

Ebara CMR

Centrifugalpumper i støbejern Åbent løbehjul

Monoblok pumpe der kan anvendes til mange forskellige formål i private, industrielle og landbrugsmæssige formål. Pumperne er forsynet med åbent løbehjul, som tillader at pumpe væsker med urenheder på op til 10 mm.



Specifikationer model CMR:

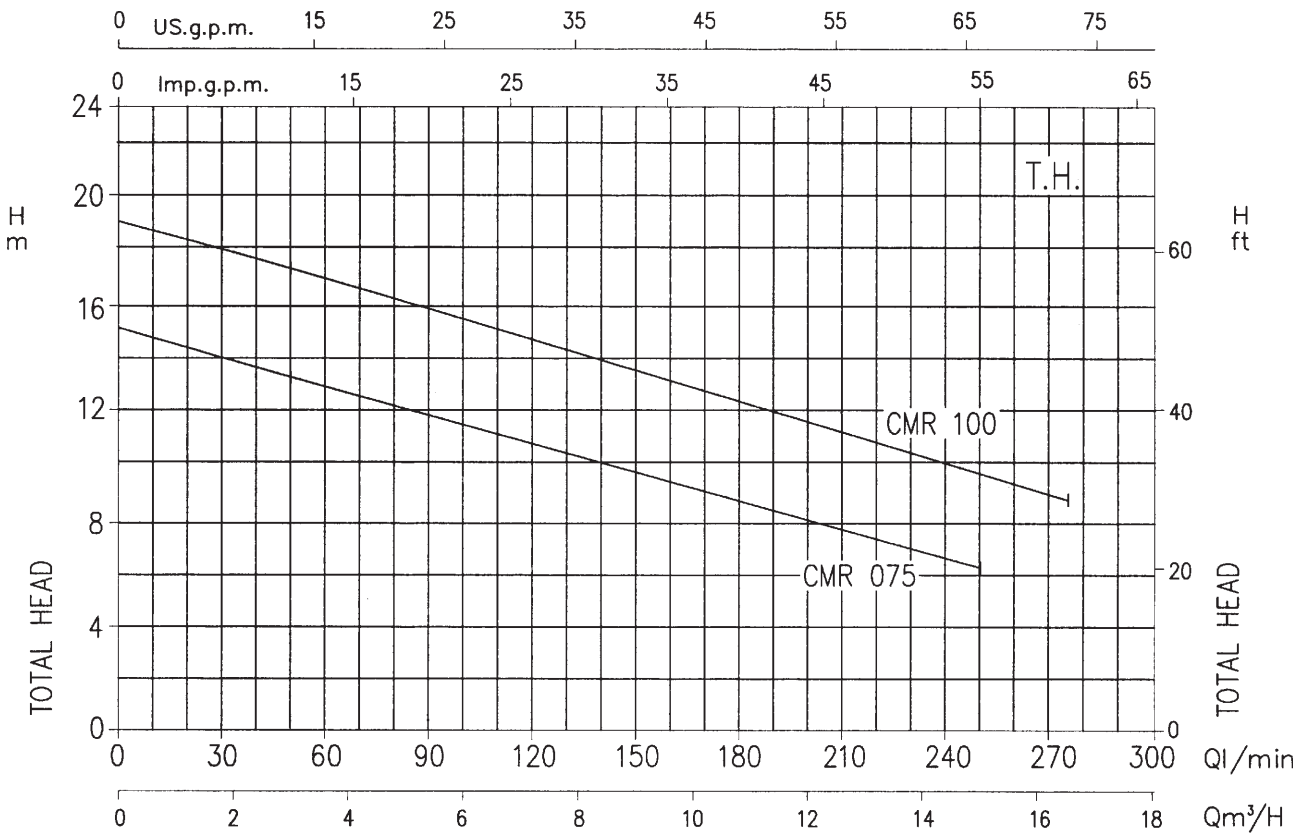
PUMP		
Liquid Handled	Type of liquid	Clean water
	Max temperature [°C]	90
	Maximum working pressure [MPa]	0.6
Construction	Impeller	Open centrifugal
	Shaft seal type	Mechanical seal
	Bearing	Sealed ball bearing
Pipe Connection	Suction	G 1½
	Discharge	G 1½
Material	Casing	Cast iron
	Impeller	Brass
	Shaft seal	Ceramic/Carbon/NBR
	Shaft	AISI 416
	Bracket	Aluminium
	Casing cover	AISI 304
Applicable standard of test		ISO 9906 – Annex A

MOTOR		
Type	Electric - TEFC	
	Single Phase	Three Phase
No. Of Poles	2	
Synchronous speed [min ⁻¹]	3000	
Insulation Class	F	
Protection degree	IP 44	
Power rating	[kW]	0.55 ÷ 0.75
	[HP]	0.75 ÷ 1
Frequency [Hz]	50 Hz	
Voltage [V]	230V ±10%	230/400 ±10%
Capacitor	Built in	-
Over load protection	Built in	Provided by the user
Casing material	Aluminium	
Base material / motor support	Cast iron / Plastic foot	
Dimensions of cable entry	PG11	



Ebara CMR

Ydelsler model CMR:



Type pumps		kW	HP	Q=Capacity				
Single phase 230 V 50 Hz	Three phase 230/400 V 50 Hz			l/min 50	100	200	250	275
				m³/h 3	6	12	15	16.5
				H=Total manometric head in meters				
CMR 0.75 M	CMR 0.75 T	0.55	0.75	13.6	11.4	8.1	6.3	-
CMR 1.00 M	CMR 1.00 T	0.75	1	17.3	15.4	11.5	9.6	8.7

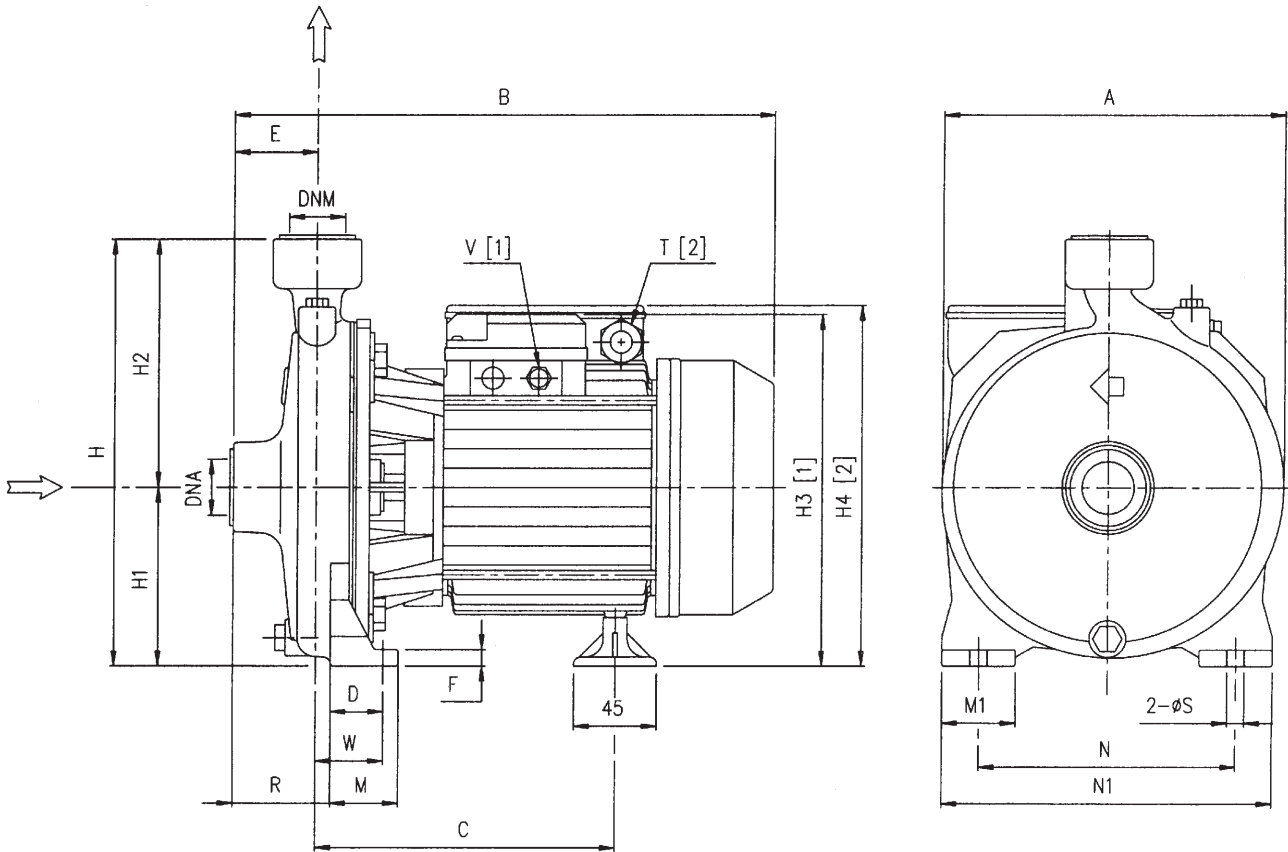
Motordata model CMR:

Type pumps		kW	HP	Locked rotor current			Capacitor		Input in [kW]	
Single phase 230 V 50 Hz	Three Phase 230/400 V 50 Hz			Single phase 230 V	Three Phase 230 V 400 V		Single phase µF	VI	Single Phase	Three Phase
CMR 0.75M	CMR 0.75T	0.55	0.75	13.3	11.2	6.5	14	450	1	0.98
CMR 1.00M	CMR 1.00T	0.75	1	20.3	15.1	8.7	20	450	1.2	1.15



Ebara CMR

Dimensioner model CMR:



[1] Only for three phase
[2] Only for single phase

Pump type	Dimensions [mm]																					
	A	B	C	D	E	F	H	H1	H2	H3	H4	M	M1	N	N1	R	T	V	W	S	DNA	DNM
CMR 0.75	180	310.3	181.8	36.8	45	9	229	97	132	197.5	198	45	40	140	180	60.5	PG11	PG11	52.3	9.5	G 1 ½	G 1 ½
CMR 1.00	180	310.3	181.8	36.8	45	9	229	97	132	197.5	198	45	40	140	180	60.5	PG11	PG11	52.3	9.5	G 1 ½	G 1 ½

