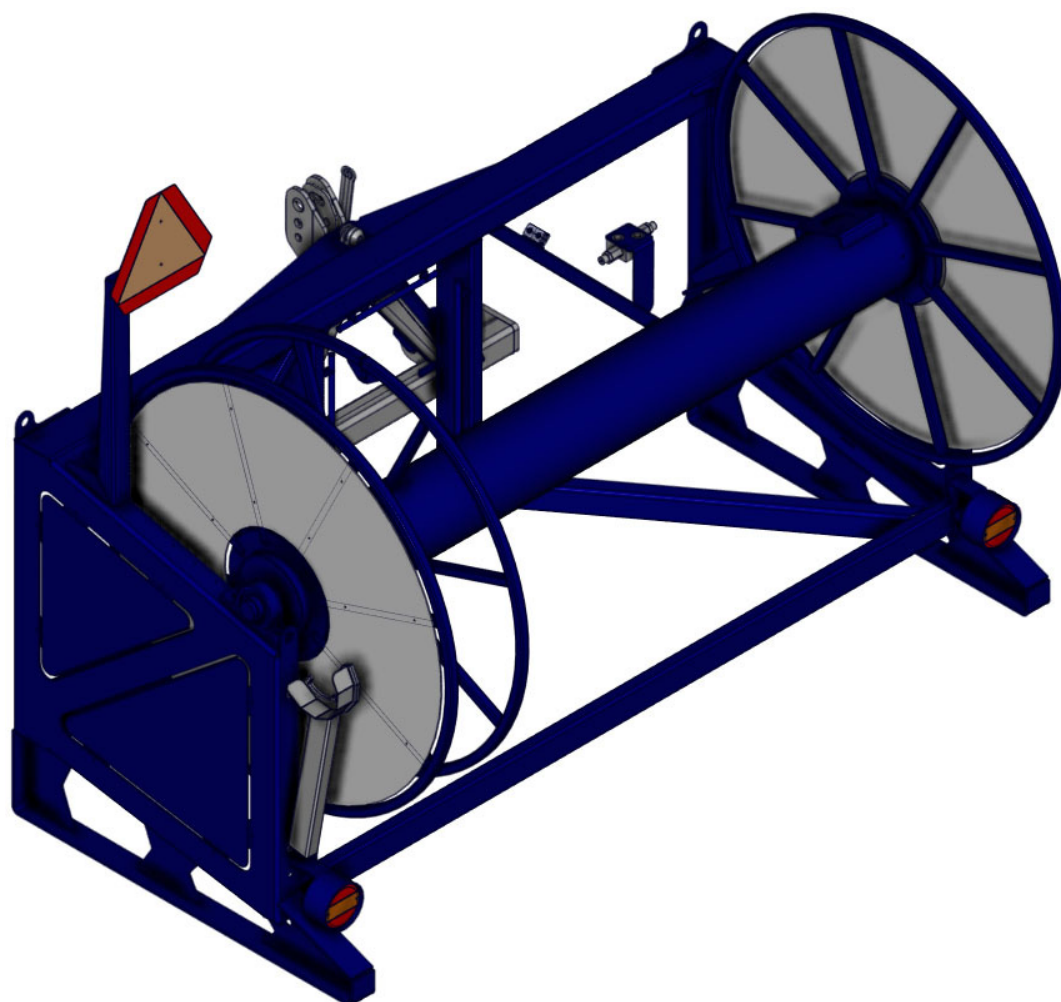


# AGM Hose Reel

Spare Parts for  
AGM Hose Reel  
Model year 2013 -



Date: 26/10-2015

**AGM Hose Reel**  
Model year 2013 -

2



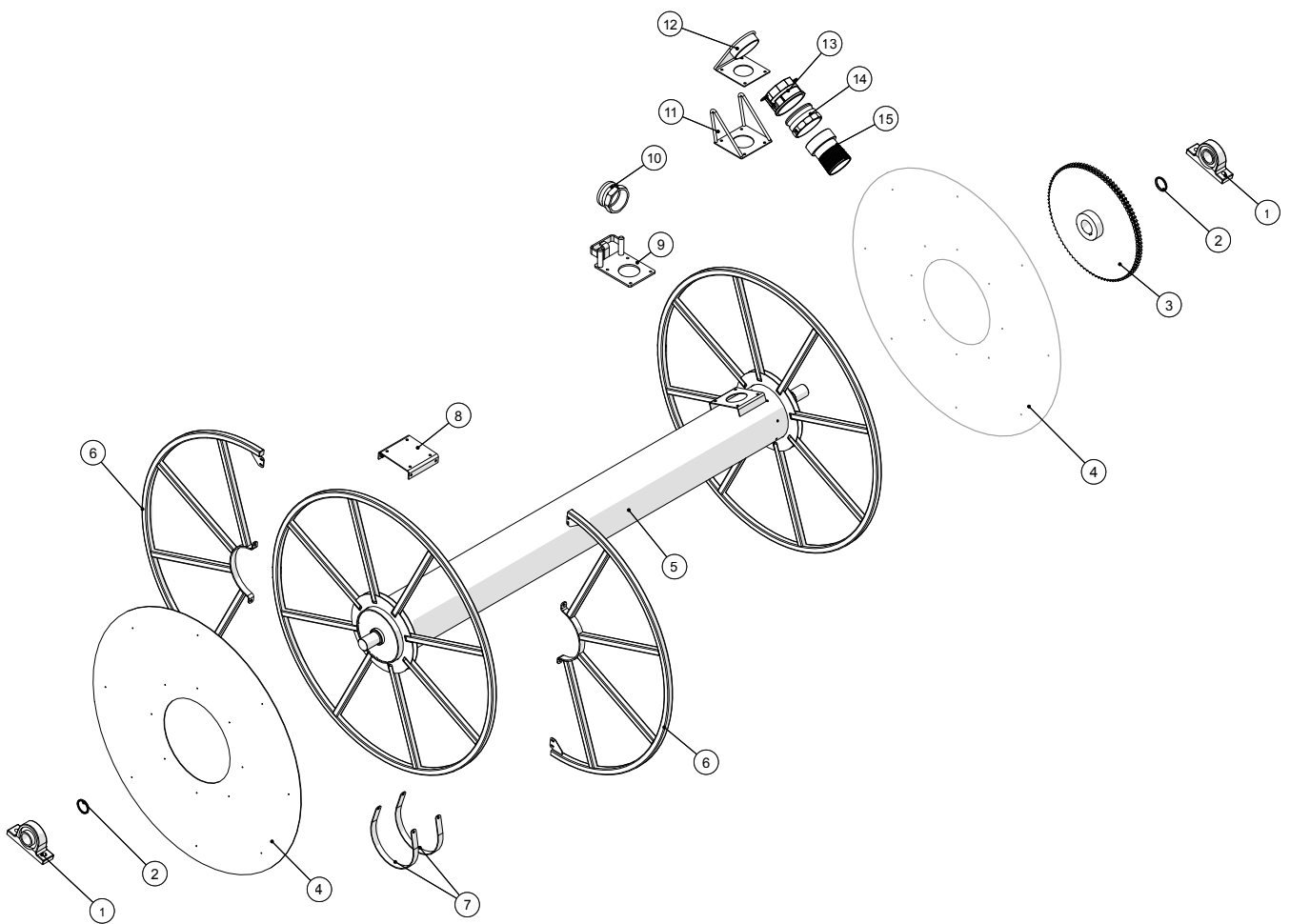
<b>AGM Hose Reel</b> Model year 2013 -	Date: 26/10-2015
	2

**Table of Contents**

<b>Hose reel</b> .....	3
<b>Frame</b> .....	4
<b>Chain drive 2013-2015</b> .....	5
<b>Chain drive 2015-</b> .....	6



**Hose reel**

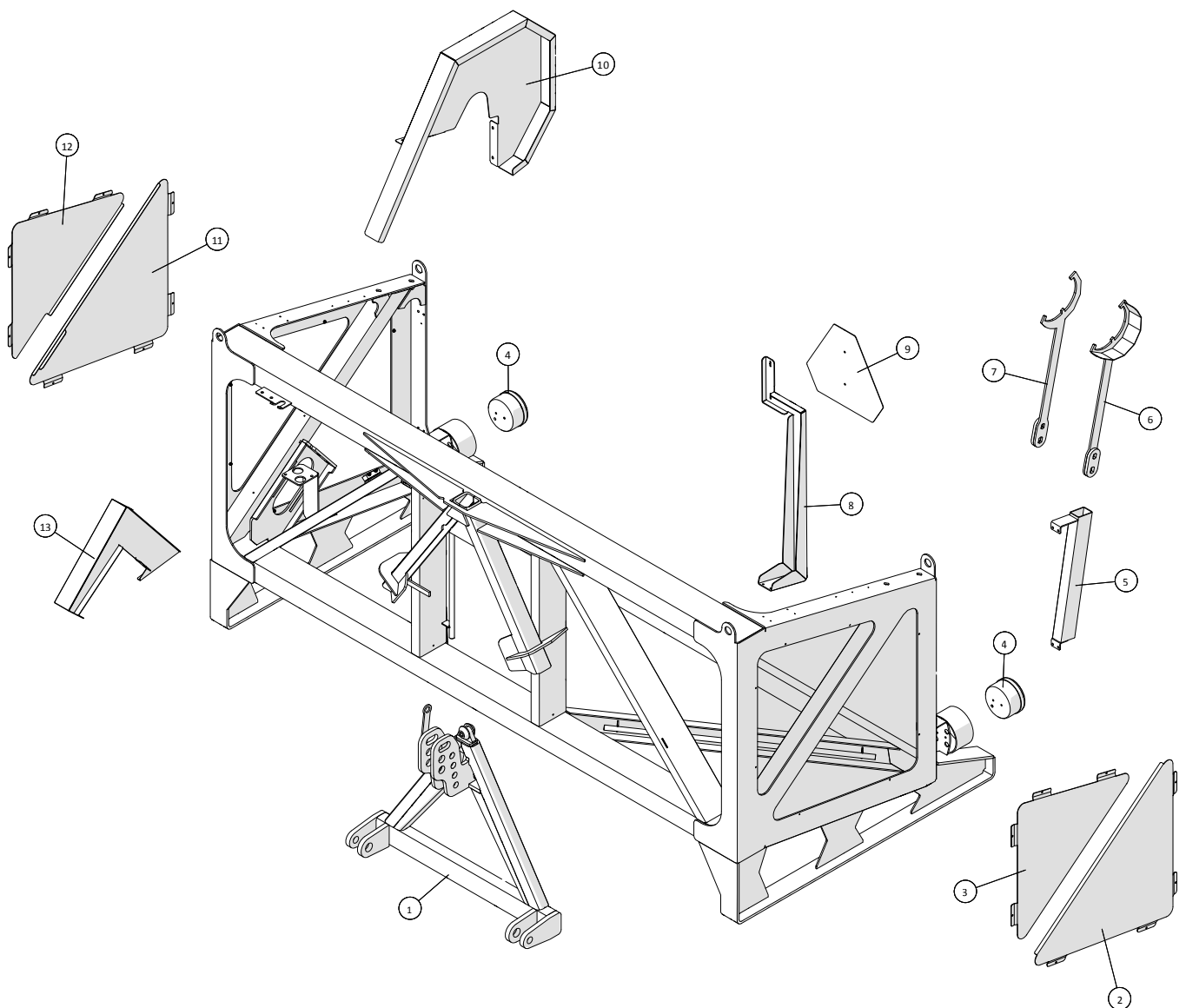


<b>AGM Hose Reel</b> Model year 2013 -	Date: 26/10-2015
	3

Hose reel				
Pos. no.	Item no.	Pcs.	Description	Note
1	193100212	2	Plummer Block bearing 60mm	
2	25041043	2	Centering Ring	
3	25040162	1	Sprocket duplex ¾" z=95	
4	25041406	2	Cover for hose reel	
5	25041400	1	Hose reel	
6	25041420	2	Divider for hose reel	
7	25041425	2	Clamp for coupling bracket	
8	25041424	1	Base plate for coupling bracket	
9	25041427	1	Bracket for Camlock coupling male 4"	
10	14191350	1	Camlock coupling male w/BSP 4"	
11	25041410	1	Bracket for Storz 6"	
12	25041426	1	Bracket for Camlock coupling female 5"	
13	14191255	1	Camlock coupling female w/BSP (Type D) 5"	
14	14191355	1	Camlock coupling male w/BSP 5"	
15	16150530-01	1	Hose connector 5"x5" BSP	



**Frame**



**AGM Hose Reel**  
Model year 2013 -

Date: 26/10-2015

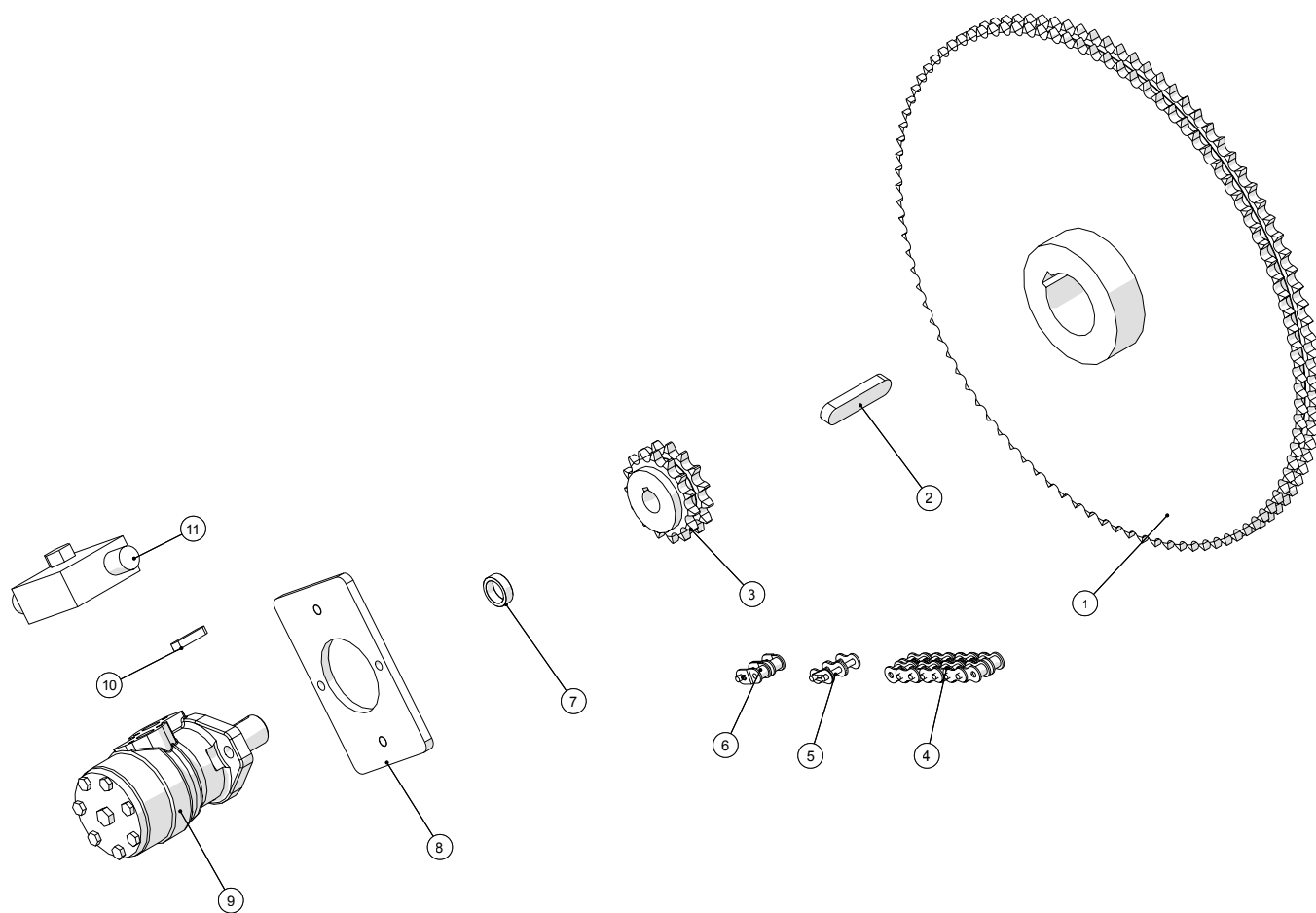
4

**Frame**

Pos. no.	Item no.	Pcs.	Description	Note
1	25041250	1	A-frame	
2	25041029	1	Cover for frame	
3	25041063	1	Cover for frame	
4	1229140075	2	Tail light LED Stop/blink	
5	25041180	1	Bracket for tools	
6	25032475	1	Wrench for Storz coupling shielded	
7	25032474	1	Wrench for Storz coupling unshielded	
8	25041069	1	Bracket for warning triangle	
9	20141020	1	Warning triangle	
10	25041064	1	Chain guard	
11	25041068	1	Cover for frame	
12	25041028	1	Cover for frame	
13	25041166	1	Chain guard	



**Chain drive 2013-2015**



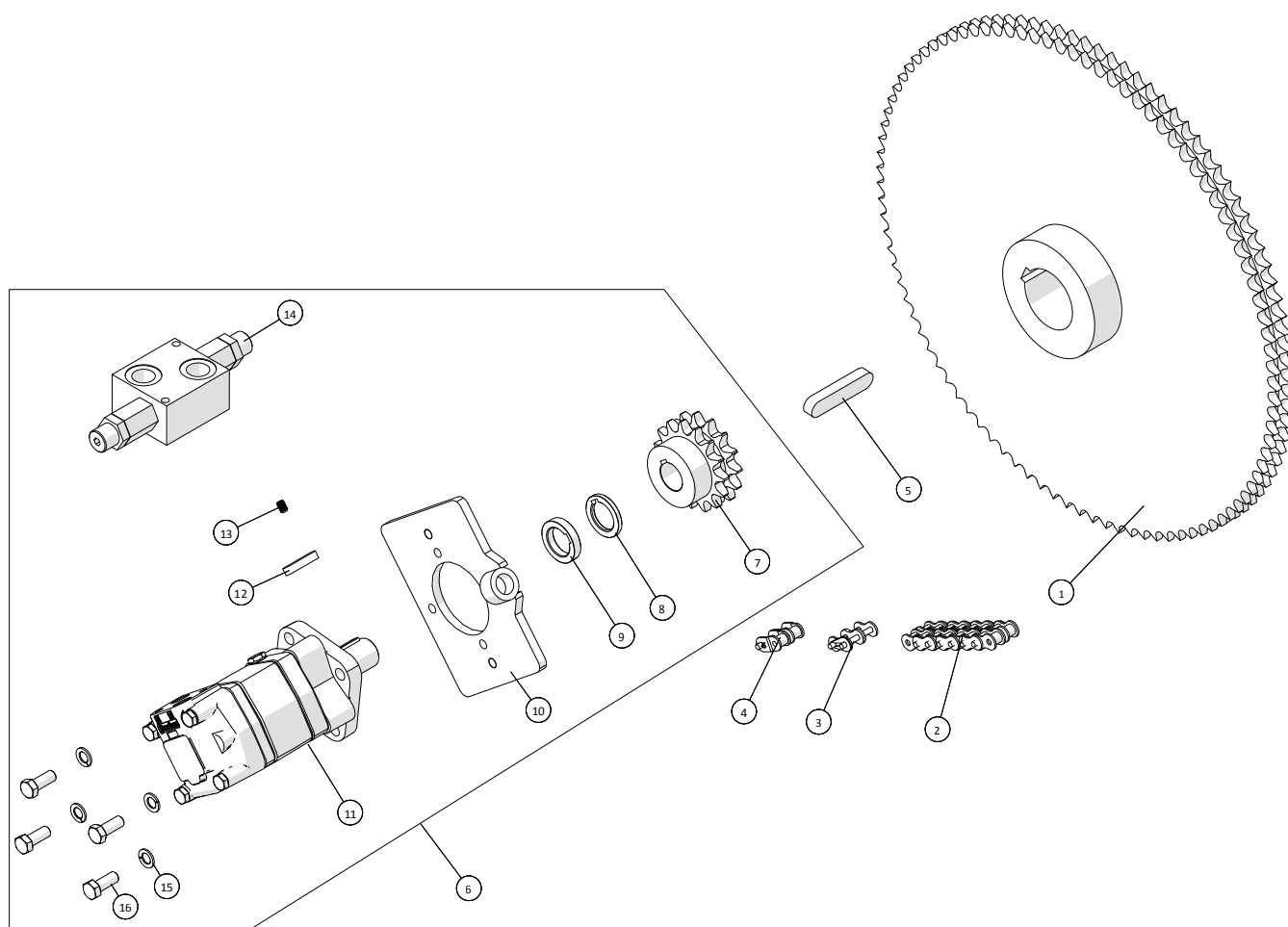


<b>AGM Hose Reel</b> Model year 2013 -	Date: 26/10-2015
	5

<b>Chain drive 2013-2015</b>				
Pos. no.	Item no.	Pcs.	Description	Note
1	25040162	1	Sprocket duplex ¾" z=95	
2	15140038020090	1	Feather key A20x10x90	
3	25040161	1	Hub sprocket duplex ¾" z=15	
4	153519112-1	1	Roller chain duplex ¾"	
5	153519112-11	1	Closing links duplex ¾"	
6	153519112-12	1	Closing links cranked duplex ¾"	
7	25041065	1	Distance bush for hydraulic engine	
8	25041067	1	Plate for engine	
9	25010251	1	Oil Engine MRN315	
10	15140038010045	1	Feather key A10x8x45	
11	2514702047	1	Shock valve VAA/RU/DF-12 OMR/OMS	



**Chain drive 2015-**



<b>AGM Hose Reel</b> Model year 2013 -	Date: 26/10-2015
	6

<b>Chain drive 2015-</b>				
Pos. no.	Item no.	Pcs.	Description	Note
1	25040162	1	Sprocket duplex ¾" z=95	
2	153519112-1	1	Roller chain duplex ¾"	
3	153519112-11	1	Closing links duplex ¾"	
4	153519112-12	1	Closing links cranked duplex ¾"	
5	15140038020090	1	Feather key A20x10x90	
6	25041440	1	Engine Spare part Kit	
7	25041441	1	Sprocket duplex ¾" z=15	
8	25041445	1	Distance bush - 5mm	Only used with 50mm sprocket
9	25041442	1	Distance bush	Only used with 40mm sprocket
10	25041067	1	Plate for engine	
11	1363151F0506	1	Engine OMS315	
12	23574120	1	Feather key A10x8x45	
13	15140039000008	1	Hex socket set screw M8x12	
14	2514702045	1	Double shock valve	
15	132601112	4	Washer 12mm	
16	132612030	4	Hex head screw M12x30	

