



Agrometer a/s

Fælledvej 10
DK - 7200 Grindsted
Postbox 89
Tel.: +45 76 72 13 00
Fax +45 76 72 13 98

Self-propelled Slurry Distributor With belt driven hose reel

**Spare Parts for
SDS 7000
Model year 2007 - 2012**



Agrometer a/s

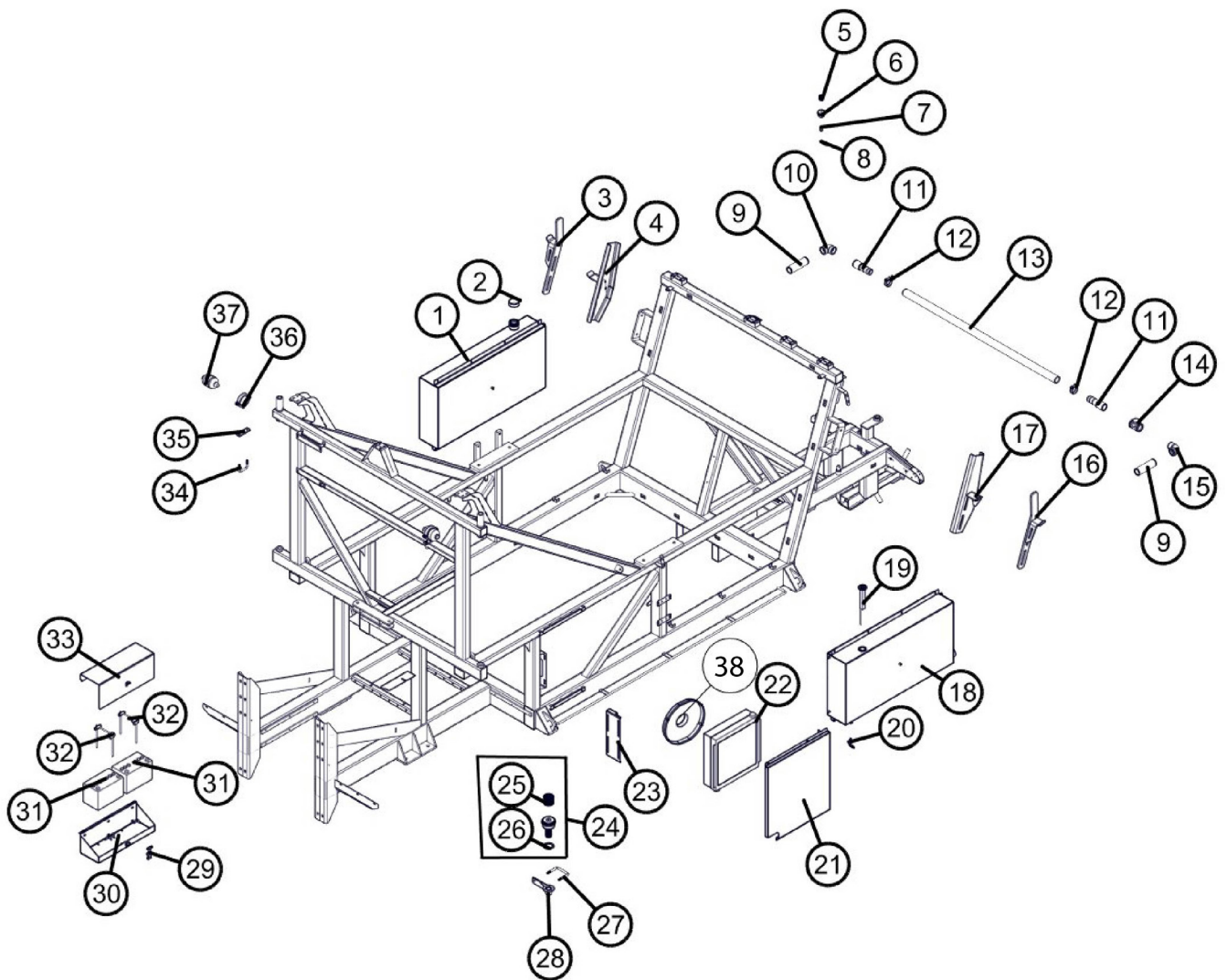
Table of Contents

Air conditioning	26
Air intake and Exhaust.....	32
Automatic Steering.....	42
Cabin, Door – left.....	98
Cabin, Door – left.....	100
Cabin, Door – right.....	94
Cabin, Lights.....	104
Cabin, Windscreen washer – left.....	102
Cabin, Windscreen washer – right.....	96
Cabin, Windshield and wiper.....	92
Cable trays.....	12
Connection pipes (2010 and earlier).....	58
Connection pipes (2011 and later).....	60
Console for drivers cabin.....	24
Covers, rear.....	10
Dashboard.....	28
Diesel tanks.....	6
Distributor - DOSIMAT.....	132
Drawbar.....	54
Engine.....	14
Engine consol.....	20
Engine consol.....	22
Engine parts.....	18
Flow control.....	134
Foot brake.....	116
Front axle.....	38
Gearbox housing.....	82
Gearbox housing.....	84
Gear console.....	118
Hose assembly.....	56
Hose guide, outer.....	50
Hose guide rollers.....	52
Hose guide, top 4”.....	44
Hose guide, top 4½”.....	46
Hose guide, top 5”.....	48
Hose rack below cabin.....	34
Hose reel.....	72
Hydraulic pipes.....	76
Hydraulic tank.....	30
Linde engine.....	86
Mudguard.....	8
New Holland steering axle (2010 and earlier).....	136
New Holland steering axle (2010 and earlier).....	138
New Holland steering axle (2010 and earlier).....	140



New Holland steering axle (2010 and earlier)	142
New Holland steering axle (2010 and earlier)	144
New Holland steering axle (2010 and earlier)	146
New Holland steering axle (2010 and earlier)	148
New Holland steering axle (2010 and earlier)	150
New Holland steering axle (2010 and earlier)	152
Passenger seat	130
Radiator	16
Railing.....	106
Ranging Pole.....	80
Rear light / Side marker	36
Relief valve (2011 and earlier)	68
Relief valve (2011 and later).....	70
S.A.H.R Brake	74
Seat	120
Seat.....	122
Seat, Armrest	128
Seat, Suspension.....	124
Seat, Suspension.....	126
Sponge trap.....	62
Steering axel	40
Steering column	110
Steering Column, Cable set.....	114
Steering Column, Casing.....	112
Swivel Joint (2010 and earlier)	64
Swivel Joint (2010 and later)	66
Telescopic mirror arm	108
Wheel Gear Housing	88
Wheel Gear Housing	90
Wheels	78

Diesel tanks



Self-propelled Slurry Distributor SDS7000
Model year 2007 - 2012

Date: 13/8-2013

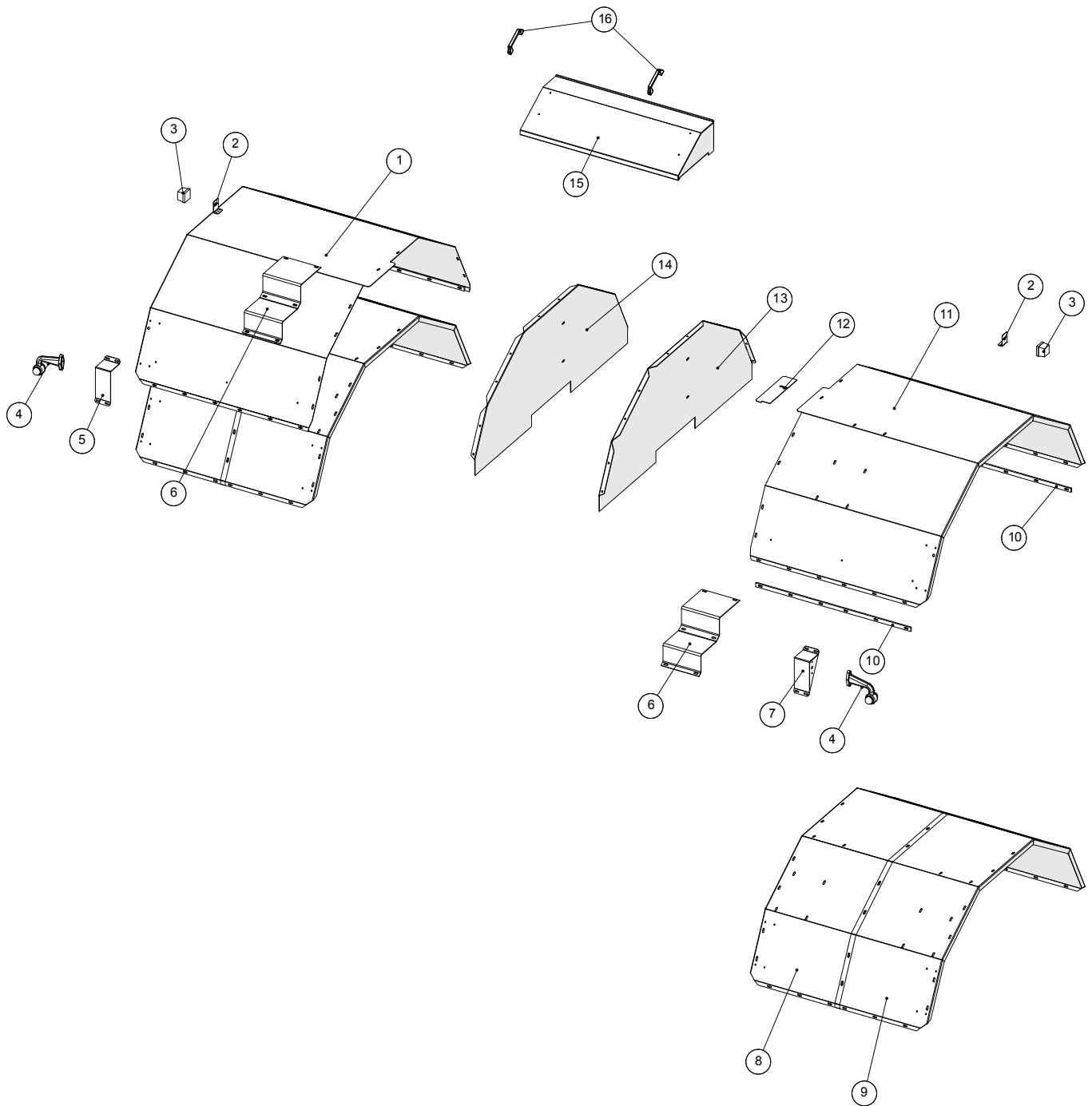
Page 5

Diesel tanks

Pos. no.	Item no.	Pcs.	Description	Note
1	251476330601	1	Right diesel tank	
2	2514850509	1	Tank cover	
3	251476636521	1	Consol for dribble bar, right	24m dribble bar
4	251476801880	1	Consol for dribble bar, right	30m dribble bar
5	2514850083	2	Element for airfilter ¼"	2011 and earlier
5	2514850080	2	Element for airfilter ½"	2011 and later
6	2514850082	2	Airfilter for dieseltank ¼"	2011 and earlier
6	2514850084	2	Airfilter for dieseltank ½"	2011 and later
7	50501162	2	High pressure socket ¼"	2011 and earlier
7	503038089	2	High pressure socket L15x½"	2011 and later
8	251476801033	1	Bracket for mounting of diesel tank exhaust	
9	251476641511	2	Nozzle for diesel fuel	
10	000090112	1	Elbow 90° No.90 black 2"	
11	251476641460	2	Pipe for Diesel tank	
12	16200716	2	Straps 60-63mm	
13	2112811-32	1	Rubber hose NBR 2"	
14	13150005	1	Contra valve w. clap	
15	000092412	1	Elbow 90° No.92 galvanized 2"	
16	251476636522	1	Dribble bar consol, left	24m dribble bar
17	251476801877	1	Dribble bar consol, left	30m dribble bar
18	251476330602	1	Left diesel tank	
19	2514850081	1	Tank gauge	
20	13100061	1	Ball valve socket/nipple ¼"	
21	251476331421	1	Plate for oil cooler	
22	2514702297	1	Air/oil cooler	
23	251476693790	1	Bracket for propulsion oil cooler	
24	2514851243	1	Air filter	
25	2514851244	1	Air filter, hydraulic element	
26	2514851245	1	Gasket	
27	251476634940	1	U-bracket	
28	251476658522	1	Bracket	
29	2514850585-4	1	Rubberstrap for rubber bonnet holder	
30	251476330590	1	Battery box	
31	2514850297	2	Battery 12V-95A	
32	251476636540	2	Battery bracket complete	
33	251476802198	1	Battery box cover	
34	251476700940	2	U-Bracket for 50x80 profil	
35	251476801086	2	Plate for holder on gas accumulator	
36	103804943	2	Pipe bracket w/M10 galvanized 84-92mm	
37	2514851355	2	Accumulaor	



Mudguard



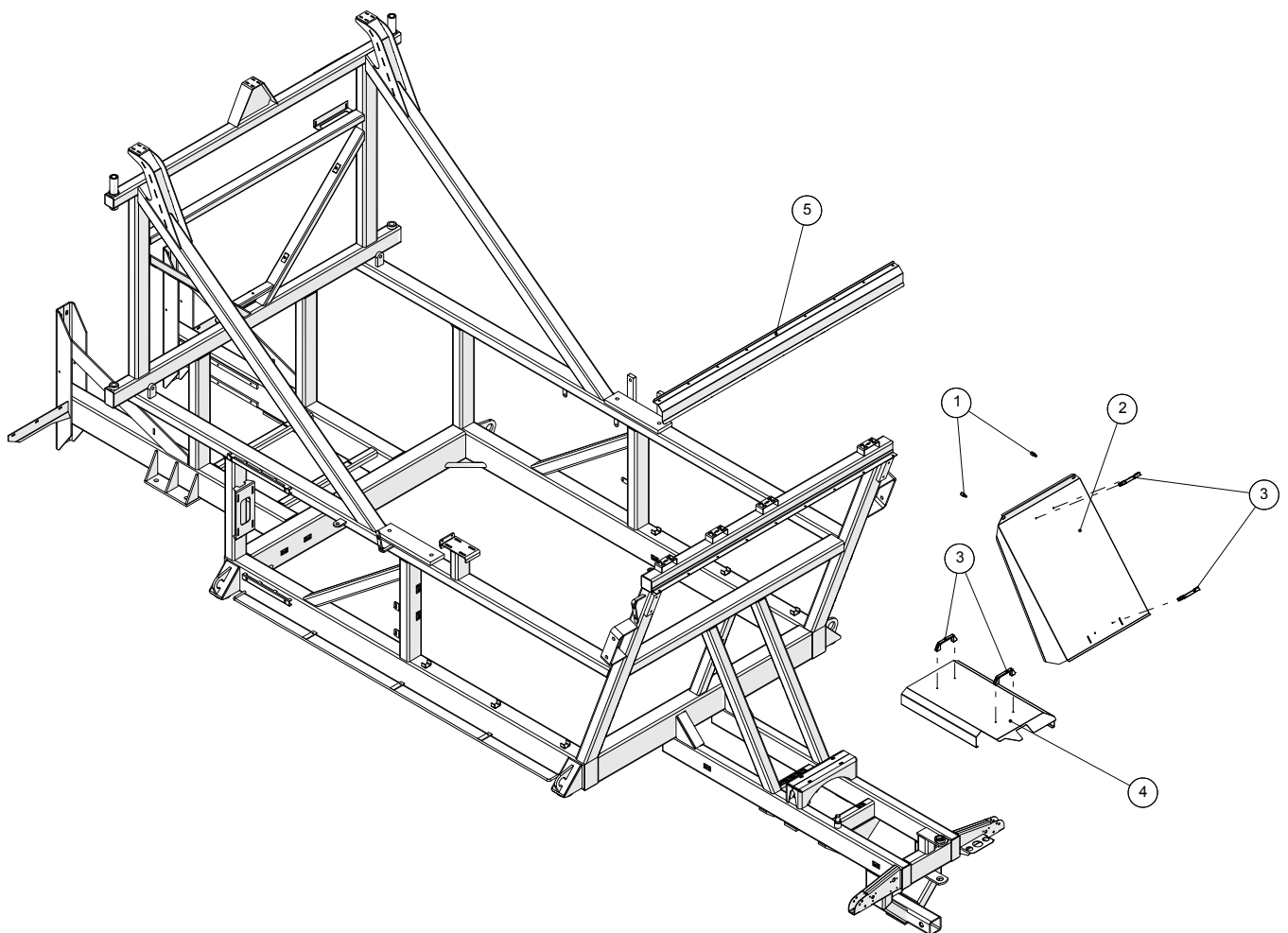
Self-propelled Slurry Distributor SDS7000
Model year 2007 - 2012

Date: 13/8-2013

Page 7

Mudguard				
Pos. no.	Item no.	Pcs.	Description	Note
1	251476801273	1	Right front mudguard	2010 and later
2	251476641050	2	Light bracket for side marker	Location in 2011 and earlier
3	1229140050	2	Side marker yellow	Location in 2011 and earlier
4	1229140055	2	End outline marker complete	
5	251476637511	1	Console for end outline marker L	
6	251476331000	2	Plate for ladder	
7	251476637512	1	Console for end outline marker R	
8	251476220082	1	Inner mudguard	2009 and earlier
9	251476220081	1	Inner mudguard	2009 and earlier
10	251476634040	4	Rail front	
11	251476801274	1	Left front mudguard	2010 and later
12	251476639190	2	Bracket for plate for valve block	2011 and earlier
13	251476330242	1	Left inner mudguard	
14	251476330241	1	Right inner mudguard	
15	251476331400	1	Cover for PVG valve	
16	2514803066	2	Handle	

Covers, rear



Self-propelled Slurry Distributor SDS7000
Model year 2007 - 2012

Date: 13/8-2013

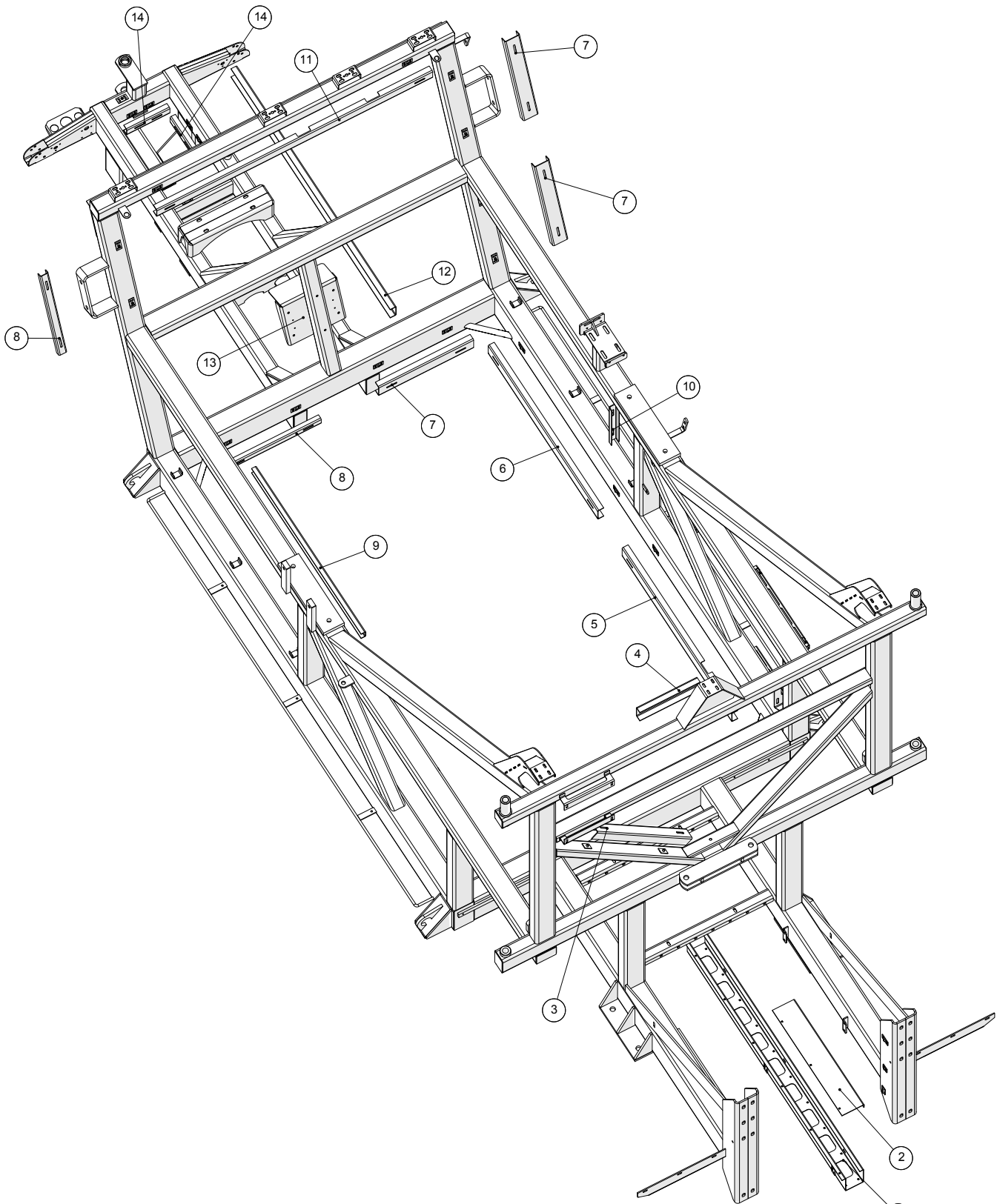
Page 9

Covers, rear

Pos. no.	Item no.	Pcs.	Description	Note
1	251476801027	2	Nut for electrical box cover	
2	251476220240	1	Cover plate for rear subframe	
3	2514803066	4	Handle	
4	251476801090	1	Cover over rear subframe	
5	251476801208	1	Cover plate for worm shaft	



Cable trays



Self-propelled Slurry Distributor SDS7000
Model year 2007 - 2012

Date: 13/8-2013

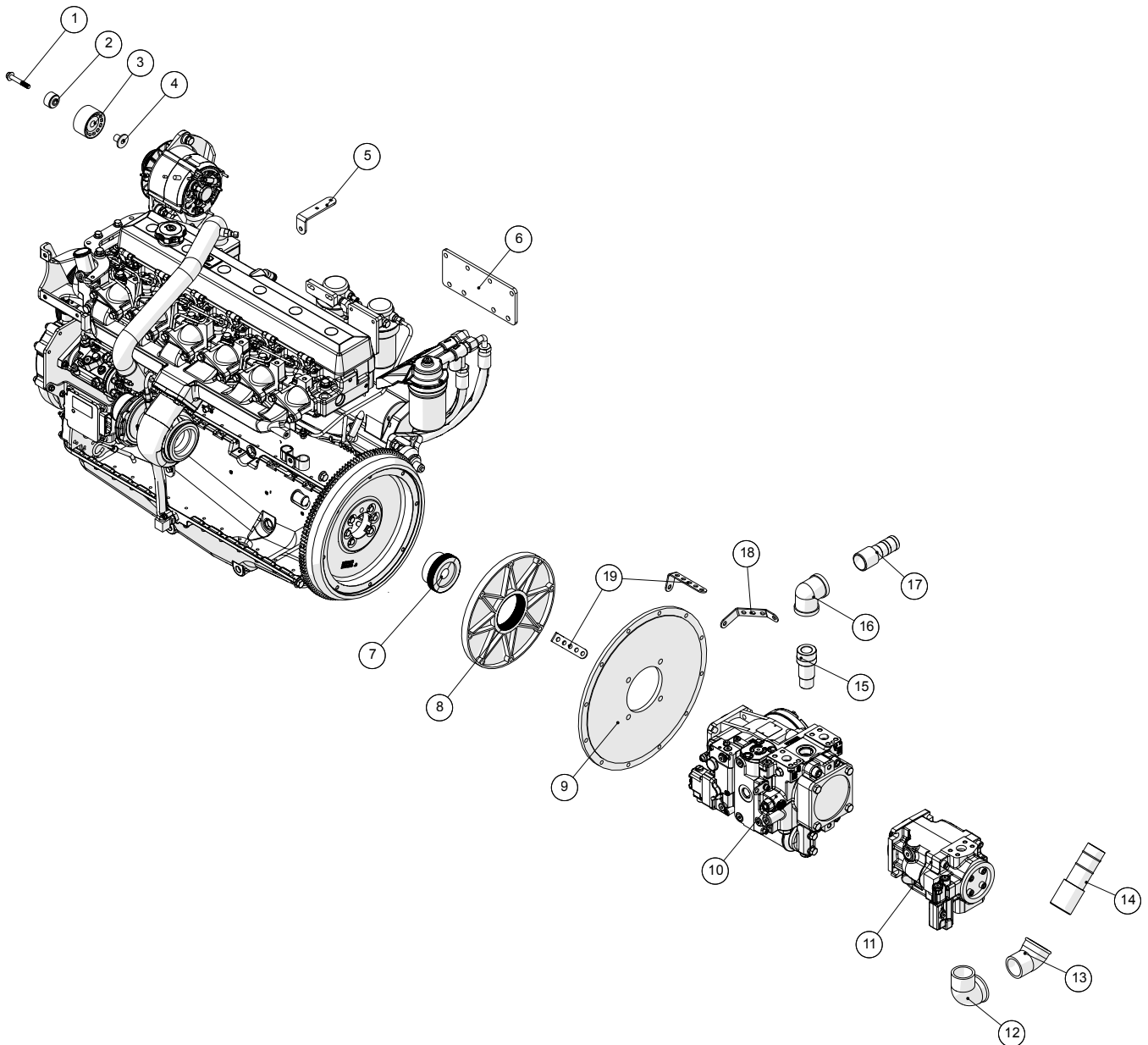
Page 11

Cable trays

Pos. no.	Item no.	Pcs.	Description	Note
1	251476801370	1	Cable tray	
2	251476801136	1	Top plate for cable tray	
3	251476801361	1	Cable holder 775mm	
4	251476801356	1	Cable holder 350mm	
5	251476801354	1	Cable holder 1100mm with holes	
6	251476801353	1	Cable holder 1100mm	
7	251476801355	3	Cable holder 550mm	
8	251476801358	2	Small Cable holder 550mm	
9	251476801359	1	Small Cable holder 1100mm	
10	251476801360	1	Small Cable holder 350mm	
11	251476801357	1	Cable holder 1600mm with holes	
12	251476801352	1	Cable holder 1600mm	
13	251476331050	1	Backplate for electrical box	
14	251476801362	2	Small Cable holder 250mm	



Engine



Self-propelled Slurry Distributor SDS7000
Model year 2007 - 2012

Date: 13/8-2013

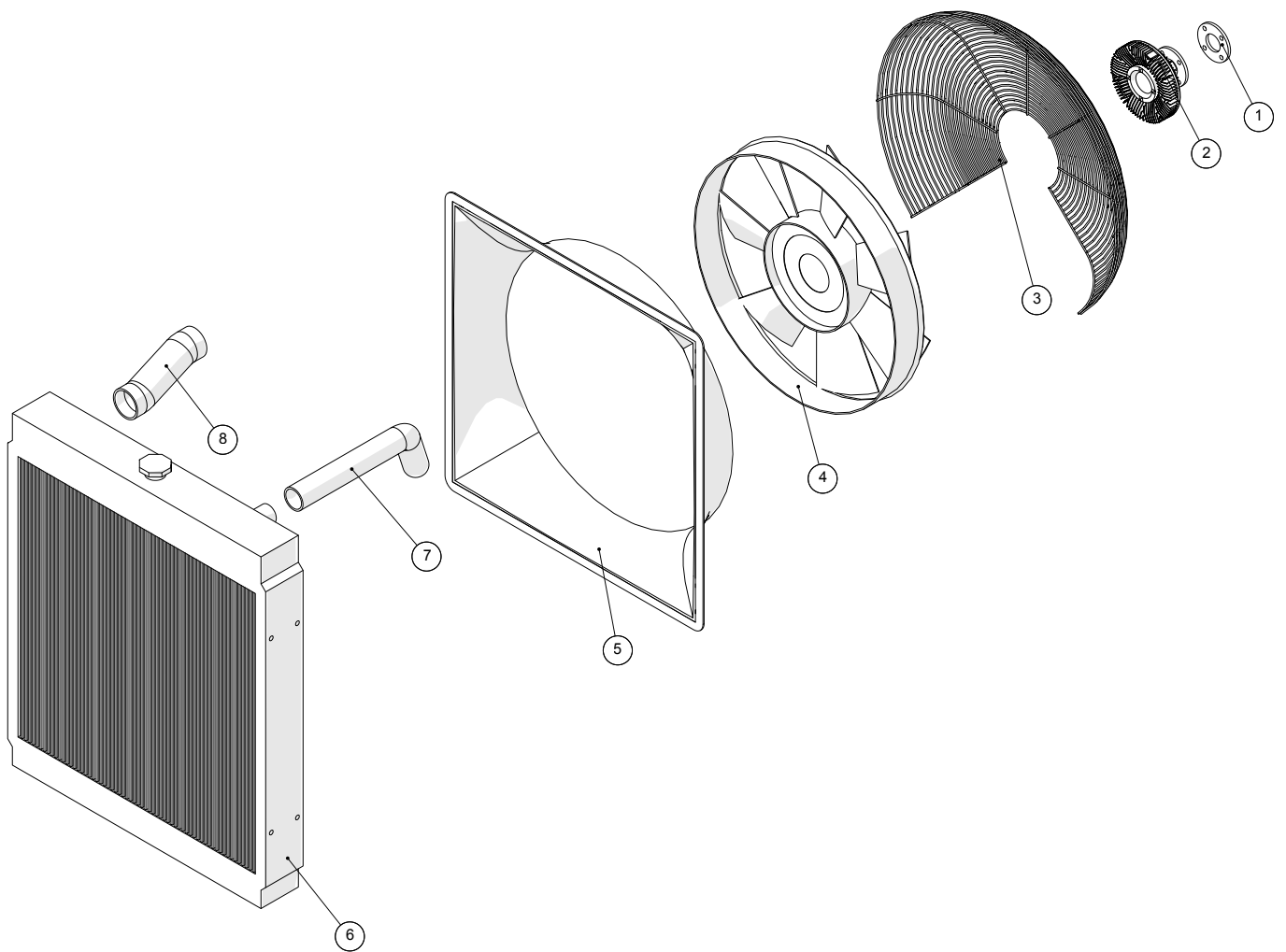
Page 13

Engine

Pos. no.	Item no.	Pcs.	Description	Note
1	2514850568	1	Bolt for tension pulley	
2	2514850565	1	Distance bush for tension pulley	
3	2514850566	1	Tension pulley	
4	2514850567	1	Bush for tension pulley	
5	251476801316	1	Bracket for charge relay	
6	251476801088	1	Bracket for diesel filter	
7	2514850605	1	Coupling hub z38/z23 16/32DB	
8	2514850604	1	Nylon flange	
9	2514850623	1	Coupling flange	
10	2514851474	1	Pump CW 90R100 Propulsion	
11	13637003080	1	Pump JR-R-075C LS-25-20 – working hydraulics	
12	000092112	1	Elbow 90° No.92 black 2"	
13	000121112	1	Elbow 45° No.121 black 2"	
14	14380045-1	1	50mm x 2" hose stub w/BSP	
15	251476692290	1	Pipes for propulsion pump	
16	000090111	1	Elbow 90° No.92 black 1½"	
17	14380042-1	1	38mm x 1½" hose stub w/BSP	
18	251476801078	1	Cable holder engine room	
19	251476801077	2	Cable holder engine room	



Radiator



Self-propelled Slurry Distributor SDS7000
Model year 2007 - 2012

Date: 13/8-2013

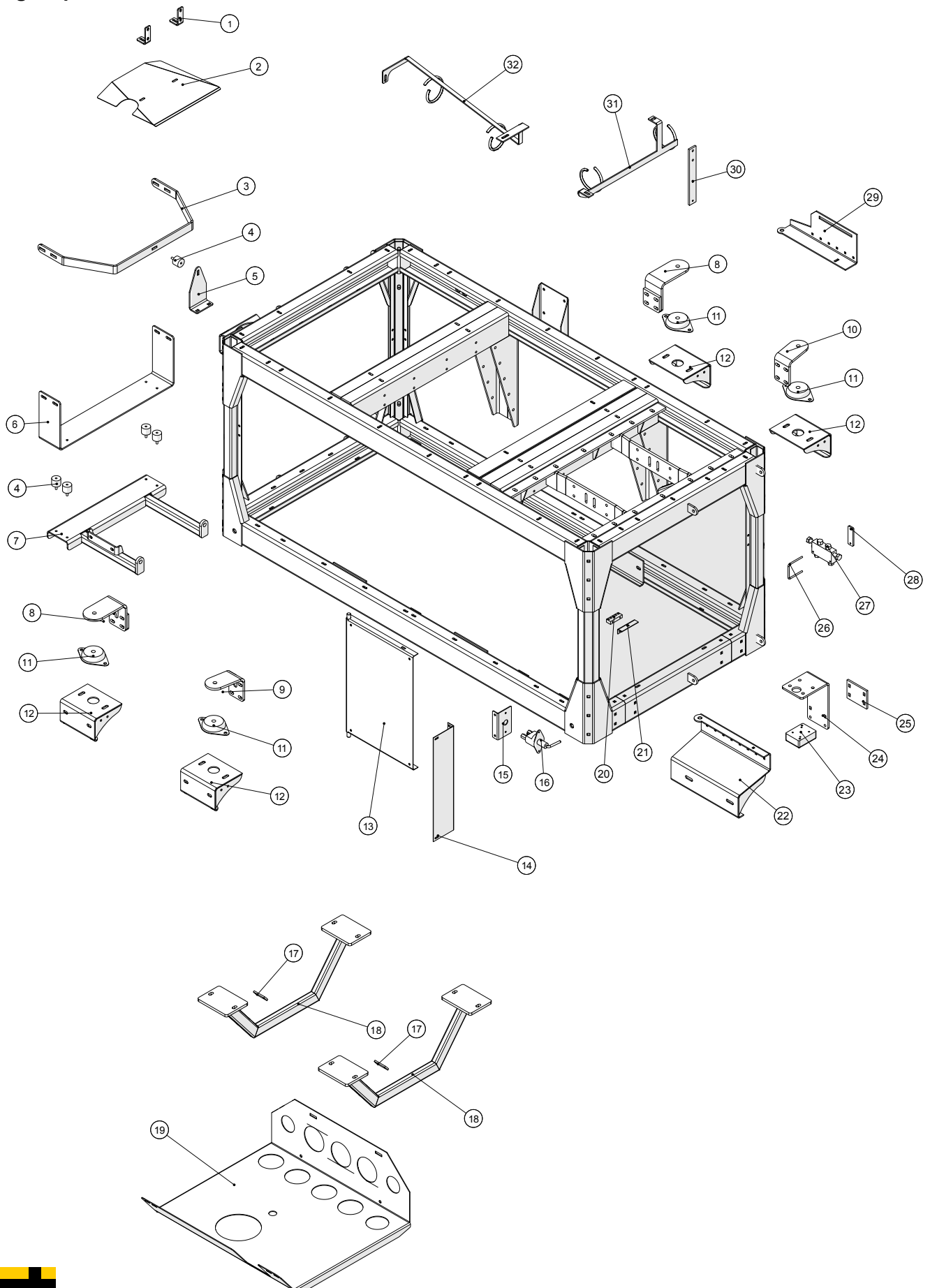
Page 15

Radiator

Pos. no.	Item no.	Pcs.	Description	Note
1	251476804457	1	Spacer for visco coupling on cooler	
2	2514850351	1	Visco coupling	
3	2501RE57059	1	Wire shielding	
4	2501L79028	1	Fan	
5	2501006RE64114	1	Shielding casted	
6	2514850556	1	Radiator	
7	2514850310	1	Radiator hose, JD, return	
8	2514850311	1	Radiator hose, JD, pressure	



Engine parts



Self-propelled Slurry Distributor SDS7000
Model year 2007 - 2012

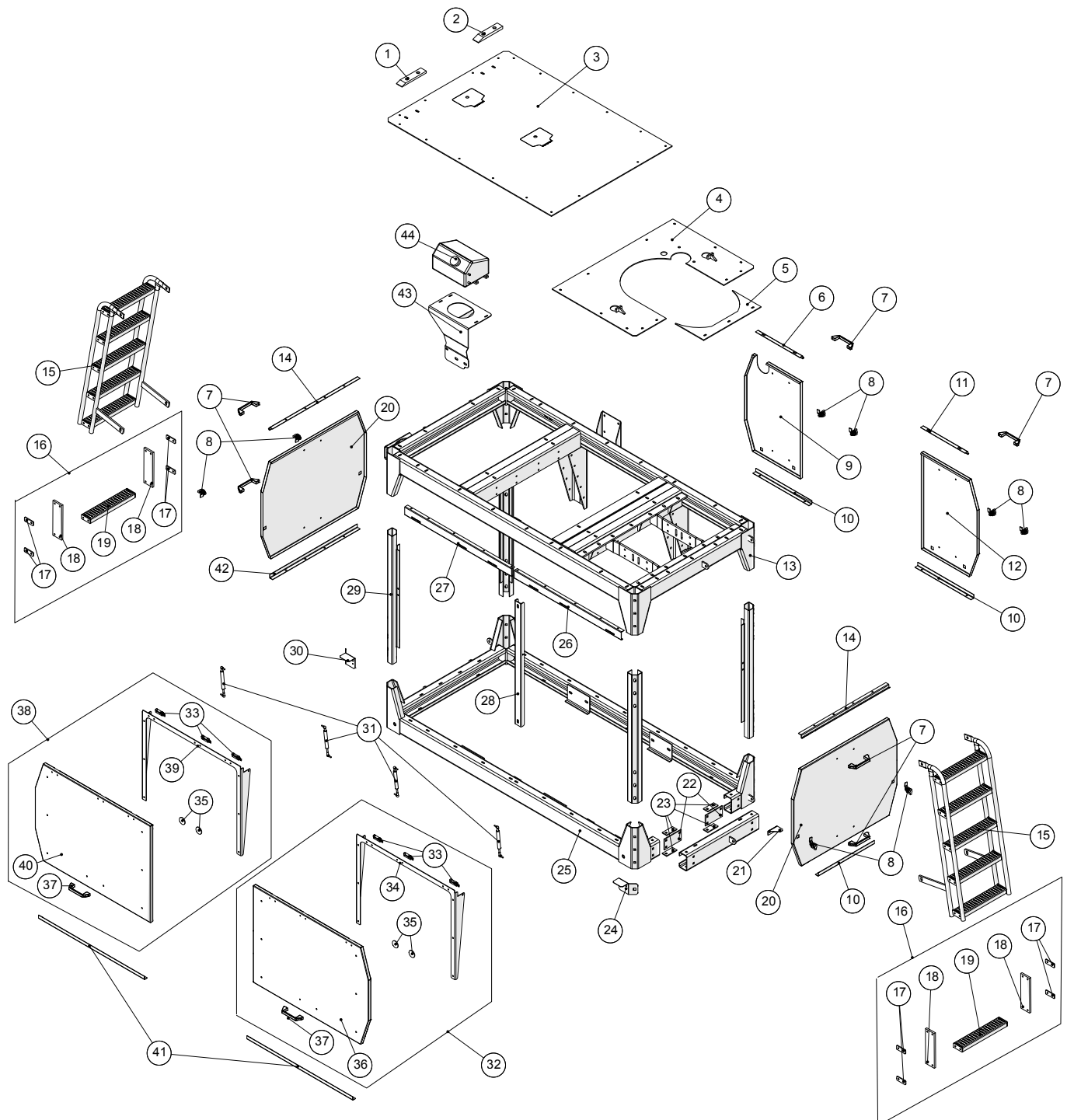
Date: 13/8-2013

Page 17

Engine parts

Pos. no.	Item no.	Pcs.	Description	Note
1	251476801392	2	Bracket for cooling air plate	
2	251476801391	1	Plate for cooling air	
3	251476801048	1	Plate for radiator	
4	2514850312	5	Vibration absorber	
5	251476801047	1	Plate for top radiator bracket	
6	251476801037	1	Radiator bracket	
7	251476801035	1	Radiator bracket	
8	251476643010	2	Engine suspension	
9	251476643001	1	Rear engine suspension	
10	251476643002	1	Rear engine suspension	
11	2514850203	4	Vibration absorber	
12	251476642960	4	Engine suspension	
13	251476801059	1	Back panel for electrical box	
14	251476801129	1	Plate for relays in el-box in engine room	
15	251476801130	1	Bracket for main switch	
16	2514862521	1	Main switch	
17	251476406370	2	Clamp bracket	
18	251476643030	2	Brace	
19	251476692180	1	Protection plate under engine consol	
20	251476801076	1	Manifold for central lubrication hose	
21	251476801079	1	Bracket for central lubrication hose	
22	251476801065	1	Base plate	
23	2514702310	1	Filter PI3615-11+PI3115 SMX10	
24	251476639680	1	Consol for hydraulic oil pressure filters	
25	251476801095	1	Universal clamp for engine consol	
26	251476801343	1	Clamp	
27	2514702393	1	Safety valve 3/8" double	
28	251476801344	1	Bracket	
29	251476801064	1	Top bracket for swing el-box in engine room	
30	251476801101	1	Bracket for cable tray in engine room	
31	251476801114	1	Cable bracket in engine compartment	
32	251476702630	1	Hose bracket in engine compartment	

Engine consol



Self-propelled Slurry Distributor SDS7000

Model year 2007 - 2012

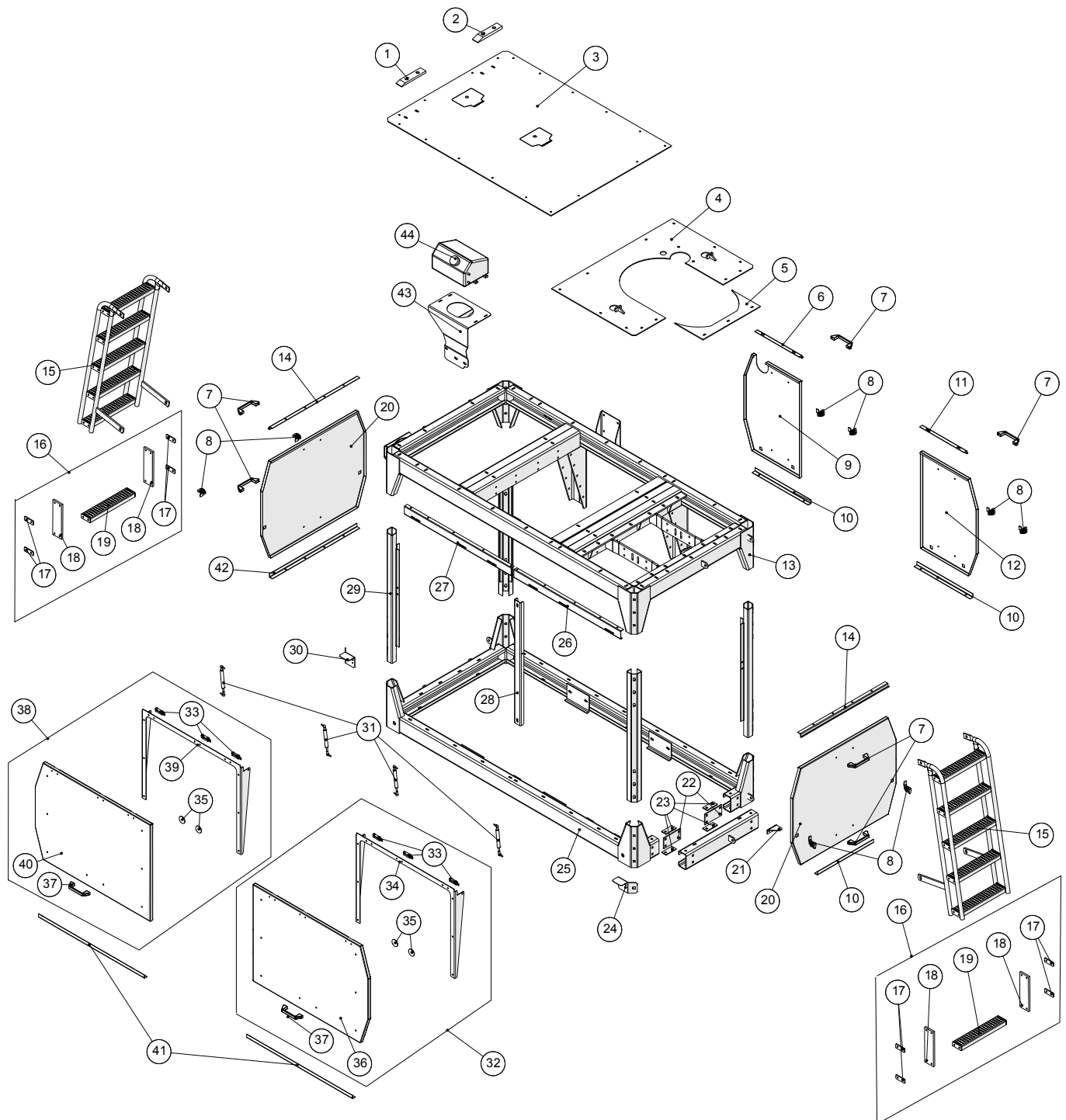
Date: 13/8-2013

Page 19

Engine consol

Pos. no.	Item no.	Pcs.	Description	Note
1	251476640560	1	Rail for support roller	
2	251476640550	1	Rail for support roller	
3	251476330690	1	Top plate engine compartment	
4	251476801226	1	Top plate engine consol	
5	251476801228	1	Plate for engine compartment	
6	251476801099	1	Top rail by inlet	
7	2514803066	6	Handle	
8	2514850241	8	T-Handle	
9	251476331062	1	Rear plate for engine consol	
10	251476639060	3	Lower rear cover rail	
11	251476639050	1	Top cover rail for engine consol	
12	251476331061	1	Rear plate for engine consol	
13	251476106440	1	Top engine consol	
14	251476639020	2	Top cover rail for engine consol	
15	251476636331	2	Ladder	
16	251476802166	2	Extra step	
17	251476802164	8	Clamping plate for extra step	
18	251476802163	4	Side for extra step	
19	251476802165	2	Plate for extra step	
20	251476331040	2	Side cover	
21	251476639761	1	Angle bracket for gas cylinder for engine plate	
22	251476801306	2	Large connection plate	
23	251476801305	4	Small connection plate	
24	251476640062	1	Bracket for light	
25	251476106450	1	Engine consol	
26	251476639032	1	Top cover rail for engine consol	
27	251476639031	1	Top cover rail for engine consol	
28	251476637420	1	Upright for engine frame	
29	251476637360	4	Corner piece	
30	251476640061	1	Light Bracket	
31	2514850204	4	Gas spring	
32	251476802229	1	Front cover 2	
33	2514850243	6	Hinge	
34	251476802223	1	Bracket 2 for gas cylinder on front hood	
35	251476802224	4	Handle reinforcement on front hood	
36	251476802227	1	Front cover plate	
37	2514803066	2	Handle	
38	251476802228	1	Front cover 1	
39	251476802222	1	Bracket for gas cylinder on front hood	

Engine consol



Self-propelled Slurry Distributor SDS7000
Model year 2007 - 2012

Date: 13/8-2013

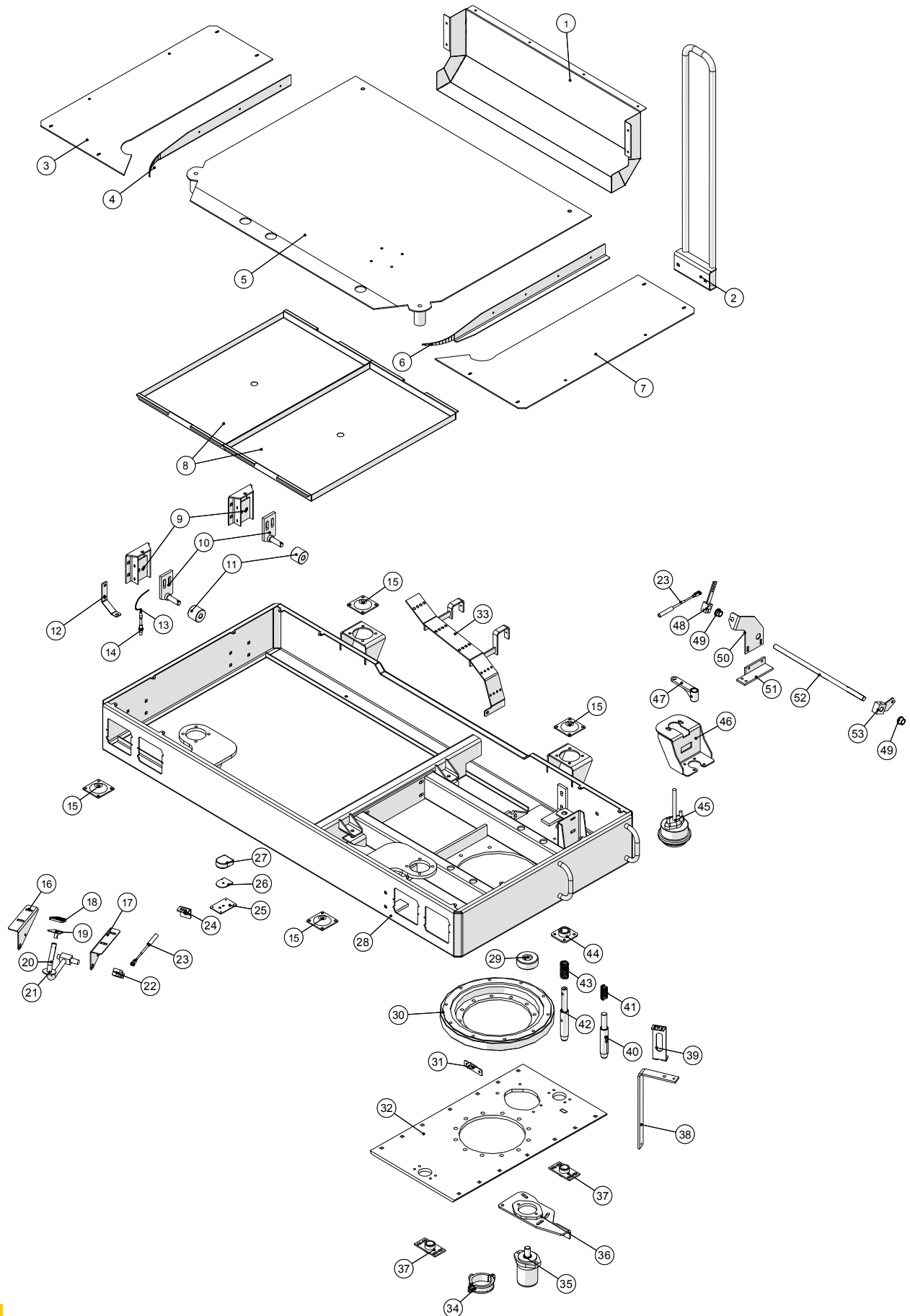
Page 21

Engine consol

Pos. no.	Item no.	Pcs.	Description	Note
40	251476802221	1	Front cover	
41	251476639001	2	Lower cover rail for engine consol	
42	251476639010	1	Lower cover rail for engine consol	
43	251476801288	1	Expansion tank holder	
44	2514850558	1	Expansion tank	



Console for drivers cabin



Self-propelled Slurry Distributor SDS7000

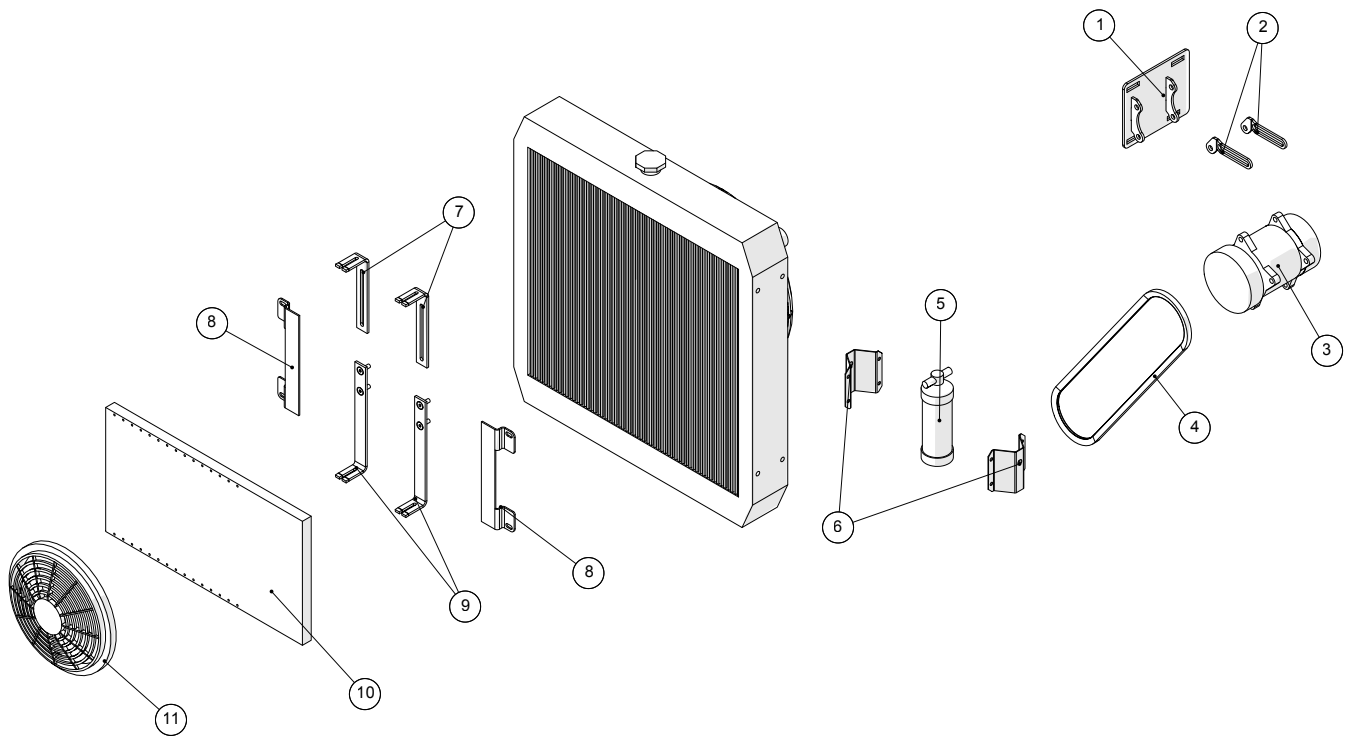
Model year 2007 - 2012

Date: 13/8-2013

Page 23

Console for drivers cabin				
Pos. no.	Item no.	Pcs.	Description	Note
1	251476801145	1	Cover plate for console	
2	251476702840	1	Cover for drivers cabin	
3	25200055	1	Cabin base plate	
4	251476702841	1	Cover for drivers cabin	
5	251476801146	1	Cover plate for console	
6	2514600408	4	Vibration absorber	
7	251476331342	1	Cable bracket	
8	251476700160	2	Roller bracket for support	
9	251476700220	2	Bracket for support roller	
10	251476461960	2	Tension roller	
11	251476801311	1	Mounting for lightsensor by cabin	
12	25030011	1	Cable for sensor 3m	
13	25030010	1	Inductive sensor	
14	251476702042	1	Plate for cabin console pedal	
15	251476702060	1	Pedal arm for console	
16	251476702041	1	Plate for cabin console	
17	251476702170	1	Pedal plate for console	
18	2514850722	1	Pedal rubber	
19	251476637790	1	Arm	
20	251476801365	1	Clamp for cable release of cabin turn	
21	251476801102	1	Holder for cable tray	
22	2514850205	1	Gear rim	
23	251476801363	1	Bracket for central lubrication hose beneath cabin	
24	251476801126	1	Bracket for brake pipe	
25	251476637290	1	Sprocket for cabin turn	
26	251476640180	1	Lock pin for cabin lock	
27	251425445990	1	Spring	
28	251476688580	1	Cabin lock	
29	251476700020	1	Turning console	
30	251476801230	1	Suspension for cabin bearing	
31	251476640210	2	Cone for cabin lock	
32	2514851008	1	Oil engine	
	25131470	1	Seal kits for oil engine	
33	251476801222	1	Arm for oil engine	
34	132612080-01	1	Steel bolt M12x80	
35	251476801087	2	Plastic bearing for brake shaft	
36	251476636720	1	Arm	
37	251476801218	1	Shaft	
38	251476801236	1	Bracket for cabin lock shaft	
39	251476801269	1	Fastening plate for cable in locking end	
40	251476702080	1	Arm for cabin lock	
41	2514851450	1	Cable for cabin lock	

Air conditioning



Self-propelled Slurry Distributor SDS7000
Model year 2007 - 2012

Date: 13/8-2013

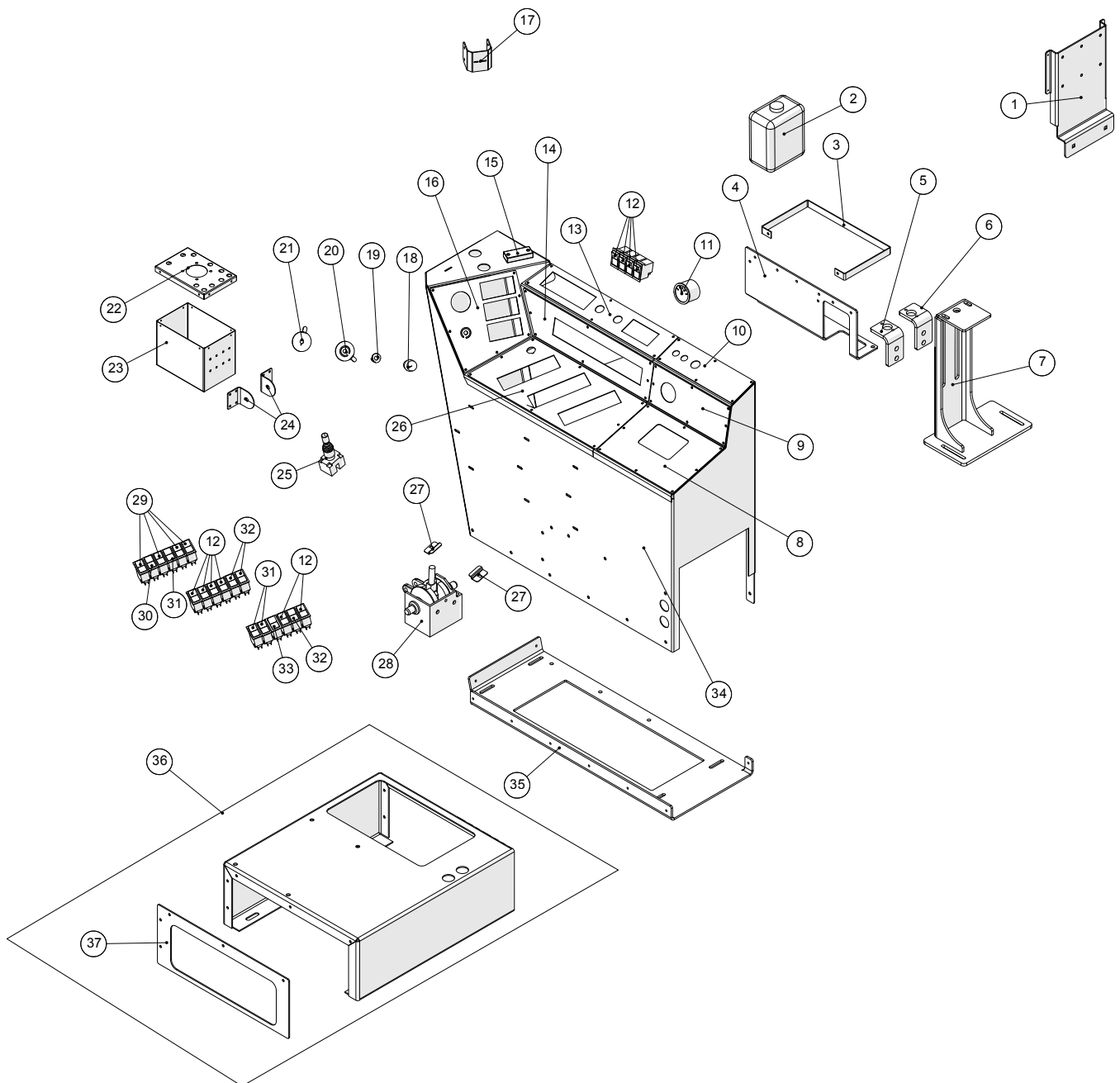
Page 25

Air conditioning

Pos. no.	Item no.	Pcs.	Description	Note
1	251476702230	1	Suspension for Air conditioning	
2	251476702240	2	Arm for air conditioning suspension	
3	2514850546	1	Compressor for Air conditioning	
4	2514850544	1	V-Belt for Air conditioning	
5	2514850549	1	Air conditioning filter	
6	251476643340	2	Bracket for air conditioning filter	
7	251476704890	2	Part for mounting of fan	
8	251476801319	2	Bracket for Air conditioning radiator	
9	251476801264	2	Bracket for fan	
10	2514850547	1	Condenser	
11	2514850548	1	Fan for air conditioning	



Dashboard



Self-propelled Slurry Distributor SDS7000
Model year 2007 - 2012

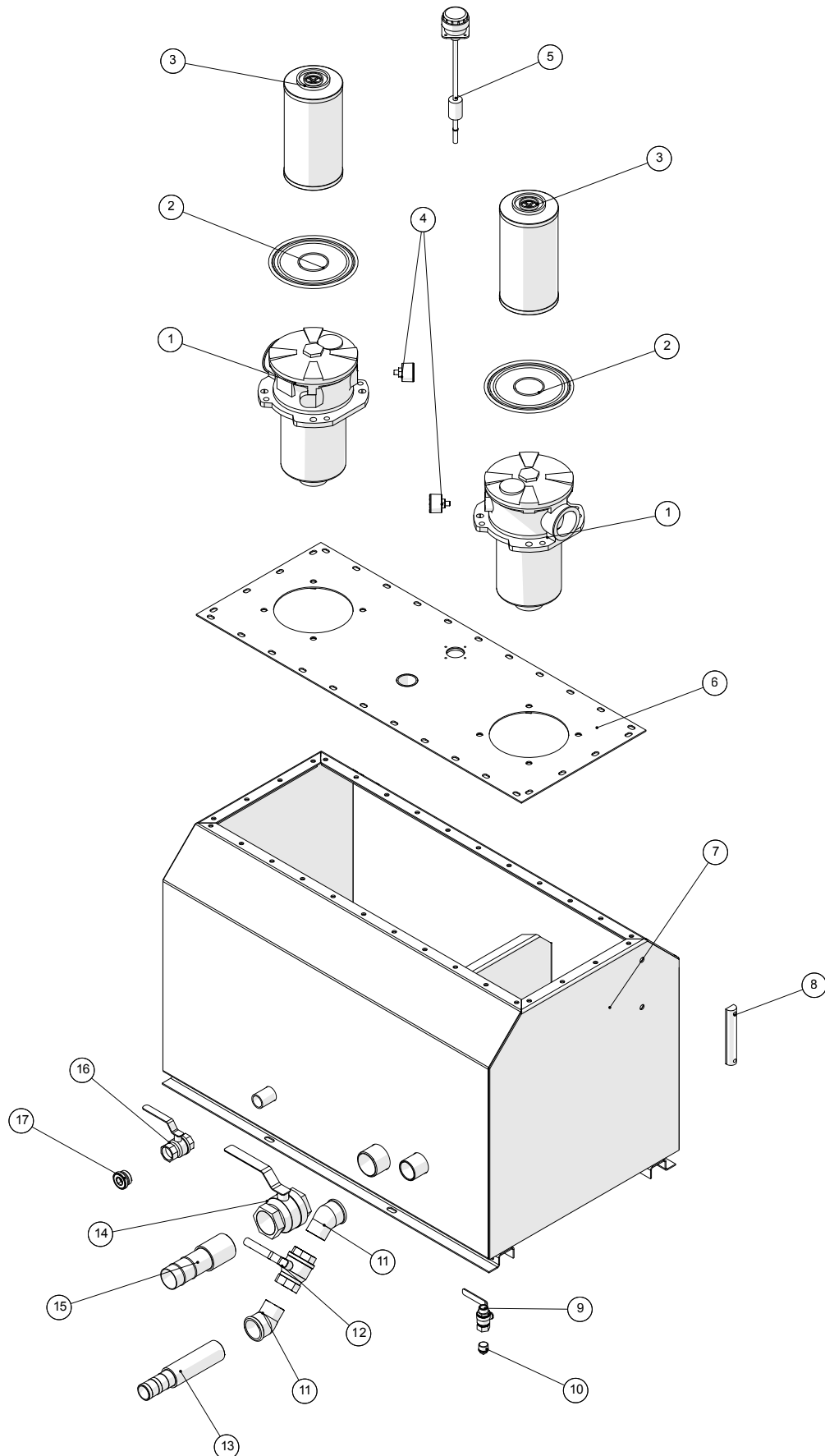
Date: 13/8-2013

Page 27

Dashboard

Pos. no.	Item no.	Pcs.	Description	Note
1	251476701310	1	Coffeemaker suspension	
2	2514852050	1	Sprinkler tank "HEVA"	
3	251476701805	1	Bracket for sprinkler tank	
4	251476701800	1	Mounting plate for sprinkler / brake fluid	
5	251476701770	1	Bracket for gear cable adjustment	
6	251476701760	1	Bracket for gear cable adjustment	
7	251476701750	1	Gear console	
8	251476701790	1	Cover plate	
9	251476700390	1	Cover plate	
10	251476700420	1	Cover plate	
11	862165	1		
12	861821	10		
13	251476700410	1	Cover plate	
14	251476700380	1	Cover plate	
15	251476801327	1	Alu. Block on dashboard	
16	251476700370	1	Cover plate	
17	251476701320	1	Video screen holder	
18	1229120105	1	Potentiometer	
19	251476703970	1	Plate for potentiometer button	
20	251476703960	1	Adjustment plate for potentiometer	
21	251476703950	1	Adjustment plate for potentiometer	
22	251476700530	1	Top plate for Joystick	
23	251476801325	1	Joystick box	
24	251476700550	2	Mounting bracket for Joystick	
25	861807	1		
26	251476700360	1	Cover plate	
27	251476801057	2	Rubber cover claas gear console	
28	2514850077	1	Gear console	
29	862528	5		
30	862441	1		
31	861797	3		
32	861858	2		
33	861856	1		
34	251476701470	1	Cabin console	
35	251476700300	1	Base plate for control panel	
36	251476700480	1	Seat console	
37	251476701000	1	End plate for seat console	

Hydraulic tank



Self-propelled Slurry Distributor SDS7000
Model year 2007 - 2012

Date: 13/8-2013

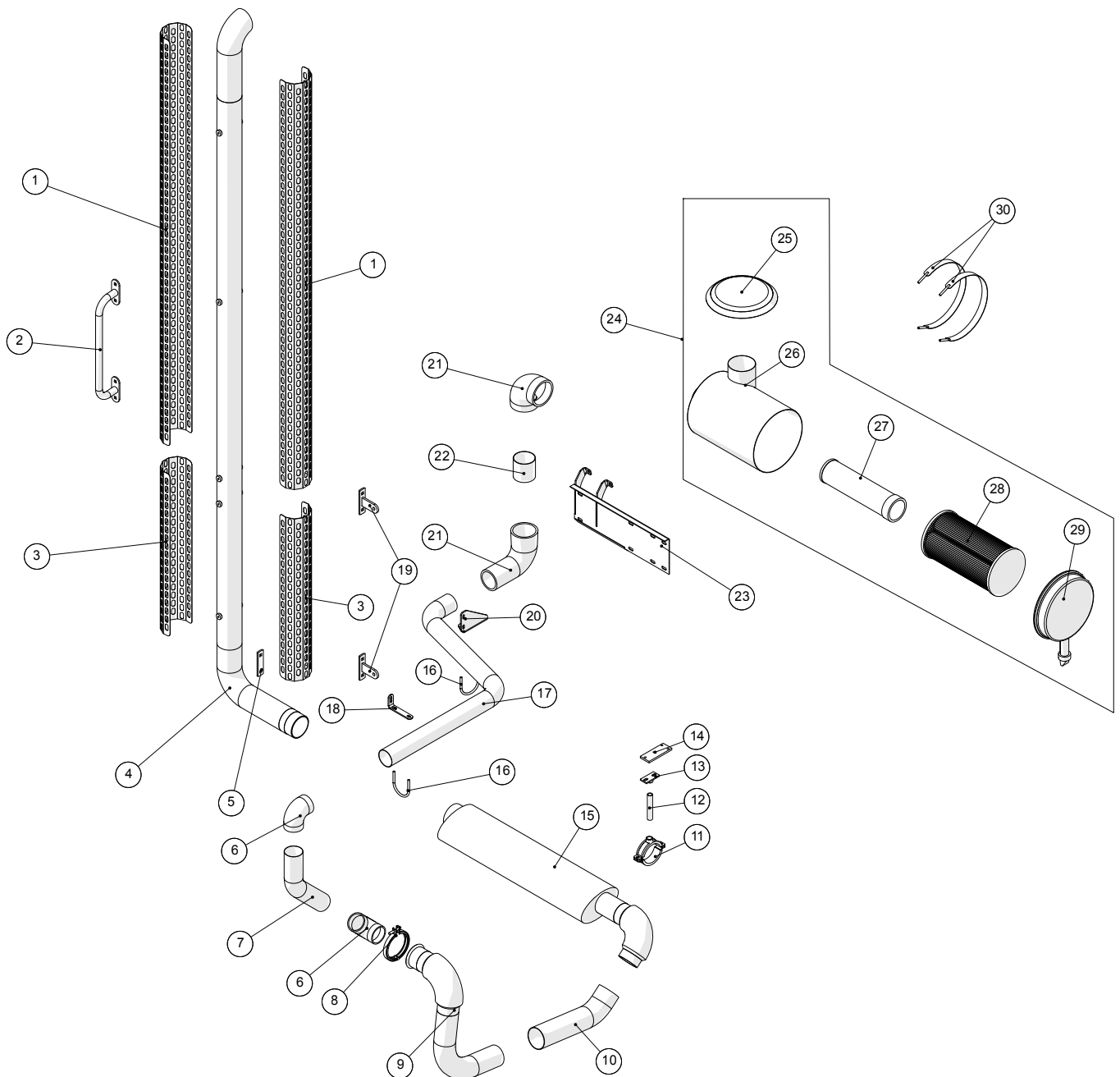
Page 29

Hydraulic tank

Pos. no.	Item no.	Pcs.	Description	Note
1	2514851468	2	Return Filter	
2	2514851469	2	O-ring for return filter	
3	25132495	2	Return filter element	
4	2514851470	2	Manometer for return filter	
5	2514851239	1	Level guard	
6	251476801250	1	Top plate for hydraulic tank	
7	251476801245	1	Hydraulic tank – large	
8	2514851242	1	Oil level window	
9	13100064	1	Ball valve female/male 1/2"	
10	000291104	1	Plug black 1/2"	
11	000121111	2	Elbow 45° No.121 black 1 1/2"	
12	13100012	1	Ball valve female/female 1 1/2"	
13	14380042-1	1	Hose stub w/BSP 38x1 1/2"	
14	13100014	1	Ball valve female/female 2"	
15	14380045	1	Hose stub 50x2"	
16	13100008	1	Ball valve female/female 1"	
17	503036866	1	Plug with unbraco 1"	



Air intake and Exhaust



Self-propelled Slurry Distributor SDS7000
Model year 2007 - 2012

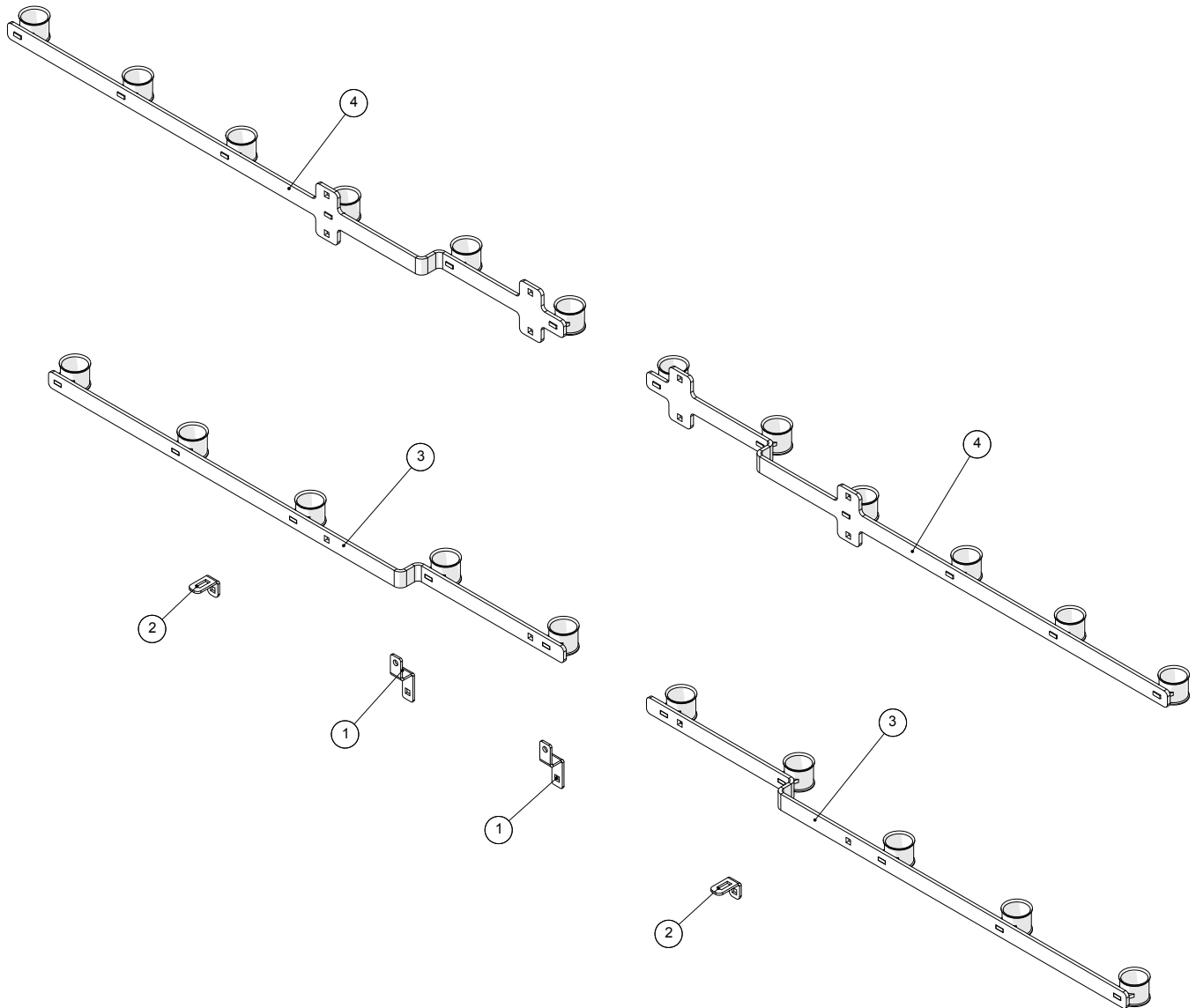
Date: 13/8-2013

Page 31

Air intake and Exhaust

Pos. no.	Item no.	Pcs.	Description	Note
1	251476639082	2	Shield, top	
2	251476702780	1	Handle	
3	251476639081	2	Shield, lower	
4	251476331251	1	Exhaust	
5	251476409482	1	Flange for support pipes	
6	2514850494	2	Rubber elbow for inlet	
7	2514850419	1	Elbow by engine, exhaust	
8	2514850410	1	Clamp band	
9	251476801072	1	Front pipe by exhaust	
10	2514850414	1	Steel flex pipe	
11	10380498	1	Pipe clamp Ø92-104mm	
12	012120404	1	Pipe galv. ½"x120mm	
13	10380525	1	Base flange for pipe fastener ½"	
14	251476801073	1	Bracket for exhaust	
15	251476643720	1	Muffler	
16	10381076	2	U-clamp til Ø76 (3" pipe)	
17	251476801289	1	Air intake pipe version 2.0 complete	
18	251476801290	1	Small bracket for air intake pipe	
19	251476641210	2	Bracket	
20	251476801291	1	Large bracket for air intake pipe	
21	2514850495	2	Rubber bend for exhaust	
22	251476801038	1	Pipe for inlet elbow	
23	251476801276	1	Air filter holder	
24	2514850519	1	Air filter John Deere	
25	251476801272	1	Rain Cap for air filter	
26	251476801277	1	Air filter box	
27	2514850518	1	Air filter part	
28	2514850517	1	Air filter	
29	251476801278	1	Lid end-part air filter box	
30	251476643970	2	Strap for air filter	

Hose rack below cabin



Self-propelled Slurry Distributor SDS7000
Model year 2007 - 2012

Date: 13/8-2013

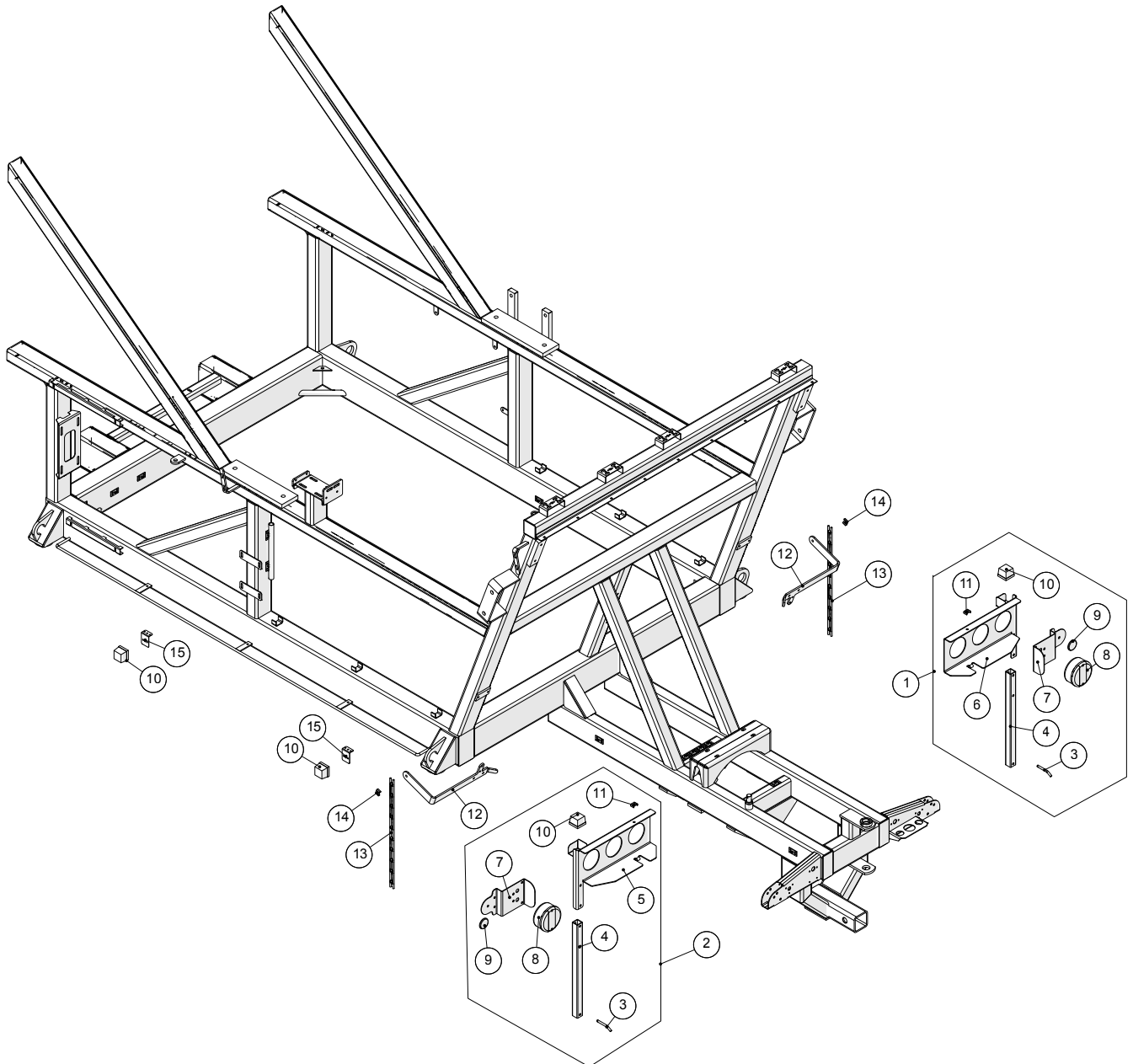
Page 33

Hose rack below cabin

Pos. no.	Item no.	Pcs.	Description	Note
1	251476704740	2	Rack for hose rail	
2	251476704750	2	Angel for hose rack	
3	251476801894	2	Hose rack in front of wheels	30m dribble bar
4	251476802253	2	Hose rack in front of wheels	24m dribble bar



Rear light / Side marker



Self-propelled Slurry Distributor SDS7000
Model year 2007 - 2012

Date: 13/8-2013

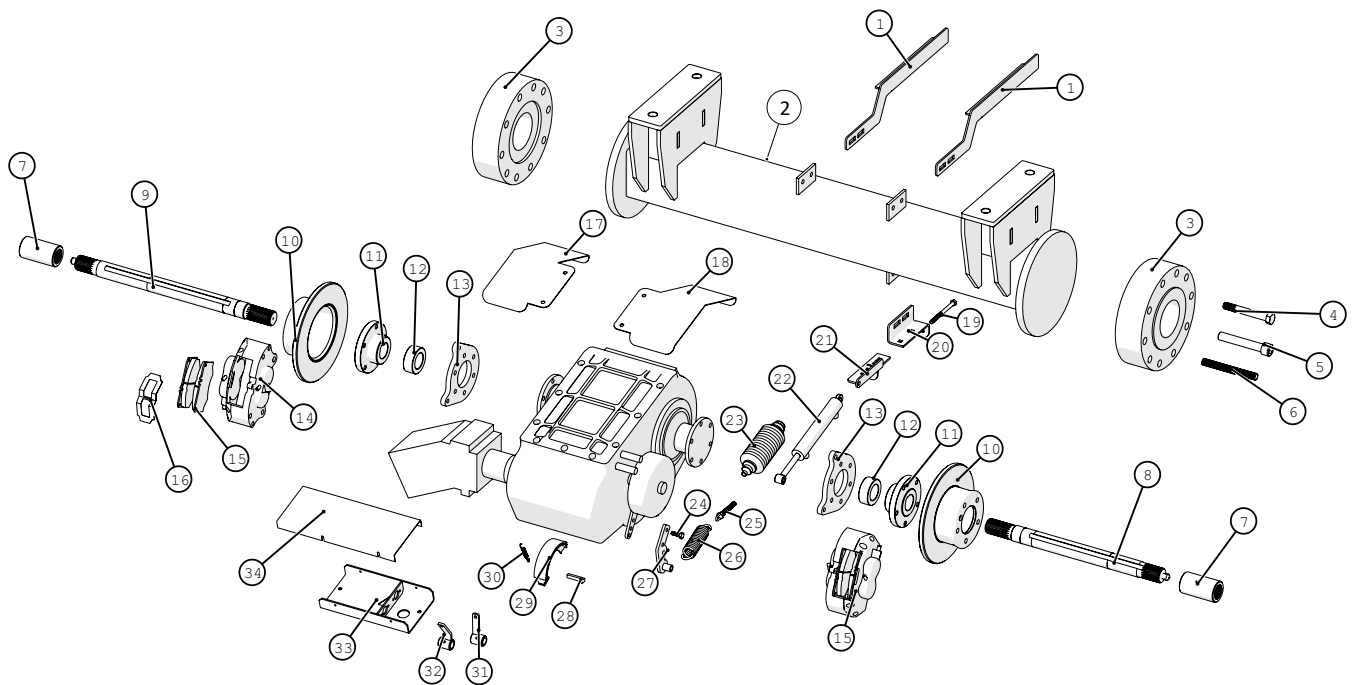
Page 35

Rear light / Side marker

Pos. no.	Item no.	Pcs.	Description	Note
1	251476801154	1	Right light console	
2	251476801155	1	Left light console	
3	251476801068	2	Locking pin for light board	
4	251476638230	2	Profile for light board	
5	251476801309	1	Left rear hose rack	
6	251476801310	1	Right rear hose rack	
7	251476326000	2	Bracket for light	
8	25017255	2	"Hella" rear light	
9	25102055	2	Red reflex ø60	
10	1229140050	6	Side marker yellow	
11	251476801119	2	U-bracket for ladder strap	
12	251476801118	2	Bracket for hoses by rear subframe	
13	2514850935	2x0,7m	Rubberstrap	
14	251476801119	2	U-bracket for ladder strap	
15	251476641050	4	Light bracket for side marker	



Front axle



Self-propelled Slurry Distributor SDS7000
Model year 2007 - 2012

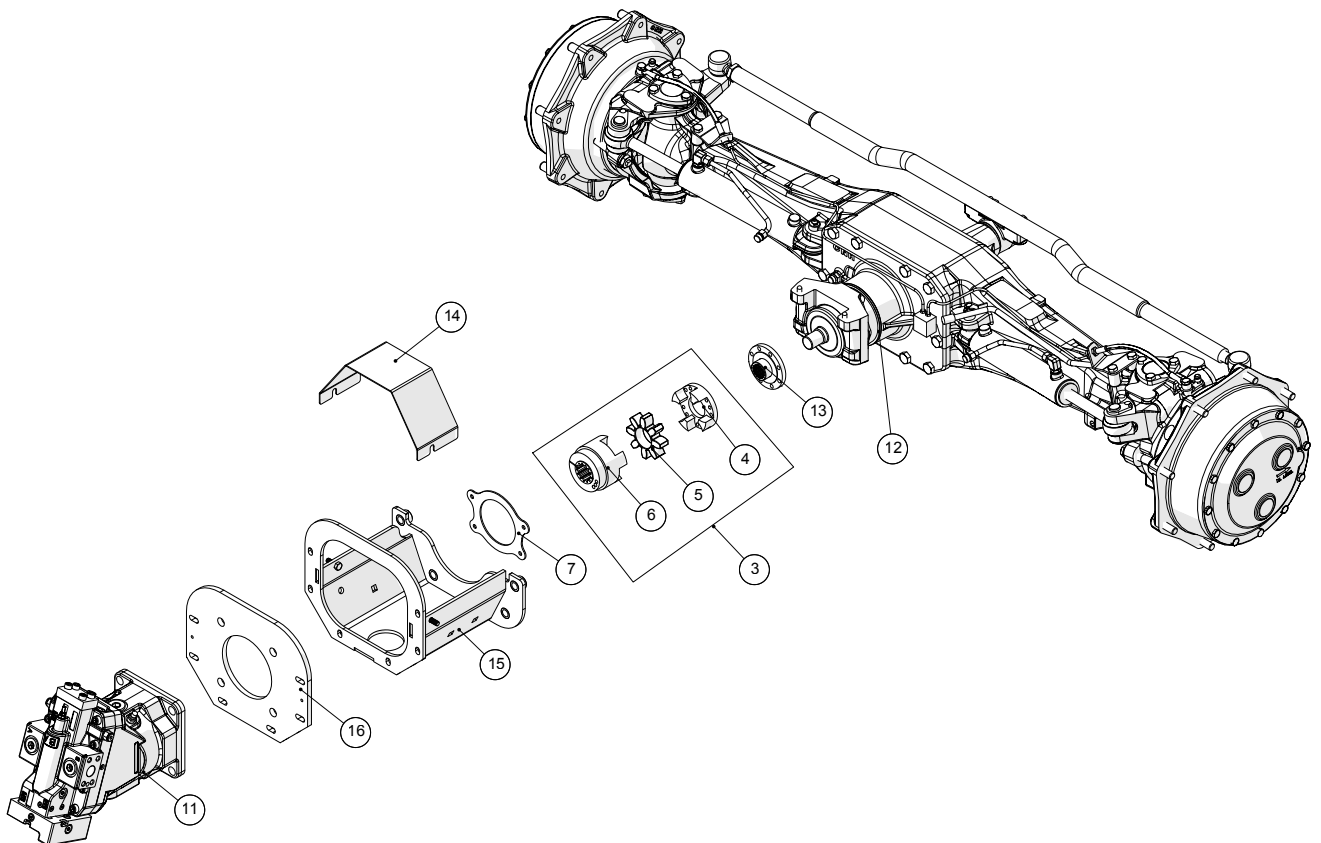
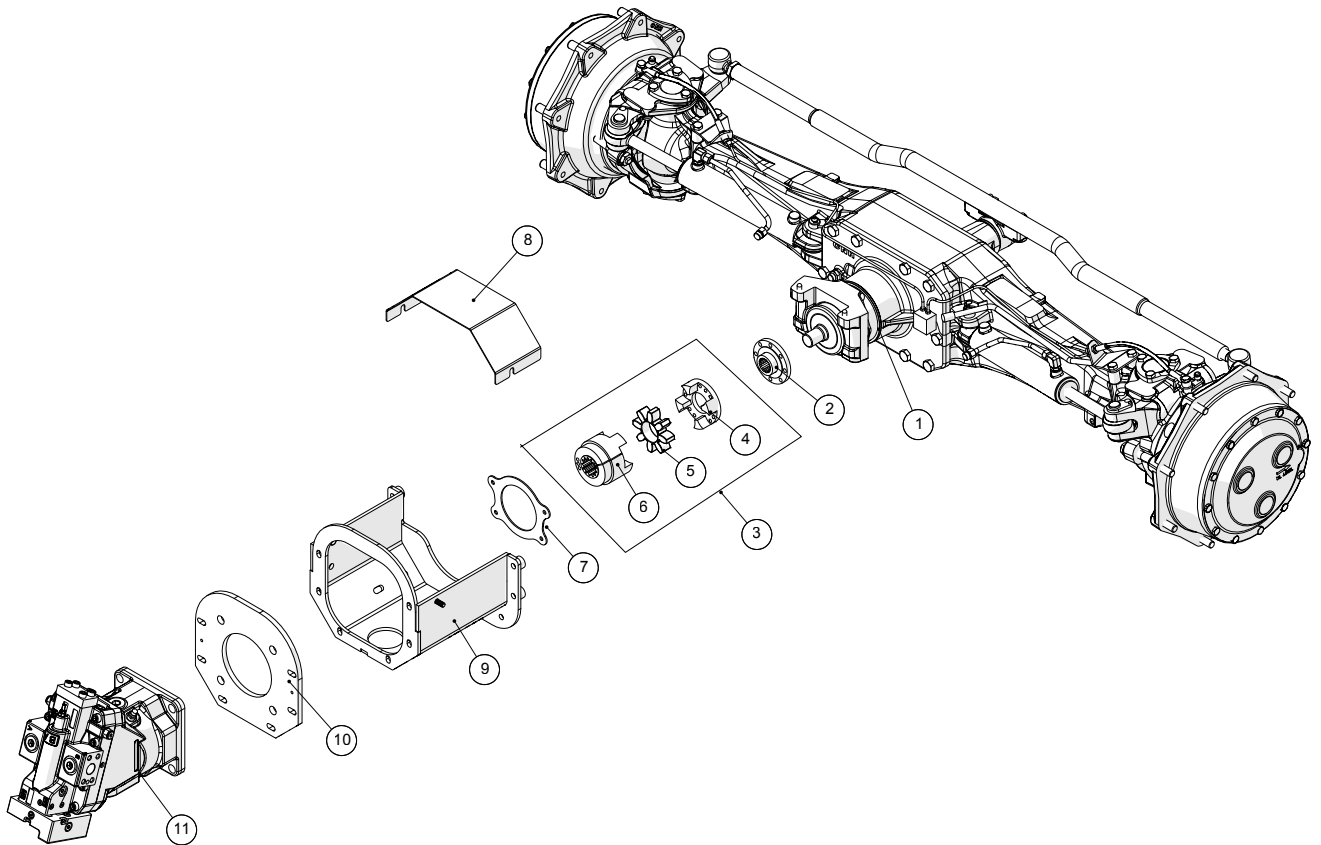
Date: 13/8-2013

Page 37

Front axle

Pos. no.	Item no.	Pcs.	Description	Note
1	251476704760	2	Bracket for pressure tank	
2	251476331170	1	Axle	
3	251476648670	2	Extension flange	
4		1	Steel bolt M20x150	
5		1	Unbraco M20x150	
6	251476801080	1	Threaded rod M20x180	
7	25123140	2	Spline bush	
8	251476360240	1	Short shaft for slurry machine	
9	251476360250	1	Long shaft for slurry machine	
10	2514850615	2	Brake disc	
11	251476685670	2	Brake disc hub	
12	251476691540	2	Bush for disc brake	
13	251476685660	2	Bracket for brake caliber	
14	2514850614	2	Caliber	
15	2514850613	4	Brake pads (4 pcs.)	
16	2514850612	1	Mounting kit	
17	251476691871	1	Disc brake cover	
18	251476691872	1	Disc brake cover	
19	25141920221	1	Steel bolt M10x130	
20	251476693360	1	Bracket for parking brake	
21	251476693350	1	Bracket for parking brake cylinder	
22	2514853006	1	Cylinder for parking brake/hose move	
23	2514850020	1	Cover	
24		1	Steel bolt M10x30	
25	251476443720	1	Spring holder	
26	1513850610	1	Spring	
27	251476702440	1	Bracket for parking brake	
28	25122745	1	Wedge 10x8x56	
29	25122755	1	Brake shoes complete	
30	25122795	1	Parking brake spring	
31	251476640160	1	Gear lever short	
32	251476640150	1	Gear lever	
33	251476636760	1	Gear console	
34	251476636140	1	Gear console cover plate	

Steering axel



Self-propelled Slurry Distributor SDS7000
Model year 2007 - 2012

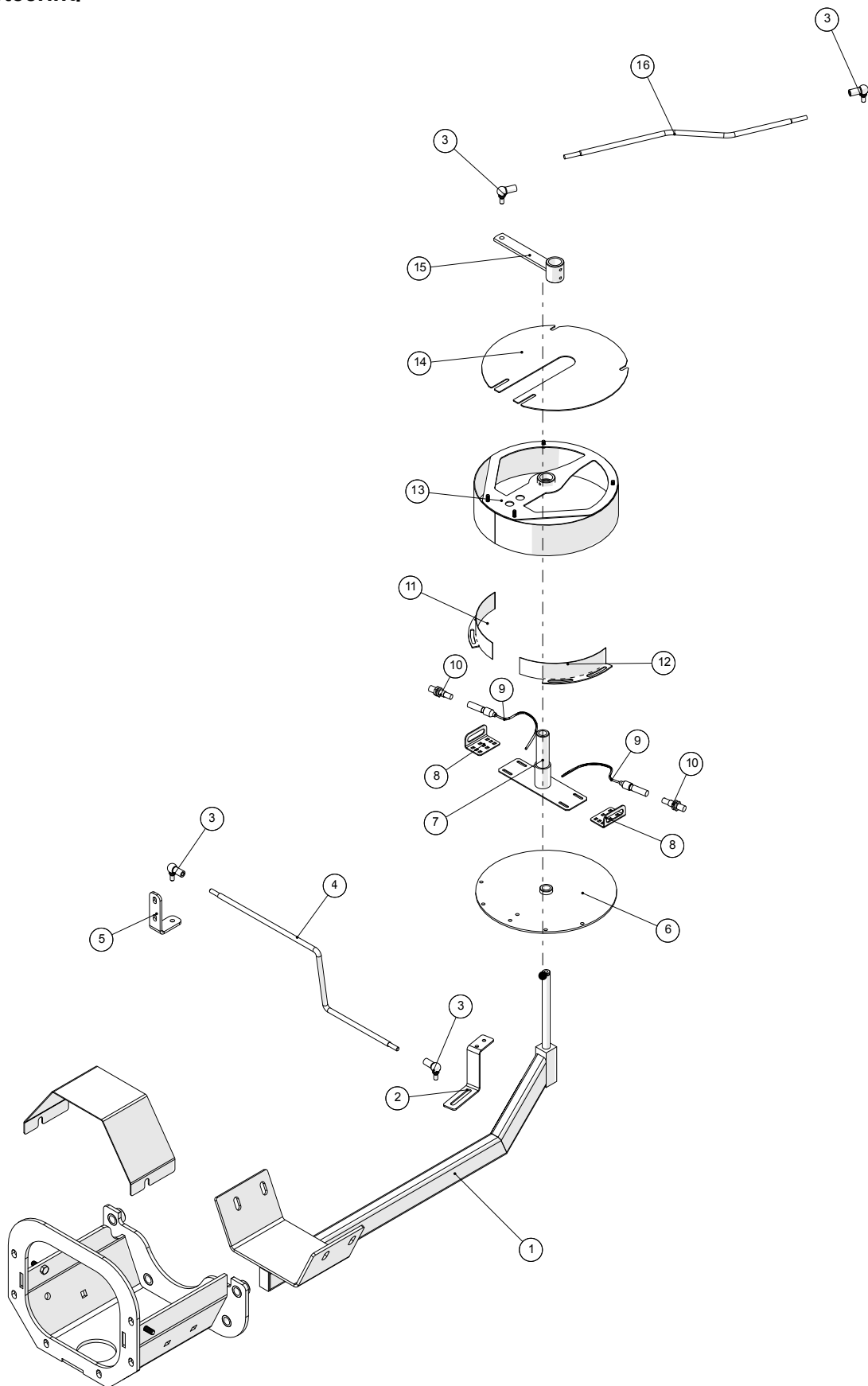
Date: 13/8-2013

Page 39

Steering axle

Pos. no.	Item no.	Pcs.	Description	Note
1	2514850226	1	Steering axle	2010 and earlier
2	251476687810	1	Hub	2010 and earlier
3	2514851140	2	Coupling half z=13 8/16 pitch	
4	2514851142	2	Coupling half - flange	
5	2514851143	2	Rubber component	
6	2514851141	2	Coupling half, z=13	
7	251476642900	2	Bracket for 4-WD seal	
8	251476344740	1	Cover for 4-WD coupling	2010 and earlier
9	251476344730	1	Console for oil engine	2010 and earlier
10	251476687750	1	Flange for Sauer Engine	2010 and earlier
11	2514851476	2	Engine for rear axle 51MV116	
12	2514850227	1	Steering axle	2011 and later
13	251476802255	1	Drive hub for steering axle	2011 and later
14	251476802286	1	Cover for 4WD coupling	2011 and later
15	251476802275	1	Console for oil engine	2011 and later
16	251476802285	1	Flange for Sauer Engine	2011 and later

Automatic Steering



Self-propelled Slurry Distributor SDS7000
Model year 2007 - 2012

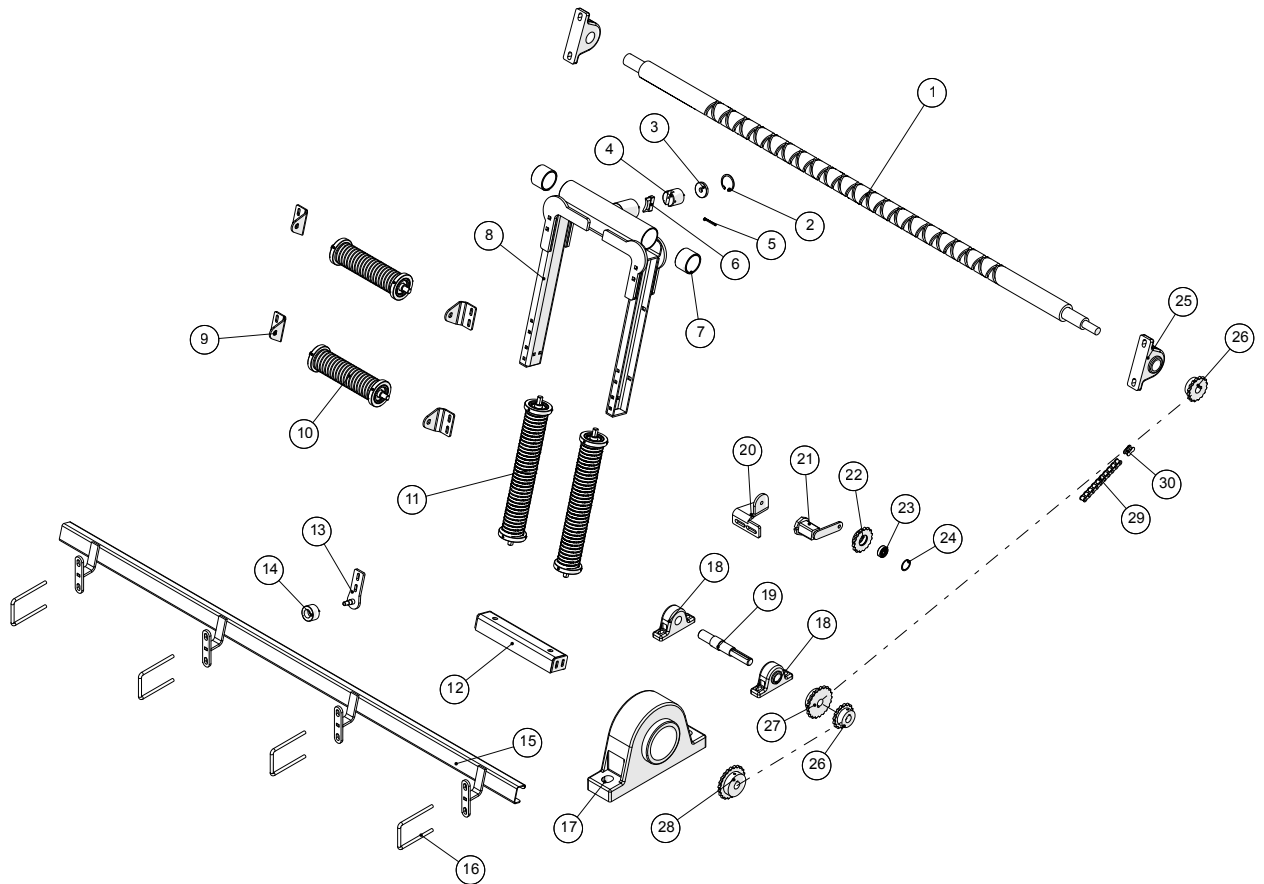
Date: 13/8-2013

Page 41

Automatic Steering

Pos. no.	Item no.	Pcs.	Description	Note
1	251476345720	1	Arm for automatic steering	
2	251476638980	1	Bracket for automatic steering	
3	15110635227	4	Hinge link	
4	251476641670	1	Threaded bar	
5	251476641090	1	Bracket for guide bar on automatic steering	
6	251476638870	1	Base plate for automatic steering turntable	
7	251476638850	1	Plate for microswitch	
8	251476801147	2	Bracket for inductive sensor	
9	25030011	2	Sensor cable 3m	
10	25030010	2	Inductive sensor	
11	251476638821	1	Guide rail for automatic steering	
12	251476638822	1	Guide rail for automatic steering	
13	251476638890	1	Lid for automatic steering turntable	
14	251476691560	1	Top plate for automatic steering turntable	
15	251476638930	1	Arm for automatic steering turntable	
16	251476802202	1	Threaded rod	

Hose guide. top 4"



Self-propelled Slurry Distributor SDS7000
Model year 2007 - 2012

Date: 13/8-2013

Page 43

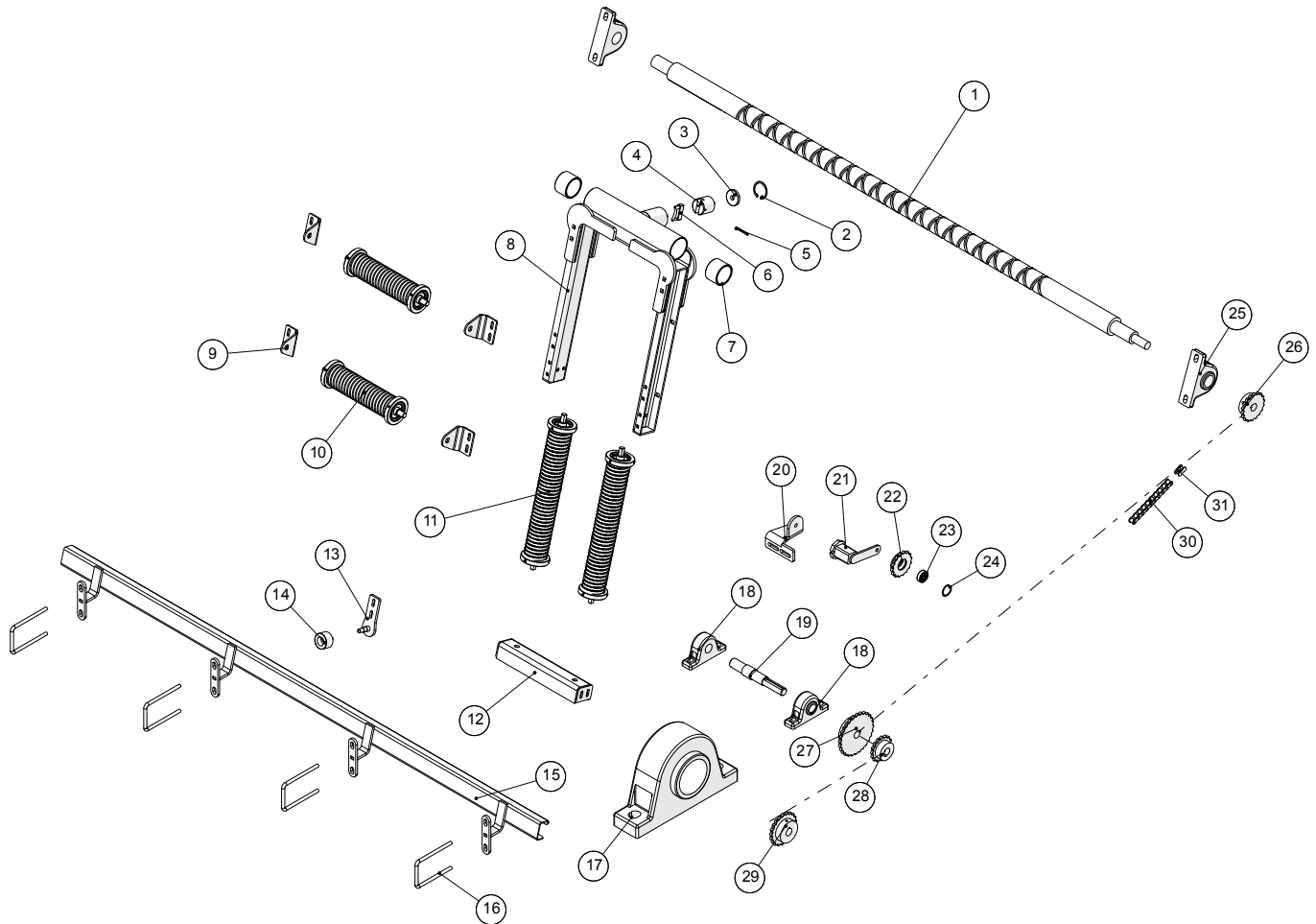
Hose guide, top 4"				
Pos. no.	Item no.	Pcs.	Description	Note
1	251476330200	1	Worm shaft for top hose steering	
2	2514932250	1	Retaining ring J50	
3	251476632690	1	Disc	
4	251476688700	1	Holder for guide pin	
5	25122964	1	Retaining pin 5x50	
6	251476632620	1	Guide pin for top hose steering	
7	251476632670	2	Bush for top hose steering	
8	251476346250	1	Top hose steering	
9	251476649840	4	Roll holder for top hose steering	
10	251476648550	2	Roller for hose	
11	251476648530	2	Roller for hose	
12	251476648630	1	Base panel	
13	251476688760	1	Controller for top hose steering	
14	251476688810	1	Nylon roller for hose steering	
15	251476688790	1	Rail for top hose steering	
16	251476634580	4	Clamp for slurry pipe bracket	
17	2514850122	1	Plummer block bearing RASE120	
18	2514500932	2	Plummer block bearing RASE30	
19	251476640760	1	Shaft	
20	251476640940	1	Bracket for tensioner	
21	2514850138	1	Tightening element	
22	251476635930	1	Chain wheel $\frac{5}{8}$ " z=16	
23	2514500810	1	Bearing	
24	2514932237	1	Retaining ring J37	
25	2514500934	2	Plummer block bearing RASE40	
26	251476641620	2	Chain wheel $\frac{5}{8}$ " z=16	
27	251476641610	1	Chain wheel $\frac{5}{8}$ " z=21	
28	251476643820	1	Chain wheel $\frac{5}{8}$ " z=22	
29	2514503104	1	Chain $\frac{5}{8}$ "	
30	2514503101	1	Closing links $\frac{5}{8}$ "	

Self-propelled Slurry Distributor SDS7000
Model year 2007 - 2012

Date: 13/8-2013

Page 44

Hose guide, top 4½"



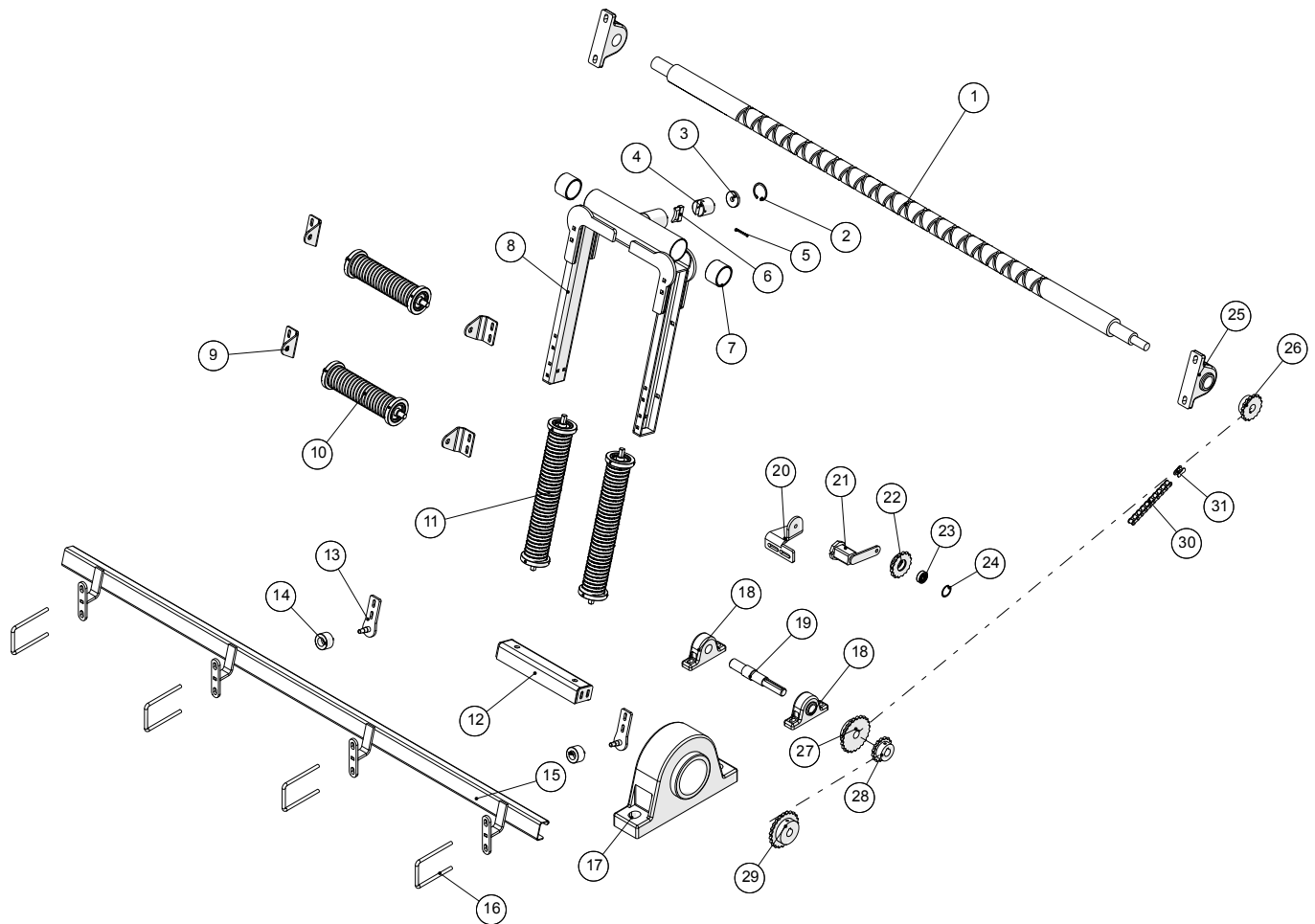
Self-propelled Slurry Distributor SDS7000
Model year 2007 - 2012

Date: 13/8-2013

Page 45

Hose guide, top 4½"				
Pos. no.	Item no.	Pcs.	Description	Note
1	251476330200	1	Worm shaft for top hose steering	
2	2514932250	1	Retaining ring J50	
3	251476632690	1	Disc	
4	251476688700	1	Steering block for steering pin	
5	25122964	1	Retaining pin	
6	251476632620	1	Guide pin for top hose steering	
7	251476632670	2	Bush for top hose steering	
8	251476346250	1	Top hose steering	
9	251476649840	4	Roll holder for top hose steering	
10	251476648550	2	Roller for hose	
11	251476648530	2	Roller for hose	
12	251476648630	1	Base panel	
13	251476688760	1	Controller for top hose steering	
14	251476688810	1	Nylon roller for hose steering	
15	251476688790	1	Rail for top hose steering	
16	251476634580	4	Clamp for slurry pipe bracket	
17	2514850122	1	Plummer block bearing RASE120	
18	2514500932	2	Plummer block bearing RASE30	
19	251476640760	1	Shaft	
20	251476640940	1	Bracket for tensioner	
21	2514850138	1	Tightening element	
22	251476635930	1	Chain wheel 5/8" z=16	
23	2514500810	1	Bearing	
24	2514932237	1	Retaining ring J37	
25	2514500934	2	Bearing bracket	
26	251476636950	1	Chain wheel 5/8" z=18	
27	251476641630	1	Chain wheel 5/8" z=28	
28	251476641620	1	Chain wheel 5/8" z=16	
29	251476641610	1	Chain wheel 5/8" z=21	
30	2514503104	1	Chain 5/8"	
31	2514503101	1	Closing links 5/8"	

Hose guide, top 5"



Self-propelled Slurry Distributor SDS7000
Model year 2007 - 2012

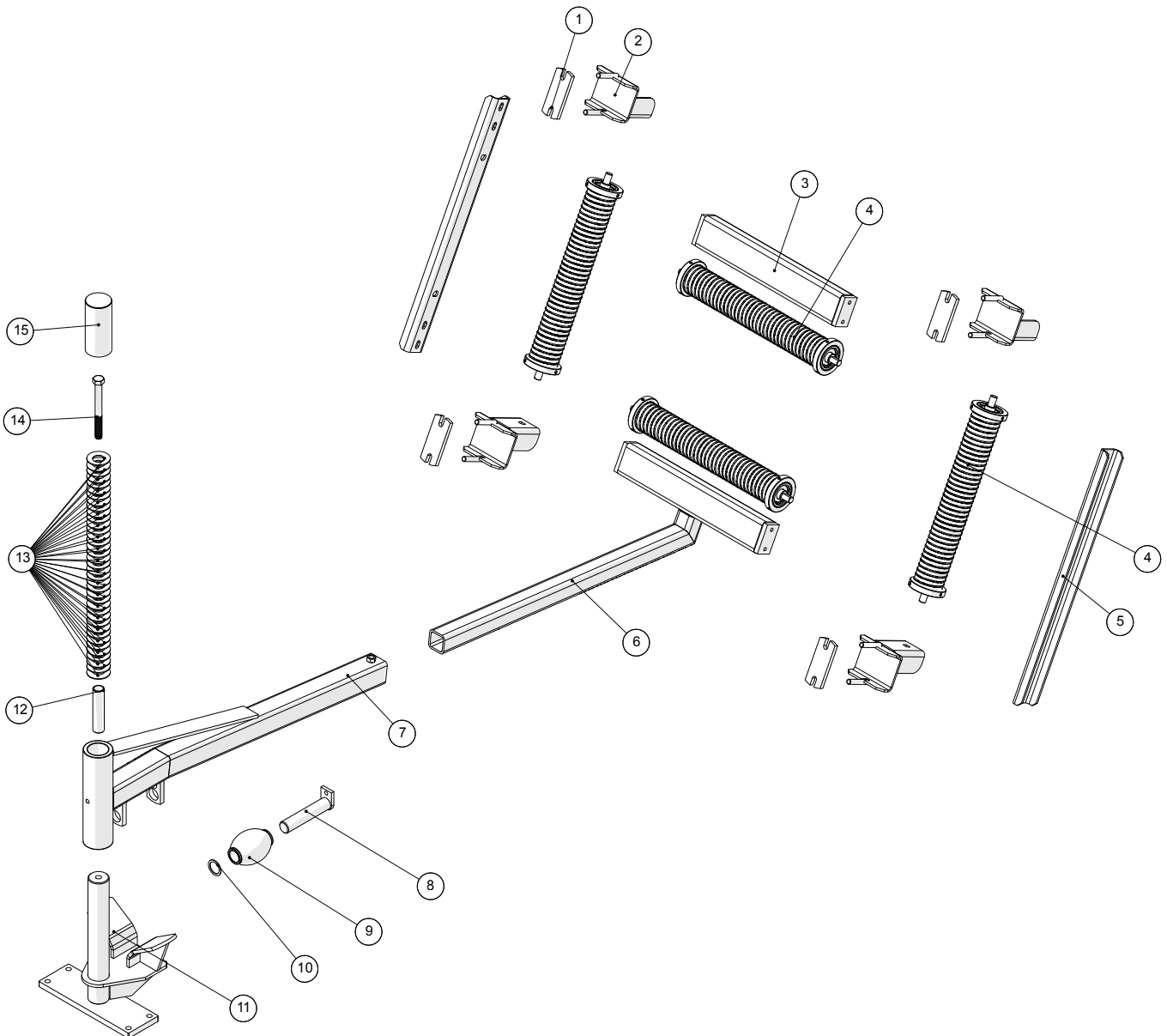
Date: 13/8-2013

Page 47

Hose guide, top 5"

Pos. no.	Item no.	Pcs.	Description	Note
1	251476801225	1	Worm shaft for top hose steering	
2	2514932250	1	Retaining ring J50	
3	251476632690	1	Disc	
4	251476688700	1	Steering block for steering pin	
5	25122964	1	Retaining pin	
6	251476632620	1	Guide pin for top hose steering	
7	251476632670	2	Bush for top hose steering	
8	251476346250	1	Top hose steering	
9	251476649840	4	Roll holder for top hose steering	
10	251476648550	2	Roller for hose	
11	251476648530	2	Roller for hose	
12	251476648630	1	Base panel	
13	251476688760	2	Controller for top hose steering	
14	251476688810	2	Nylon roller for hose steering	
15	251476688790	1	Rail for top hose steering	
16	251476634580	4	Clamp for slurry pipe bracket	
17	2514850122	1	Plummer block bearing RASE120	
18	2514500932	2	Plummer block bearing RASE30	
19	251476640760	1	Shaft	
20	251476640940	1	Bracket for tensioner	
21	2514850138	1	Tightening element	
22	251476635930	1	Chain wheel $\frac{5}{8}$ " z=16	
23	2514500810	1	Bearing	
24	2514932237	1	Retaining ring J37	
25	2514500934	2	Bearing bracket	
26	251476641617	1	Chain wheel $\frac{5}{8}$ " z=17	
27	251476641624	1	Chain wheel $\frac{5}{8}$ " z=24	
28	251476641970	1	Chain wheel $\frac{5}{8}$ " z=15	
29	251476691840	1	Chain wheel $\frac{5}{8}$ " z=23	
30	2514503104	1	Chain $\frac{5}{8}$ "	
31	2514503101	1	Closing links $\frac{5}{8}$ "	

Hose guide, outer



Self-propelled Slurry Distributor SDS7000
Model year 2007 - 2012

Date: 13/8-2013

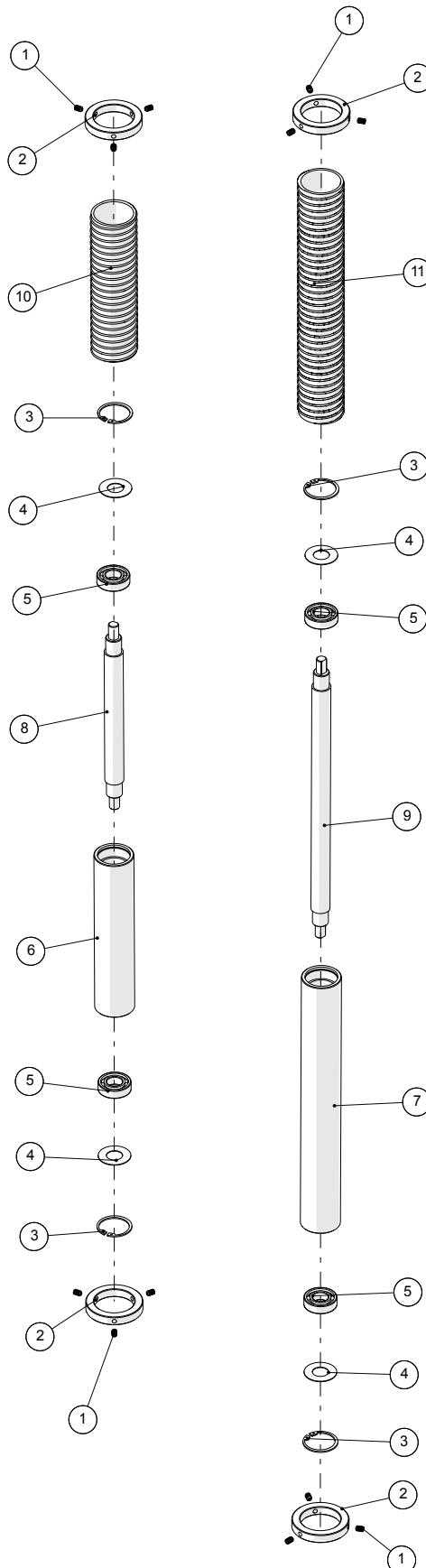
Page 49

Hose guide, outer

Pos. no.	Item no.	Pcs.	Description	Note
1	251476635590	4	Bracket for outer hose guide	
2	251476648650	4	Bracket for hose reel	
3	251476688720	1	Profile	
4	251476648530	4	Hose reel	
5	251476648570	2	Side panel for outer hose guide	
6	251476636610	1	Outer hose guide	
7	251476636100	1	Lever for hose guide	
8	251476636110	1	Pin for roller for lever	
9	251476633130	1	Roller for hose guide	
10	251476634560	1	Washer for hose guide	
11	251476330340	1	Roller track for hose guide	
12	251476632720	1	Pipe for hose guide	
13	2514932901	38	Disc spring	
14	25141922714	1	Steel bolt M16x160	
15	251476636970	1	Protection pipe for disc spring	



Hose guide rollers



Self-propelled Slurry Distributor SDS7000
Model year 2007 - 2012

Date: 13/8-2013

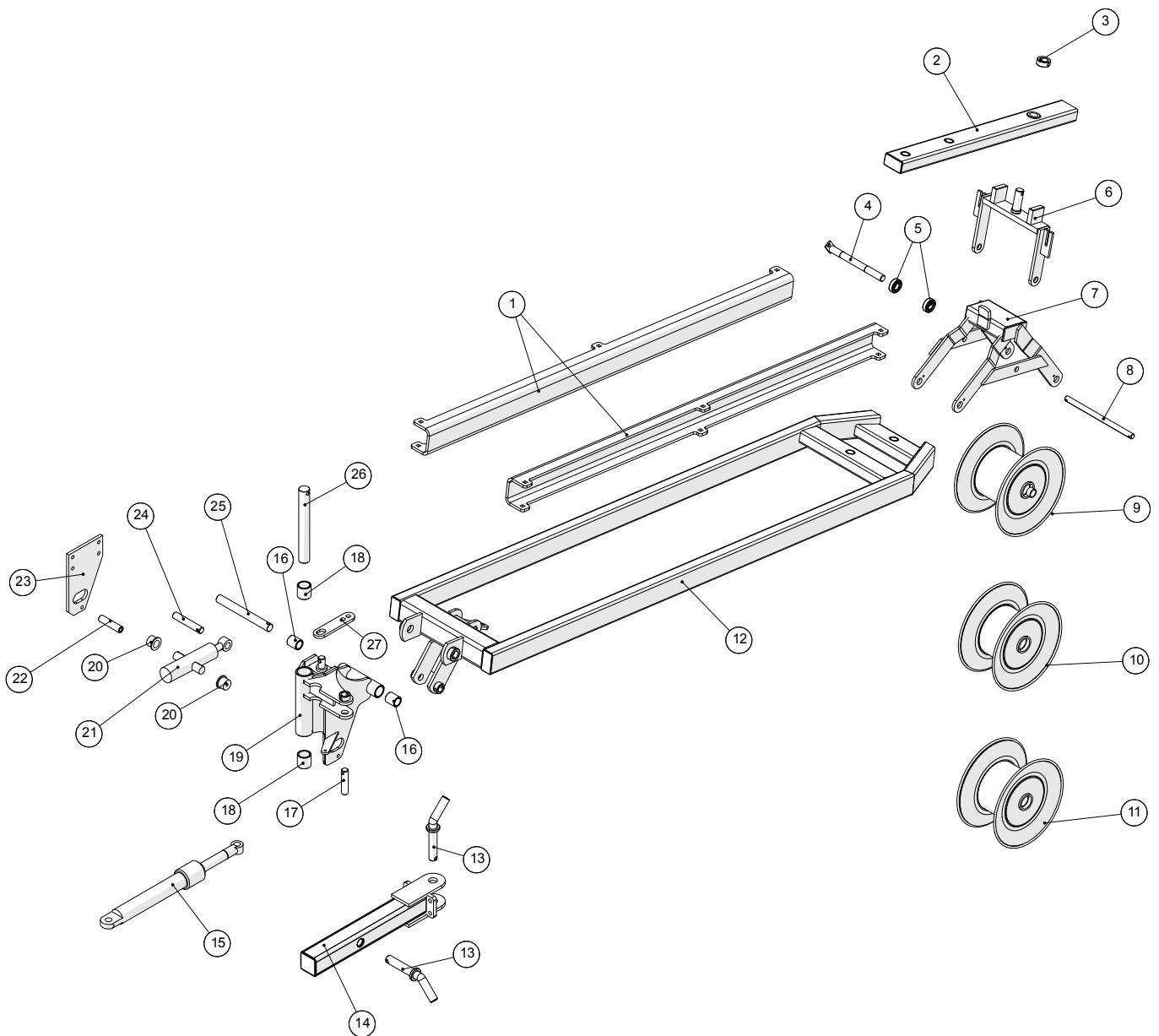
Page 51

Hose guide rollers

Pos. no.	Item no.	Pcs.	Description	Note
1	25141905420	12	Socket screw M8x12	
2	251476634760	4	Stop ring for roller on hose guide	
3	2514932252	4	Retaining ring J52	
4	251476620650	4	Disc	
5	2514500798	4	Ball bearing 6205-2RS	
6	251476649820	1	Roller for hose guide	
7	251476648520	1	Roller for hose guide	
8	251476648560	1	Pin for tension roller	
9	251476648540	1	Pin for tension roller	
10	251476649830	1	Protection hose for hose reel	
11	251476648580	1	Protection hose for hose reel	



Drawbar



Self-propelled Slurry Distributor SDS7000
Model year 2007 - 2012

Date: 13/8-2013

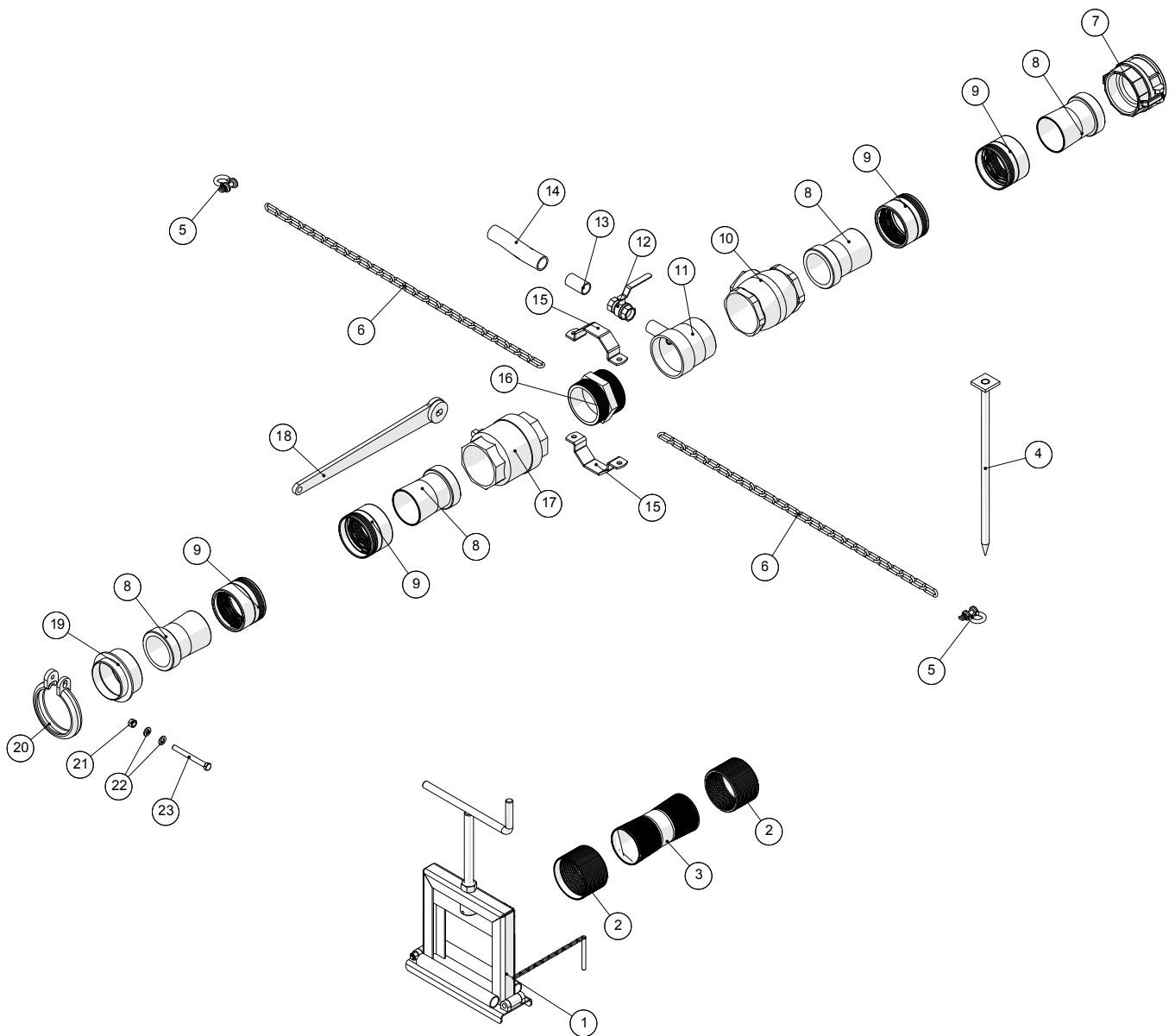
Page 53

Drawbar

Pos. no.	Item no.	Pcs.	Description	Note
1	251476649980	2	Wearing plate for drawbar	
2	251476330570	1	Drawbar	
3	251476493710	1	Bearing	
4	251476636340	1	Pin	
5	2514500798	2	Ball bearing 6205-2RS	
6	251476330430	1	Clamp	
7	251476330420	1	Bracket	
8	251476632560	1	Shaft	
9	251476330973	1	5" hose reel	
10	251476330972	1	3½" hose reel	
11	251476330971	1	4" hose reel	
12	251476330560	1	Large drawbar	
13	251476641120	2	Pin	
14	251476639490	1	Drawbar	
15	2514850098	1	Cylinder	
16	251476635220	2	Bushing for swivel bracket, horizontal	
17	251476639482	1	Pin	
18	251476640910	2	Bushing for swivel bracket, vertical	
19	251476331440	1	Drawbar console	
20	251476638110	2	Grease cup	
21	2514853030	1	Cylinder	
22	251476641690	1	Spacer bush	
23	251476637990	1	Plate for drawbar console	
24	251476639481	1	Pin	
25	251476638210	1	Pin	
26	251476638190	1	Shaft	
27	251476691770	1	Plate for lock	



Hose assembly



Self-propelled Slurry Distributor SDS7000
Model year 2007 - 2012

Date: 13/8-2013

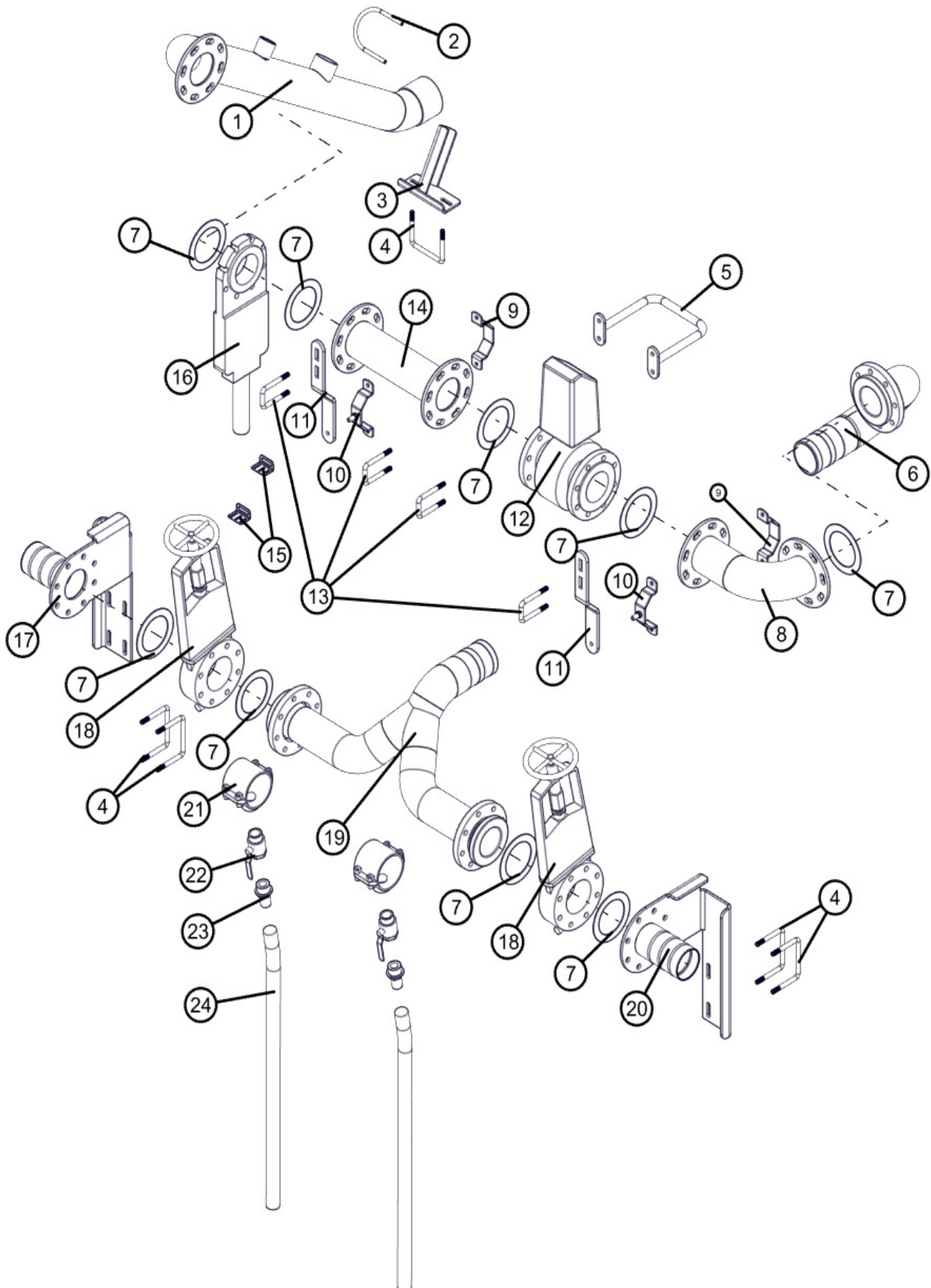
Page 55

Hose assembly

Pos. no.	Item no.	Pcs.	Description	Note
1	251476331350	1	Hose clip	
2	16150510-02	2	Ring for Armtex hose 4"	
3	16150513-01	1	Hose connector alone 4"	
4	251476636980	1	Pin for hose	
5	181085112	2	H-Shackle galv. 3/8"	
6	181085016	2	Longlink chain galv. 6mm	
7	14191250	1	Camlock (female) with inside threads 4" (type D)	
8	16150514-01	4	Hose cone for 4" hose reel	
9	16150511-01	4	Ring for 4" hose connector	
10	13150020	1	Return valve w/flap 4"	
11	251476642220	1	Exhaust for slurry inlet	
12	13100008	1	Ball valve female/female 1"	
13	012120408	1/2	Pipe galv. 1"x120mm	
14	16080245	1	Hose, clear w/reinforcement 1 1/4" (32,0x42,0)	
15	251476630080	2	Bracket for slurry pipe	
16	000280416	1	Addaptor no.280 galv. 4"	
17	2514850116	1	Slurry valve 4"	
18	251476691940	1	Wrench for 4" ball valve	
19	251476691230	1	Tightening cone for hose reel	
20	251476691240	1	Clamp band for hose reel	
21	25141930730	1	Steel nut M12	
22	25141930907	2	Washer M12	
23	25141920320	1	Bolt M12x120	



Connection pipes (2010 and earlier)



Self-propelled Slurry Distributor SDS7000
Model year 2007 - 2012

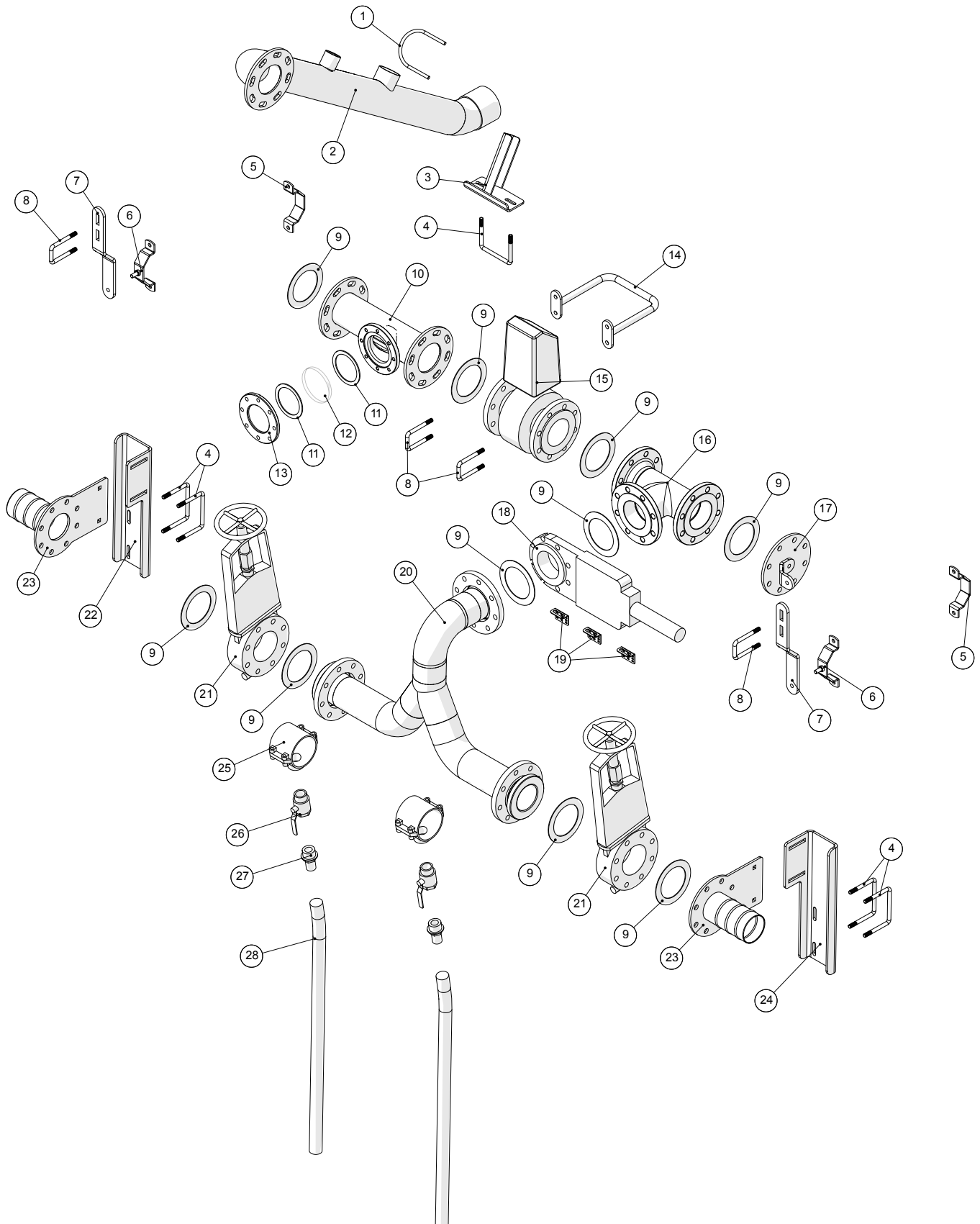
Date: 13/8-2013

Page 57

Connection pipes (2010 and earlier)

Pos. no.	Item no.	Pcs.	Description	Note
1	251476801163	1	Outlet pipe from hose reel	
2	10381115	1	Pipe u-clamp Ø115x145mm M10	
3	251476802248	1	Bracket for outlet pipe	
4	251476634940	4	U-clamp	
5	251476801132	1	Protection bracket for flowmeter	
6	2514801351	1	U-pipe with flange	
7	13250545	9	Flange gasket NW100	
8	251476704160	1	Outlet pipe for flowmeter	
9	251476630080	1	Bracket for slurry pipe	
10	251476636780	1	Bracket for slurry pipe	
11	251476690860	1	Bracket for flowmeter	
12	2514850376	1	Flowmeter	
13	251476691270	3	Clamp for distributor lift/platform	
14	251476642880	1	Inlet for flowmeter	
15	251476801147	2	Bracket for inductive sensor	
16	20144100	1	Ramus gate valve w/cylinder DN100	
17	251476704300	1	Console with hose connection	
18	20144105	2	Ramus gate valve w/handwheel DN100	
19	2514801350	1	Connection pipe	
20	251476704310	1	Console with hose connection	
21	10350165	2	Bracket PVC	
22	13100070	2	Ball valve female/male 1¼"	
23	1044629532	2	Hose connector straight 1¼"	
24	16050010	2x1m	Blue Drainage hose 1¼"	

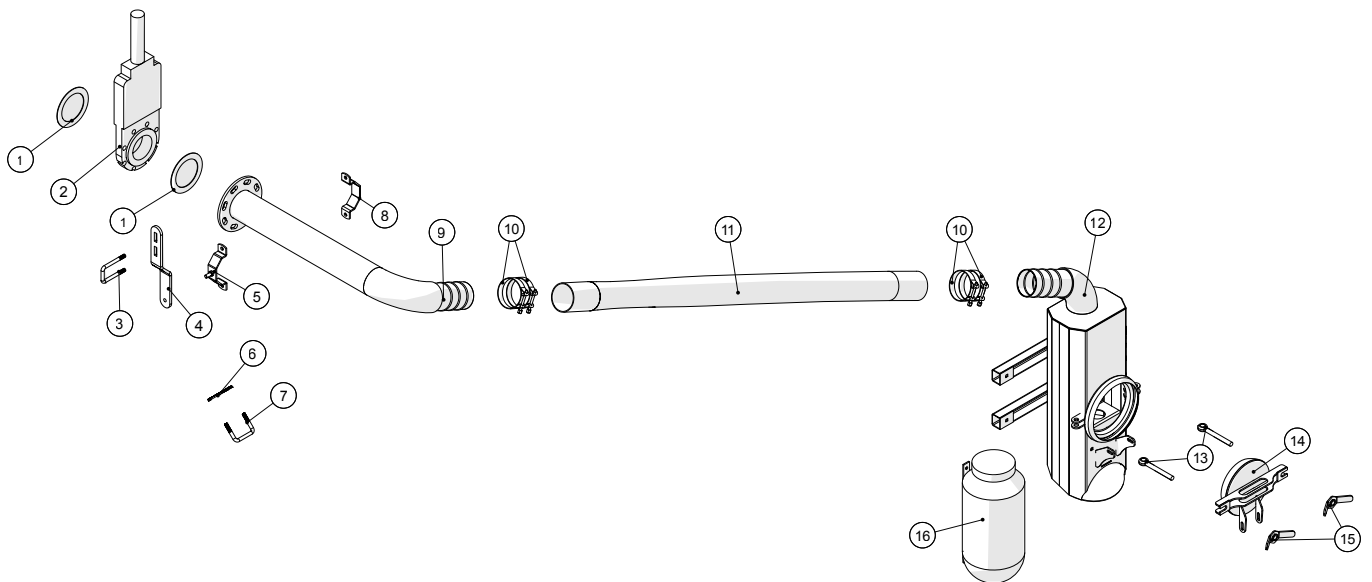
Connection pipes (2011 and later)



Connection pipes (2011 and later)

Pos. no.	Item no.	Pcs.	Description	Note
1	10381115	1	Pipe u-clamp Ø115x145mm M10	
2	251476801163	1	Outlet pipe from hose reel	
3	251476802248	1	Bracket for outlet pipe	
4	251476634940	4	U-clamp	
5	251476630080	1	Bracket for slurry pipe	
6	251476636780	1	Bracket for slurry pipe	
7	251476690860	1	Bracket for flowmeter	
8	251476691270	3	Bracket for distributor lift/platform	
9	13250545	9	Flange gasket NW100	
10	251476802316	1	Inlet for flowmeter with inspection glass	
11	251476802329	2	Gasket for inspection glass	
12	2514850930	1	Inspection glass Ø125 12mm hardened 8902	
13	251476802321	1	Clamping flange for inspection glass	
14	251476801132	1	Protection bracket for flowmeter	
15	2514850376	1	Flowmeter	
16	251476802315	1	T for sponge outlet	
17	251476802352	1	Closing plate for slurry pipe without sponges trap	
18	20144100	1	Ramus gate valve w/cylinder DN100	
19	251476801147	2	Bracket for inductive sensor	
20	251476802330	1	Connection pipe	
21	20144105	2	Ramus gate valve w/handwheel DN100	
22	251476802345	1	Bracket for hose connection	
23	251476802324	2	Hose connection	
24	251476802346	1	Bracket for hose connection	
25	10350165	2	Bracket PVC	
26	13100070	2	Ball valve female/male 1¼"	
27	1044629532	2	Hose connector straight 1¼"	
28	16050010	2x1m	Blue Drainage hose 1¼"	

Sponge trap



Self-propelled Slurry Distributor SDS7000
Model year 2007 - 2012

Date: 13/8-2013

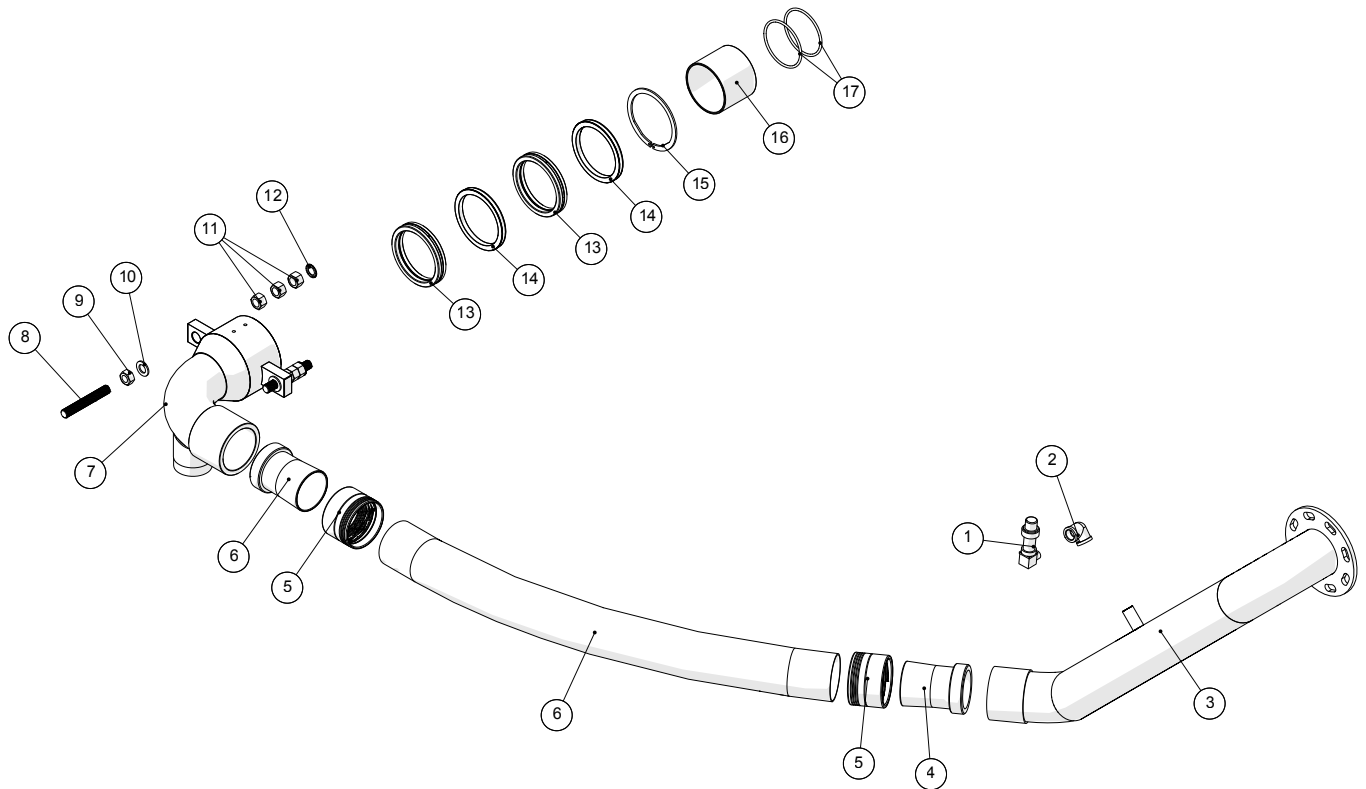
Page 61

Sponge trap

Pos. no.	Item no.	Pcs.	Description	Note
1	13250545	1	Flange gasket NW100	
2	251476802325	1	Outlet pipe from flowmeter to sponge trap	
3	251476630080	1	Bracket for slurry pipe	
4	251476636780	1	Bracket for slurry pipe	
5	251476690860	1	Bracket for flowmeter	
6	251476691270	1	Bracket for distributor lift/platform	
7	251476802357	1	Bracket for 6-way valve for sponge trap valve	
8	251476700940	1	U-Clamp 50x80	
9	16200732	4	Clamp 104-112mm	
10	16050215	1	Black ARMTEX pressure hose 4"	
11	251476802336	1	Sponge trap housing	
12	251476802336	1	Catch plate for sponge trap	
13	25032690	1	Gasket for sponge trap lid	
14	25032684	1	Sponge trap lid	
15	251476802333	1	Nozzleplate for sponge trap	
16	2514854400	1	Water tank 15L	



Swivel Joint (2010 and earlier)



Self-propelled Slurry Distributor SDS7000
Model year 2007 - 2012

Date: 13/8-2013

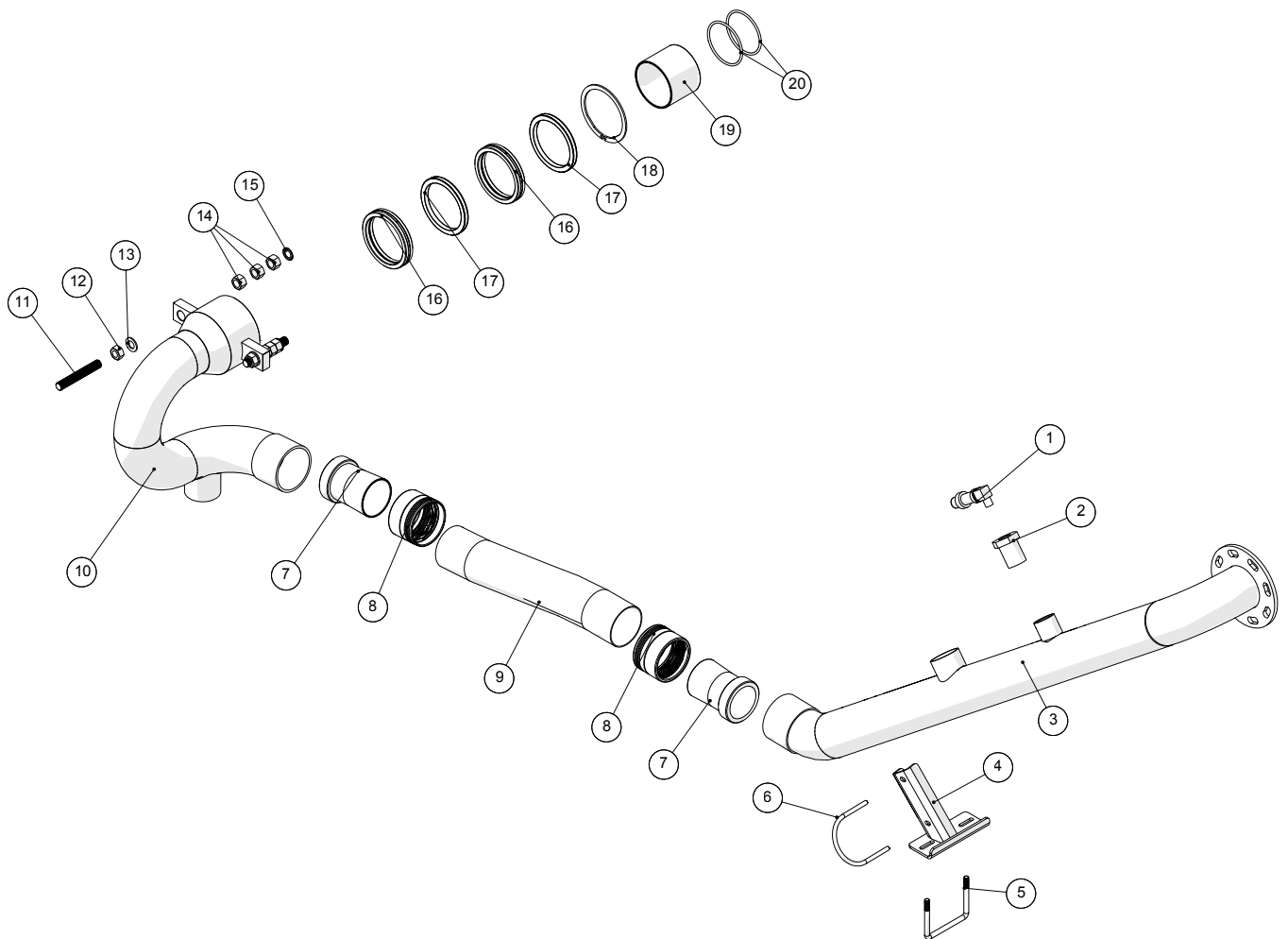
Page 63

Swivel Joint (2010 and earlier)

Pos. no.	Item no.	Pcs.	Description	Note
1	13180732	1	Pressure transmitter 0-25bar ¾"	
2	000090406	1	Elbow 90° No.90 galv. ¾"	
3	251476331280	1	Slurry pipe	
4	16150512-01	2	Hose cone for hose reel 4"	
5	16150511-01	2	Ring for hose connection 4"	
6	16050420	1m	PU-pressure hose black 4"	
7	251476640330	1	Swivel Joint	
8	251476636940	2	Threaded rod M20x140	
9		2	Lock nut M20	
10		2	Tightening disc M20	
11		6	Nut M20	
12		2	Star washer	
13	251476801251	2	Bush for swivel with 2 seal rings	
14	2514850125	2	Seal ring 127x152x12,4mm	
15	2514932357	1	Locretaining ring J150	
16	251476632730	1	Inner pipe for reel gasket	
17	2514850124	2	O-ring Ø109,5x5,33	



Swivel Joint (2010 and later)



Self-propelled Slurry Distributor SDS7000
Model year 2007 - 2012

Date: 13/8-2013

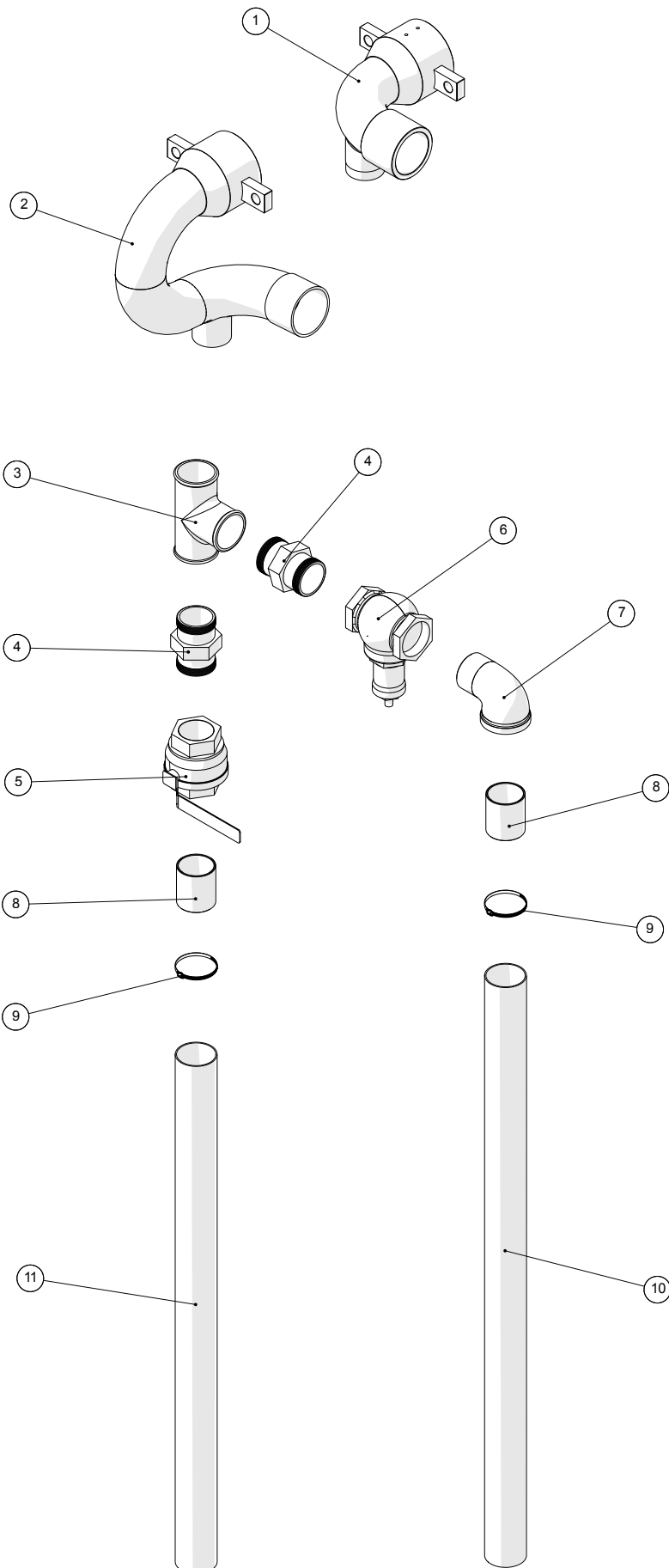
Page 65

Swivel Joint (2010 and later)

Pos. no.	Item no.	Pcs.	Description	Note
1	13180732	1	Pressure transmitter 0-25bar ¾"	2011 and earlier
1	13180731	1	Pressure transmitter 7MF1 0-25bar 1"	2011 and later
2	000241458	1	Bushing No.241 galv.1½"x1"	
3	251476801163	1	Outlet pipe from hose reel	
4	251476802248	1	Bracket for outlet pipe	
5	251476634940	1	U-clamp	
6	10381115	1	Pipe U-clamp	
7	16150512-01	2	Hose cone for hose reel 4"	
8	16150511-01	2	Ring for hose connection 4"	
9	16050420	1m	PU-pressure hose black 4"	
10	251476801164	1	Swivel joint	
11	251476636940	2	Threaded rod M20x140	
12		2	Lock nut M20	
13		2	Tightening disc M20	
14		6	Nut M20	
15		2	Star washer	
16	251476801251	2	Bush for swivel with 2 seal rings	
17	2514850125	2	Seal ring 127x152x12,4mm	
18	2514932357	1	Retaining ring J150	
19	251476632730	1	Inner pipe for reel gasket	
20	2514850124	2	O-ring Ø109,5x5,33	



Relief valve (2011 and earlier)



Self-propelled Slurry Distributor SDS7000
Model year 2007 - 2012

Date: 13/8-2013

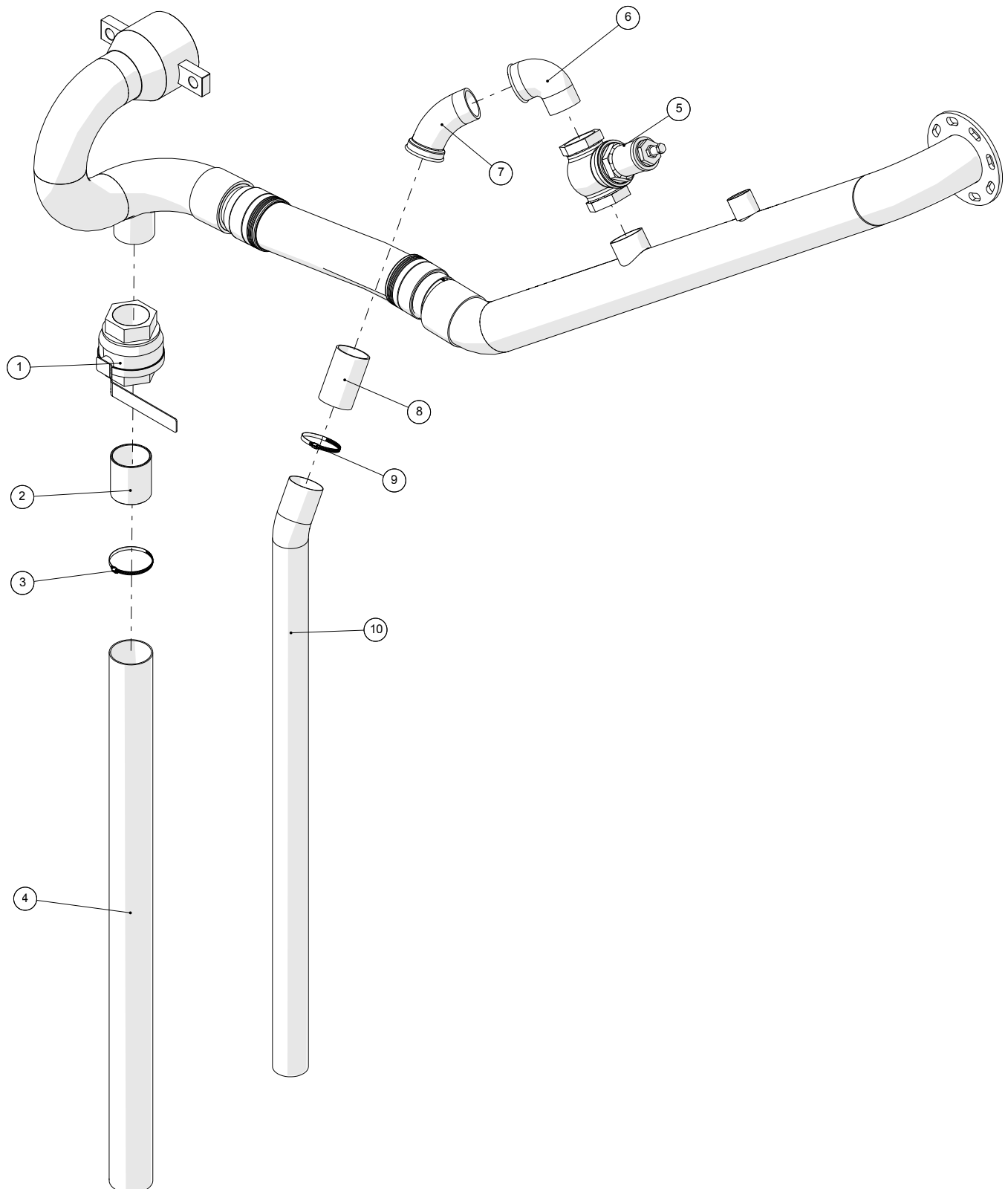
Page 67

Relief valve (2011 and earlier)

Pos. no.	Item no.	Pcs.	Description	Note
1	251476640330	1	Swivel joint	
2	251476801164	1	Outlet pipe from hose reel	
3	000130414	1	Tee No.130 galv. 3"	
4	000280414	2	Nipple No.280 galv. 3"	
5	13100018	1	Ball valve female/female 3"	
6	13080025-1	1	Relief valve w/spring+suction 3"	
7	000092414	1	Elbow No.92 galv. 3"	
8	14360030	2	Threaded pipe 3"x100mm 1 threading	
9	16200682	2	Clamp 80-100mm	
10	16050205	1,6m	Pressure hose ARMTEX black 3"	
11	16050205	1,4m	Pressure hose ARMTEX black 3"	



Relief valve (2011 and later)



Self-propelled Slurry Distributor SDS7000
Model year 2007 - 2012

Date: 13/8-2013

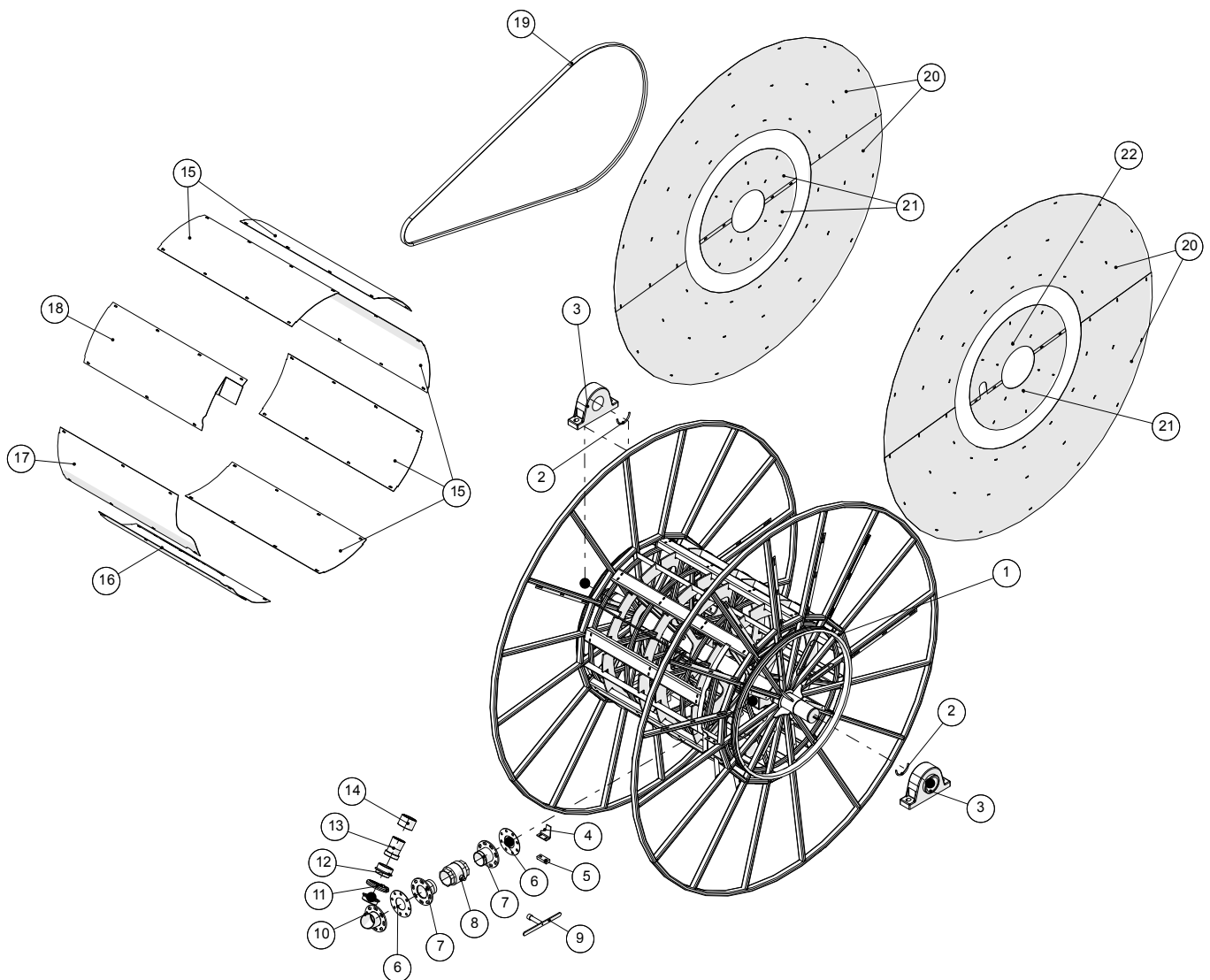
Page 69

Relief valve (2011 and later)

Pos. no.	Item no.	Pcs.	Description	Note
1	13100018	1	Ball valve female/female 3"	
2	14360030	1	Threaded pipe 3"x100mm 1 threading	
3	16200682	1	Clamp 80-100mm	
4	16050205	1,4m	Pressure hose ARMTEX black 3"	
5	13080020	1	Relief valve w/O-ring 2½"	
6	000092413	1	Elbow 90° No.92 galv. 2½"	
7	000040413	1	Elbow 45° No.40 galv. 2½"	
8	14360022	1	Threaded pipe 2½"x120mm 1 threading	
9	16200680	1	Clamp 70-90mm	
10	16050200	1	Pressure hose ARMTEX black 2½"	



Hose reel



Self-propelled Slurry Distributor SDS7000
Model year 2007 - 2012

Date: 13/8-2013

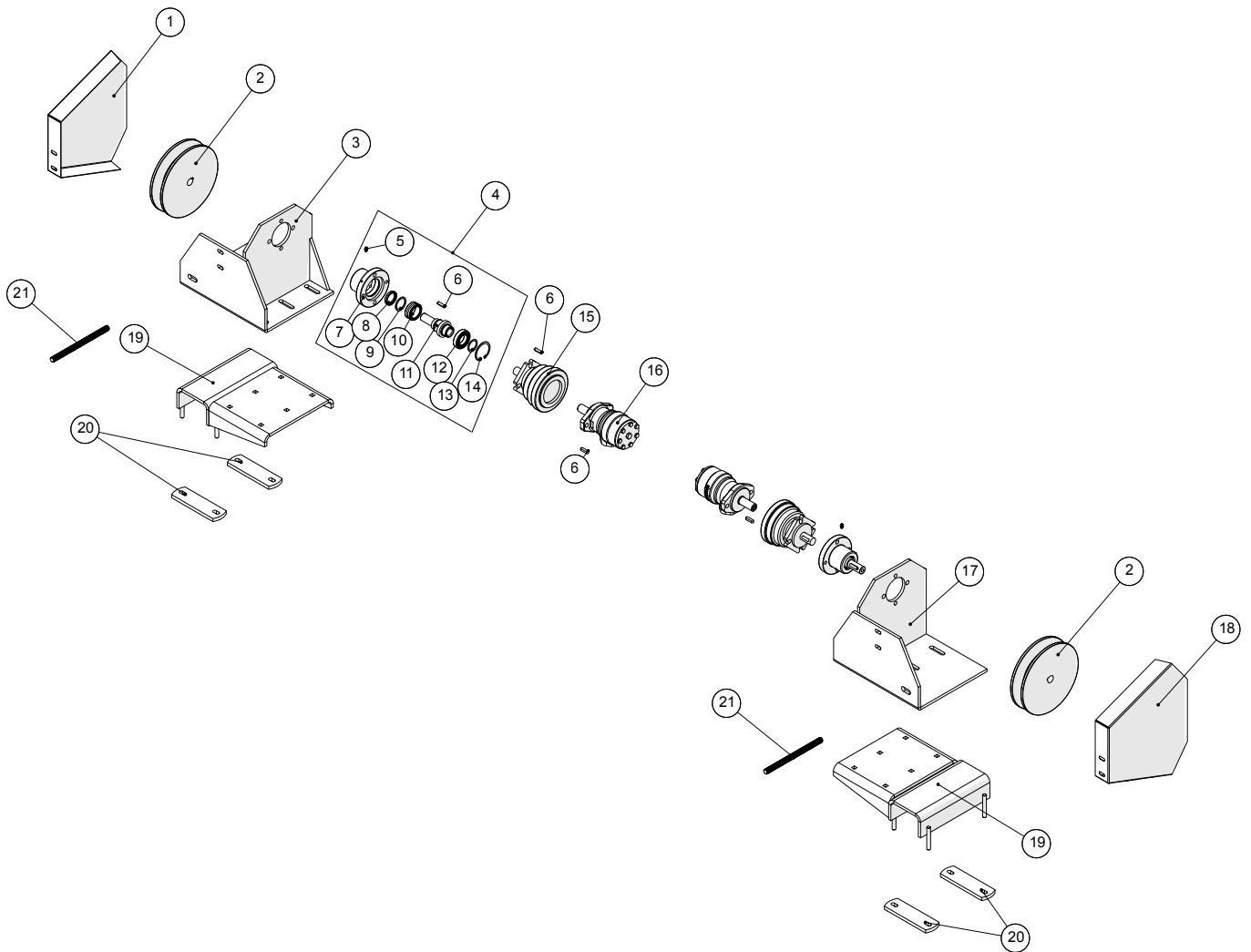
Page 71

Hose reel

Pos. no.	Item no.	Pcs.	Description	Note
1	251476106420	1	Hose reel	
2	251476801039	2	Guide ring for hose reel	
3	2514850122	2	Plummer block bearing RASE120	
4	251476633820	1	Bracket for slurry pipe in hose reel	
5	251476642860	1	Vibration absorber	
6	251476636880	2	Gasket	
7	251476636870	2	Flange w/threaded pipe	
8	2514850116	1	Slurry valve	
9	251476636410	1	Wrench	
10	251476636920	1	Slurry pipe	
11	251476691240	1	Tightening ring for hose reel	
12	251476691230	1	Tightening cone for hose reel	
13	251476643710	1	Hose cone	
14	251476643360	1	Ring	
15	251476646070	5	Casing for hose reel	
16	251476688440	1	Casing for hose reel	
17	251476688510	1	Casing for hose reel	
18	251476342780	1	Porthole	
19	2514850135	2	V-Belt E240	
20	251476330252	4	Large side plate	
21	251476330251	3	Side plates	
22	251476330253	1	Side plates	



S.A.H.R Brake



Self-propelled Slurry Distributor SDS7000
Model year 2007 - 2012

Date: 13/8-2013

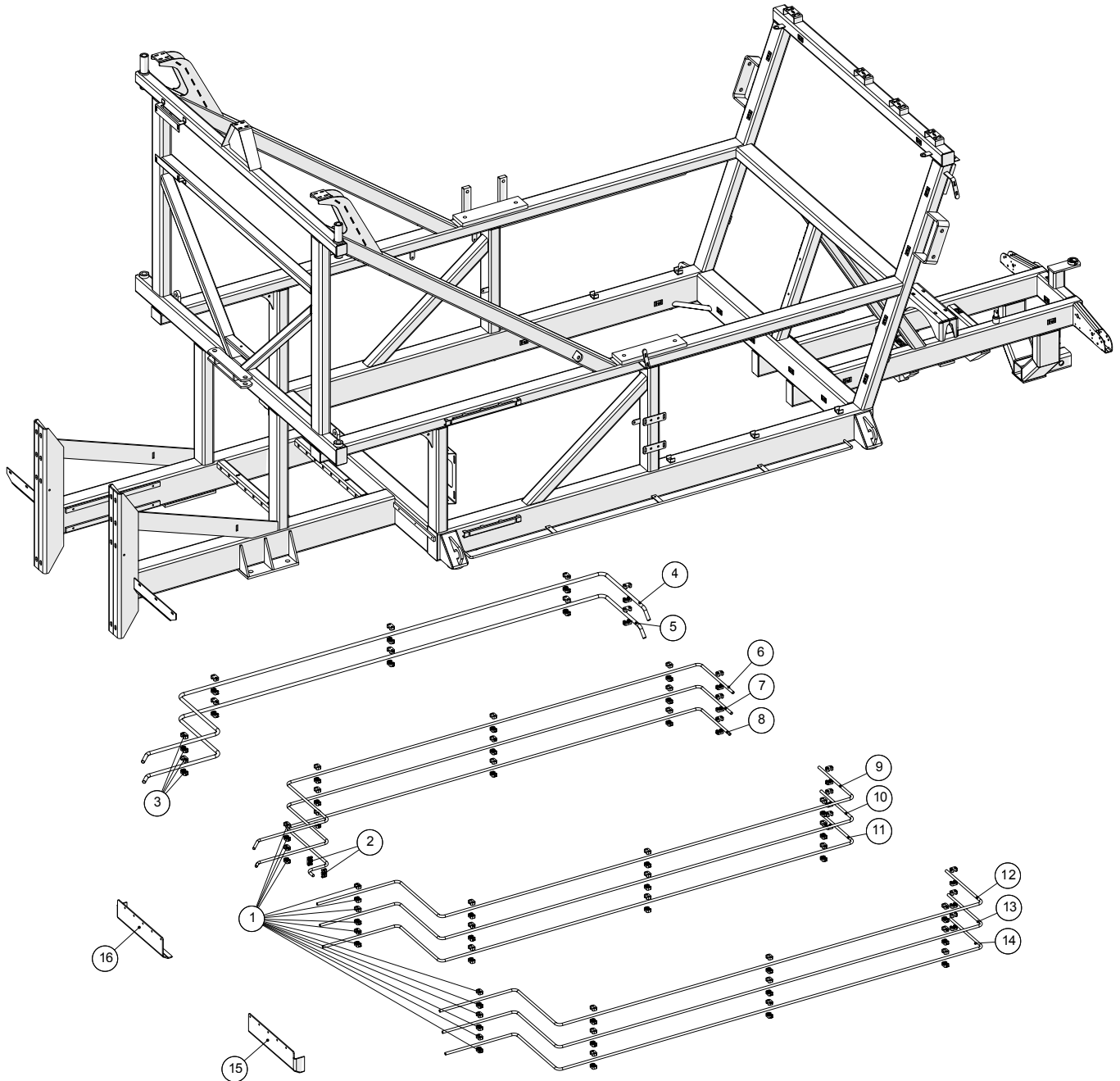
Page 73

S.A.H.R. Brake

Pos. no.	Item no.	Pcs.	Description	Note
1	251476632282	1	Cover for reel drive, right	
2	251476634781	2	Pulley for reel drive	
3	251476330411	1	Console for reel drive, right	
4	251476640840	2	Support bearing	
5	15140037800108	2	Lubricating nipple M8	
6	2514931373	6	Parallel key A8x7x32	
7	251476330850	2	Bearing housing of support bearing	
8	2514509084	2	Simmerring 35x47x7	
9	15140037610040	2	Retaining ring A40	
10	2514501190	2	Needle Bearing NKI 40-20	
11	251476632550	2	Shaft for support bearing for reel drive	
12	19300600702	2	Ball bearing 6007 2RS	
13	15140037610035	2	Retaining ring A35	
14	2514932262	2	Retaining ring J62	
15	2514851451	2	S.A.H.R Brake	
16	251413718700	2	Oil Motor OMR160 DANFOSS	
	251413718700-01	2	Seal kits for Oil Motor OMR160 DAN-FOSS	
17	251476330412	1	Console for reel drive, left	
18	251476632281	1	Cover for reel drive, left	
19	251476639370	2	Console for reel drive	
20	251476631350	4	Bracket for console and reel drive	
21	251476634900	2	Tension rod for reel drive M16x250	



Hydraulic pipes



Self-propelled Slurry Distributor SDS7000
Model year 2007 - 2012

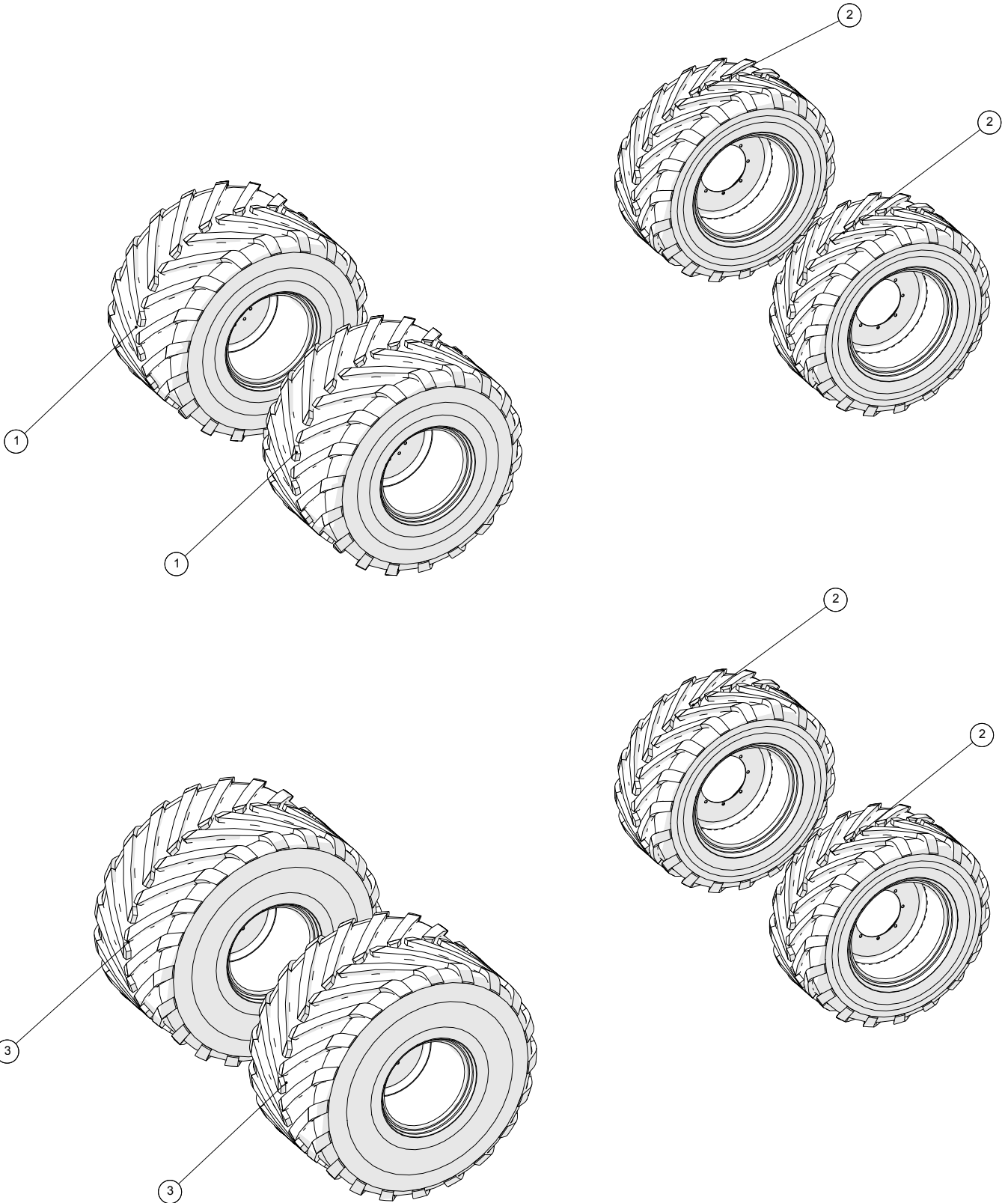
Date: 13/8-2013

Page 75

Hydraulic pipes

Pos. no.	Item no.	Pcs.	Description	Note
1	51000015-01	88	Clamp - single, 15mm	
2	51000115-01	2	Clamp - double, 15mm	
3	51000020-01	20	Clamp - single, 20mm	
4	25204050	1	Hydraulic pipe, right, top, outer	
5	25204045	1	Hydraulic pipe, right, lower, outer	
6	25204005	1	Hydraulic pipe, right, top, inner	
7	25204010	1	Hydraulic pipe, right, middle, inner	
8	251476801326	1	Hydraulic pipe, right, lower, inner	
9	25204030	1	Hydraulic pipe, left, top, inner	
10	25204035	1	Hydraulic pipe, left, middle, inner	
11	25204040	1	Hydraulic pipe, left, lower, inner	
12	25204015	1	Hydraulic pipe, left, top, outer	
13	25204020	1	Hydraulic pipe, left, middle, outer	
14	25204025	1	Hydraulic pipe, left, lower, outer	
15	251476802245	1	Protection plate for hydraulic pipes, left	
16	251476802246	1	Protection plate for hydraulic pipes, right	

Wheels



Self-propelled Slurry Distributor SDS7000
Model year 2007 - 2012

Date: 13/8-2013

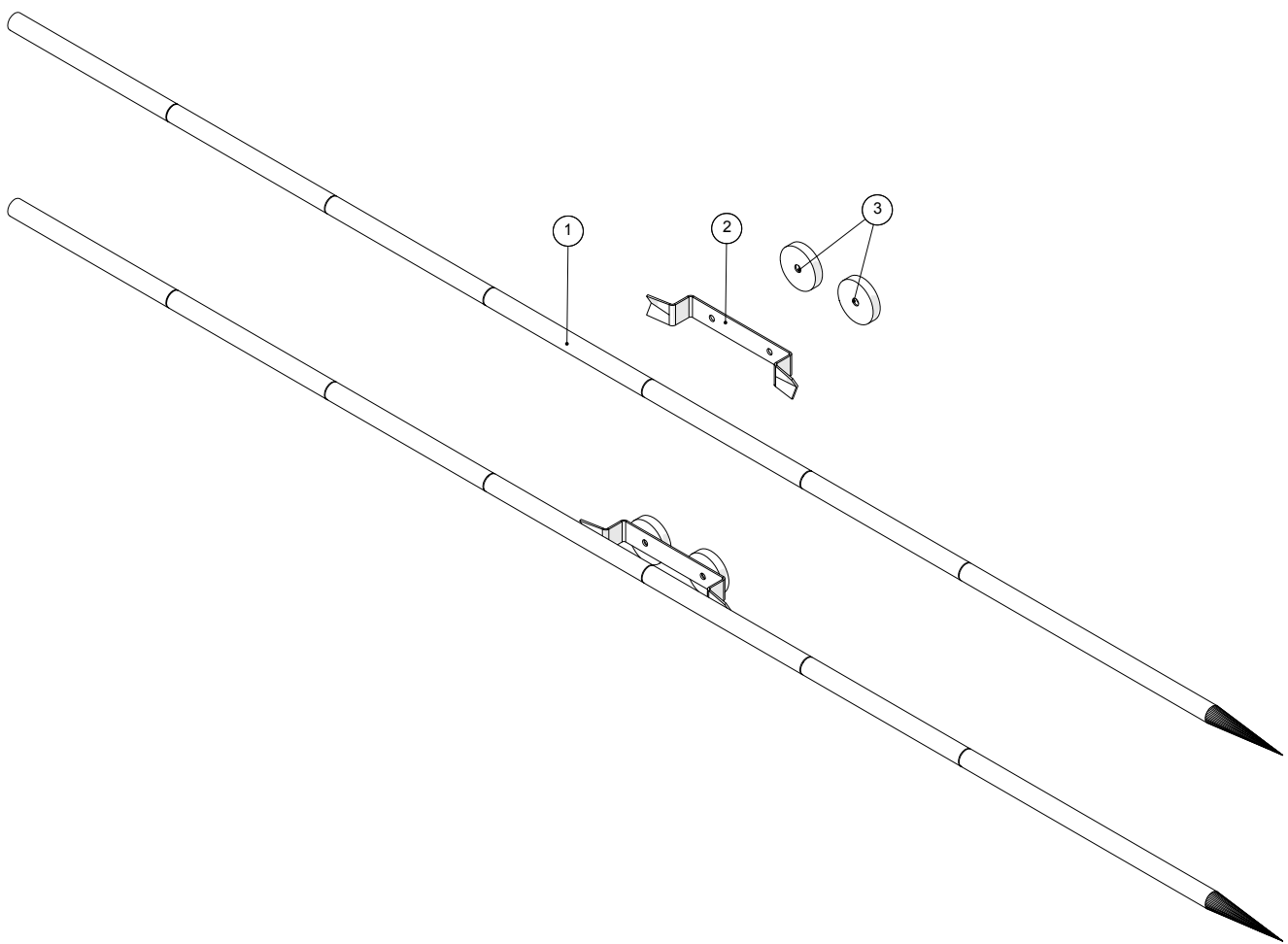
Page 77

Wheels

Pos. no.	Item no.	Pcs.	Description	Note
1	2514800882	2	MICHELIN MEGAXBIB 1000/50 R25 RA-DIAL TIRE	Remember to point out whether it should be mounted on right or left side.
	2514800882-01		Tire	
	2514800882-02		Rim	
2	2514800883	2	MICHELIN MACHXBIB 710/55 R30 RA-DIAL TIRE	Remember to point out whether it should be mounted on right or left side.
	2514800883-01		Tire	
	2514800883-02		Rim	
3	2514800884	2	MICHELIN MEGAXBIB 1050/50 R32 TL TS	Remember to point out whether it should be mounted on right or left side.
	2514800884-01		Tire	
	2514800884-02		Rim	



Ranging Pole



Self-propelled Slurry Distributor SDS7000
Model year 2007 - 2012

Date: 13/8-2013

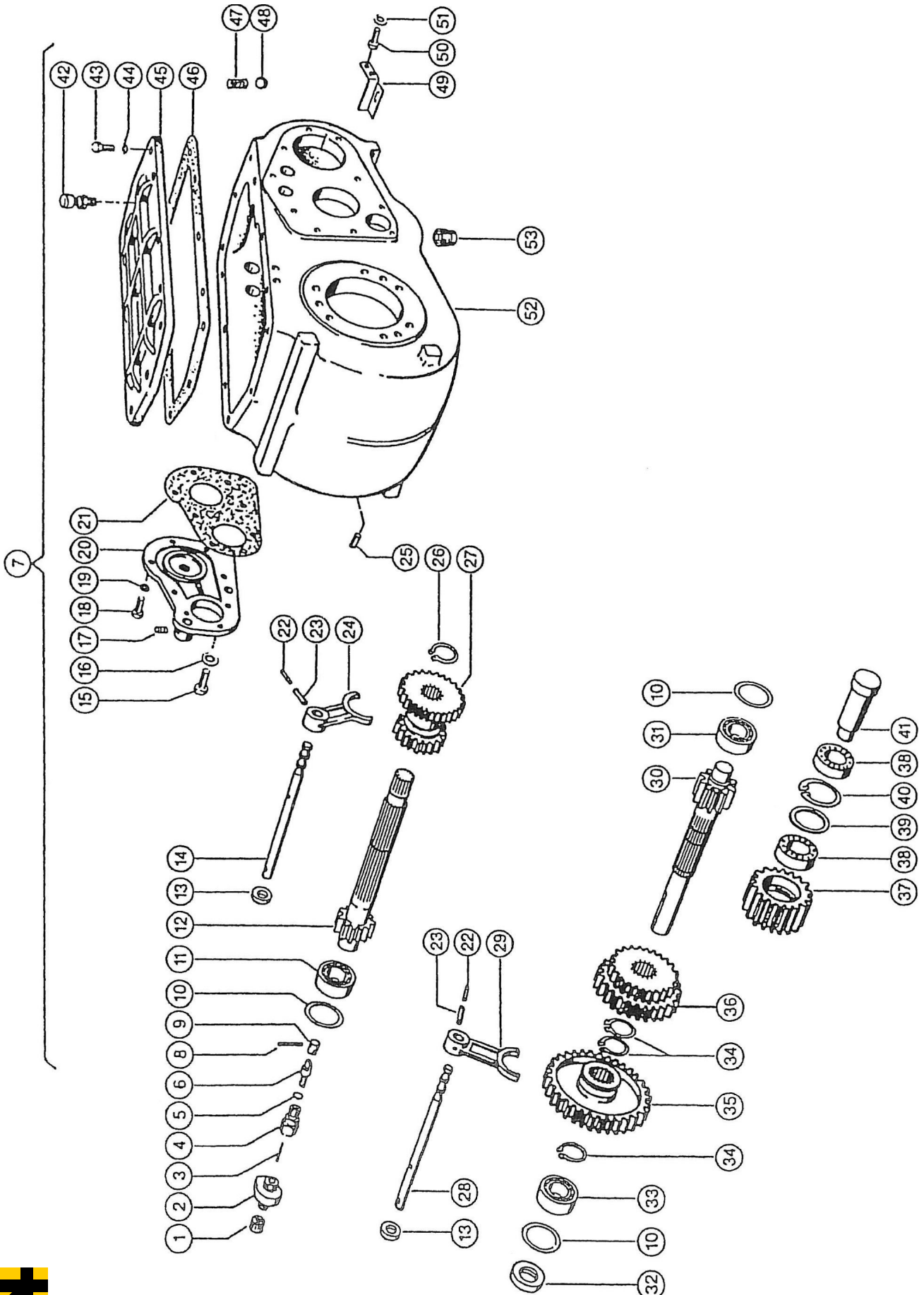
Page 79

Ranging Pole

Pos. no.	Item no.	Pcs.	Description	Note
1	25110020	2	Ranging Pole	
2	251476641220	2	Bracket for ranging Pole	
3	2514861709	4	Magnet Ø50 w/hole	



Gearbox housing



Self-propelled Slurry Distributor SDS7000
Model year 2007 - 2012

Date: 13/8-2013

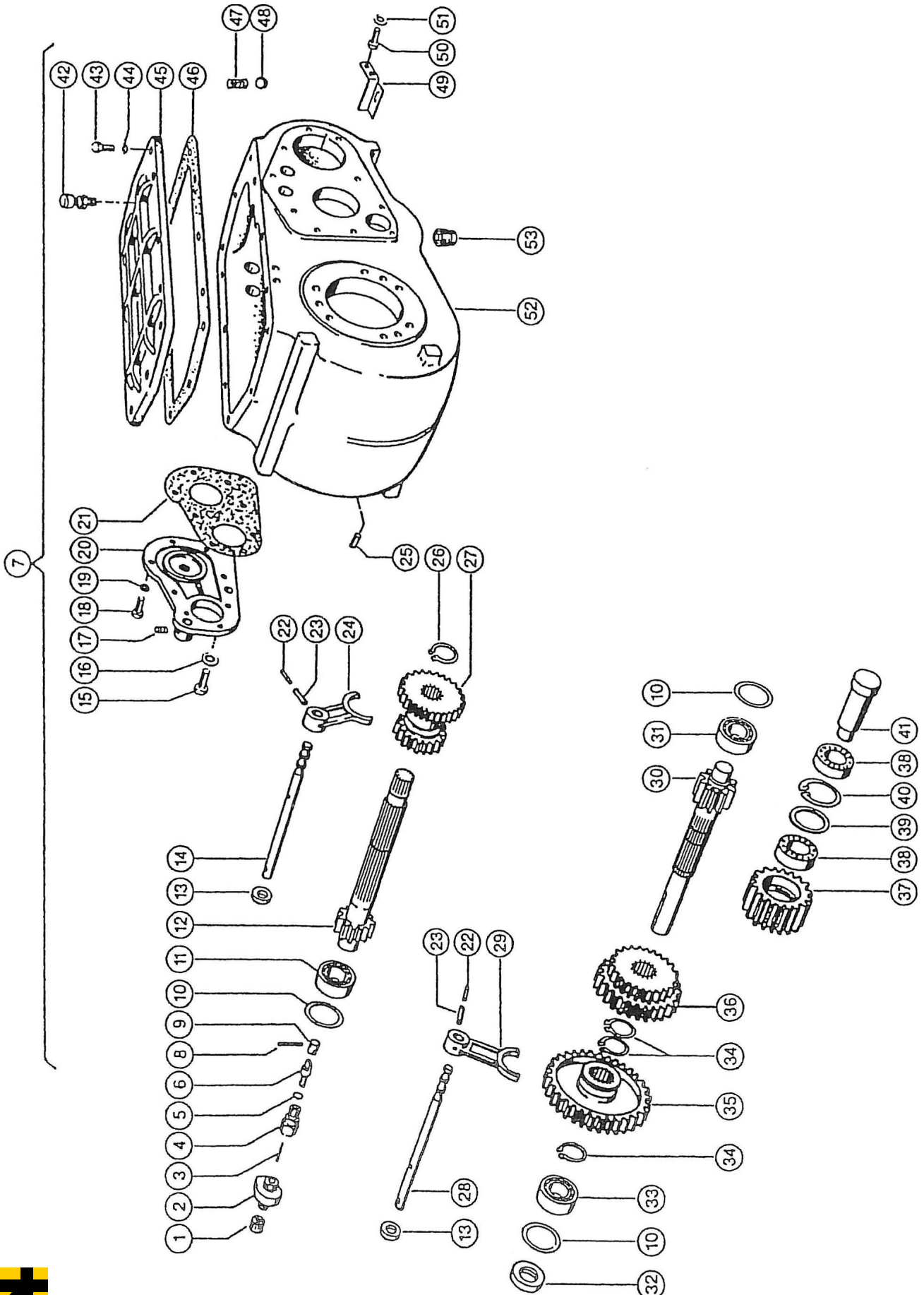
Page 81

Gearbox housing

Pos. no.	Item no.	Pcs.	Description	Note
1	25122370		End Cap	
2	25122375		Frequency Generator	
3	25122380		Coupling	
4	25122385		Union	
5	25122390		Sealing ring 8x2 Nb78	
6	25122395		Coupling part	
7	25122400		Gear box	
	25122405		Gear box	
8	25122410		Retaining pin 3,5x30	
9	25122415		Coupling	
10	25122420		Shim 68x79,5x0,1	
	25122425		Shim 68x79,5x0,3	
	25122430		Shim 68x79,5x0,5	
11	25122435		Roller bearing D73x350,5	
12	25122440		Drive shaft	
	25122445		Drive shaft	
	25122450		Drive shaft	
13	25122455		Simmerring AS20x30x7	
14	25122460		Switching rod	
15	25122465		Bolt 12H11x11x25	
16	25122470		Spring washer M12	
17	25122475		Threaded pin M8x16 45H	
18	25122480		Bolt M10x25 8,8	
19	25122485		Spring washer M10	
20	25122490		Gearbox cover	
	25122495		Gearbox cover	
21	25122500		Gasket 3,5x36	
22	25122505		Retaining pin 3,5x36	
23	25122510		Retaining pin 6x36	
24	25122515		Shift Fork	
25	25122520		Bolt M10x1 8,8	
26	25122525		Retaining ring 42x1,75	
27	25122530		Double gear wheel z=21/33	
	25122535		Double gear wheel z=24/34	
28	25122540		Switching rod	
29	25122545		Switching rod	



Gearbox housing



Self-propelled Slurry Distributor SDS7000
Model year 2007 - 2012

Date: 13/8-2013

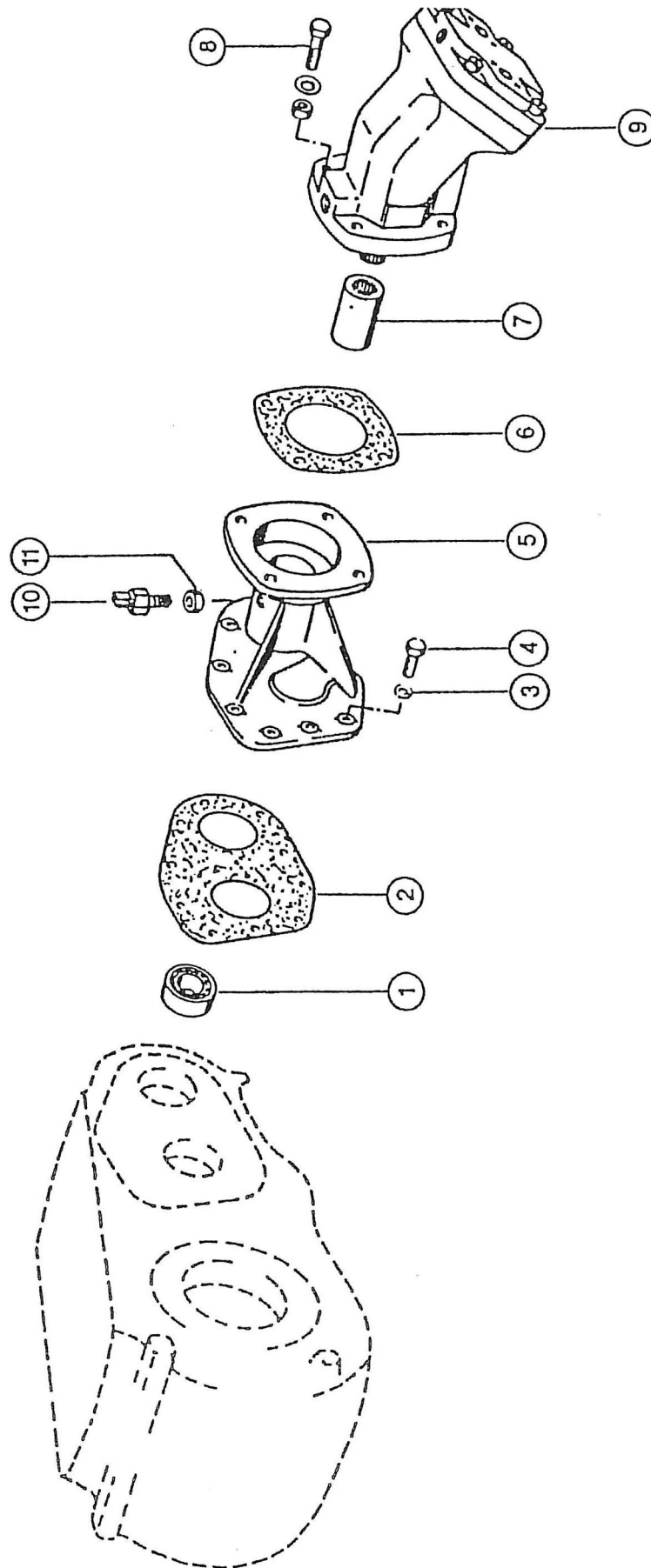
Page 83

Gearbox housing

Pos. no.	Item no.	Pcs.	Description	Note
30	25122550		Main shaft	
31	25122555		Roller Bearing NJ2208 ECP	
32	25122560		Simmerring 35x62x10	
33	25122565		Roller Bearing NJ207 ECP	
34	25122570		Retaining ring 45x1,75	
35	25122575		Gear wheel z=44	
	25122580		Gear wheel z=43	
36	25122585		Double gear wheel z=26/38	
	25122590		Double gear wheel z=25/35	
37	25122595		Middle gear wheel	
	25122600		Middle gear wheel z=23	
38	25122565		Roller Bearing NJ207 ECP	
	25122605		Roller Bearing NJ2207 ECP	
39	25122610		Distance Ring 63x71,9x2,8	
40	210422220174		Retaining ring J72	
41	25122620		Middle shaft	
42	25122625		air vent	
43	25122630		Hex Bolt M8x25 8.8 A3C	
	25122635		Countersunk Screw M8x20 8.8	
44	25122640		Washer A8	
45	25122645		Gearbox lid	
46	25122650		Gasket	
47	25122655		Compression spring	
48	25122660		Ball	
49	25122665		Oil deflector plate	
50	25122670		Hex Bolt M6x25 8.8 A3c	
51	25122675		Washer S6	
52	25122680		Gearbox housing	
53	25122685		Magnetic plug M24x1,5	



Linde engine



Self-propelled Slurry Distributor SDS7000
Model year 2007 - 2012

Date: 13/8-2013

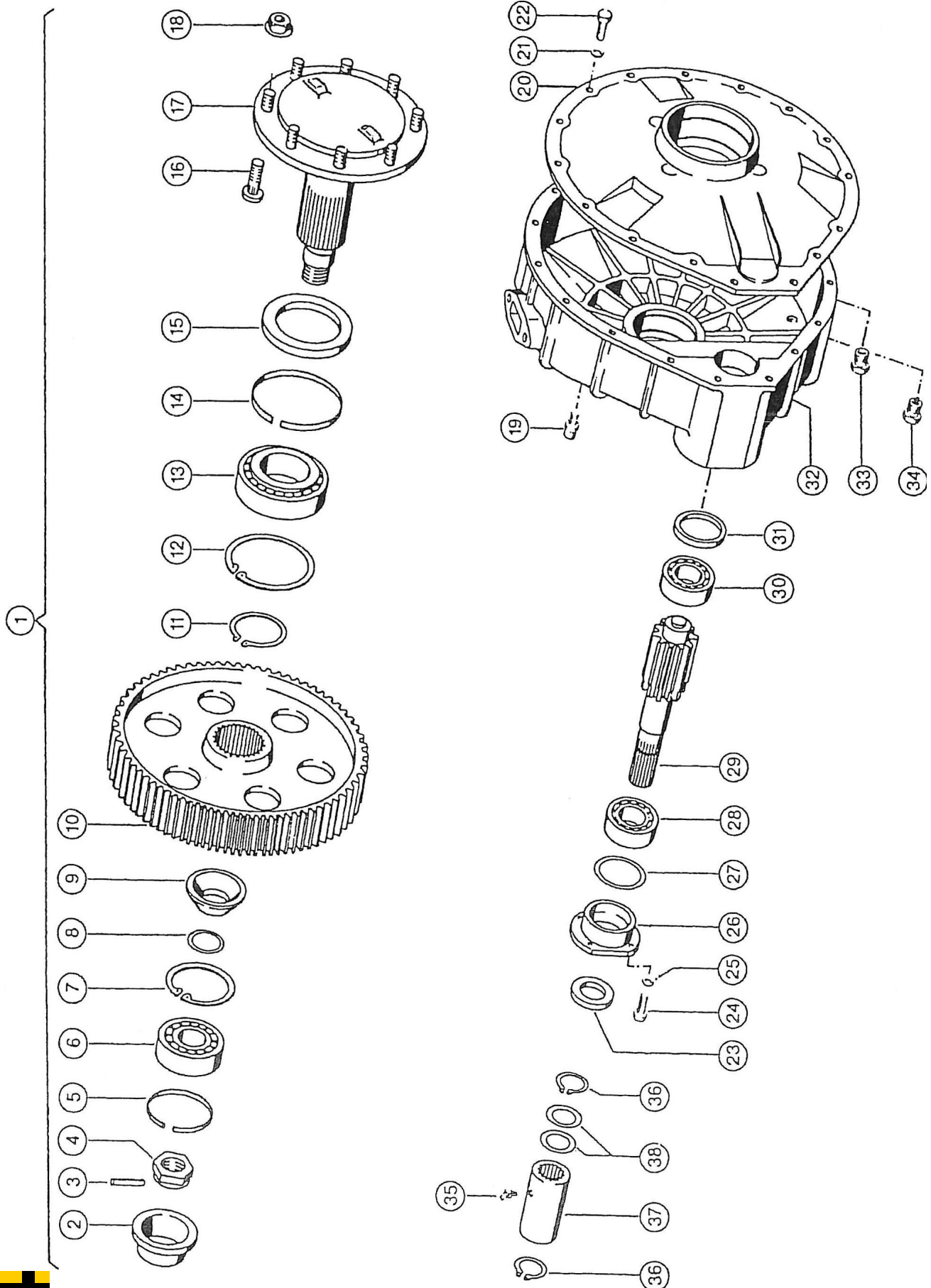
Page 85

Linde engine

Pos. no.	Item no.	Pcs.	Description	Note
1	193006207		Ball bearing 6207	
2	25122690		Gasket	
3	25122485		Spring washer M10	
4	25122700		Hex Screw M10x30 8.8	
5	25122705		Flange housing	
6	25122710		Gasket	
7	25122715		Profile bushing	
8	25122720		Hex Screw M12x50 8.8	
	25122725		Hex nut M12 8.8	
	25122730		Spring washer M12	
9	25110493		Linde oil engine	
10	25122735		Sensor for cooling water	
11	25122740		Nut for sensor	



Wheel Gear Housing



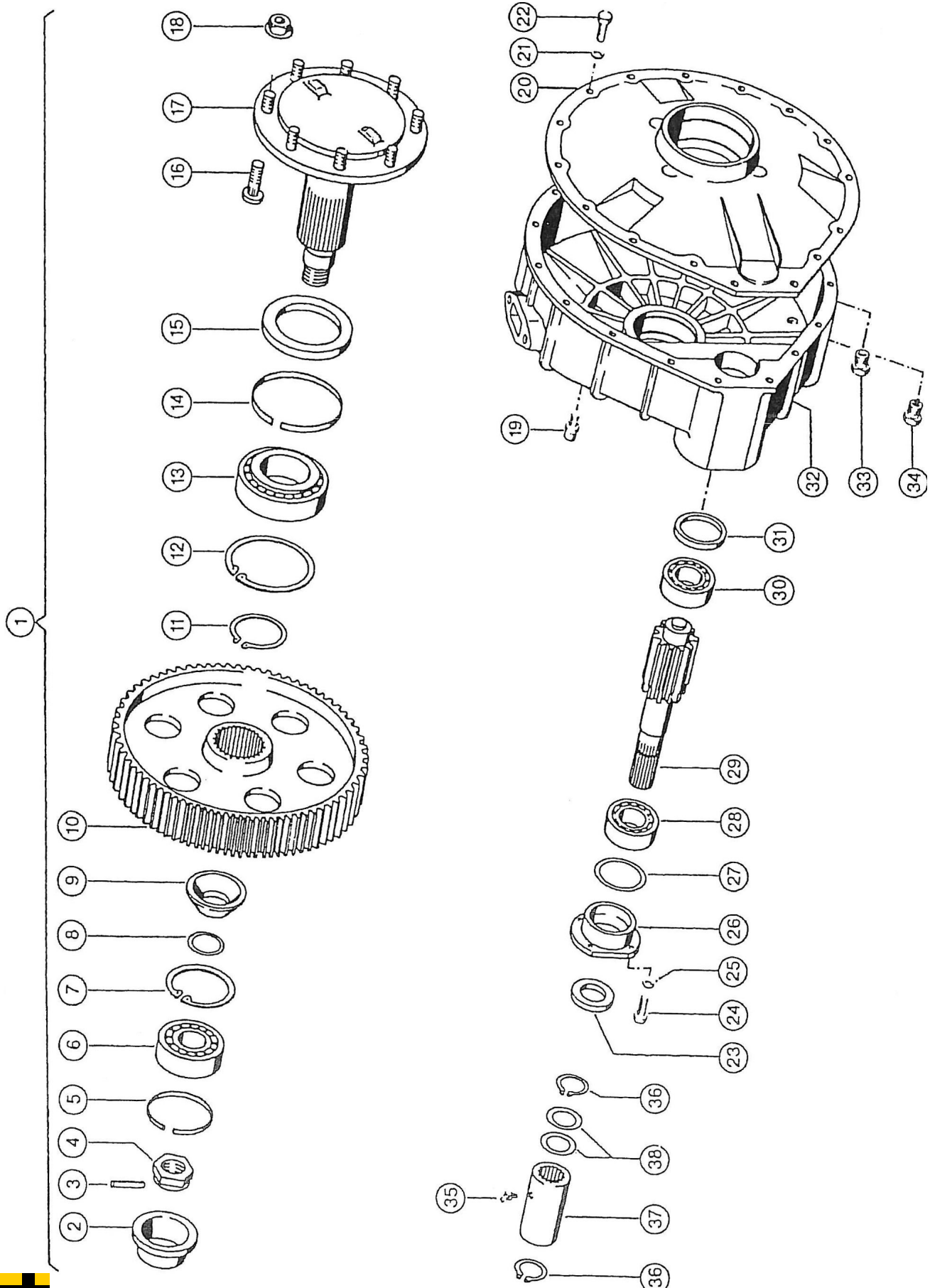
Self-propelled Slurry Distributor SDS7000
Model year 2007 - 2012

Date: 13/8-2013

Page 87

Wheel Gear Housing				
Pos. no.	Item no.	Pcs.	Description	Note
1	25122950		End drive Claas, left	
	25122951		End drive Claas, right	
2	25122955		End cover	
3	25122960		Retaining pin 8x60	
	25122965		Retaining pin 5x60	
4	25122970		Crown nut M42x1,5	
5	25122975		Washer	
6	193030310		Roller Bearing 30310	
7	25122985		Retaining ring A110x4	
8	25122990		Shim 50x62x1	
9	25122995		Conical ring	
10	25123000		Sprocket z=98	
11	25123005		Retaining ring 80x4	
12	25123010		Retaining ring 150x4	
13	193033020		Roller Bearing 33020	
14	25123020		Wasker	
15	25123025		Simmerring 110x150x15	
16	25123030		Wheel Bolts for Claas hub	
17	25123035		Wheel Axle	
18	25123050		Flange nut H22 10 Claas	
19	25123055		Air vent	
20	25123060		Wheel Gear Cover	
21	25123065		Spring washer M12	
22	25123070		Hexagon Screw M12x30 8.8	
23	25123075		Simmerring AS50x65x8	
24	25123080		Hex Screw M10x25 8.8	
25	25123085		Spring washer M10	
26	25123090		Cover	
27	25122420		Shim 68x79,5x0,1	
	25122425		Shim 68x79,5x0,3	
	25122430		Shim 68x79,5x0,5	
28	193033010		Roller Bearing 33010	
29	25123100		Shaft	

Wheel Gear Housing



Self-propelled Slurry Distributor SDS7000
Model year 2007 - 2012

Date: 13/8-2013

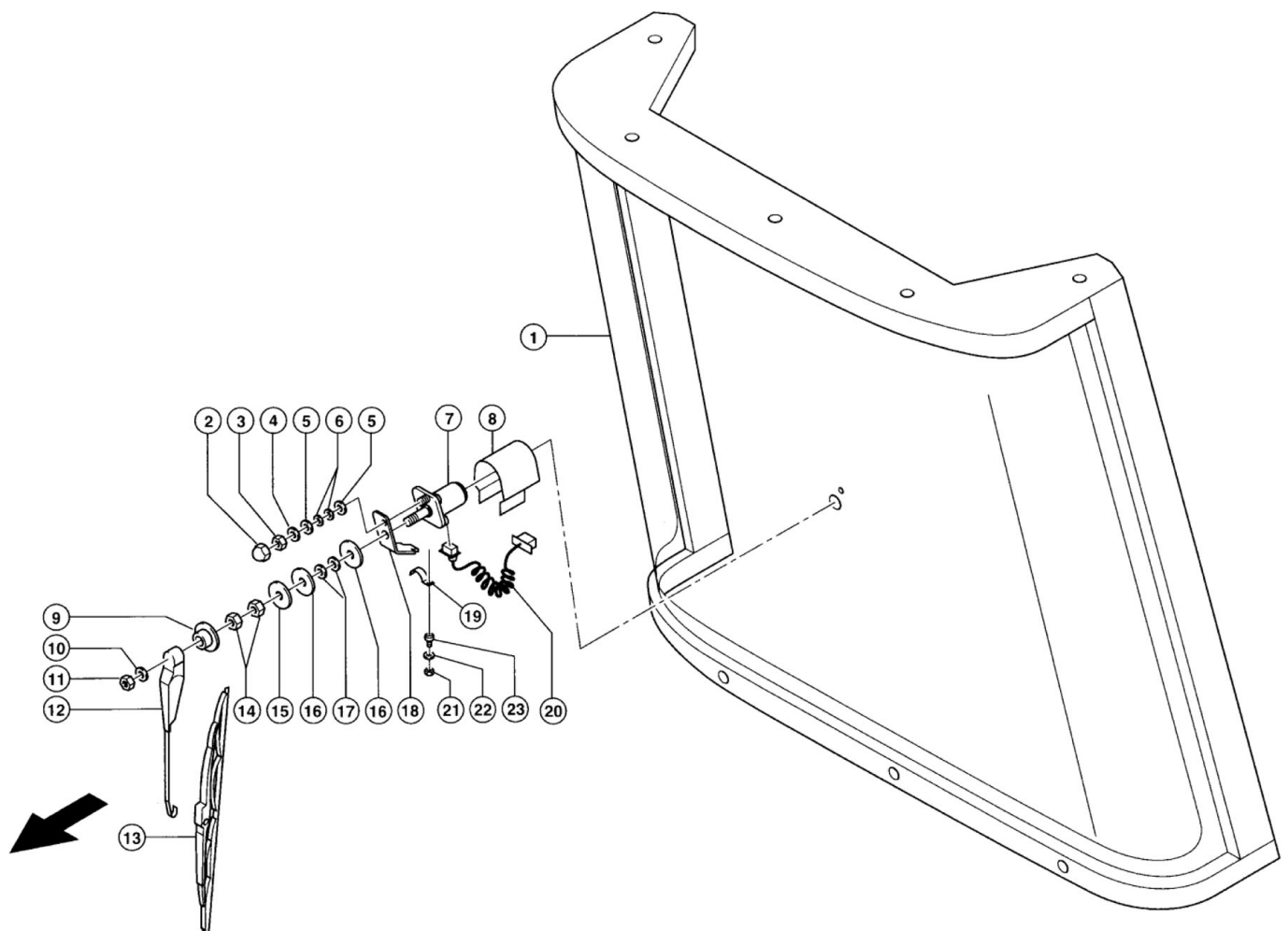
Page 89

Wheel Gear Housing

Pos. no.	Item no.	Pcs.	Description	Note
30	193032208		Roller Bearing 32208	
31	25123110		Distance Ring	
32	25123115		Wheel Gear housing, left	
	25123116		Wheel Gear housing, right	
33	25123120		Plug	
34	25123121		Plug, magnetic	
35	15140037800106		Grease nipple H1 6x1	
36	25123135		Retaining ring A45x2,5 Sd	
37	25123140		Spline bushing	
38	25123150		Washer 45x55x0,5	
39	25123155		Plug M24x1,5	



Cabin, Windshield and wiper



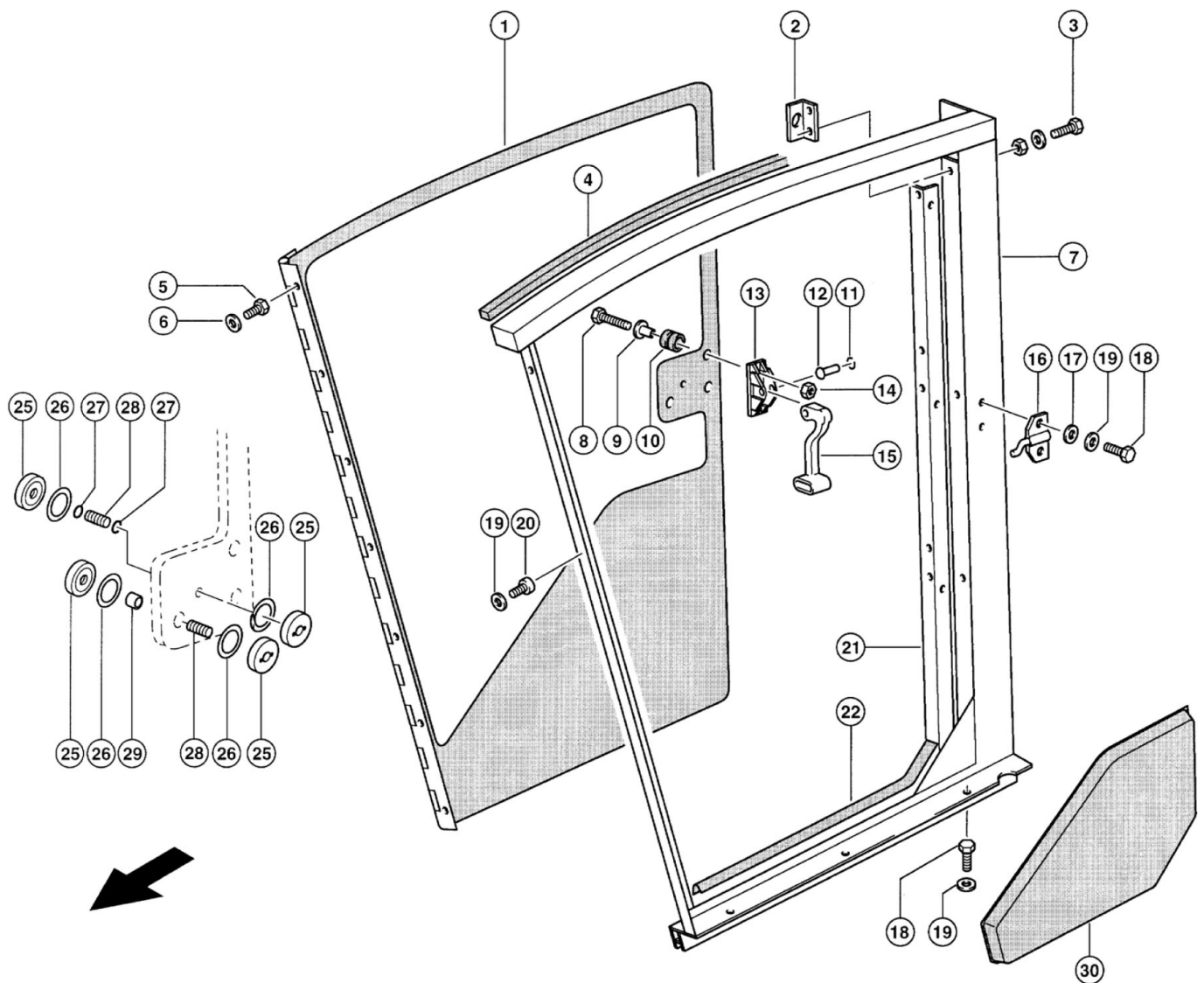
Self-propelled Slurry Distributor SDS7000
Model year 2007 - 2012

Date: 13/8-2013

Page 91

Front				
Pos. no.	Item no.	Pcs.	Description	Note
1	25140005468580	1	Front Frame	From no. 49204165
1	25140006255051	1	Front Frame	To no. 49204164
2	25140002154310	1	Guard Cap Sw 8-M 5	
3	25140002372160	1	Hex.Nut M5	
4	25140002369102	1	Washer 5,3	
5	25140006226420	2	Rubber Disc	
6	25140006226730	2	Rubber Disc	
7	25140006258260	1	Wiper Motor	
8	25140006258240	1	Cap F.Wischermotor	
9	25140006226410	1	Cap	
10	25140002150340	1	Serrated L.Washer A 6,4	
11	25140002361690	1	Hexagonal Nut M6	
12	25140006255030	1	Wiper Arm	
13	25140006226371	1	Wiper Blade	
14	25140006226400	2	Hexagonal Nut M14X1	
15	25140006226390	1	Washer 14,5X50X2	
16	25140006226380	2	Rubber Disc	
17	25140006226440	2	Rubber Disc	
18	25140000101360	1	Angle 1,5X40X144,5	
19	25140002364000	1	Attaching Clamp 1X 8-5,2	
20	25140000149930	1	Wiring Loom Scheibenwischer	From no. 49203731
20	25140000131410	1	Wire Scheibenwischer	To no. 49203730
21	25140002372160	1	Hex.Nut M5	
22	25140002364901	1	Spring Washer 5	
23	25140002420430	1	Socket Head Screw M 5X10	

Cabin, Door – right



Self-propelled Slurry Distributor SDS7000
Model year 2007 - 2012

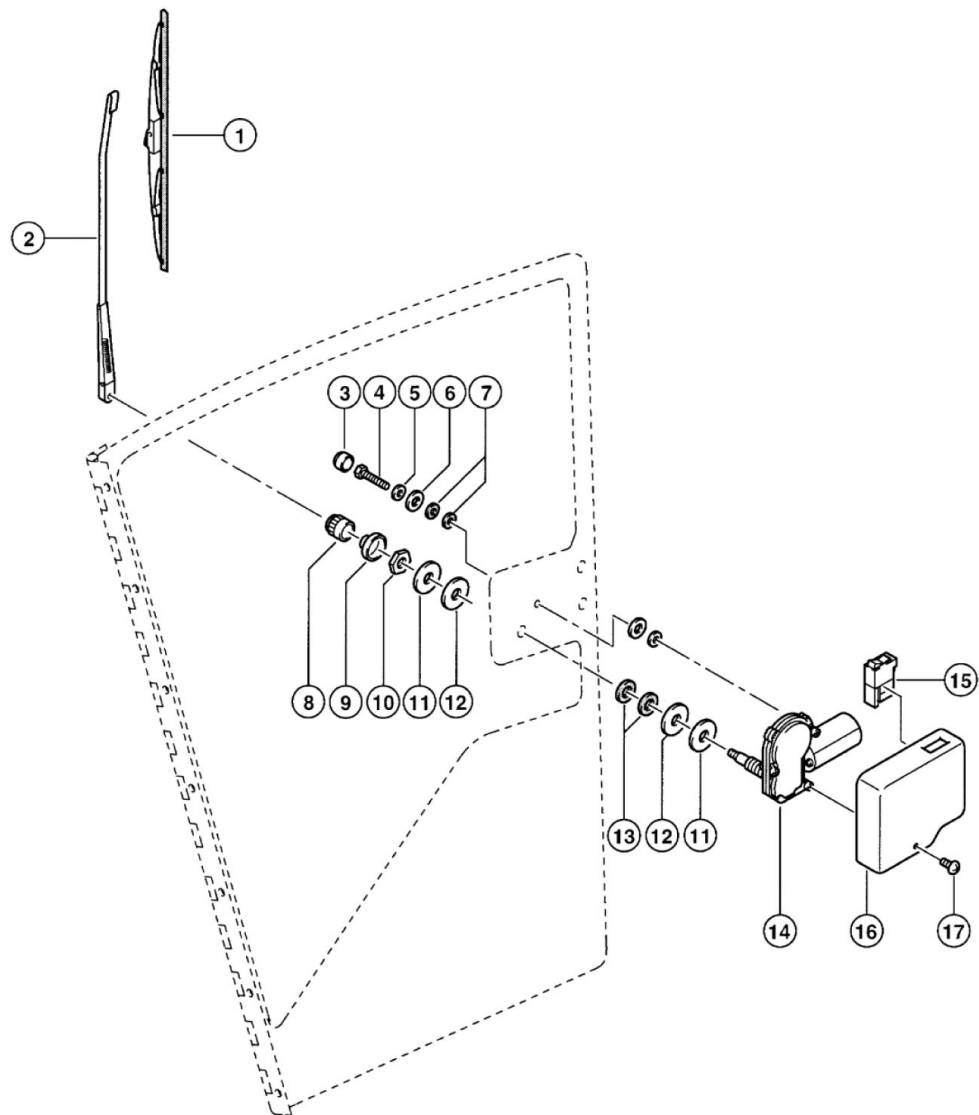
Date: 13/8-2013

Page 93

Cabside, Right Hand with Door

Pos. no.	Item no.	Pcs.	Description	Note
1	25140000694412	1	Door R.H.	
2	25140006256770	1	Angle 40x40x4x90	
3	25140002362000	5	Hexagon Head Screw M8x20	
3	25140002361700	5	Hex.Nut M8	
3	25140002393931	5	Contact Washer B8	
4	25140002055930	1	Profile 20x30x1100	1100mm
5	25140002374650	7	Hexagon Head Screw M6x16	
6	25140002393920	7	Contact Washer B 6 -6x18x1,4	
7	25140006256530	1	Side Wall R.H.	
8	25140002370690	2	Countersunk Bolt M8x30	
9	25140006258210	2	Spacer Glass	
10	25140006258200	2	Grommet A 14x19x5,5	
11	25140002363570	1	Shim 8,5x14x0,25	
12	25140006258190	1	Pin 8x23x20,5	
13	25140006258170	1	Support	
14	25140002361700	2	Hex.Nut M8	
15	25140006258180	1	Handle	
16	25140006258433	1	Locking Plate	
17	25140002369132	2	Flat Washer 10-10,5x20x2	
18	25140002362000	5	Hexagon Head Screw M8x20	
19	25140002393931	10	Contact Washer B 8	
20	25140002374390	4	Hexagon Head Screw M8x16	
20	25140002422271	1	Socket Head Screw M8x16	
21	25140006259020	1	Angle 1,5x53x1334	
22	25140001365700	1	Seal Strip 10000Lg	4700mm
25	25140006257520	4	Cap	
26	25140006257530	4	Rubber Disc	
27	25140002390280	2	O-Ring 6x2 -N	
28	25140002124270	2	Threaded Pin M6x25	
29	25140006257250	1	Spacer Tube	
30	25140007621510	1	Door Lining	

Cabin, Windscreen washer – right



Self-propelled Slurry Distributor SDS7000
Model year 2007 - 2012

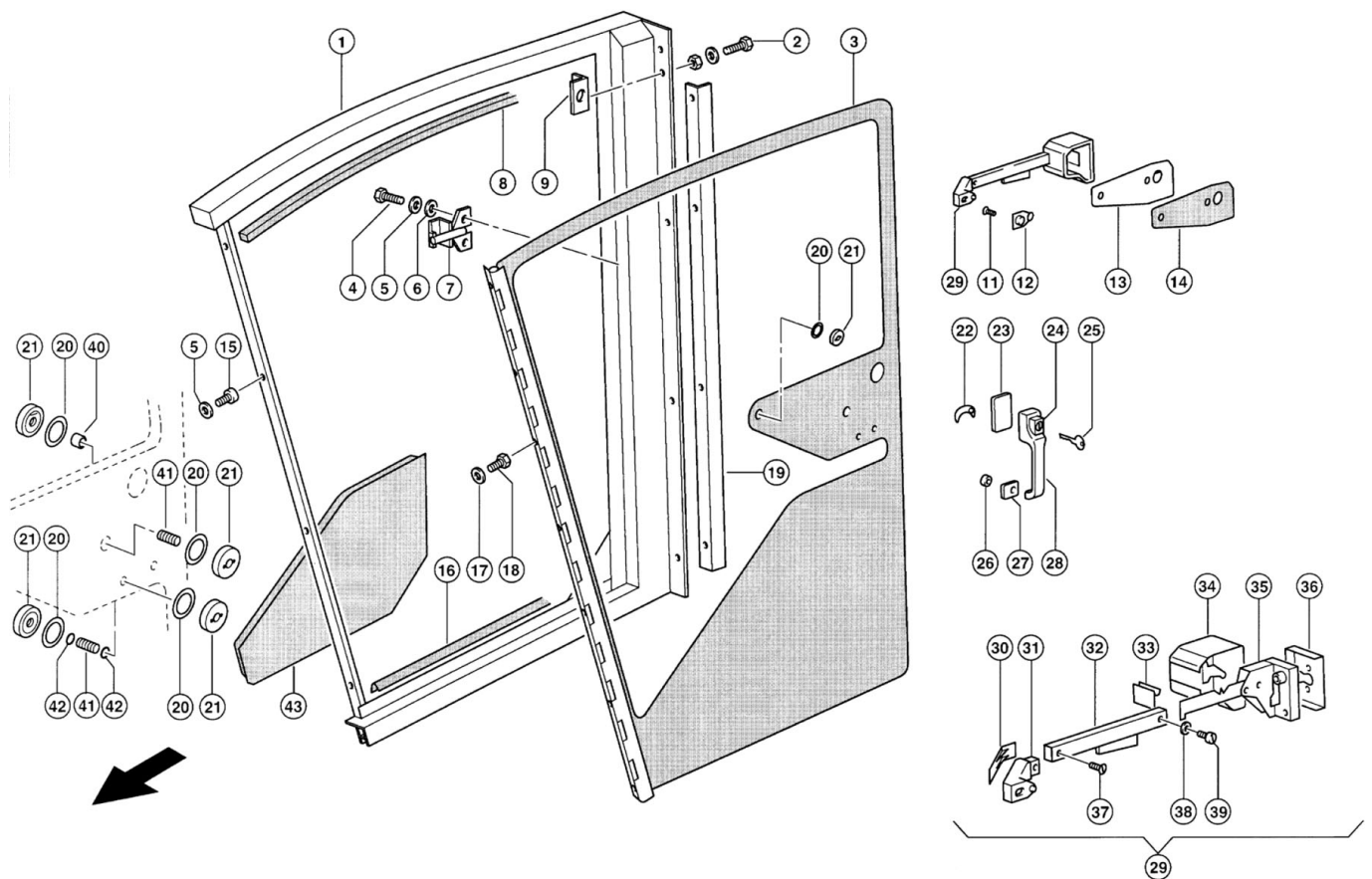
Date: 13/8-2013

Page 95

Windscreen Washer, R.H.

Pos. no.	Item no.	Pcs.	Description	Note
1	25140000694860	1	Wiper Blade	
2	25140000694850	1	Wiper Arm	
3	25140002154310	1	Guard Cap SW 8-M5	
4	25140002164710	1	Flat Head Bolt M 5x65	
5	25140002342560	1	Washer 6,2x15x1,5	
6	25140006226420	1	Rubber Disc	
7	25140006226730	1	Rubber Disc	
8	25140000694830	1	Cap	
9	25140000694890	1	Cap 22x40,5	
10	25140000694840	1	Hexagonal Nut M16x1	
11	25140001768430	2	Washer 16,5x50x1,5	
12	25140006226440	2	Rubber Disc	
13	25140006226380	2	Rubber Disc	
14	2514850522	1	Wiper Motor	
15	25140000101550	1	Rocker Switch	
15	25140000715330	1	Switch Insert	
16	25140000694881	1	Covering Rechts	
17	25140006655641	1	Coach Bolt M6x12	
17	25140002416901	1	Sealing Compound 300 MI Kartusche	300/310 MI
17	25140000695370	1	Windscreen Washer Nachrü.492	Retrofit Kit

Cabin, Door – left



Self-propelled Slurry Distributor SDS7000
Model year 2007 - 2012

Date: 13/8-2013

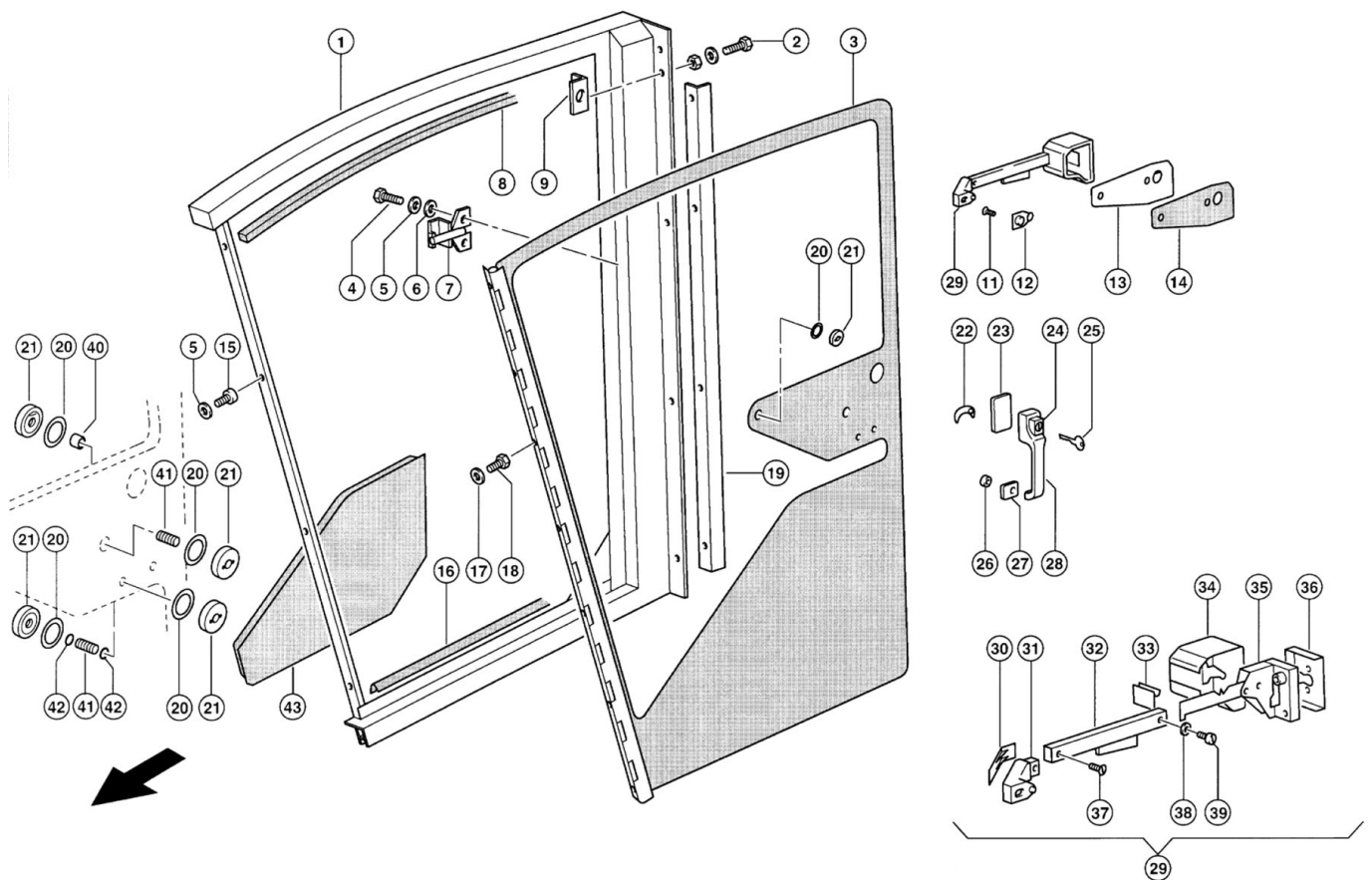
Page 97

Cab, Side Panel, L.H. - Door

Pos. no.	Item no.	Pcs.	Description	Note
1	25140006256520	1	Side Wall L.H. S	
2	25140002362000	5	Hexagon Head Screw M8x20	
2	25140002361700	5	Hex.Nut M8	
2	25140002393931	5	Contact Washer B8	
3	25140000694312	1	Door	
4	25140002362000	2	Hexagon Head Screw M8x20	
5	25140002393931	6	Contact Washer B 8	
6	25140002369132	2	Flat Washer 10-10,5x20x2	
7	25140006258231	1	Locking Plate	
8	25140002055930	1	Profile 20x30x1100	
9	25140006256770	1	Angle 40x40x4x90	
11	25140002160580	4	Countersunk Bolt M6x25	
11	25140002160570	2	Countersunk Bolt M6x20	
11	25140002369112	4	Washer 6- 6,4x12x1,6	
12	25140006257510	1	Insert	
13	25140000694341	1	Mounting Plate	
14	25140000694360	1	Shim	
15	25140002422271	4	Socket Head Screw M8x16	
15	25140002374390	1	Hexagon Head Screw M8x16	
16	25140001365700	1	Seal Strip 10000Lg	4700mm
17	25140002393920	7	Contact Washer B6 -6x18x1,4	
18	25140002374650	7	Hexagon Head Screw M6x16	
19	25140006259020	1	Angle 1,5x53x1334	
20	25140006257530	5	Rubber Disc	
21	25140006257520	5	Cap	
22	25140006257260	1	Distance Plate	
23	25140006257230	1	Shim Large	
24	25140000694331	1	Lock	incl. pos. no. 12-14, 20-23, 25-28
25	25140000131420	1	Master Key	
26	25140006257250	1	Spacer Tube	
27	25140006257240	1	Shim	
28	25140006258140	1	Handle, Exterior	
29	25140006257300	1	Door Handle	



Cabin, Door – left



Self-propelled Slurry Distributor SDS7000
Model year 2007 - 2012

Date: 13/8-2013

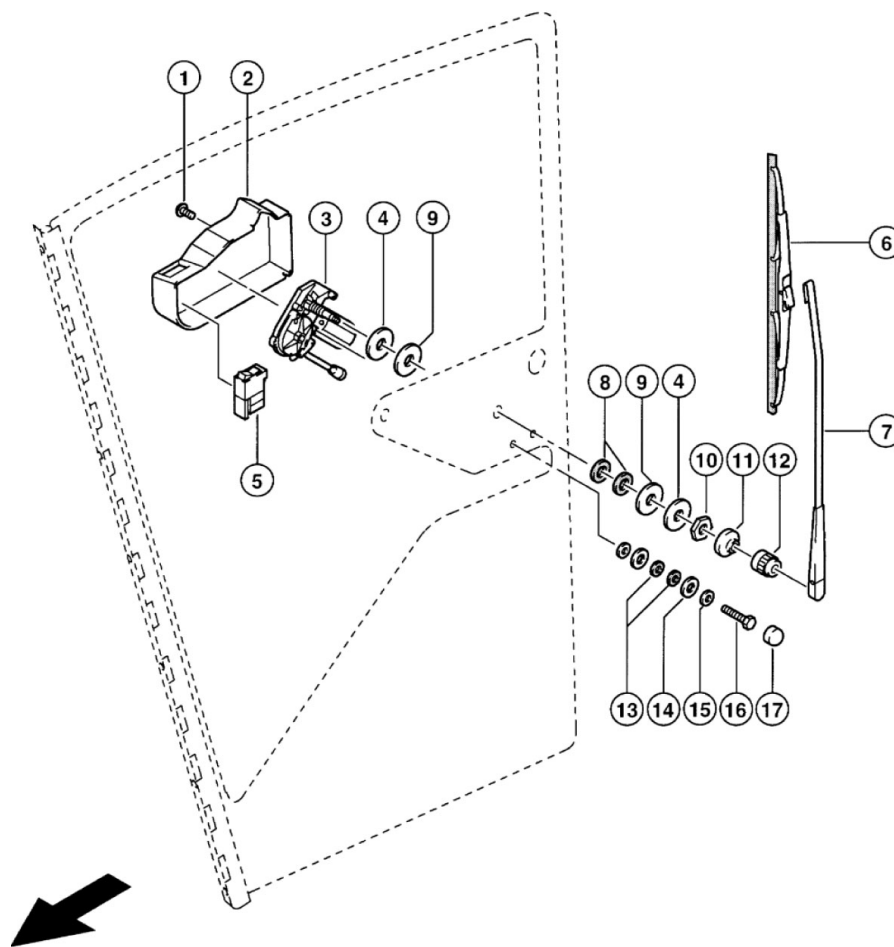
Page 99

Cab, Side Panel, L.H. - Door

Pos. no.	Item no.	Pcs.	Description	Note
30	25140006257400	1	Covering	
31	25140006257340	1	End Piece	
32	25140006257330	1	Door Handle	
33	25140006257350	1	Inside Cover	
34	25140006257360	1	Cap	
35	25140006257310	1	Lock	
36	25140006257320	1	Adjusting Plate	
37	25140002412360	1	Countersunk Bolt M5x10	
38	25140002150310	1	Serrated L.Washer A 5,3	
39	25140002420430	1	Socket Head Screw M 5x10	
40	25140006257250	1	Spacer Tube	
41	25140002124270	1	Threaded Pin M6x25	
42	25140002390280	2	O-Ring 6x2 -N	
43	25140007621500	1	Door Lining	



Cabin, Windscreen washer – left



Self-propelled Slurry Distributor SDS7000
Model year 2007 - 2012

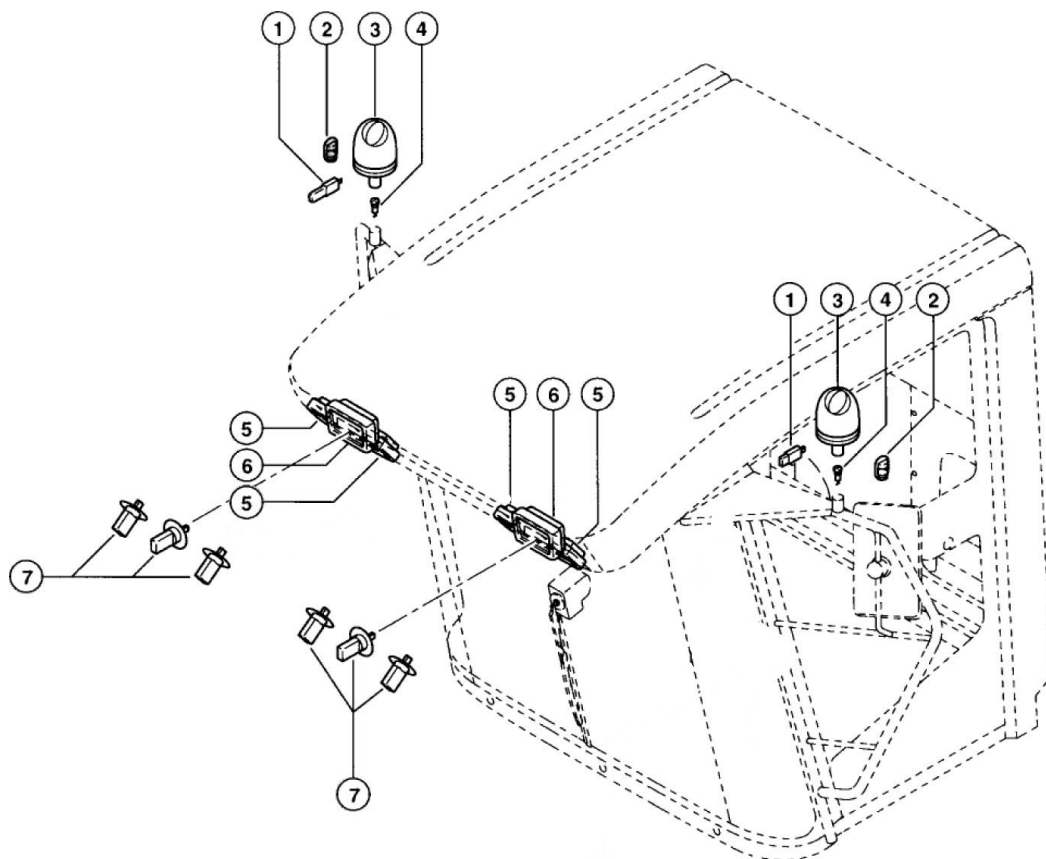
Date: 13/8-2013

Page 101

Windscreen Washer, L.H.

Pos. no.	Item no.	Pcs.	Description	Note
1	25140006655641	1	Coach Bolt M6x12	
2	25140000694870	1	Covering Links	
3	2514850522	1	Wiper Motor	
4	25140006226380	2	Rubber Disc	
5	25140000101550	1	Rocker Switch	
5	25140000715330	1	Switch Insert	
6	25140000694860	1	Wiper Blade	
7	25140000694850	1	Wiper Arm	
8	25140006226440	2	Rubber Disc	
9	25140001768430	2	Washer 16,5x50x1,5	
10	25140000694840	1	Hexagonal Nut M16x1	
11	25140000694890	1	Cap 22x40,5	
12	25140000694830	1	Cap	
13	25140006226730	2	Rubber Disc	
14	25140006226420	1	Rubber Disc	
15	25140002342560	1	Washer 6,2x15x1,5	
16	25140002374660	1	Hexagon Head Screw M6x20	
17	25140002163350	1	Guard Cap SW10-M 6	
	25140002416901	1	Sealing Compound 300 MI Kartusche	300/310 MI
	25140000695370	1	Windscreen Washer Nachrü.492	

Cabin, Lights



Self-propelled Slurry Distributor SDS7000
Model year 2007 - 2012

Date: 13/8-2013

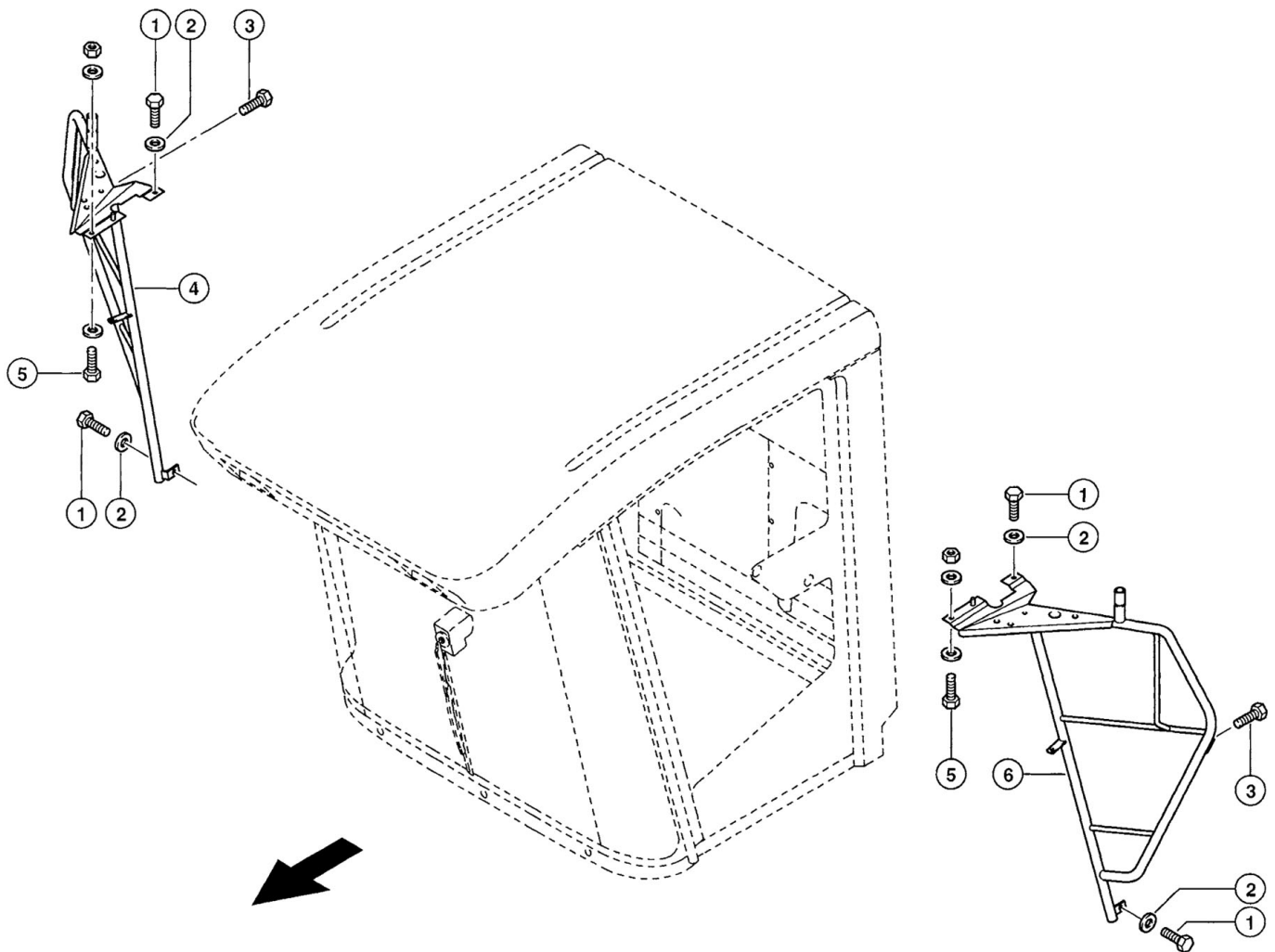
Page 103

Cabin, Lights

Pos. no.	Item no.	Pcs.	Description	Note
1	25140002113300	2	Light Bulb H1 12V/55W	
2	25140000775220	2	Stop	
3	25140000155500	2	Rotating Beacon	New model
3	25140000775200	2	Rotating Beacon	Old model
4	25140000775210	2	Socket	
5	25140006257190	4	Spotlight	
6	25140000137310	2	Working light	
7	25140002380910	6	Halogen light bulb 12V/55W	



Railing



Self-propelled Slurry Distributor SDS7000
Model year 2007 - 2012

Date: 13/8-2013

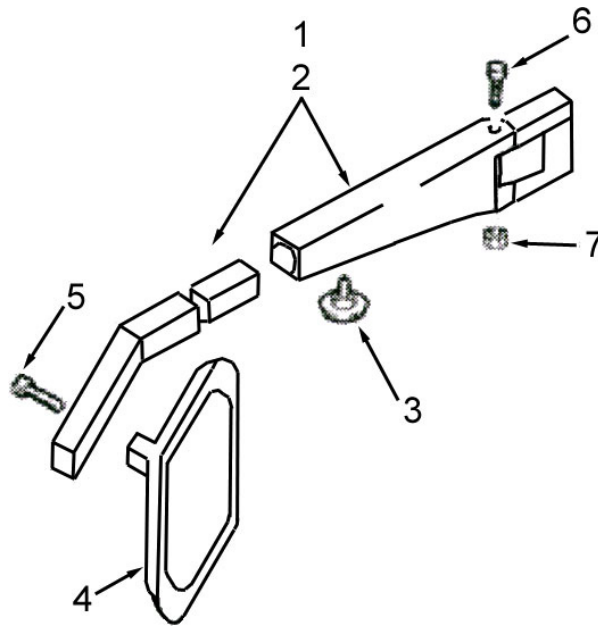
Page 105

Railing

Pos. no.	Item no.	Pcs.	Description	Note
1	25142362000	6	Hexagonal bolt M8x20	
2	25142393870	6	Contact washer A8	
3	25140767220	2	Rubberpad M8xD35x40	
4	25140694754	1	Railing, right	
5	25142362000	2	Hexagonal bolt M8x20	
	25142361700	2	Hexagonal nut M8	
	25142393870	4	Contact washer A8	
6	25140694613	1	Railing, left	



Telescopic mirror arm



Self-propelled Slurry Distributor SDS7000
Model year 2007 - 2012

Date: 13/8-2013

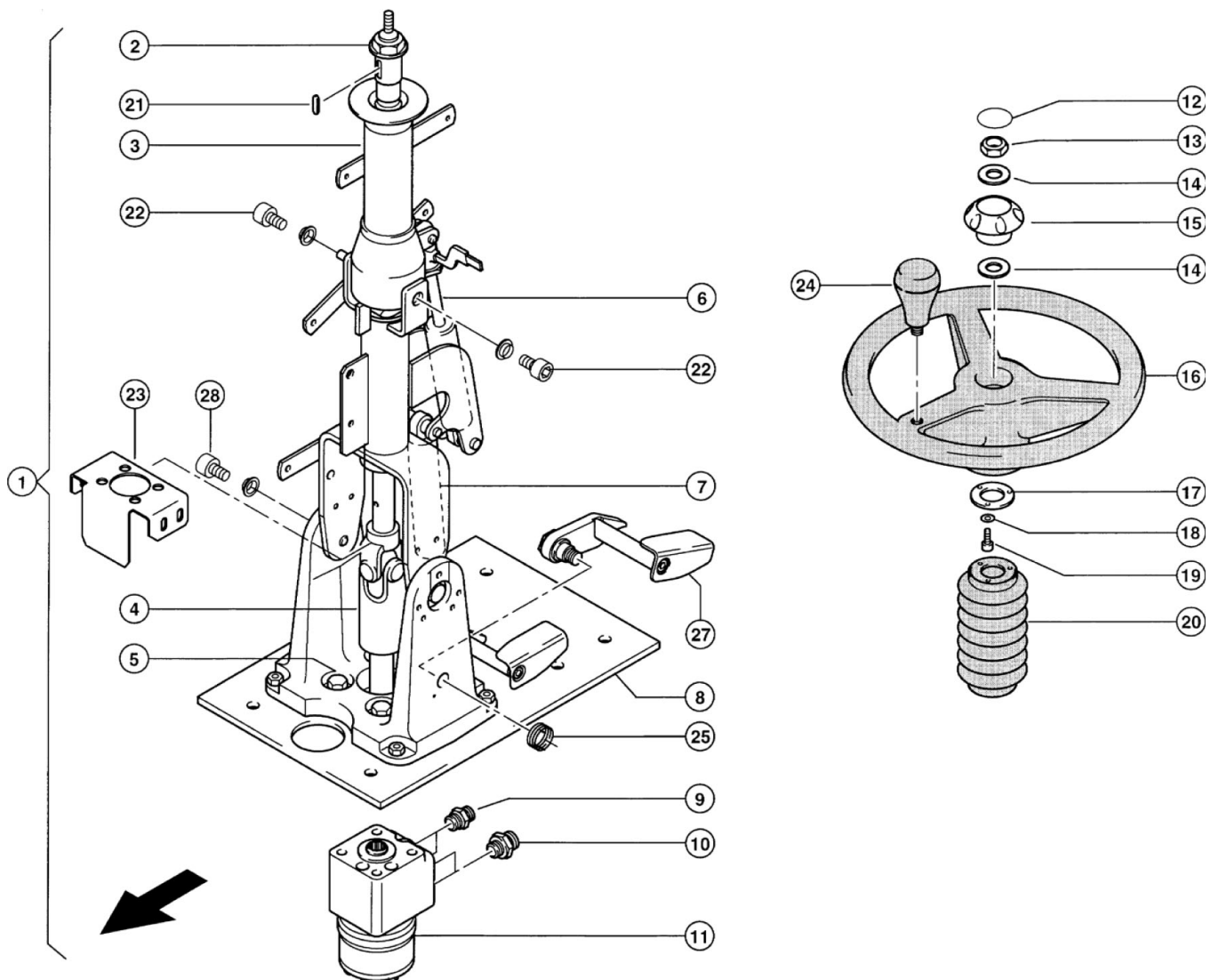
Page 107

Telescopic mirror arm

Pos. no.	Item no.	Pcs.	Description	Note
	2514850390		Telescope mirror arm set	incl. pos. no. 1-7
1	2514850391	1	Arm assembly, right	incl. pos. no. 3
2	2514850392	1	Arm assembly, left	incl. pos. no. 3
3	2514850393	2	Knob	
4	2514850395	1	Mirror assembly	incl. pos. no. 5
5	2514850394	4	Knob	
6	132610035	4	Setscrew M10x35	
7	13260201	1	Lock Nut M10	



Steering column



Self-propelled Slurry Distributor SDS7000
Model year 2007 - 2012

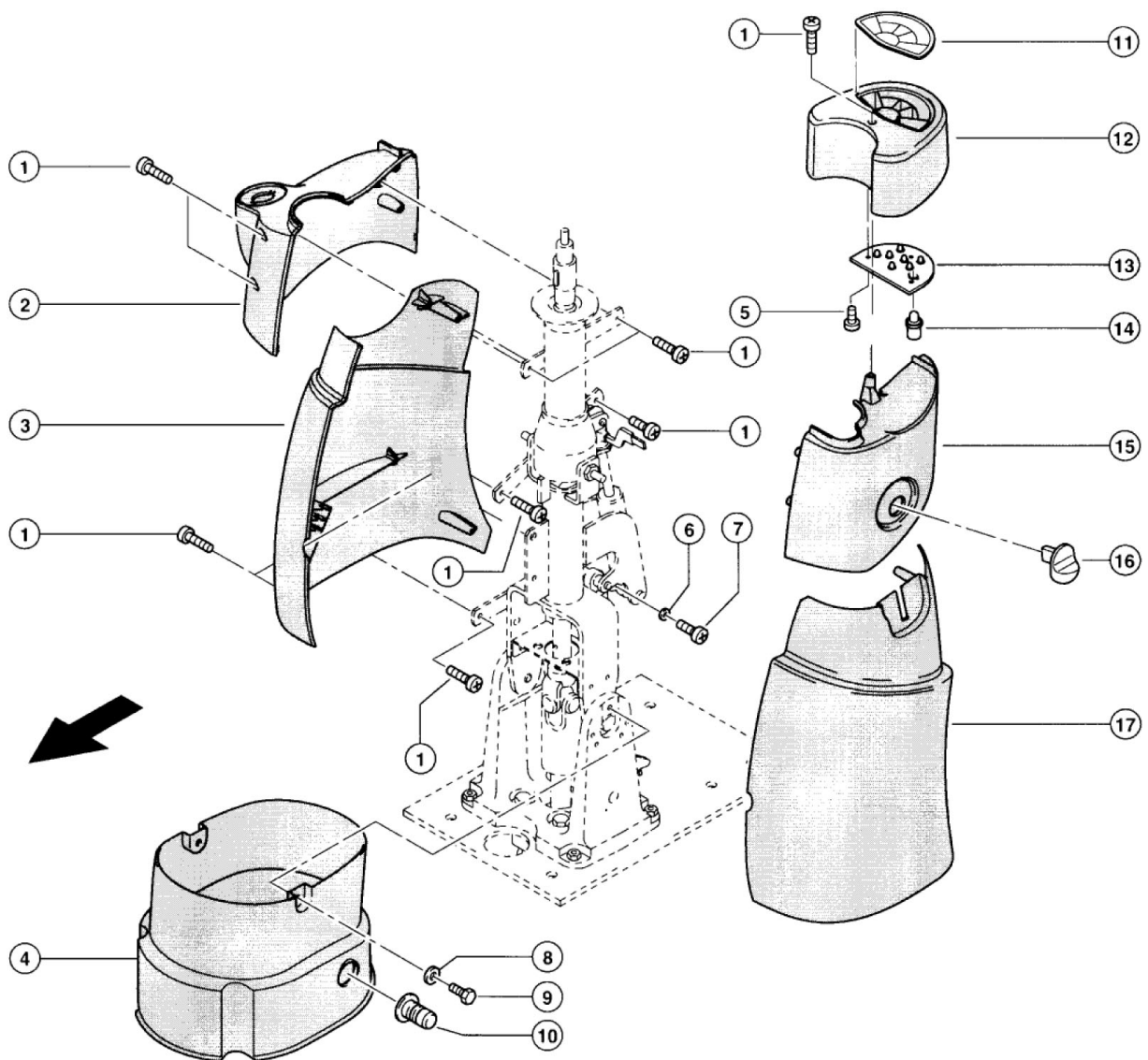
Date: 13/8-2013

Page 109

Steering column

Pos. no.	Item no.	Pcs.	Description	Note
1	25140005464027	1	Steering column	
2	25140002333810	1	Hex nut M18x1,5	
3	25140005464231	1	Steering column - top kit	
4	25140005464251	1	Steering shaft	
5	25140005464283	1	Rubber bearings	
6	25140005464240	1	Gas spring	
7	25140005464270	1	Gas spring	
8	25140005464264	1	Base plate	
9	25140002161700	2	Mounting boss	
10	25140002159190	2	Mounting boss	
11	25140006832150	1	Steering unit	With pos. no. 9, 10
11	25140001788961	1	Seal Kit	
12	25140005464171	1	Cover	
13	25140002381320	1	Lock nut M8	
14	25140002393931	2	Contact-washer B8	
15	25140005464162	1	Knob	
16	25140005464201	1	Steering wheel with knob	From no. 49203124
16	25140005464330	1	Steering wheel	To no. 49203123
17	25140005464190	1	Washer	
18	25140002392620	3	Lock washer A4,3	
19	25140002421941	3	Cylinder head screw M4x12	
20	25140005464181	1	Bellow	
21	25140005464360	1	Key A5x5x20	
22	25140005464390	1	Screw Set	
23	25140005464350	1	Bracket	
24	25140005464380	1	Knob	
25	25140005464370	1	Torsion spring	
27	25140005464311	1	Pedal	
28	25140005464620	1	Screw Set	

Steering Column, Casing



Self-propelled Slurry Distributor SDS7000
Model year 2007 - 2012

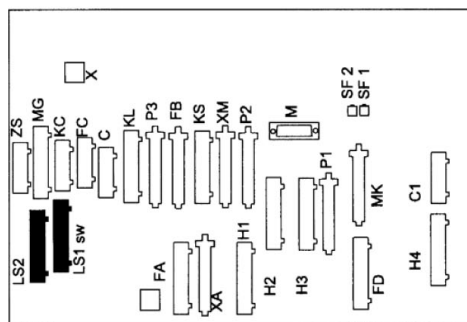
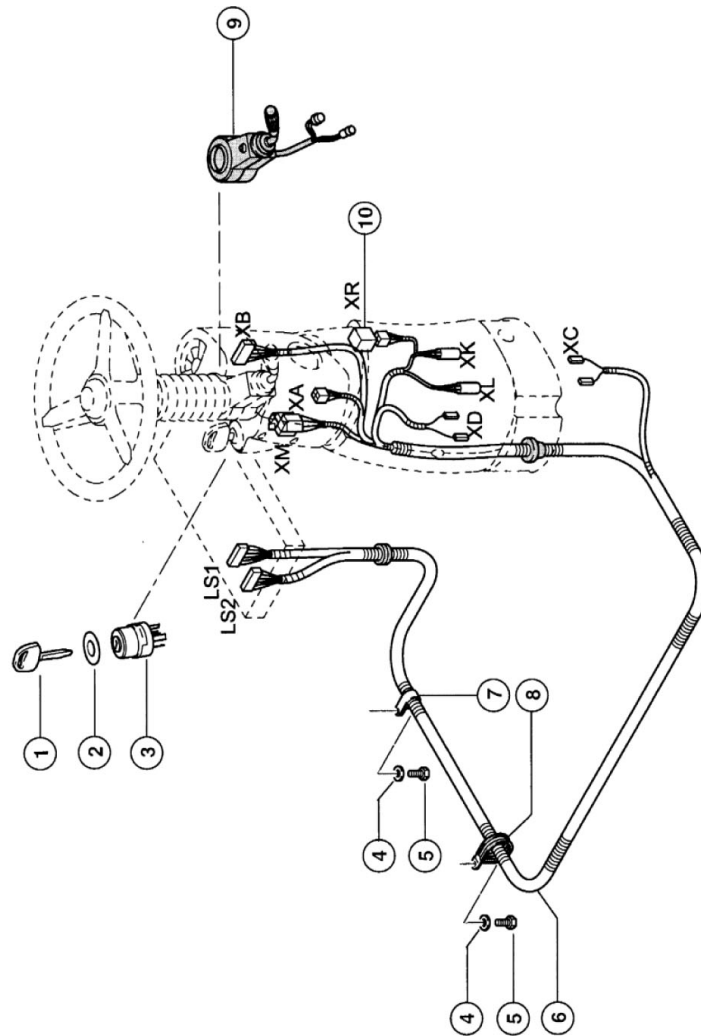
Date: 13/8-2013

Page 111

Steering Column, Casing

Pos. no.	Item no.	Pcs.	Description	Note
1	25140002164460	13	Screw 4x20	
2	25140005464081	1	Top part	
3	25140005464061	1	Middle part	
4	25140005464040	1	Base	
5	25140002152942	3	Tapping screw	
6	25140002369791	1	Washer 4,3	
7	25140002160751	1	Screw KA40x12	
8	25140002392620	2	Lock washer A4, 3	
9	25140002374650	2	Hex screw M6x16	
10	25140007347751	1	Rubber cap D13/23x35	
11	25140000131362	1	Control field sheet	
12	25140005464091	1	Display	
13	25140000145123	1	Control panel LED	
13	25140002135780	1	Socket panel 10WAY	
13	25140002160920	1	Light bulb 12V/3W	
14	25140002113060	7	Light bulb 12V/2W	
15	25140005464071	1	Top part	
16	25140007347780	1	Adjustment knob	
17	25140005464050	1	Middle part	

Steering Column, Cable set



Self-propelled Slurry Distributor SDS7000
Model year 2007 - 2012

Date: 13/8-2013

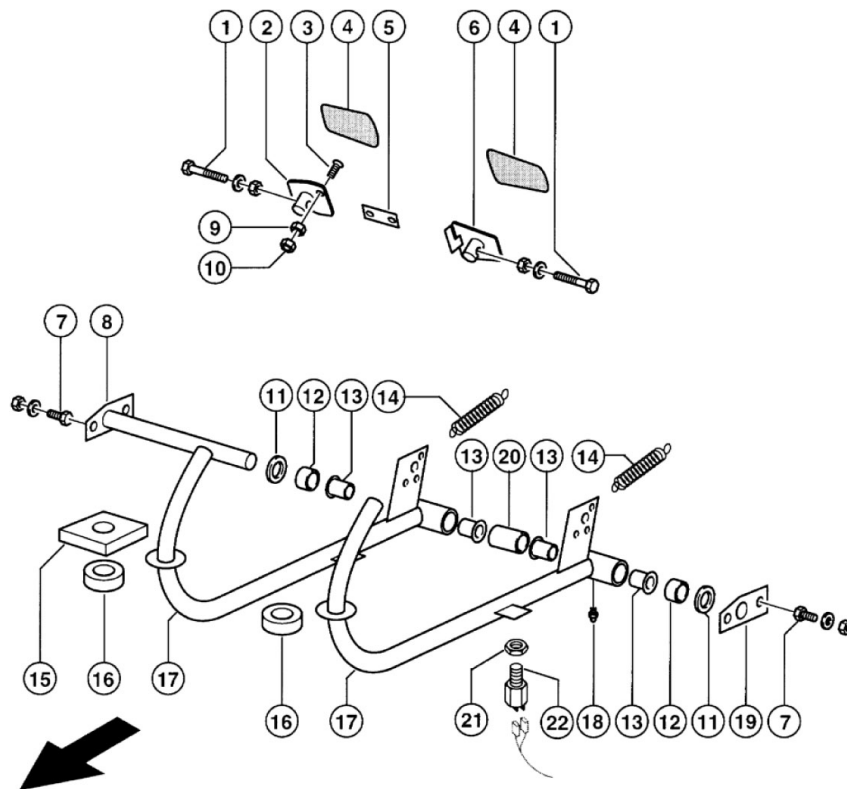
Page 113

Steering Column, Cable set

Pos. no.	Item no.	Pcs.	Description	Note
1	25140000131420	1	Master Key	
2	25140005153740	1	Label ignition key	
3	25140000131350	1	Initiator switch	
4	25140002393870	2	Contact washer A8	
5	25140002362000	2	Hex screw M8x20	
6	25140000140881	1	Cable set	
7	25140002154050	1	Pipe clamp A1-20x20	
8	25140002163410	1	Pipe clamp D1-12x20	
9	25140007363660	1	Switch	
10	25140000142093	1	Relay Clockwise and anticlockwise rotation	for wiper



Foot brake



Self-propelled Slurry Distributor SDS7000
Model year 2007 - 2012

Date: 13/8-2013

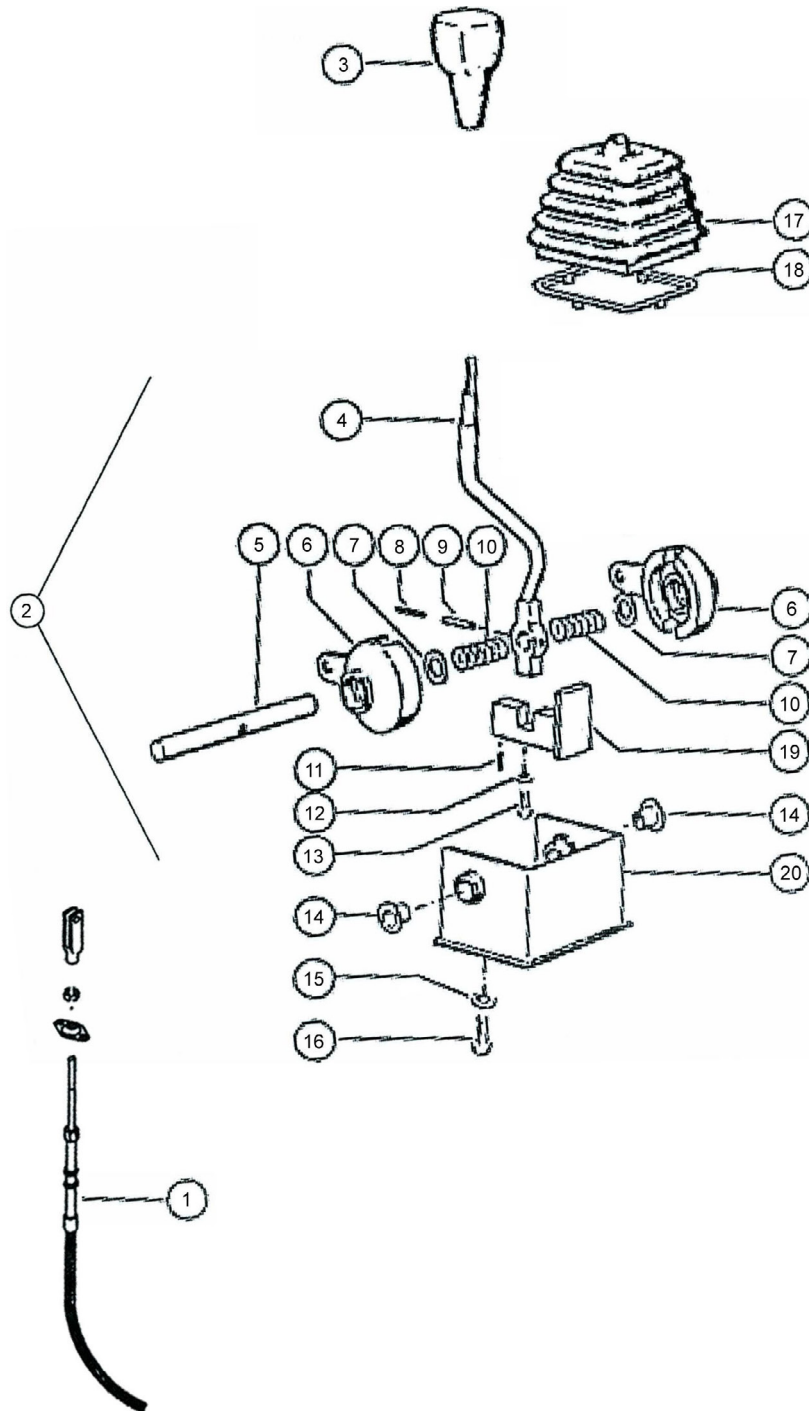
Page 115

Foot brake

Pos. no.	Item no.	Pcs.	Description	Note
1	25140002373400	2	Hex screw M8x40	
1	25140002381320	2	Lock nut M8	
1	25140002369122	2	Washer 8,0	
2	25140005464980	1	Pedal right	from no. 49200133
2	25140007347550	1	Pedal	to no. 49200132
3	25140002441101	1	Countersunk screw M8x25	
4	25140007347400	2	Pedal Pad	
5	25140007347540	1	Bracket 20x6x70	
6	25140005465000	1	Pedal left	from no. 49200133
6	25140007347500	1	Pedal	to no. 49200132
7	25140002362000	4	Hex screw M8x20	
7	25140002361700	4	Nut M8	
7	25140002393870	4	Contact-washer A8	
8	25140000763180	1	Shaft	from no. 49200133
8	25140006022210	1	Brake shaft	to no. 49200132
9	25140002379280	1	Nut M8	
10	25140002381320	1	Lock nut M8	
11	25140002342980	2	Washer 26x37x2	
12	25140006022240	2	Spacer D34x20	
13	25140000085340	4	Bush 26x30x24	
14	25140009222000	2	Tension spring 3x17x111	from no. 49202631
14	25140006310560	2	Tension spring 2,6x15x110	to no. 49202630
15	25140006238480	2	Sealing 25x90x90	
16	25140006010290	2	Sealing ring 32x65x25	
17	25140006694792	2	Brake Pedal	
18	25140002369440	2	Grease nipple C S6x1	
19	25140006022230	1	Bearing plate	
20	25140000763540	1	Spacer D34x56	from no. 49200133
21	25140002364550	1	Nut M12x1,5	
22	25140002153570	1	Brake light switch	not for Speedstar, not for Profistar



Gear console



Self-propelled Slurry Distributor SDS7000
Model year 2007 - 2012

Date: 13/8-2013

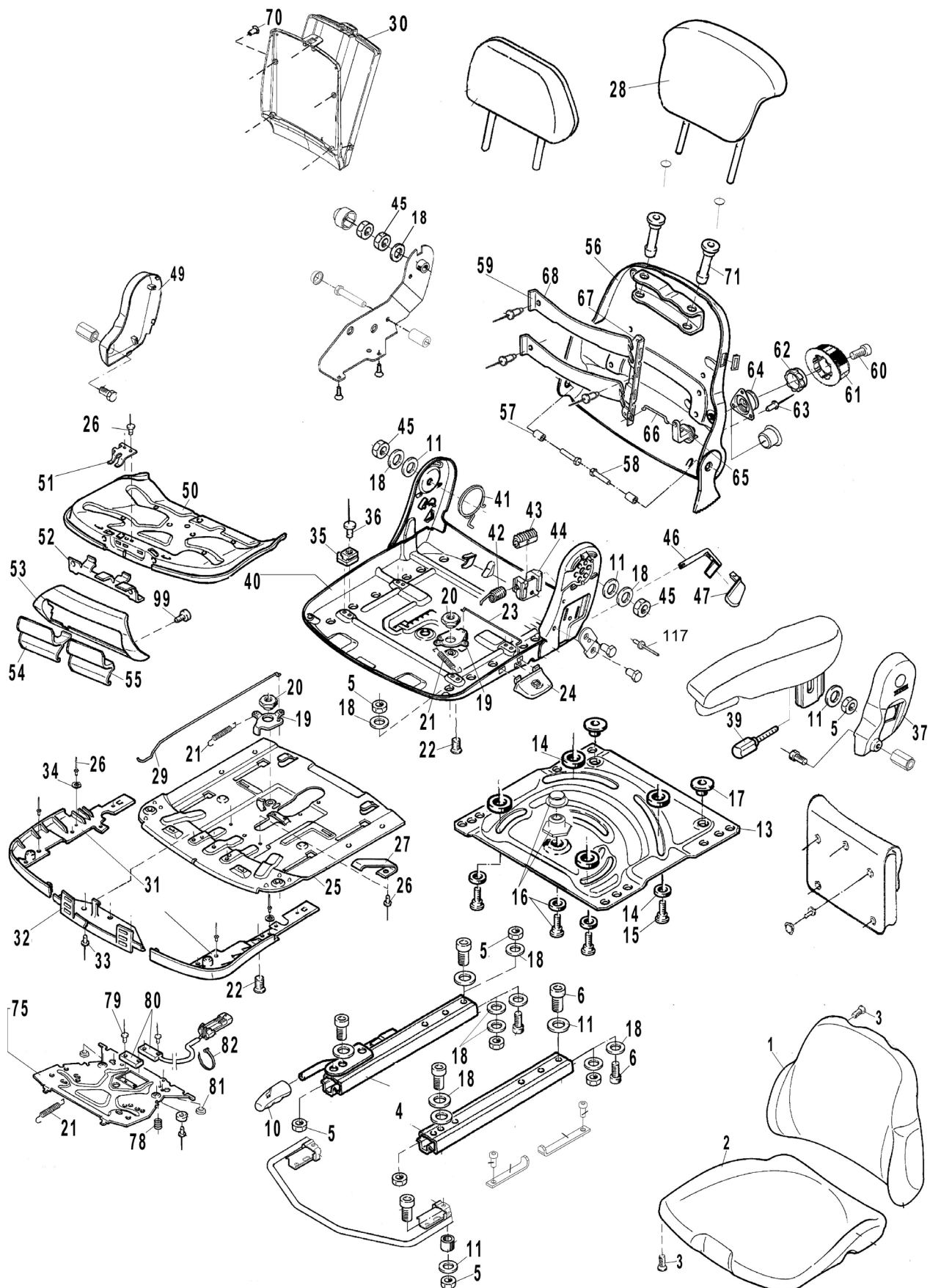
Page 117

Gear console

Pos. no.	Item no.	Pcs.	Description	Note
1	2514851455		Gear cable	
2	25146943840		Gear shifting console, complete	
3	25146943010		Knob for gear lever	
	25136943030		Label for gear selection	
4	25121385		Lever	
5	25121390		Shaft	
6	25121395		Switching Segment	
7	25121400		Washer 18x25x1,5	
8	25121405		Retaining pin 3,5x36	
9	25121410		Retaining pin 6x36	
10	25121415		Compression spring	
11	25121420		Retaining pin 5x12	
12	25121425		Washer A6	
13	25121430		Hex Screw M6x16	
14	25121435		Bush	
15	25121440		Washer A8	
16	25131180		Hex Screw M8x20	
17	25146236651		Bellow for gear lever	
18	25146235650		Frame	
19	25146020610		Stop	
20	25121525		Gear housing	



Seat



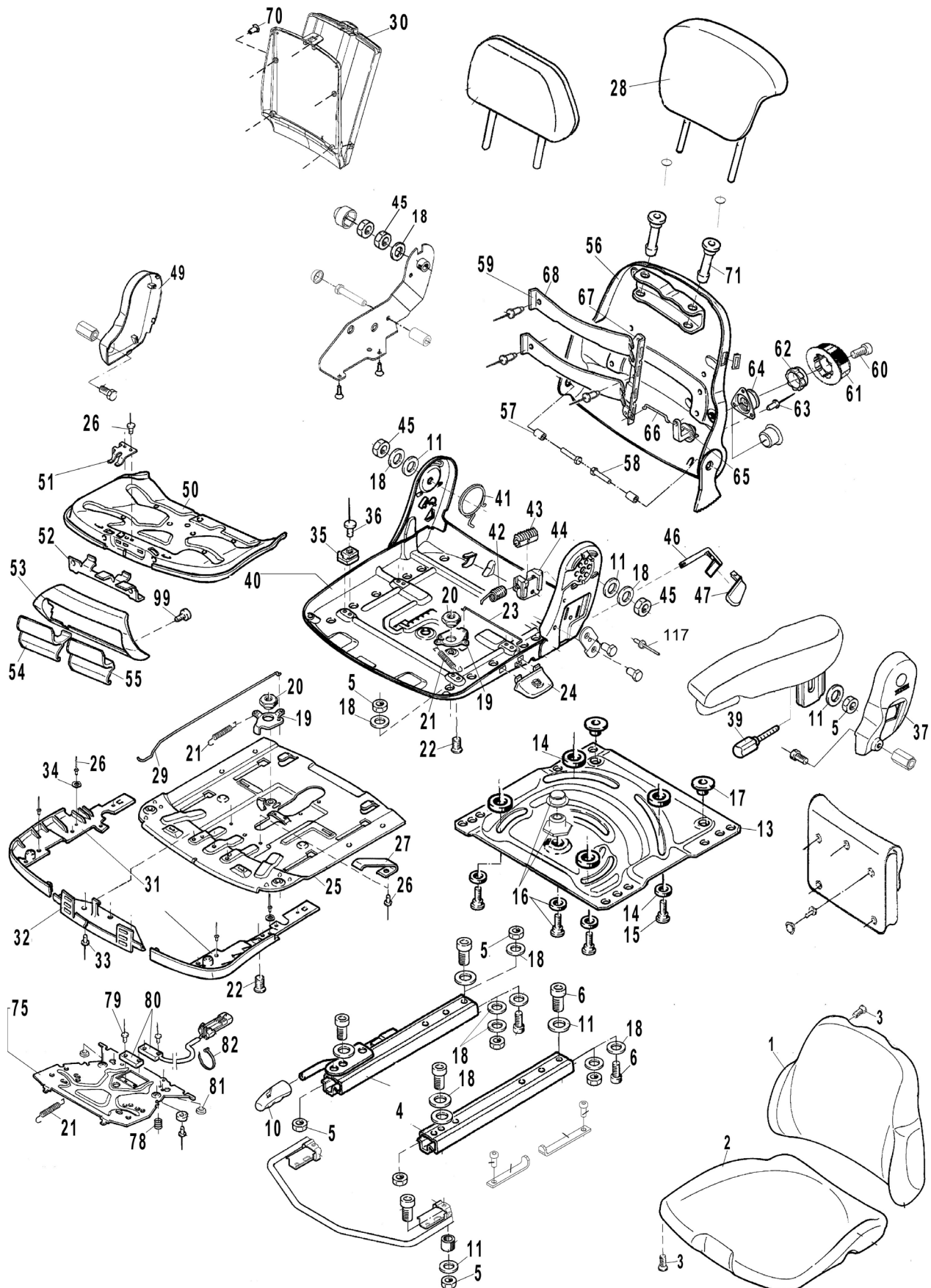
Self-propelled Slurry Distributor SDS7000
Model year 2007 - 2012

Date: 13/8-2013

Page 119

Seat				
Pos. no.	Item no.	Pcs.	Description	Note
	2514850598		Seat	
1	25141075400	1	Upholstery	
1	25141075404	1	Upholstery	
2	25141075396	1	Upholstery	
2	25141075397	1	Upholstery	
3	25141054392	8	Round head screw	
4	2514140733	1	Adjustment rails kit	
5	2514110291	10	Nut	
6	2514122949	4	Cylinder screw	
10	2514138928	1	Handle	
11	2514113290	7	Washer	
13	2514138974	1	Swivel plate Cpl	
14	2514103046	8	Washer	
15	25141120784	4	Bolt	
16	25141059547	1	Center bearing Cpl	
17	251410487	2	Slide washer	
18	2514110489	8	Washer	
19	2514139246	2	Lever Cpl	
20	2514132319	2	Bush	
21	2514116226	3	Tension spring	
22	2514132321	2	Countersunk screw M8	
23	2514138877	1	Rod	
24	2514140672	1	Handle	
25	2514139263	1	Plate komplet	
26	2514130923	7	Blind rivet	
27	2514138820	1	Spring plate	
28	25141075600	1	Head rest	
29	2514138839	1	Rod	
30	2514142259	1	Storage pocket Cpl	
31	2514139521	1	Cover	
32	2514139254	1	Cover	
33	2514131578	4	Blind rivet	
34	2514122826	2	Washer	
35	2514138835	4	Glider	
36	2514138842	4	Blind rivet	
37	25141078696	1	Cover	
39	2514128756	2	Adjustable spindle Cpl	

Seat



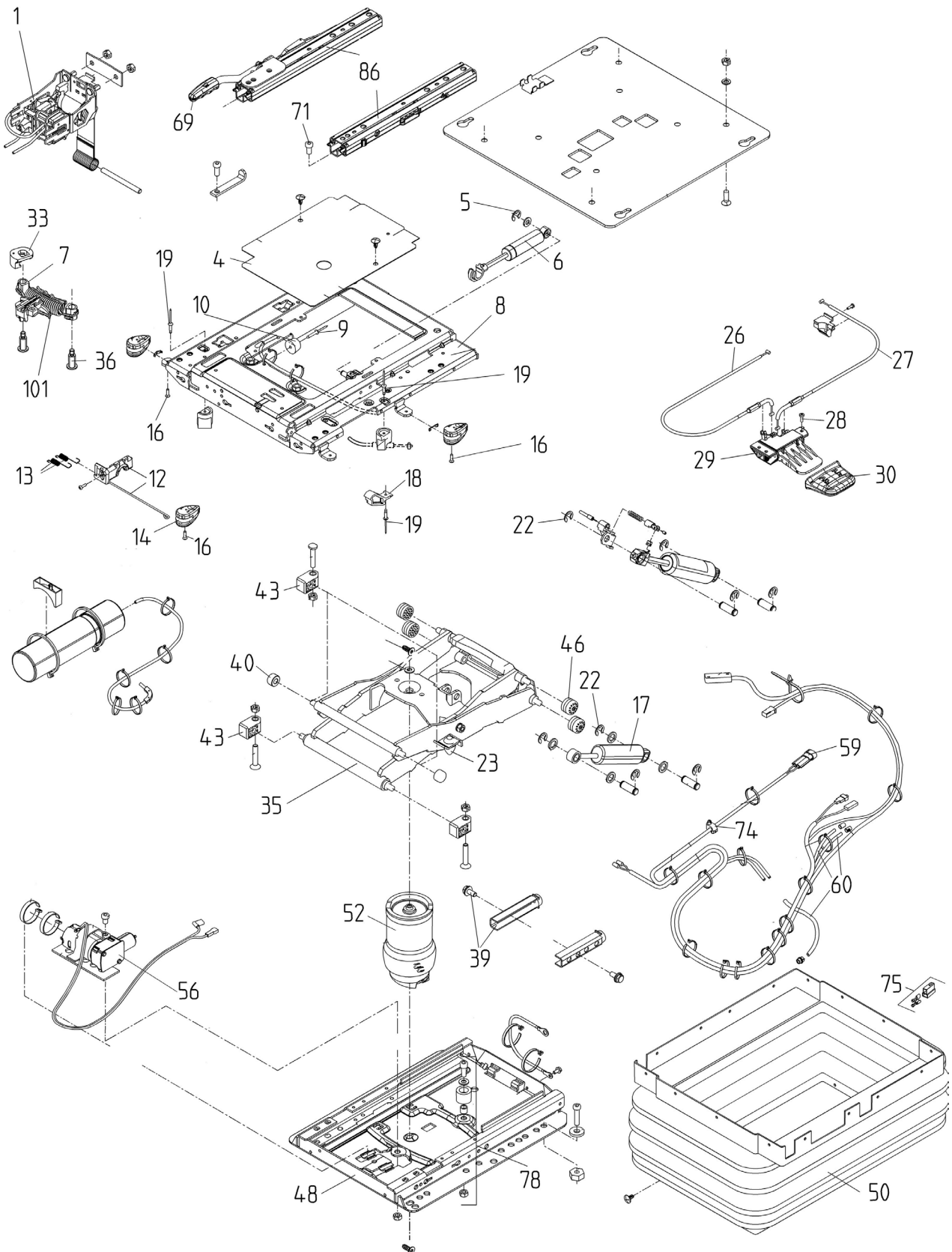
Self-propelled Slurry Distributor SDS7000
Model year 2007 - 2012

Date: 13/8-2013

Page 121

Seat				
Pos. no.	Item no.	Pcs.	Description	Note
40	2514140775	1	Seating plate Cpl	
41	25141108581	1	Torsion spring	
42	25141046892	1	Spring	
43	2514142257	1	Barrier	
44	2514139255	1	Bearing Cpl	
45	2514113048	2	Nut	
46	2514140675	1	Lever Cpl	
47	2514139454	1	Handle	
49	25141078701	1	Cover	
50	2514139265	1	Rocker Cpl	
51	2514139257	1	Spring plate	
52	2514138804	1	Locking lever	
53	2514140676	1	Cover Cpl	
54	2514140677	1	Handle Cpl	
55	2514139172	1	Hansle	
56	2514140682	1	Backrest Cpl	
57	2514138686	2	Buch	
58	2514118558	2	Hex screw	
59	2514140678	1	Back support	
60	2514138758	1	Cylinder screw	
61	2514140679	1	Handle	
62	2514138747	1	Sprocket	
63	2514114547	3	Blind rivet	
64	2514138634	1	Spring brake	
65	2514138655	1	Bracket	
66	2514138559	1	Rod	
67	2514138614	1	Angle	
68	2514141004	2	Plate	
70	251417928	5	Tapping screw	
71	2514138691	2	Buch	
75	25141048442	1	Seat switch Cpl	
78	2514138858	2	Compression spring	
79	2514138882	4	Blind rivet	
80	25141038723	1	Seat switch w/magnet	
81	2514123578	2	Buffer	
82	25141097364	6	Cable straps	
99	2514138781	2	Lens Screw	
117	25141103259	1	Blind rivet	

Seat, Suspension



Self-propelled Slurry Distributor SDS7000
Model year 2007 - 2012

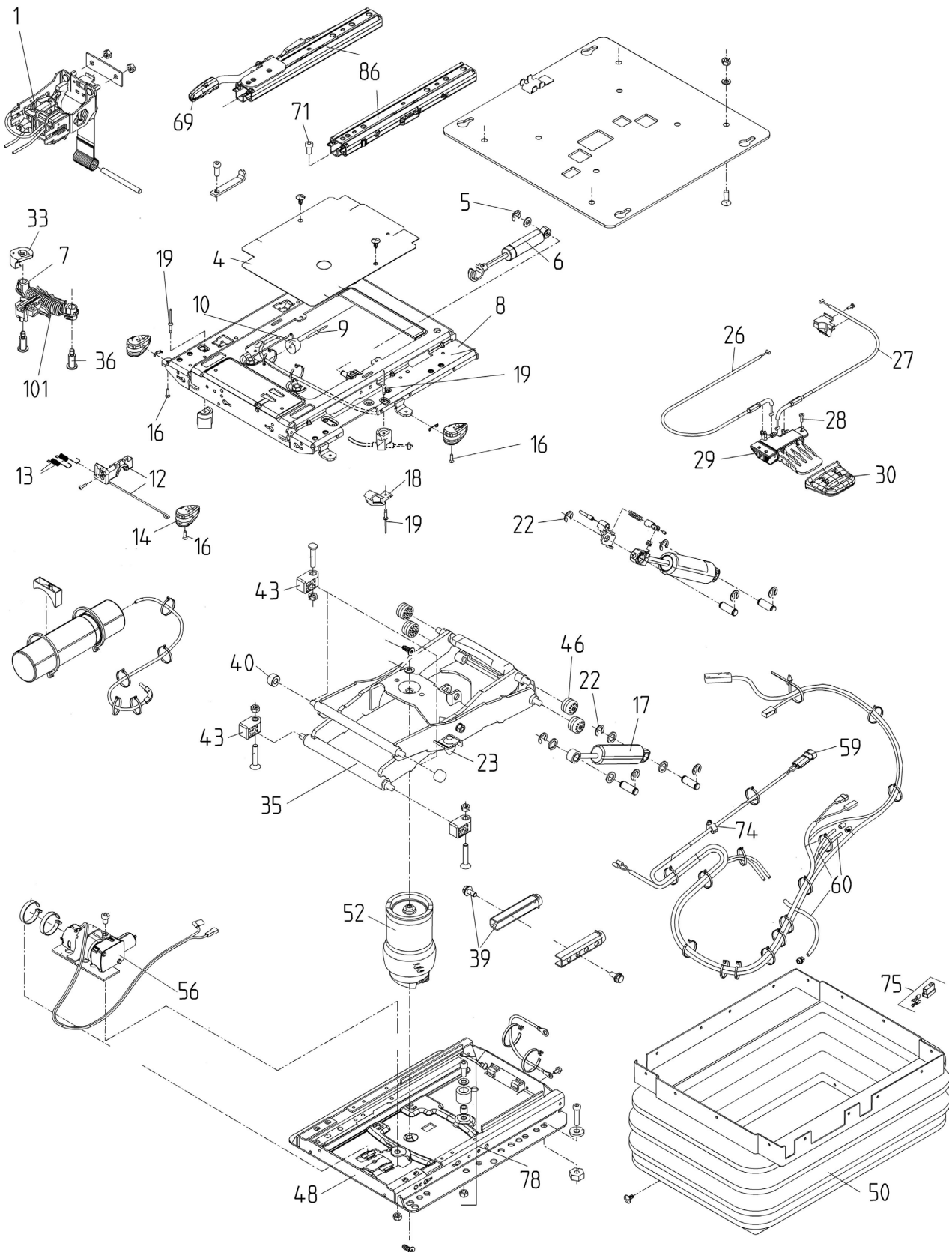
Date: 13/8-2013

Page 123

Seat, Suspension

Pos. no.	Item no.	Pcs.	Description	Note
	25141096585	1	Wearing parts	
	25141048741	1	Suspension Cpl.	
	2514140683	1	Mounting parts for slide rails	
1	25141081313	1	Level control Cpl.	
4	2514133655	1	Cover Cpl	
5	2514115391	1	Lock washer	
6	25141096583	1	Shock absorber	
7	2514118352	2	Bush	
8	25141096581	1	Suspension, top part Cpl.	
9	2514104551	1	Blind rivet	
10	25141096582	1	Buffer Cpl	
12	25141096566	1	Locking device	
13	25141137842	2	Tension spring	
14	2514130119	1	Handle	
16	2514132414	1	Ejot screw	
17	2514137815	1	Shock absorber Cpl.	
18	2514130617	2	Stop Cpl	
19	2514126617	2	Blind rivet	
22	2514901009	2	Lock washer	
23	2514200072	2	Buffer Black	
26	2514130586	1	Bowden cable	
27	2514138733	1	Bowden cable	
28	2514138781	3	Lens Screw	
29	2514131834	1	Actuation	
30	2514138628	1	Handle	
33	25141114351	1	Buffer	
35	2514139566	1	Swing arm Cpl	
36	25141066177	2	Flange screw	
39	2514136685	1	Stop Cpl	
40	25141021662	2	Roller Cpl	
43	25141117515	2	Fixed bearing	
46	2514129886	4	Roller Cpl	
48	2514140251	1	Suspension, lower part Cpl	
50	2514140435	1	Bellow Cpl	
52	25141081315	1	Air spring Cpl	
56	25141096562	1	Compressor 12V Cpl	
59	2514135320	1	Connection cable Cpl	

Seat, Suspension



Self-propelled Slurry Distributor SDS7000
Model year 2007 - 2012

Date: 13/8-2013

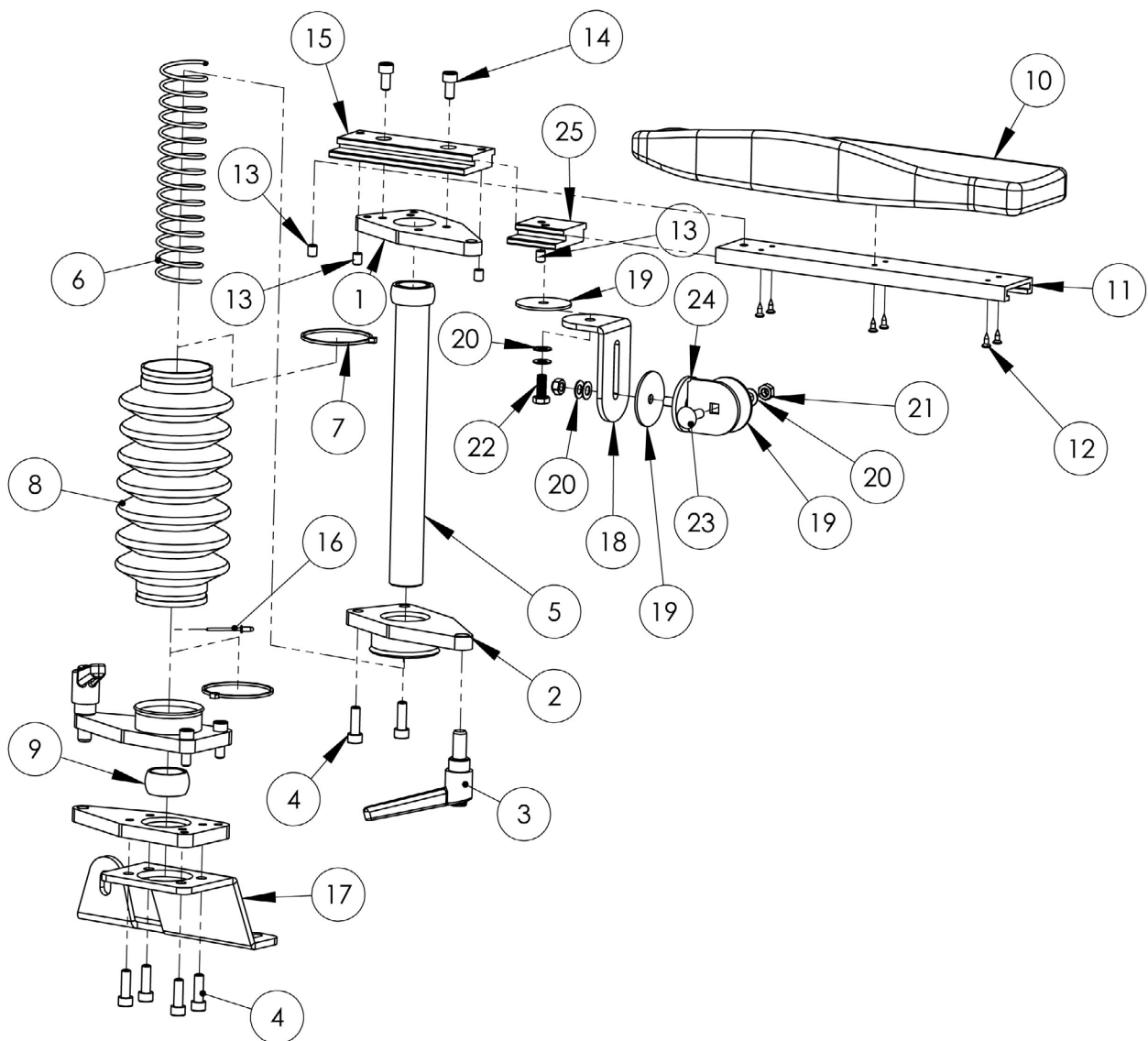
Page 125

Seat, Suspension

Pos. no.	Item no.	Pcs.	Description	Note
60	25141096565	1	Air hose Cpl	
69	2514138928	1	Handle	
71	2514122949	4	Cylinder screw	
74	25141030767	1	Cable clamp	
75	2514116265	1	Plug Cpl	
78	2514132939	1	Buffer Cpl	
86	2514140733	1	Adjustment rails kit	
101	25141096591	1	Horizontal suspension	



Seat, Armrest



Self-propelled Slurry Distributor SDS7000
Model year 2007 - 2012

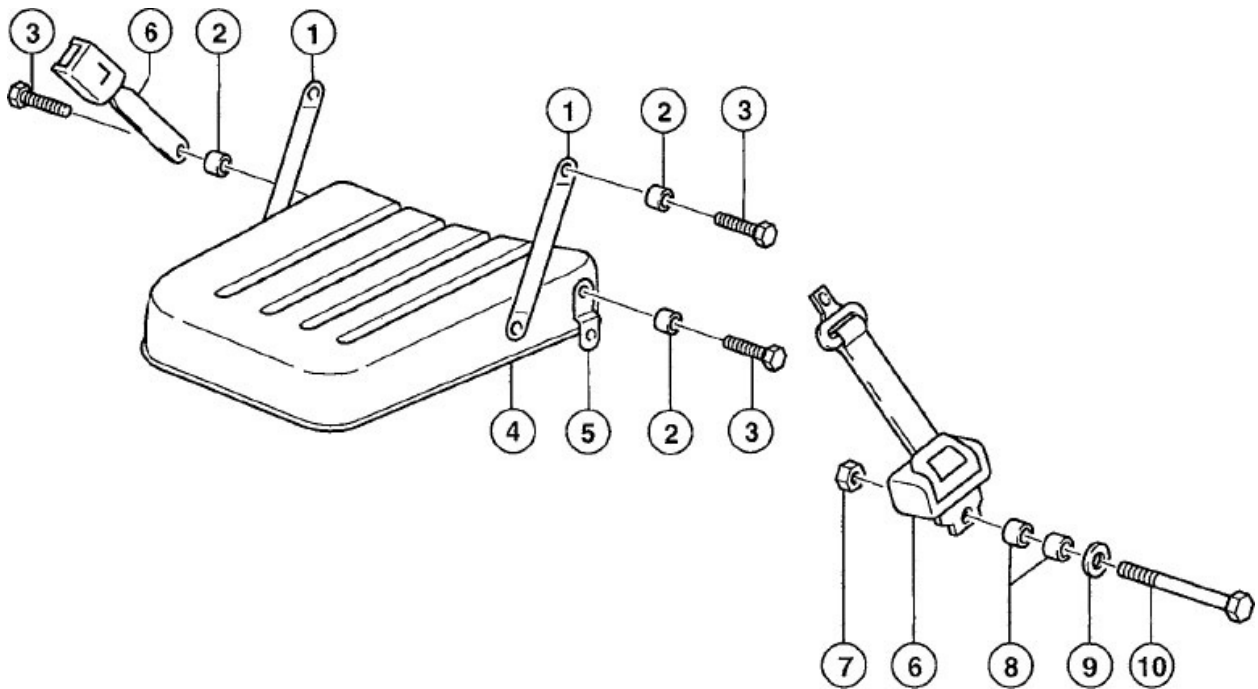
Date: 13/8-2013

Page 127

Seat, Armrest

Pos. no.	Item no.	Pcs.	Description	Note
	251481719	1	Armrest 5200	
	251480613	2	Clamp bracket 5200 complete	
1	251480092	1	Clamp bracket 5200 threading	
2	251480094	1	Clamp bracket 5200 pipe	
3	251470216	1	Handle M12	
4	251470118	6	Bolt M8x25	
5	251480093	1	Pipe	
6	251470192	1	Compression spring	
7	251470248	2	Cable straps	
8	251470382	1	Bellow	
9	251480091	1	Ball	
	251480591	1	Padding E right incl. rail	
10	251470020	1	Padding E right	
11	251480046	1	Rail for Padding E	
12	251470148	6	Self-tapping screw countersunk 4x12	
13	251470129	4	Lock screw M8x10	
14	251470117	2	Screw M8x16	
15	251480036	1	Sliding List	
16	251470822	1	Rivet	
17	251480289	1	Seat Bracket 5200 Maximo right	
	251480098	1	Controller Bracket cpl	
18	251480089	1	Controller Bracket	
19	251470250	3	Friction disk	
20	251470146	6	Disc spring washer	
21	251470105	2	Lock nut M8	
22	251470112	1	Bolt M8x20	
23	251470132	1	Transportation Bolt M8x25	
24	251480688	1	Steel "T"	
25	251480037	1	Controller Bracket list	

Passenger seat



Self-propelled Slurry Distributor SDS7000
Model year 2007 - 2012

Date: 13/8-2013

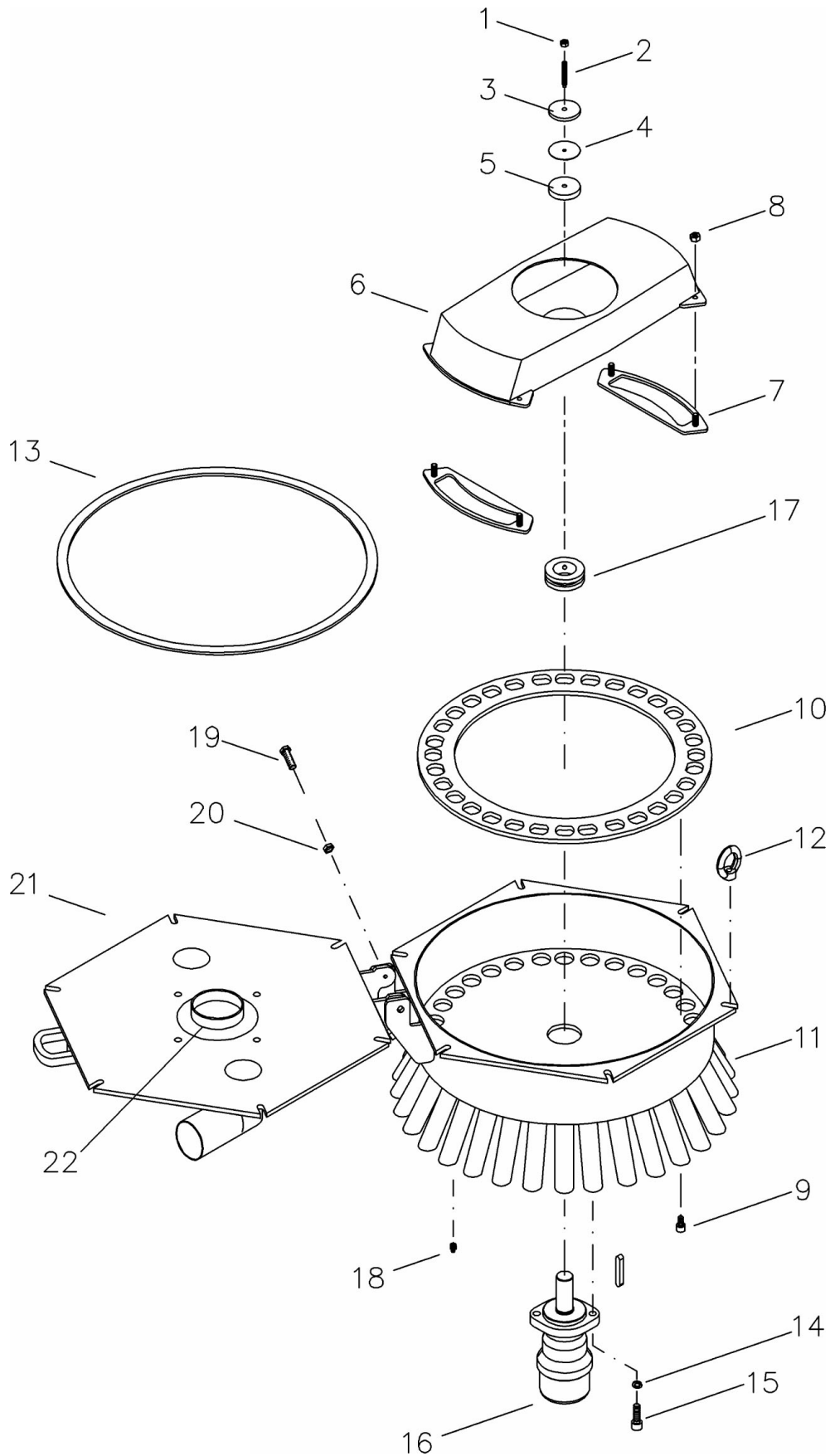
Page 129

Passenger seat

Pos. no.	Item no.	Pcs.	Description	Note
1	2514546 544 0	2	Strip 5x30x262,5	
2	2514073 764 0	8	Bushing 11,1x12,2x5	
3		8	Hexagonal bolt M8x20	
4	2514762 171 0	1	Cushion	
5	2514546 583 0	2	Strip 5x30x97,5	
6	2514067 762 0	1	Safety belt	
7		1	Securing nut M10	
8	2514350 902 0	2	Bushing 21,3x3,25x27	
9		1	Contact washer A10	
10		1	Hexagonal bolt M10x80	



Distributor - DOSIMAT



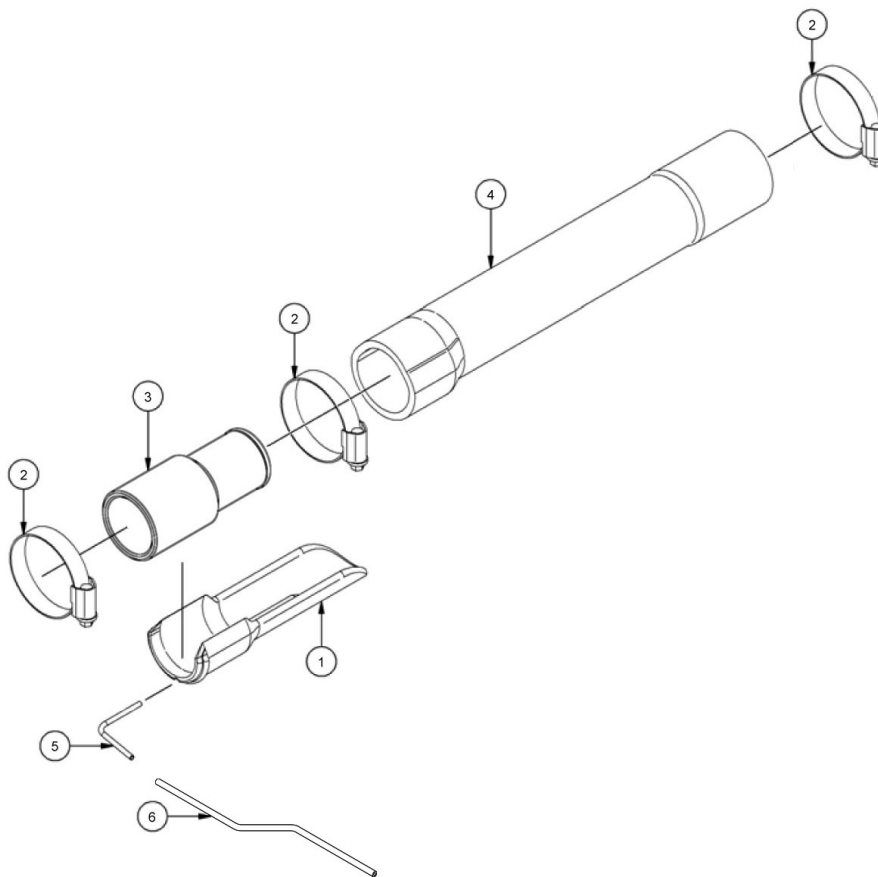
Self-propelled Slurry Distributor SDS7000
Model year 2007 - 2012

Date: 13/8-2013

Page 131

Distributor - DOSIMAT				
Pos. no.	Item no.	Pcs.	Description	Note
1		1	Hex. nut M8 V2A, self-locking	
2	25130700	1	Set screw M8x60 V2A	
3	2119NUS001	1	Pretension disk	
4	2119DFD044	1	Rubber disk t=1	
5	2119TGD004	1	Rubber disk t=10	
6	2119TRO005N2	1	Rotor straight (NW)	24m dribble bar
6	2119TRO007N2	1	Rotor straight (NW)	30m dribble bar 4" hose
6	2119TRO015N3T2	1	Rotor straight (NW)	30m dribble bar 5" hose
7	2119TMS028	2	Knife, complete (NW)	24m dribble bar
7	21190105-01	2	Knife, complete (NW)	30m dribble bar 4" hose
7	2119TMS126	2	Knife, complete (NW)	30m dribble bar 5" hose
8		4	Hex. nut M10 (included in Pos. no. 7)	
9		8	Cap screw M10x16	
10	2119TFL014	1	Cutting ring	24m dribble bar
10	2119TFL017	1	Cutting ring	30m dribble bar
11	2119TGE005N2	1	Housing	24m dribble bar
11	2119TGE007N2	1	Housing	30m dribble bar
12	25130770	8	Lifting-eye nut M12	
13	2119DFD021	2,3m	Gasket (yard goods)	24m dribble bar
13	2119DFD021	2,6m	Gasket (yard goods)	30m dribble bar
14		2	Washer M12	
15		2	Hex. head cap screw M12x35	
16	13631510243	1	Hydraulic motor OMR100 Ø32	
17	2119DFD083	1	Gasket	
18	2119NKS001	1	Grease nipple	
19		2	Hex. head cap screw M12x35	
20		2	Hex. nut M12, self-locking	
21	2119TDE012	1	Cover	24m dribble bar
21	2119TDE007N1	1	Cover	30m dribble bar
22	2119GSA128	1	Connection DN100	4" hose
	2119GSA129		Connection DN150	5" hose
	2119DFD018	1	Gasket	
		4	Stud M12x35 DIN938	
		4	Hex. nut M12, self-locking	

Flow control



Self-propelled Slurry Distributor SDS7000
Model year 2007 - 2012

Date: 13/8-2013

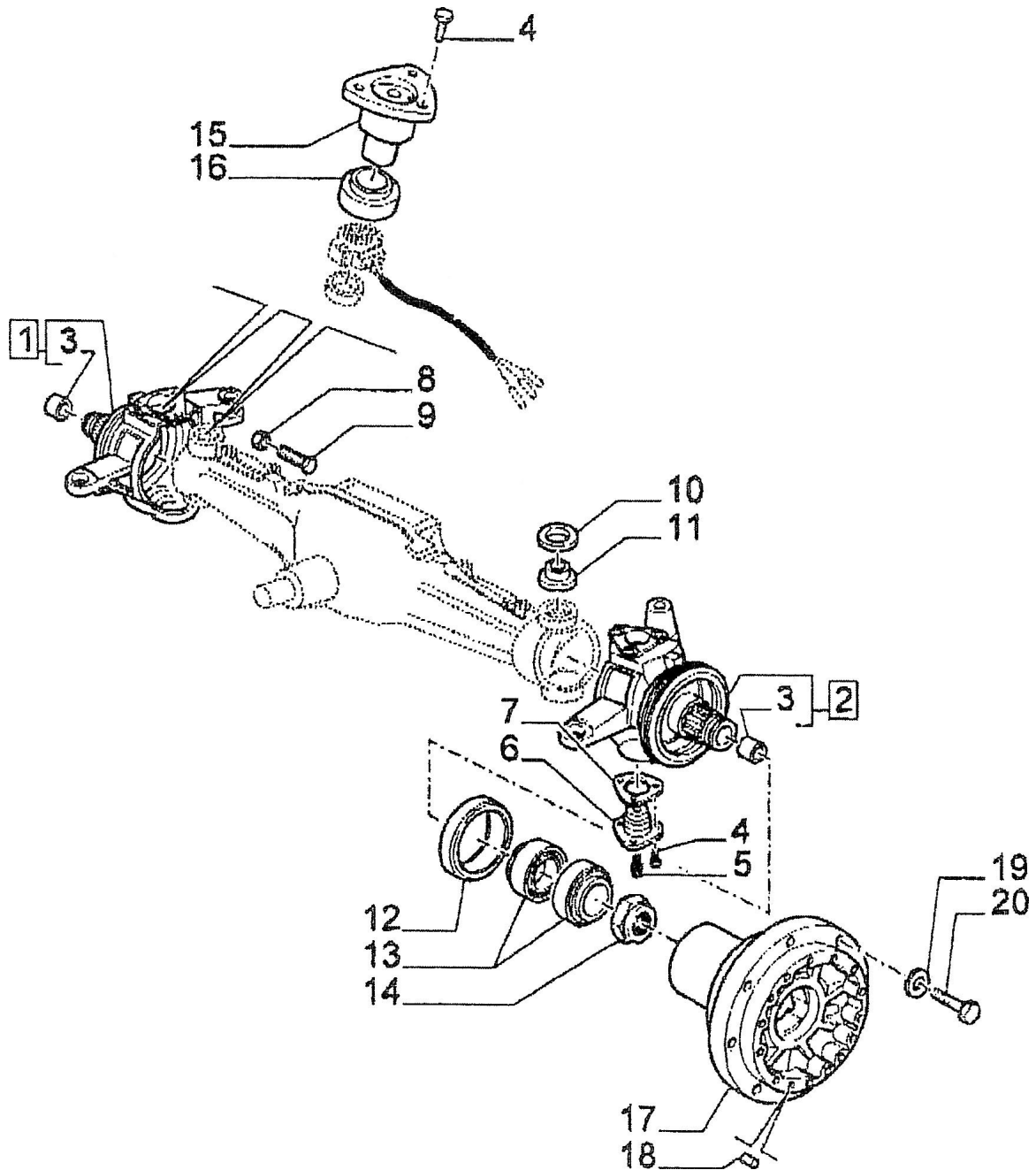
Page 133

Flow control

Pos. no.	Item no.	Pcs.	Description	Note
1	2119KFC001TR	1	CFC hose switch off, right	
1	2119KFC001TL	1	CFC hose switch off, left	
2	16200672	3	Hose clamp 38-50mm	
3	251476802188	1	Connector for hose switch off	
4	2119TSC005	1	Hose DN40/DN40	
5	2119HRS227	1	CFC filling tube, exterior diameter 3mm	
6	2119HFC073	1	Hose, blue for flow control	



New Holland steering axle (2010 and earlier)



Self-propelled Slurry Distributor SDS7000
Model year 2007 - 2012

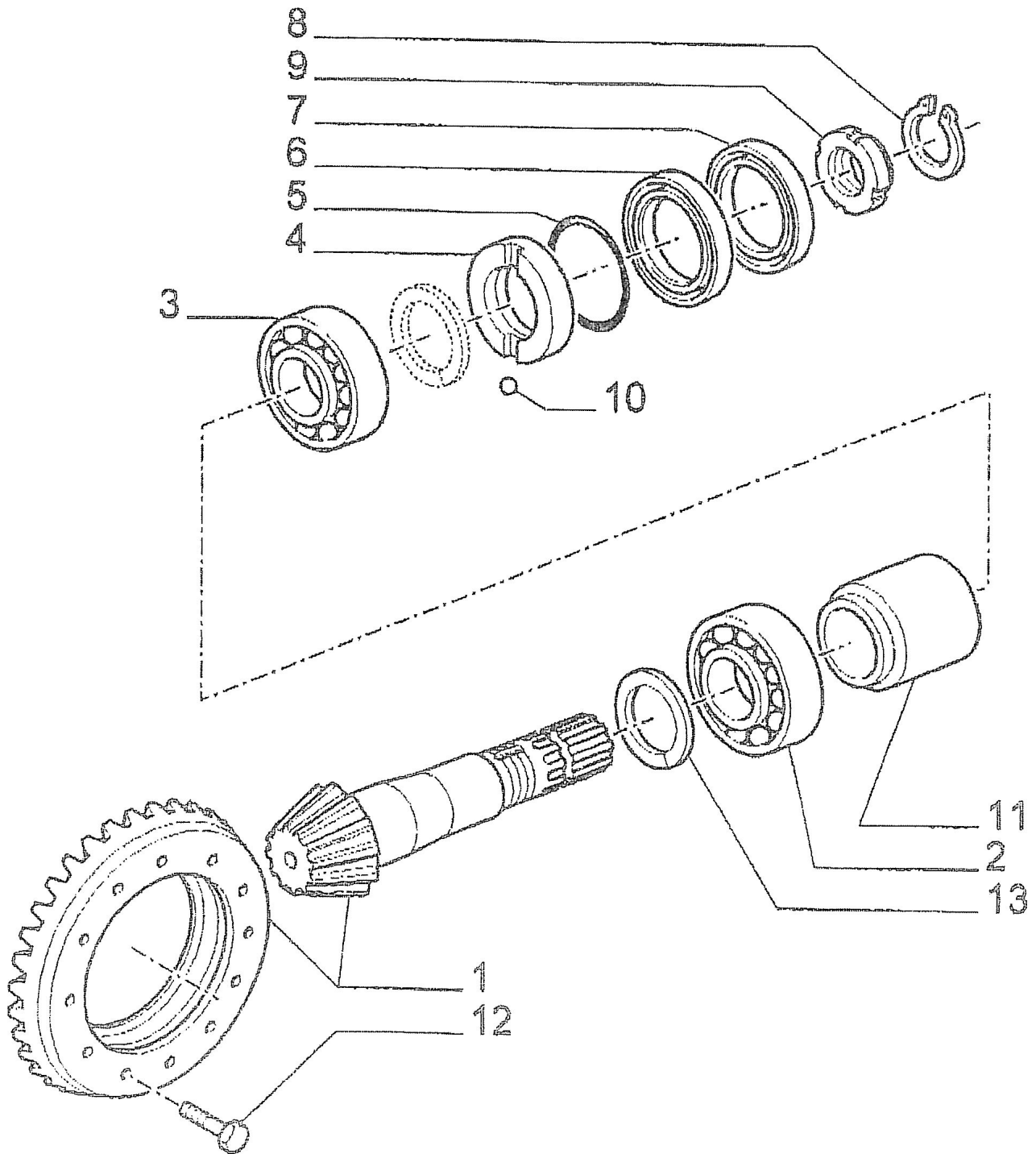
Date: 13/8-2013

Page 135

New Holland steering axle (2010 and earlier)

Pos. no.	Item no.	Pcs.	Description	Note
1	25145171706	1	Stub axle/strg.spindle,RH	
2	25145171704	1	Stub axle/strg.spindle,LH	
3	25145105321	2	Bushing 45x50x30	
4	251414254431	12	Screw M14x1,5x30	
5	25145120532	2	Nipple, lube, M14x1,5	
5	25145187455	1	Nipple, lube.1/4 gas-conic	
6	25145137138	3	Pin, ball	
7	25145137114	AR	Shim mm,0,10	
7	25145137115	AR	Shim mm.0,15	
8	251410717611	2	Nut	
9	25145179447	2	Screw	
10	25145121907	4	Gasket	
11	25145119660	3	Balljoint	
12	25145178141	2	Gasket 190x220x14,5-18	
13	251372765	4	Bearing assy,109,538x158,750x23,02	
14	25145141692	2	Nut, ring M90x22	
15	25145175208	1	Pin	
16	25145169911	1	Ball joint	
17	25132770	2	Hub	
18	25144985063	4	Dowel	
19	25145100516	16	Washer 17x32x5	
20	2514850235	16	Screw M16x1,5x40	

New Holland steering axle (2010 and earlier)



Self-propelled Slurry Distributor SDS7000
Model year 2007 - 2012

Date: 13/8-2013

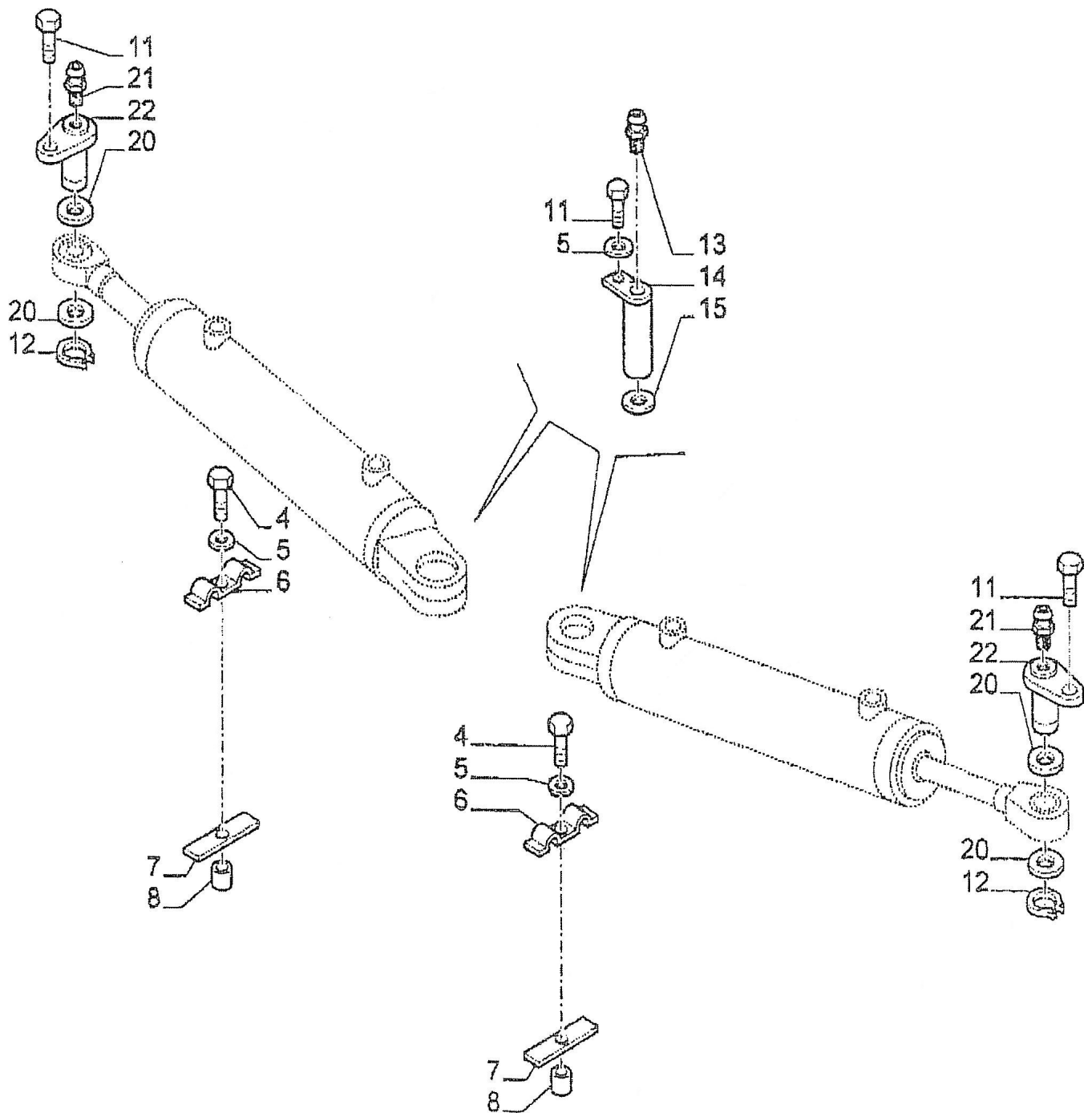
Page 137

New Holland steering axle (2010 and earlier)

Pos. no.	Item no.	Pcs.	Description	Note
1	25145146255	1	Gear, bevel assy (ratio 10/34)	
2	25145143109	1	Bearing assy 41,275x82,550x26,543	
3	25145141714	1	Bearing assy 45x100x38,25	
4	25145143112	1	Ring	
5	251414454580	1	O-ring	
6	25145111415	1	Gasket 57x85x12	
7	25145109309	1	Disc	
8	25145109282	1	Ring	
9	25145119147	1	Nut M40x195	
10	251420419320	1	Ball	
11	25145169286	AR	Spacer	
12	251414274631	12	Screw M12x35	
13	25147888012	AR	Ring mm 45,1x58x0,5	
13	25145121690	AR	Ring mm 45,1x58x2,3	
13	25145121691	AR	Ring mm 45,1x58x2,4	
13	25144999063	AR	Ring mm 45,1x58x2,5	
13	25144999064	AR	Ring mm 45,1x58x2,6	
13	25144999065	AR	Ring mm 45,1x58x2,7	
13	25144999066	AR	Ring mm 45,1x58x2,8	
13	25144999067	AR	Ring mm 45,1x58x2,9	



New Holland steering axle (2010 and earlier)



Self-propelled Slurry Distributor SDS7000
Model year 2007 - 2012

Date: 13/8-2013

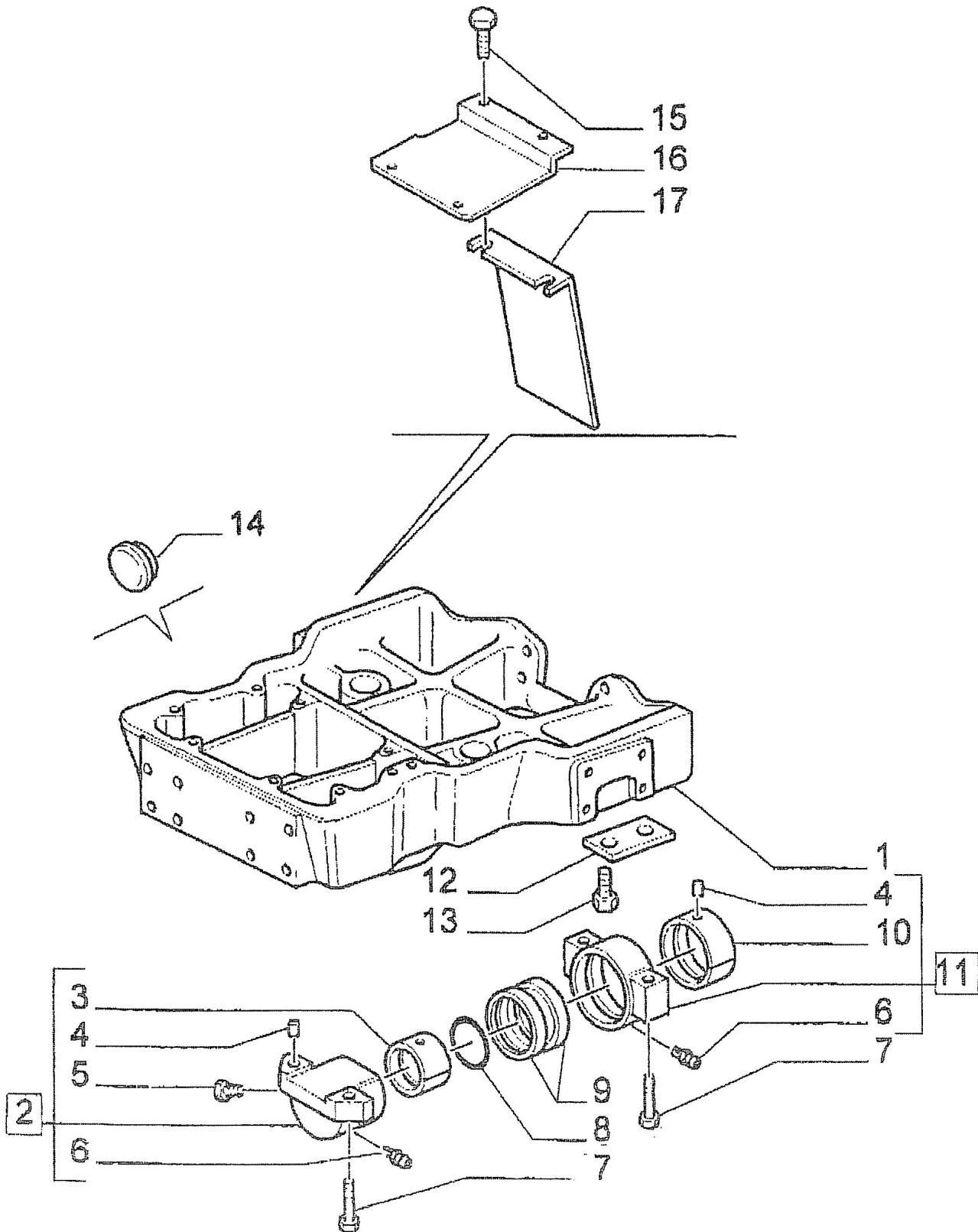
Page 139

New Holland steering axle (2010 and earlier)

Pos. no.	Item no.	Pcs.	Description	Note
1	25145164022	2	Servo steering cyl.	
4	251416043824	2	Screw M8x30	
5	251411193874	4	Washer, lock 8x16	
6	25145188504	2	Bracket	
7	25145188503	2	Bracket	
8	251413605811	2	Spacer 8,5x18x10	
11	251416043424	4	Screw Cap HH M8x1,25x20	
12	251411067376	2	Ring, locking	
13	25145120532	2	Nipple, lube	
14	25145135870	2	Pin	
15	25145111576	2	Spacer 25,5x34x11	
20	25145111573	4	Washer, lock 25,5x34	
21	251480087414	2	Nipple, lube, straight 1/4" - 28	
22	25145171707	2	Pin	



New Holland steering axle (2010 and earlier)



Self-propelled Slurry Distributor SDS7000
Model year 2007 - 2012

Date: 13/8-2013

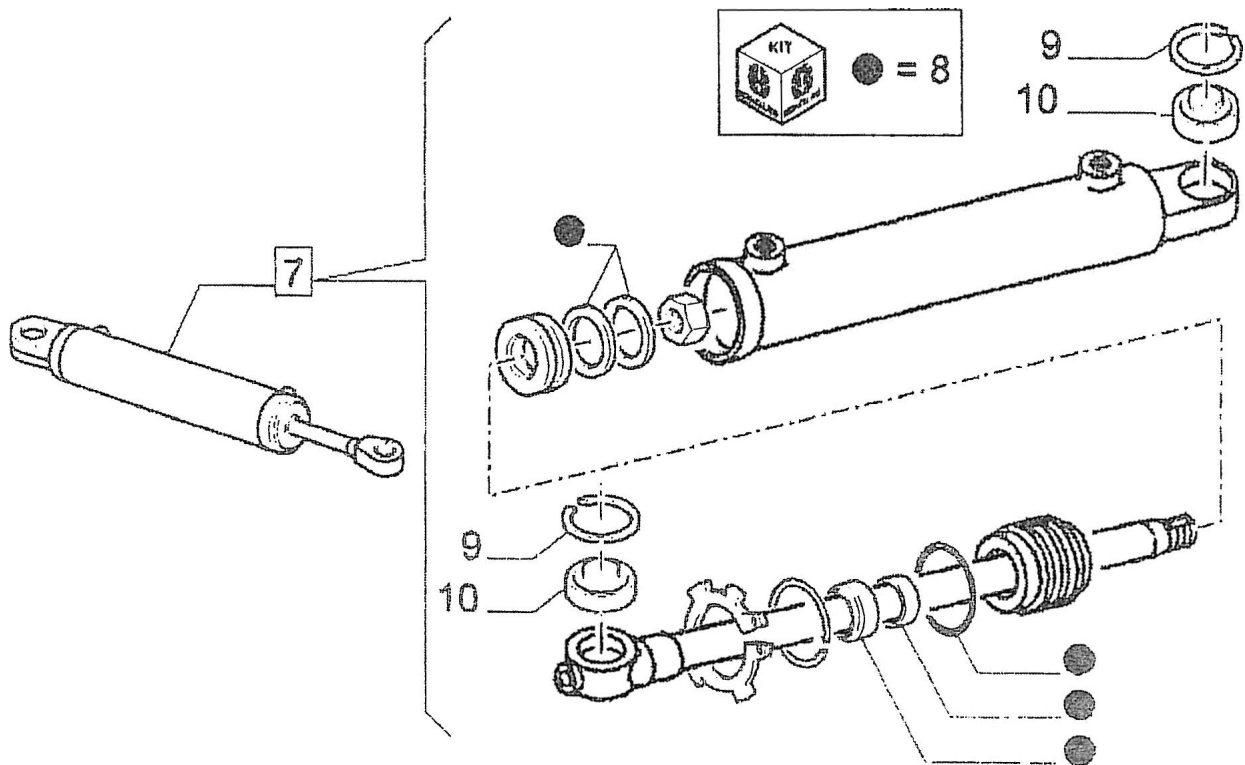
Page 141

New Holland steering axle (2010 and earlier)

Pos. no.	Item no.	Pcs.	Description	Note
1	251482015148	1	Support	
2	2514850222	1	Support	
3	25145140889	1	Bushing	
4	251410837710	4	Dowel	
5	251413410917	1	Valve hydraulic	
6	251413407211	2	Nipple, lube	
7	2514850236	2	Screw, M18x1,5x65	
7	2514850237	2	Screw, M18x1,5x100	
8	2514850224	1	Gasket	
9	25145188607	2	Gasket	
10	25145140589	1	Bushing	
11	2514850220	1	Support	
12	25145167043	2	Plate cover	
13	251482015433	4	Screw	
14	251482012265	2	Plug	
15	251415970524	3	Screw	
15	251416288324	1	Screw	
16	25145175024	1	Guard	
17	25145169749	1	Guard	



New Holland steering axle (2010 and earlier)



Self-propelled Slurry Distributor SDS7000
Model year 2007 - 2012

Date: 13/8-2013

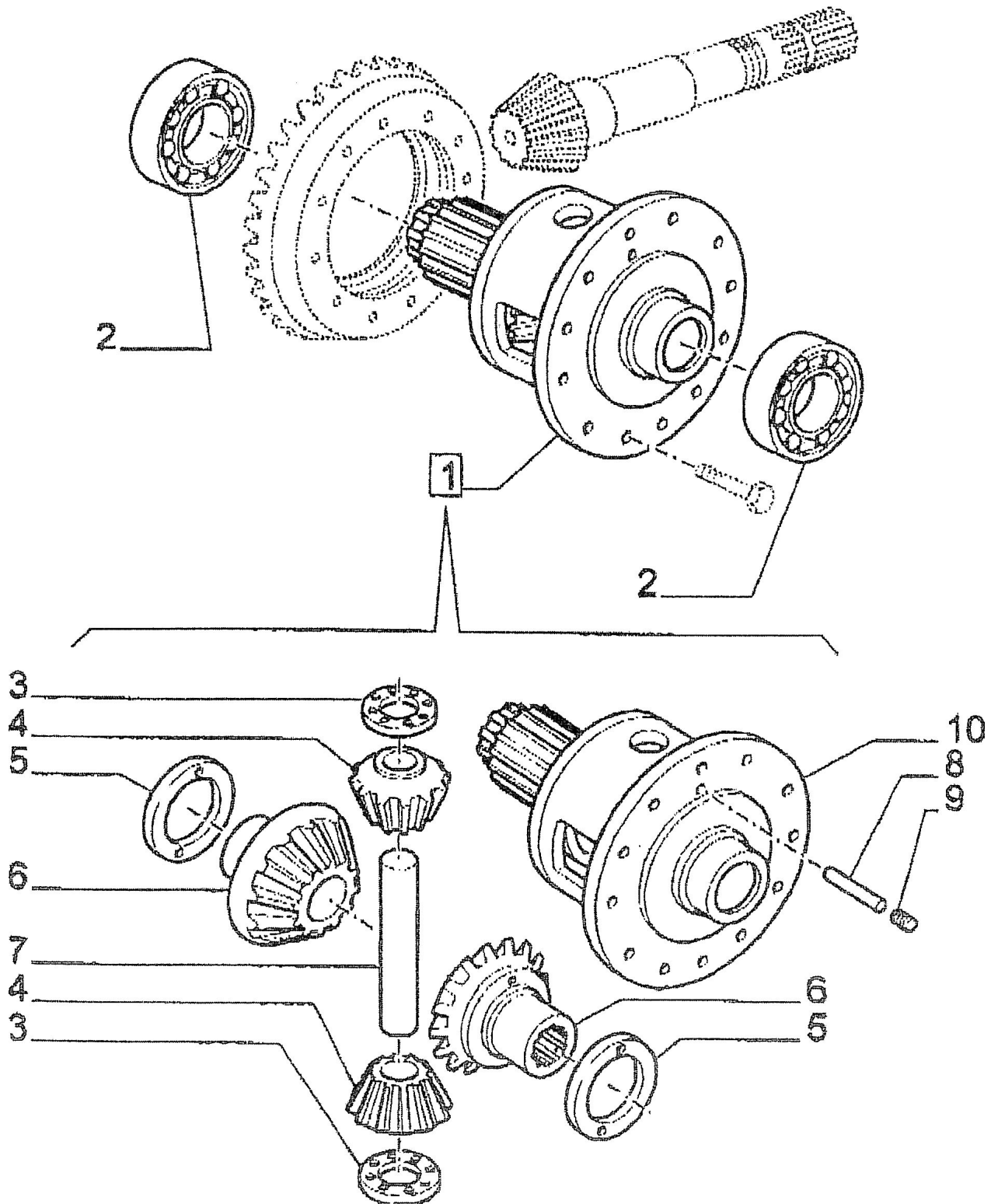
Page 143

New Holland steering axle (2010 and earlier)

Pos. no.	Item no.	Pcs.	Description	Note
7	25145164022	1	Servo steering cyl.	
8	25145164022-01	1	Kit	
9	25149958576	2	Ring locking	
10	193123121	2	Bearing	



New Holland steering axle (2010 and earlier)



Self-propelled Slurry Distributor SDS7000
Model year 2007 - 2012

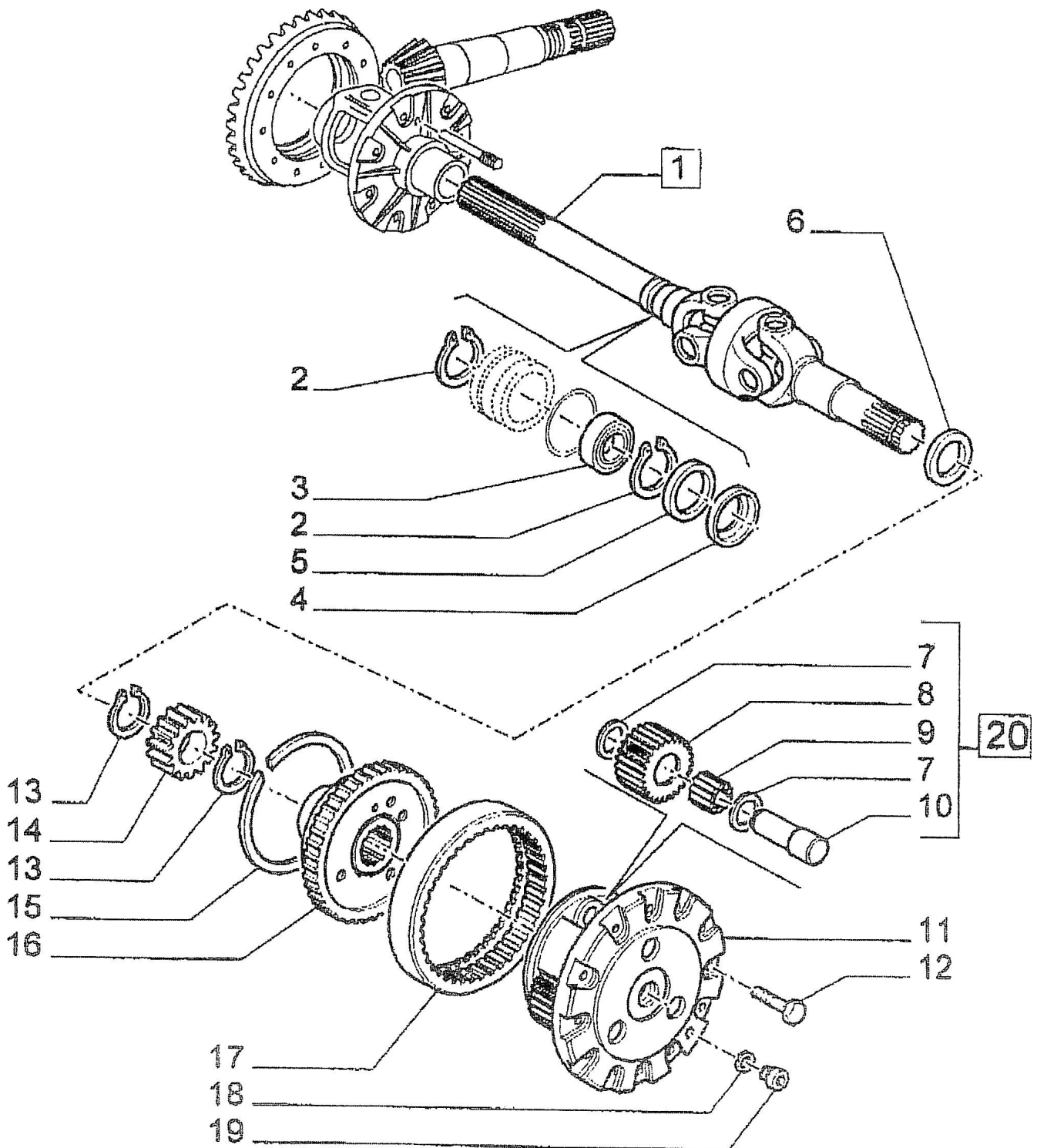
Date: 13/8-2013

Page 145

New Holland steering axle (2010 and earlier)

Pos. no.	Item no.	Pcs.	Description	Note
1	25145134978	1	Differential gear	
2	251424903470	2	Bearing assy	
3	25144991658	2	Washer, thrust	
4	25144991695	2	Pinion, idler	
5	25144997235	AR	Ring, mm1,5	
5	25144997236	AR	Ring, mm1,0	
5	25145138267	AR	Ring, mm1,7	
5	25145144801	AR	Ring, mm1,4	
5	25145144802	AR	Ring, mm1,8	
5	25145170588	AR	Ring, mm1,9	
5	25145170589	AR	Ring, mm2,0	
5	25145182769	AR	Ring, mm2,1	
5	25145182770	AR	Ring, mm2,2	
6	25145149551	2	Gear, planetary	
7	25145168624	1	Pin	
8	25145173242	1	Pin, roll	
9	251413807870	1	Screw M8x14	
10	25145174845	1	Box	

New Holland steering axle (2010 and earlier)



Self-propelled Slurry Distributor SDS7000
Model year 2007 - 2012

Date: 13/8-2013

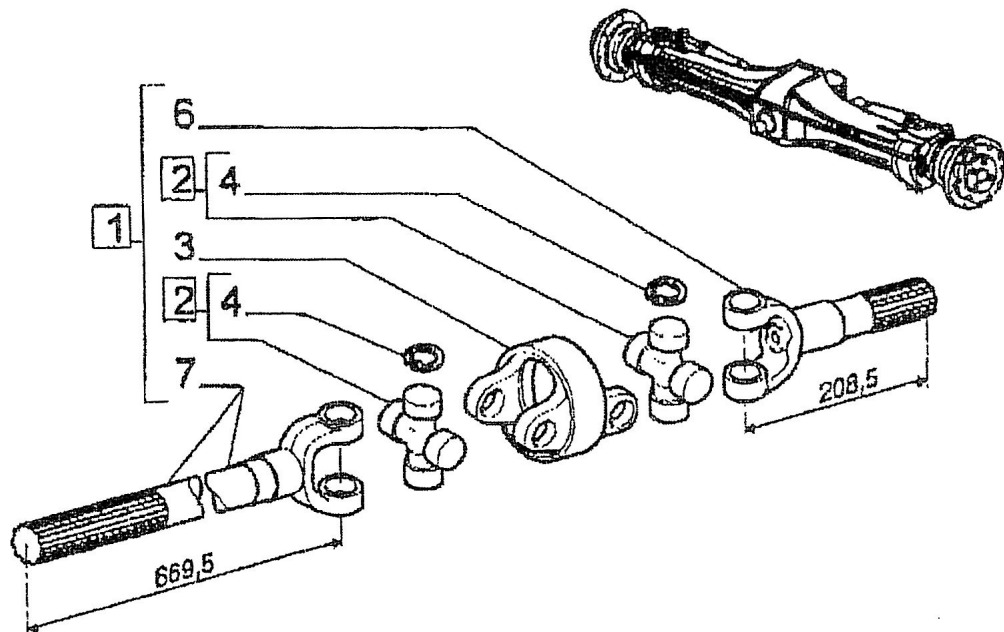
Page 147

New Holland steering axle (2010 and earlier)

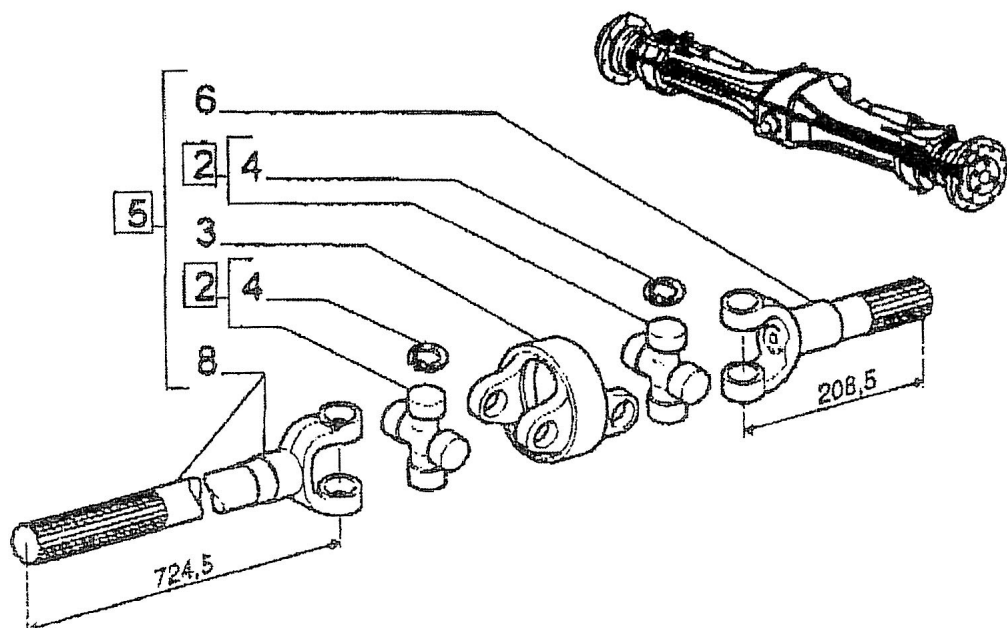
Pos. no.	Item no.	Pcs.	Description	Note
1	25145174473	1	Axleshaft articulated, LH	
1	25145174475	1	Axleshaft articulated, RH	
2	251411061376	4	Ring, locking	
3	251428042480	2	Bearing assy,	
4	25145109311	2	Disc	
5	25145105948	2	Gasket, 45x55x12	
6	25145183845	1	Gasket	
7	25144998022	12	Washer, thrust	
8	25145102132	6	Pinion, idler	
9	25145101692	6	Bearing assy, 31,8x41,9x35,5	
10	25145181056	6	Pin	
11	25145181054	2	Carrier	
12	251414274631	24	Screw M12x55	
13	25145123651	6	Ring	
14	25145136819	2	Gear, planetary	
15	25144986355	2	Ring	
16	25145141691	2	Disc,	
17	25145102130	2	Gear, ring	
18	251410263460	2	Gasket	
19	251410305171	2	Plug M122x15	
20	25145181054	2	Carrier	

New Holland steering axle (2010 and earlier)

FOR RIGHT WHEEL



FOR LEFT WHEEL



Self-propelled Slurry Distributor SDS7000
Model year 2007 - 2012

Date: 13/8-2013

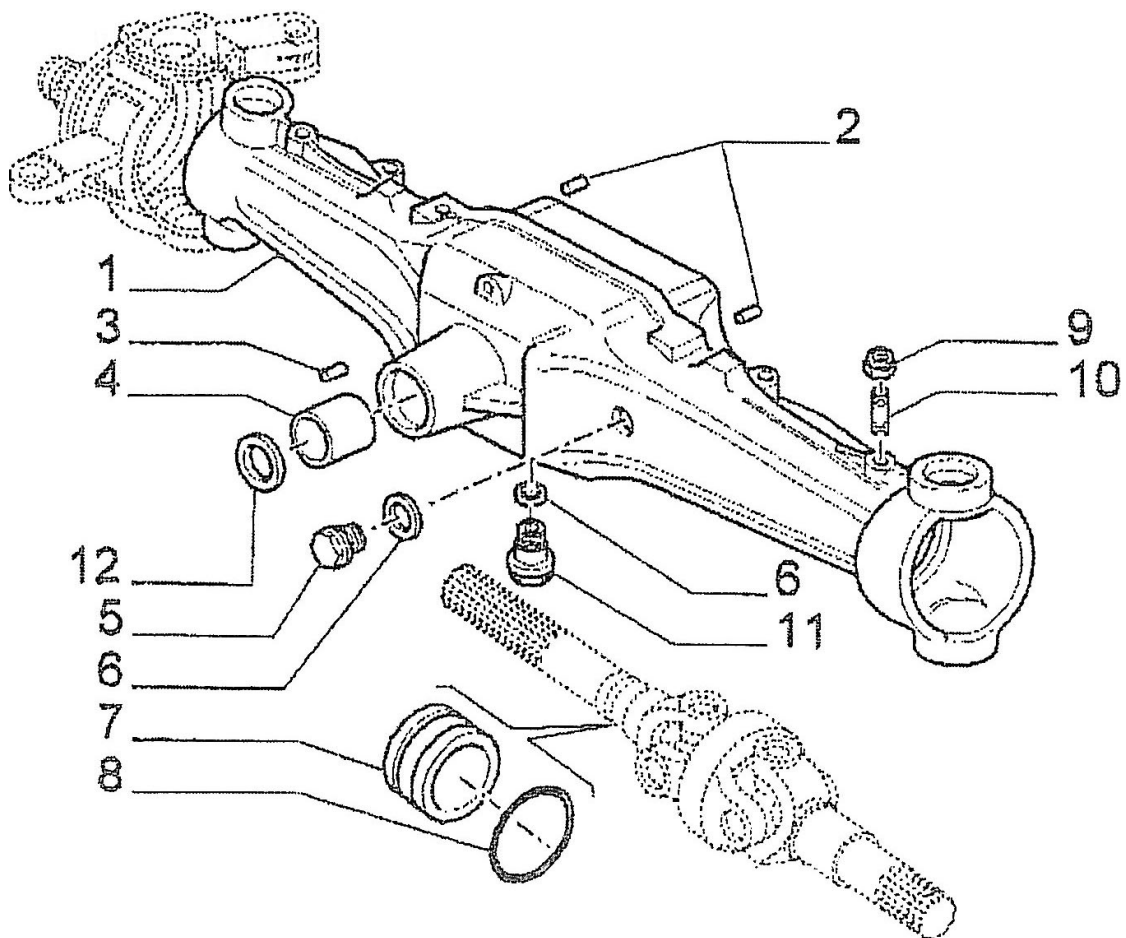
Page 149

New Holland steering axle (2010 and earlier)

Pos. no.	Item no.	Pcs.	Description	Note
1	25145174475	1	Axle-shaft articulated, assy, RH	
2	25145191482	2	Spider	
3	25145191485	1	Yoke	
4	25145191483	8	Ring, locking	
5	25145174473	1	Axle-shaft articulated, assy, LH	
6	25145191484	1	Axle-shaft articulated	
7	25145191486	1	Axle-shaft articulated	
8	25145191487	1	Axle-shaft articulated	



New Holland steering axle (2010 and earlier)



Self-propelled Slurry Distributor SDS7000
Model year 2007 - 2012

Date: 13/8-2013

Page 151

New Holland steering axle (2010 and earlier)

Pos. no.	Item no.	Pcs.	Description	Note
1	25145182467	1	Sox. (2,3,4,13)	
2	25144988170	2	Dowel, 10x20	
3	25144966244	1	Dowel, 5x15	
4	25145140170	1	Pin	
5	251410305171	1	Plug M22x1,5	
6	251410263460	2	Gasket	
7	25145134277	2	Sleeve	
8	251414461180	2	O-ring 2,62x88,57	
9	251414048821	2	Nut, M12x1,25	
10	25145100194	2	Screw	
11	25145118991	1	Plug, M22x1,5 magnetic	
12	2514850240	1	Ring	

