

Self-propelled Slurry Distributor

**Spare Parts for
Dribble bar 30m
Model year 2014 -**



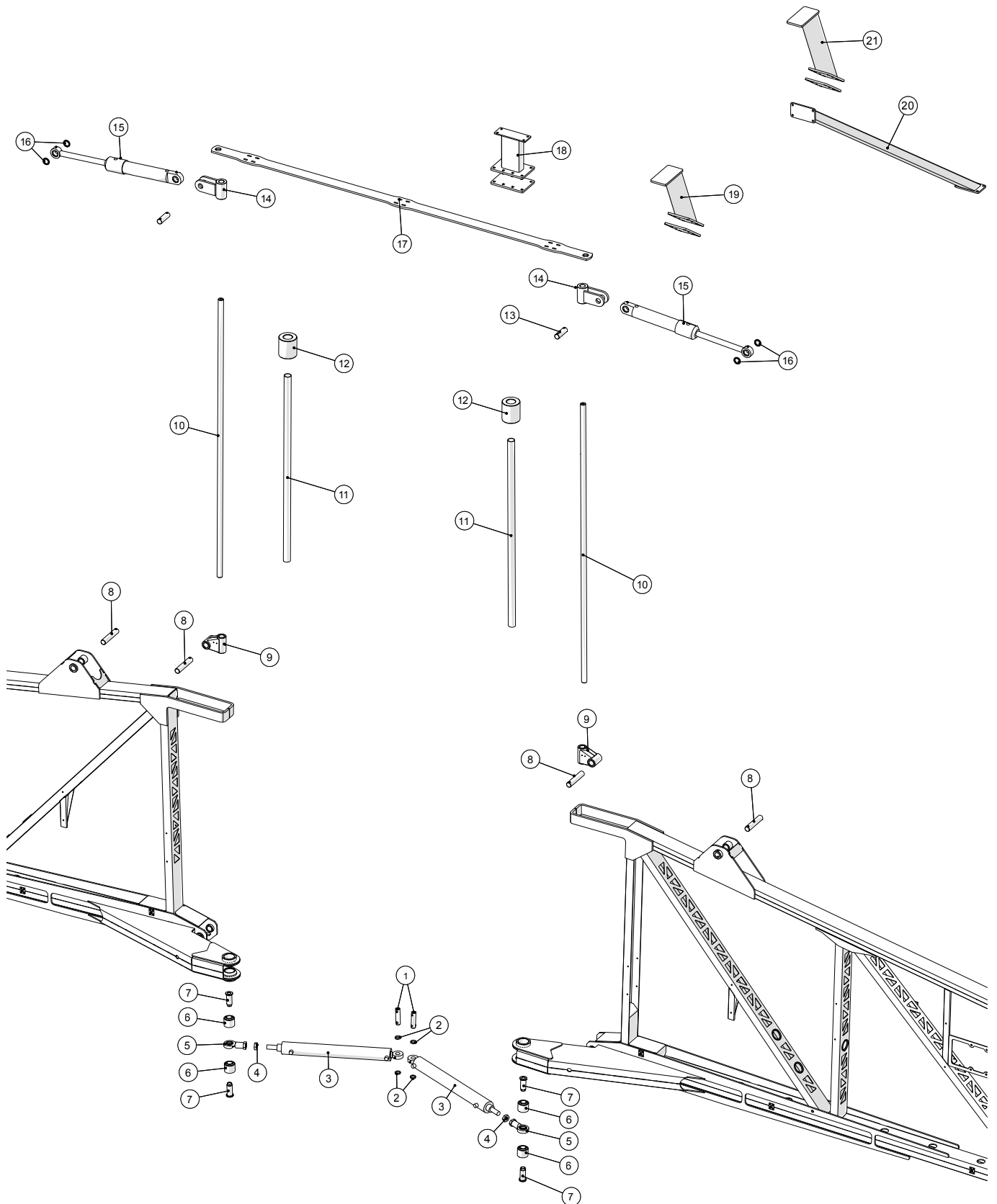
Dribble bar 30m Model year 2014 -	Date: 12/5-2016
	2

Table of Contents

Fastening.....	3
Inner - right	4
Swivel joint inner/middle - right	5
Middle - right	6
Swivel joint middle/outer - right.....	7
Outer - right	8
Inner - left	9
Swivel joint inner/middle - left	10
Middle - left	11
Swivel joint middle/outer - left.....	12
Outer - left	13
Distributor - Vogelsang DOSIMAT LV48 DN40.....	14
Distributor - Vogelsang DOSIMAT LVX800 48 DN40	15
Flow control	16
Flow control - Pneumatic unit.....	17



Fastening

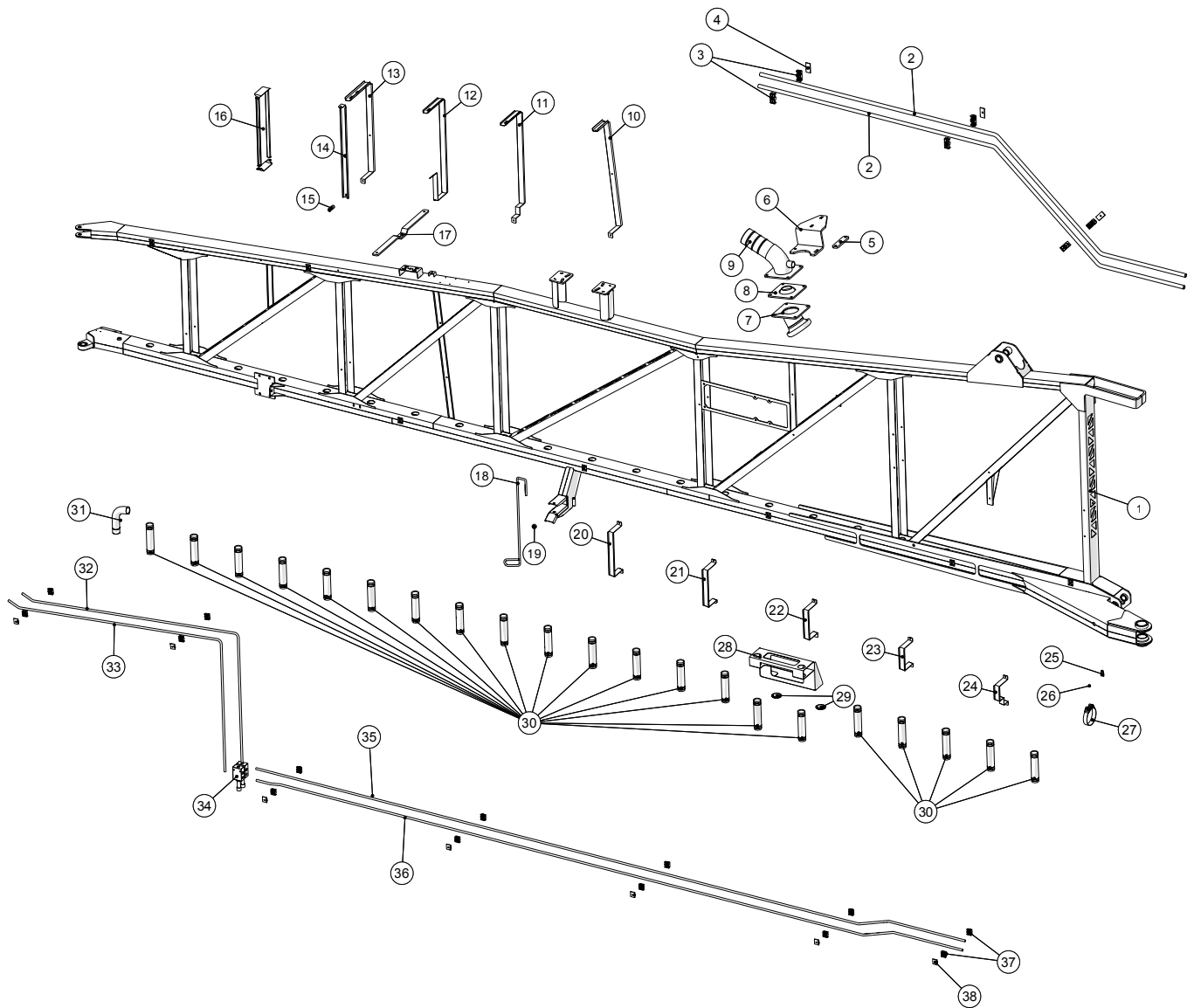


Dribble bar 30m Model year 2014 -	Date: 12/5-2016
	3

Fastening				
Pos. no.	Item no.	Pcs.	Description	Note
1	251476707290	2	Pin for lower cylinder	
2	251476801232	4	Spacer	
3	2514850094	2	Cylinder	
	2514850094-01	2	Seal kit for cylinder	
4	25141930866	2	Lock nut M24x2	
5	19313020	2	Rod end GIR25-DO	
6	251476802146	4	Rubber bush	
7	251476802172	4	Bush	
8	251476801888	4	Pin	
9	251476636190	2	Bearing bush	
10	251476642470	2	Shaft for wing - frame	
11	2514850106	2	Pipe	
12	251476801874	2	Spacer	
13	251476802076	2	Pin	
14	251476802074	2	Cylinderbracket	
15	2514850102	2	Cylinder	
	2514850102-01	2	Seal kit for cylinder	
16	251476802130	4	Distance bushing top fastening	
17	251476632480	1	Bracket for frame	
18	251476802092	1	Middle reinforcing	
19	251476802087	1	Top reinforcement	
20	251476801881	1	Diagonal brace for retrofitting at 30m dribble bar	
21	251476802086	1	Top reinforcement for retrofitting at 30m dribble bar	



Inner - right



Dribble bar 30m
Model year 2014 -

Date: 12/5-2016

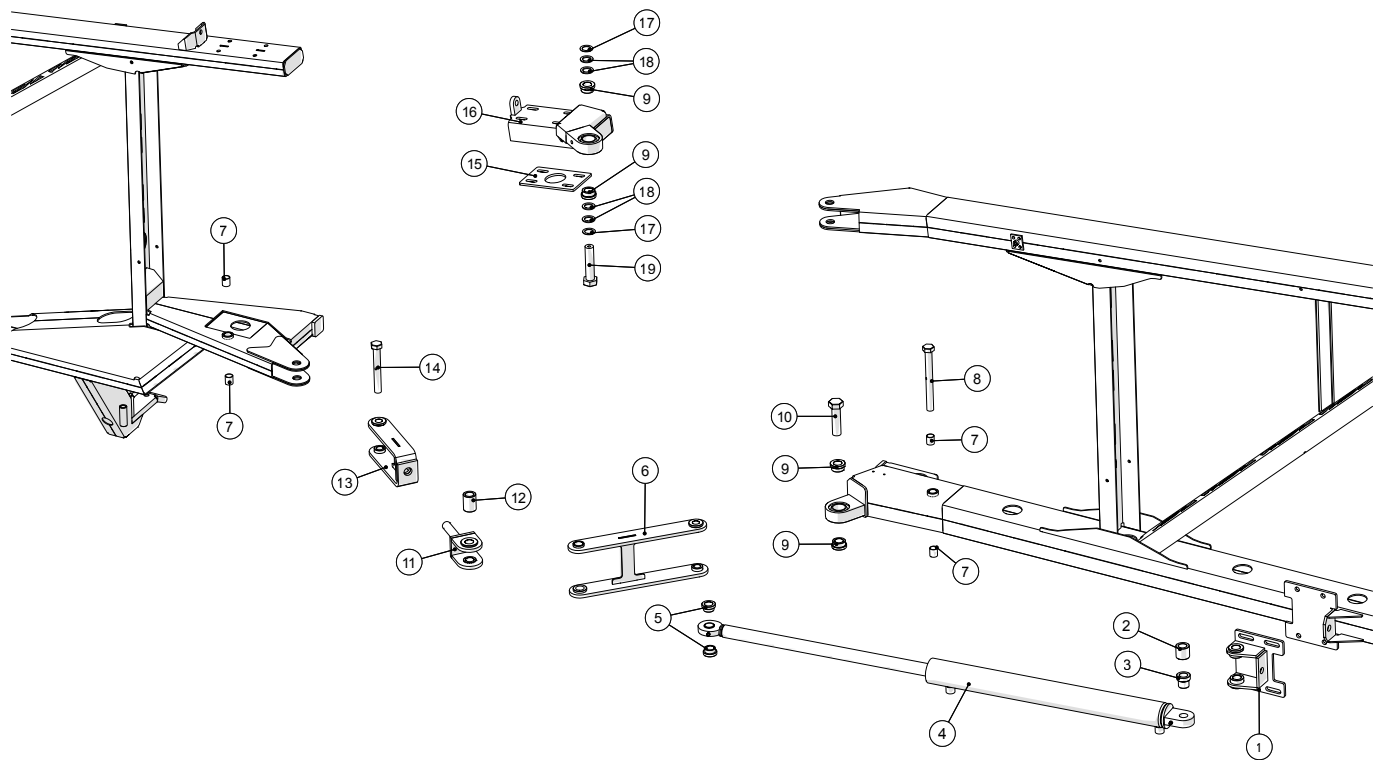
4

Inner - right

Pos. no.	Item no.	Pcs.	Description	Note
1	251476801901	1	Right inner dribble bar	
2	251476802052	2	Hydraulic pipe for distributor	
3	51000122-01	6	STAUFF Clamp Body, double 22mm	
4	51000122-03	3	STAUFF Cover Plate, double 22mm	
5	251476802068	1	Backplate for bracket for supply hose	
6	251476802067	1	Bracket for supply hose to right distributor	
7	251476802258	1	30° coupling for distributor	
8	251476704710	1	Sleeve for hose connection	4" hose
	251476802387	1	Sleeve for hose connection	5" hose
9	251476704670	1	Elbow for transducer	
10	251476801837	1	Hose bracket for 28 hoses	
11	251476804058	1	Hose bracket for 25 hoses	
12	251476804059	1	Hose bracket for 24 hoses	
13	251476804061	1	Hose bracket for 22 hoses	
14	251476805095	1	Backplate for hose bracket 22 hoses	
15	251476801995	1	Spacer for hose bracket	
16	251476801864	1	Hose bracket	
17	2514801580	1	Bracket for lights	
18	251476641180	1	Locking rod	
19	251476801579	1	Vibration absorber 25x15 M8	
20	251476801949	1	Hose bracket for 12 hoses	
21	251476801947	1	Hose bracket for 10 hoses	
22	251476801941	1	Hose bracket for 8 hoses	
23	251476801943	1	Hose bracket for 6 hoses	
24	251476801945	1	Hose bracket for 5 hoses	
25	251476802081	1	Bracket	
26	251476802082	1	Spacer	
27	16200734	1	Hose clamp 113-121mm	
28	251476802687	1	Hose bracket for 2 hoses	
29	251476802689	2	Washer for hose bracket	
30	251476801575	21	Pipe for hose duct	
31	251476802131	1	Angle hose bracket	
32	251476801784	1	Hydraulic pipe 1	
33	251476801785	1	Hydraulic pipe 2	
34		1		
35	251476801886	1	Hydraulic pipe	
36	251476802064	1	Hydraulic pipe	
37	51000112-01	14	STAUFF Clamp Body, double 12mm	
38	51000112-03	7	STAUFF Cover Plate, double 12mm	



Swivel joint inner/middle - right

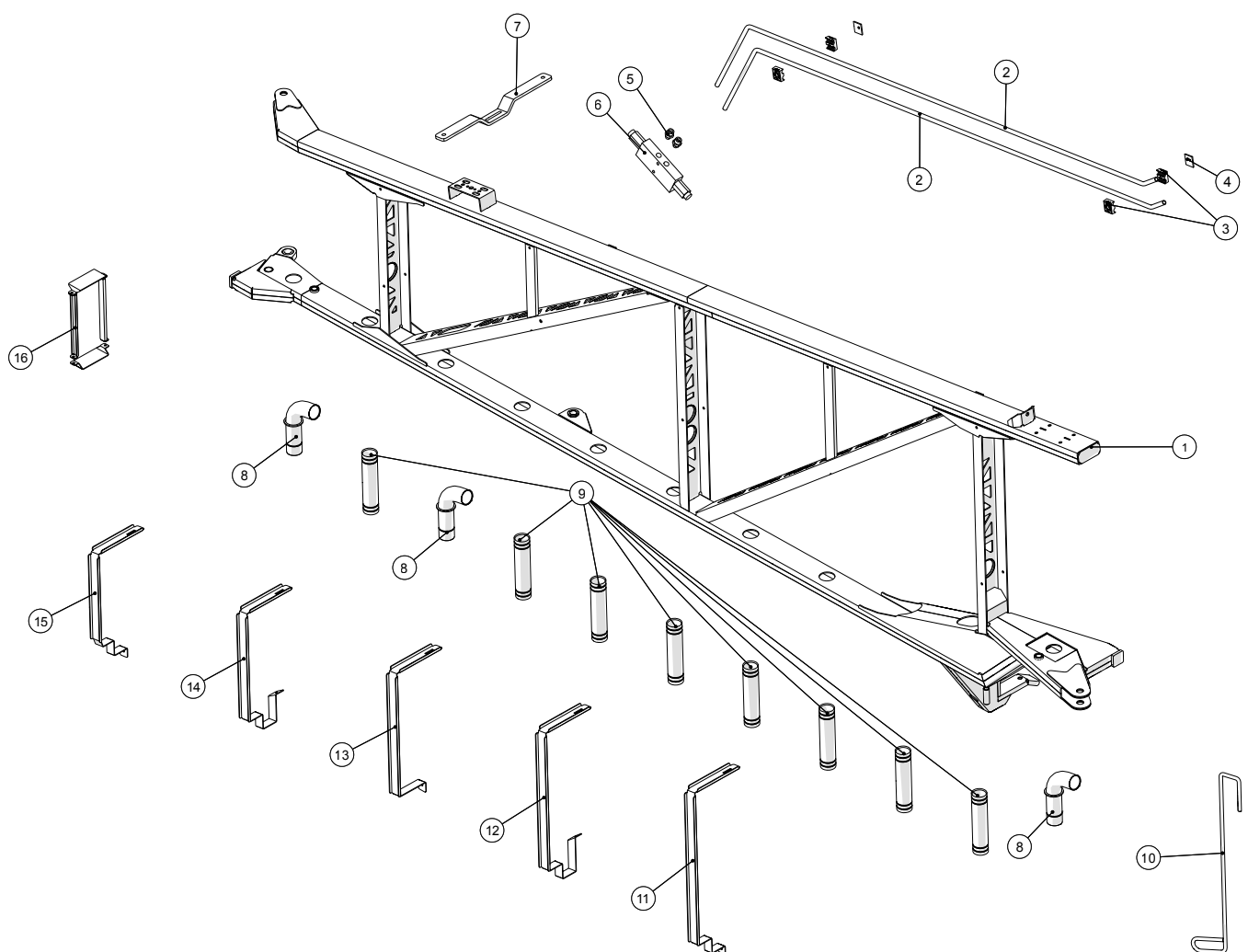


Dribble bar 30m Model year 2014 -	Date: 12/5-2016
	5

Swivel joint inner/middle - right				
Pos. no.	Item no.	Pcs.	Description	Note
1	251476804012	1	Mounting plate for cylinder	
2	251476802283	1	Bushing for larger cylinder	
3	251476802273	1	Bushing for cylinder	
4	2514853013-01	1	Cylinder	
	2514853014	1	Seal kits for cylinder	
5	251476802272	2	Bushing for fork end	
6	251476801766	1	Arm	
7	251476801586	4	Slide bush	
8	251476801806	1	Bolt w/grease hole M16x160	
9	251476801813	4	Bush	
10	251476802144	1	Bolt w/grease hole	
11	251476802267	1	Fork end for cylinder arm	
12	251476801764	1	Spacer bracket	
13	251476801754	1	Cylinder arm	
14	251476801805	1	Bolt w/grease hole M16x120	
15	251476801674	1	Clamping plate for adjustable joint	
16	251476801928	1	Adjustable joint	
17	251476801815	2	Washer 1mm	
18	251476801814	4	Washer 2mm	
19	251476802145	1	Bolt w/grease hole	



Middle - right

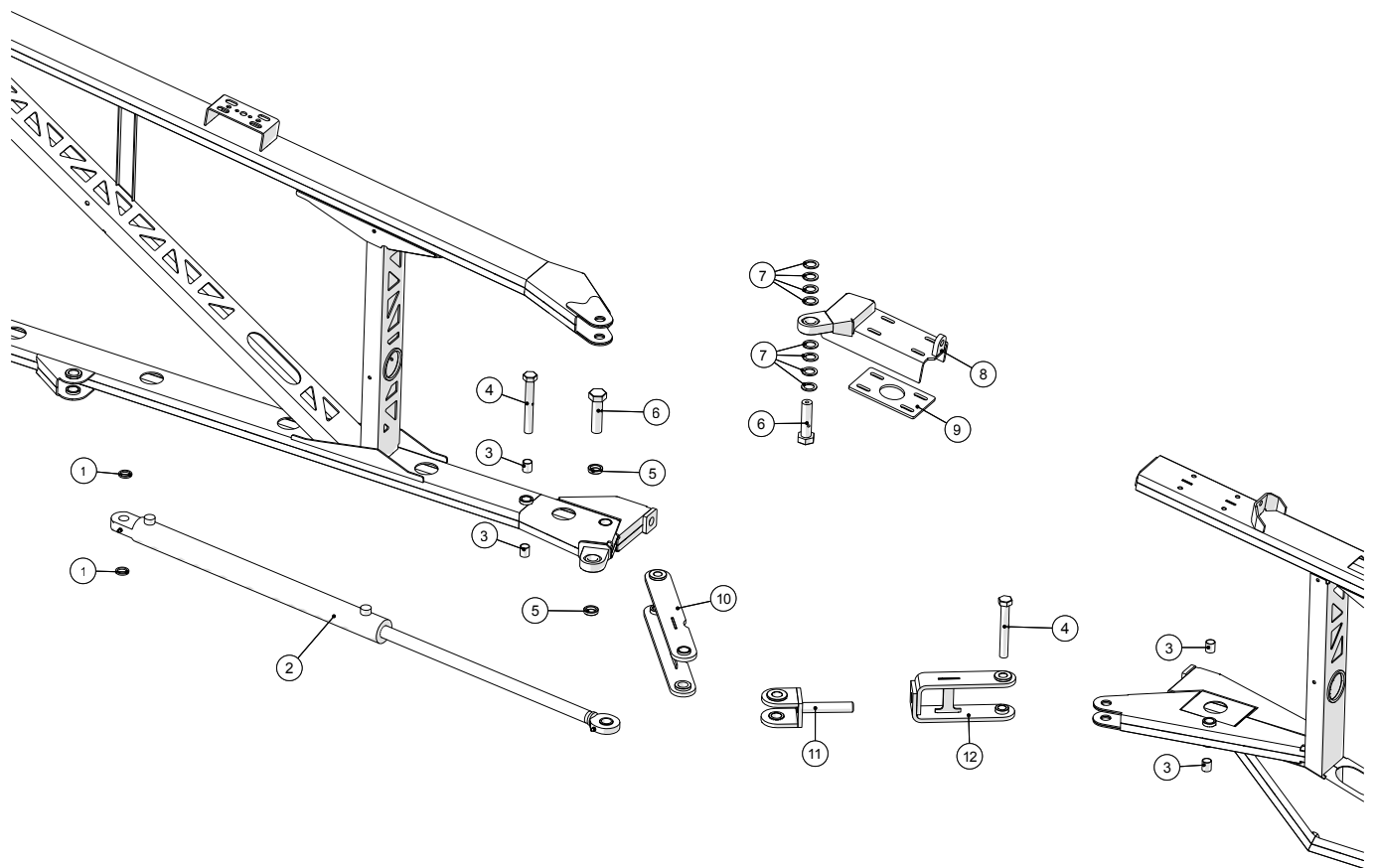


Dribble bar 30m Model year 2014 -	Date: 12/5-2016
	6

Middle - right				
Pos. no.	Item no.	Pcs.	Description	Note
1	251476801902	1	Right middle dribble bar	
2	251476801788	2	Hydraulic pipe 5	
3	51000112-01	4	Pipe clamp - double 12mm	
4	51000112-03	2	Cover plate - double 12mm	
5	503373063	2	Reduction 1/4" - 12mm	
6	2514702393	1	Control valves 3/8" double	
7	251476802065	1	Bracket for lights	
8	251476802131	3	Angle hose bracket	
9	251476801575	8	Pipe for hose duct	
10	251476641180	1	Locking rod	
11	251476804074	1	Hose bracket for 19 hoses	
12	251476804076	1	Hose bracket for 17 hoses	
13	251476804078	1	Hose bracket for 14 hoses	
14	251476804080	1	Hose bracket for 13 hoses	
15	251476804082	1	Hose bracket for 11 hoses	
16	251476801863	1	Hose bracket	
	251476801862	2	Side profile for hose bracket, middle	
	251476801818	2	Top/bottom for hose bracket	



Swivel joint middle/outer - right

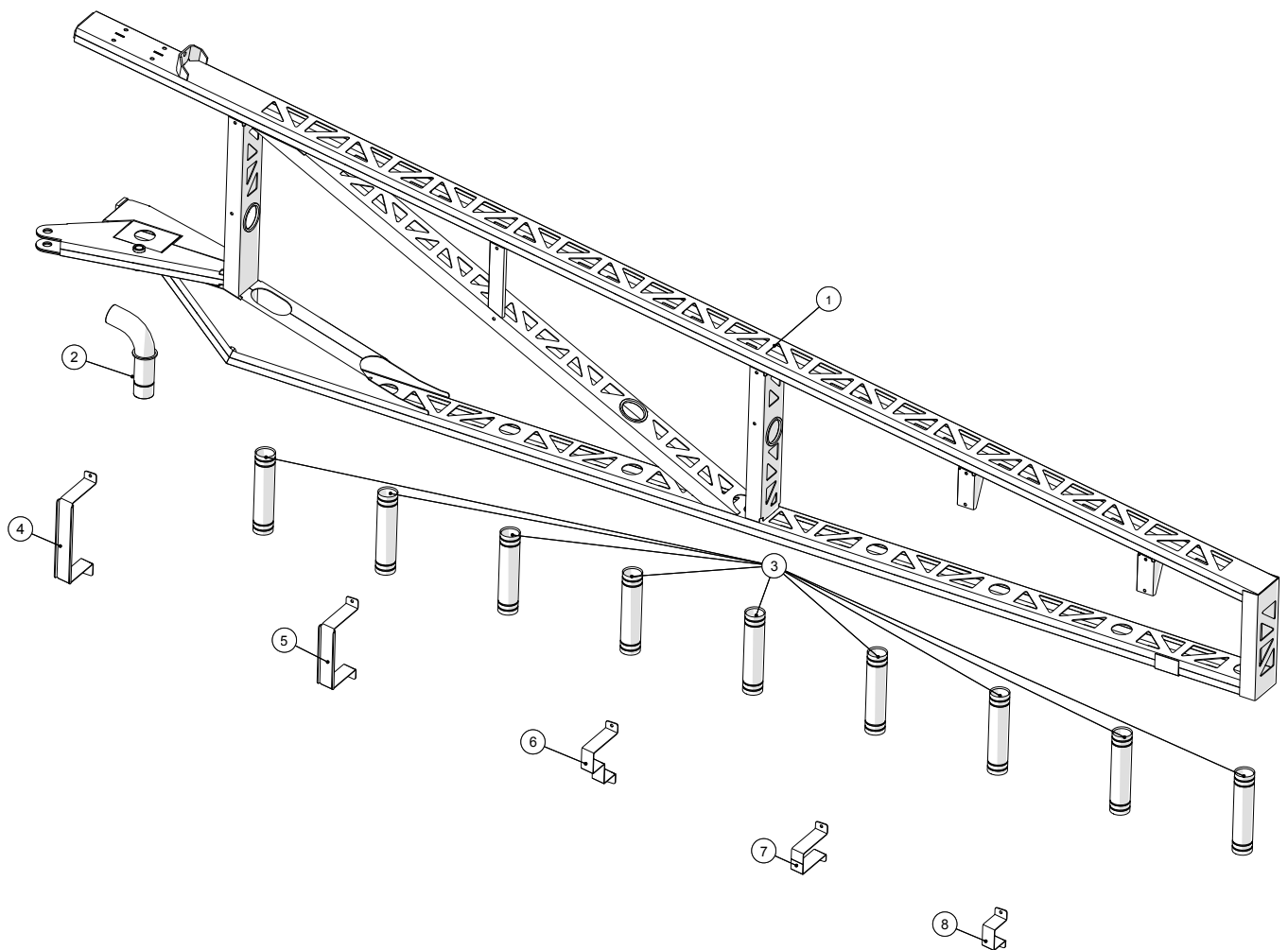


Dribble bar 30m Model year 2014 -	Date: 12/5-2016
	7

Dribble bar 30m, swivel joint middle/outer - right				
Pos. no.	Item no.	Pcs.	Description	Note
1	251476801779	2	Washer for cylinder	
2	2514853010-02	1	Cylinder	
	2514853011	1	Seal kits for cylinder	
3	251476801586	4	Slide bush	
4	251476801805	2	Bolt w/grease hole M16x120	
5	251476801816	2	Spacer	
6	251476802144	2	Bolt w/grease hole	
7	251476801814	8	Washer 2mm	
8	251476801938	1	Adjustable joint	
9	251476801674	1	Clamping plate for adjustable joint	
10	251476801776	1	Arm	
11	251476802267	1	Bracket for cylinder arm	
12	251476801754	1	Cylinder arm	



Outer - right

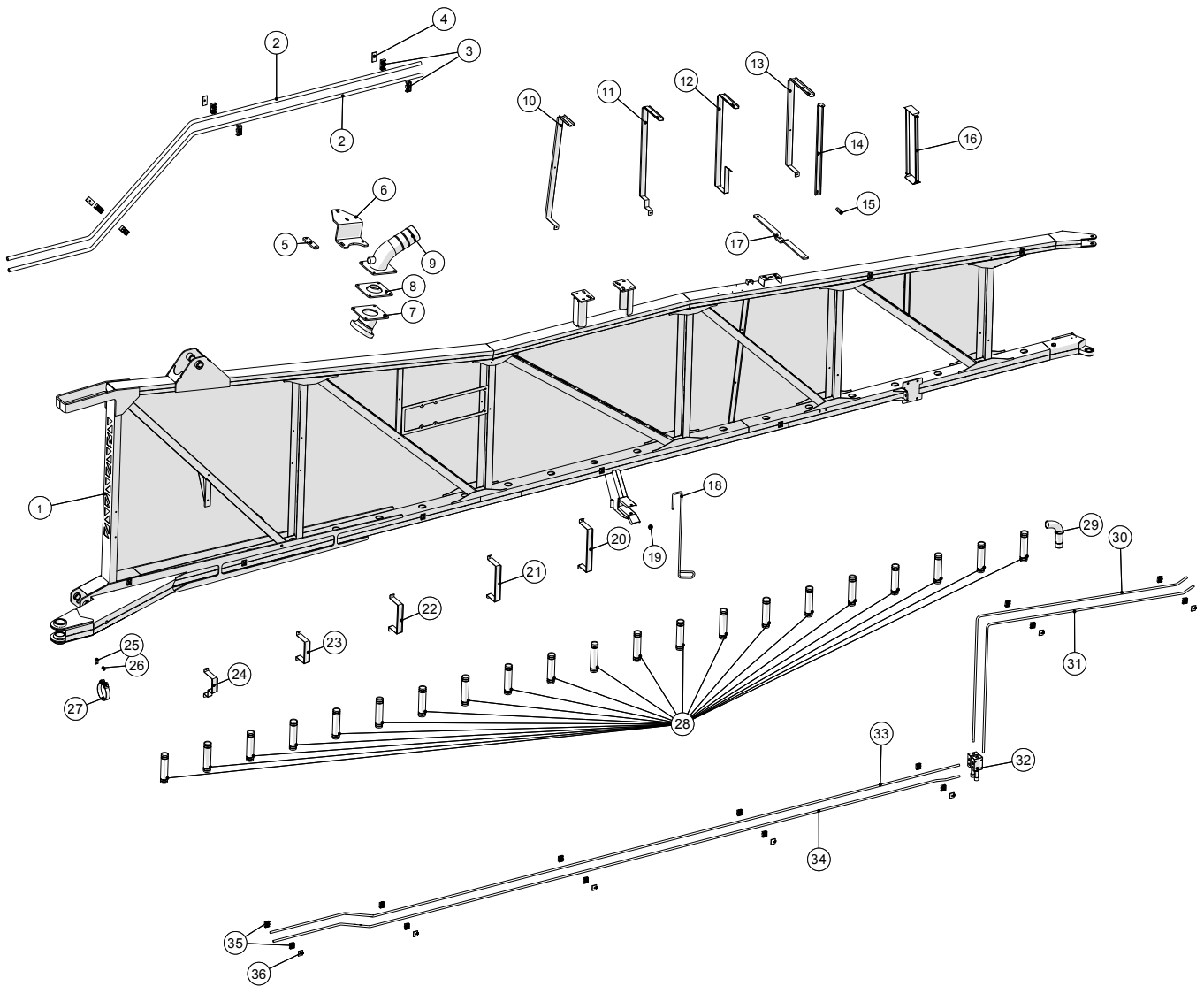


Dribble bar 30m Model year 2014 -	Date: 12/5-2016
	8

Outer - right				
Pos. no.	Item no.	Pcs.	Description	Note
1	251476801903	1	Right outer dribble bar	
2	251476802131	1	Angle hose bracket	
3	251476801575	9	Pipe for hose duct	
4	251476801941	1	Hose bracket for 8 hoses	
5	251476801943	1	Hose bracket for 6 hoses	
6	251476801966	1	Hose bracket for 3 hoses	
7	251476801970	1	Hose bracket for 2 hoses	
8	251476801971	1	Hose bracket for 1 hose	



Inner - left



Dribble bar 30m
Model year 2014 -

Date: 12/5-2016

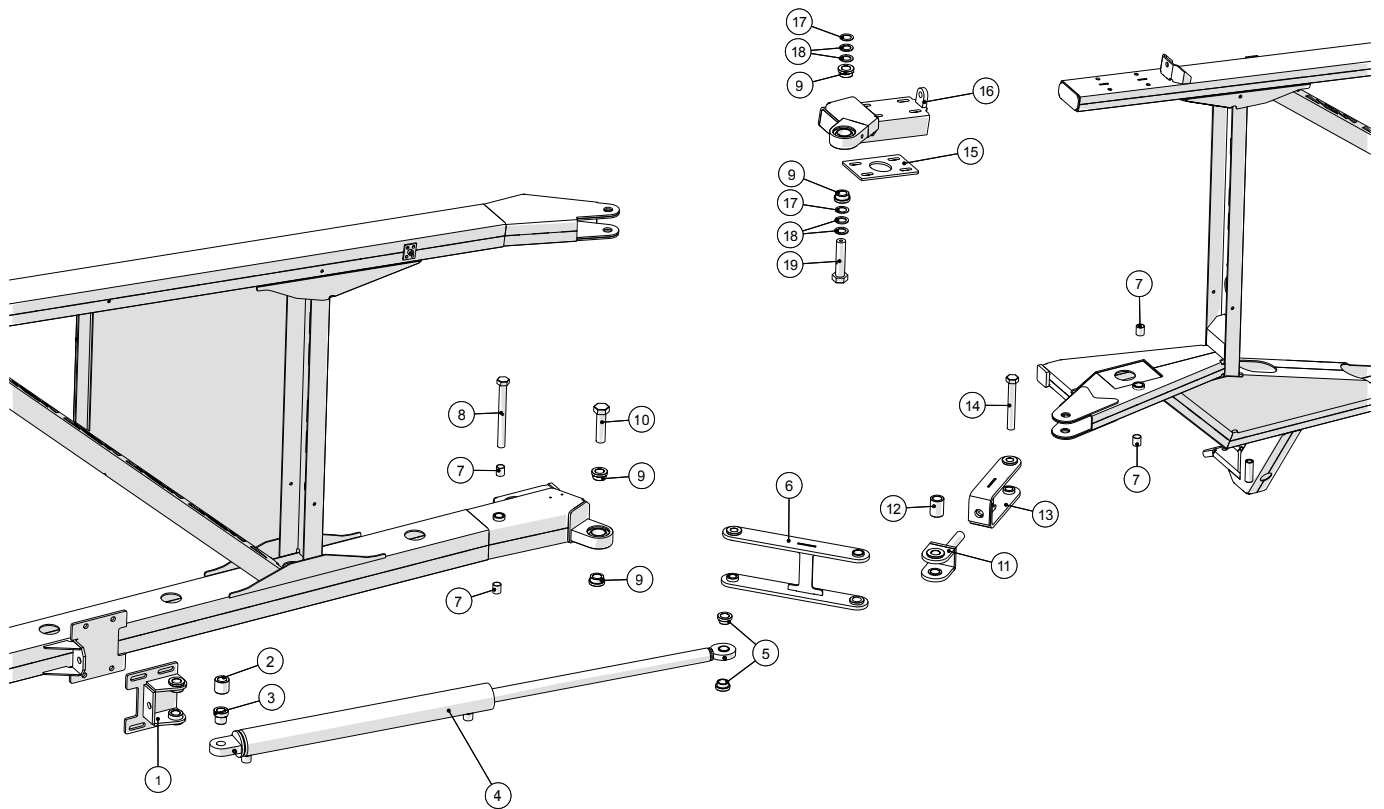
9

Inner - left

Pos. no.	Item no.	Pcs.	Description	Note
1	251476801678	1	Left inner dribble bar	
2	251476802052	2	Hydraulic pipe for distributor	
3	51000122-01	6	Pipe clamp - double 22mm	
4	51000122-03	3	Cover plate - double 22mm	
5	251476802068	1	Backplate for bracket for supply hose	
6	251476802066	1	Bracket for supply hose to left distributor	
7	251476802258	1	30° coupling for distributor	
8	251476704710	1	Sleeve for hose connection	4" hose
	251476802387	1	Sleeve for hose connection	5" hose
9	251476704670	1	Elbow for transducer	
10	251476801837	1	Hose bracket for 28 hoses	
11	251476804053	1	Hose bracket for 25 hoses	
12	251476804054	1	Hose bracket for 24 hoses	
13	251476804056	1	Hose bracket for 22 hoses	
14	251476805095	1	Backplate for hose bracket 22 hoses	
15	251476801995	1	Spacer for hose bracket	
16	251476801864	1	Hose bracket	
17	2514801580	1	Bracket for lights	
18	251476641180	1	Locking rod	
19	251476801579	1	Vibration absorber 25x15 M8	
20	251476801858	1	Hose bracket for 12 hoses	
21	251476801865	1	Hose bracket for 10 hoses	
22	251476801833	1	Hose bracket for 8 hoses	
23	251476801856	1	Hose bracket for 6 hoses	
24	251476801860	1	Hose bracket for 5 hoses	
25	251476802081	1	Bracket	
26	251476802082	1	Spacer	
27	16200734	1	Hose clamp 113-121mm	
28	251476801575	21	Pipe for hose duct	
29	251476802131	1	Angle hose bracket	
30	251476801784	1	Hydraulic pipe 1	
31	251476801785	1	Hydraulic pipe 2	
32		1		
33	251476801886	1	Hydraulic pipe	
34	251476801790	1	Hydraulic pipe	
35	51000112-01	14	Pipe clamp - double 12mm	
36	51000112-03	7	Cover plate - double 12mm	



Swivel joint inner/middle - left

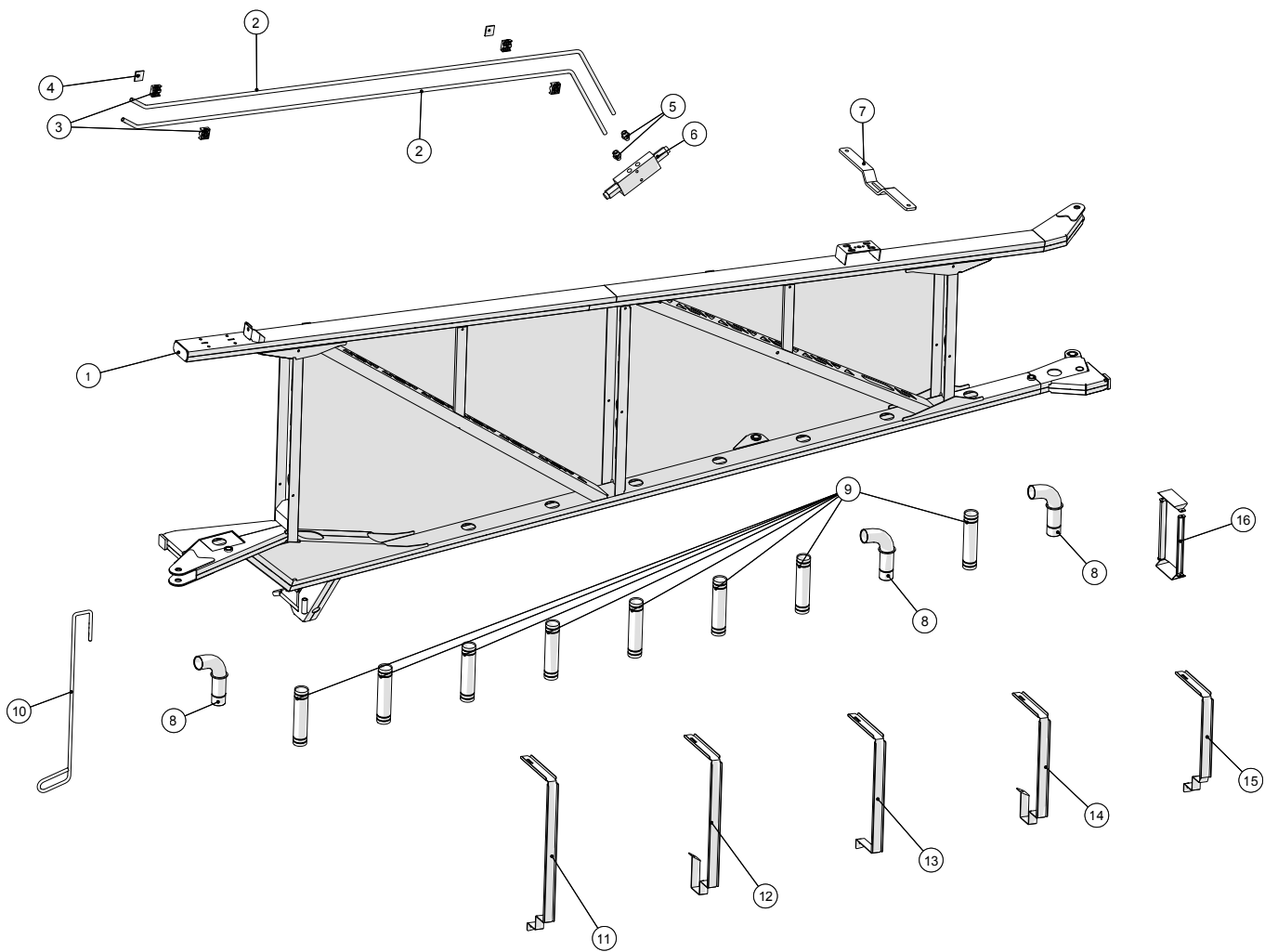


Dribble bar 30m Model year 2014 -	Date: 12/5-2016
	10

Swivel joint inner/middle - left				
Pos. no.	Item no.	Pcs.	Description	Note
1	251476804012	1	Mounting plate for cylinder	
2	251476802283	1	Bushing for larger cylinder	
3	251476802273	1	Bushing for cylinder	
4	2514853013-02	1	Cylinder	
	2514853014	1	Seal kits for cylinder	
5	251476802272	2	Bushing for fork end	
6	251476801766	1	Arm	
7	251476801586	4	Slide bush	
8	251476801806	1	Bolt w/grease hole M16x160	
9	251476801813	4	Bush	
10	251476802144	1	Bolt w/grease hole	
11	251476802267	1	Fork end for cylinder arm	
12	251476801764	1	Spacer bracket	
13	251476801754	1	Cylinder arm	
14	251476801805	1	Bolt w/grease hole M16x120	
15	251476801674	1	Clamping plate for adjustable joint	
16	251476801676	1	Adjustable joint	
17	251476801815	2	Washer 1mm	
18	251476801814	4	Washer 2mm	
19	251476802145	1	Bolt w/grease hole	



Middle - left

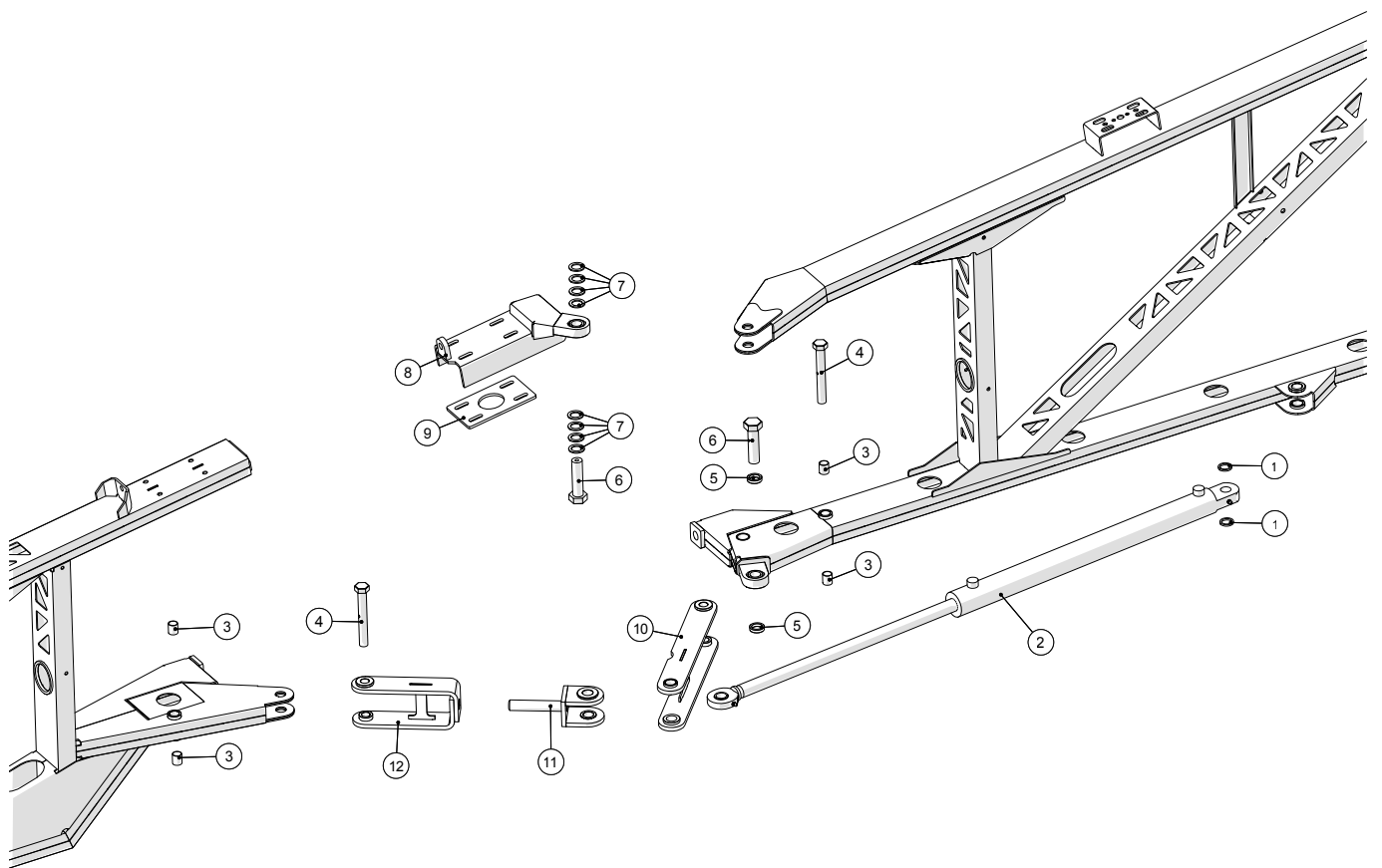


Dribble bar 30m Model year 2014 -	Date: 12/5-2016
	11

Middle - left				
Pos. no.	Item no.	Pcs.	Description	Note
1	251476801677	1	Left middle dribble bar	
2	251476801788	2	Hydraulic pipe 5	
3	51000112-01	4	Pipe clamp - double 12mm	
4	51000112-03	2	Cover plate - double 12mm	
5	503373063	2	Reduction 1/4" - 12mm	
6	2514702393	1	Control valves 3/8" double	
7	251476802065	1	Bracket for lights	
8	251476802131	3	Angle hose bracket	
9	251476801575	8	Pipe for hose duct	
10	251476641180	1	Locking rod	
11	251476804064	1	Hose bracket for 19 hoses	
12	251476804066	1	Hose bracket for 17 hoses	
13	251476804068	1	Hose bracket for 14 hoses	
14	251476804070	1	Hose bracket for 13 hoses	
15	251476804072	1	Hose bracket for 11 hoses	
16	251476801863	1	Hose bracket	
	251476801862	2	Side profile for hose bracket, middle	
	251476801818	2	Top/bottom for hose bracket	



Swivel joint middle/outer - left

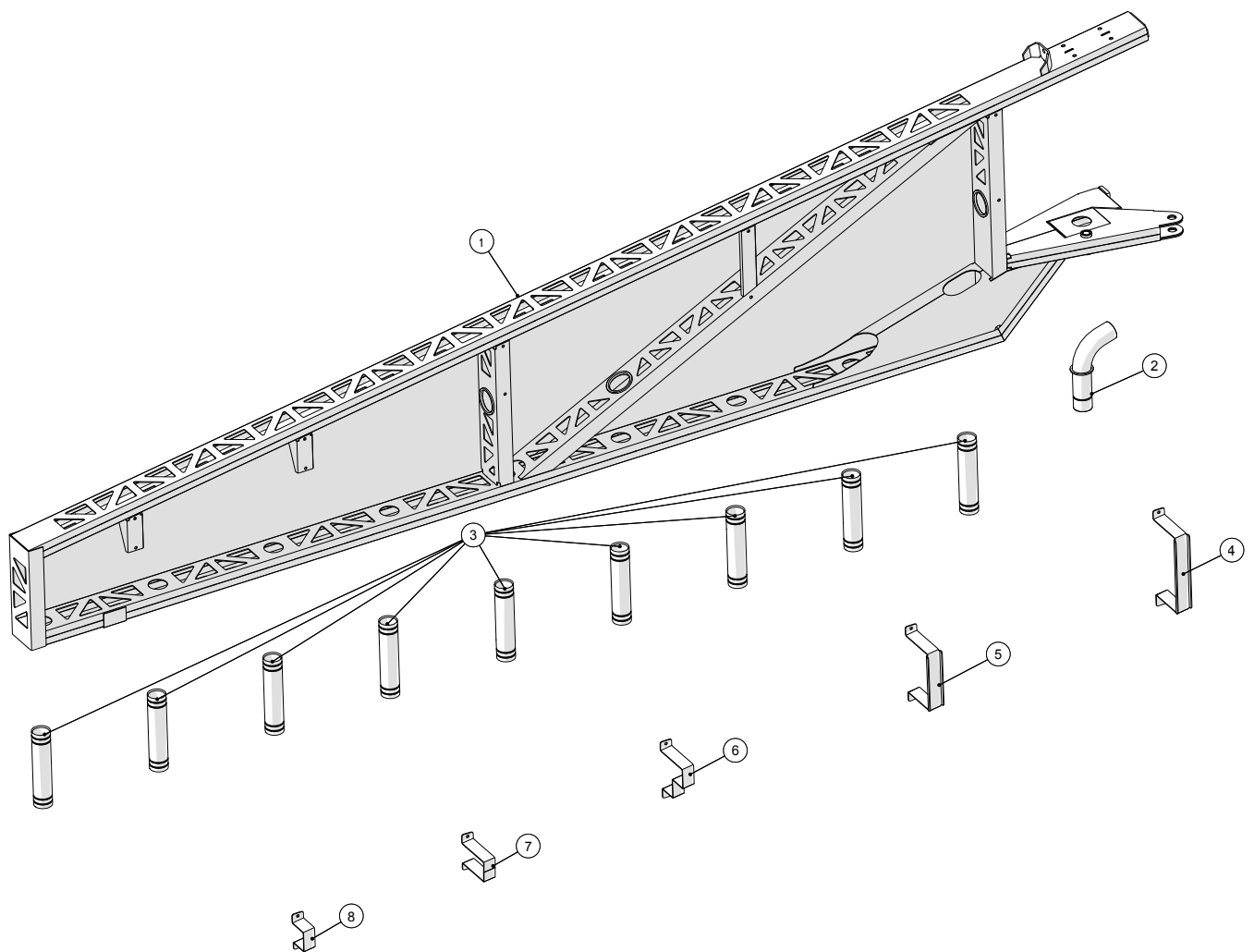


Dribble bar 30m Model year 2014 -	Date: 12/5-2016
	12

Swivle joint middle/outer - left				
Pos. no.	Item no.	Pcs.	Description	Note
1	251476801779	2	Washer for cylinder	
2	2514853010-01	1	Cylinder	
	2514853011	1	Seal kits for cylinder	
3	251476801586	4	Slide bush	
4	251476801805	2	Bolt w/grease hole M16x120	
5	251476801816	2	Spacer	
6	251476802144	2	Bolt w/grease hole	
7	251476801814	8	Washer 2mm	
8	251476801731	1	Adjustable joint	
9	251476801674	1	Clamping plate for adjustable joint	
10	251476801776	1	Arm	
11	251476802267	1	Bracket for cylinder arm	
12	251476801754	1	Cylinder arm	



Outer - left

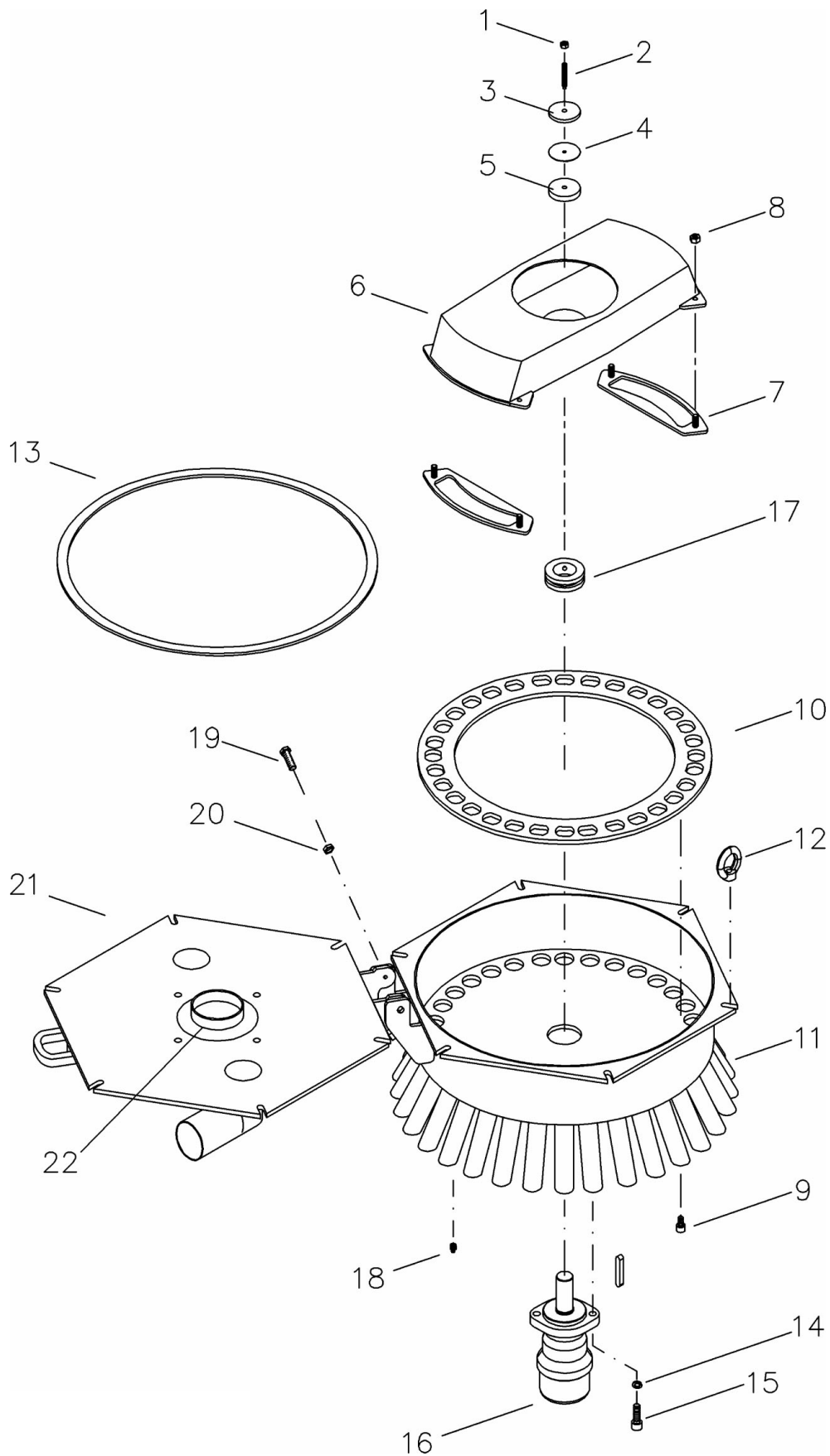


Dribble bar 30m Model year 2014 -	Date: 12/5-2016
	13

Outer - left				
Pos. no.	Item no.	Pcs.	Description	Note
1	251476801723	1	Left outer dribble bar	
2	251476802131	1	Angle hose bracket	
3	251476801575	9	Pipe for hose duct	
4	251476801833	1	Hose bracket for 8 hoses	
5	251476801856	1	Hose bracket for 6 hoses	
6	251476801835	1	Hose bracket for 3 hoses	
7	251476801872	1	Hose bracket for 2 hoses	
8	251476801870	1	Hose bracket for 1 hoses	



Distributor - Vogelsang DOSIMAT LV48 DN40

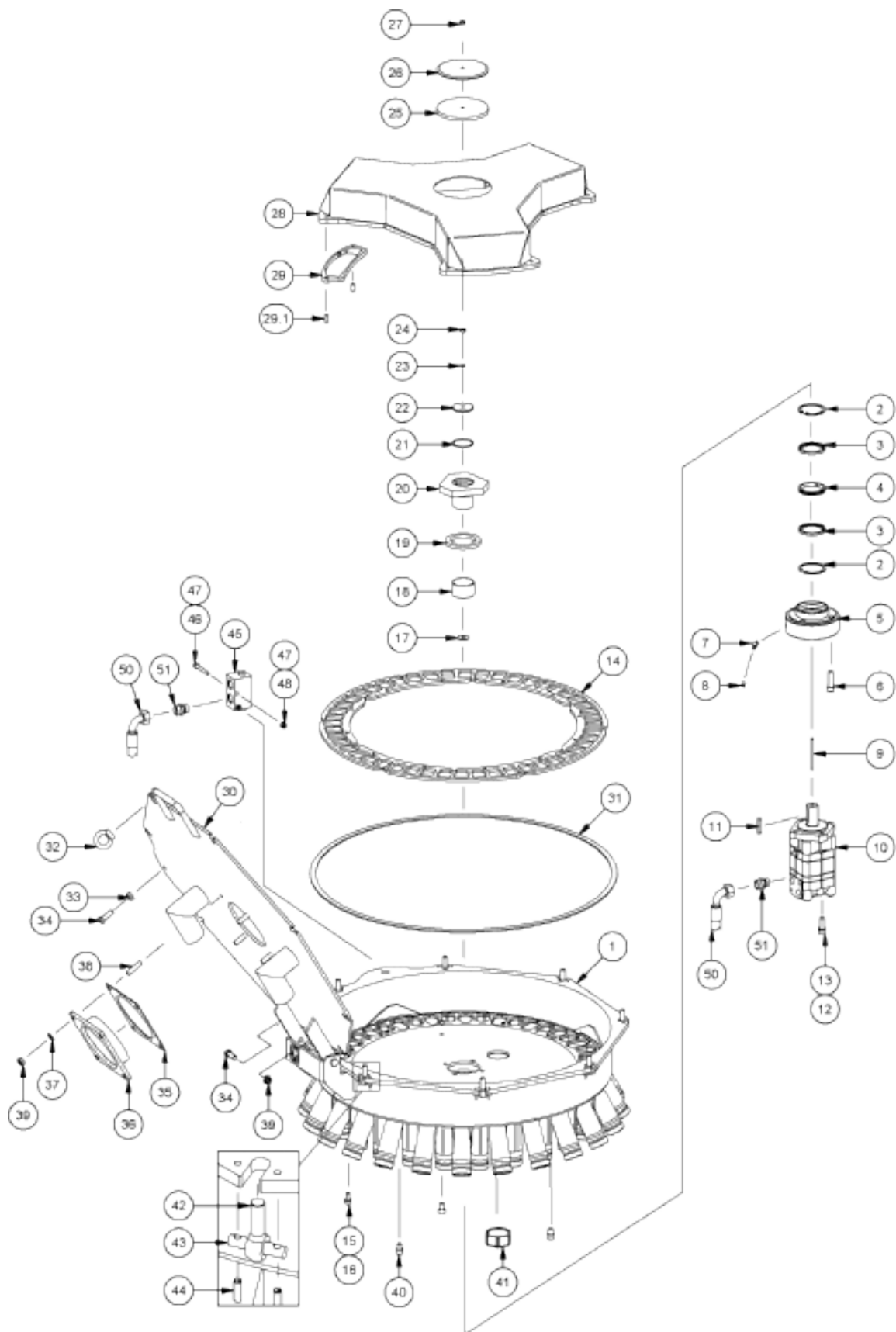


Dribble bar 30m Model year 2014 -	Date: 12/5-2016
	14

Distributor - Vogelsang DOSIMAT LV48 DN40				
Pos. no.	Item no.	Pcs.	Description	Note
1		1	Hex. nut M8 V2A, self-locking	
2	25130700	1	Set screw M8x60 V2A	
3	2119NUS001	1	Pretension disk	
4	2119DFD044	1	Rubber disk t=1	
5	2119TGD004	1	Rubber disk t=10	
6	2119TRO007N2	1	Rotor straight (NW)	30m dribble bar 4" hose
6	2119TRO015N3T2	1	Rotor straight (NW)	30m dribble bar 5" hose
7	21190105-01	2	Knife, complete (NW)	30m dribble bar
8		4	Hex. nut M10 (included in Pos. no. 7)	
9		8	Cap screw M10x16	
10	2119TFL017	1	Cutting ring	30m dribble bar
11	2119TGE007N2	1	Housing	30m dribble bar
12	25130770	8	Lifting-eye nut M12	
13	2119DFD021	2,6m	Gasket (yard goods)	30m dribble bar
14		2	Washer M12	
15		2	Hex. head cap screw M12x35	
16	13631510243	1	Hydraulic motor OMR100 Ø32	
17	2119DFD083	1	Gasket	
18	2119NKS001	1	Grease nipple	
19		2	Hex. head cap screw M12x35	
20		2	Hex. nut M12, self-locking	
21	2119TDE007N1	1	Cover	30m dribble bar
22	2119GSA128	1	Connection DN100	4" hose
	2119GSA129		Connection DN150	5" hose
	2119DFD018	1	Gasket	
		4	Stud M12x35 DIN938	
		4	Hex. nut M12, self-locking	



Distributor - Vogelsang DOSIMAT LVX800 48 DN40



Dribble bar 30m
Model year 2014 -

Date: 12/5-2016

15

Distributor - Vogelsang DOSIMAT LVX800 48 DN40

Pos. no.	Item no.	Pcs.	Description	Note
1	TGE0017	1	Housing	
2	NSR.025	2	Retaining ring 72x2.5 DIN 472	
3	DWD.050	2	Lip seal 60x72x7	
4	GRS0164	1	Distance sleeve	
5	TRS0032	1	Adaptor for hydraulic motor	
6	NSI0067	4	Hex socket head screw M12x45 DIN 912	
7	NKS.003	1	Grease nipple 10x1, 45°	
8	BKA.001	1	Grease nipple cap	
9	NGS0031	1	Hex socket set screw M8x90 DIN 913	
10	AOM.018	1	Hydraulic motor Ø 32mm	
	DDS.003	(1)	Packet seal for hydraulic motor NBR	Contained in AOM.018
11	NPF.053	(1)	Key A; 10x8x45	Contained in AOM.018
12	NUS0013	4	Lock washer M12	
13	NSI0065	4	Hex socket head screw M12x35 DIN 912	
14	TFL0077	1	Cutting ring LVX48-40	
15	NSI.015	12	Cutting ring M10x20 DIN 912	
16	NUS.004	12	Hex socket head screw A; 10.5x20x2 DIN 125	
17	NUS.067		Shim A; 10x31x0.2 DIN 522	Option
18	NIR.023	1	Inner ring JR 55x60x35	
19	DFD0090	1	Ring gasket, foam PU Impregnated with grease	
20	GRS0167	1	Adaptor for rotor	
21	DOR.056	1	O-ring 50x2	
22	GRS0166	1	Pressure washer	
23	DKR.009	1	Sealing ring A; 8x14x1; Cu	
24	NMS.002.E	1	Hex nut M8	
25	TGD0001	1	Rubber disc t = 10mm	
	TGD0002	1	Rubber disc t = 2mm	
26	GRS0185	1	Preload disc	
27	NMK.004.E	1	Hex nut M8	
28	TRO0204	1	Rotor Extra Wide (EW)	
29	TMS0043	2	Blade complete	
29.1	NSP0015	4	Dowel pin 10 x 20 ISO 8752	
30	TDE0020	1	Cover Ø 800	
31	TFD0001	2680mm	Asbestos-free gasket 15x4	
	BKL0004	x	Adhesive Weikon	
32	NMK.009	8	Eye nut M12 DIN 582	
33	NMS.004	1	Hex nut M12 DIN 934	
34	NSK.030	3	Hex head screw M12x40 DIN 933	
35	DFD.018	1	Asbestos-free gasket 6"	
36	GSA0094	1	Connecting piece DN 150	
37	NUS.005	4	Washer A; 13x24x2.5 DIN 125	
38	NGS.085	4	Stud M12x35 DIN 938	
39	NMK.002	6	Hex nut M12 DIN 985	

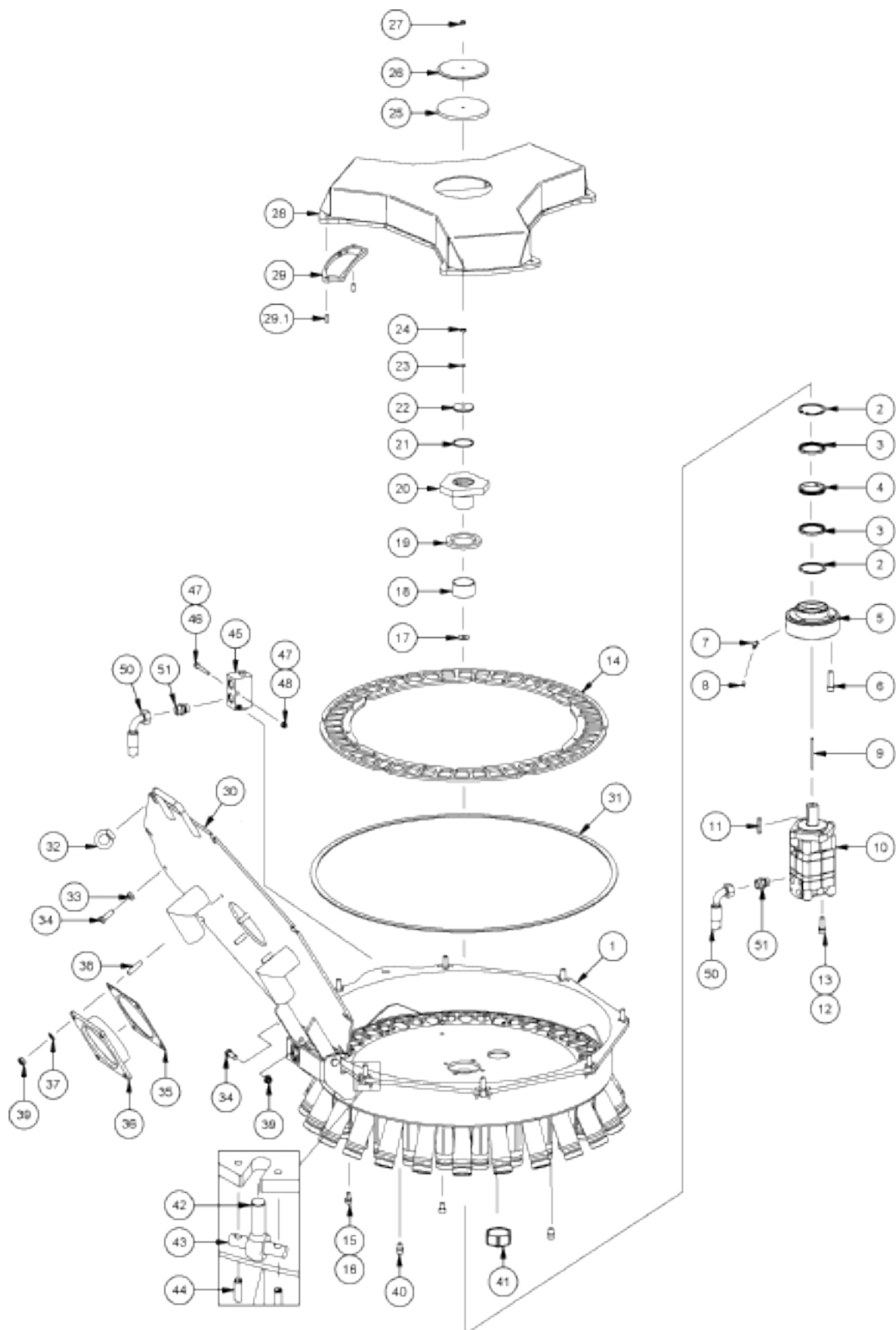


Date: 12/5-2016

15-1

Dribble bar 30m
Model year 2014 -

Distributor - Vogelsang DOSIMAT LVX800 48 DN40

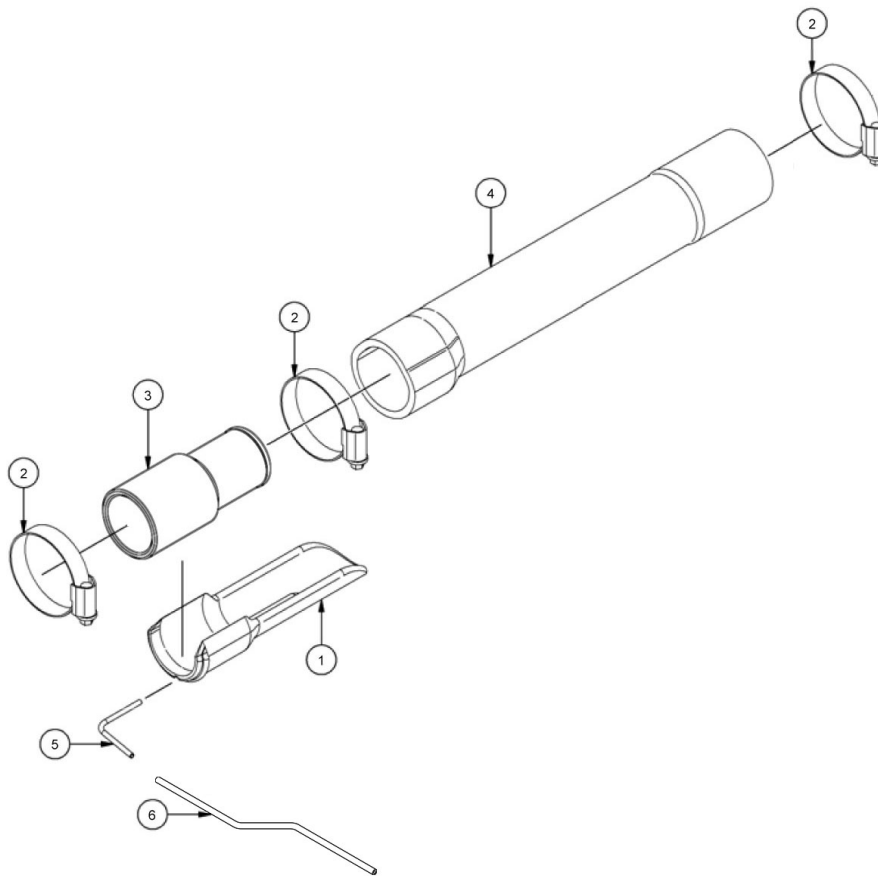


Dribble bar 30m Model year 2014 -	Date: 12/5-2016
	15-1

Distributor - Vogelsang DOSIMAT LVX800 48 DN40				
Pos. no.	Item no.	Pcs.	Description	Note
40	NSI.014	3	Hex socket head screw M12x16 DIN 912	
41	NVE.042	1	Blind cap 2"	
42	NSH.004	8	Augenschraube B; M12x45 DIN 444	
43	GRS0173	8	Traghalter	
44	NSP0006	16	Spannstift 6x20 ISO 13337	
45	AHV0017	1	lifting limit stop	
46	NSK.060	2	Hex head screw M8x65 DIN 931	
47	NUS.003	4	Washer A; 8.4x16x1.6 DIN 125	
48	NMK.004	2	Hex nut M8 DIN 985	
50	THZ0005	1	Hydraulic hose 2SN DN16x1000 DKL/DKL	
51	NGE.010	2	Male end fitting 18L R ½"	



Flow control

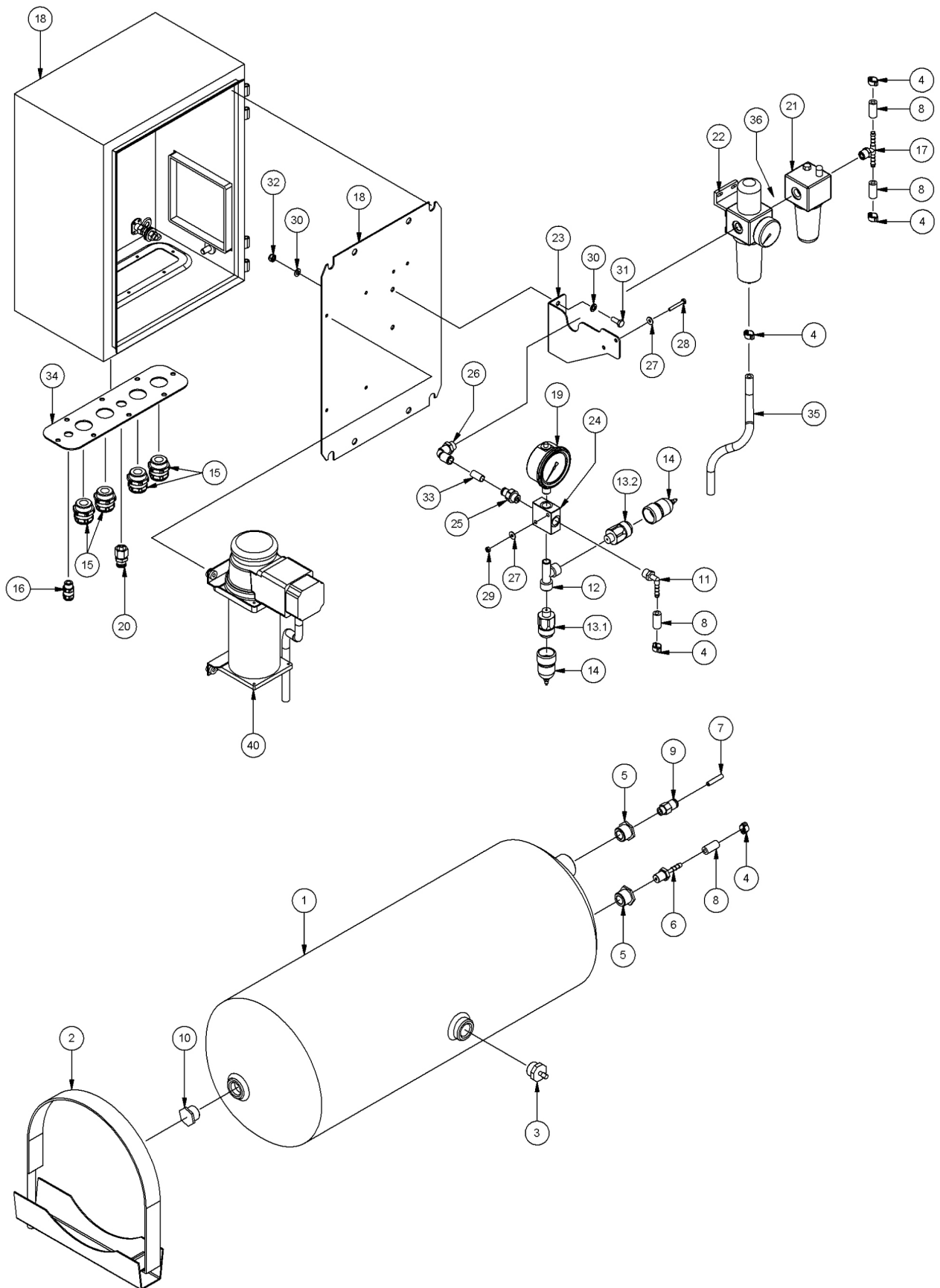


Dribble bar 30m Model year 2014 -	Date: 12/5-2016
	16

Flow control				
Pos. no.	Item no.	Pcs.	Description	Note
1	2119KFC001TR	1	CFC hose switch off, right	
1	2119KFC001TL	1	CFC hose switch off, left	
2	16200672	3	Hose clamp 38-50mm	
3	251476802188	1	Connector for hose switch off	
4	2119TSC005	1	Hose DN40/DN40	
5	2119HRS227	1	CFC filling tube, exterior diameter 3mm	
6	2119HFC073	1	Hose, blue for flow control	



Flow control - Pneumatic unit



Dribble bar 30m
Model year 2014 -

Date: 12/5-2016

17

Flow control - Pneumatic unit

Pos. no.	Item no.	Pcs.	Description	Note
1	APV.012	1	Air Tank 30L	
2	APV.014	2	Hose Clamp	
3	APV.015	1	drain Valve	
4	NSS.071	5	Hose clamp	
5	NGE.324	2	Reducer M22x1,5→R1/4"	
6	NGE.327	1	Screw spout G1/4" Straight	
7	HSC.078	2	Pneumatic hose Ø6mm polyurethane	
8	HSC.077	4	Air hose DN6x3	
9	NGE.325	1	Fitting G1 / 4 "check valve function	
10	NGE.329	1	Plug M22x1, 5	
11	NGE.338	1	Elbow Threaded nozzle G1/4" polyamide	
12	NGE.339	1	L- piece G1/4" Tapered	
13.1	SDS.041	1	Pressure switch 1-10 bar	opener set to 6.5 bar
13.2	SDS.041	1	Pressure switch 1-10 bar	opener set to 4 bar
14	SDS.030	2	Protective cap	
15	NGE.331	4	Cable gland M25x1.5 polyamide	
16	NGE.333	1	Cable gland M12x1.5 polyamide	
17	NGE.323	1	T Threaded nozzle G1/4"	
18	ESK.001	1	Cabinet AE 1034	
19	SMD.002	1	Pressure gauge 0-10 bar	
20	NGE.337	1	Fitting straight	
21	APV.023	1	Lubricator ¼ "	
22	APV.013	1	Filter regulator - Manometer	Set to 1.5 bar
23	TFL.940	1	Retaining plate	
24	NGE.349	1	Cross piece G1 / 4 "female	
25	NGE.335	1	Fitting G1/4" Straight	
26	NGE.509	1	Fitting G1/4" elbow	
27	NUS.086	4	Washer 4,3x1x12 DIN9021	
28	NSK.186	2	Bolt M4x30 DIN931	
29	NMS.025	2	Nut M4 DIN934-8	
30	NUS.002	4	Washer B 6,4x12x1,6 DIN125	
31	NSK.178	2	Hex bolt M6x16 DIN933	
32	NMK.003	2	Lock nut M6 DIN985-8	
33	HSC.080	1	Pneumatic hose Ø10mm outer	
34	RFL.1448	1	Plate	
35	HSC.077	1	Air hose DN6x3	
36	APV.025	1	Clutch Kit Pneumatic	
40	APV.019	1	Compressor 450 C 24 V; 14 A	
	NGE.370	(1)	Hose	(included in the compressor)

