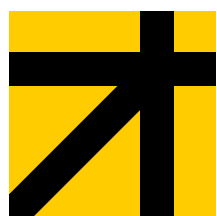


# Self-propelled Slurry Distributor

**Spare Parts for  
Dribble bar 24m  
Model year 2007 - 2010**



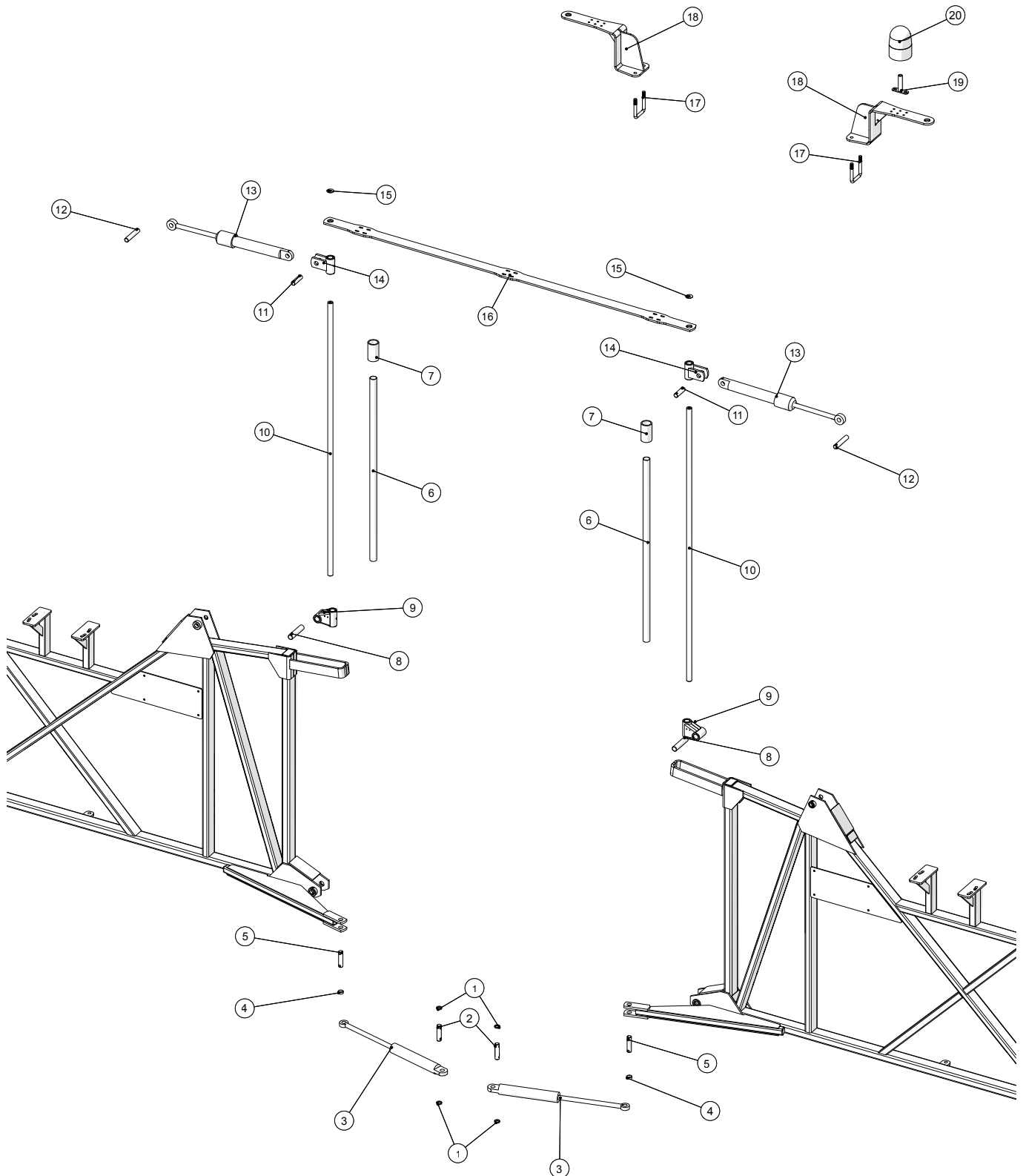


<b>Dribble bar 24m</b> Model year 2007 - 2010	Date: 18/6-2015
	2

**Table of Contents**

Dribble bar 24m, fastening.....	3
Dribble bar 24m, swivel joint inner/middle - right.....	4
Dribble bar 24m, swivel joint inner/middle - left.....	5
Dribble bar 24m, swivel joint middle/outer - right.....	6
Dribble bar 24m, swivel joint middle/outer - left.....	7
Dribble bar 24m, inner - right.....	8
Dribble bar 24m, middle - right.....	9
Dribble bar 24m, outer - right.....	10
Dribble bar 24m, inner - left.....	11
Dribble bar 24m, middle - left.....	12
Dribble bar 24m, outer - left.....	13
Distributor - DOSIMAT.....	14
Flow control.....	15
Flow control - Pneumatic unit.....	16

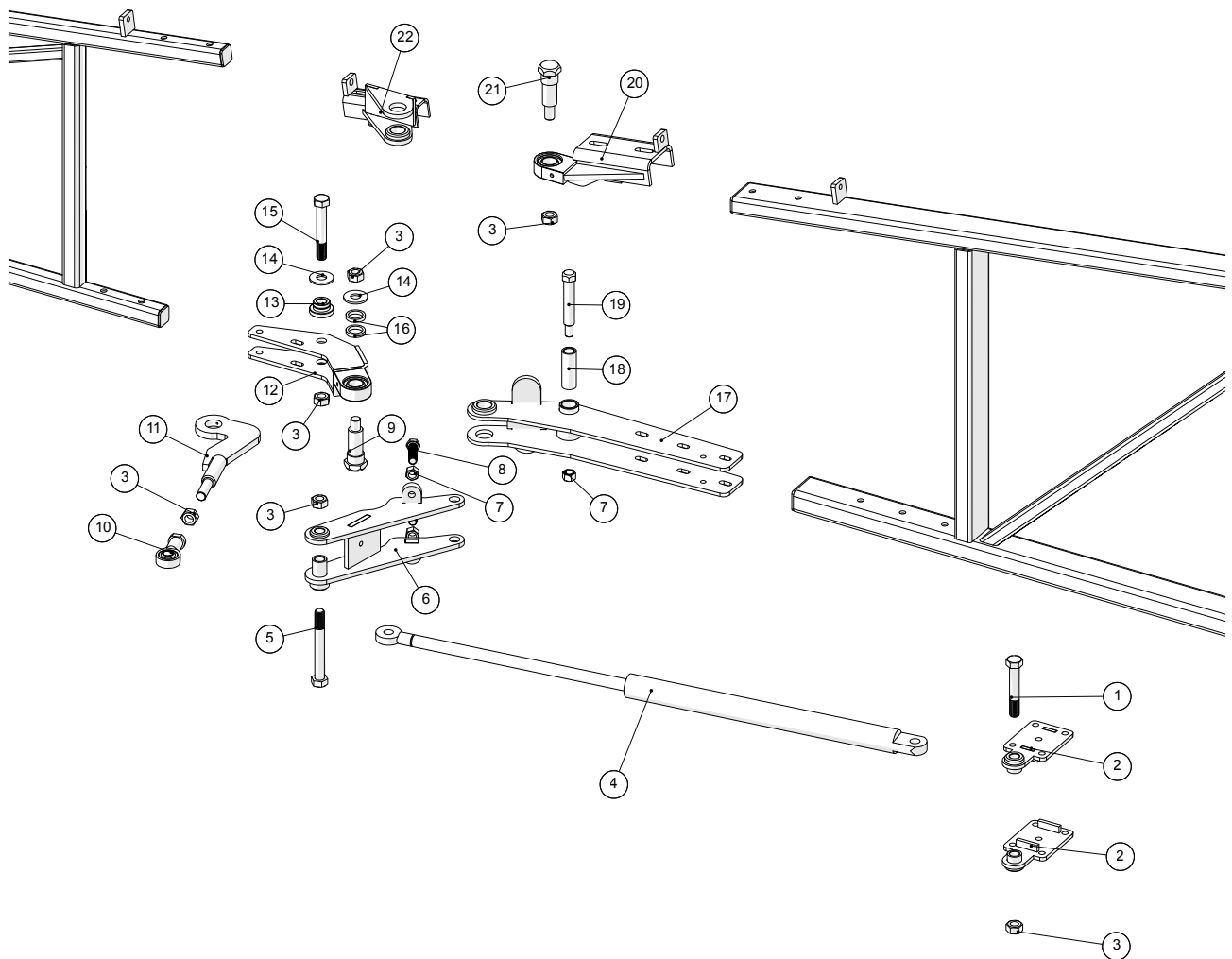
**Dribble bar 24m, fastening**



<b>Dribble bar 24m</b> Model year 2007 - 2010	Date: 18/6-2015
	3

<b>Dribble bar 24m, fastening</b>				
Pos. no.	Item no.	Pcs.	Description	Note
1	251476801232	4	Spacer	
2	251476707290	2	Pin for lower cylinder	
3	2514850099	2	Cylinder	
	25110133	2	Seal kit for cylinder	
4	251476635171	2	Bush	
5	251476634340	2	Pin	
6	2514850106	2	Pipe	
7	251476633700	2	Bush	
8	251476634330	2	Pin	
9	251476636190	2	Bearing bush	
10	251476642470	2	Shaft for dribble bar - frame	
11	251476634310	2	Pin	
12	251476634300	2	Pin	
13	2514850103	2	Cylinder	
	2514850103-01	2	Seal kit for cylinder	
14	251476636200	2	Cylinder bracket	
15	251476444780	2	Washer	
16	2514766324801	1	Bracket for frame	
17	251476699930	2	U-clamp for 80x80 profile	
18	251476701050	2	Bracket for dribble bar	
19	25148610581	1	Bracket	
20	25148501071	1	Rotating Beacon	

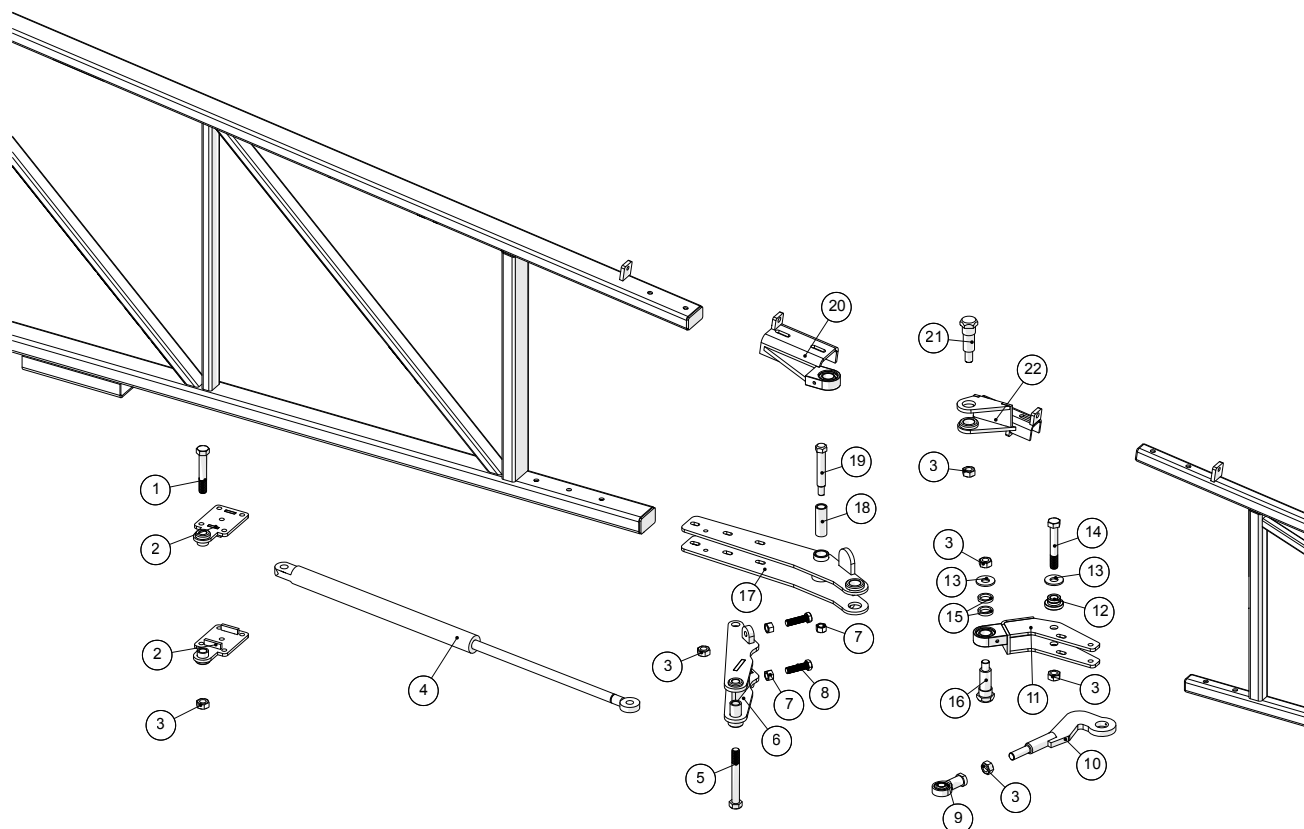
**Dribble bar 24m, swivel joint inner/middle - right**



<b>Dribble bar 24m</b> Model year 2007 - 2010	Date: 18/6-2015
	4

<b>Dribble bar 24m, swivel joint inner/middle - right</b>				
Pos. no.	Item no.	Pcs.	Description	Note
1		1	Steel bolt M20x120	
2	251476801030	2	Cylinderbracket	
3		6	Lock nut M20	
4	2514853010-02	1	Cylinder	
5		1	Steel bolt M20x160	
6	251476801000	1	Linkage	
7		3	Lock nut M16	
8		2	Steel bolt M16x60	
9	251476800109	1	Ring	
10	19313005	1	Spherical Plain Bearings GIR20DO	
11	251476801012	1	Adjustable spindle	
12	251476801040	1	Lower suspension right	
13	251476801015	1	Bush for linkage	
14	251476801025	2	Washer	
15		1	Steel bolt M20x130	
16	251476801026	2	Spacer	
17	251476801020	1	Right suspension	
18	251476801010	1	Bearing for swivel joint	
19	251476801011	1	Bolt for swivel joint	
20	251476703760	1	Top swivel joint	
21	2514801215	1	Bolt	
22	251476703780	1	Adjustable bracket	

**Dribble bar 24m, swivel joint inner/middle - left**





<b>Dribble bar 24m</b> Model year 2007 - 2010	Date: 18/6-2015
	5

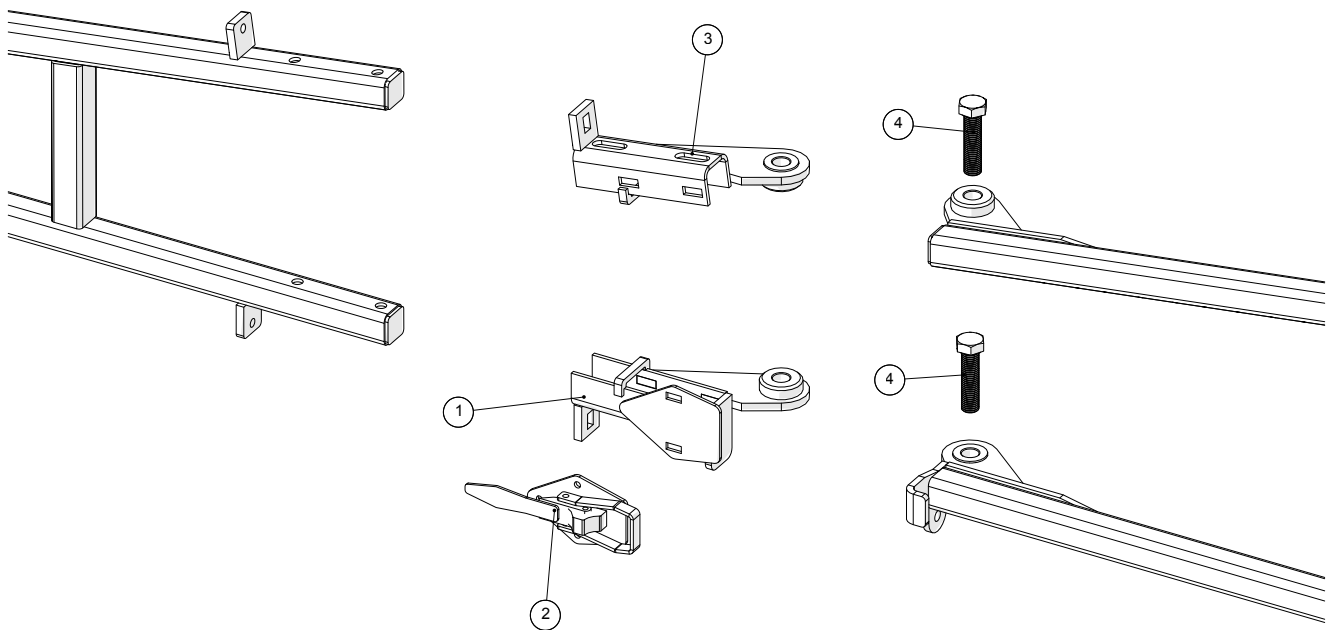
<b>Dribble bar 24m, swivel joint inner/middle - left</b>				
Pos. no.	Item no.	Pcs.	Description	Note
1		1	Steel bolt M20x120	
2	251476801030	2	Cylinderbracket	
3		6	Lock nut M20	
4	2514853010-01	1	Cylinder	
5		1	Steel bolt M20x160	
6	251476801050	1	Linkage	
7		3	Lock nut M16	
8		2	Steel bolt M16x60	
9	19313005	1	Spherical Plain Bearings GIR20DO	
10	251476801012	1	Adjustable spindle	
11	251476801070	1	Left suspension	
12	251476801015	1	Bush for linkage	
13	251476801025	2	Washer	
14		1	Steel bolt M20x130	
15	251476801026	2	Spacer	
16	251476800109	1	Ring	
17	251476801060	1	Left suspension	
18	251476801010	1	Bearing for swivel joint	
19	251476801011	1	Bolt for swivel joint	
20	251476703750	1	Top swivel joint	
21	2514801215	1	Bolt	
22	251476703770	1	Adjustable bracket	

Date:18/6-2015

6

**Dribble bar 24m**  
Model year 2007 - 2010

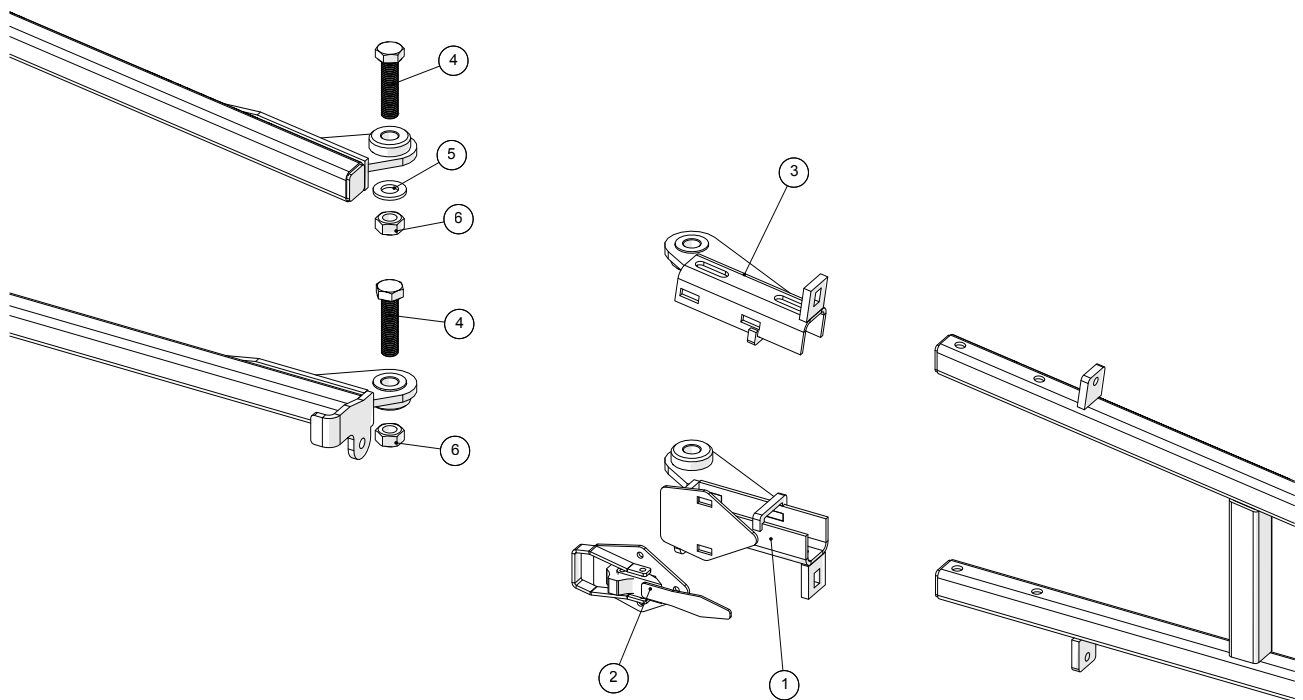
**Dribble bar 24m, swivel joint middle/outer - right**



<b>Dribble bar 24m</b> Model year 2007 - 2010	Date: 18/6-2015
	6

Dribble bar 24m, swivel joint middle/outer - right				
Pos. no.	Item no.	Pcs.	Description	Note
1	251476703820	1	Swivel joint	
2	251415311000	1	Clasp clamp cpl.	
3	251476703800	1	Swivel joint	
4	25141923235	2	Bolt M20x80	

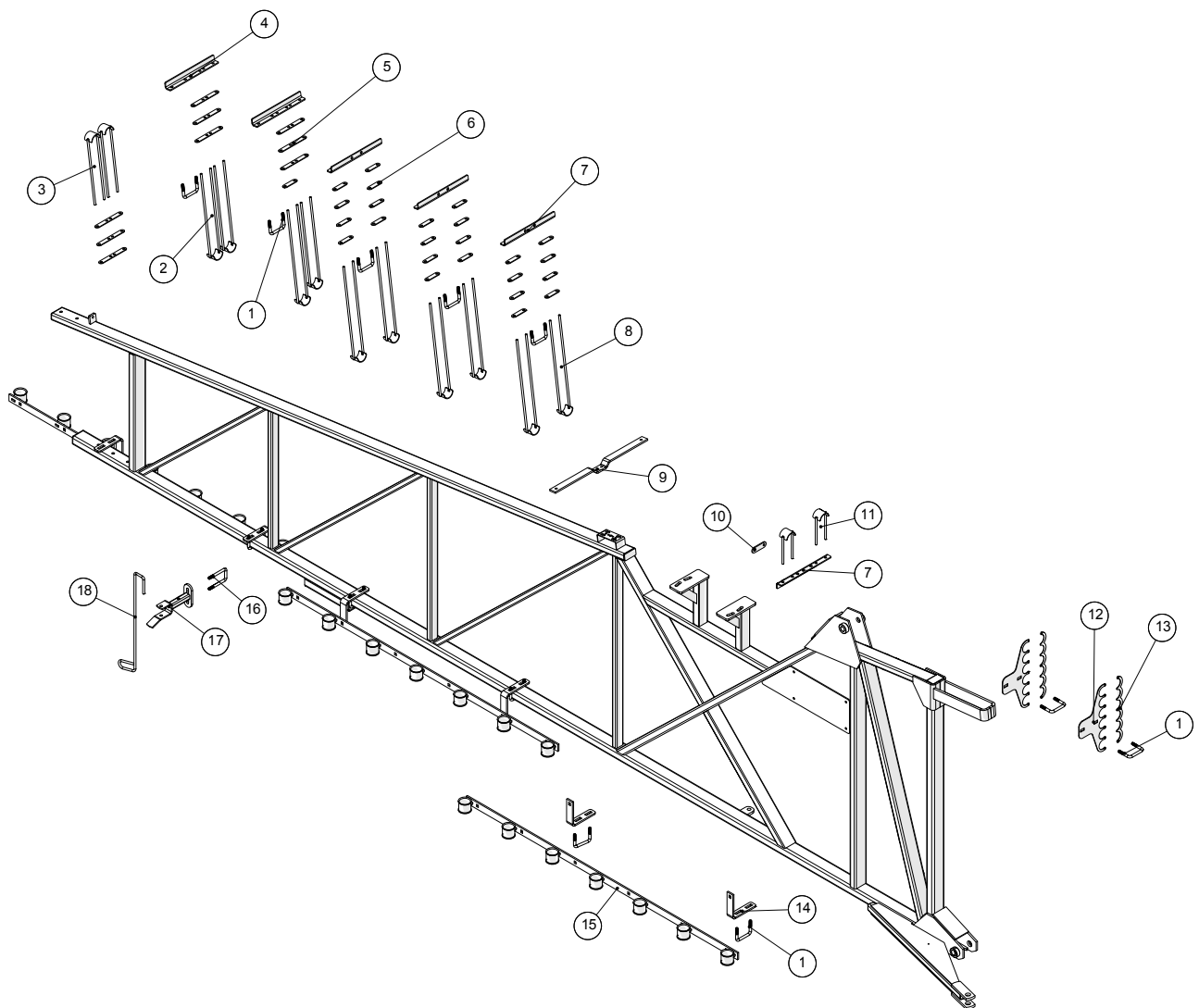
**Dribble bar 24m, swivel joint middle/outer - left**



<b>Dribble bar 24m</b> Model year 2007 - 2010	Date: 18/6-2015
	7

<b>Dribble bar 24m, swivel joint middle/outer - left</b>				
Pos. no.	Item no.	Pcs.	Description	Note
1	251476703810	1	Swivel joint	
2	251415311000	1	Clasp clamp kpl.	
3	251476703790	1	Swivel joint	
4	25141923235	2	Bolt M20x80	
5	25141930930	1	Washer M20 heavy	
6	25141930809	2	Lock nut M20	

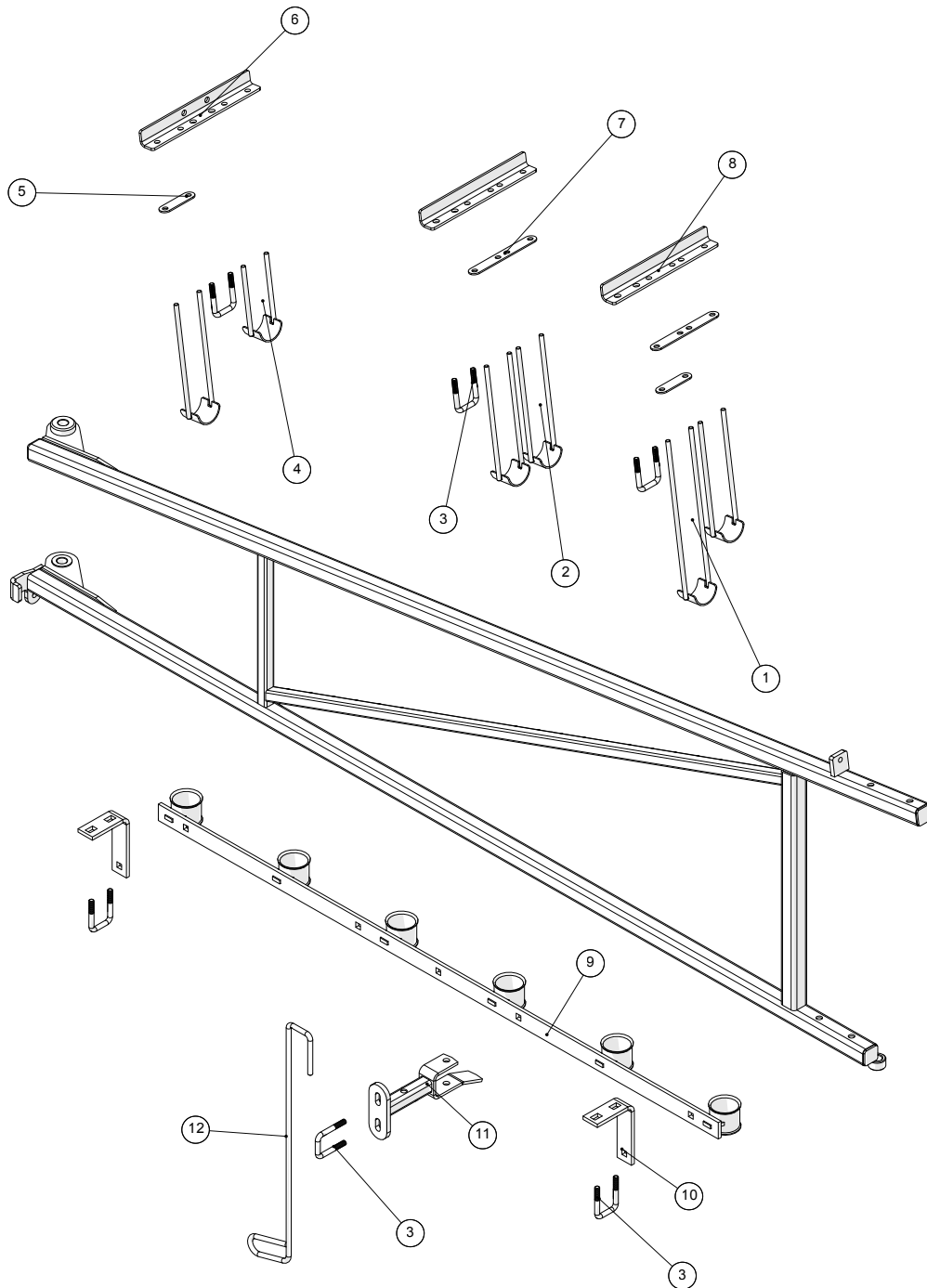
**Dribble bar 24m, inner - right**



<b>Dribble bar 24m</b> Model year 2007 - 2010	Date: 18/6-2015
	8

<b>Dribble bar 24m, inner - right</b>				
Pos. no.	Item no.	Pcs.	Description	Note
1	251476700940	12	U-clamp for 50x80 profile	
2	251481051	3	Hose bracket for 9 hoses	
3	251481052	2	Hose bracket for 7 hoses	
4	251481011	2	Angle bracket	
5	251476704060	9	Middle bracket	
6	251476703880	25	Middle bracket	
7	251481013	4	Angle bracket	
8	251476704840	7	Hose bracket for 11 hoses	
9	2514801580	1	Bracket for lights	
10	251476801116	1	Bracket	
11	251481054	2	Hose clamp for 3 hoses	
12	251476703870	2	Bracket for drag hoses	
13	251476704810	2	Bracket for drag hoses	
14	2514801516	6	Angle bracket	
15	2514801131	3	Hose bracket for 7 hoses	
16	251476691270	1	Clamp	
17	251476691730	1	Bracket	
18	251476641180	1	Locking rod	

**Dribble bar 24m, middle - right**

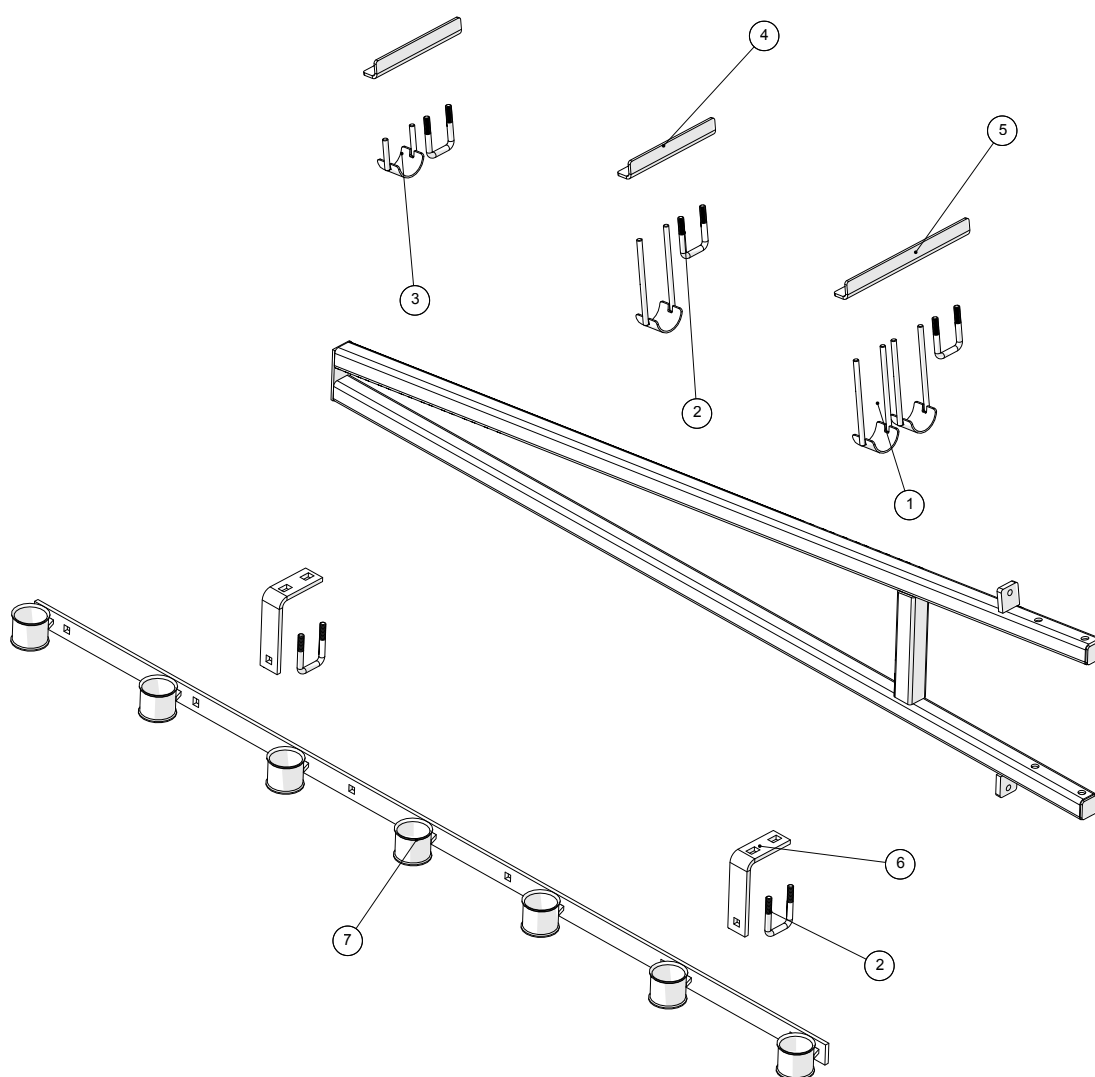




<b>Dribble bar 24m</b> Model year 2007 - 2010	Date: 18/6-2015
	9

<b>Dribble bar 24m, middle - right</b>				
Pos. no.	Item no.	Pcs.	Description	Note
1	251481052	1	Hose bracket for 7 hoses	
2	251481053	4	Hose bracket for 5 hoses	
3	251476646290	6	Clamp	
4	251481054	1	Hose clamp for 3 hoses	
5	251476703880	2	Middle bracket	
6	251481014	1	Angle bracket	
7	251476704060	2	Middle bracket	
8	251481016	2	Angle bracket	
9	2514801130	1	Hose bracket for 6 hoses	
10	2514801515	2	Angle bracket	
11	251476691730	1	Bracket	
12	251476641180	1	Locking rod	

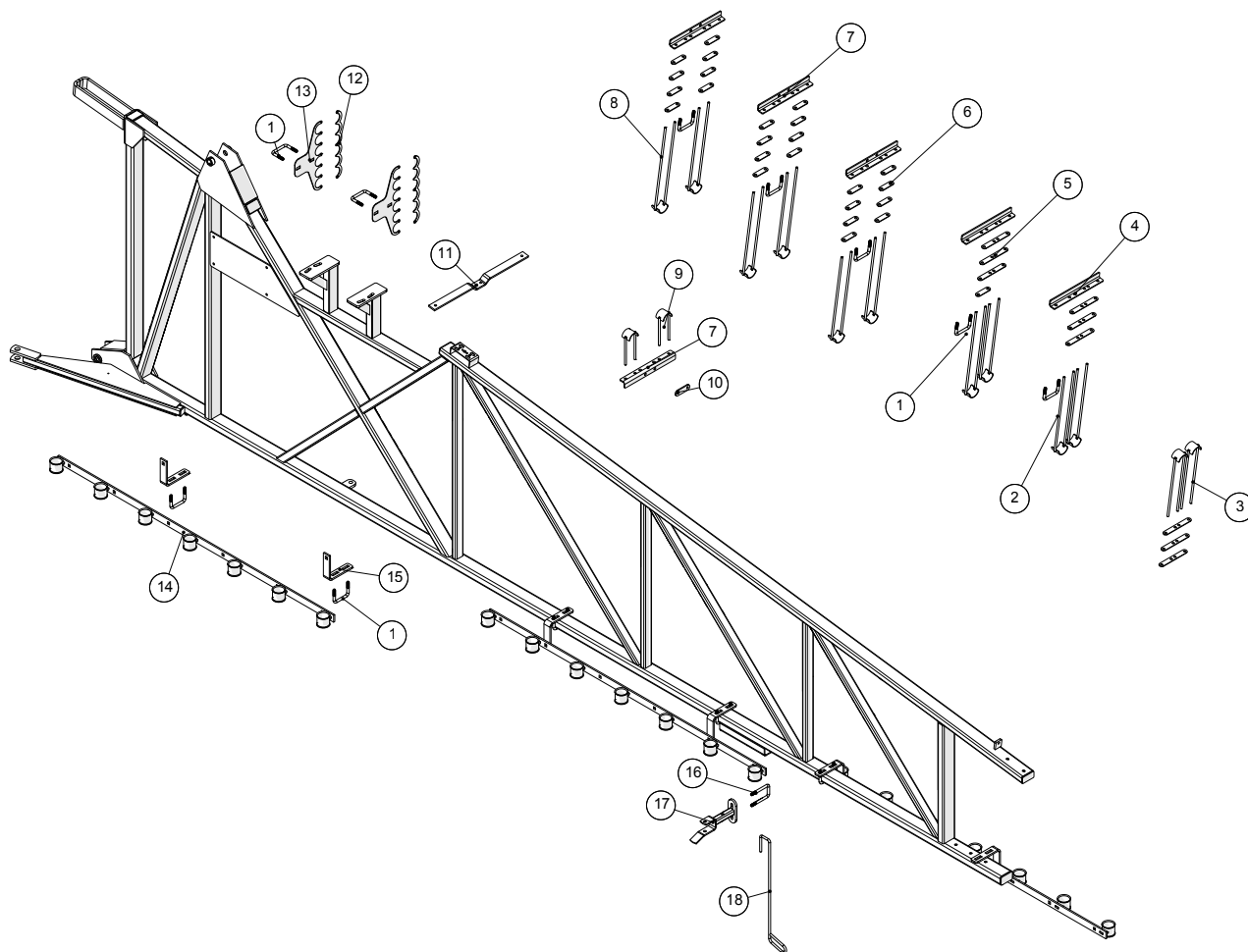
**Dribble bar 24m, outer - right**



<b>Dribble bar 24m</b> Model year 2007 - 2010	Date: 18/6-2015
	10

<b>Dribble bar 24m, outer - right</b>				
Pos. no.	Item no.	Pcs.	Description	Note
1	251481054	3	Hose clamp for 3 hoses	
2	251476646290	5	Clamp	
3	251481055	1	Hose clamp for 1 hose	
4	251481017	2	Angle bracket	
5	251481016	1	Angle bracket	
6	2514801515	2	Angle bracket	
7	2514801131	1	Hose bracket for 7 hoses	

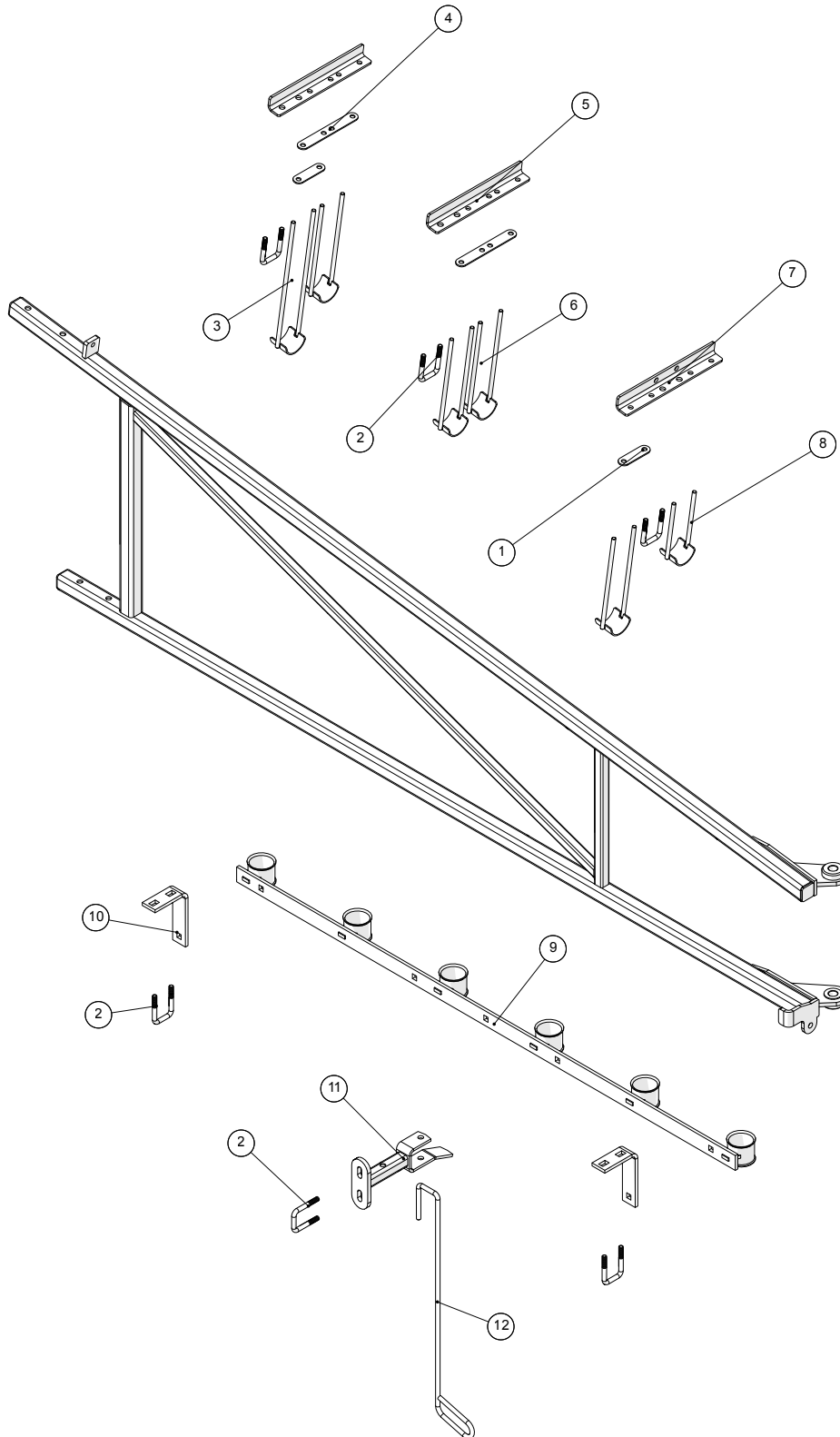
**Dribble bar 24m, inner - left**



<b>Dribble bar 24m</b> Model year 2007 - 2010	Date: 18/6-2015
	11

<b>Dribble bar 24m, inner - left</b>				
Pos. no.	Item no.	Pcs.	Description	Note
1	251476700940	12	U-clamp for 50x80 profile	
2	251481051	3	Hose bracket for 9 hoses	
3	251481052	2	Hose bracket for 7 hoses	
4	251481011	2	Angle bracket	
5	251476704060	9	Middle bracket	
6	251476703880	25	Middle bracket	
7	251481013	4	Angle bracket	
8	251476704840	7	Hose bracket for 11 hoses	
9	251481054	2	Hose clamp for 3 hoses	
10	251476801116	1	Bracket	
11	2514801580	1	Bracket for lights	
12	251476704810	2	Bracket for drag hoses	
13	251476703870	2	Bracket for drag hoses	
14	2514801131	3	Hose bracket for 7 hoses	
15	2514801516	6	Angle bracket	
16	251476691270	1	Clamp	
17	251476691730	1	Bracket	
18	251476641180	1	Locking rod	

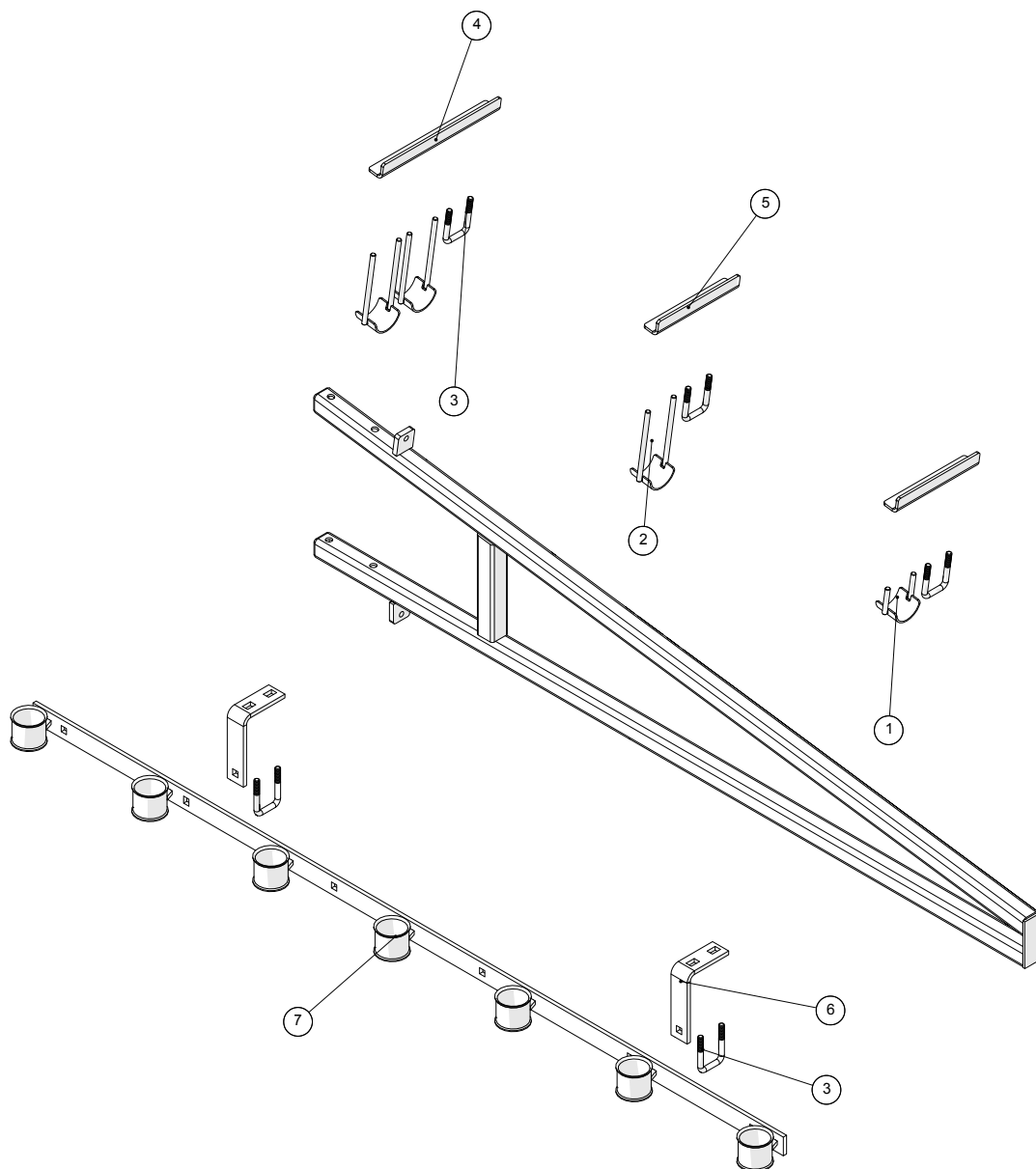
**Dribble bar 24m, middle - left**



<b>Dribble bar 24m</b> Model year 2007 - 2010	Date: 18/6-2015
	12

<b>Dribble bar 24m, middle - left</b>				
Pos. no.	Item no.	Pcs.	Description	Note
1	251476703880	2	Middle bracket	
2	251476646290	6	Clamp	
3	251481052	1	Hose bracket for 7 hoses	
4	251476704060	2	Middle bracket	
5	251481016	2	Angle bracket	
6	251481053	4	Hose bracket for 5 hoses	
7	251481014	1	Angle bracket	
8	251481054	1	Hose clamp for 3 hoses	
9	2514801130	1	Hose bracket for 6 hoses	
10	2514801515	2	Angle bracket	
11	251476691730	1	Bracket	
12	251476641180	1	Locking rod	

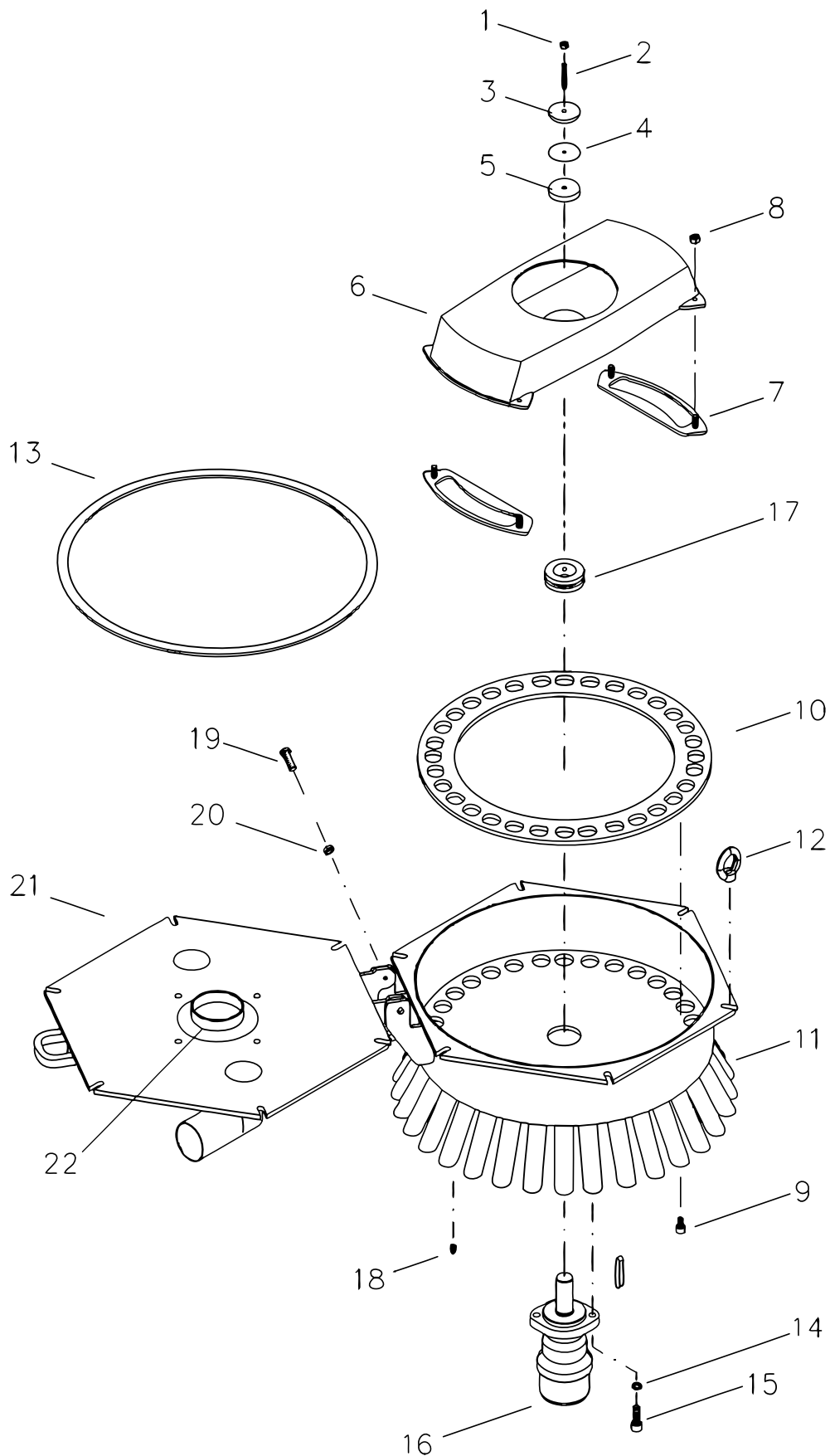
**Dribble bar 24m, outer - left**





<b>Dribble bar 24m</b> Model year 2007 - 2010	Date: 18/6-2015
	13

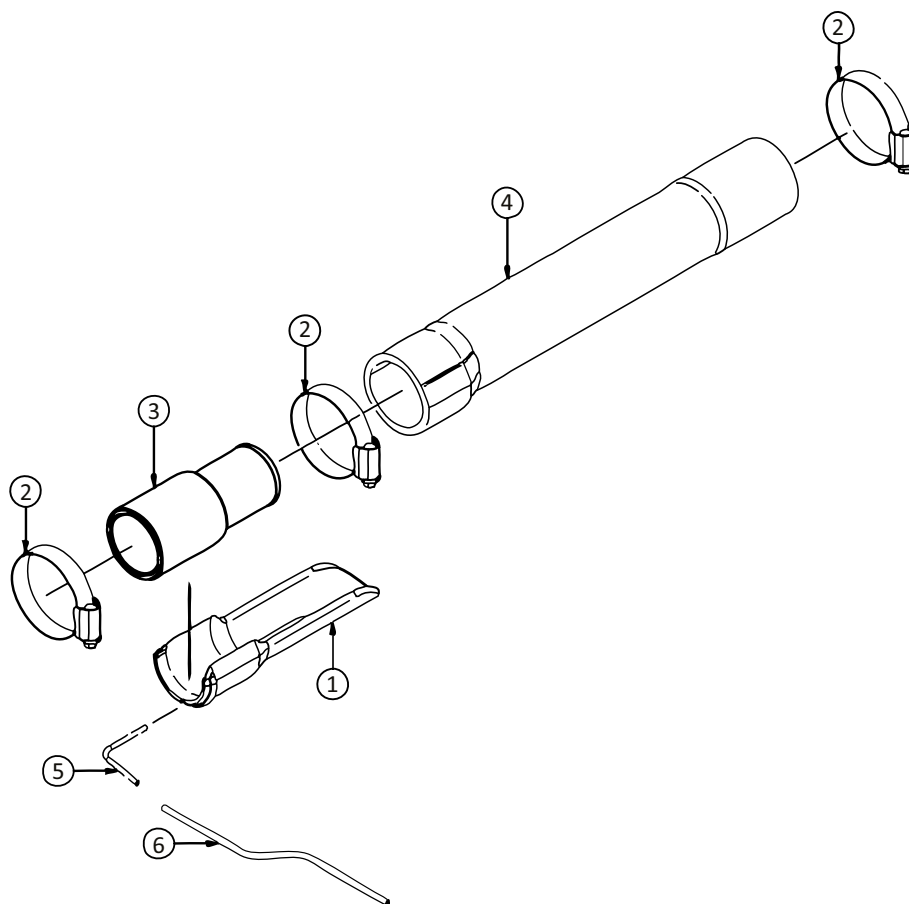
Dribble bar 24m, outer - left				
Pos. no.	Item no.	Pcs.	Description	Note
1	251481055	1	Hose clamp for 1 hose	
2	251481054	3	Hose clamp for 3 hoses	
3	251476646290	5	Clamp	
4	251481016	1	Angle bracket	
5	251481017	2	Angle bracket	
6	2514801515	2	Angle bracket	
7	2514801131	1	Hose bracket for 7 hoses	

**Distributor - DOSIMAT**

<b>Dribble bar 24m</b> Model year 2007 - 2010	Date: 18/6-2015
	14

<b>Distributor - DOSIMAT</b>				
Pos. no.	Item no.	Pcs.	Description	Note
1		1	Hex. nut M8 V2A, self-locking	
2	25130700	1	Set screw M8x60 V2A	
3	2119NUS001	1	Pretension disk	
4	2119DFD044	1	Rubber disk t=1	
5	2119TGD004	1	Rubber disk t=10	
6	2119TRO005N2	1	Rotor straight (NW)	24m dribble bar
7	2119TMS028	2	Knife, complete (NW)	24m dribble bar
8		4	Hex. nut M10 (included in Pos. no. 7)	
9		8	Cap screw M10x16	
10	2119TFL014	1	Cutting ring	24m dribble bar
11	2119TGE005N2	1	Housing	24m dribble bar
12	25130770	8	Lifting-eye nut M12	
13	2119DFD021	2,3m	Gasket (yard goods)	24m dribble bar
14		2	Washer M12	
15		2	Hex. head cap screw M12x35	
16	13631510243	1	Hydraulic motor OMR100 Ø32	
17	2119DFD083	1	Gasket	
18	2119NKS001	1	Grease nipple	
19		2	Hex. head cap screw M12x35	
20		2	Hex. nut M12, self-locking	
21	2119TDE012	1	Cover	24m dribble bar
22	2119GSA128	1	Connection DN100	4" hose
	2119GSA129		Connection DN150	5" hose
	2119DFD018	1	Gasket	
		4	Stud M12x35 DIN938	
		4	Hex. nut M12, self-locking	

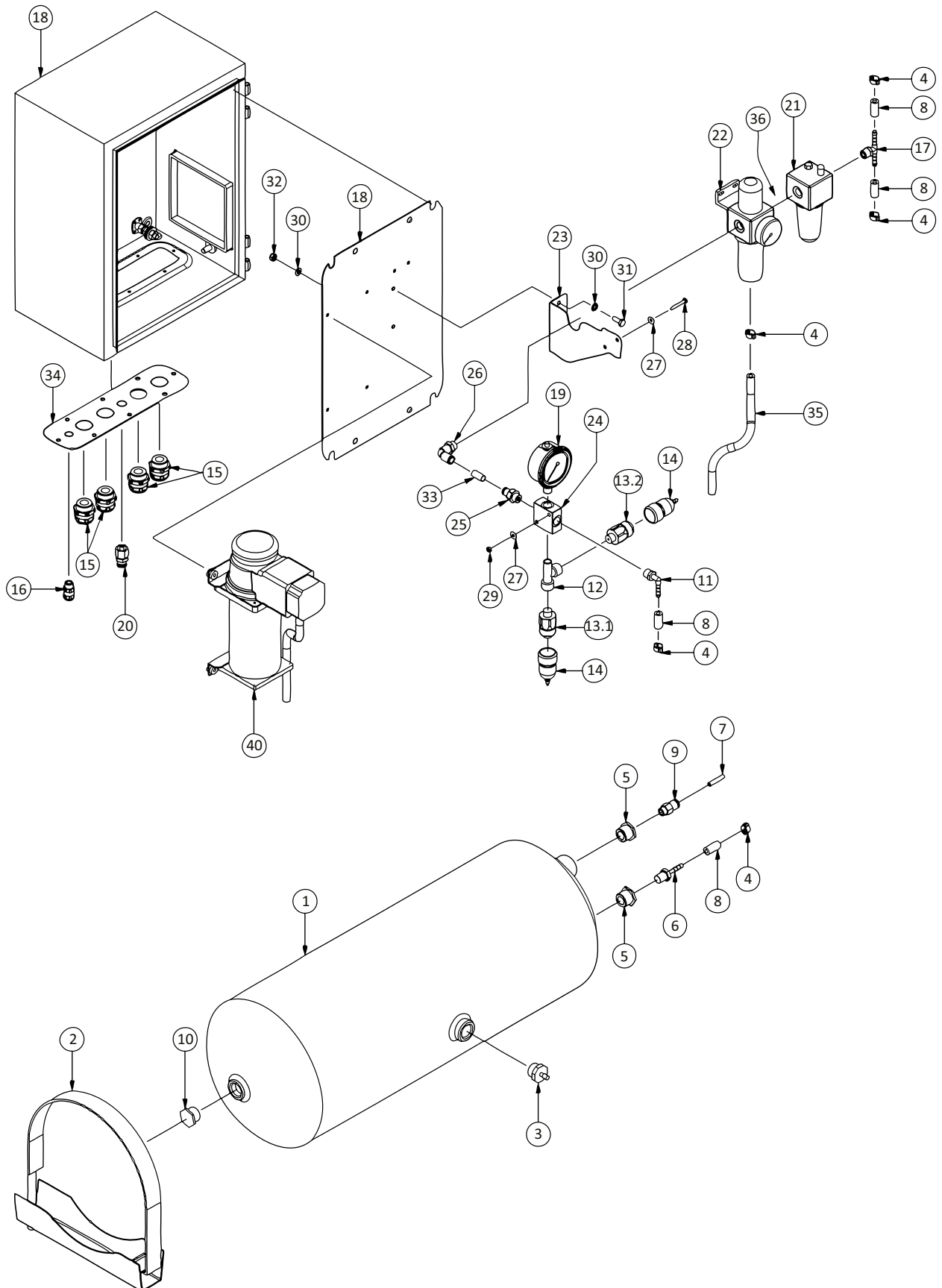
**Flow control**



<b>Dribble bar 24m</b> Model year 2007 - 2010	Date: 18/6-2015
	15

Flow control				
Pos. no.	Item no.	Pcs.	Description	Note
1	2119KFC001TR	1	CFC hose switch off, right	
1	2119KFC001TL	1	CFC hose switch off, left	
2	16200672	3	Hose clamp 38-50mm	
3	251476802188	1	Connector for hose switch off	
4	2119TSC005	1	Hose DN40/DN40	
5	2119HRS227	1	CFC filling tube, exterior diameter 3mm	
6	2119HFC073	1	Hose, blue for flow control	

**Flow control - Pneumatic unit**



**Dribble bar 24m**  
Model year 2007 - 2010

Date: 18/6-2015

16

**Flow control - Pneumatic unit**

Pos. no.	Item no.	Pcs.	Description	Note
1	APV.012	1	Air Tank 30L	
2	APV.014	2	Hose Clamp	
3	APV.015	1	drain Valve	
4	NSS.071	5	Hose clamp	
5	NGE.324	2	Reducer M22x1,5→R1/4"	
6	NGE.327	1	Screw spout G1/4" Straight	
7	HSC.078	2	Pneumatic hose Ø6mm polyurethane	
8	HSC.077	4	Air hose DN6x3	
9	NGE.325	1	Fitting G1 / 4 "check valve function	
10	NGE.329	1	Plug M22x1, 5	
11	NGE.338	1	Elbow Threaded nozzle G1/4" polyamide	
12	NGE.339	1	L- piece G1/4" Tapered	
13.1	SDS.041	1	Pressure switch 1-10 bar	opener set to 6.5 bar
13.2	SDS.041	1	Pressure switch 1-10 bar	opener set to 4 bar
14	SDS.030	2	Protective cap	
15	NGE.331	4	Cable gland M25x1.5 polyamide	
16	NGE.333	1	Cable gland M12x1.5 polyamide	
17	NGE.323	1	T Threaded nozzle G1/4"	
18	ESK.001	1	Cabinet AE 1034	
19	SMD.002	1	Pressure gauge 0-10 bar	
20	NGE.337	1	Fitting straight	
21	APV.023	1	Lubricator ¼ "	
22	APV.013	1	Filter regulator - Manometer	Set to 1.5 bar
23	TFL.940	1	Retaining plate	
24	NGE.349	1	Cross piece G1 / 4 "female	
25	NGE.335	1	Fitting G1/4" Straight	
26	NGE.509	1	Fitting G1/4" elbow	
27	NUS.086	4	Washer 4,3x1x12 DIN9021	
28	NSK.186	2	Bolt M4x30 DIN931	
29	NMS.025	2	Nut M4 DIN934-8	
30	NUS.002	4	Washer B 6,4x12x1,6 DIN125	
31	NSK.178	2	Hex bolt M6x16 DIN933	
32	NMK.003	2	Lock nut M6 DIN985-8	
33	HSC.080	1	Pneumatic hose Ø10mm outer	
34	RFL.1448	1	Plate	
35	HSC.077	1	Air hose DN6x3	
36	APV.025	1	Clutch Kit Pneumatic	
40	APV.019	1	Compressor 450 C 24 V; 14 A	
	NGE.370	(1)	Hose	(included in the compressor)