

# Self-propelled Slurry Distributor

**Spare Parts for  
Dribble bar 24m  
Model year 2010 -**





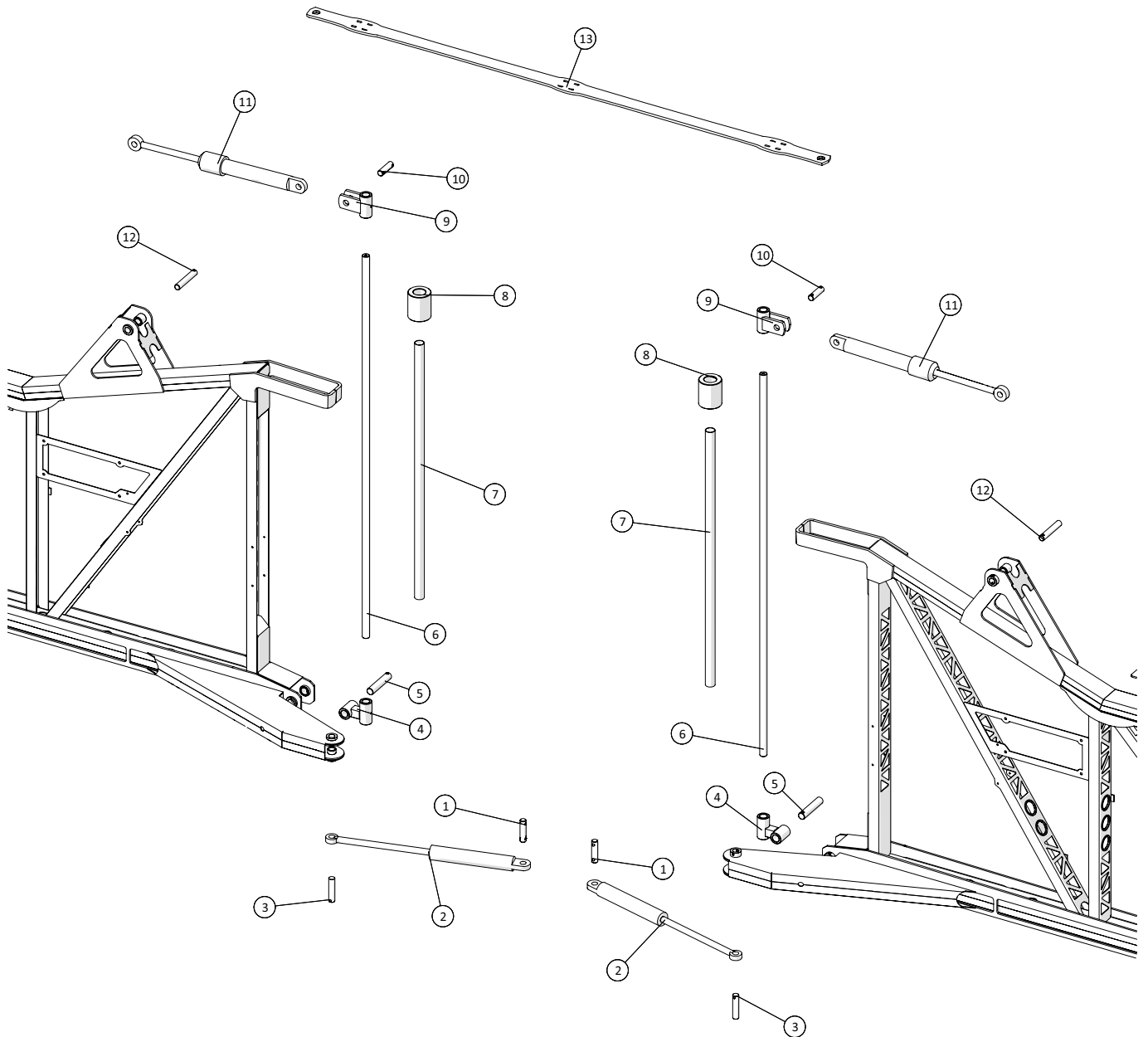
<b>Dribble bar 24m</b> Model year 2010 -	Date: 13/5-2016
	2

## Table of Contents

<b>Fastening</b> .....	3
<b>Inner - right</b> .....	4
<b>Swivel joint inner/middle - right</b> .....	5
<b>Middle - right</b> .....	6
<b>Swivel joint middle/outer - right</b> .....	7
<b>Outer - right</b> .....	8
<b>Inner - left</b> .....	9
<b>Swivel joint inner/middle - left</b> .....	10
<b>Middle - left</b> .....	11
<b>Swivel joint middle/outer - left</b> .....	12
<b>Outer - left</b> .....	13
<b>Distributor - Vogelsang DOSIMAT LV40 DN40</b> .....	14
<b>Distributor - Vogelsang DOSIMAT LVX670 40 DN40</b> .....	15
<b>Flow control</b> .....	16
<b>Flow control - Pneumatic unit</b> .....	17



**Fastening**



<b>Dribble bar 24m</b> Model year 2010 -	Date: 13/5-2016
	3

<b>Fastening</b>				
Pos. no.	Item no.	Pcs.	Description	Note
1	251476707290	2	Pin for lower cylinder	
2	2514850099	2	Cylinder	
	25110133	2	Seal kit for cylinder	
3	251476802240	2	Pin	
4	251476636190	2	Bearing bush	
5	251476801888	2	Pin	
6	251476642470	2	Shaft for wing - frame	
7	2514850106	2	Pipe	
8	251476802243	2	Spacer	
9	251476636200	2	Cylinderbracket	
10	251476634310	2	Pin	
11	2514850103	2	Cylinder	
	2514850103-01	2	Seal kit for cylinder	
12	251476802072	2	Pin	
13	251476632480	1	Bracket for frame	

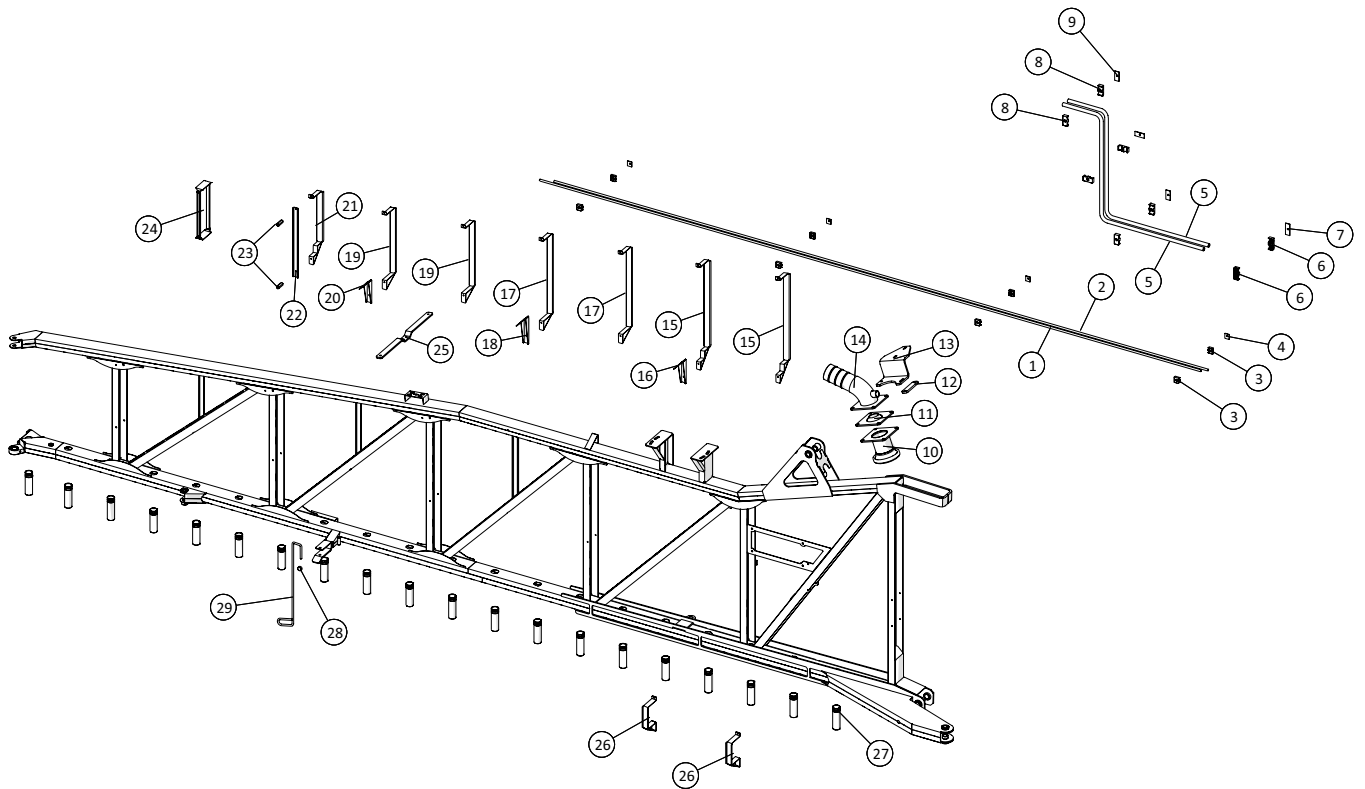


Date: 13/5-2016

4

**Dribble bar 24m**  
Model year 2010 -

Inner - right



**Dribble bar 24m**  
Model year 2010 -

Date: 13/5-2016

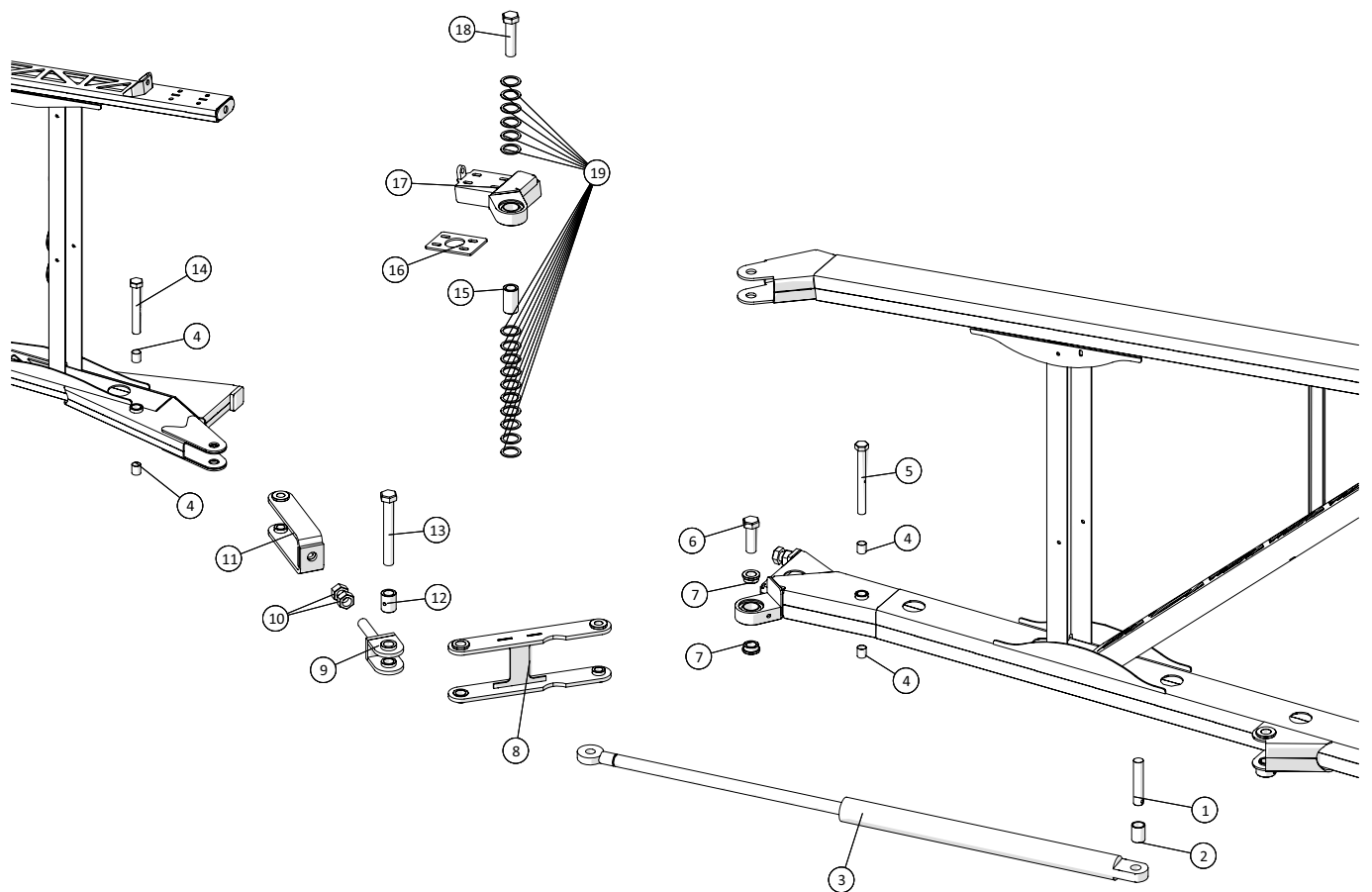
4

**Inner - right**

Pos. no.	Item no.	Pcs.	Description	Note
1	251476802261	1	Hydraulic pipe	
2	251476802043	1	Hydraulic pipe	
3	51000112-01	8	Pipe clamp - double 12mm	
4	51000112-03	4	Cover plate - double 12mm	
5	251476802070	2	Hydraulic pipe for distributor	
6	51000130-01	2	Pipe clamp - double 30mm	
7	51000130-03	1	Cover plate - double 30mm	
8	51000122-01	6	Pipe clamp - double 22mm	
9	51000122-03	3	Cover plate - double 22mm	
10	14050815	1	HK coupling female w/MZ flange 108mm	
11	251476704710	1	Sleeve for hose connection	
12	251476802068	1	Backplate for bracket for supply hose	
13	251476802067	1	Bracket for supply hose to right distributor	
14	251476704670	1	Elbow for transducer	
15	251476802062	2	Hose bracket for 25 hoses	
16	251476802238	1	Backplate for hose bracket	
17	251476802058	2	Hose bracket for 22 hoses	
18	251476802026	1	Backplate for hose bracket	
19	251476802028	2	Hose bracket for 18 hoses	
20	251476802029	1	Backplate for hose bracket	
21	251476802031	1	Hose bracket for 15 hoses	
22	251476802054	1	Backplate for hose bracket	
23	251476801995	2	Spacer for hose bracket	
24	251476802041	1	Hose bracket for 14 hoses	
	251476802042	2	Side profile for hose bracket, middle	
	251476801818	2	Top/bottom for hose bracket	
25	2514801580	1	Bracket for lights	
26	251476801944	2	Hose bracket for 6 hoses	
27	251476801575	20	Pipe for hose duct	
28	251476801579	1	Vibration absorber 25x15 M8	
29	251476641180	1	Locking rod	



**Swivel joint inner/middle - right**



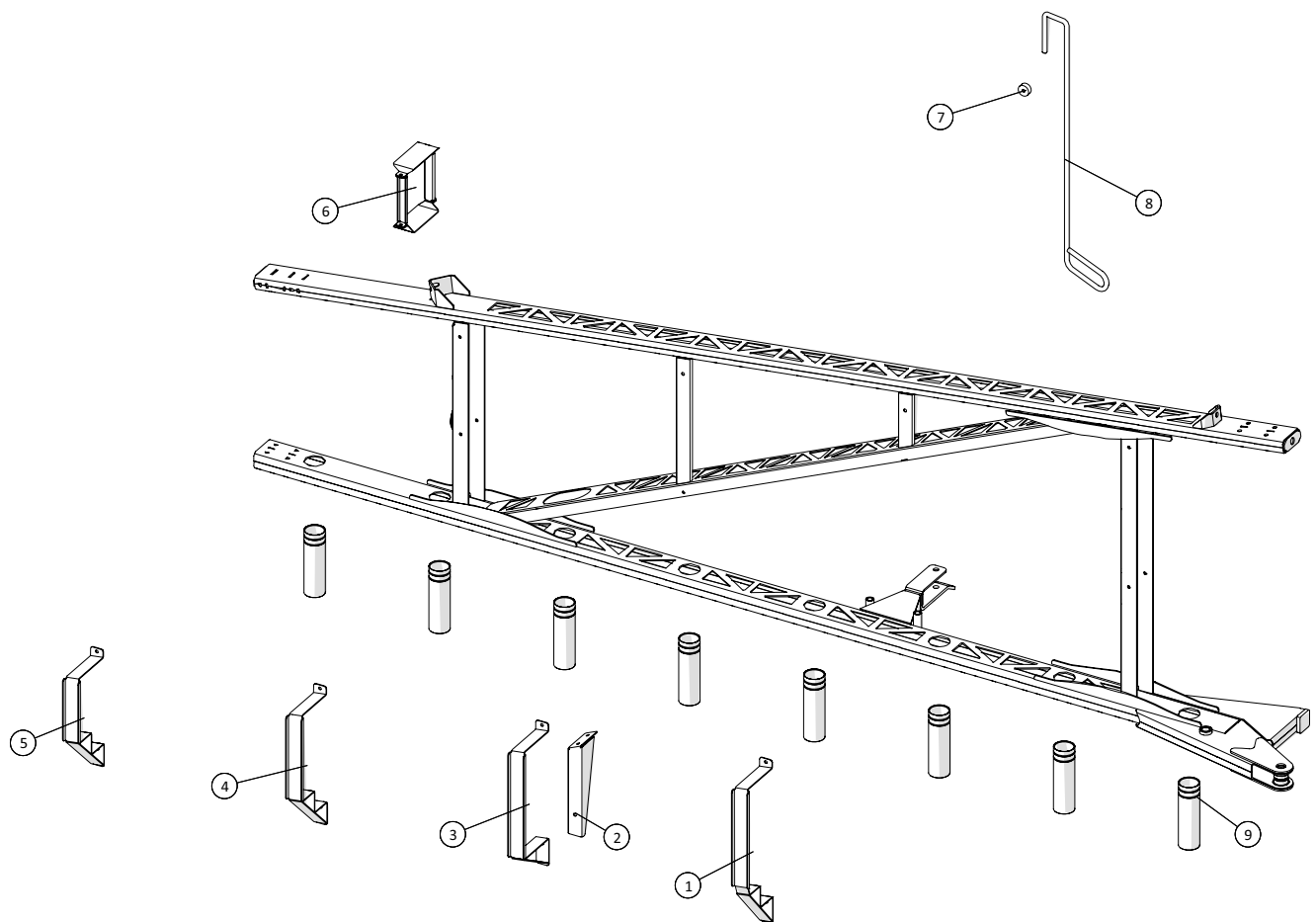


<b>Dribble bar 24m</b> Model year 2010 -	Date: 13/5-2016
	5

<b>Swivel joint inner/middle - right</b>				
Pos. no.	Item no.	Pcs.	Description	Note
1	251476801587	1	Pin with Lock	
2	251476801588	1	Spacer	
3	2514853010-02	1	Cylinder	
	2514853011	1	Seal kits for cylinder	
4	251476801586	4	Slide bush	
5	251476801585	1	Bolt w/grease hole M16x150	
6		1	Bolt M20x60	
7	251476801561	2	Bush	
8	251476801566	1	Spacer bracket	
9	251476801450	1	Cylinder arm	
10		2	Nut M20	
11	251476801458	1	Bracket for cylinder arm	
12	251476801567	1	Spacer	
13		1	Bolt M20x150	
14	251476801584	1	Bolt w/grease hole M16x110	
15	251476801578	1	Spacer for top swivel joint	
16	251476801574	1	Clamping plate for adjustable joint	
17	251476802023	1	Adjustable joint	
18		1	Bolt M20x80	
19	251476801599	16	Washer	



**Middle - right**

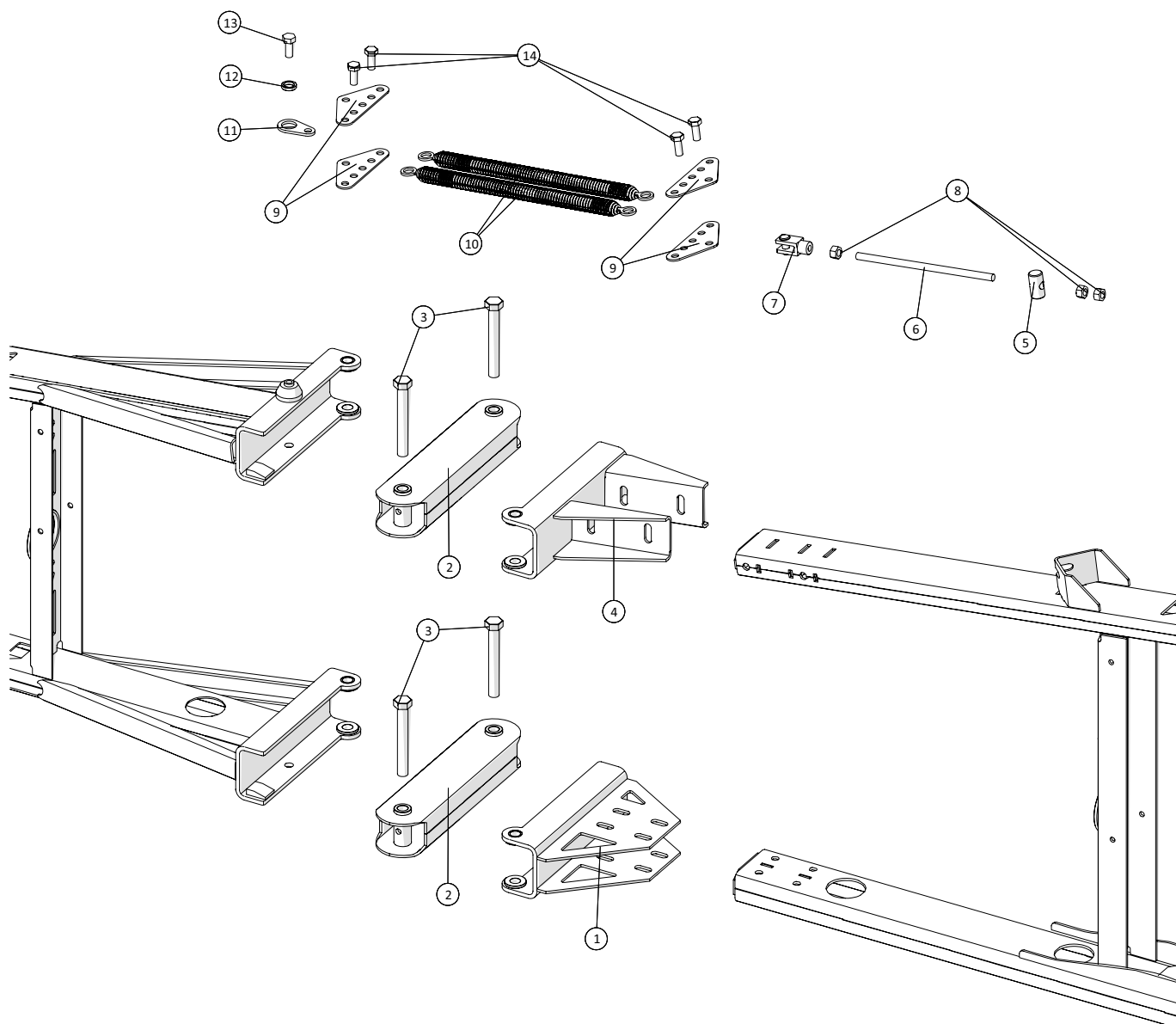


<b>Dribble bar 24m</b> Model year 2010 -	Date: 13/5-2016
	6

Middle - right				
Pos. no.	Item no.	Pcs.	Description	Note
1	251476801965	1	Hose bracket for 11 hoses	
2	251476802036	1	Backplate for hose bracket	
3	251476801866	1	Hose bracket for 10 hoses	
4	251476802033	1	Hose bracket for 9 hoses	
5	251476802035	1	Hose bracket for 7 hoses	
6	251476802039	1	Hose bracket for 6 hoses	
	251476802040	2	Side profile for hose bracket, outer	
	251476801818	2	Top/bottom for hose bracket	
7	251476801579	1	Vibration absorber 25x15 M8	
8	251476641180	1	Locking rod	
9	251476801575	8	Pipe for hose duct	



Swivel joint middle/outer - right



<b>Dribble bar 24m</b> Model year 2010 -	Date: 13/5-2016
	7

<b>Swivel joint middle/outer - right</b>				
Pos. no.	Item no.	Pcs.	Description	Note
1	251476802021	1	Lower fixings R	
2	251476801401	2	Arm for outer swivel joint	
3		4	Bolt M12x90	
4	251476802022	1	Top fixings R	
5	251476801410	1	Bracket	
6	251476801413	1	Threaded rod M8x180	
7	251476801412	1	Clevis M8x16x32	
8		3	Nut M8	
9	251476802234	4	Spring bracket	
10	2514850609	2	Tension spring L=270mm	
11	251476802236	1	Eye for spring bracket	
12	251476802235	1	Ring	
13		1	Bolt M8x16	
14		4	Bolt M8x20	

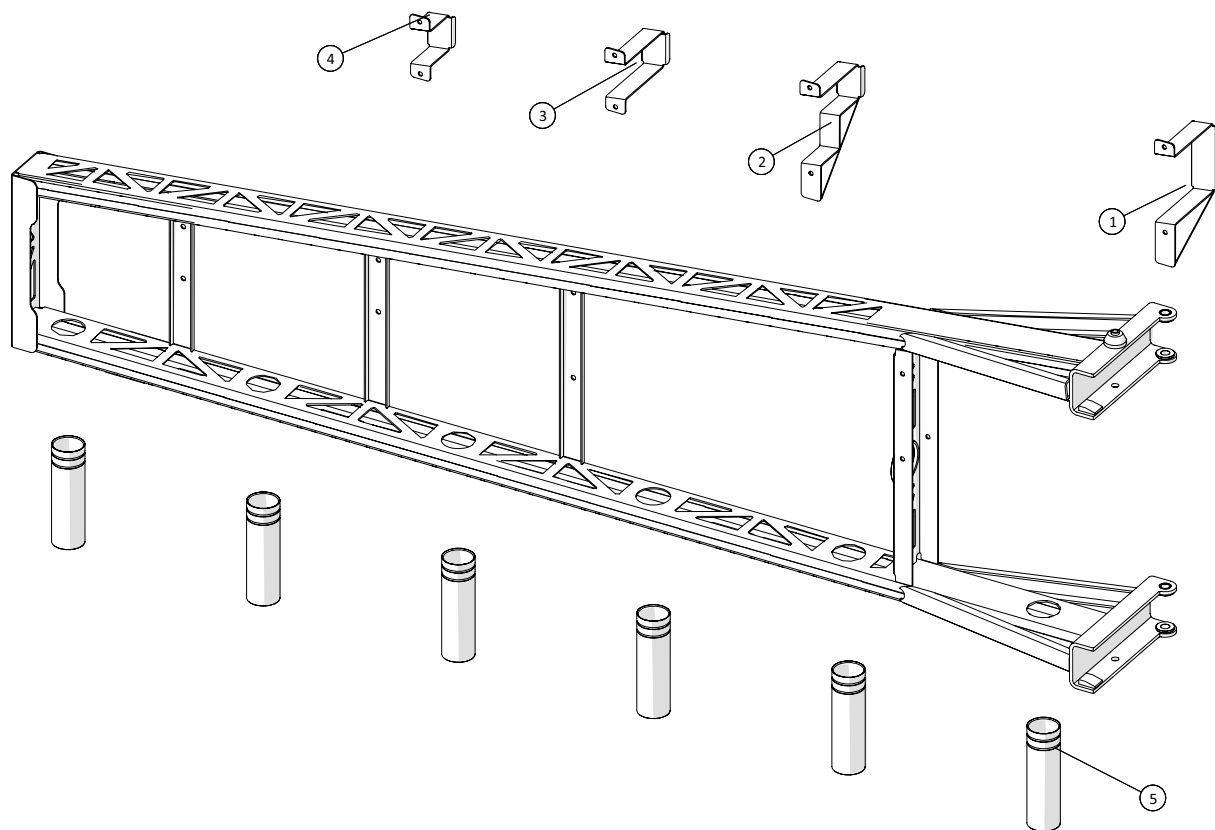


Date: 13/5-2016

8

**Dribble bar 24m**  
Model year 2010 -

**Outer - right**

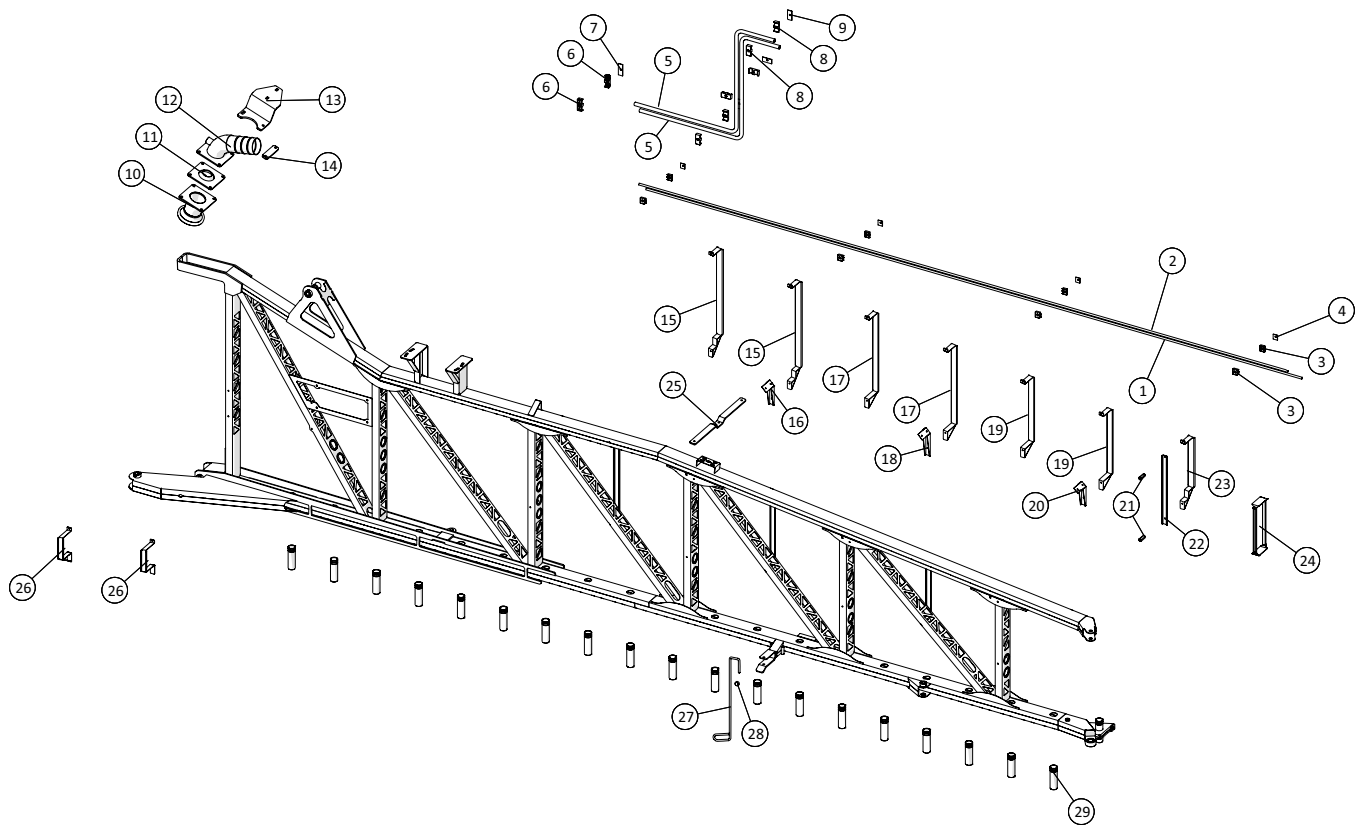


<b>Dribble bar 24m</b> Model year 2010 -	Date: 13/5-2016
	8

Outer - right				
Pos. no.	Item no.	Pcs.	Description	Note
1	251476802038	1	Hose bracket for 4 hoses	
2	251476801967	1	Hose bracket for 3 hoses	
3	251476801970	1	Hose bracket for 2 hoses	
4	251476801971	1	Hose bracket for 1 hoses	
5	251476801575	6	Pipe for hose duct	



**Inner - left**





**Dribble bar 24m**  
Model year 2010 -

Date: 13/5-2016

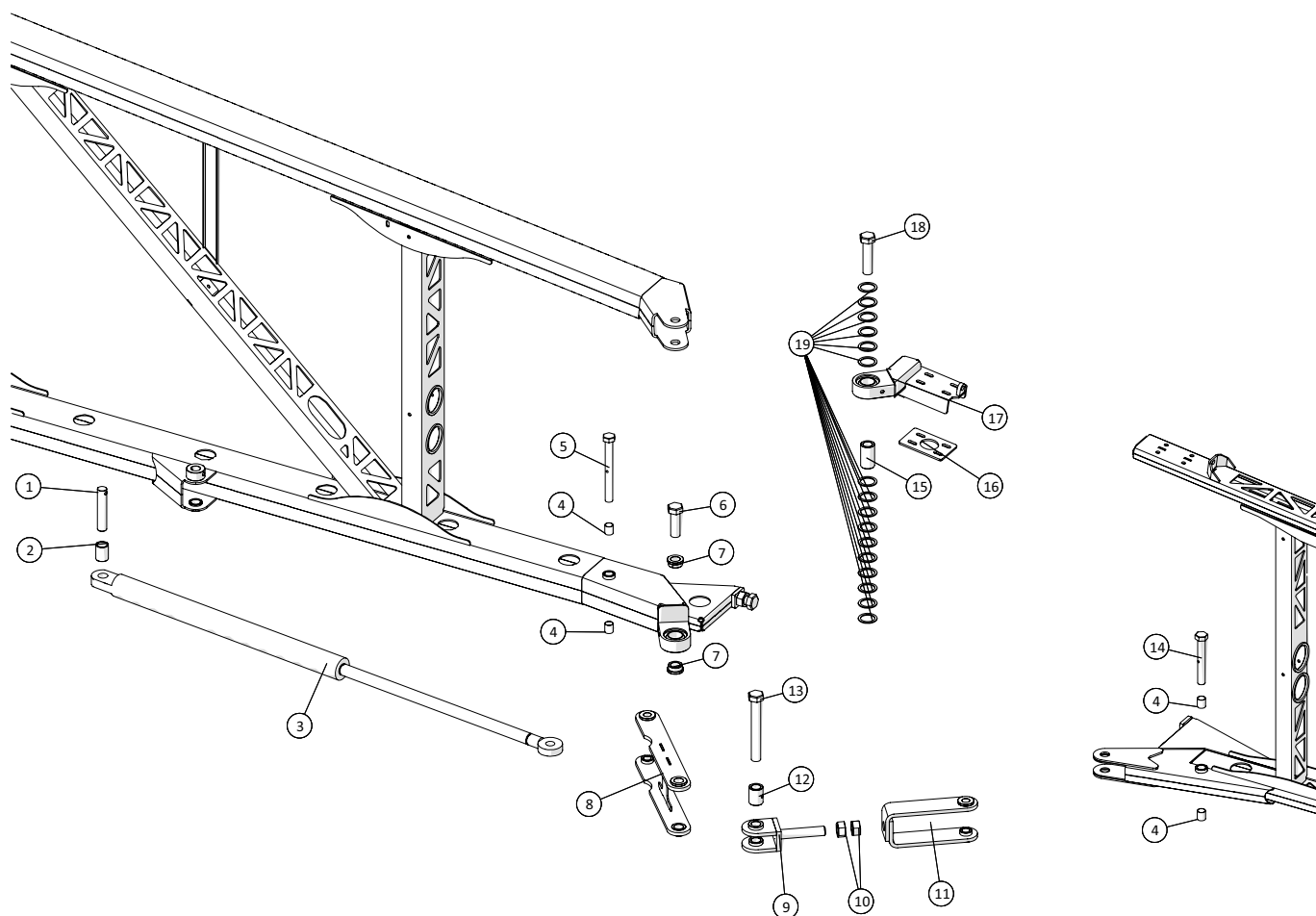
9

**Inner - left**

Pos. no.	Item no.	Pcs.	Description	Note
1	251476802261	1	Hydraulic pipe	
2	251476802043	1	Hydraulic pipe	
3	51000112-01	8	Pipe clamp - double 12mm	
4	51000112-03	4	Cover plate - double 12mm	
5	251476802070	2	Hydraulic pipe for distributor	
6	51000130-01	2	Pipe clamp - double 30mm	
7	51000130-03	1	Cover plate - double 30mm	
8	51000122-01	6	Pipe clamp - double 22mm	
9	51000122-03	3	Cover plate - double 22mm	
10	14050815	1	HK coupling female w/MZ flange 108mm	
11	251476704710	1	Sleeve for hose connection	
12	251476704670	1	Elbow for transducer	
13	251476802066	1	Bracket for supply hose to left distributor	
14	251476802068	1	Backplate for bracket for supply hose	
15	251476802060	2	Hose bracket for 25 hoses	
16	251476802232	1	Backplate for hose bracket	
17	251476802056	2	Hose bracket for 22 hoses	
18	251476801983	1	Backplate for hose bracket	
19	251476801975	2	Hose bracket for 18 hoses	
20	251476801987	1	Backplate for hose bracket	
21	251476801995	2	Spacer for hose bracket	
22	251476802054	1	Backplate for hose bracket	
23	251476801973	1	Hose bracket for 15 hoses	
24	251476802041	1	Hose bracket for 14 hoses	
	251476802042	2	Side profile for hose bracket, middle	
	251476801818	2	Top/bottom for hose bracket	
25	2514801580	1	Bracket for lights	
26	251476801857	2	Hose bracket for 6 hoses	
27	251476641180	1	Locking rod	
28	251476801579	1	Vibration absorber 25x15 M8	
29	251476801575	20	Pipe for hose duct	



**Swivel joint inner/middle - left**

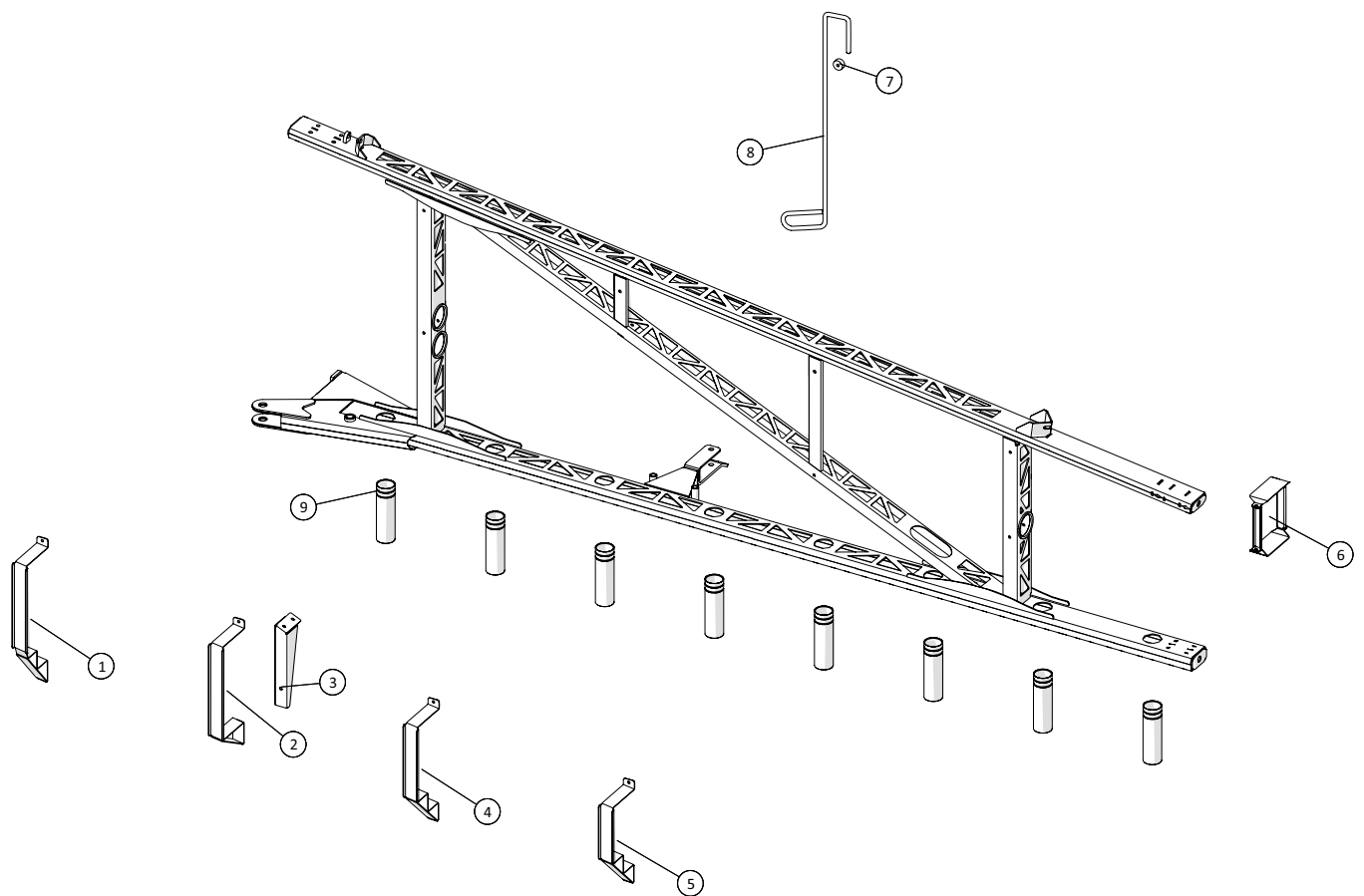


<b>Dribble bar 24m</b> Model year 2010 -	Date: 13/5-2016
	10

<b>Swivel joint inner/middle - left</b>				
Pos. no.	Item no.	Pcs.	Description	Note
1	251476801587	1	Pin with Lock	
2	251476801588	1	Spacer	
3	2514853010-01	1	Cylinder	
	2514853011	1	Seal kits for cylinder	
4	251476801586	4	Slide bush	
5	251476801585	1	Bolt w/grease hole M16x150	
6		1	Bolt M20x60	
7	251476801561	2	Bush	
8	251476801566	1	Spacer bracket	
9	251476801450	1	Cylinder arm	
10		2	Nut M20	
11	251476801458	1	Bracket for cylinder arm	
12	251476801567	1	Spacer	
13		1	Bolt M20x150	
14	251476801584	1	Bolt w/grease hole M16x110	
15	251476801578	1	Spacer for top swivel joint	
16	251476801574	1	Clamping plate for adjustable joint	
17	251476801573	1	Adjustable joint	
18		1	Bolt M20x80	
19	251476801599	16	Washer	



**Middle - left**

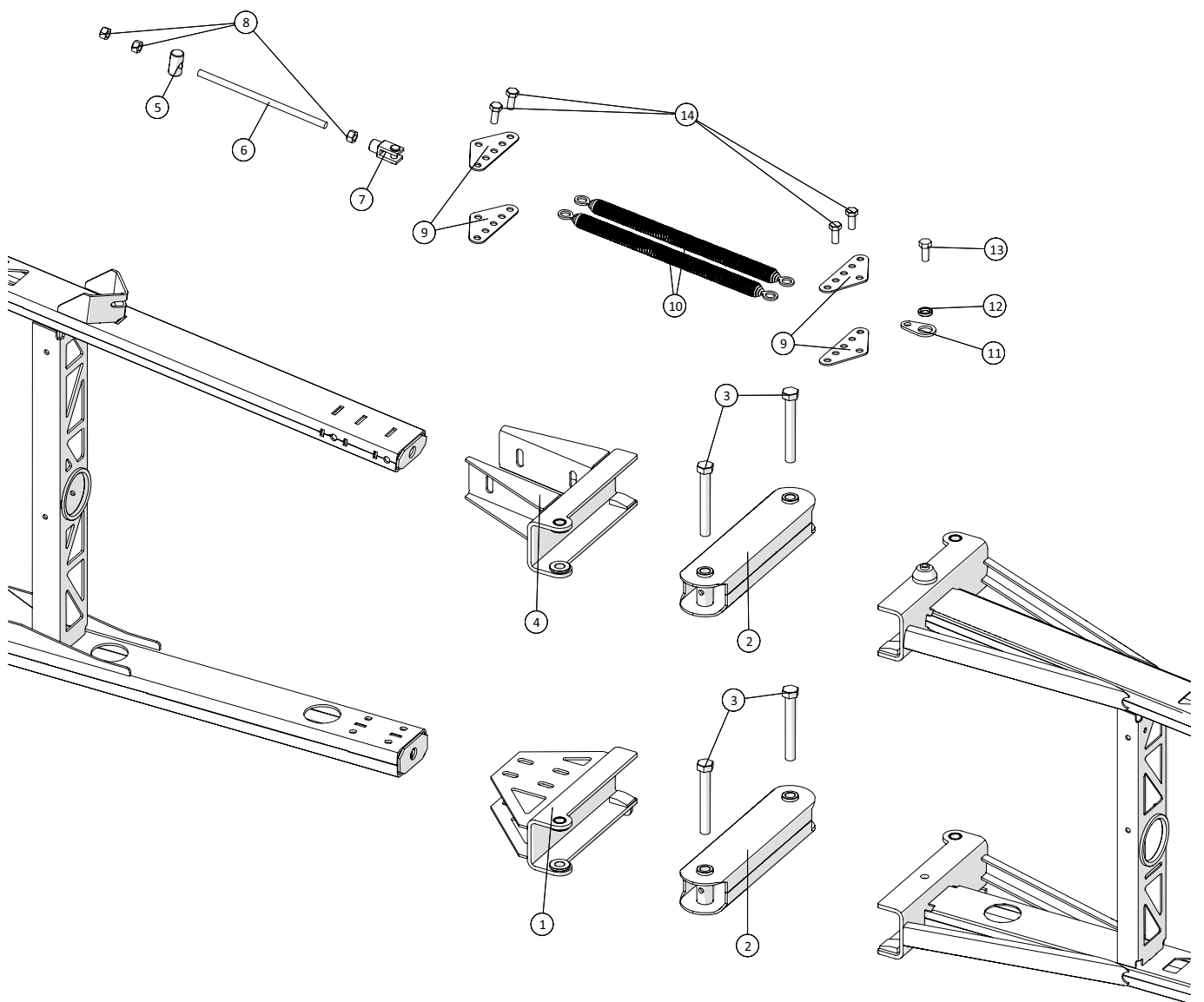


<b>Dribble bar 24m</b> Model year 2010 -	Date: 13/5-2016
	11

<b>Middle - left</b>				
Pos. no.	Item no.	Pcs.	Description	Note
1	251476801828	1	Hose bracket for 11 hoses	
2	251476801948	1	Hose bracket for 10 hoses	
3	251476801991	1	Backplate for hose bracket	
4	251476801979	1	Hose bracket for 9 hoses	
5	251476801977	1	Hose bracket for 7 hoses	
6	251476802039	1	Hose bracket for 6 hoses	
	251476802040	2	Side profile for hose bracket, outer	
	251476801818	2	Top/bottom for hose bracket	
7	251476801579	1	Vibration absorber 25x15 M8	
8	251476641180	1	Locking rod	
9	251476801575	8	Pipe for hose duct	



Swivel joint middle/outer - left

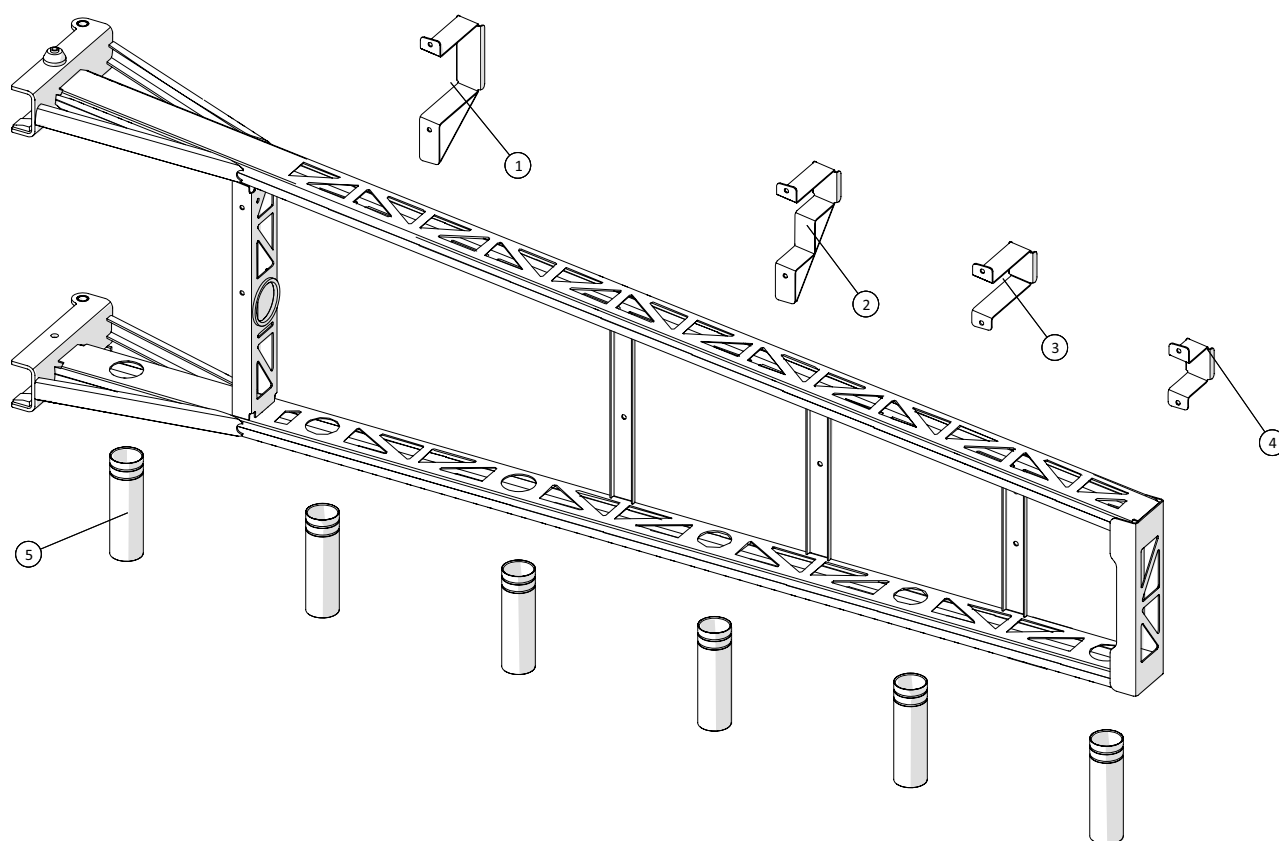


<b>Dribble bar 24m</b> Model year 2010 -	Date: 13/5-2016
	12

Swivel joint middle/outer - left				
Pos. no.	Item no.	Pcs.	Description	Note
1	251476801404	1	Lower fixings L	
2	251476801401	2	Arm for outer swivel joint	
3		4	Bolt M12x90	
4	251476801415	1	Top fixings L	
5	251476801410	1	Bracket	
6	251476801413	1	Threaded rod M8x180	
7	251476801412	1	Clevis M8x16x32	
8		3	Nut M8	
9	251476802234	4	Spring bracket	
10	2514850609	2	Tension spring L=270mm	
11	251476802236	1	Eye for spring bracket	
12	251476802235	1	Ring	
13		1	Bolt M8x16	
14		4	Bolt M8x20	



**Outer - left**



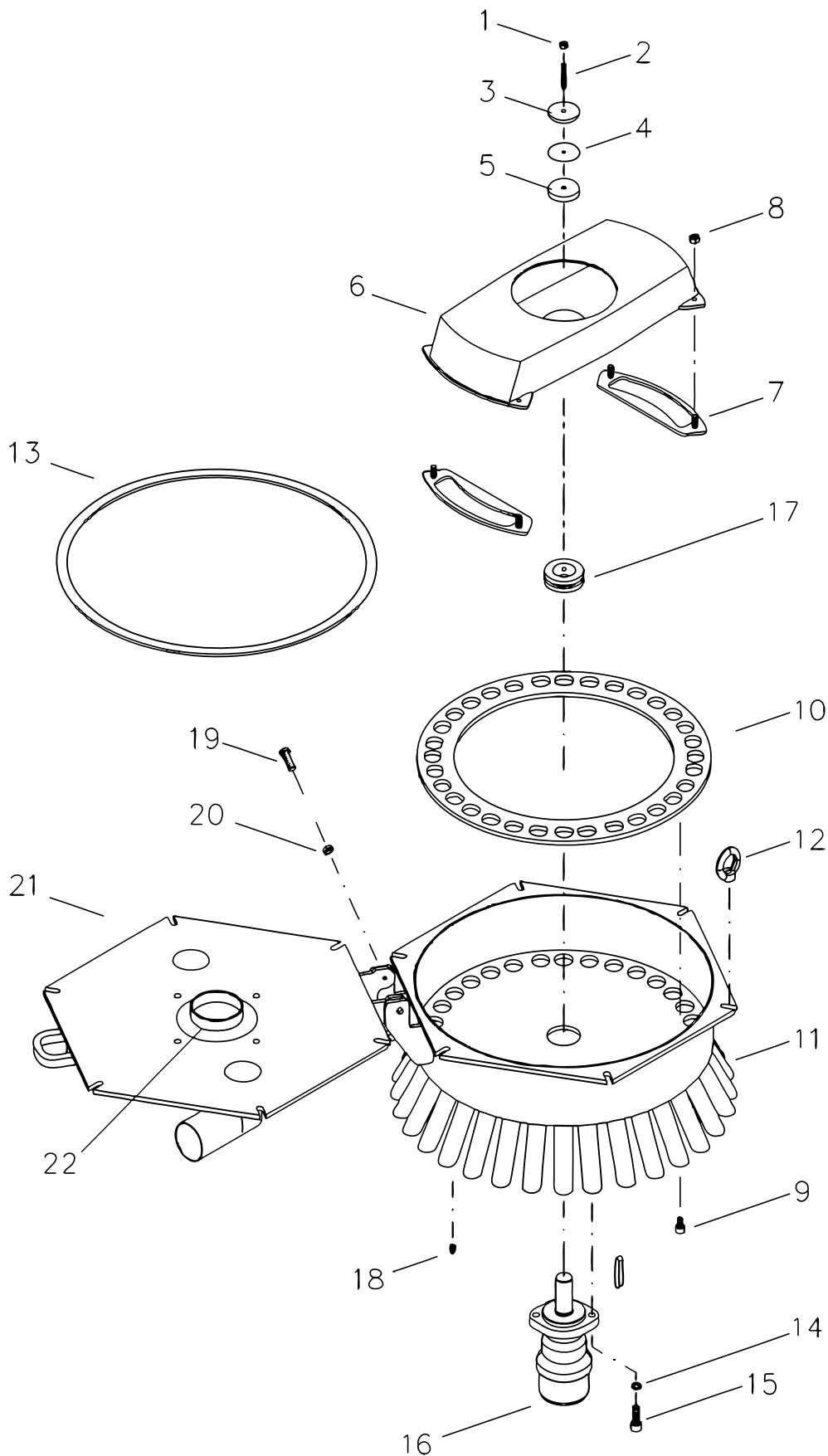


<b>Dribble bar 24m</b> Model year 2010 -	Date: 13/5-2016
	13

<b>Outer - left</b>				
Pos. no.	Item no.	Pcs.	Description	Note
1	251476801981	1	Hose bracket for 4 hoses	
2	251476801836	1	Hose bracket for 3 hoses	
3	251476801872	1	Hose bracket for 2 hoses	
4	251476801870	1	Hose bracket for 1 hoses	
5	251476801575	6	Pipe for hose duct	



**Distributor - Vogelsang DOSIMAT LV40 DN40**

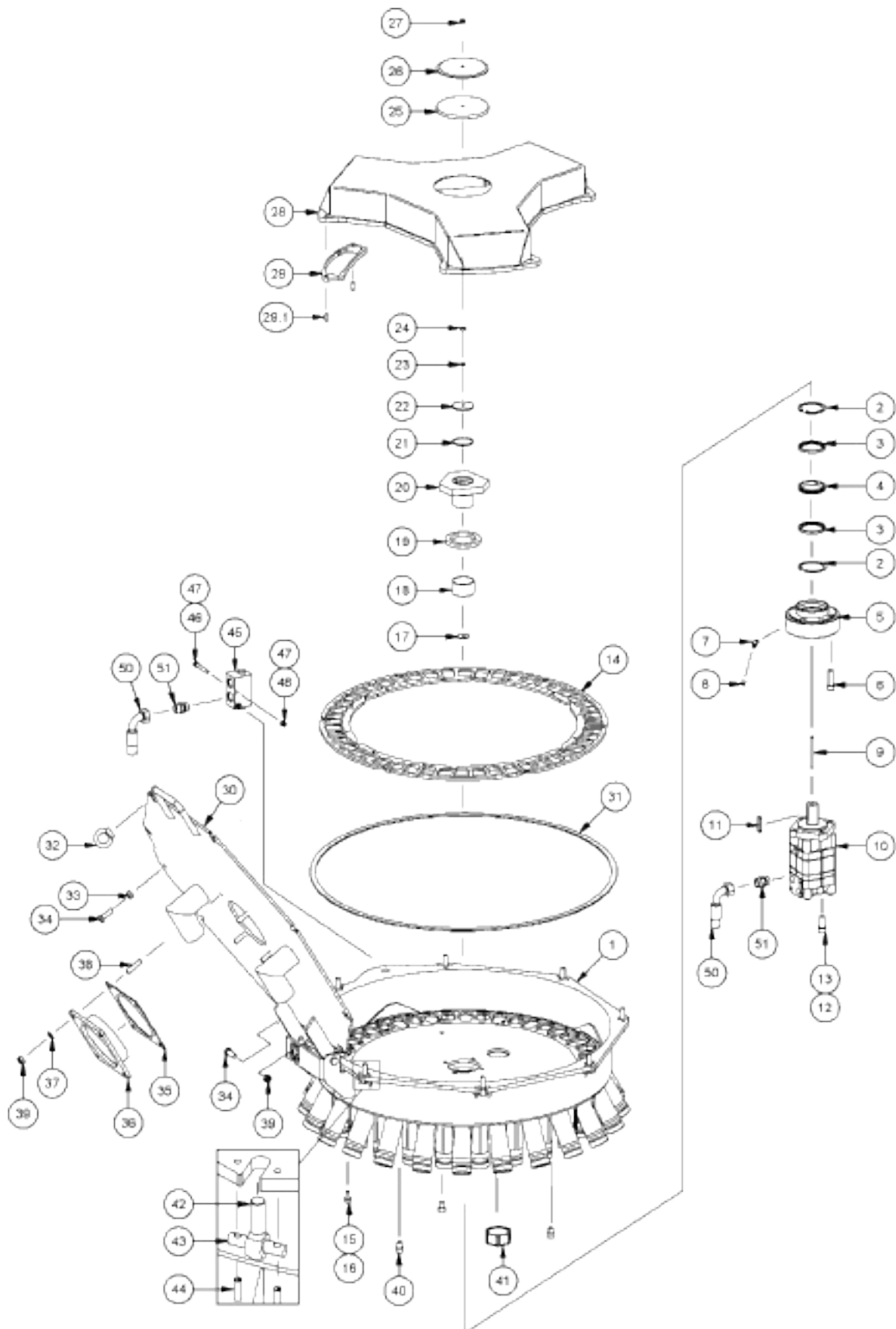


<b>Dribble bar 24m</b> Model year 2010 -	Date: 13/5-2016
	14

<b>Distributor - Vogelsang DOSIMAT LV40 DN40</b>				
Pos. no.	Item no.	Pcs.	Description	Note
1		1	Hex. nut M8 V2A, self-locking	
2	25130700	1	Set screw M8x60 V2A	
3	2119NUS001	1	Pretension disk	
4	2119DFD044	1	Rubber disk t=1	
5	2119TGD004	1	Rubber disk t=10	
6	2119TRO005N2	1	Rotor straight (NW)	24m dribble bar
7	2119TMS028	2	Knife, complete (NW)	24m dribble bar
8		4	Hex. nut M10 (included in Pos. no. 7)	
9		8	Cap screw M10x16	
10	2119TFL014	1	Cutting ring	24m dribble bar
11	2119TGE005N2	1	Housing	24m dribble bar
12	25130770	8	Lifting-eye nut M12	
13	2119DFD021	2,3m	Gasket (yard goods)	24m dribble bar
14		2	Washer M12	
15		2	Hex. head cap screw M12x35	
16	13631510243	1	Hydraulic motor OMR100 Ø32	
17	2119DFD083	1	Gasket	
18	2119NKS001	1	Grease nipple	
19		2	Hex. head cap screw M12x35	
20		2	Hex. nut M12, self-locking	
21	2119TDE012	1	Cover	24m dribble bar
22	2119GSA128	1	Connection DN100	4" hose
	2119GSA129		Connection DN150	5" hose
	2119DFD018	1	Gasket	
		4	Stud M12x35 DIN938	
		4	Hex. nut M12, self-locking	



**Distributor - Vogelsang DOSIMAT LVX670 40 DN40**



**Dribble bar 24m**  
Model year 2010 -

Date: 13/5-2016

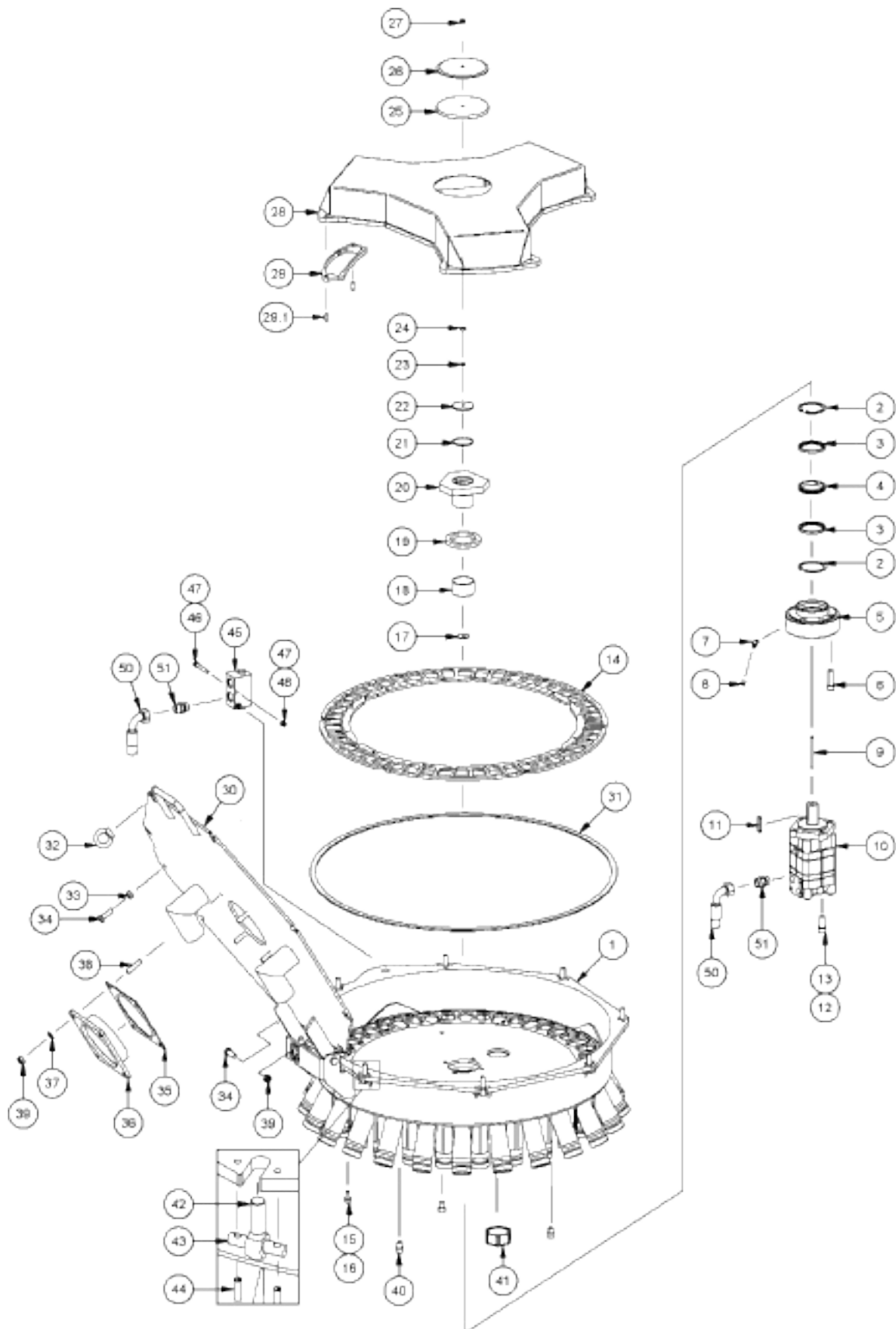
15

**Distributor - Vogelsang DOSIMAT LVX670 40 DN40**

Pos. no.	Item no.	Pcs.	Description	Note
1	TGE0027	1	Housing	
2	NSR.025	2	Retaining ring 72x2,5 DIN 472	
3	DWD.050	2	Lip seal 60x72x7	
4	GRS0164	1	Distance sleeve	
5	TRS0032	1	Adaptor for hydraulic motor	
6	NSI0067	4	Hex socket head screw M12x45 DIN 912	
7	NKS.003	1	Grease nipple 10x1, 45°	
8	BKA.001	1	Grease nipple cap	
9	NGS0031	1	Hex socket set screw M8x90 DIN 913	
10	AOM.018	1	Hydraulic motor Ø 32mm OMS 250	
	DDS.003	(1)	Packet seal for hydraulic motor NBR	Contained in AOM.018
11	NPF.053	(1)	Key A; 10x8x45	Contained in AOM.018
12	NUS0013	4	Lock washer M12 DIN 912	
13	NSI0065	4	Hex socket head screw M12x35	
14	TFL0087	1	Cutting ring	
15	NSI.017	8	Hex socket head screw M10x16 DIN 912	
16	NUS.004	8	Washer A; 10,5x20x2 DIN 125	
17	NUS.067	Option	Shim A; 10x31x0,2 DIN 522	
18	NIR.023	1	Inner ring JR 55x60x35	
19	DFD0090	1	Ring gasket, foam PU Impregnated with grease	
20	GRS0167	1	Adaptor for rotor	
21	DOR.056	1	O-ring 50x2 NBR	
22	GRS0166	1	Pressure washer	
23	DKR.009	1	Sealing ring A; 8x14x1; Cu DIN 7603	
24	NMS.002.E	1	Hex nut M8 DIN 934	
25	TGD0001	1	Rubber disc t = 10mm Standard	
	TGD0002	1	Rubber disc t = 2mm Option: strong preload	
26	GRS0185	1	Preload disc	
27	NMK.004.E	1	Hex nut M8 DIN 985	
28	TRO0205	1	Rotor Extra Wide (EW)	
29	TMS0021	2	Blade complete	
29.1	NSP0015	4	Spring pin 10x20 ISO 8752	
30	TDE0019	1	Cover Ø 670	
31	TFD0001	2270 mm	Asbestos-free gasket 15x4	
	BKL0004	x	Glue Weikon	
32	NMK.009	8	Eye nut M12 DIN 582	
33	NMS.004	1	Hex nut M12 DIN 934	
34	NSK.030	3	Hex head screw M12x40 DIN 933	
35	DFD.018	1	Asbestos-free gasket 6"	
36	GSA0094	1	Connecting piece DN 150	
37	NUS.005	4	Washer A; 13x24x2,5 DIN 125	
38	NGS.085	4	Stud M12x35 DIN 938	
39	NMK.002	6	Hex nut M12 DIN 985	



Distributor - Vogelsang DOSIMAT LVX670 40 DN40

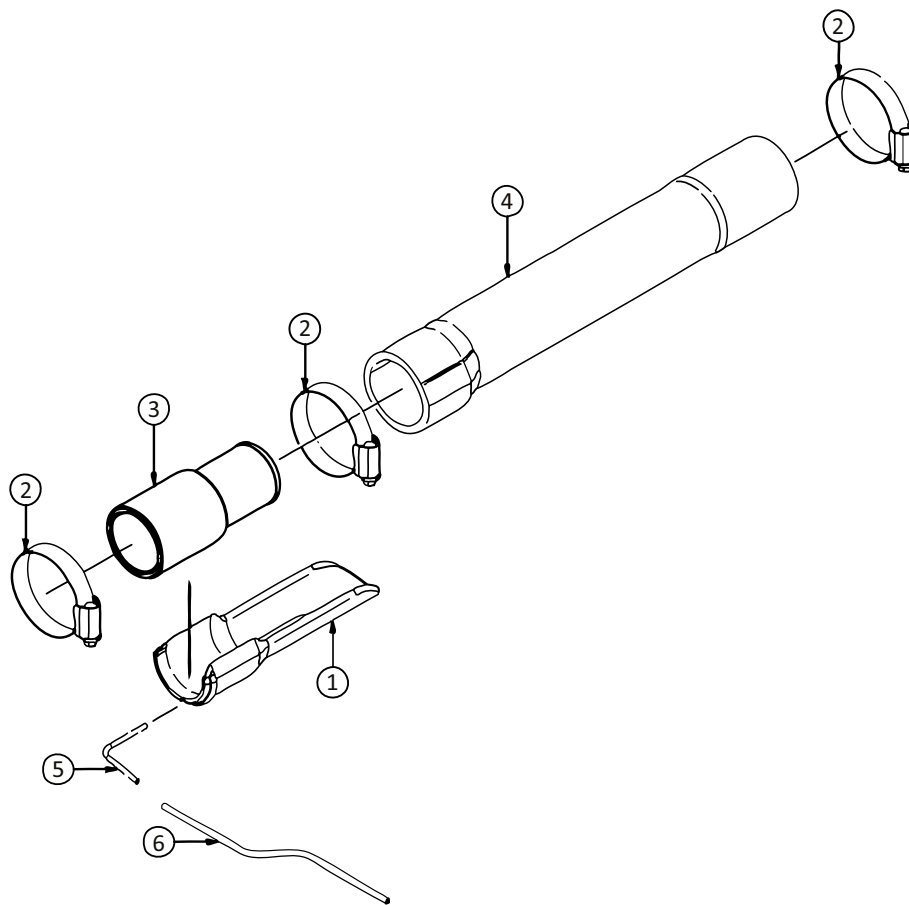


<b>Dribble bar 24m</b> Model year 2010 -	Date: 13/5-2016
	15-1

<b>Distributor - Vogelsang DOSIMAT LVX670 40 DN40</b>				
Pos. no.	Item no.	Pcs.	Description	Note
40	NSI.014	3	Hex socket head screw M12x16 DIN 912	
41	NVE.042	1	Blind cap 2"	
42	NSH.004	8	Augenschraube B; M12x45 DIN 444	
43	GRS0173	8	Traghalter	
44	NSP0006	16	Spannstift 6x20 ISO 13337	
45	AHV0017	1	lifting limit stop	
46	NSK.060	2	Hex head screw M8x65 DIN 931	
47	NUS.003	4	Washer A; 8,4x16x1,6 DIN 125	
48	NMK.004	2	Hex nut M8 DIN 985	
50	THZ0006	1	Hydraulic hose 2SN DN16x850 DKL/DKL	
51	NGE.010	2	Male end fitting 18L R ½"	



**Flow control**



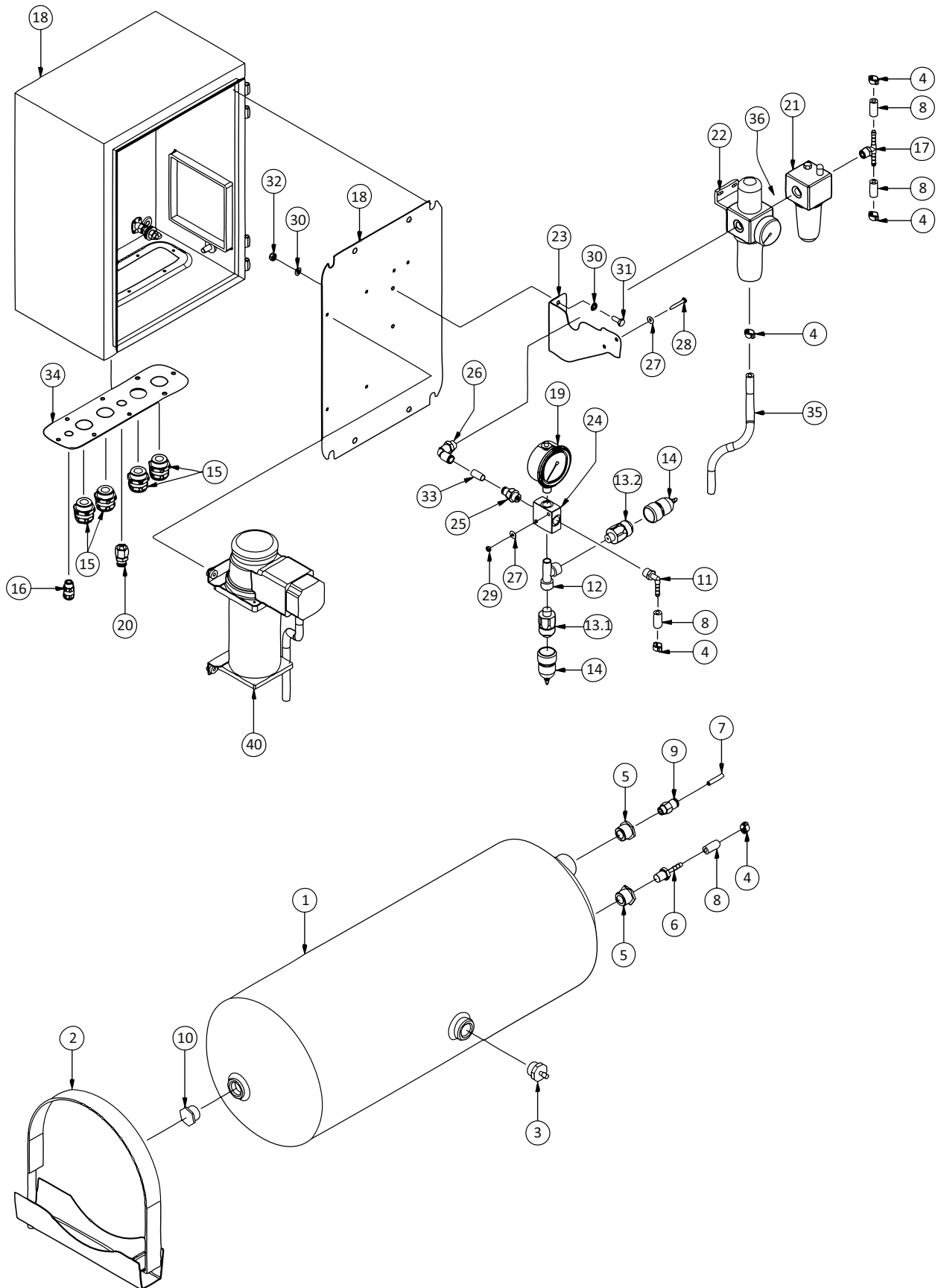


<b>Dribble bar 24m</b> Model year 2010 -	Date: 13/5-2016
	16

Flow control				
Pos. no.	Item no.	Pcs.	Description	Note
1	2119KFC001TR	1	CFC hose switch off, right	
1	2119KFC001TL	1	CFC hose switch off, left	
2	16200672	3	Hose clamp 38-50mm	
3	251476802188	1	Connector for hose switch off	
4	2119TSC005	1	Hose DN40/DN40	
5	2119HRS227	1	CFC filling tube, exterior diameter 3mm	
6	2119HFC073	1	Hose, blue for flow control	



Flow control - Pneumatic unit



**Dribble bar 24m**  
Model year 2010 -

Date: 13/5-2016

17

**Flow control - Pneumatic unit**

Pos. no.	Item no.	Pcs.	Description	Note
1	APV.012	1	Air Tank 30L	
2	APV.014	2	Hose Clamp	
3	APV.015	1	drain Valve	
4	NSS.071	5	Hose clamp	
5	NGE.324	2	Reducer M22x1,5→R1/4"	
6	NGE.327	1	Screw spout G1/4" Straight	
7	HSC.078	2	Pneumatic hose Ø6mm polyurethane	
8	HSC.077	4	Air hose DN6x3	
9	NGE.325	1	Fitting G1 / 4 "check valve function	
10	NGE.329	1	Plug M22x1, 5	
11	NGE.338	1	Elbow Threaded nozzle G1/4" polyamide	
12	NGE.339	1	L- piece G1/4" Tapered	
13.1	SDS.041	1	Pressure switch 1-10 bar	opener set to 6.5 bar
13.2	SDS.041	1	Pressure switch 1-10 bar	opener set to 4 bar
14	SDS.030	2	Protective cap	
15	NGE.331	4	Cable gland M25x1.5 polyamide	
16	NGE.333	1	Cable gland M12x1.5 polyamide	
17	NGE.323	1	T Threaded nozzle G1/4"	
18	ESK.001	1	Cabinet AE 1034	
19	SMD.002	1	Pressure gauge 0-10 bar	
20	NGE.337	1	Fitting straight	
21	APV.023	1	Lubricator ¼ "	
22	APV.013	1	Filter regulator - Manometer	Set to 1.5 bar
23	TFL.940	1	Retaining plate	
24	NGE.349	1	Cross piece G1 / 4 "female	
25	NGE.335	1	Fitting G1/4" Straight	
26	NGE.509	1	Fitting G1/4" elbow	
27	NUS.086	4	Washer 4,3x1x12 DIN9021	
28	NSK.186	2	Bolt M4x30 DIN931	
29	NMS.025	2	Nut M4 DIN934-8	
30	NUS.002	4	Washer B 6,4x12x1,6 DIN125	
31	NSK.178	2	Hex bolt M6x16 DIN933	
32	NMK.003	2	Lock nut M6 DIN985-8	
33	HSC.080	1	Pneumatic hose Ø10mm outer	
34	RFL.1448	1	Plate	
35	HSC.077	1	Air hose DN6x3	
36	APV.025	1	Clutch Kit Pneumatic	
40	APV.019	1	Compressor 450 C 24 V; 14 A	
	NGE.370	(1)	Hose	(included in the compressor)

