

Self-propelled Slurry Distributor

**Spare Parts for
Dribble bar 30m
Model year 2009 - 2014**





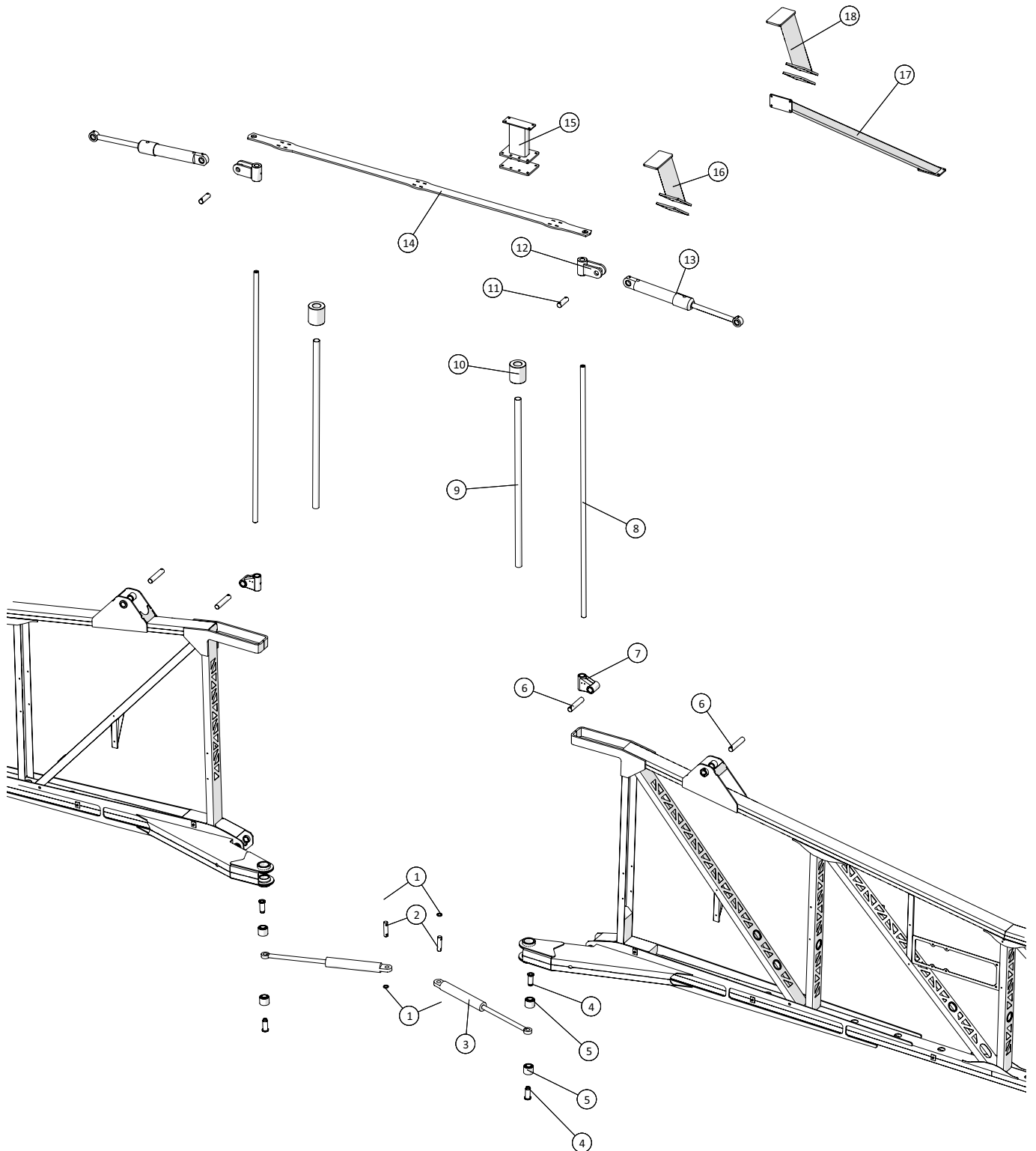
Dribble bar 30m Model year 2009 - 2014	Date: 18/6-2015
	2

Table of Contents

Fastening.....	3
Swivel joint inner/middle - right	4
Swivel joint inner/middle - left	5
Swivel joint middle/outer - right.....	6
Swivel joint middle/outer - left.....	7
Inner - right	8
Middle - right	9
Outer - right	10
Inner - left	11
Middle - left	12
Outer - left	13
Distributor - DOSIMAT	14
Flow control	15
Flow control - Pneumatic unit.....	16



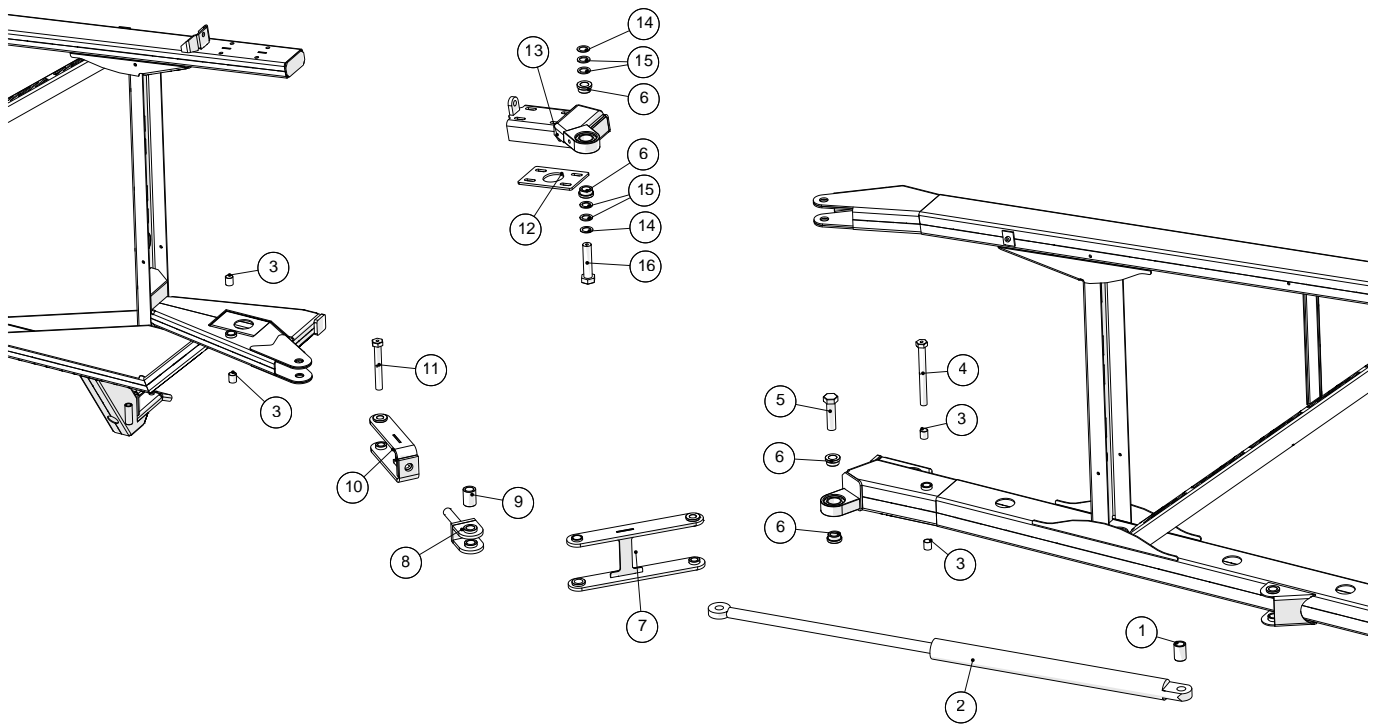
Fastening



Dribble bar 30m Model year 2009 - 2014	Date: 18/6-2015
	3

Fastening				
Pos. no.	Item no.	Pcs.	Description	Note
1	251476801232	4	Spacer for cylinder	
2	251476707290	2	Pin for lower cylinder	
3	2514850099	2	Cylinder	
	25110133	2	Seal kit for cylinder	
4	251476802172	4	Bush	
5	251476802146	4	Rubber bush	
6	251476801888	4	Pin	
7	251476636190	2	Bearing bush	
8	251476642470	2	Shaft for wing - frame	
9	2514850106	2	Pipe	
10	251476801874	2	Spacer	
11	251476802076	2	Pin	
12	251476802074	2	Cylinderbracket	
13	2514850102	2	Cylinder	
	2514850102-01	2	Seal kit for cylinder	
14	251476632480	1	Bracket for frame	
15	251476802092	1	Middle reinforcing	
16	251476802087	1	Top reinforcement	
17	251476801881	1	Diagonal brace for retrofitting at 30m dribble bar	
18	251476802086	1	Top reinforcement for retrofitting at 30m dribble bar	

Swivel joint inner/middle - right

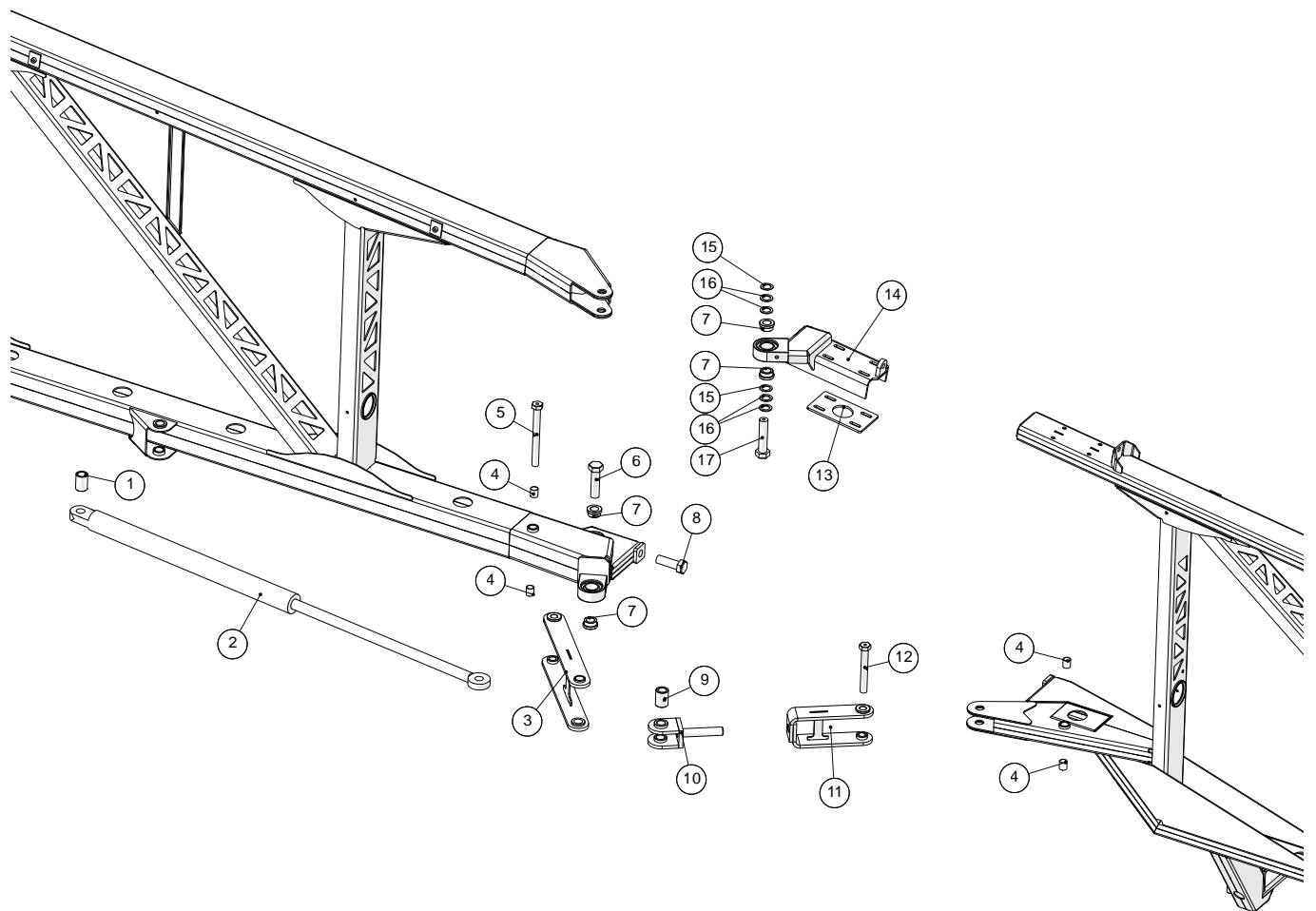


Dribble bar 30m Model year 2009 - 2014	Date: 18/6-2015
	4

Swivel joint inner/middle - right				
Pos. no.	Item no.	Pcs.	Description	Note
1	251476801769	1	Spacer	
2	2514853013-01	1	Cylinder	
	2514853014	1	Seal kits for cylinder	
3	251476801586	4	Slide bush	
4	251476801806	1	Bolt w/grease hole M16x160	
5	251476802144	1	Bolt w/grease hole	
6	251476801813	4	Bush	
7	251476801766	1	Arm	
8	251476801759	1	Bracket for cylinder arm	
9	251476801764	1	Spacer bracket	
10	251476801754	1	Cylinder arm	
11	251476801805	1	Bolt w/grease hole M16x120	
12	251476801674	1	Clamping plate for adjustable joint	
13	251476801928	1	Adjustable joint	
14	251476801815	2	Washer 1mm	
15	251476801814	4	Washer 2mm	
16	251476802145	1	Bolt w/grease hole	



Swivel joint inner/middle - left

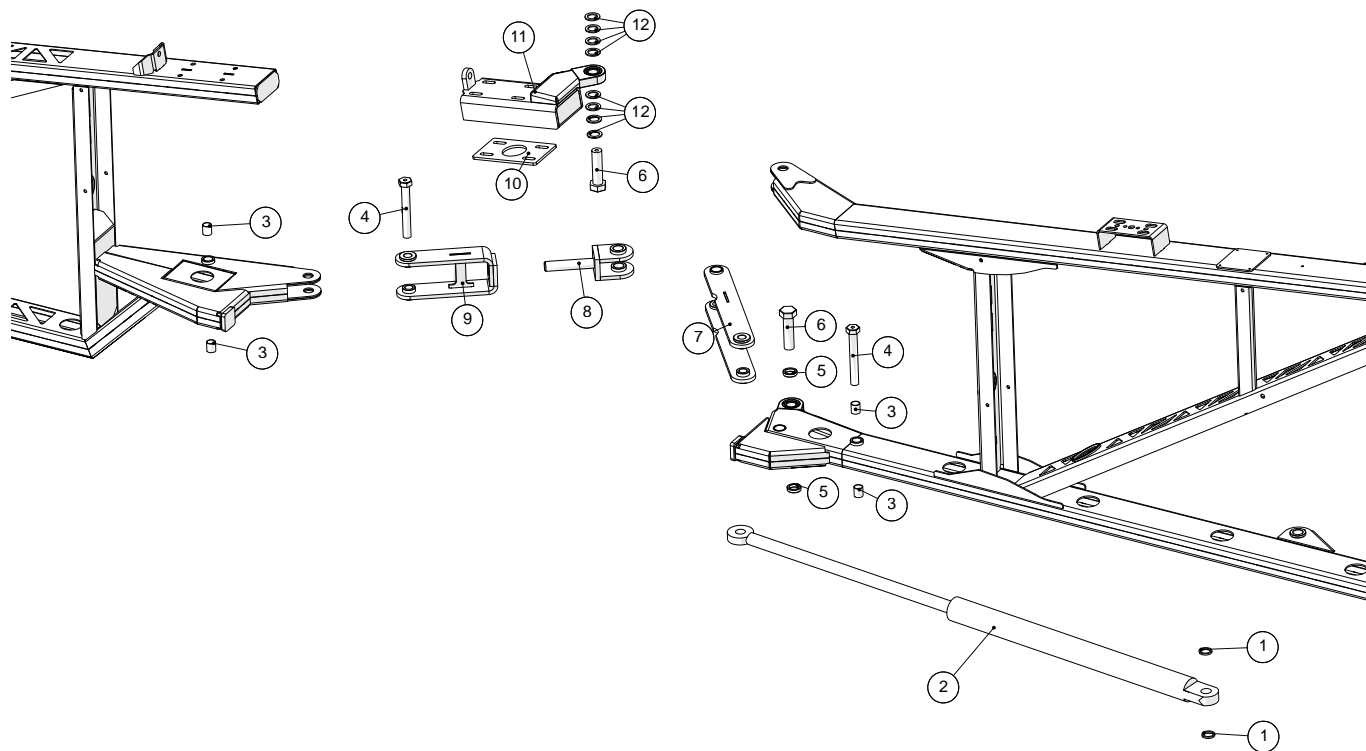


Dribble bar 30m Model year 2009 - 2014	Date: 18/6-2015
	5

Swivel joint inner/middle - left				
Pos. no.	Item no.	Pcs.	Description	Note
1	251476801769	1	Spacer	
2	2514853013-02	1	Cylinder	
	2514853014	1	Seal kits for cylinder	
3	251476801766	1	Arm	
4	251476801586	4	Slide bush	
5	251476801806	1	Bolt w/grease hole M16x160	
6	251476802144	1	Bolt w/grease hole	
7	251476801813	4	Bush	
8		1	Bolt M20x60	
9	251476801764	1	Spacer bracket	
10	251476801759	1	Bracket for cylinder arm	
11	251476801754	1	Cylinder arm	
12	251476801805	1	Bolt w/grease hole M16x120	
13	251476801674	1	Clamping plate for adjustable joint	
14	251476801676	1	Adjustable joint	
15	251476801815	2	Washer 1mm	
16	251476801814	4	Washer 2mm	
17	251476802145	1	Bolt w/grease hole	



Swivel joint middle/outer - right

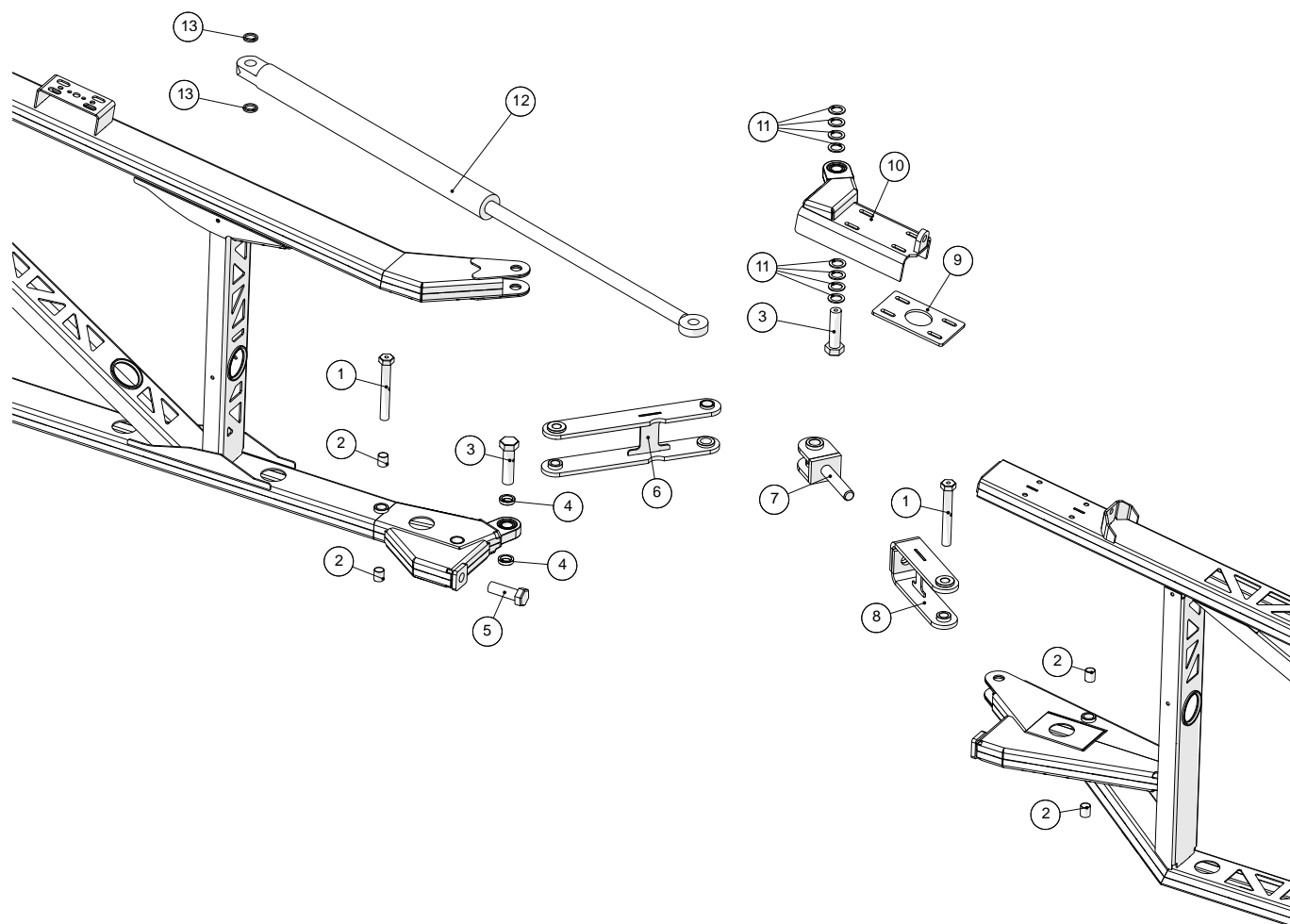


Dribble bar 30m Model year 2009 - 2014	Date: 18/6-2015
	6

Swivel joint middle/outer - right				
Pos. no.	Item no.	Pcs.	Description	Note
1	251476801779	2	Washer for cylinder	
2	2514853010-02	1	Cylinder	
	2514853011		Seal kits for cylinder	
3	251476801586	4	Slide bush	
4	251476801805	2	Bolt w/grease hole M16x120	
5	251476801816	2	Spacer	
6	251476802144	2	Bolt w/grease hole	
7	251476801776	1	Arm	
8	251476802267	1	Bracket for cylinder arm	
9	251476801754	1	Cylinder arm	
10	251476801674	1	Clamping plate for adjustable joint	
11	251476801938	1	Adjustable joint	
12	251476801814	8	Washer 2mm	



Swivel joint middle/outer - left

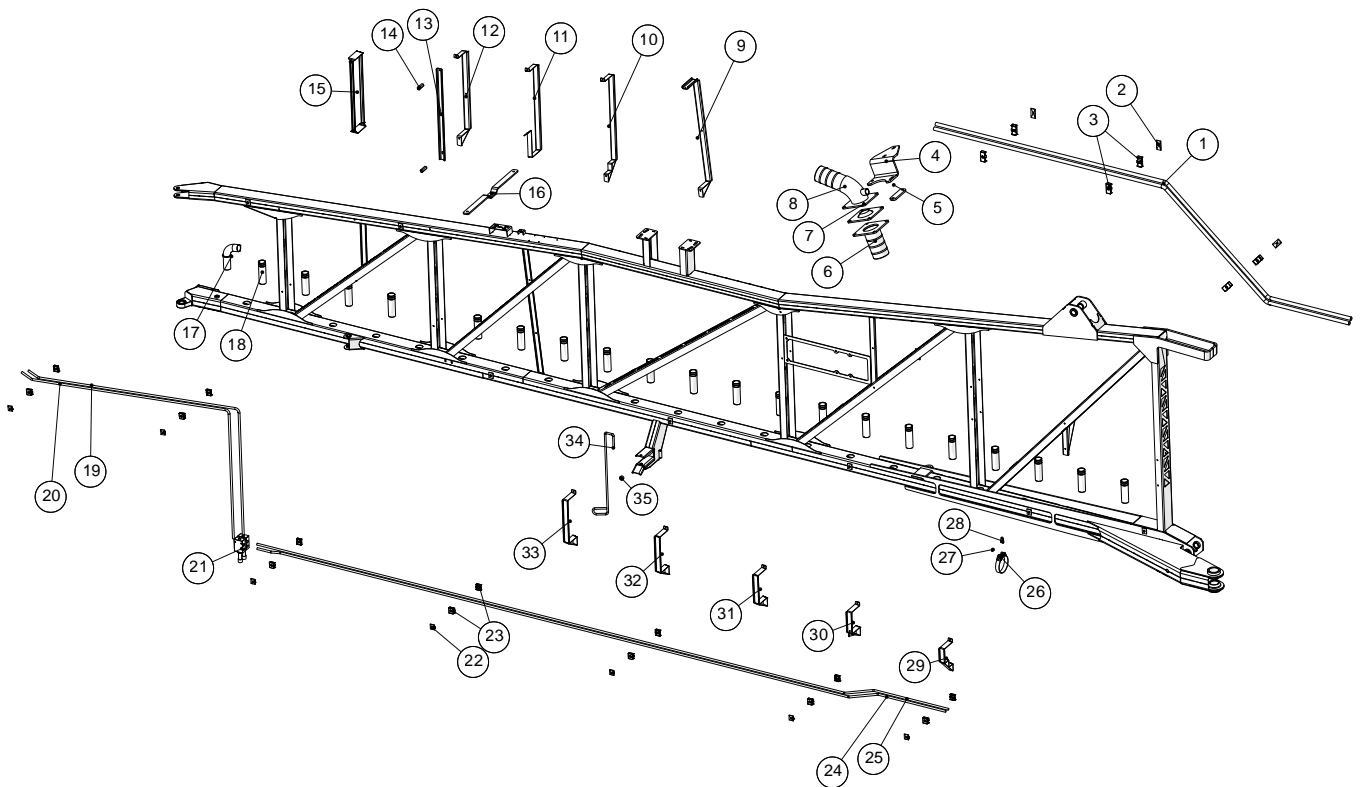


Dribble bar 30m Model year 2009 - 2014	Date: 18/6-2015
	7

Swivle joint middle/outer - left				
Pos. no.	Item no.	Pcs.	Description	Note
1	251476801805	2	Bolt w/grease hole M16x120	
2	251476801586	4	Slide bush	
3	251476802144	2	Bolt w/grease hole	
4	251476801816	2	Spacer	
5		1	Bolt M20x60mm	
6	251476801776	1	Arm	
7	251476802267	1	Bracket for cylinder arm	
8	251476801754	1	Cylinder arm	
9	251476801674	1	Clamping plate for adjustable joint	
10	251476801731	1	Adjustable joint	
11	251476801814	8	Washer 2mm	
12	2514853010-01	1	Cylinder	
	2514853011		Seal kits for cylinder	
13	251476801779	2	Washer for cylinder	



Inner - right



Dribble bar 30m
Model year 2009 - 2014

Date: 18/6-2015

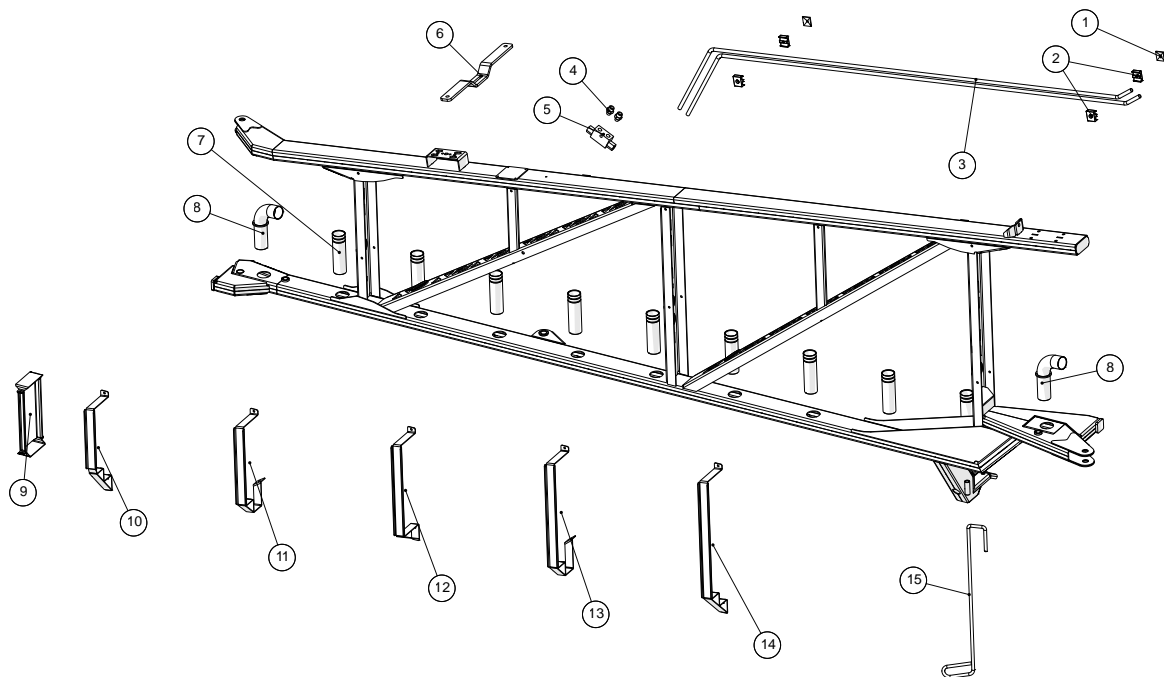
8

Inner - right

Pos. no.	Item no.	Pcs.	Description	Note
1	251476802052	2	Hydraulic pipe for distributor	
2	51000122-03	3	Cover plate - double 22mm	
3	51000122-01	6	Pipe clamp - double 22mm	
4	251476802067	1	Bracket for supply hose to right distributor	
5	251476802068	1	Backplate for bracket for supply hose	
6	251476704680	1	Hose connector	
7	251476704710	1	Sleeve for hose connection	4" hose
7	251476802387	1	Sleeve for hose connection	5" hose
8	251476704670	1	Elbow for transducer	
9	251476801838	1	Hose bracket for 28 hoses	
10	251476801952	1	Hose bracket for 25 hoses	
11	251476801953	1	Hose bracket for 24 hoses	
12	251476801955	1	Hose bracket for 22 hoses	
13	251476801899	1	Backplate for hose bracket 22 hoses	
14	251476801995	2	Spacer for hose bracket	
15	251476801864	1	Hose bracket	
	251476801819	2	Side profile for hose bracket, middle	
	251476801818	2	Top/bottom for hose bracket	
16	2514801580	1	Bracket for lights	
17	251476802131	1	Angle hose bracket	
18	251476801577	21	Pipe for hose duct	
19	251476801784	1	Hydraulic pipe 1	
20	251476801785	1	Hydraulic pipe 2	
21		1		
22	51000112-03	7	Cover plate - double 12mm	
23	51000112-01	14	Pipe clamp - double 12mm	
24	251476802064	1	Hydraulic pipe	
25	251476801886	1	Hydraulic pipe	
26	16200734	1	Hose clamp 113-121mm	
27	251476802082	1	Spacer	
28	251476802081	1	Bracket	
29	251476801946	1	Hose bracket for 5 hoses	
30	251476802080	1	Hose bracket for 6 hoses	
31	251476801942	1	Hose bracket for 8 hoses	
32	251476801948	1	Hose bracket for 10 hoses	
33	251476801950	1	Hose bracket for 12 hoses	
34	251476641180	1	Locking rod	
35	251476801579	1	Vibration absorber 25x15 M8	



Middle - right



Dribble bar 30m Model year 2009 - 2014	Date: 18/6-2015
	9

Middle - right				
Pos. no.	Item no.	Pcs.	Description	Note
1	51000112-03	2	Cover plate - double 12mm	
2	51000112-01	4	Pipe clamp - double 12mm	
3	251476801788	2	Hydraulic pipe 5	
4	503373063	2	Reduction 1/4" - 12mm	
5	2514702393	1	Control valves 3/8" double	
6	251476802065	1	Bracket for lights	
7	251476801577	8	Pipe for hose duct	
8	251476802131	3	Angle hose bracket	
9	251476801863	1	Hose bracket	
	251476801862	2	Side profile for hose bracket, middle	
	251476801818	2	Top/bottom for hose bracket	
10	251476801965	1	Hose bracket for 11 hoses	
11	251476801963	1	Hose bracket for 13 hoses	
12	251476801961	1	Hose bracket for 14 hoses	
13	251476801959	1	Hose bracket for 17 hoses	
14	251476801957	1	Hose bracket for 19 hoses	
15	251476641180	1	Locking rod	

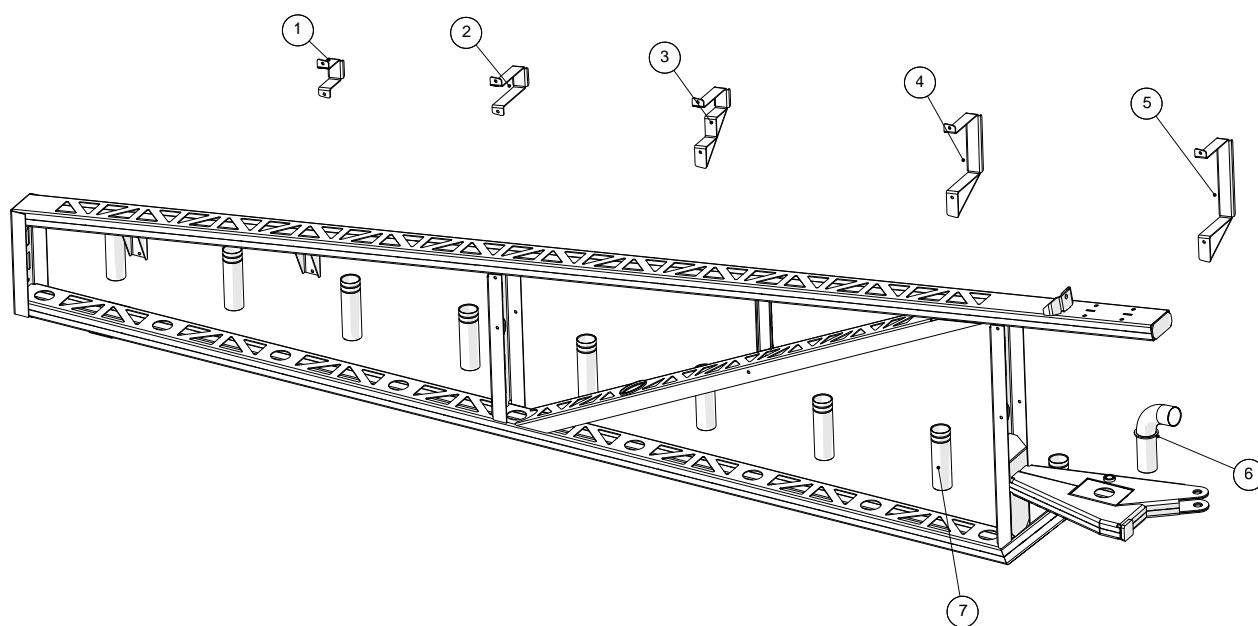


Date: 18/6-2015

10

Dribble bar 30m
Model year 2009 - 2014

Outer - right

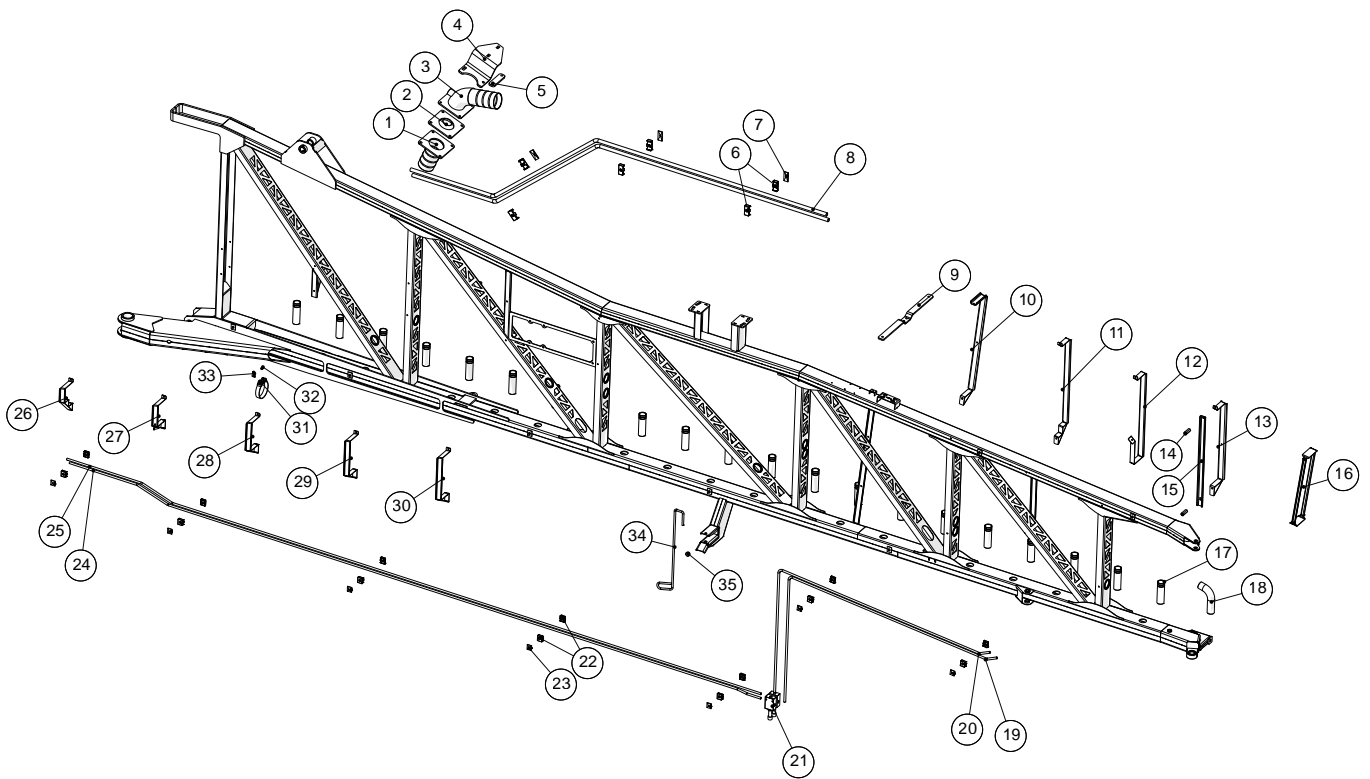


Dribble bar 30m Model year 2009 - 2014	Date: 18/6-2015
	10

Outer - right				
Pos. no.	Item no.	Pcs.	Description	Note
1	251476801971	1	Hose bracket for 1 hose	
2	251476801970	1	Hose bracket for 2 hoses	
3	251476801967	1	Hose bracket for 3 hoses	
4	251476801944	1	Hose bracket for 6 hoses	
5	251476801942	1	Hose bracket for 8 hoses	
6	251476802131	1	Angle hose bracket	
7	251476801577	9	Pipe for hose duct	



Inner - left



Dribble bar 30m
Model year 2009 - 2014

Date: 18/6-2015

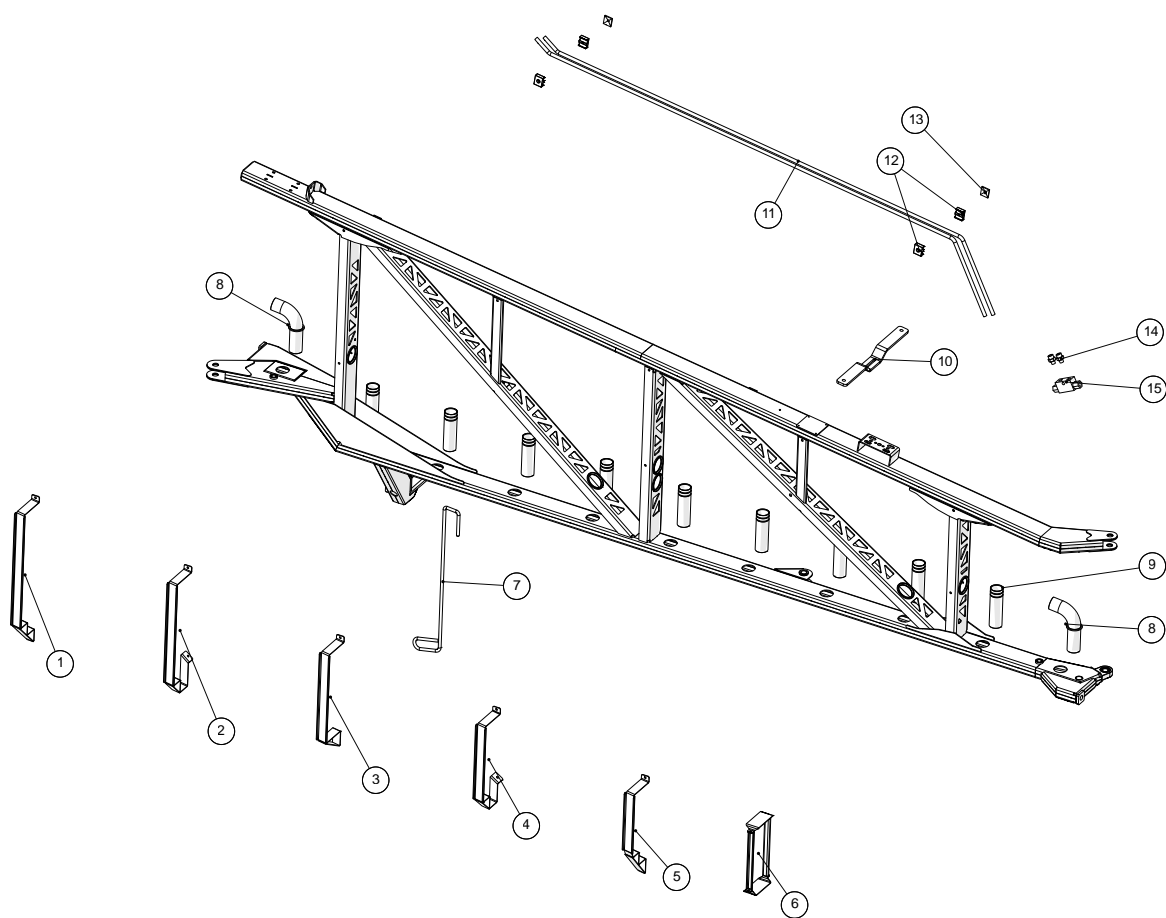
11

Inner - left

Pos. no.	Item no.	Pcs.	Description	Note
1	251476704680	1	Hose connector	
2	251476704710	1	Sleeve for hose connection	4" hose
2	251476802387	1	Sleeve for hose connection	5" hose
3	251476704670	1	Elbow for transducer	
4	251476802066	1	Bracket for supply hose to left distributor	
5	251476802068	1	Backplate for bracket for supply hose	
6	51000122-01	6	Pipe clamp - double 22mm	
7	51000122-03	3	Cover plate - double 22mm	
8	251476802052	2	Hydraulic pipe for distributor	
9	2514801580	1	Bracket for lights	
10	251476801838	1	Hose bracket for 28 hoses	
11	251476801822	1	Hose bracket for 25 hoses	
12	251476801842	1	Hose bracket for 24 hoses	
13	251476801830	1	Hose bracket for 22 hoses	
14	251476801995	2	Spacer for hose bracket	
15	251476801899	1	Backplate for hose bracket 22 hoses	
16	251476801864	1	Hose bracket	
	251476801819	2	Side profile for hose bracket, middle	
	251476801818	2	Top/bottom for hose bracket	
17	251476801577	21	Pipe for hose duct	
18	251476802131	1	Angle hose bracket	
19	251476801785	1	Hydraulic pipe 2	
20	251476801784	1	Hydraulic pipe 1	
21		1		
22	51000112-01	14	Pipe clamp - double 12mm	
23	51000112-03	7	Cover plate - double 12mm	
24	251476801790	1	Hydraulic pipe	
25	251476801886	1	Hydraulic pipe	
26	251476801861	1	Hose bracket for 5 hoses	
27	251476802079	1	Hose bracket for 6 hoses	
28	251476801834	1	Hose bracket for 8 hoses	
29	251476801866	1	Hose bracket for 10 hoses	
30	251476801859	1	Hose bracket for 12 hoses	
31	16200734	1	Hose clamp 113-121mm	
32	251476802082	1	Spacer	
33	251476802081	1	Bracket	
34	251476641180	1	Locking rod	
35	251476801579	1	Vibration absorber 25x15 M8	



Middle - left



Dribble bar 30m Model year 2009 - 2014	Date: 18/6-2015
	12

Middle - left				
Pos. no.	Item no.	Pcs.	Description	Note
1	251476801825	1	Hose bracket for 19 hoses	
2	251476801845	1	Hose bracket for 17 hoses	
3	251476801831	1	Hose bracket for 14 hoses	
4	251476801853	1	Hose bracket for 13 hoses	
5	251476801828	1	Hose bracket for 11 hoses	
6	251476801863	1	Hose bracket	
	251476801862	2	Side profile for hose bracket, middle	
	251476801818	2	Top/bottom for hose bracket	
7	251476641180	1	Locking rod	
8	251476802131	3	Angle hose bracket	
9	251476801577	8	Pipe for hose duct	
10	251476802065	1	Bracket for lights	
11	251476801788	2	Hydraulic pipe 5	
12	51000112-01	4	Pipe clamp - double 12mm	
13	51000112-03	2	Cover plate - double 12mm	
14	503373063	2	Reduction 1/4" - 12mm	
15	2514702393	1	Control valves 3/8" double	

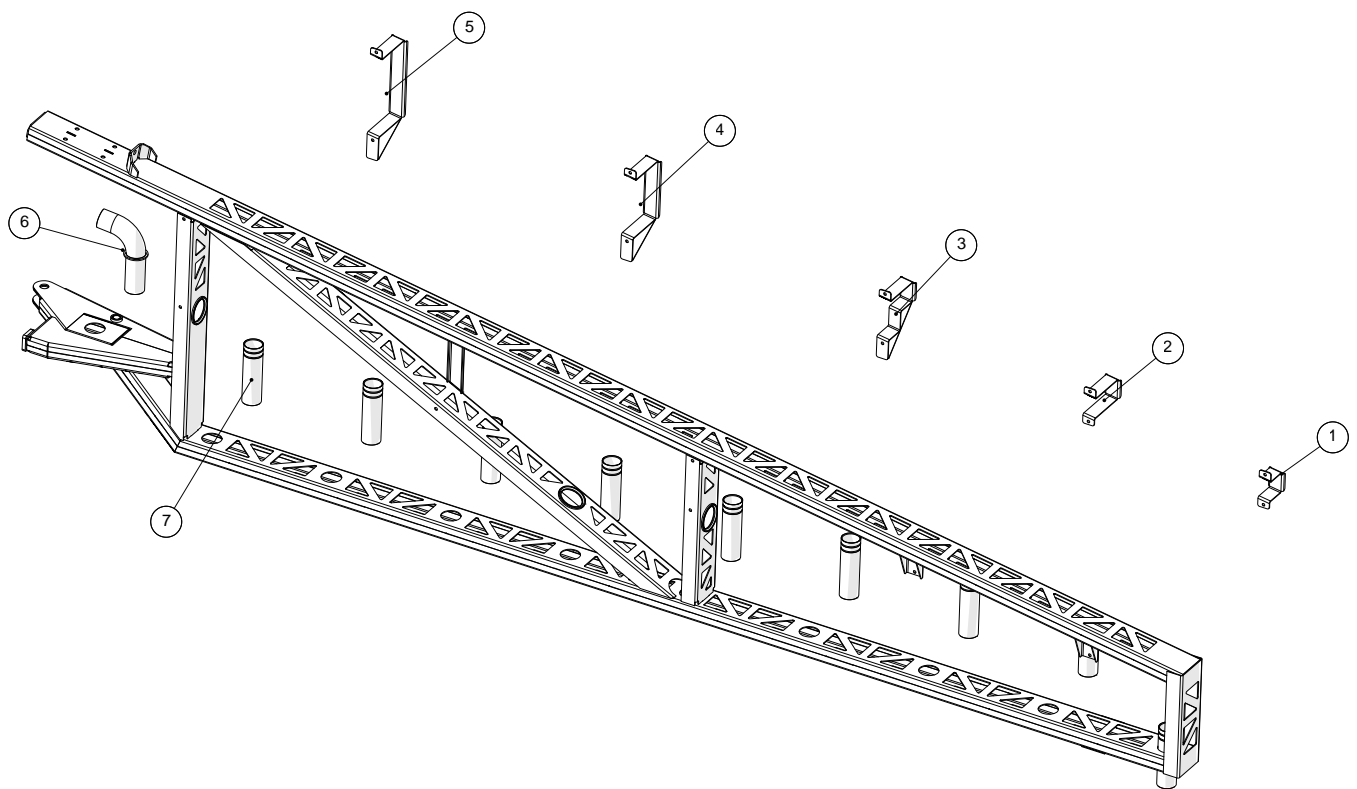


Date: 18/6-2015

13

Dribble bar 30m
Model year 2009 - 2014

Outer - left

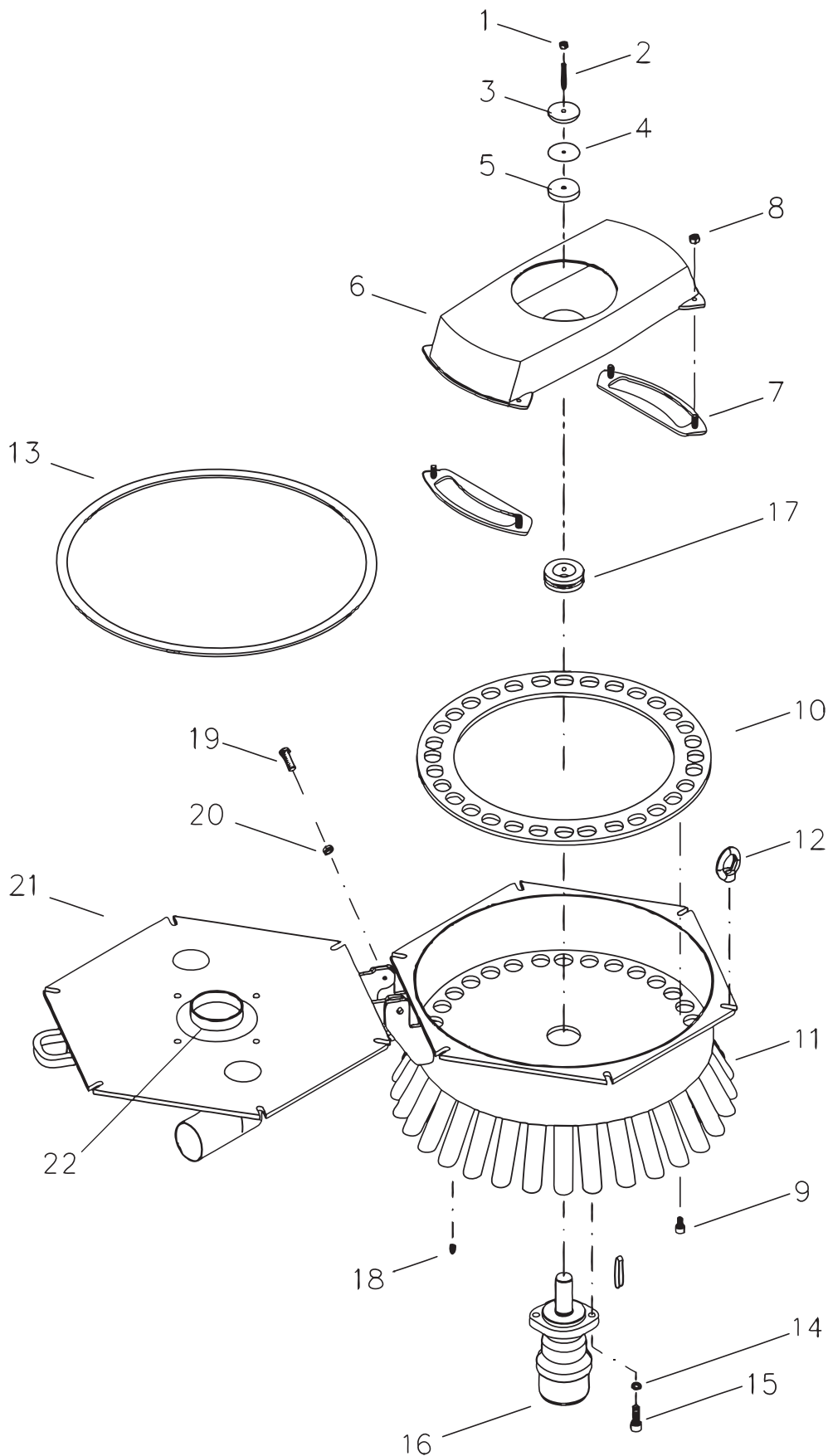


Dribble bar 30m Model year 2009 - 2014	Date: 18/6-2015
	13

Outer - left				
Pos. no.	Item no.	Pcs.	Description	Note
1	251476801870	1	Hose bracket for 1 hoses	
2	251476801872	1	Hose bracket for 2 hoses	
3	251476801836	1	Hose bracket for 3 hoses	
4	251476801857	1	Hose bracket for 6 hoses	
5	251476801834	1	Hose bracket for 8 hoses	
6	251476802131	1	Angle hose bracket	
7	251476801577	9	Pipe for hose duct	



Distributor - DOSIMAT

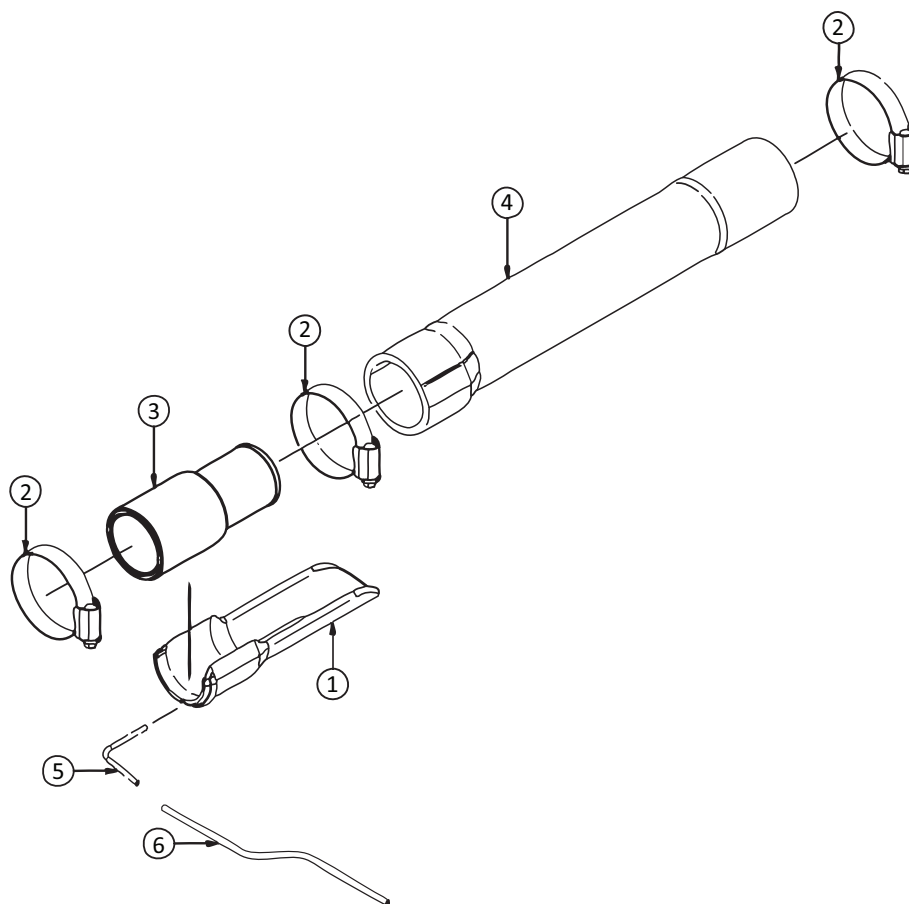


Dribble bar 30m Model year 2009 - 2014	Date: 18/6-2015
	14

Distributor - DOSIMAT				
Pos. no.	Item no.	Pcs.	Description	Note
1		1	Hex. nut M8 V2A, self-locking	
2	25130700	1	Set screw M8x60 V2A	
3	2119NUS001	1	Pretension disk	
4	2119DFD044	1	Rubber disk t=1	
5	2119TGD004	1	Rubber disk t=10	
6	2119TRO005N2	1	Rotor straight (NW)	30m dribble bar
7	2119TMS028	2	Knife, complete (NW)	30m dribble bar
8		4	Hex. nut M10 (included in Pos. no. 7)	
9		8	Cap screw M10x16	
10	2119TFL014	1	Cutting ring	30m dribble bar
11	2119TGE005N2	1	Housing	30m dribble bar
12	25130770	8	Lifting-eye nut M12	
13	2119DFD021	2,3m	Gasket (yard goods)	30m dribble bar
14		2	Washer M12	
15		2	Hex. head cap screw M12x35	
16	13631510243	1	Hydraulic motor OMR100 Ø32	
17	2119DFD083	1	Gasket	
18	2119NKS001	1	Grease nipple	
19		2	Hex. head cap screw M12x35	
20		2	Hex. nut M12, self-locking	
21	2119TDE012	1	Cover	30m dribble bar
22	2119GSA128	1	Connection DN100	4" hose
	2119GSA129		Connection DN150	5" hose
	2119DFD018	1	Gasket	
		4	Stud M12x35 DIN938	
		4	Hex. nut M12, self-locking	



Flow control

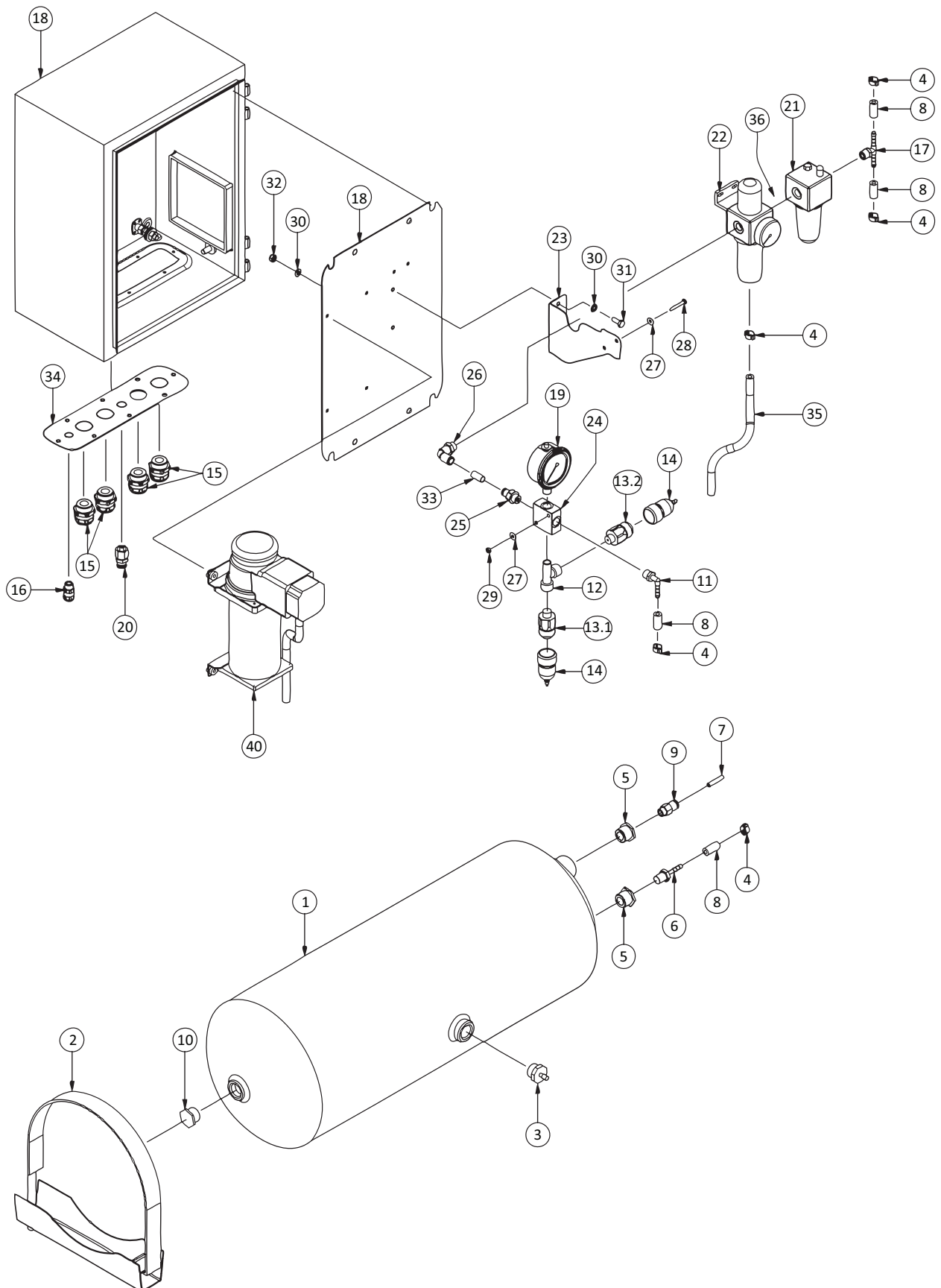


Dribble bar 30m Model year 2009 - 2014	Date: 18/6-2015
	15

Flow control				
Pos. no.	Item no.	Pcs.	Description	Note
1	2119KFC001TR	1	CFC hose switch off, right	
1	2119KFC001TL	1	CFC hose switch off, left	
2	16200672	3	Hose clamp 38-50mm	
3	251476802188	1	Connector for hose switch off	
4	2119TSC005	1	Hose DN40/DN40	
5	2119HRS227	1	CFC filling tube, exterior diameter 3mm	
6	2119HFC073	1	Hose, blue for flow control	



Flow control - Pneumatic unit



Dribble bar 30m
Model year 2009 - 2014

Date: 18/6-2015

16

Flow control - Pneumatic unit

Pos. no.	Item no.	Pcs.	Description	Note
1	APV.012	1	Air Tank 30L	
2	APV.014	2	Hose Clamp	
3	APV.015	1	drain Valve	
4	NSS.071	5	Hose clamp	
5	NGE.324	2	Reducer M22x1,5→R1/4"	
6	NGE.327	1	Screw spout G1/4" Straight	
7	HSC.078	2	Pneumatic hose Ø6mm polyurethane	
8	HSC.077	4	Air hose DN6x3	
9	NGE.325	1	Fitting G1 / 4 "check valve function	
10	NGE.329	1	Plug M22x1, 5	
11	NGE.338	1	Elbow Threaded nozzle G1/4" polyamide	
12	NGE.339	1	L- piece G1/4" Tapered	
13.1	SDS.041	1	Pressure switch 1-10 bar	opener set to 6.5 bar
13.2	SDS.041	1	Pressure switch 1-10 bar	opener set to 4 bar
14	SDS.030	2	Protective cap	
15	NGE.331	4	Cable gland M25x1.5 polyamide	
16	NGE.333	1	Cable gland M12x1.5 polyamide	
17	NGE.323	1	T Threaded nozzle G1/4"	
18	ESK.001	1	Cabinet AE 1034	
19	SMD.002	1	Pressure gauge 0-10 bar	
20	NGE.337	1	Fitting straight	
21	APV.023	1	Lubricator ¼ "	
22	APV.013	1	Filter regulator - Manometer	Set to 1.5 bar
23	TFL.940	1	Retaining plate	
24	NGE.349	1	Cross piece G1 / 4 "female	
25	NGE.335	1	Fitting G1/4" Straight	
26	NGE.509	1	Fitting G1/4" elbow	
27	NUS.086	4	Washer 4,3x1x12 DIN9021	
28	NSK.186	2	Bolt M4x30 DIN931	
29	NMS.025	2	Nut M4 DIN934-8	
30	NUS.002	4	Washer B 6,4x12x1,6 DIN125	
31	NSK.178	2	Hex bolt M6x16 DIN933	
32	NMK.003	2	Lock nut M6 DIN985-8	
33	HSC.080	1	Pneumatic hose Ø10mm outer	
34	RFL.1448	1	Plate	
35	HSC.077	1	Air hose DN6x3	
36	APV.025	1	Clutch Kit Pneumatic	
40	APV.019	1	Compressor 450 C 24 V; 14 A	
	NGE.370	(1)	Hose	(included in the compressor)

