

AGM Screw Press

**Spare Parts for
HMR250K, HMR250S and TSR250
Model year 2014 - 2018**

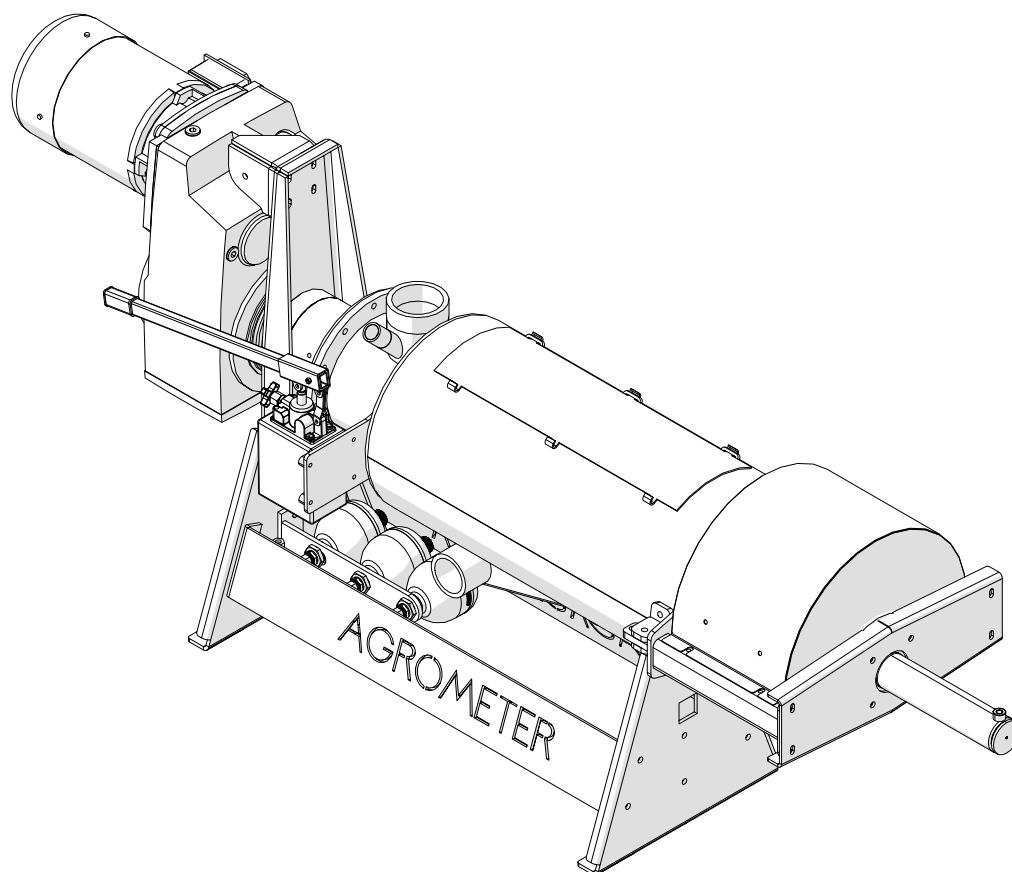
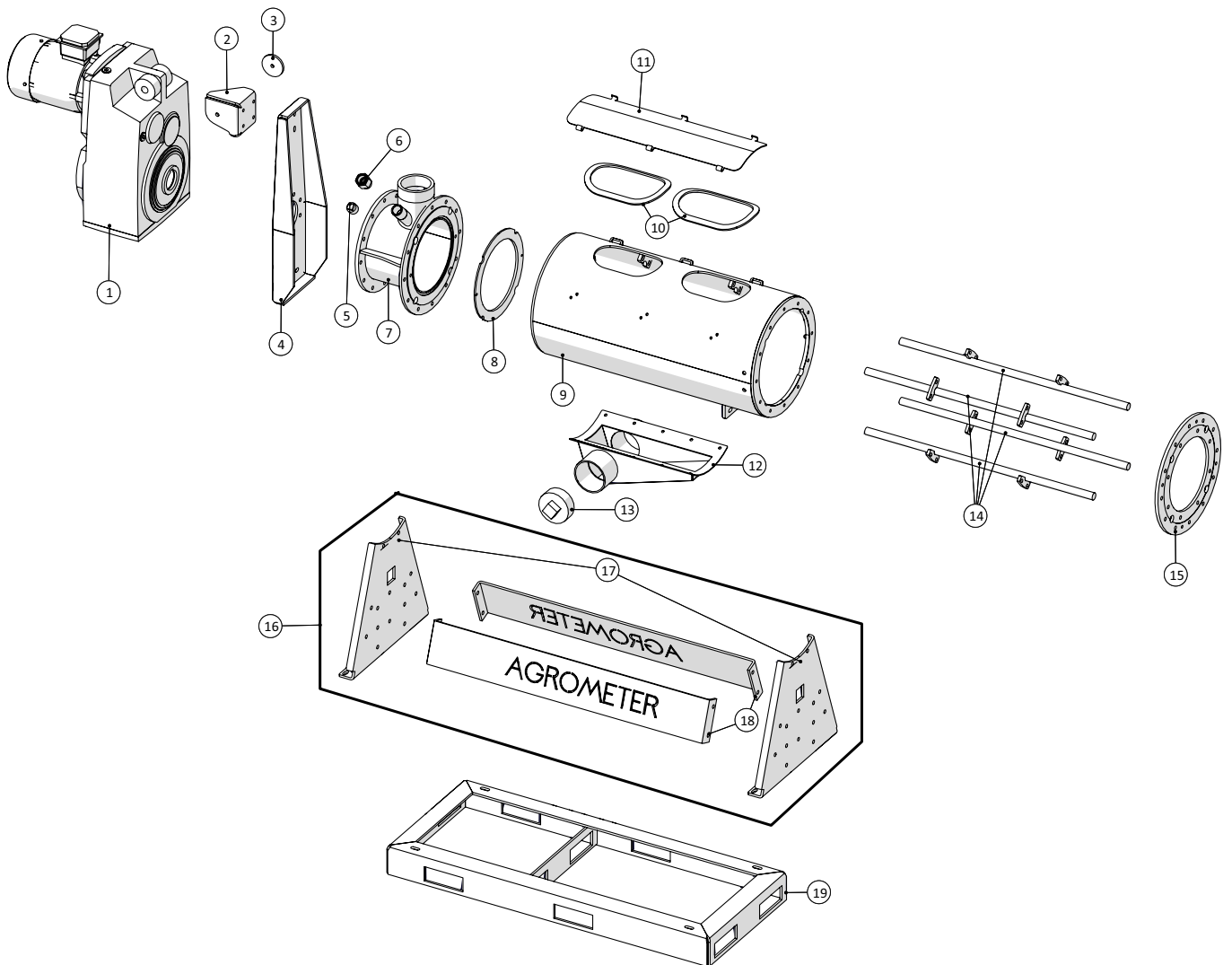


Table of Contents

Main parts.....	3
Bottom bearing.....	4
Outlet.....	5
Manual pump.....	6
Hydraulic accumulator unit.....	7
Pig.....	8
Cow.....	9
Cow - Outlet.....	10
Cow - Pressure plate.....	11
Dry matter.....	12
Dry matter - Outlet.....	13
Dry matter - Pressure plate.....	14
Gear - SK6382ABG132MH4.....	15



Main parts



AGM Screw Press HMR250K, HMR250S and TSR250
Model year 2014 - 2018

Date: 31/5-2016

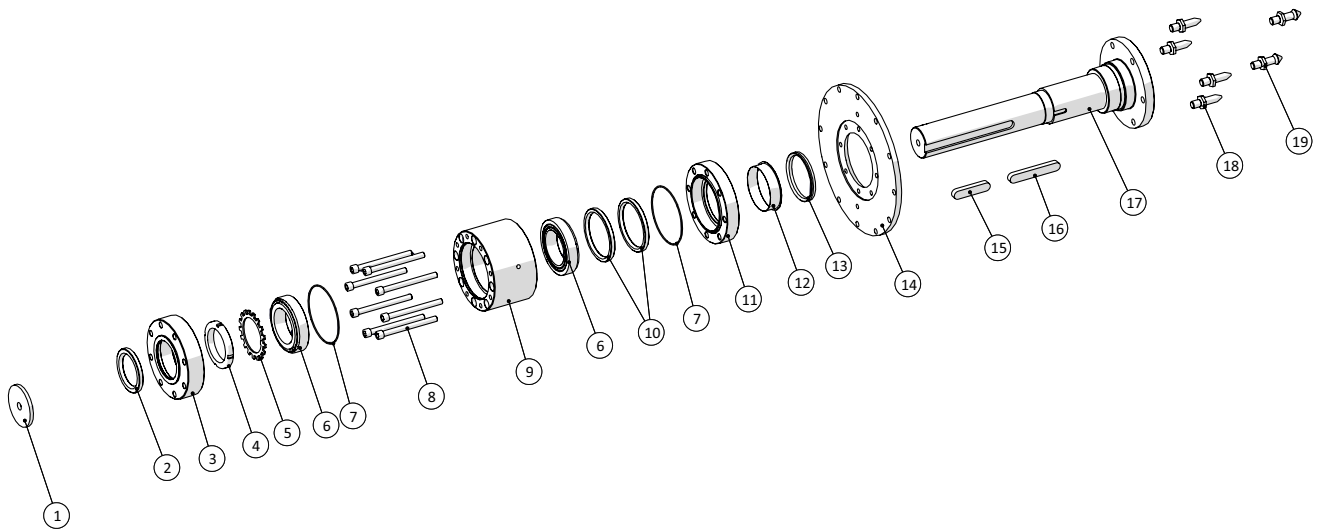
3

Main parts

Pos. no.	Item no.	Pcs.	Description	Note
1	2448SK6382ABG132MH4	1	Parallel shaft gear 7.5KW 24 rpm.	
2	25250300137	1	Stop for engine	
3	25250300138	1	Washer for lever arm	
4	25250300136	1	Retaining plate for engine	
5	000291408	1	Plug No.291 galv. 1"	
6	25250300577	1	Socket	
7	25250300480	1	Inlet	
8	25250300504	1	Guide	
9	25250300484	1	Filter housing	
10	25250300511	2	Gasket	
11	25250300253	1	Inspection hatch	
12	25250300488	1	Reject funnel	
13	000291416	1	Plug No.291 galv. 4"	
14	25250300490	4	Guide rail	
15	25250300417	1	Guide ring for outlet	
16	25250300343	1	Base	
17	25250300342	2	Base - end profile	
18	25250300340	2	Base - between profile	
19	25250200189	1	Baseframe	Optional



Bottom bearing



AGM Screw Press HMR250K, HMR250S and TSR250
Model year 2014 - 2018

Date: 31/5-2016

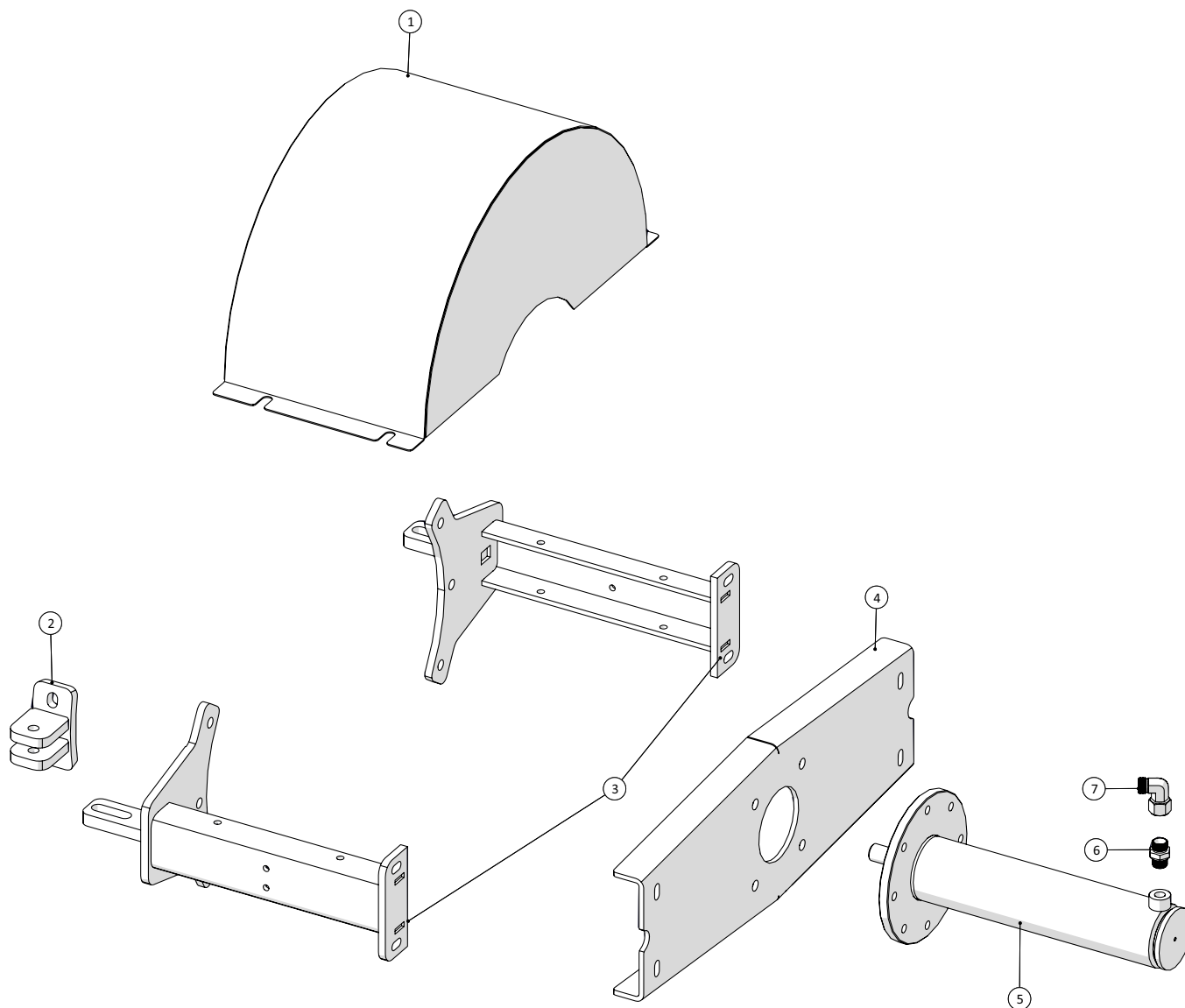
4

Bottom bearing

Pos. no.	Item no.	Pcs.	Description	Note
1	25240024	1	Simmering 72x100x10 nitrile	
2	25250300126	1	End cover for bearing	
3	1514003780118	1	Oiler H1	
4	25250300125	1	Lock nut KM16 M80x2	
5	25250300583	1	Circlip MB16 reinforced	
6	193032016	2	Thrust bearing 32016	
7	25240120	2	O-ring 128x2,5 nitrile 70 shore	
8	13278512135	8	Hexagon bolt CH 12x140 A2	
9	25250300123	1	Bearing bracket for bottom bearing	
10	25240030	2	Simmering A 100X120X10 FPM	
11	25250300127	1	Sealing cap for bearing	
12	23624018	1	SPEEDI SLEEVE 99393	
13	25240035	1	VA 100 Ring	
14	25250301134	1	Flange	
15	25250300129	1	Shaft for new engine	
16	2501790486	1	Parallel key A20x12x125	
17	25250301177	4	Bolt for auger short	
18	25250301194	2	Pin	



Outlet

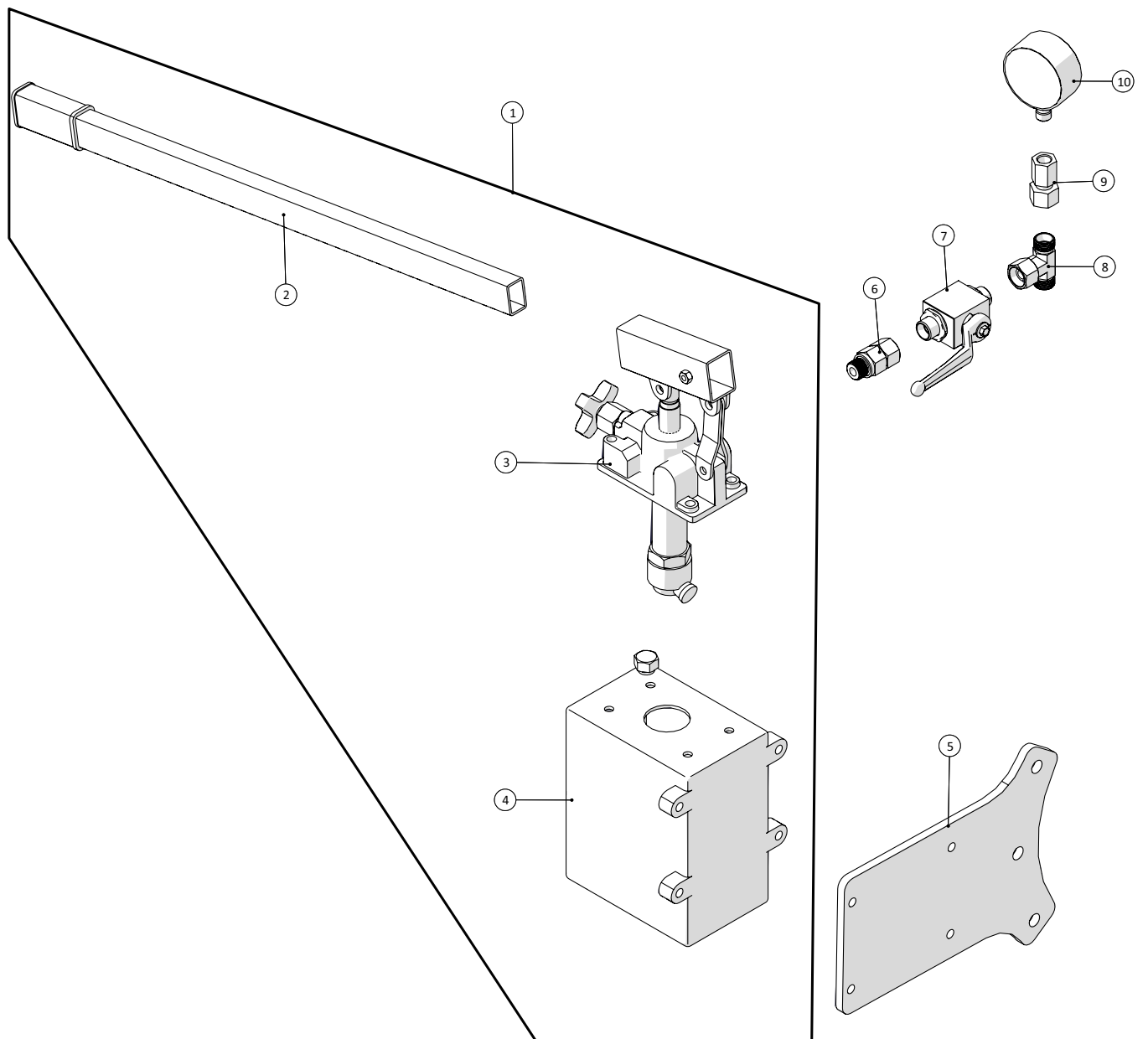


AGM Screw Press HMR250K, HMR250S and TSR250 Model year 2014 - 2018	Date: 31/5-2016
	5

Outlet				
Pos. no.	Item no.	Pcs.	Description	Note
1	25250300272	1	Screen	
2	25250300194	1	Closing system	
3	25250300295	2	Side bracket	
4	25250300318	1	Plate for cylinder	
5	25250050	1	Cylinder	
6	503373063	1	Straight coupling L12x1/4"	
7	503372992	1	Adjustable male stud elbow L12	



Manual pump



AGM Screw Press HMR250K, HMR250S and TSR250
Model year 2014 - 2018

Date: 31/5-2016

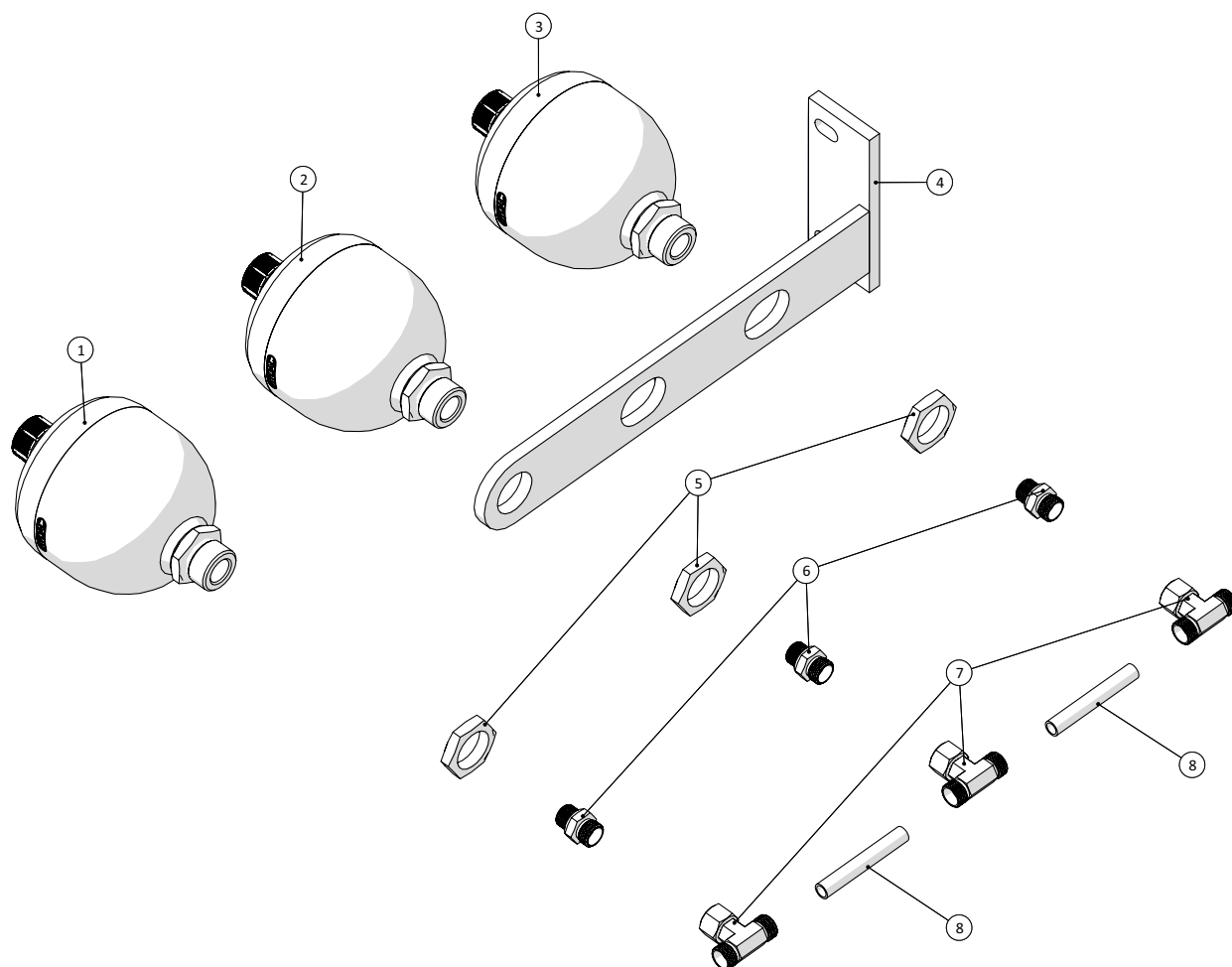
6

Manual pump

Pos. no.	Item no.	Pcs.	Description	Note
1	25250301083	1	Manual pump single acting cpl.	
	25250301083-1		Seal kit for manual pump	
2	25250301097	1	Lever for manual pump	
3	25250301096	1	Pump for manual pump	
4	25250301095	1	Tank for manual pump	
5	25250300485	1	Hydraulic mounting plate	
6	5033063665	1	Male stud coupling L12x $\frac{3}{8}$ "	
7	2525BKH12L	1	Ball valve M18x1,5- \varnothing 12 BHK 12L	
8	503374577	1	Adjustable equal tee L12	
9	25240215	1	Pressure gauge coupling	
10	131800653	1	Glycerin manometer 0-100BAR $\frac{1}{4}$ "x63mm	



Hydraulic accumulator unit

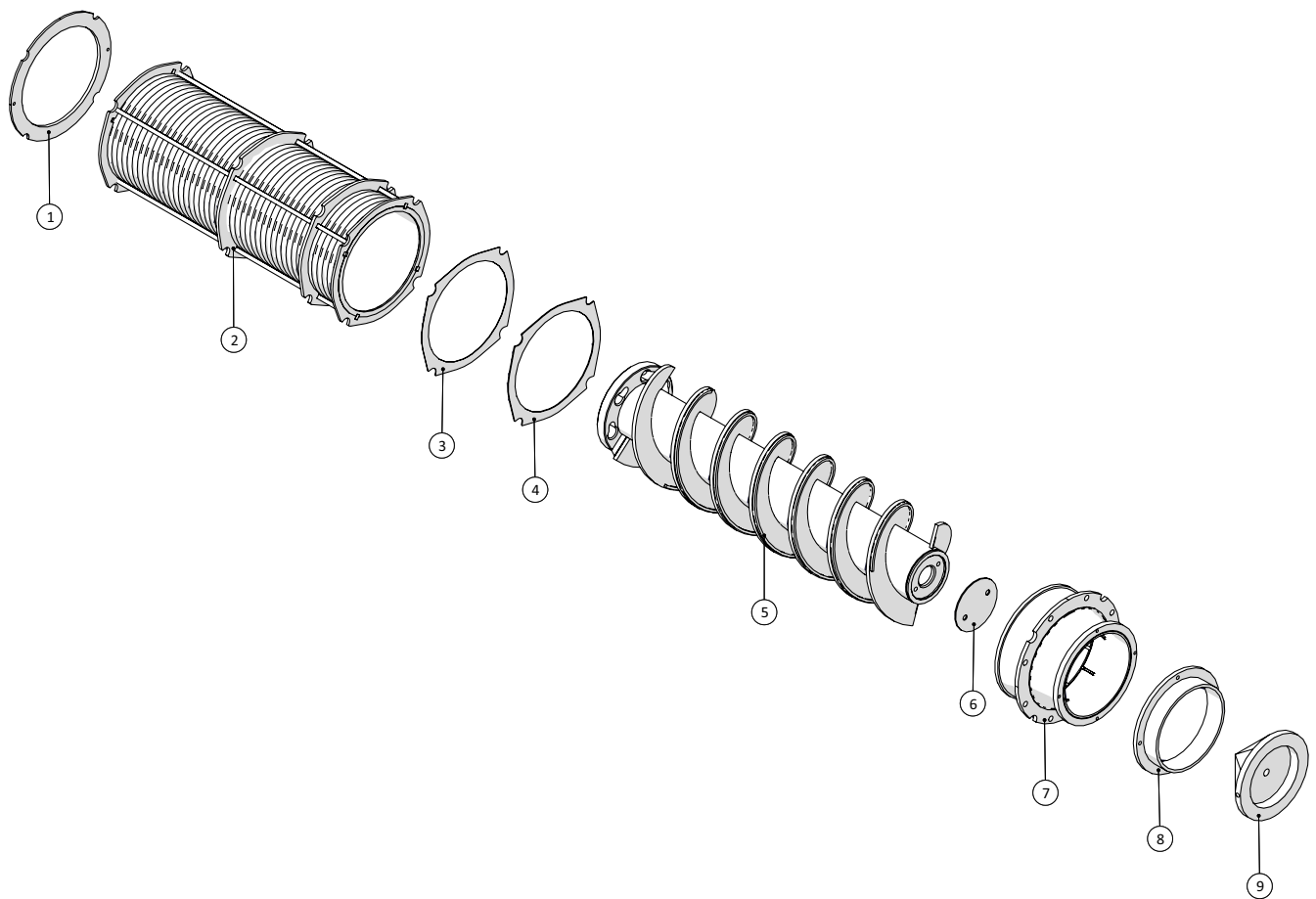


AGM Screw Press HMR250K, HMR250S and TSR250 Model year 2014 - 2018	Date: 31/5-2016
	7

Hydraulic accumulator unit				
Pos. no.	Item no.	Pcs.	Description	Note
1	25240202	1	Accumulator SBO210 075EI 40bar	Location is irrelevant and may be different. Please specify item no. From the label for correct pressure.
2	25240201	1	Accumulator SBO210 075EI 20bar	Location is irrelevant and may be different. Please specify item no. From the label for correct pressure.
3	25240200	1	Accumulator SBO210 075EI 5bar	Location is irrelevant and may be different. Please specify item no. From the label for correct pressure.
4	25250301069	1	Accumulator bracket	
5	25240300	3	Lock nut M33x1,5	
6	503373065	3	Male stud coupling L12x½"	
7	503374577	3	Adjustable equal tee L12	
8	13741215	2x0,15m	Hydraulic pipe Ø12x1,5	



Pig



AGM Screw Press HMR250K, HMR250S and TSR250
Model year 2014 - 2018

Date: 31/5-2016

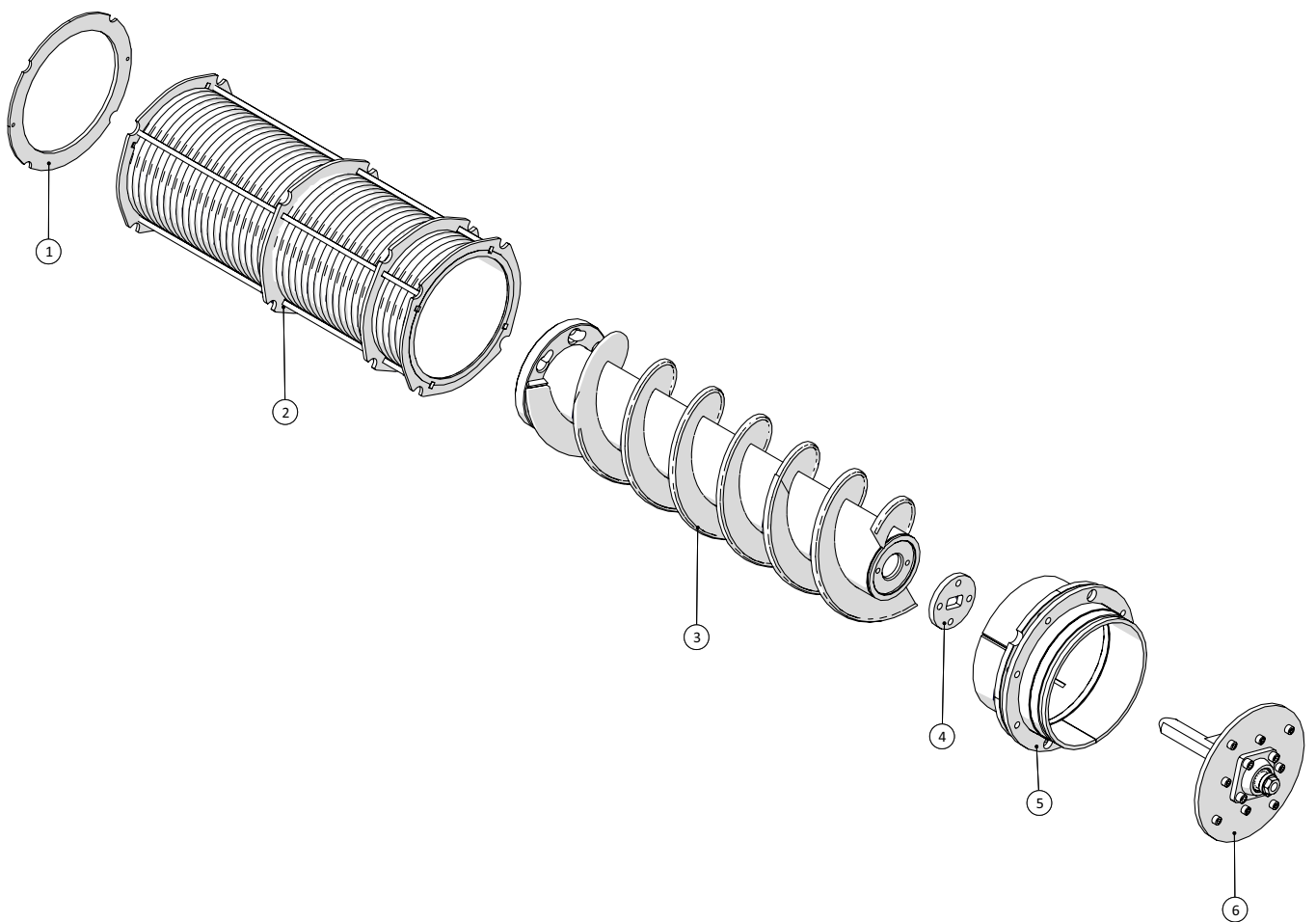
8

Pig

Pos. no.	Item no.	Pcs.	Description	Note
1	25250300504	1	Guide, bottom	
2	25250300018	1	Filter Pig 500 μ	
3	25250300074-1	1	Sealing ring filter - 1mm	
4	25250300074-2	1	Sealing ring filter - 2mm	
5	25250300450	1	Auger Pig (w/133mm centerpipe)	
6	25250300497	1	Blind plate 110mm	
7	25250300447	1	Top, Pig	
8	25250300522	1	Extension of outlet	
9	25250301136	1	Cone	



Cow



AGM Screw Press HMR250K, HMR250S and TSR250
Model year 2014 - 2018

Date: 31/5-2016

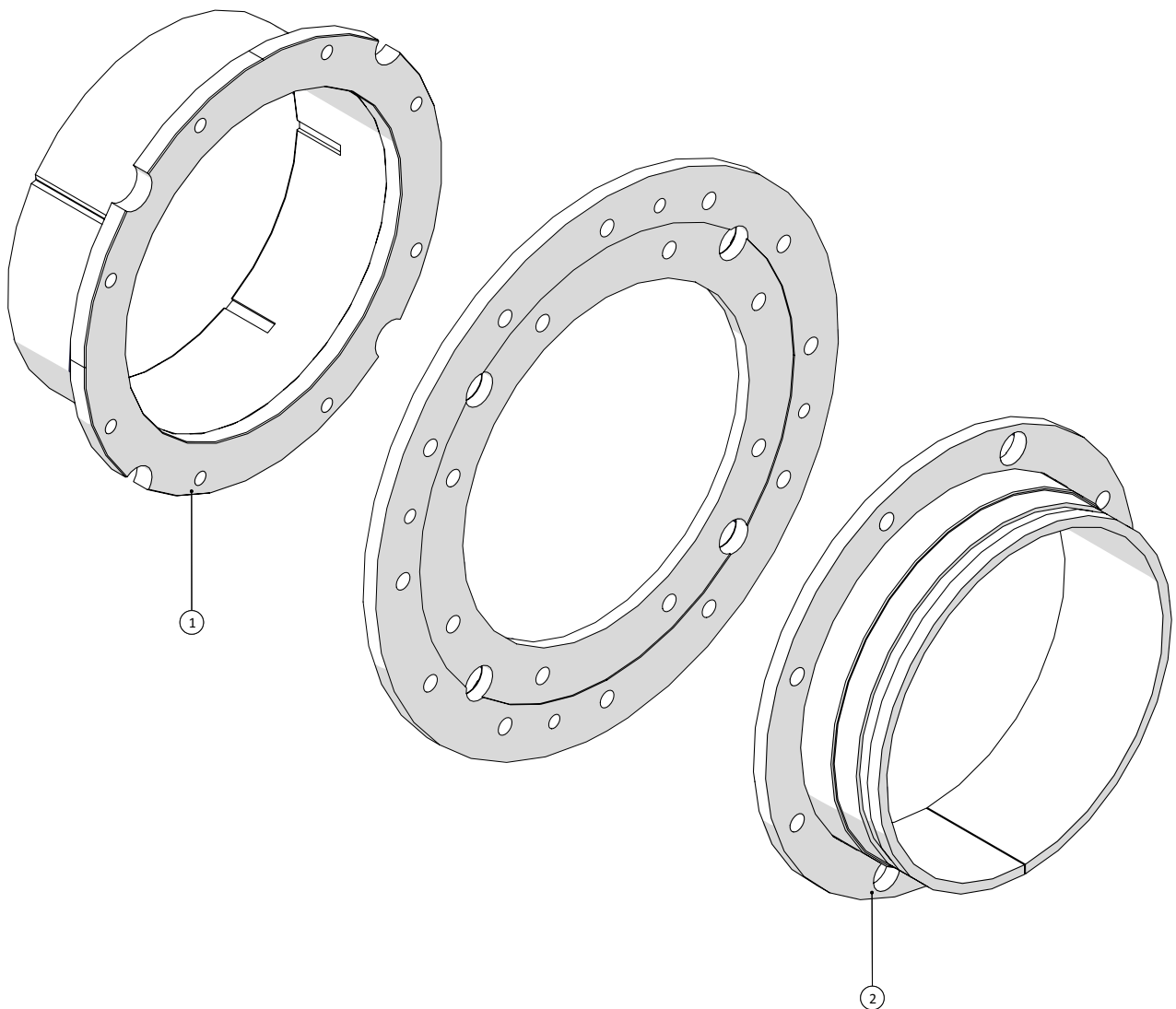
9

Cow

Pos. no.	Item no.	Pcs.	Description	Note
1	25250300504	1	Guide, bottom	
2	25250300018	1	Filter 500 μ	
3	25250300269	1	Auger stainless steel, cow (w/133mm center-pipe)	
4	25250300494	1	Guide for Spear	
5	25250300520	1	Outlet complete	
6	25250301086	1	Pressure plate, complete	



Cow - Outlet

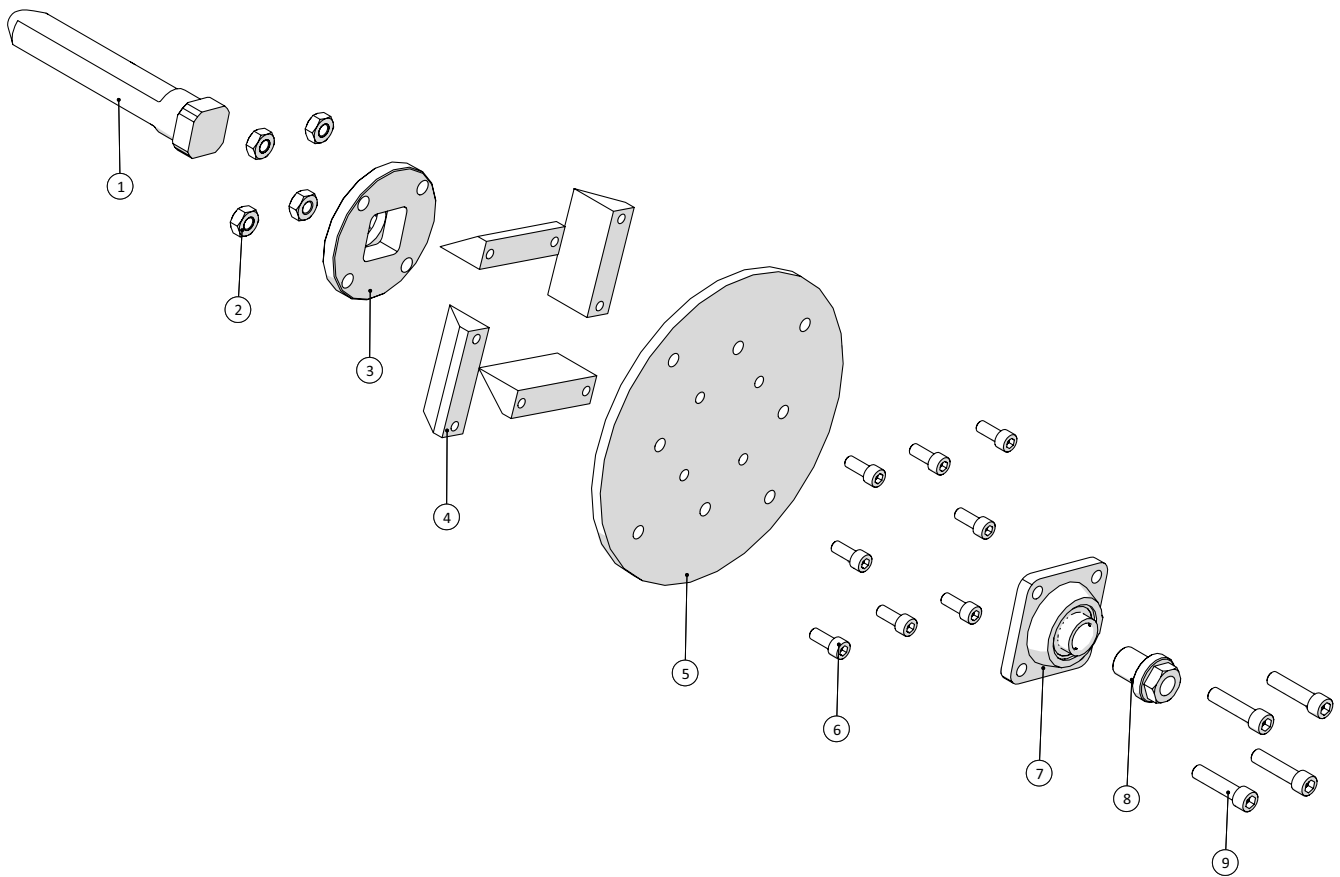


AGM Screw Press HMR250K, HMR250S and TSR250 Model year 2014 - 2018	Date: 31/5-2016
	10

Cow - Outlet				
Pos. no.	Item no.	Pcs.	Description	Note
	25250300520	1	Outlet complete	
1	25250300516	1	Guide for top	
2	25250300440	1	Outlet	



Cow - Pressure plate

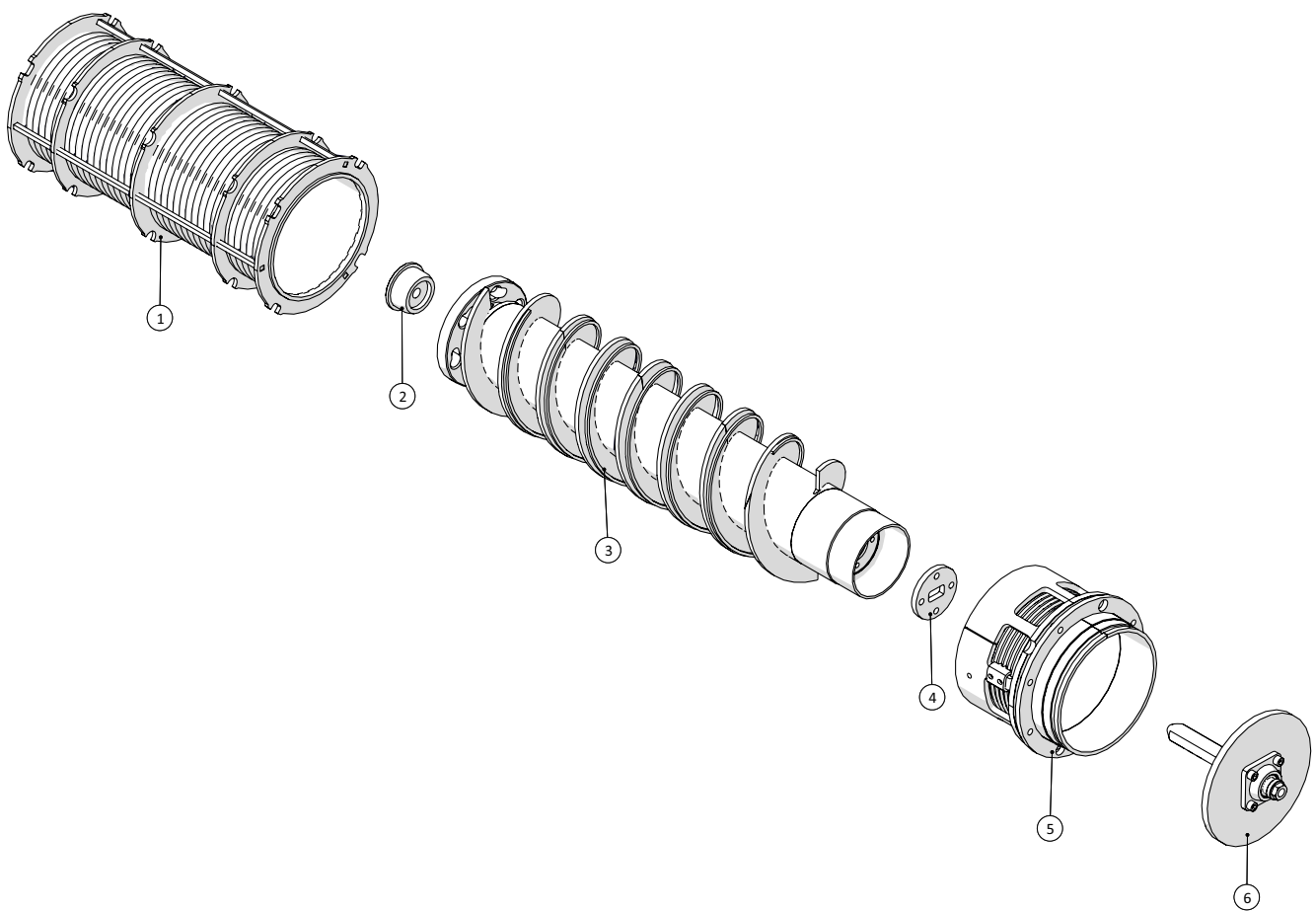


AGM Screw Press HMR250K, HMR250S and TSR250 Model year 2014 - 2018	Date: 31/5-2016
	11

Cow - Pressure plate				
Pos. no.	Item no.	Pcs.	Description	Note
	25250301086	1	Pressure plate, complete	
1	25250300491	1	Spear / Drive shaft	
2	132702112	4	Nut M12 A2	
3	25250301193	1	Flange for spear	
4	25250301195	4	Blade	
5	25250301197	1	Flange	
6	13278510025	8	Socket cap screw M10x25 A2	
7	25240080	1	Flange SF205 stainless steel	
8	25250301196	1	Bearing nut / shaft	
9	13278512050	4	Socket cap screw M12x50 A2	



Dry matter

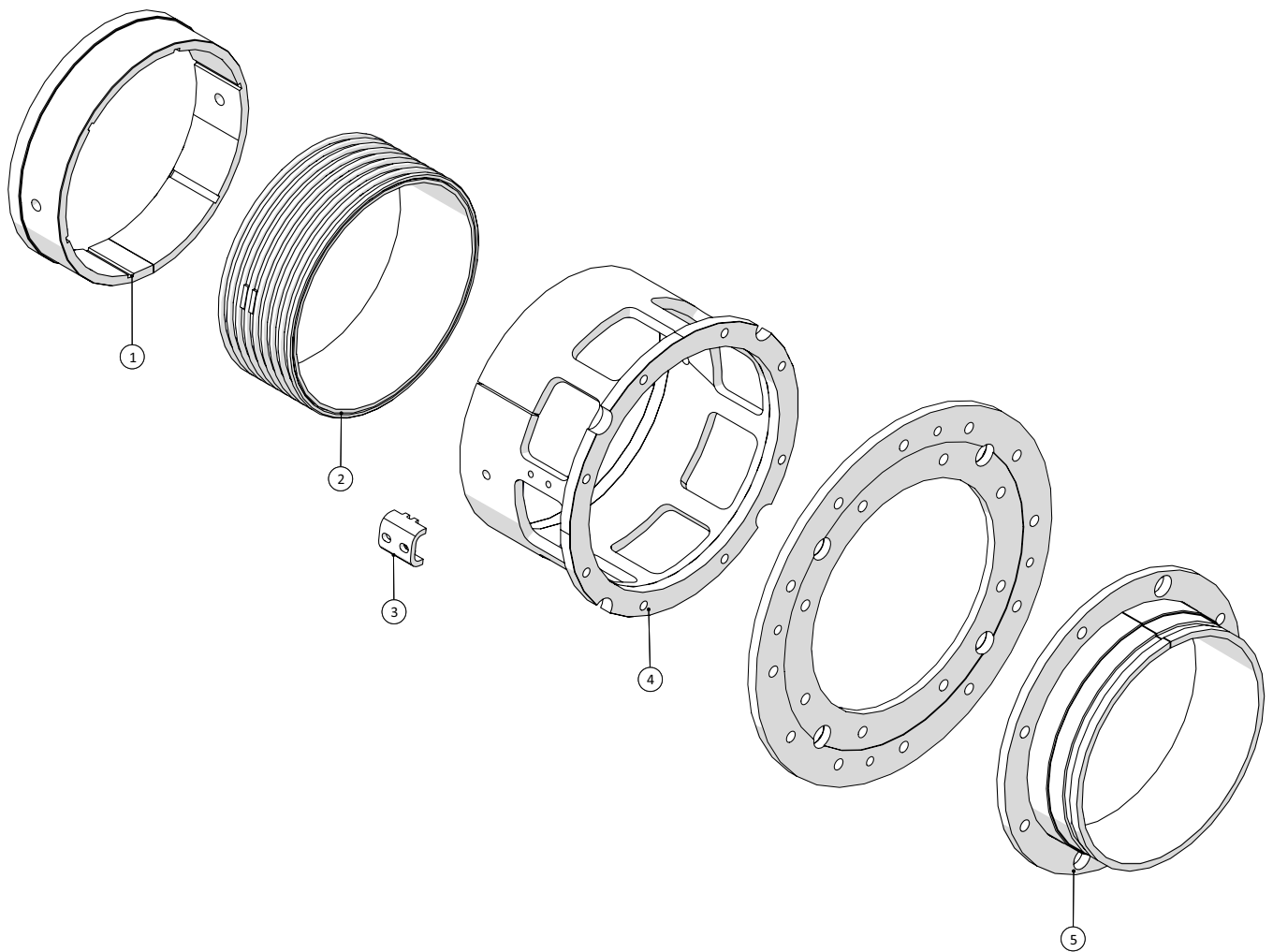


AGM Screw Press HMR250K, HMR250S and TSR250 Model year 2014 - 2018	Date: 31/5-2016
	12

Dry matter				
Pos. no.	Item no.	Pcs.	Description	Note
1	25250300471	1	Filter with support collar 750µ	
2	25250300389	1	Guide for auger	
3	25250300356	1	Auger Dry matter (w/159mm centerpipe)	
4	25250300494	1	Guide for Spear	
5	25250300436	1	Top complete	
6	25245030	1	Pressure plate, complete	



Dry matter - Outlet

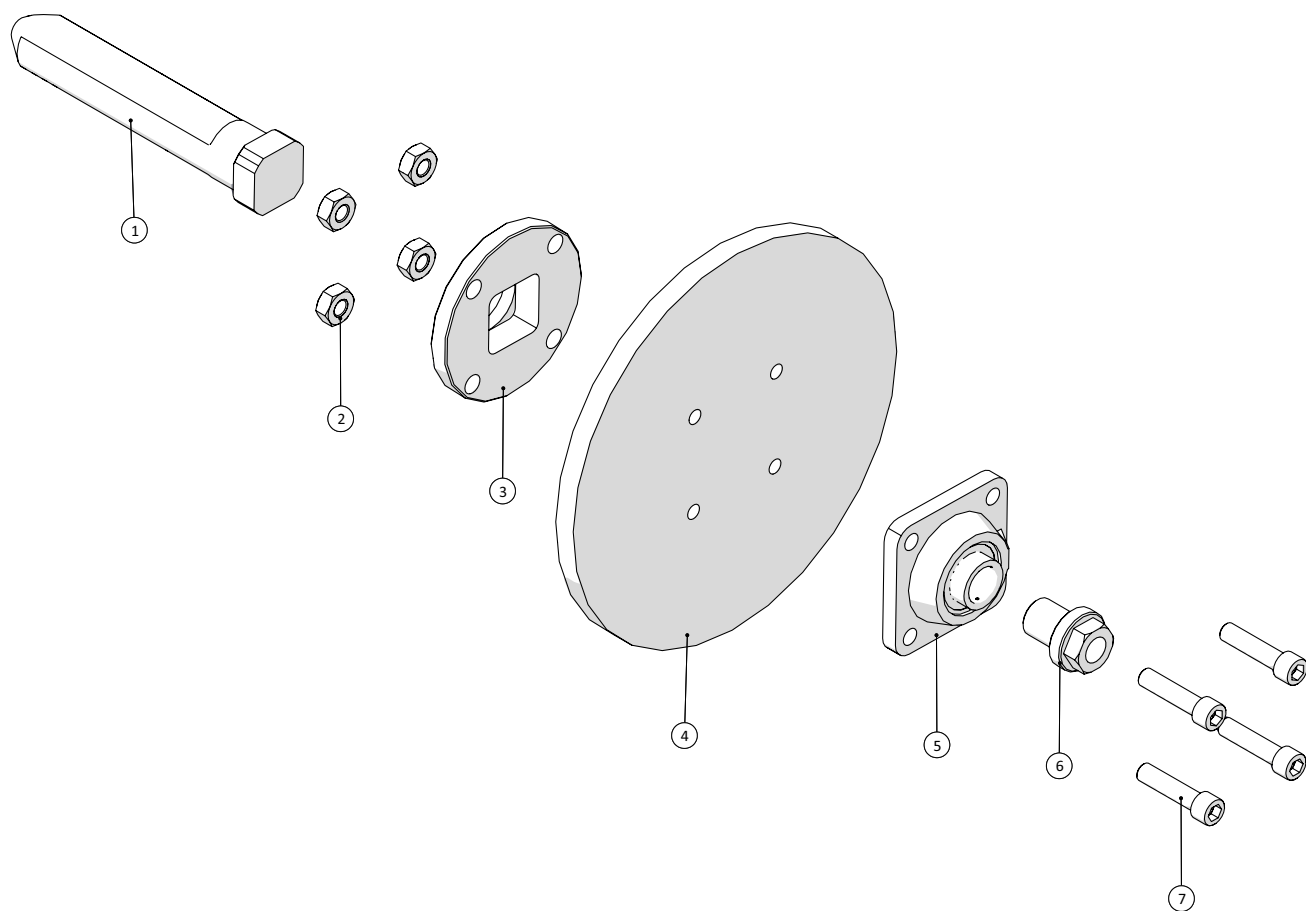


AGM Screw Press HMR250K, HMR250S and TSR250 Model year 2014 - 2018	Date: 31/5-2016
	13

Dry matter - Outlet				
Pos. no.	Item no.	Pcs.	Description	Note
	25250300436	1	Top complete	
1	25250300427	1	Wear lining filter collar	
2	25250300391	1	Top filter	
3	25250300473	1	Lock for top filter	
4	25250300420	1	Guide for top	
5	25250300440	1	Outlet	



Dry matter - Pressure plate



AGM Screw Press HMR250K, HMR250S and TSR250
Model year 2014 - 2018

Date: 31/5-2016

14

Dry matter - Pressure plate

Pos. no.	Item no.	Pcs.	Description	Note
	25245030	1	Pressure plate, complete	
1	25250300491	1	Spear / Drive shaft	
2	132702112	4	Nut M12 A2	
3	25250301193	1	Flange for spear	
4	25250300098	1	Flange	
5	25240080	1	Flange SF205 stainless steel	
6	25250301196	1	Bearing nut / shaft	
7	13278512050	4	Socket cap screw M12x50 A2	



AGM Screw Press HMR250K, HMR250S and TSR250
Model year 2014 - 2018

Date: 31/5-2016

15

Gear - SK6382ABG132MH4

Pos. no.	Item no.	Pcs.	Description	Note
1	2448008000910	0,010L	Alpha Ep 220	
5	2448036813788	1	132Mh/4 D24 300S 400/690 P 14	
100	2448086212000	1	Housing	
105	2448052697010	1	Seal	
110	2448022024056	1	Screw	
200	2448086218000	1	Housing cover	
210	2448086297000	1	Seal	
300	2448052613000	1	Gear unit cover	
310	2448051597020	1	Seal	
510	2448029608000	2	Rubber bonded metal bush	
600	2448086237000	1	Output shaft	
610	2448024622000	1	Roller bearing	
615	2448024622000	1	Roller bearing	
620	2448086273050	1	Output gear	
631	2448025100060	2	Radial shaft seal	
632	2448025100050	2	Radial shaft seal	
700	2448086272050	1	Pinion shaft	
710	2448024223089	1	Roller bearing	
711	2448024040720	1	Roller bearing	
730	2448025809001	1	Sealing cap	
753	2448086282000	1	Socket	
800	2448052672120	1	Pinion shaft	
801	2448052671080	1	Drive gear	
810	2448024030629	1	Roller bearing	
811	2448024640400	1	Roller bearing	
824	2448052682050	1	Socket	
829	2448025809001	1	Sealing cap	
900	2448050870020	1	Driving pinion	
1500	2448086282310	1	Fixing element	

