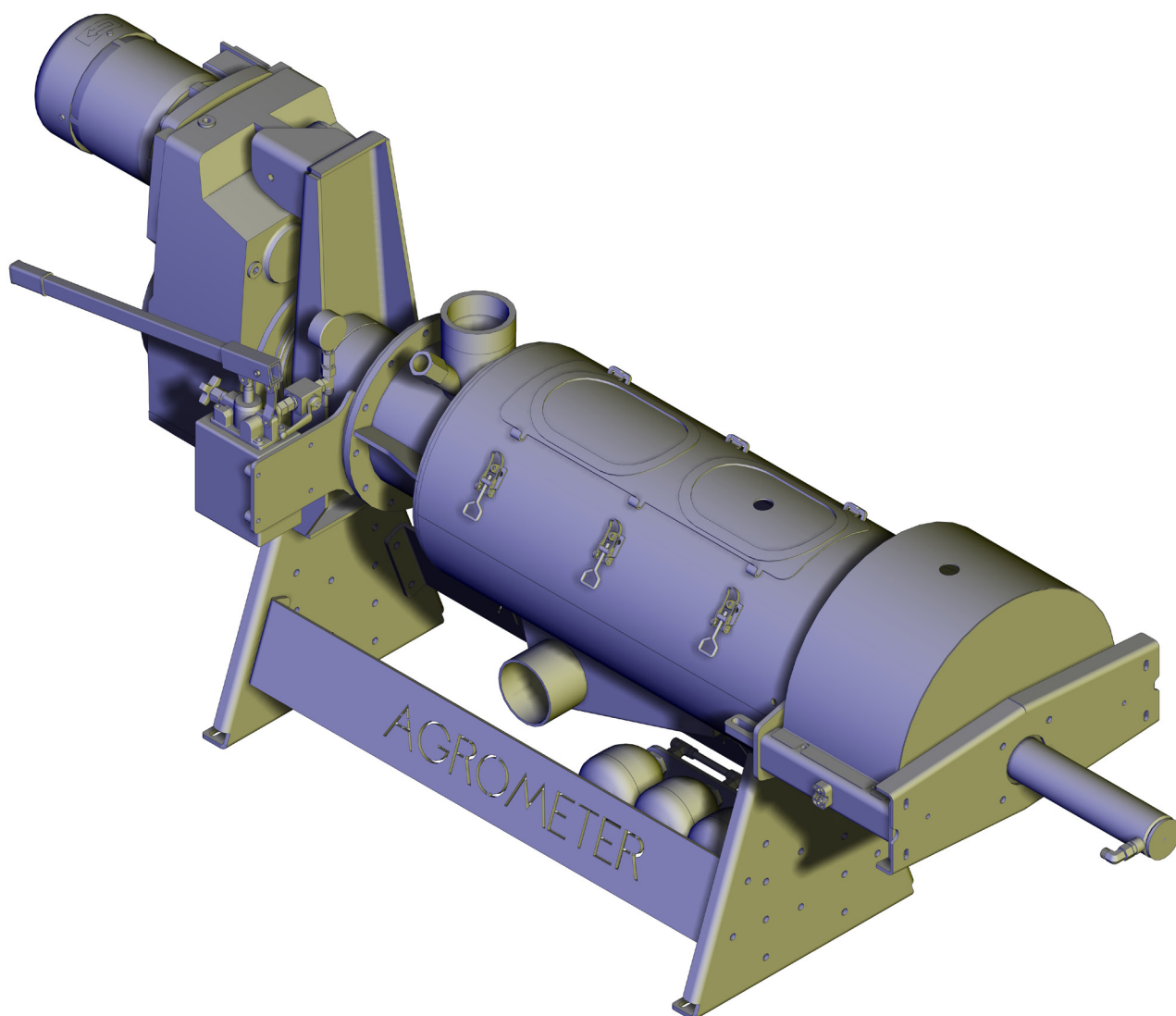


AGM Screw Press

Spare Parts for
HMR250K, HMR250S and TSR250
Model year 2018 -



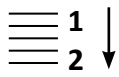
Date: 01-2019	AGM Screw Press HMR250K, HMR250S and TSR250 Model year 2018 -		A-Z
2			

Table of Contents:

Main parts..... 3

Bottom bearing 4

Outlet..... 5

Manual pump..... 6

Bottom bearing 7

Pig..... 8

Cow..... 9

Cow - Top 10

Cow - Spear 11

Dry matter..... 12

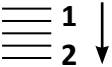
Dry matter - Top 13

Dry matter - Auger..... 14

Dry matter - Spear 15

Gear - SK6382ABG132MP4 16

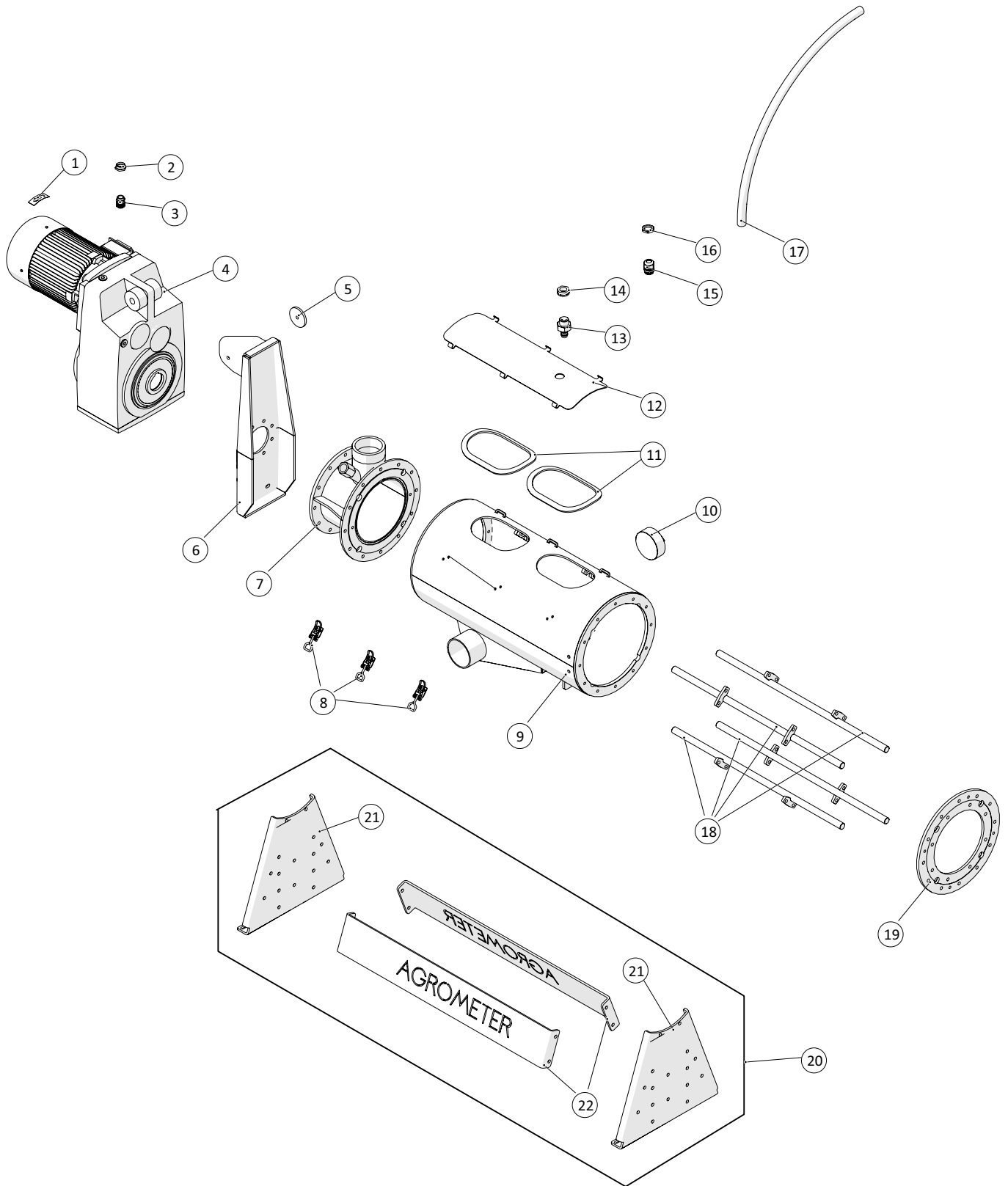


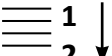
 A-Z	AGM Screw Press HMR250K, HMR250S and TSR250 Model year 2018 -	Date: 01-2019
		2

Alphabetic index:

Bottom bearing	4
Bottom bearing	7
Cow.....	9
Cow - Spear	11
Cow - Top	10
Dry matter.....	12
Dry matter - Auger.....	14
Dry matter - Spear	15
Dry matter - Top	13
Gear - SK6382ABG132MP4	16
Main parts.....	3
Manual pump.....	6
Outlet.....	5
Pig.....	8

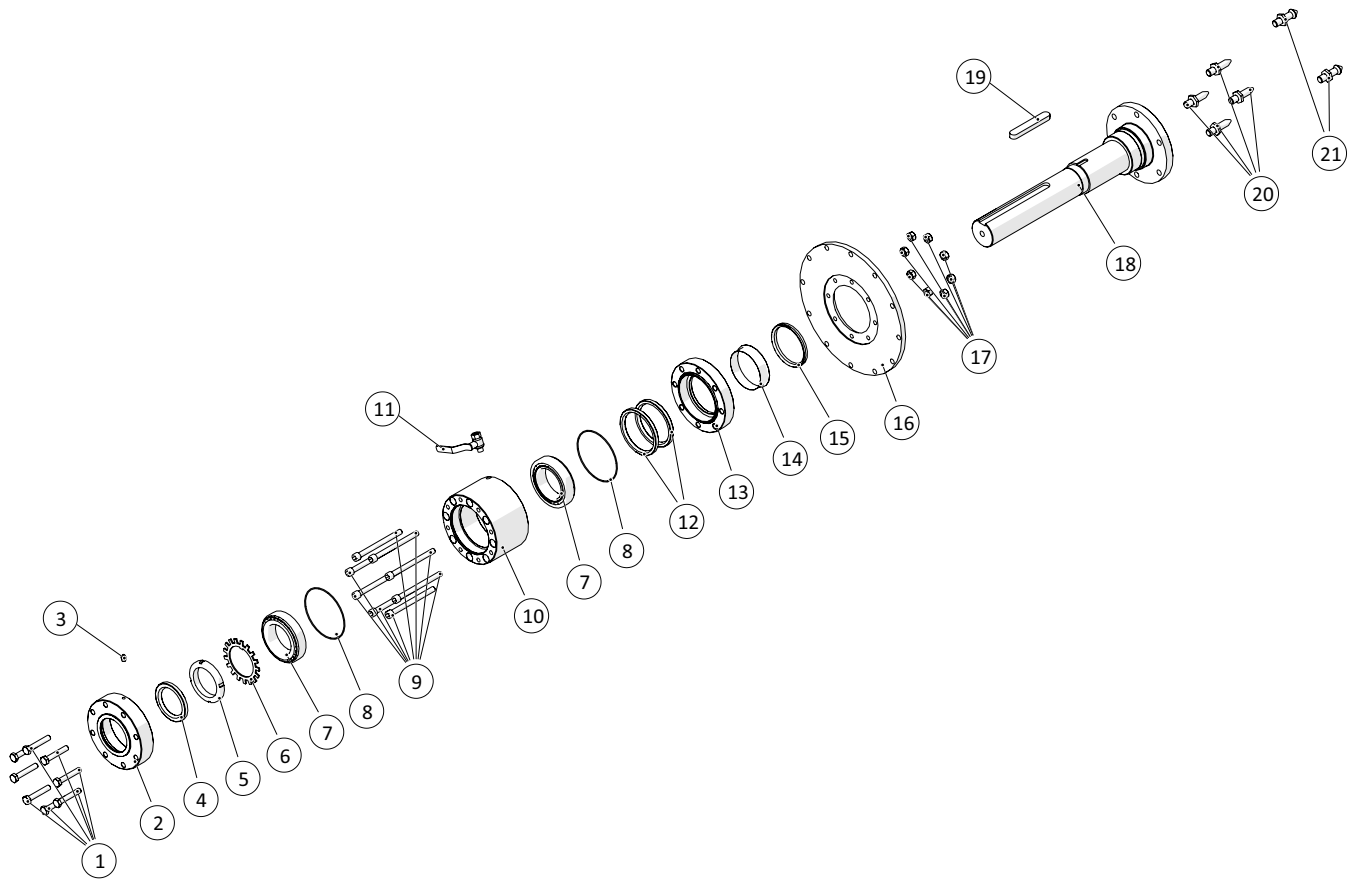
Main parts

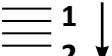
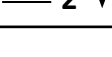


 1 ↓ 2 ↓	A-Z	AGM Screw Press HMR250K, HMR250S and TSR250 Model year 2018 -	Date: 01-2019
			3

Main parts				
Pos. no.	Item no.	Pcs.	Description	Note
1	30110045	1	Transfer with arrow	
2	1229110027	1	Reduction metric	
3	1229110020	1	Union M25	
4	SK6382ABG132MP/4 TF	1	Parallel shaft gear	Page 4, Gear
5	25250300138	1	Washer for lever arm	
6	25250300587	1	Retaining plate for engine	
7	25250300480	1	Inlet	
8	122500039	3	Latches	
9	25250300593	1	Filter housing	
10	5050127201	1	End plug 1/8"	
11	25250300511	2	Gasket	
12	25250300253	1	Inspection hatch	
13	1044629425	1	Pipe	
14	10408051	1	Nut 1"	
15	1229110025	1	Union M32	
16	1229110175	1	Nut M32	
17	25250300378	1	Suction hose \varnothing 32	
18	25250300490	4	Guide rail	
19	25250300417	1	Guide ring for outlet	
20	25250300343	1	Base	
21	25250300342	2	Base - end profile	
22	25250300340	2	Base - between profile	

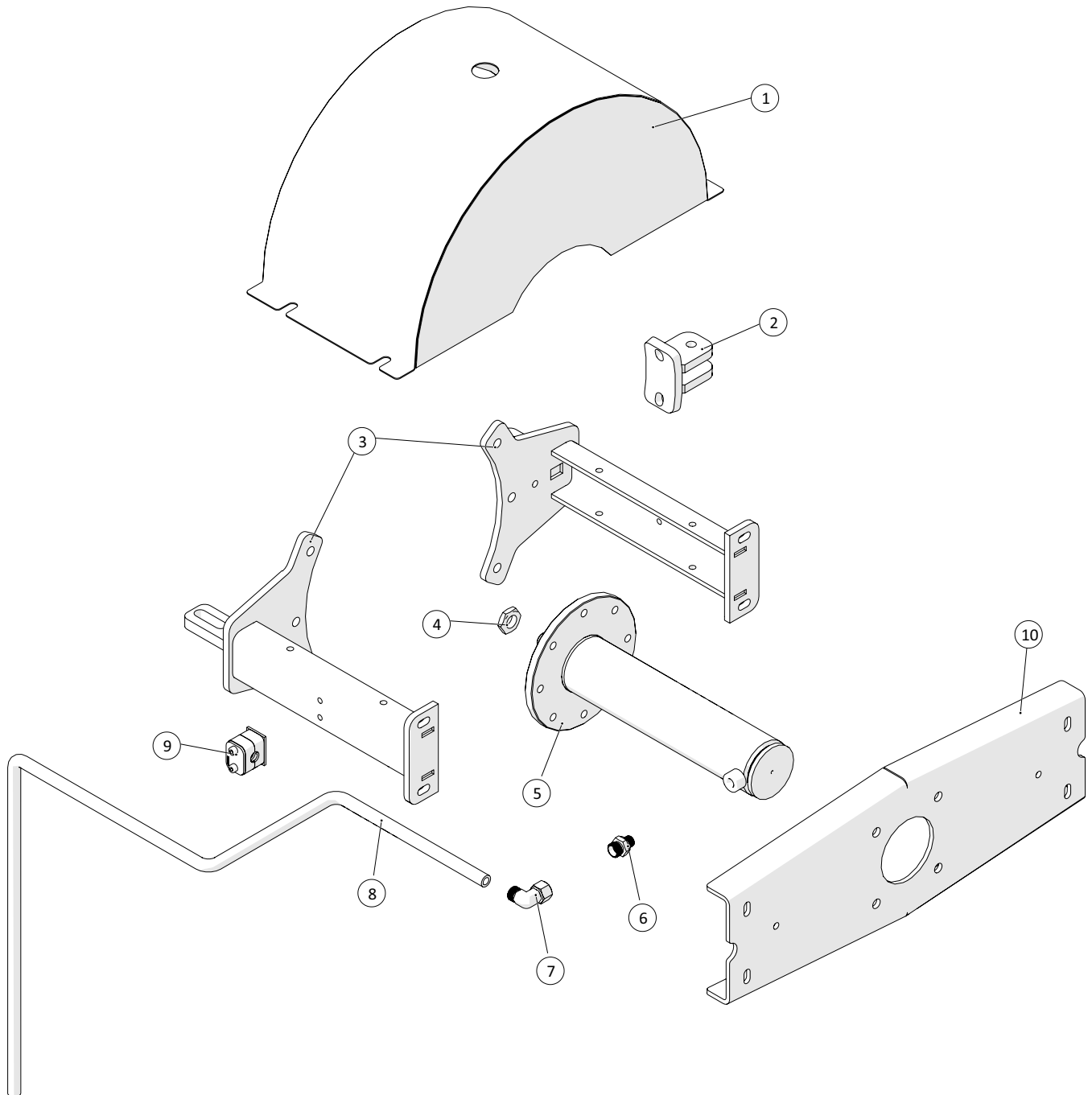
Bottom bearing

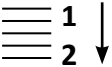


 1 ↓  2 ↓	A-Z	AGM Screw Press HMR250K, HMR250S and TSR250 Model year 2018 -	Date: 01-2019
			4

Bottom bearing				
Pos. no.	Item no.	Pcs.	Description	Note
1	132612070	8	Set screw M12 x 70	
2	25250300126	1	End cover for bearing	
3	15140037800118	1	Grease nipple 1/8"	
4	25240024	1	Simmering 72x100x10 nitrile	
5	25250300125	1	Lock nut KM16 M80x2	
6	25250300583	1	Circlip MB16 reinforced	
7	193032016	2	Thrust bearing 32016	
8	25240120	2	O-ring 128x2,5 nitrile 70 shore	
9	13278512135	8	Hexagon bolt CH 12x140 A2	
10	25250300123	1	Bearing bracket for bottom bearing	
11	13100061	1	1/4" kuglehane muffe/nippel	
12	25240030	2	Simmering A 100X120X10 FPM	
13	25250300127	1	Sealing cap for bearing	
14	23624018	1	SPEEDI SLEEVE 99393	
15	25240035	1	VA 100 Ring	
16	25250301134	1	Flange	
17	132702112-2	8	12mm lock nut	
18	25250300129	1	Shaft for new engine	
19	2501790486	1	Parallel key A20x12x125	
20	25250301177	4	Bolt for auger short	
21	25250301194	2	Pin	

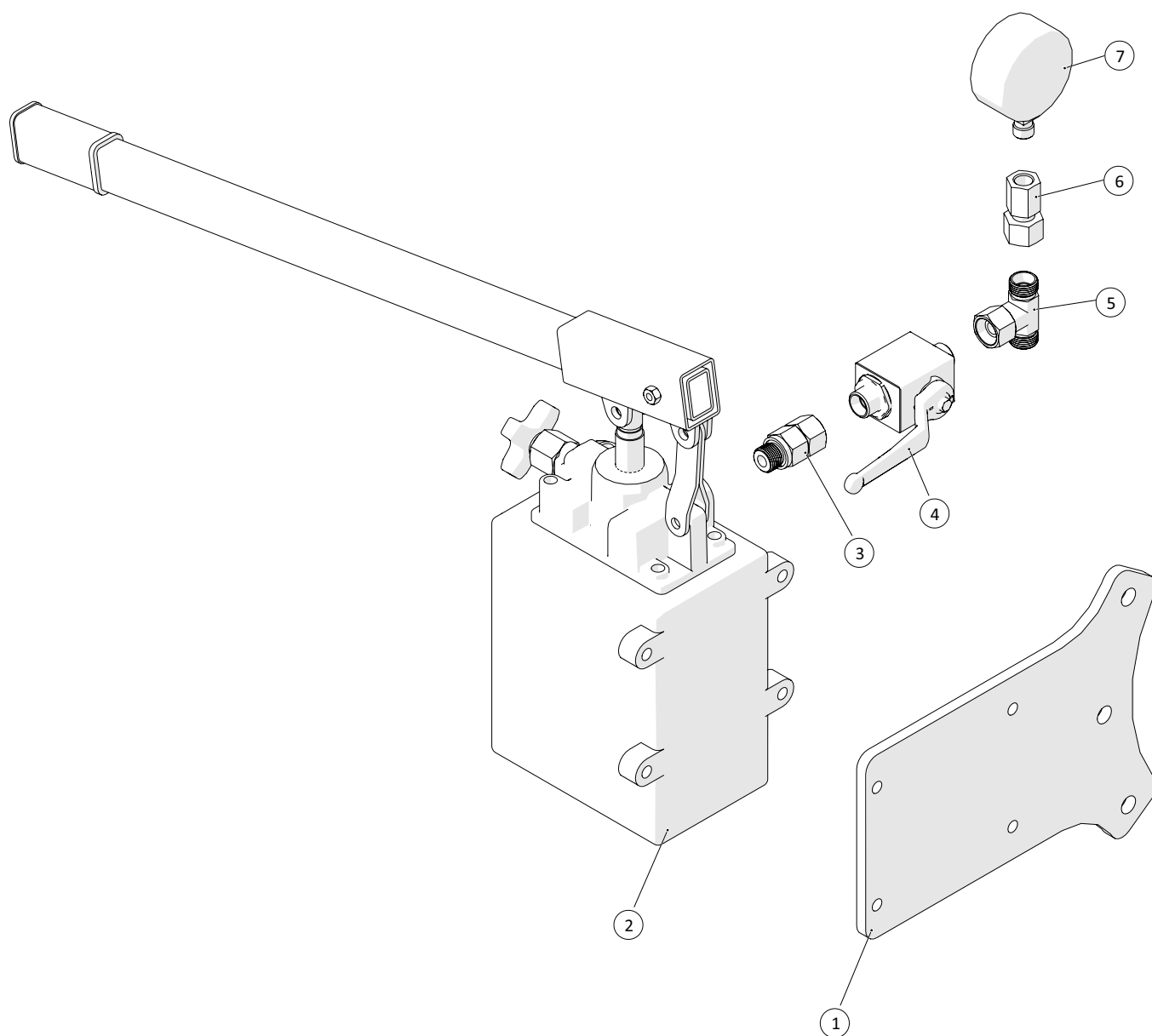
Outlet



 1 ↓ 2 ↓	A-Z	AGM Screw Press HMR250K, HMR250S and TSR250 Model year 2018 -	Date: 01-2019
			5

Outlet				
Pos. no.	Item no.	Pcs.	Description	Note
1	25250300272	1	Screen	
2	25250300194	1	Closing system	
3	25250300295	2	Side bracket	
4	132604420	1	Lock nut M20	
5	25250050	1	Cylinder	
6	503373063	1	Straight coupling L12x1/4"	
7	503372992	1	Adjustable male stud elbow L12	
8		1	3/8" tube	
9	51000015	1	Clamp single	
10	25250300318	1	Plate for cylinder	

Manual pump

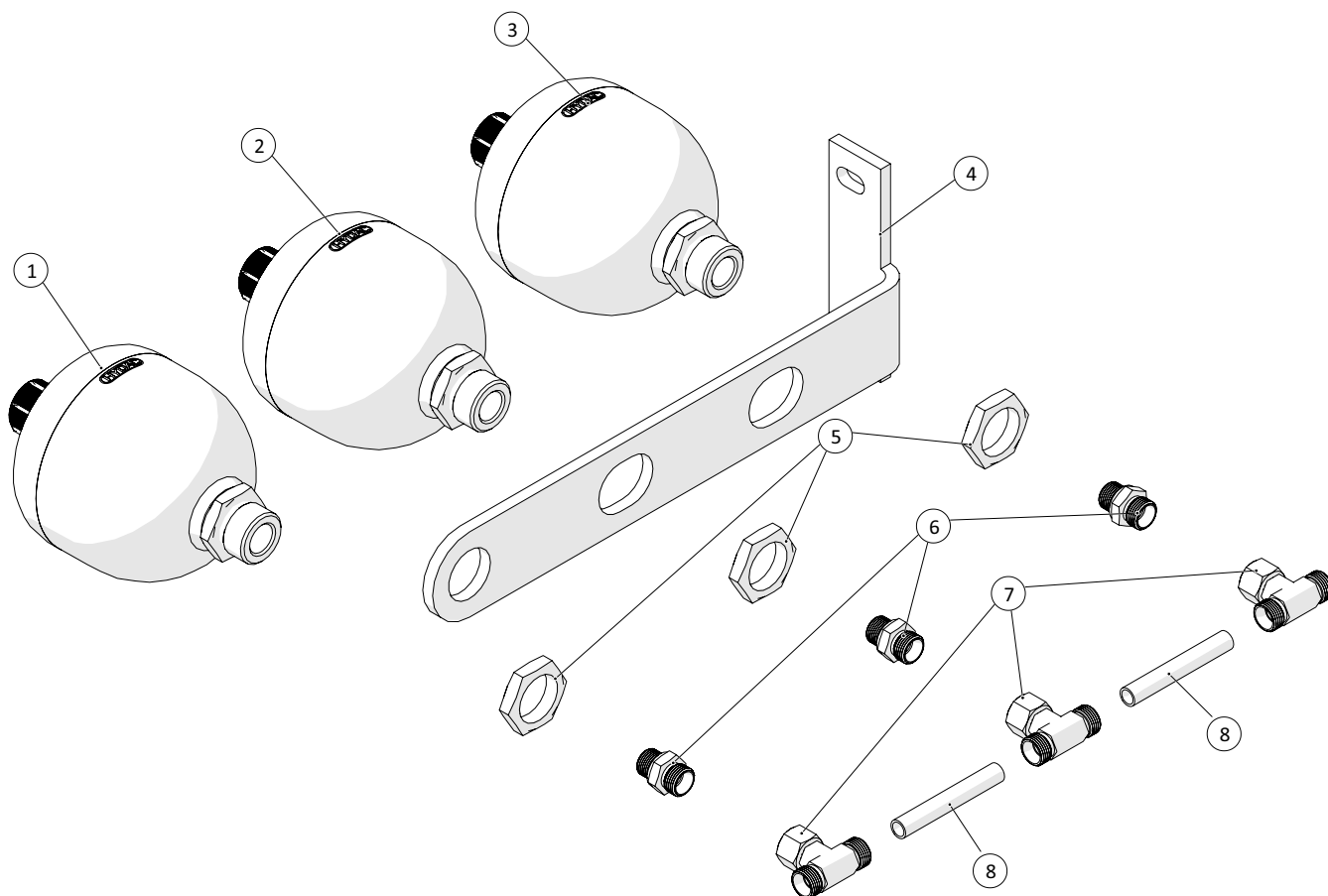


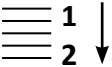
 1 ↓ 2 ↓	A-Z	AGM Screw Press HMR250K, HMR250S and TSR250 Model year 2018 -	Date: 01-2019
			6

Manual pump				
Pos. no.	Item no.	Pcs.	Description	Note
1	25250300485	1	Hydraulic mounting plate	
2	25250301083	1	Manual pump single acting cpl.	
3	5033063665	1	Male stud coupling L12x $\frac{3}{8}$ "	
4	2525BKH12L	1	Ball valve M18x1,5- \varnothing 12 BHK 12L	
5	503374577	1	Adjustable equal tee L12	
6	25240215	1	Pressure gauge coupling	
7	131800653	1	Glycerin manometer 0-100BAR $\frac{1}{4}$ "x63mm	



Bottom bearing

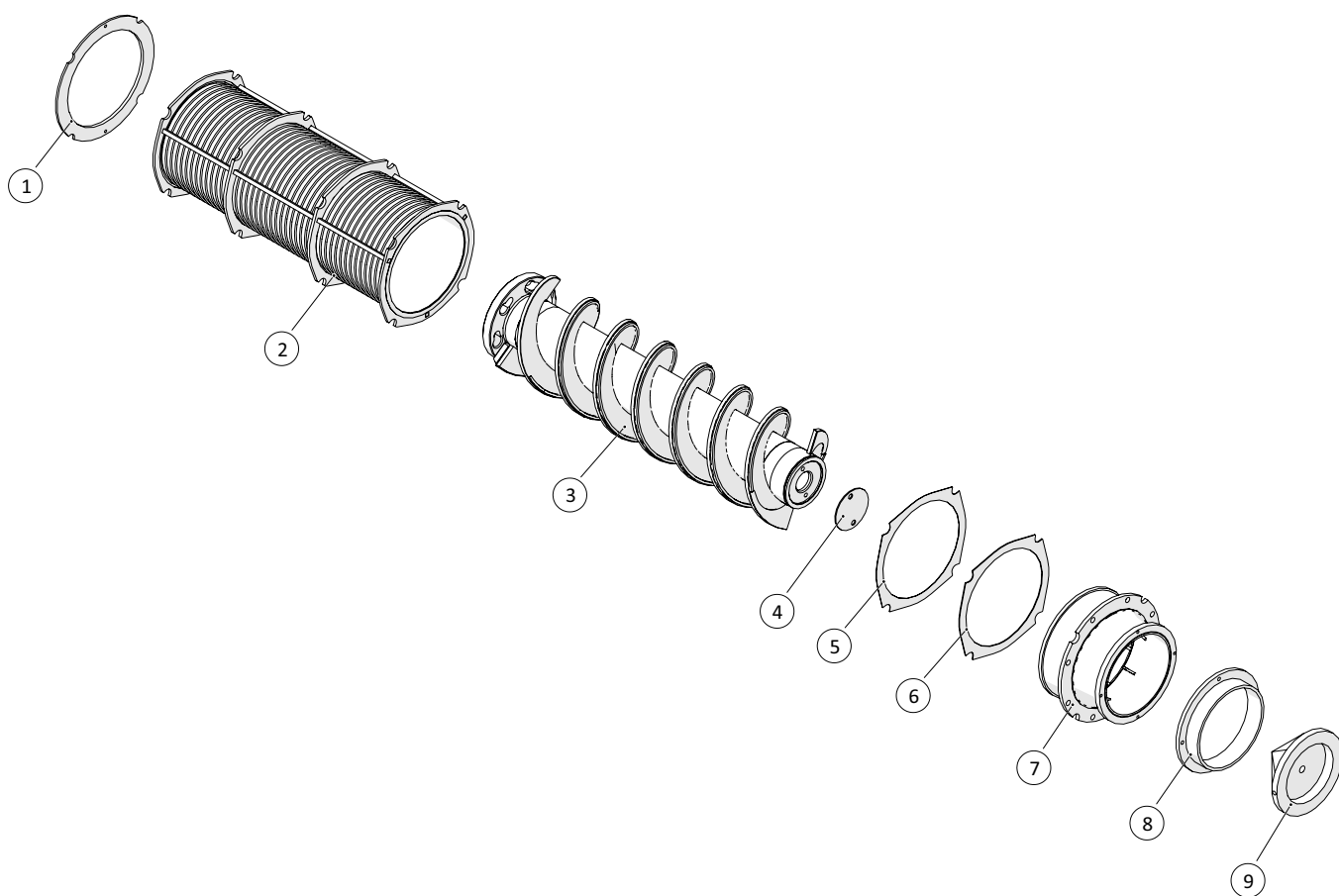


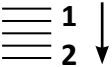
 1 ↓ 2 ↓	A-Z	AGM Screw Press HMR250K, HMR250S and TSR250 Model year 2018 -	Date: 01-2019
			7

Bottom bearing				
Pos. no.	Item no.	Pcs.	Description	Note
1	25240202	1	Accumulator SBO210 075EI 40bar	Location is irrelevant and may be different. Please specify item no. From the label for correct pressure.
2	25240200	1	Accumulator SBO210 075EI 5bar	Location is irrelevant and may be different. Please specify item no. From the label for correct pressure.
3	25240201	1	Accumulator SBO210 075EI 20bar	Location is irrelevant and may be different. Please specify item no. From the label for correct pressure.
4	25250301069	1	Accumulator bracket	
5	25240300	3	Lock nut M33x1,5	
6	503373065	3	Male stud coupling L12x½"	
7	503374577	3	Adjustable equal tee L12	
8	13741215	194mm	Hydraulic pipe Ø12x1,5	



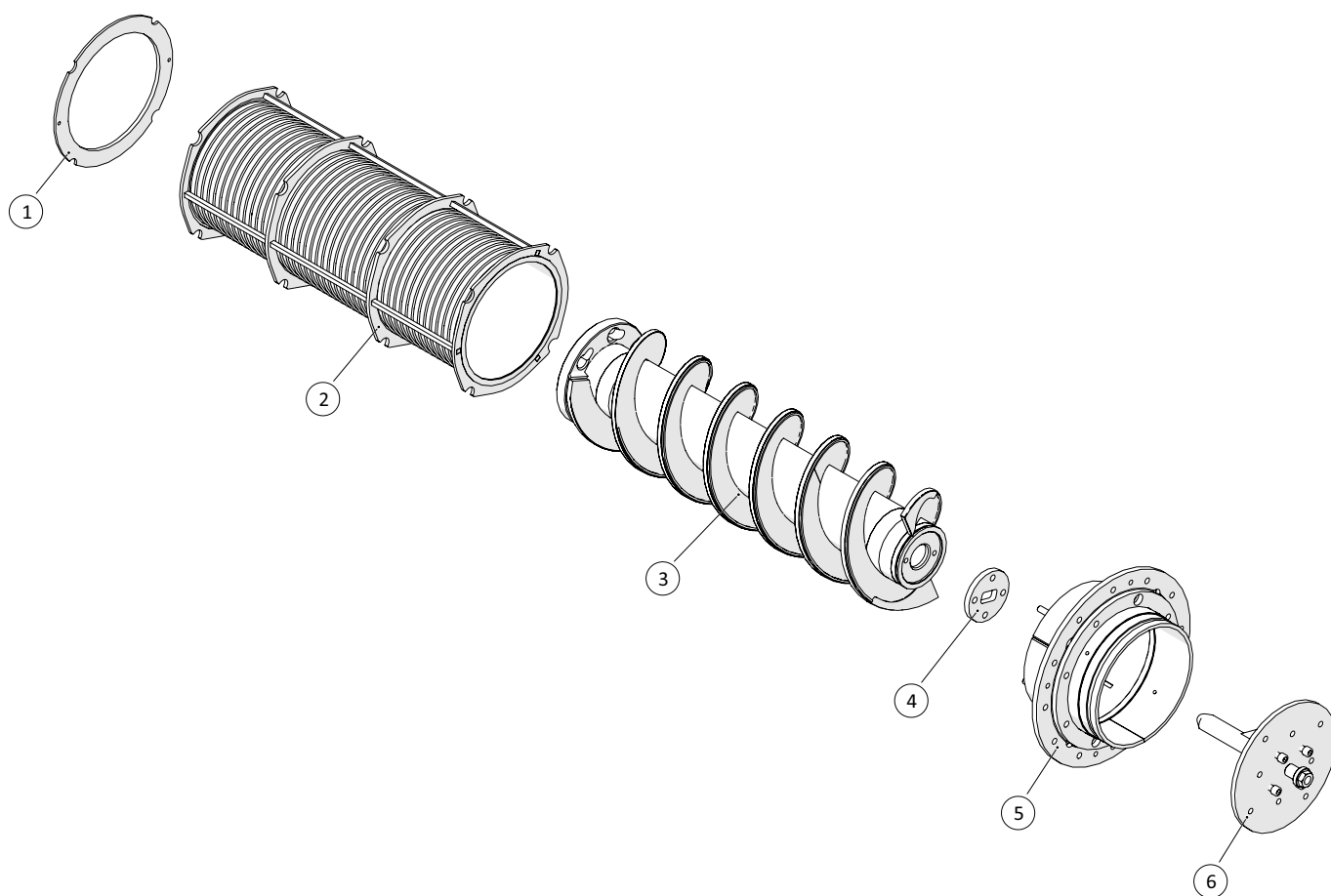
Pig

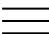


 1 ↓ 2 ↓	A-Z	AGM Screw Press HMR250K, HMR250S and TSR250 Model year 2018 -	Date: 01-2019
			8

Pig				
Pos. no.	Item no.	Pcs.	Description	Note
1	25250300504	1	Guide, bottom	
2	25250300018	1	Filter Pig 500μ	
3	25250300450	1	Auger	
4	25250300497	1	Blind plate 110mm	
5	25250300074-1	1	Sealing ring filter - 1mm	
6	25250300074-2	1	Sealing ring filter - 2mm	
7	25250300447	1	Top	
8	25250300522	1	Extension of outlet	
9	25250301136	1	Cone	

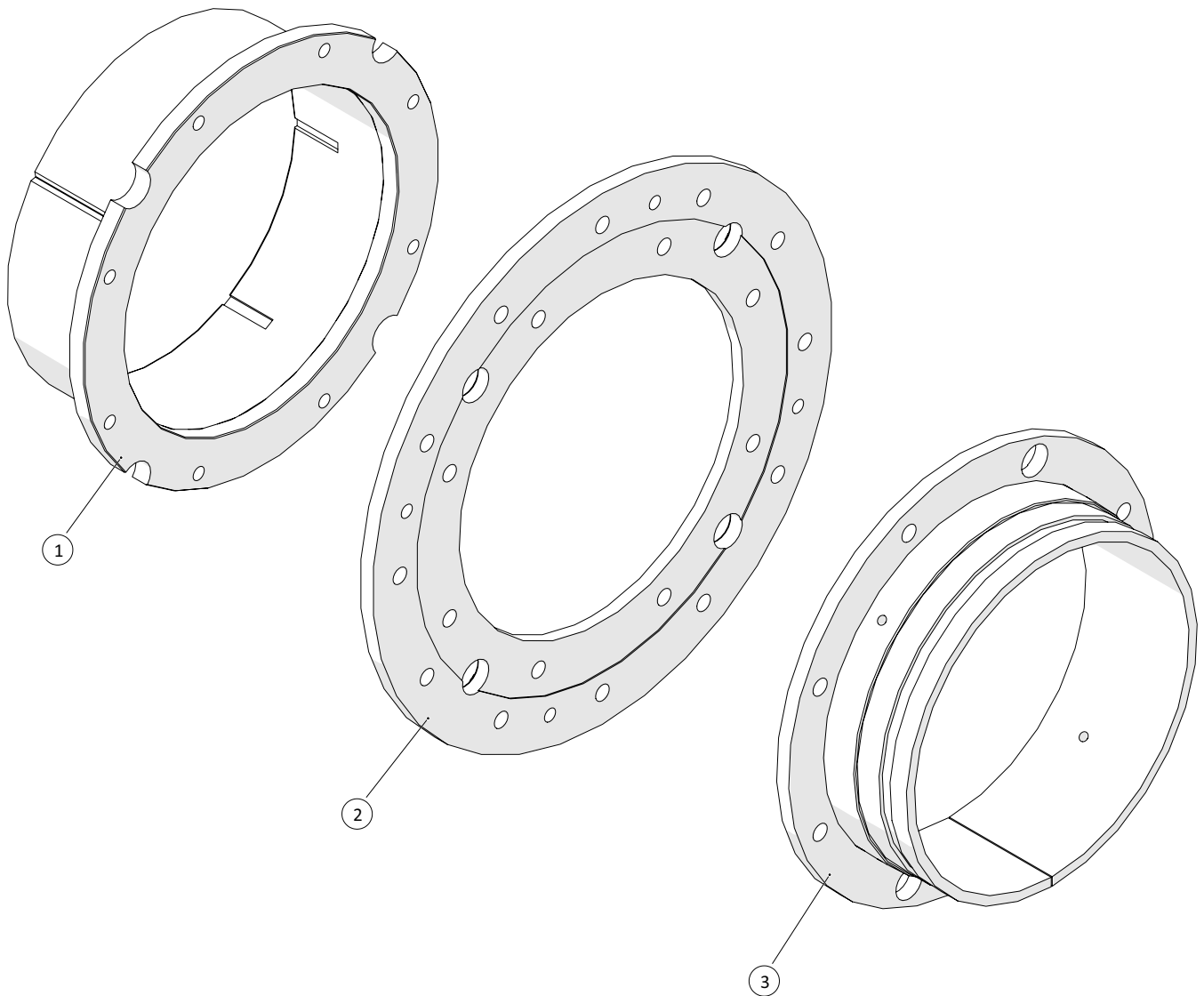
Cow

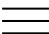
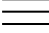


 1 ↓  2 ↓	A-Z	AGM Screw Press HMR250K, HMR250S and TSR250 Model year 2018 -	Date: 01-2019
			9

Cow				
Pos. no.	Item no.	Pcs.	Description	Note
1	25250300504	1	Guide, bottom	
2	25250300018	1	Filter 500μ	
3	25250300269	1	Auger stainless steel	
4	25250300494	1	Guide for Spear	
5	25250300520	1	Outlet complete	Page 11, Cow - top
6	25250301086	1	Pressure plate, complete	Page 10, Cow - Spear

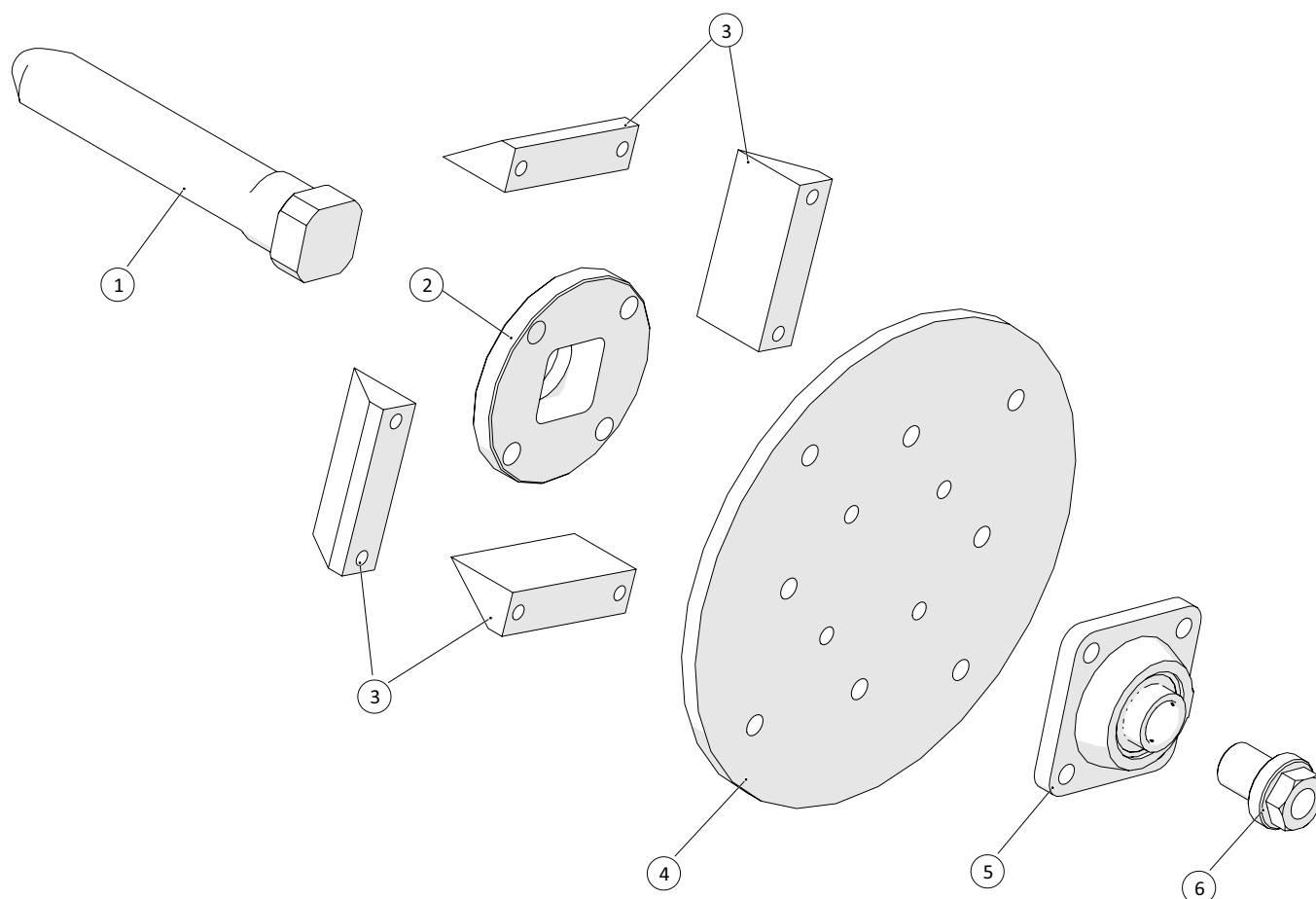
Cow - Top

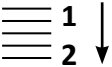


 1 ↓  2 ↓	A-Z	AGM Screw Press HMR250K, HMR250S and TSR250 Model year 2018 -	Date: 01-2019
			10

Cow - Top				
Pos. no.	Item no.	Pcs.	Description	Note
1	25250300516	1	Guide for top	
2	25250300417	1	Flange for outlet	
3	25250300440	1	Outlet	

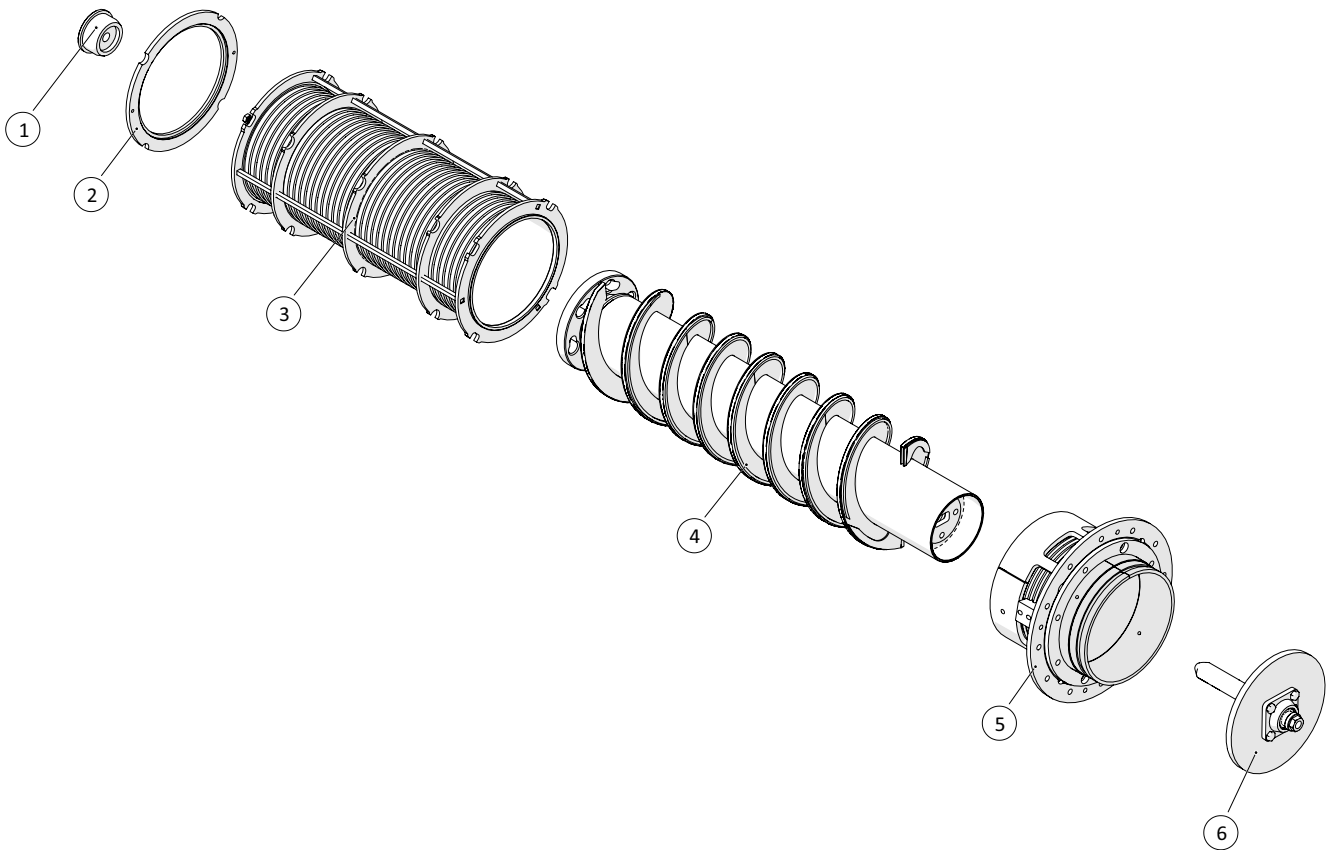
Cow - Spear

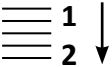


 1 ↓ 2 ↓	A-Z	AGM Screw Press HMR250K, HMR250S and TSR250 Model year 2018 -	Date: 01-2019
			11

Cow - Spear				
Pos. no.	Item no.	Pcs.	Description	Note
1	25250300491	1	Spear / Drive shaft	
2	25250301193	1	Flange for spear	
3	25250301195	4	Blade	
4	25250301197	1	Flange	
5	25240080	1	Flange SF205 stainless steel	
6	25250301196	1	Bearing nut / shaft	

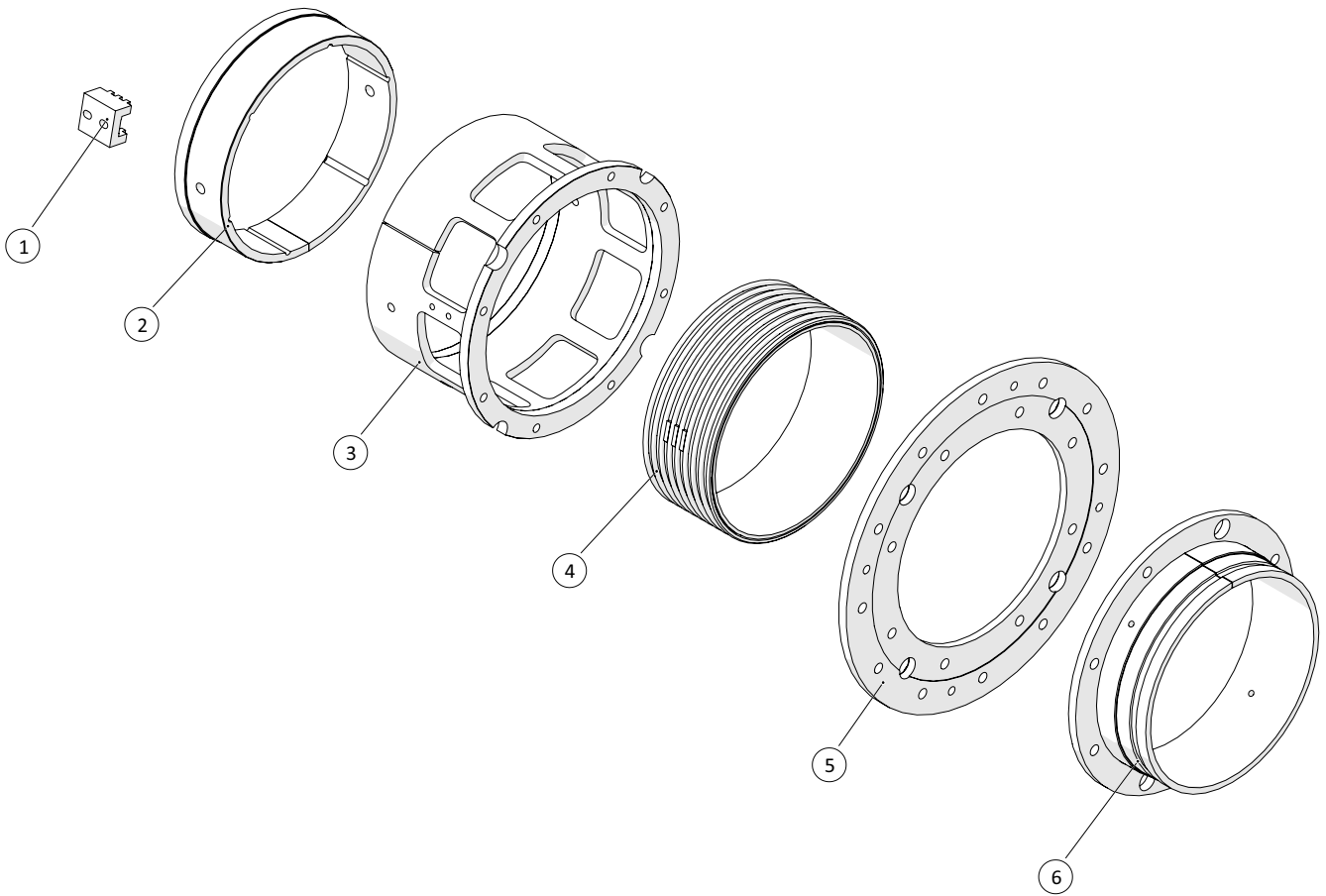
Dry matter

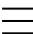
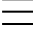


 A-Z	AGM Screw Press HMR250K, HMR250S and TSR250 Model year 2018 -	Date: 01-2019
		12

Dry matter				
Pos. no.	Item no.	Pcs.	Description	Note
1	25250300389	1	Guide for auger	
2	25250300476	1	Guide flange bottom	
3	25250300544	1	Filter	
4	25250300589	1	Auger	Page 14, Dry matter - Auger
5	25250300436	1	Top complete	Page 16, Dry matter - Top
6	25245030	1	Pressure plate, complete	Page 15, Dry matter - Spear

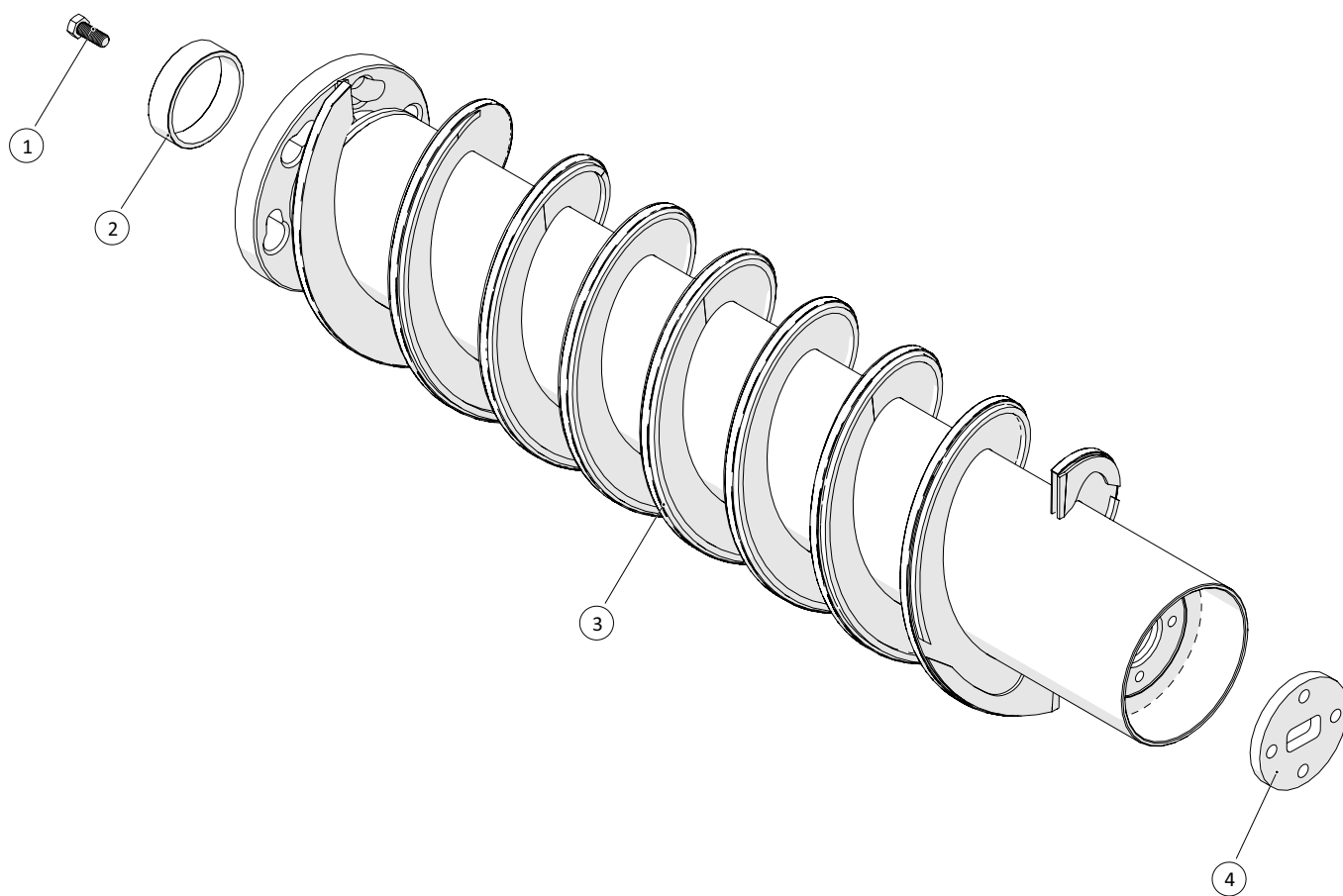
Dry matter - Top

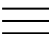
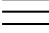


 1 ↓  2 ↓	A-Z	AGM Screw Press HMR250K, HMR250S and TSR250 Model year 2018 -	Date: 01-2019
			13

Dry matter - Top				
Pos. no.	Item no.	Pcs.	Description	Note
1	25250300585	1	Lock to filter	
2	25250300427	1	Wear lining filter collar	
3	25250300420	1	Guide for top	
4	25250300391	1	Top filter	
5	25250300417	1	Guide ring for outlet	
6	25250300440	1	Outlet	

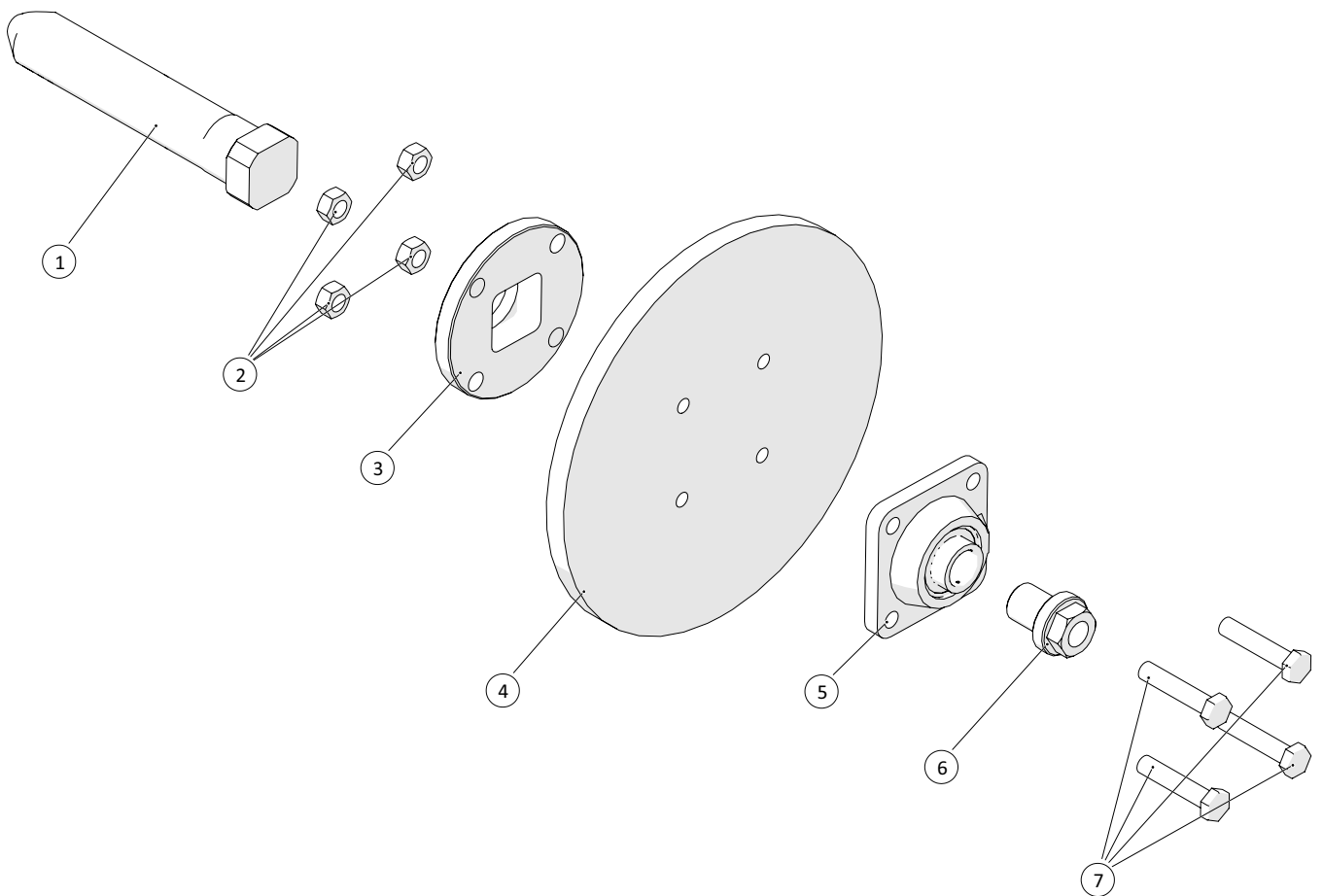
Dry matter - Auger

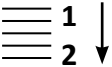


 1 ↓  2 ↓	A-Z	AGM Screw Press HMR250K, HMR250S and TSR250 Model year 2018 -	Date: 01-2019
			14

Dry matter - Auger				
Pos. no.	Item no.	Pcs.	Description	Note
1	1902304	1	Steel Bolt M12x30	
2	25250300388	1	Bush for guide to auger	
3	25250300586	1	Auger	
4	25250300494	1	Guide for Spear	

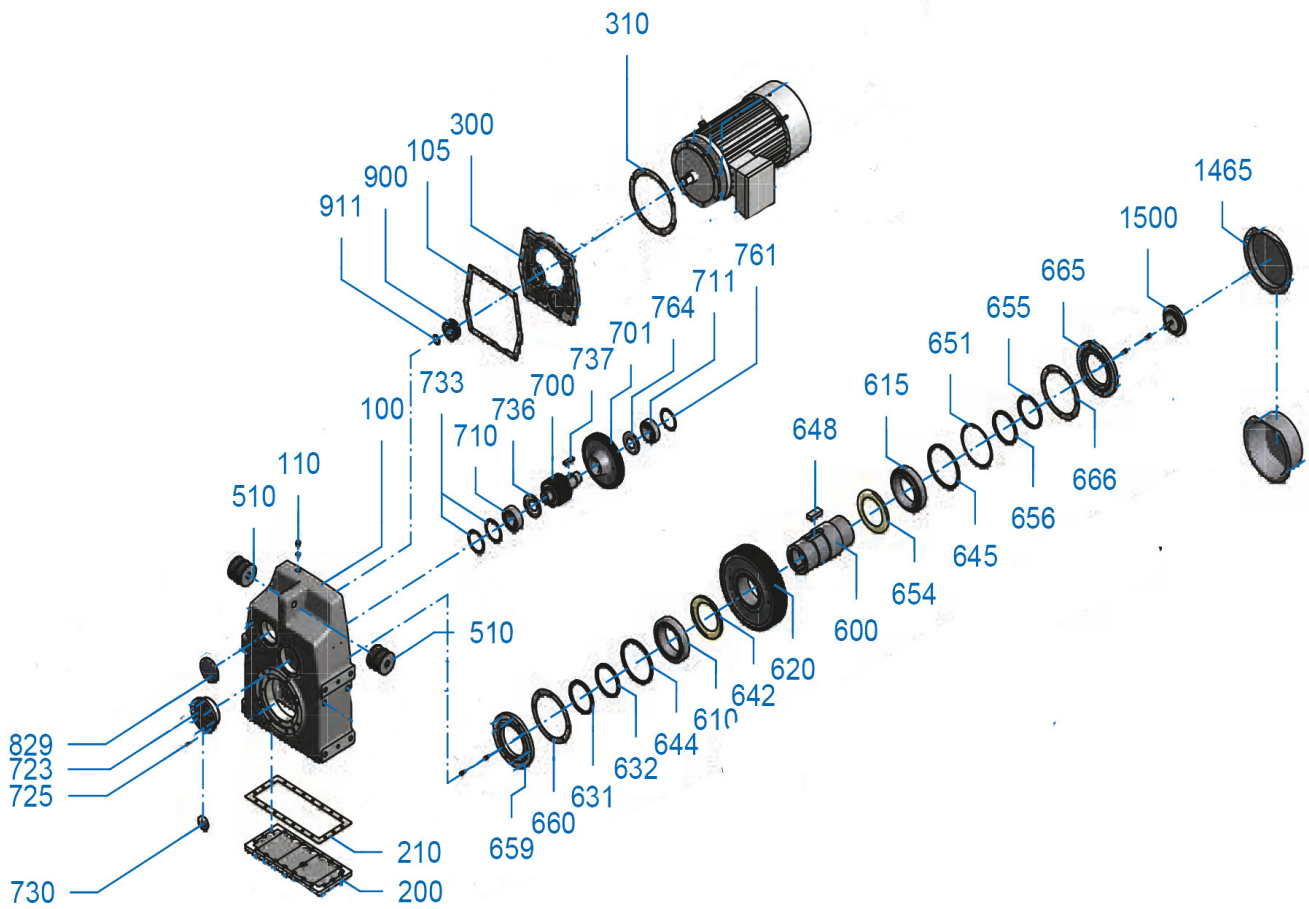
Dry matter - Spear

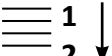


 1 ↓ 2 ↓	A-Z	AGM Screw Press HMR250K, HMR250S and TSR250 Model year 2018 -	Date: 01-2019
			15

Dry matter - Spear				
Pos. no.	Item no.	Pcs.	Description	Note
1	25250300491	1	Speer / Antriebswelle	
2	132702112	4	Mutter M12 A2	
3	25250301193	1	Flansch für Speer	
4	25250300098	1	Flansch	
5	25240080	1	Flansch SF205 Edelstahl	
6	25250301196	1	Lagermutter / Welle	
7	132612060	4	Steel bolt M12x60	

Gear - SK6382ABG132MP4



 1 ↓ 2 ↓	A-Z	AGM Screw Press HMR250K, HMR250S and TSR250 Model year 2018 -	Date: 01-2019
			16

Gear - SK6382ABG132MP/4 TF				
Pos. no.	Item no.	Pcs.	Description	Note
1	2448008000910	10L	Alpha Ep 220	
5	2448036813788	1	132Mh/4 D24 300S 400/690 P 14	
100	2448086212000	1	Housing	
105	2448052697010	1	Seal	
110	2448022024056	1	Screw	
200	2448086218000	1	Housing cover	
210	2448086297000	1	Seal	
300	2448052613000	1	Gear unit cover	
310	2448051597020	1	Seal	
510	2448029608000	2	Rubber bonded metal bush	
600	2448086237000	1	Output gear	
610	2448024622000	1	Roller bearing	
615	2448024622000	1	Roller bearing	
620	2448086273050	1	Output gear	
631	2448025100060	2	Radial shaft seal	
632	2448025100050	2	Radial shaft seal	
700	2448086272050	1	Pinion shaft	
710	2448024223089	1	Roller bearing	
711	2448024040720	1	Roller bearing	
730	2448025809001	1	Sealing cap	
829	2448025809001	1	Sealing cap	
900	2448050870020	1	Driving pinion	
1500	2448086282310	1	Fixing element	