

Navigation:

≡¹ ↓ Table of Contents

A-Z Alphabetic index

Slurry Reel System

Spare Parts for
SRS1200
Model year 2014 - 2018



Table of Contents

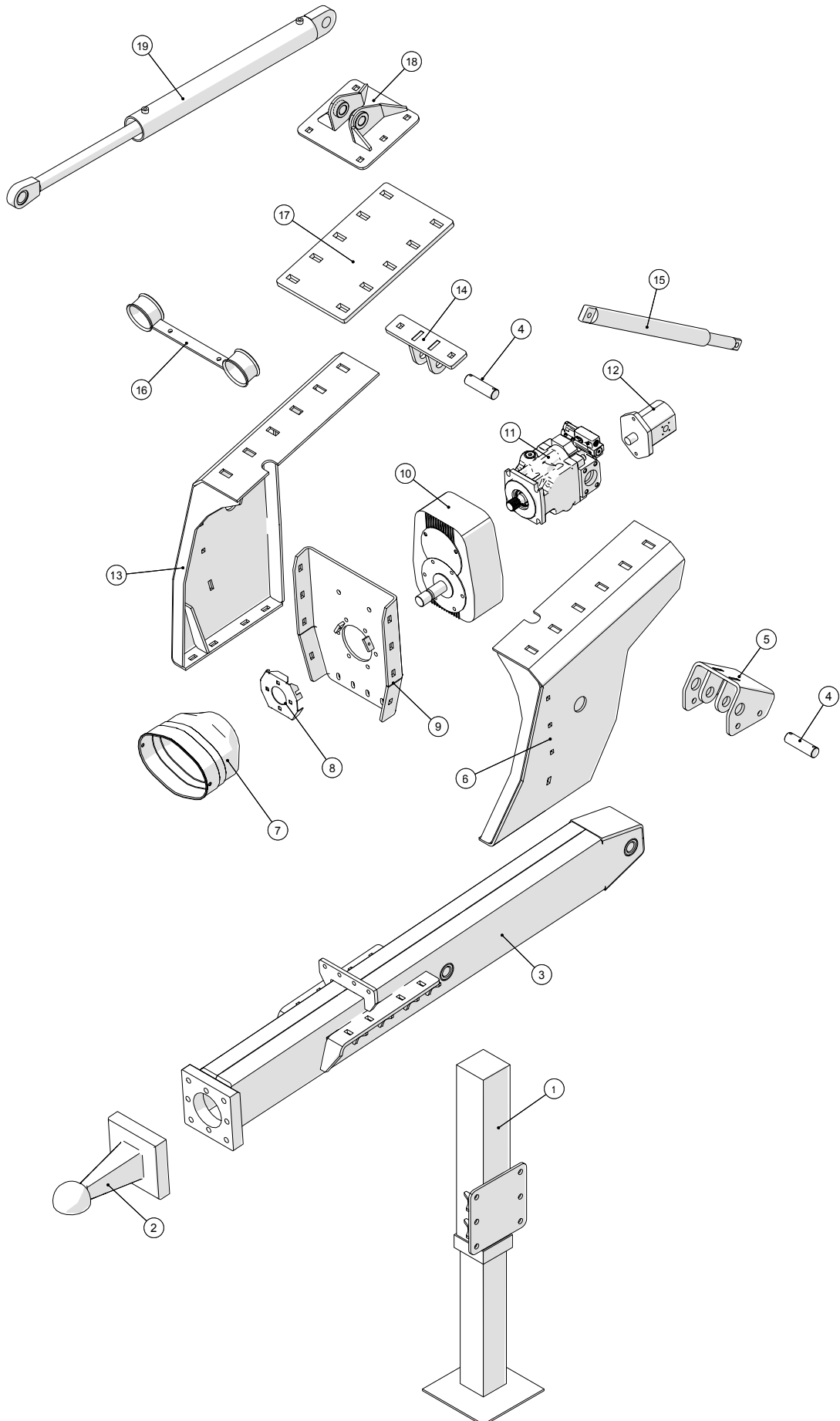
Drawbar	4
Side panel, right	5
Side panel, left	6
Mudguard, right	7
Mudguard, left	8
Safety Net	9
Wheels and axles - hydraulic brakes	10
Wheels and axles - air brakes.....	11
Pipe system	12
Sponge trap.....	13
Hose reel.....	14
Chain drive	15
Hose guide, top	16
Hose guide rollers.....	17
Hydraulics, right	18
Hydraulics, left	19
Crane, swivel arm.....	20
Crane, inner joint.....	21
Crane, middle.....	22
Crane, outer	23
Crane, inlet.....	24
Supporting rollers with outer bearing	25
Inlet rollers with outer bearings	26
Hose Stop.....	27
Hose assembly	28
Speed-up gear B600.....	29
Central lubrication.....	30
Stub Axle, drum.....	31
Stub Axle, Brake	32
Stub Axle, Brake	33
Oil Engine for hose reel OMTS315.....	34
S.A.H.R. Brake RF5/85	35
Gear RR510 MC	36
Brake	37
Brake - Flange.....	39
Brake - Motor attachment	41
Brake - Motor attachment	42
Brake - cogwheel	43
Brake - Output support.....	45
RAMUS Gate valve DN100	37
Drive Shaft	38
HE-VA Front-lift Integrated.....	39
HE-VA Front-lift Integrated, hydraulics	40



Table of Contents - alphabetical

Brake.....	37
Brake - cogwheel.....	43
Brake - Flange.....	39
Brake - Motor attachment.....	41
Brake - Motor attachment.....	42
Brake - Output support.....	45
Central lubrication.....	30
Chain drive.....	15
Crane, inlet.....	24
Crane, inner joint.....	21
Crane, middle.....	22
Crane, outer.....	23
Crane, swivel arm.....	20
Supporting rollers with outer bearing.....	25
Drawbar.....	4
Drive Shaft.....	38
Gear RR510 MC.....	36
HE-VA Front-lift Integrated.....	39
HE-VA Front-lift Integrated, hydraulics.....	40
Hose assembly.....	28
Hose guide, top.....	16
Hose guide rollers.....	17
Hose reel.....	14
Hose Stop.....	27
Hydraulics, right.....	18
Hydraulics, left.....	19
Inlet rollers with outer bearings.....	26
Mudguard, right.....	7
Mudguard, left.....	8
Oil Engine for hose reel OMTS315.....	34
Pipe system.....	12
Safety Net.....	9
S.A.H.R. Brake RF5/85.....	35
Side panel, right.....	5
Side panel, left.....	6
Sponge trap.....	13
Speed-up gear B600.....	29
Stub Axle, drum.....	31
Stub Axle, Brake.....	32
Stub Axle, Brake.....	33
RAMUS Gate valve DN100.....	37
Wheels and axles - air brakes.....	11
Wheels and axles - hydraulic brakes.....	10

Drawbar

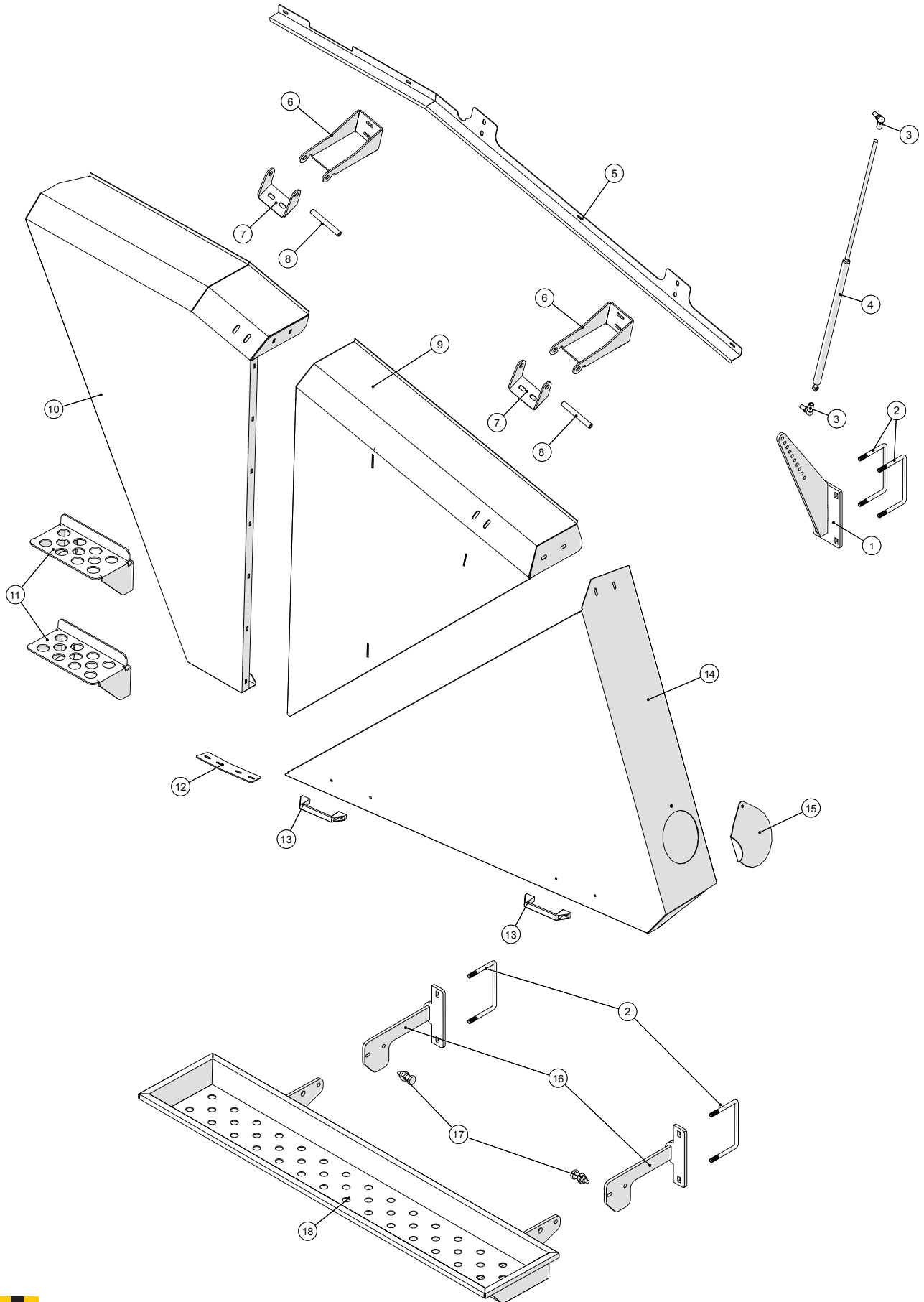


Drawbar

Pos. no.	Item no.	Pcs.	Description	Note
1	25032297	1	Support leg	
2	210474007123	1	Scharmueller ball coupling, K80	
3	25031460	1	Drawbar	
4	2501790286	2	Pin for Top link	
5	25032942	1	Bracket for top link	
6	25032234	1	Left weight transfer console	
7	23619006	1	PTO drive shaft guard	
8	25031390	1	Bracket for PTO drive shaft guard	
9	25031470	1	Mounting plate	
10	25037200	1	Speed up gear B600 gear	
11	13637003080	1	Pump JR-R-075C LS-25-20	
12	136311120A8400	1	Gear Pump GR2 fixed displ	
13	25032235	1	Right weight transfer console	
14	25032450	1	Top link bracket for weight transfer	
15	25017250	1	Eye for drawbar	
16	25032643	1	Hose bracket front	
17	25032262	1	Intermediate plate for weight transfer	
18	25032227	1	Top bracket for weight transfer	
19	210417900419	1	Cylinder for weight transfer	
	210434560707	1	Seal kit for cylinder	



Side panel, right

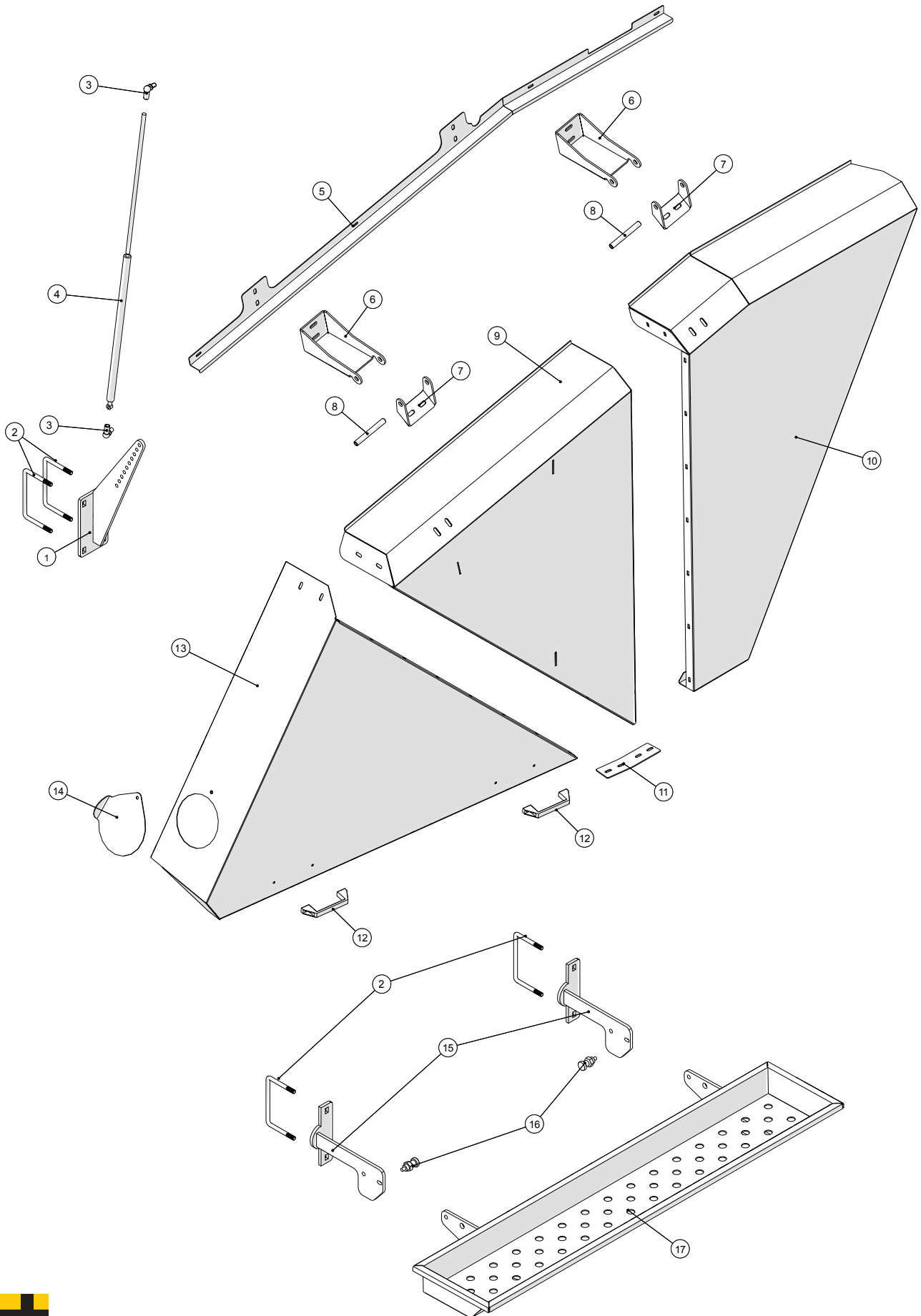


Side panel, right

Pos. no.	Item no.	Pcs.	Description	Note
1	25032197	1	Lower bracket for gas cylinder	
2	25031735	4	U-clamp for 160x80 profile	
3	25038019		Ball socket 14/28	
4	25038018	1	Gas Spring 14/28 500/VARI	
5	25032988	1	Cover rail for side cover, right	
6	25031425	2	Hinge arm for Side panels	
7	25031426	2	Hinge for large side panel	
8	25031427	2	Hinge pin for side panel	
9	25031419	1	Upper side cover, right	
10	25032205	1	Rear side cover, right	
11	25032472	2	Ladder step for side panel	
12	25032174	1	Mounting bracket for side panel	
13	2514803066	2	Handle	
14	25031512	1	Lower side cover, right	
15	25032115	1	Closing plate for cover	
16	25031864	2	Mounting brackets for transport tray	
17	1513KS66030000	2	Locking device	
18	25031860	1	Transport tray for check valve	



Side panel, left

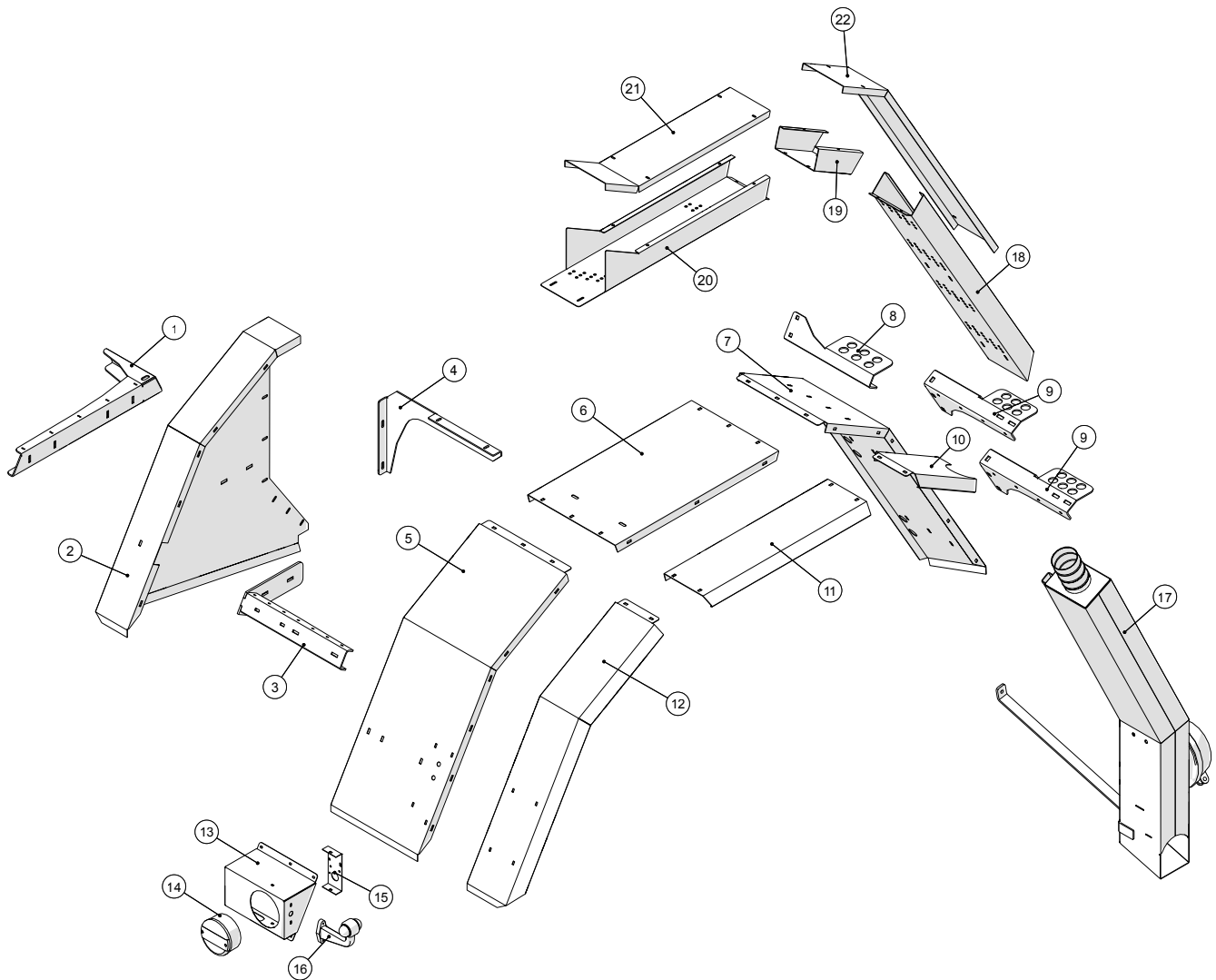


Side panel, left

Pos. no.	Item no.	Pcs.	Description	Note
1	25032197	1	Lower bracket for gas cylinder	
2	25031735	4	U-clamp for 160x80 profile	
3	25038019		Ball socket 14/28	
4	25038018	1	Gas Spring 14/28 500/VARI	
5	25032983	1	Cover rail for side cover, left	
6	25031425	2	Hinge arm for Side panels	
7	25031426	2	Hinge for large side panel	
8	25031427	2	Hinge pin for side panel	
9	25031418	1	Upper side cover, left	
10	25032194	1	Rear side cover, left	
11	25032174	1	Mounting bracket for side panel	
12	2514803066	2	Handle	
13	25031516	1	Front side cover, left	
14	25032115	1	Closing plate for cover	
15	25031864	2	Mounting brackets for transport tray	
16	1513KS66030000	2	Locking device	
17	25031860	1	Transport tray for check valve	



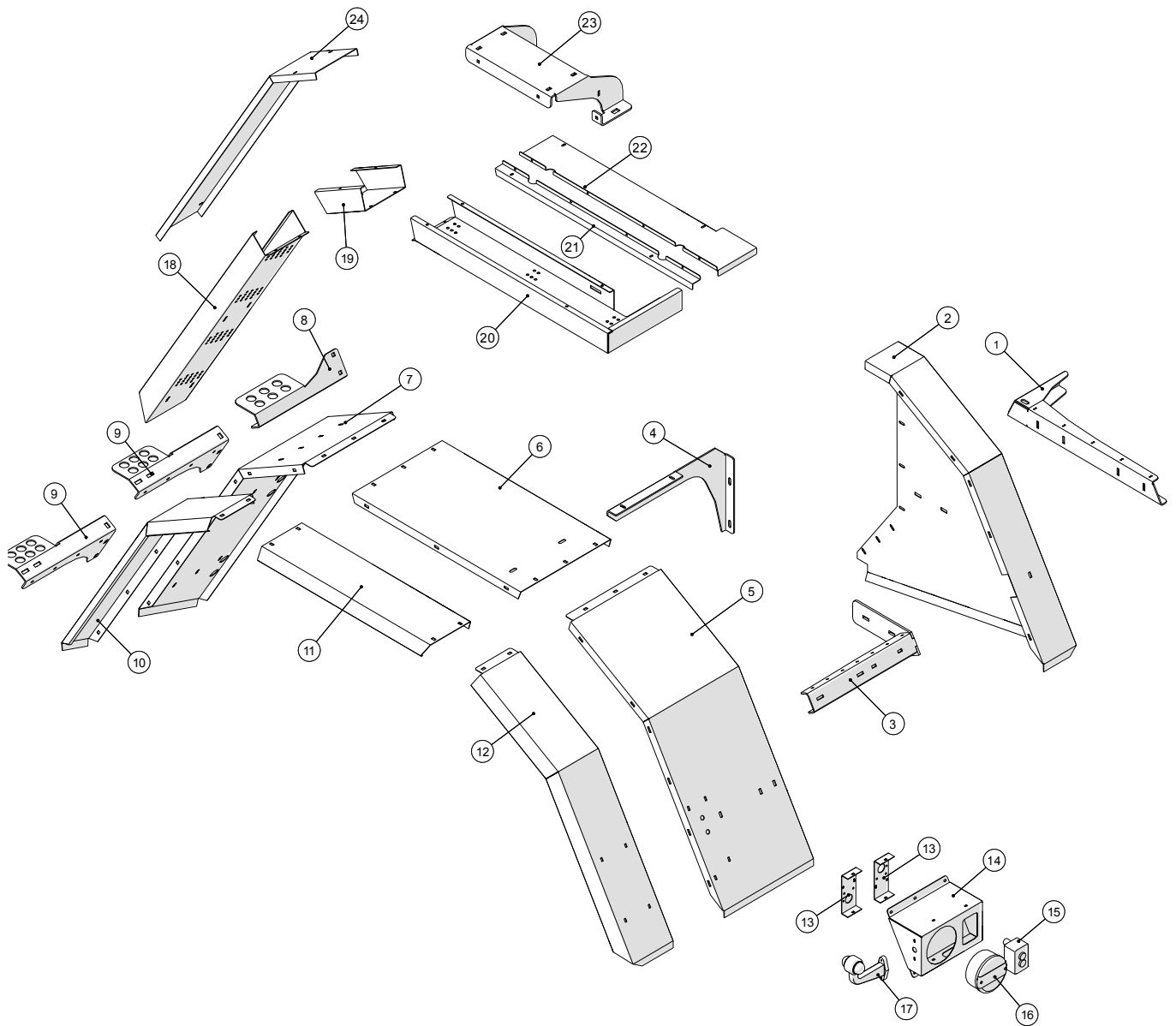
Mudguard, right



Mudguard, right

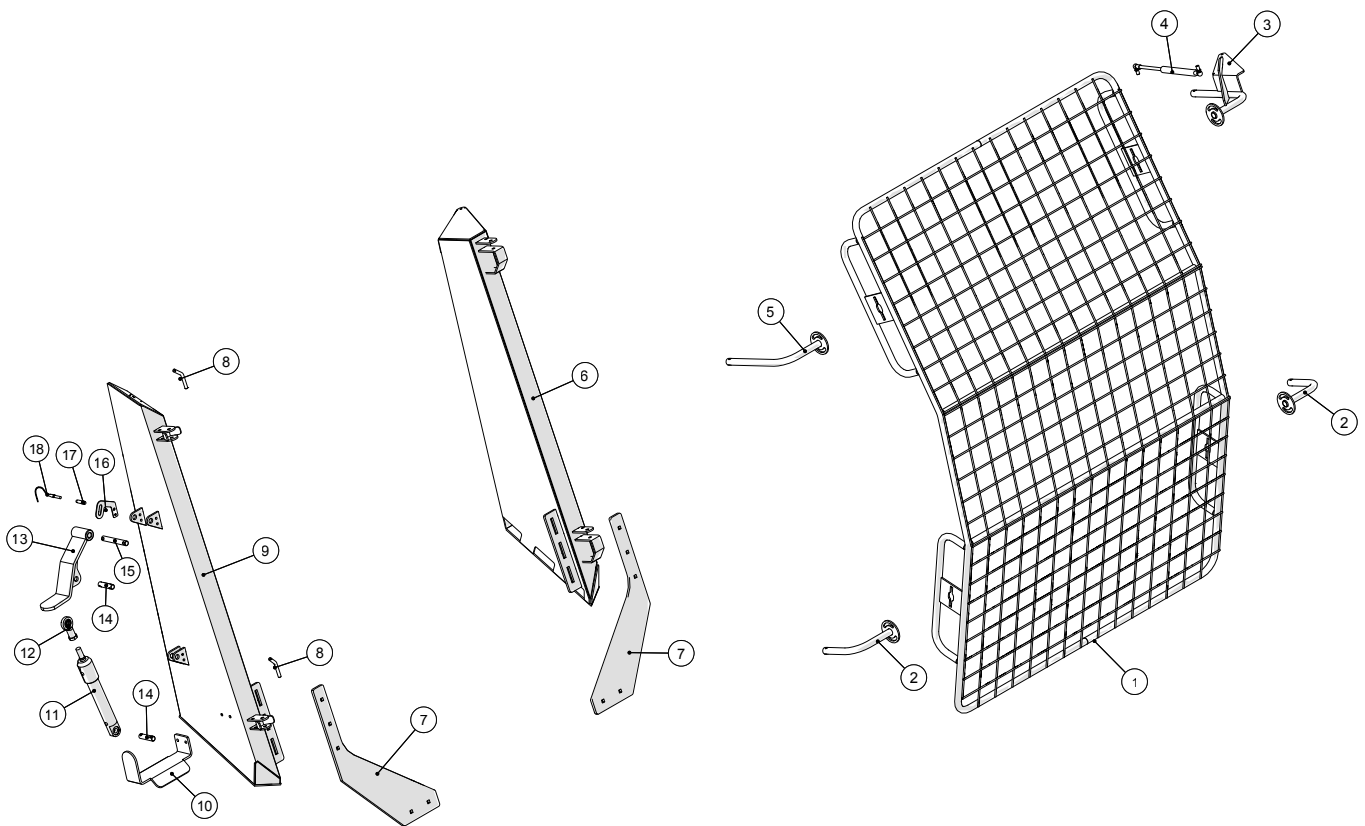
Pos. no.	Item no.	Pcs.	Description	Note
1	25032203	1	Reinforcement	
2	25032429	1	Inner mudguard, right	
3	25031789	1	Support for mudguard, right	
4	25032213	1	Brace for mudguard, right	
5	25032428	1	Rear inner mudguard, right	
6	25032427	1	Upper inner mudguard, right	
7	25032426	1	Front inner mudguard, right	
8	25031416	1	Bracket for mudguard, right	
9	25031716	2	Bracket for mudguard, right	
10	25032696	1	Front outer mudguard, right	
11	25032398	1	Upper outer mudguard, right	
12	25032434	1	Rear outer mudguard, right	
13	25032406	1	Bracket for rear light, right	
14	25017255	1	HELLA rear light	
15	25032404	1	Bracket for rear light and lift switch	
16	1229140055	1	End outline marker T7/TR5	
17	25032669	1	Sponge trap	
18	25032971	1	Lower cable tray	
19	25032972	1	Middle cable tray	
20	25032973	1	Top cable tray, right	
21	25032981	1	Cover for top cable tray, right	
22	25032980	1	Cover for middle cable tray	

Mudguard, left



Mudguard, left				
Pos. no.	Item no.	Pcs.	Description	Note
1	25032200	1	Reinforcement	
2	25032394	1	Inner mudguard, left	
3	25031785	1	Support for mudguard, left	
4	25032212	1	Brace for mudguard, left	
5	25032393	1	Rear inner mudguard, left	
6	25032392	1	Upper inner mudguard, left	
7	25032391	1	Front inner mudguard, left	
8	25031415	1	Bracket for mudguard, left	
9	25031715	2	Bracket for mudguard, left	
10	25032397	1	Front outer mudguard, left	
11	25032398	1	Upper outer mudguard, left	
12	25032399	1	Rear outer mudguard, left	
13	25032404	2	Bracket for rear light and lift switch	
14	25032403	1	Bracket for rear light, left	
15	1229020041	1	Switch for lift	
16	25017255	1	HELLA rear light	
17	1229140055	1	End outline marker T7/TR5	
18	25032971	1	Lower cable tray	
19	25032972	1	Middle cable tray	
20	25032976	1	Top cable tray, left	
21	25032978	1	Small cover for cable tray	
22	25032977	1	Cover for top cable tray, left	
23	25032980	1	Cover for middle cable tray	
24	25032964	1	Bracket for hydraulic oil cooler	

Safety Net

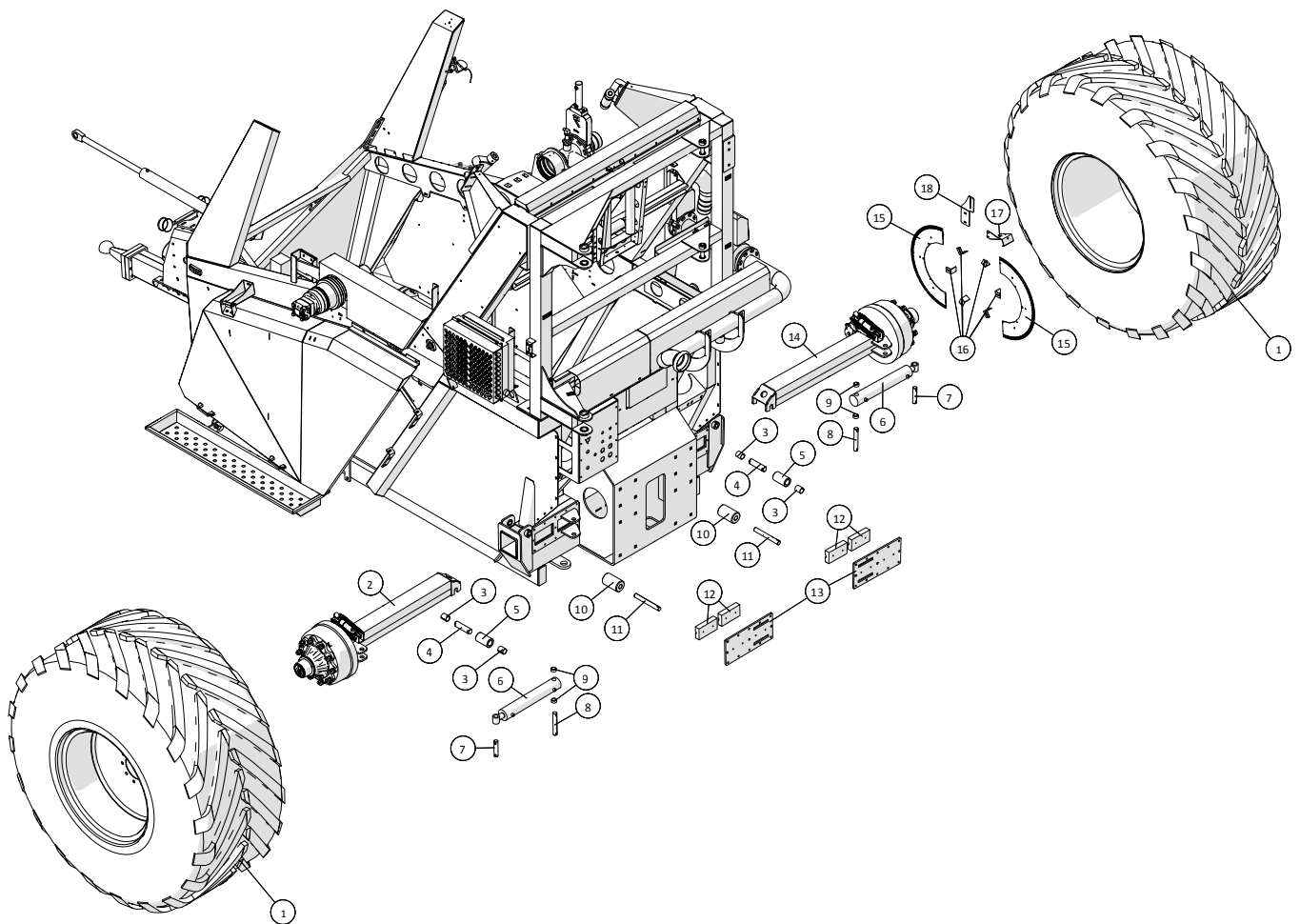


Safety Net

Pos. no.	Item no.	Pcs.	Description	Note
1	25032525	1	Safety net for hose reel	
2	25032612	2	Lower suspension for safety net	
3	25032604	1	Upper-left suspension for safety net	
4	25030019	1	Gas spring	
5	25032605	1	Upper-right suspension for safety net	
6	25032511	1	Tower for safety net	
7	25031398	2	Bracing for tower	
8	25032537	2	locking pin	
9	25031670	1	Transportation tower for crane	
10	25031851	1	Crane hook for hose	
11	2514853009	1	Cylinder NH21-SD 40/25x200	
12	19313005	1	Bearing GIR 20DO	
13	25031685	1	Latch arm	
14	25031666	2	Cylinder pin for crane lock	
15	25031665	1	Mounting pin for crane lock	
16	25031823	1	Bracket for sensor on crane lock	
17	25030013	1	Inductive sensor	
18	25030011	1	Cable for inductive sensor 3m	



Wheels and axles - hydraulic brakes

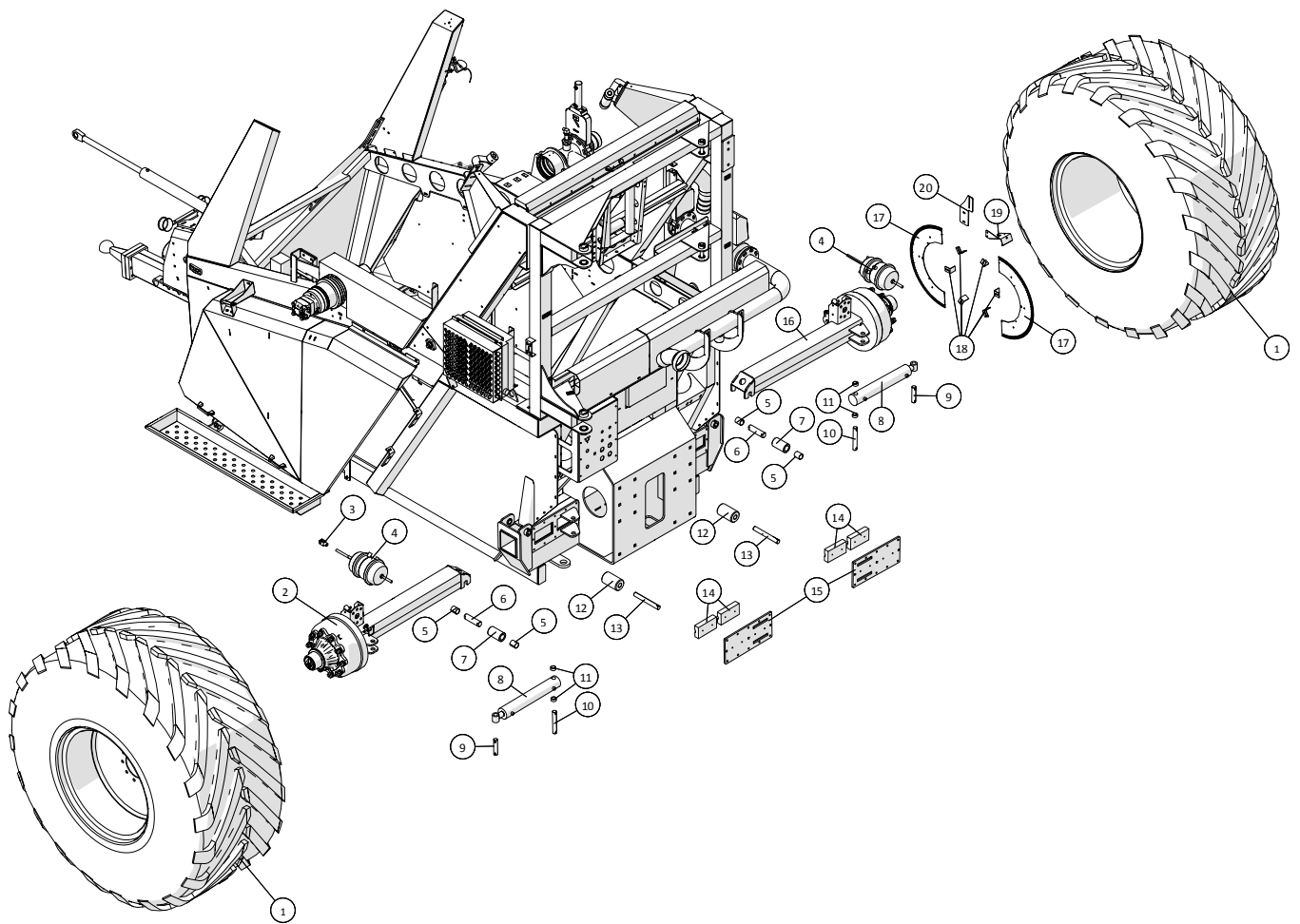


Wheels and axles - hydraulic brakes

Pos. no.	Item no.	Pcs.	Description	Note
1	25038000	2	Wheels AXIOBIB 800/70 R38	
2	25032133	1	Axle with wheel extension left	
3	25038022	2	Cylinder	
4	25032293	2	Pin for cylinder for wheel extensions	
5	25032294	2	Pin for cylinder for wheel extensions	
6	25031309	2	Roller for extension on the rear axle	
7	25031308	2	Pin for roller for wheel extension	
8	25032132	1	Axle with wheel extension right	
9	25032378	2	Sensor plate for wheel sensor with 80 holes	
10	25032387	1	Bracket for wheel sensor	
11	25032379	1	Fork Bracket for wheel sensors	
12	25031807	1	Fitting for bracket for wheel sensor	



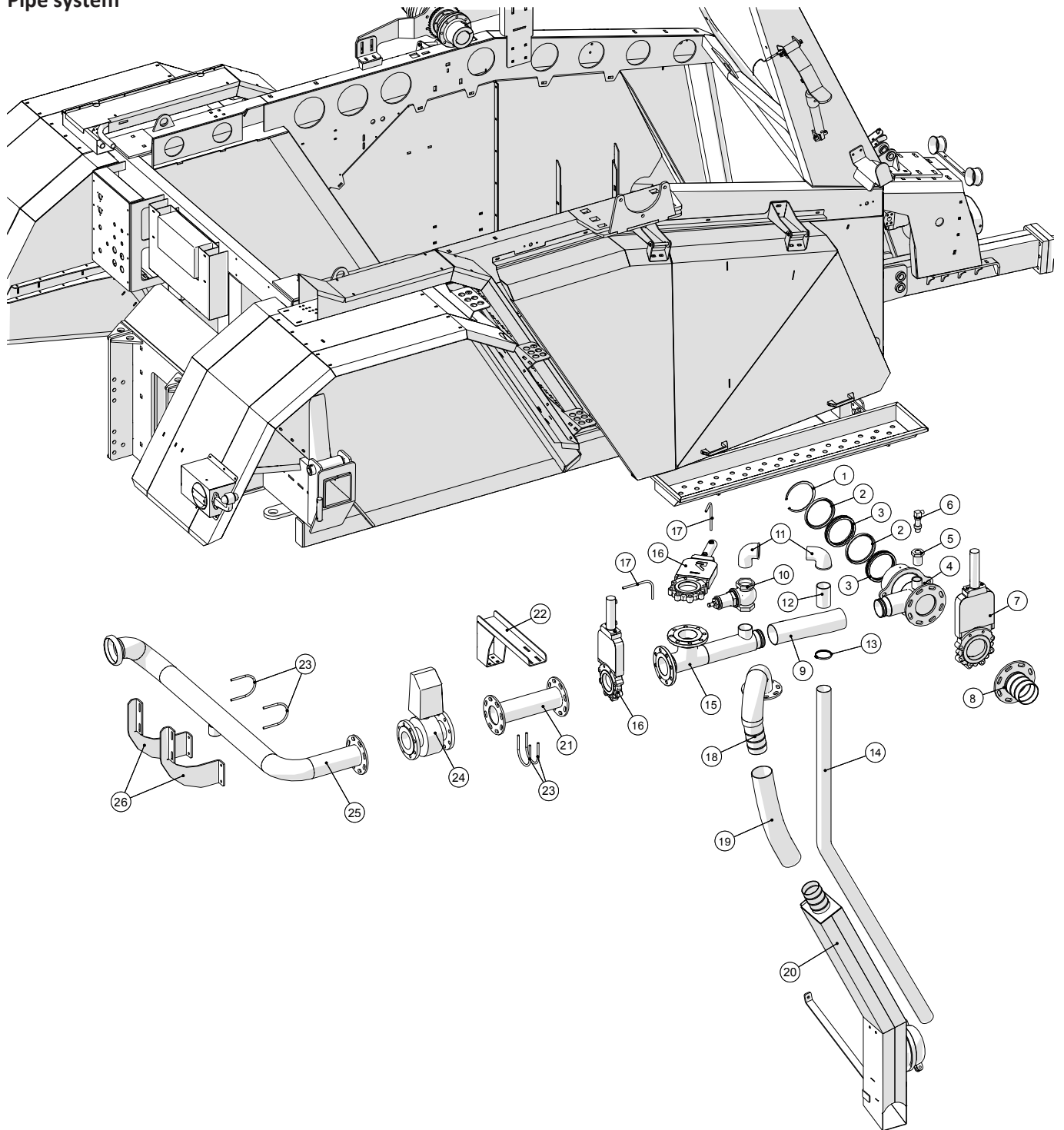
Wheels and axles - air brakes



Wheels and axles - air brakes

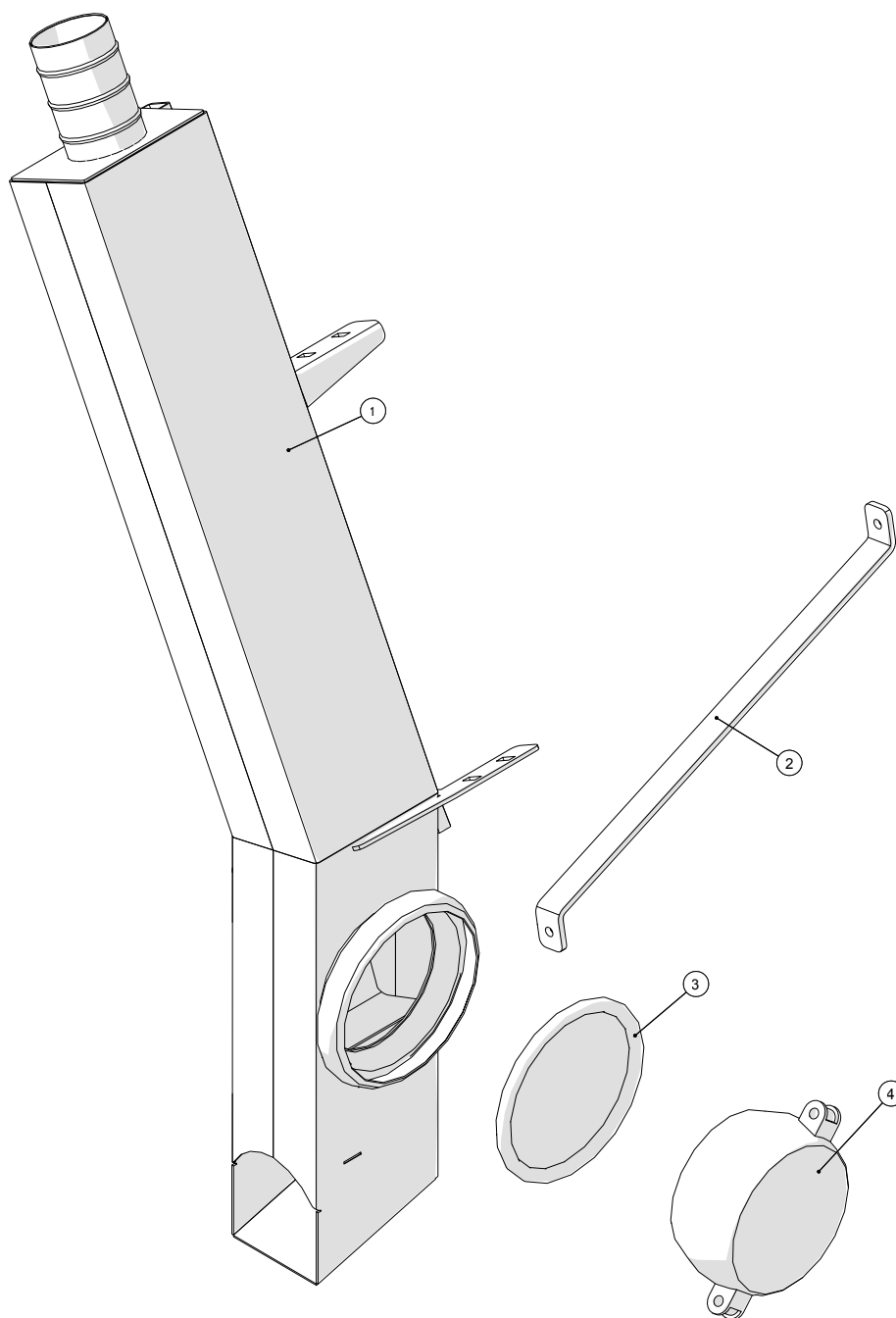
Pos. no.	Item no.	Pcs.	Description	Note
1	25038000	2	Wheels AXIOBIB 800/70 R38	
2	25032147	1	Axle with air brake left	
3	25017738	1	Fork end	
4	25017736	2	Spring brake chamber	
5	25038022	2	Cylinder	
6	25032293	2	Pin for cylinder for wheel extensions	
7	25032294	2	Pin for cylinder for wheel extensions	
8	25031309	2	Roller for extension on the rear axle	
9	25031308	2	Pin for roller for wheel extension	
10	25032146	1	Axle with air brake right	
11	25032378	2	Sensor plate for wheel sensor with 80 holes	
12	25032389	6	Angle bracket for sensor plate	
13	25032379	1	Fork Bracket for wheel sensors	
14	25032136	1	Bracket for wheel sensor	

Pipe system



Pipe system				
Pos. no.	Item no.	Pcs.	Description	Note
1	15140037600180	1	Retaining ring J180x2,5	
2	251476802552	2	Simmerring Type R	
3	251476802580	2	Glide Ring for 5" hose reel	
4	25032950	1	Hose reel outlet	
5	000241458	1	Reduction	
6	13180731	1	Pressure transmitter 7MF1 0-25bar 1"	
7	20144125	1	Ramus gate valve w/cyl. DN125 5"	
8	25032956	1	Hose Nozzle for hose reel outlet	
9		1		
10	13080020-1	1	Pressure relief valve w/o-ring 2½"	
11	000092413	2	Elbow 90° no.92 Galv.2½"	
12	14360022	1	Nipple with 1 thread 2½"x120mm	
13	16200680	1	Clamp 70-90mm	
14	16050020	2m	Hose, blue 2"	
15	25032959	1	T Sponge outlet	
16	20144100	2	Ramus gate valve w/cyl. DN100 4"	
17	25032440	2	Hydraulic pipe for gate valve	
18	25031750	1	Spigot for svampeudtag	
19		1		
20	25032669	1	Sponge trap	
21	251476642880	1	The inlet for flow meter	
22	25033000	1	Holder for slurry pipes	
23	10381115	4	Pipes U-clamp Ø115x145 M10	
24	2514850376	1	Flow Meter	
25	25031570	1	Transverse pipe for manure	
26	25032315	2	Holder for slurry pipes	

Sponge trap



≡ 1 ↓
≡ 2 ↓

A-Z

Slurry Reel System SRS1200
Model year 2014 - 2018

Date: 20/12-2016

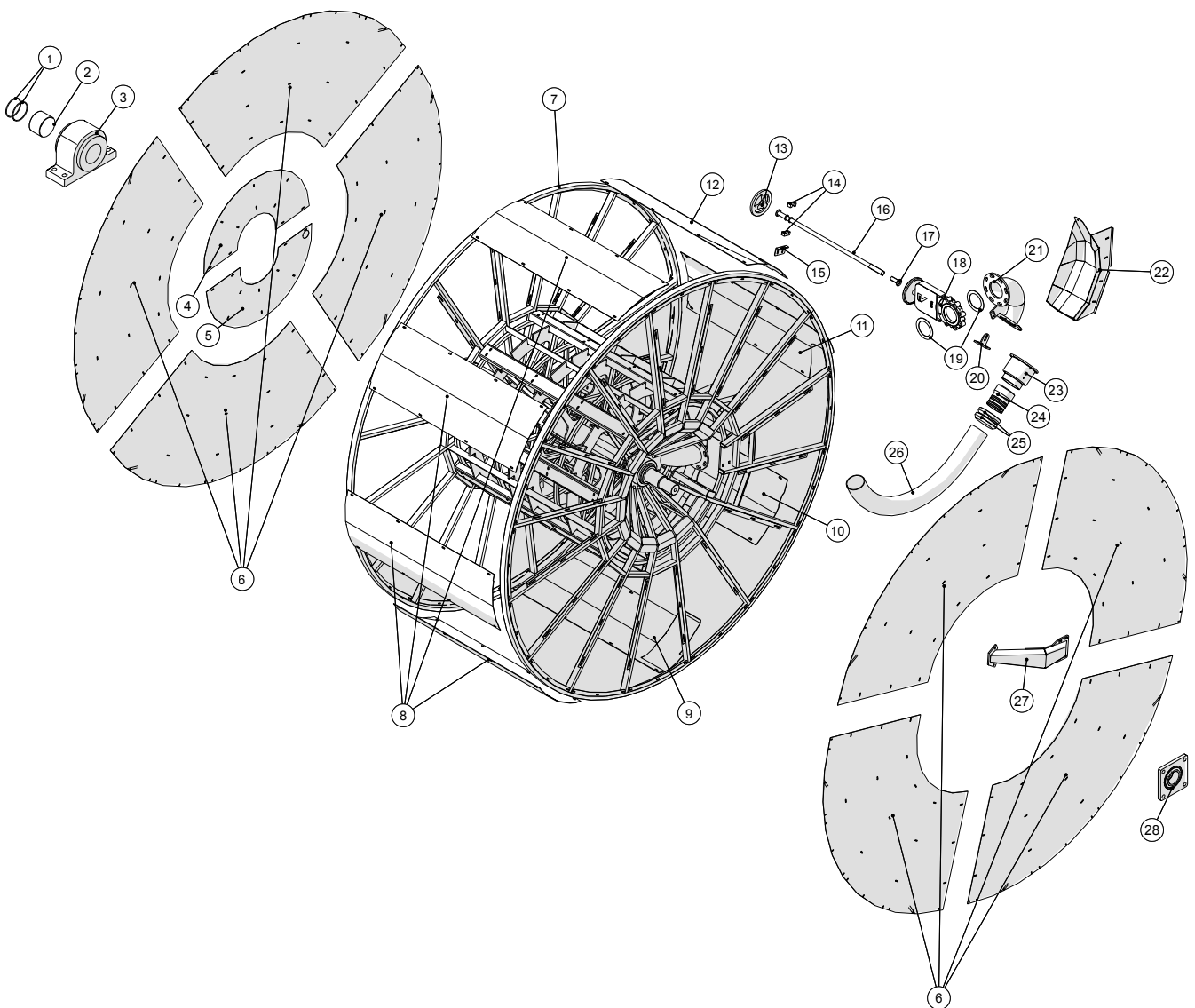
13

Sponge trap

Pos. no.	Item no.	Pcs.	Description	Note
1	25032670	1	Sponge trap	
2	25032456	1	Bracing for Sponge trap	
3	14050046	1	O-ring for Ø194 coupling	
4	14050126	1	BAUER HK End ball 194mm	

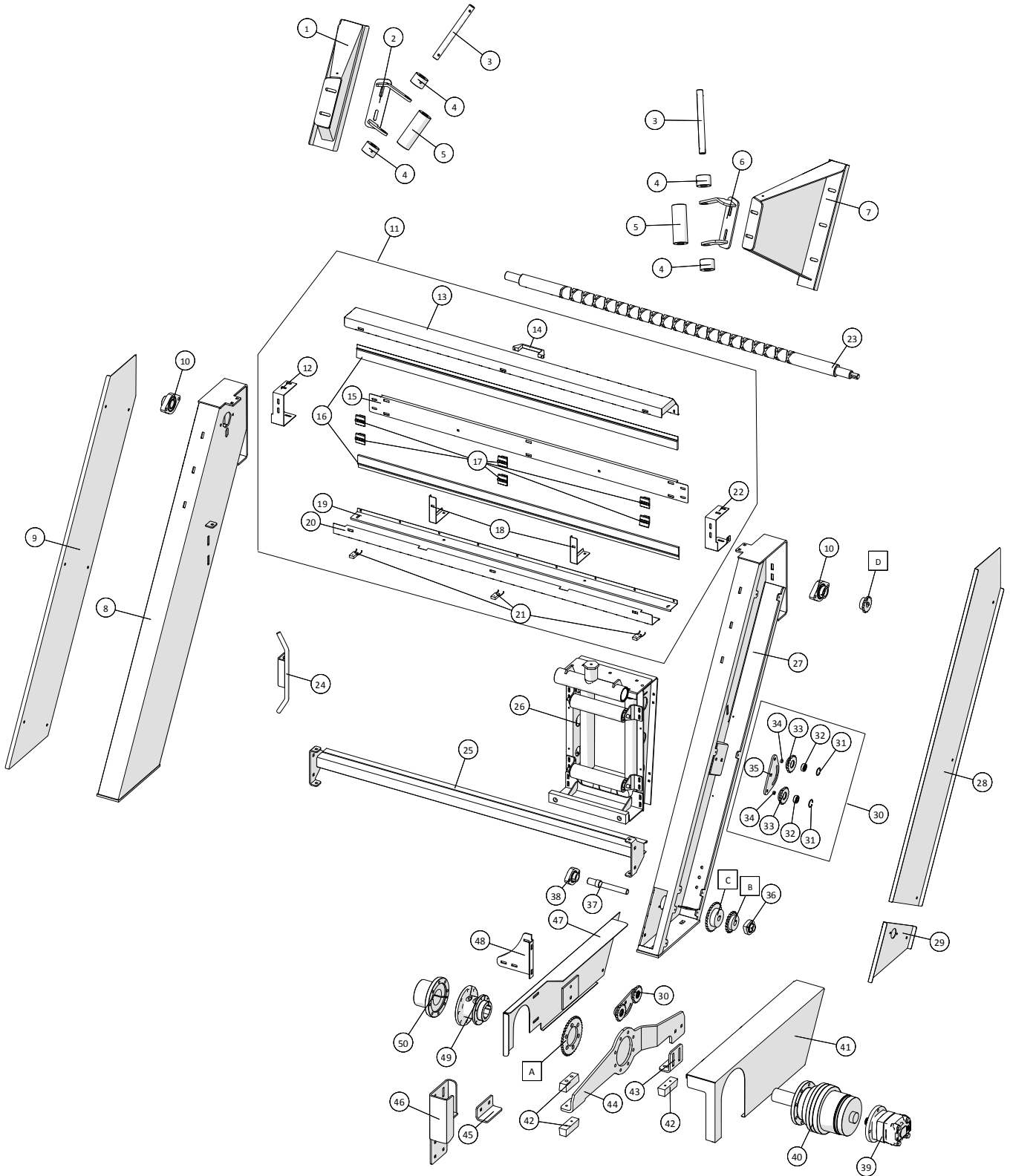


Hose reel



Hose reel				
Pos. no.	Item no.	Pcs.	Description	Note
1	251476802551	2	O-Ring	
2	251476802579	1	Sleeve Bearings	
3	251476802585	1	Plummer Block bearing 150mm	
4	251476804668	1	Stainless steel side panel for Hose reel	
5	251476804669	1	Side panel with hole for handle	
6	251476804672	8	1/4 side panel stainless steel	
7	251476804319	1	Hose reel	
8	251476646070	4	Cover plate	
9	251476804330	1	Cover plate with outlet for swivel	
10	251476802577	1	Cover plate	
11	251476802607	1	Cover plate with cutout	
12	251476688440	1	Cover plate	
13		1	Hand wheel for Ramus gate valve	
14	51000028-01	2	STAUFF Clamp Body, single 28mm	
15	251476804340	1	Bracket for gate valve stem	
16	251476802566	1	Handle extension	
17	251476802563	1	Clamping for handle extension	
18	20144130	1	Gate valve DN125 5"	
19	13250545	2	Flange gasket NW100	
20	251476804326	1	Bracket	
21	251476804313	1	Elbow	
22	251476804687	1	Cover for elbow	
23	251476804300	1	Assembly for swivel 5" complete	
24	251476804325	1	5" Connector for STORZ Segmented binding	
25	14180215-1	2	STORZ Segmented binding 5"	
26	16050475	650m	DRAGMAN pressure hose 4"	4"
26	16050480	610m	DRAGMAN pressure hose 4½"	4½"
26	16050495	550m	ULTRAMAN SPECIAL PU 127mm 5"	5"
27	251476804733	1	Reinforcement Beam for hose reel	
28	25038025	1	Flange bearing RCJ100	

Chain drive



Chain drive				
Pos. no.	Item no.	Pcs.	Description	Note
1	25032471	1	Bracket for support roller for hose reel, right	
2	25032495	1	Roller bracket, right	
3	25032461	2	Shaft for support roller	
4	25032463	4	Nylon Roller for support roller	
5	25032462	2	Roller for support roller	
6	25032490	1	Roller bracket, left	
7	25032465	1	Bracket for support roller for hose reel, left	
8	25031555	1	Right tower support	
9	25031436	1	Shield plate for the right tower support	
10	19312240	2	Flange bearing GLCTE40	
11	25033045	1	Assembly for screen above the worm shaft	
12	25033050	1	Bracket for worm shaft cover	
13	25033047	1	Cover for worm shaft cover	
14	2514803066	1	Handle	
15	25033051	1	Rear panel for worm shaft cover	
16	25038090	2	Ravning brush H5 45mm	
17	1513820116	6	Hinge	
18	25033087	2	Angle for worm shaft cover	
19	25033048	1	Bottom plate for worm shaft cover	
20	25033046	1	Lower cover for worm shaft cover	
21	1513820117	3	Tension latch	
22	25033052	1	Left suspension for worm shaft cover	
23	25031499	1	Worm shaft for hose guide 5" hose	
24	25032444	2	Scraper for worm shaft	
25	25031455	1	Support rail for hose guide	
26	25033030	1	Top hose guide	
27	25031440	1	Support for tower	
28	25031435	1	Shield plate for the left tower support	
29	25032650	1	Small shield plate for the left tower support	
30	25031486	2	Chain tensioner	
31	15140037600037	2	Retaining ring J37	
32	19300630102	2	Ball Bearing 6301 2RS	
33	251476635930	2	Sprocket 5/8" z=16	
34	25031488	2	Spacer for chain tensioner for worm shaft	
35	25031487	1	Plate for chain tensioner for worm shaft	
36	19312225	1	Flange bearing GLCTE25	
37	25032601	1	The shaft for the shaft	
38	19312230	1	Flange bearing GLCTE30	
39	1363151B3039	1	Oil engine OMTS315	

Date: 20/12-2016

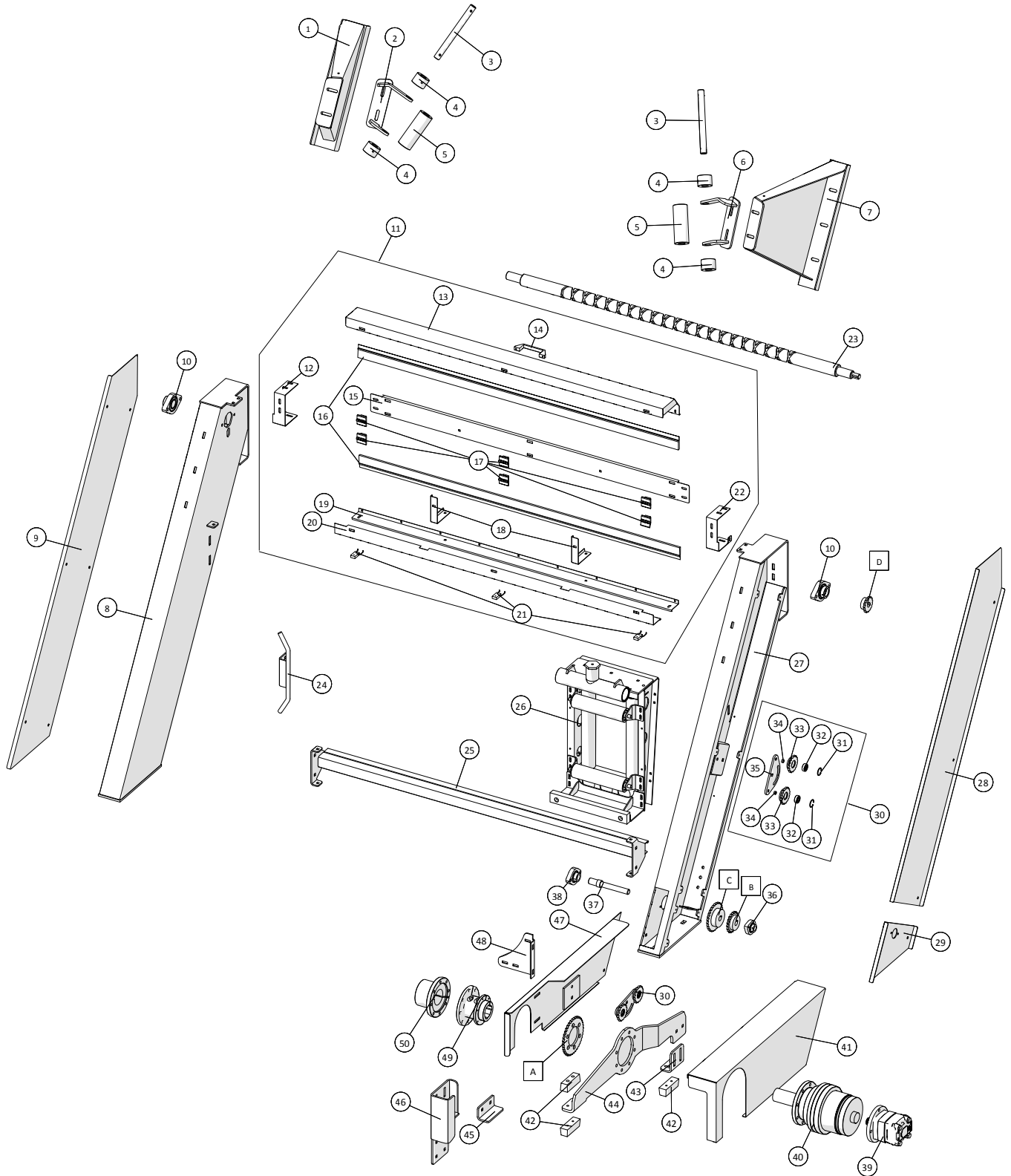
15-1

Slurry Reel System SRS1200
Model year 2014 - 2018

≡ 1 ↓
≡ 2 ↓

A-Z

Chain drive



Chain drive

Pos. no.	Item no.	Pcs.	Description	Note
40	1363R1542883	1	S.A.H.R. brake RF5 / 85 OMTS	
40	1363154B5753M7	1	Gear RR510 MC - 5.80/1	
41	25031482	1	Screen chain box for worm shaft	
42	25038053	3	Rubber Buffer 120x40	
43	25032111	1	Angle for torque arm	
44	25031521	1	Torque arm for hose reel	
45	25031527	1	Bracket for torque plate	
46	25031525	1	Torque plate	
47	25031478	1	Chain guard for worm shaft	
48	25033203	1	Bracket for chain guard	
49	25031551	1	Hub for hose reel engine - engine side	
50	25031550	1	Hub for hose reel engine - hose reel side	

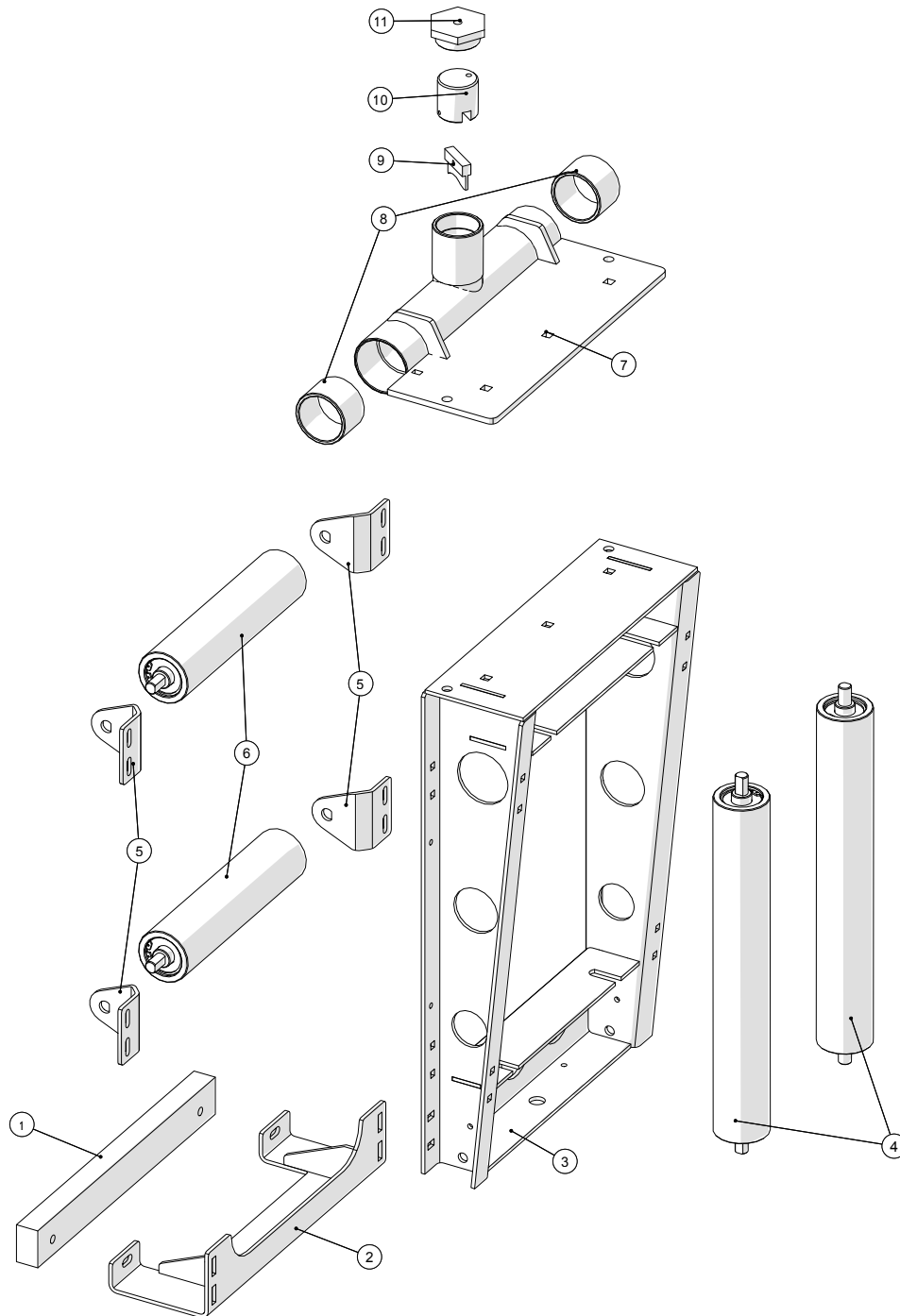
Gearing

Pitch		A		B		C		D	
"	∅	z	Item no.	z	Item no.	z	Item no.	z	Item no.
		38	25031680	16	251476641620	15	251476641970	16	251476641620
5"	∅138,97	38	25031680	28	251476641630	32	251476641632	20	251476641660
5"	∅140,74	38	25031680	27	25130100	25	25032250	16	251476641620
5"	∅138,2	38	25031680	28	251476641630	32	251476641632	20	251476641660
4"	∅111	38	25031680	28	251476641630	23	251476691840	18	251476636950
5"	∅142,5	38	25031680	16	251476641620	15	251476641970	16	251476641620
5"	∅143,6	38	25031680	27	25130100	27	25130100	17	251476641617
5"	∅140,74	38	25031680	27	25130100	25	25032250	16	251476641620

Formula for the calculation of the sprockets: $((A/B)*(C/D))*64$



Hose guide, top

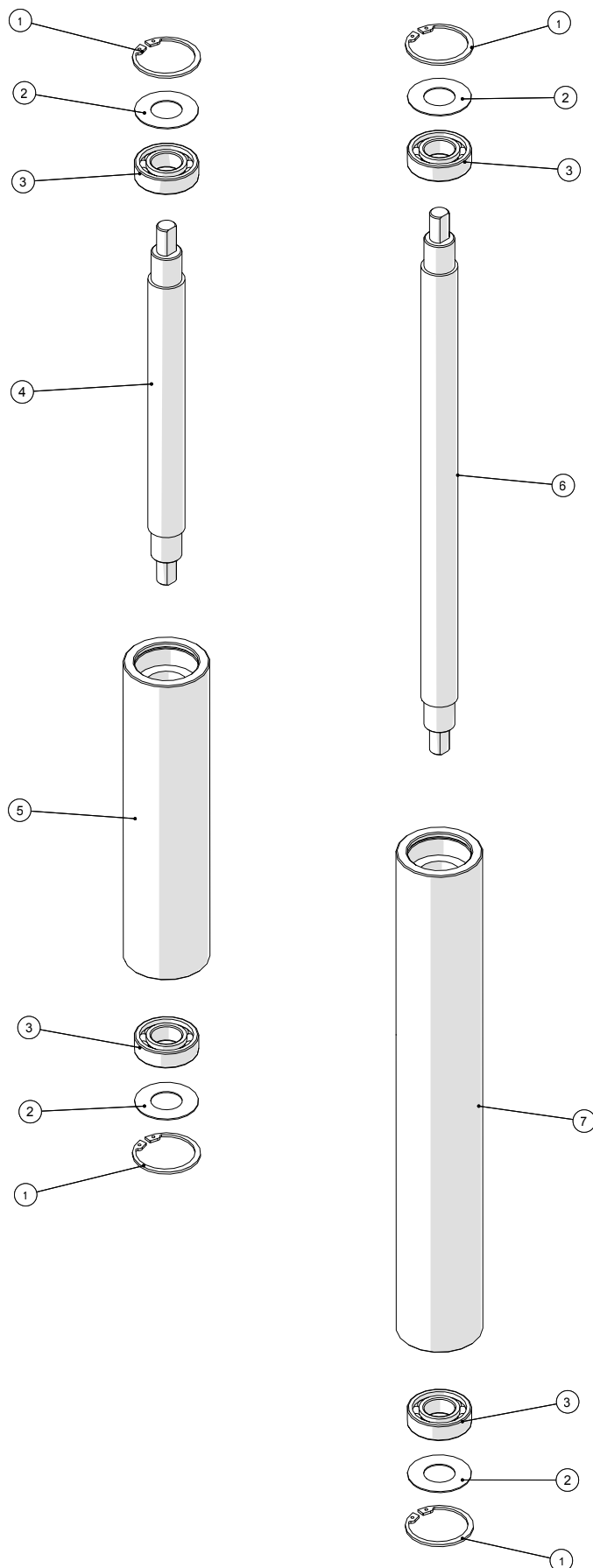


Hose guide, top

Pos. no.	Item no.	Pcs.	Description	Note
1	25033041	1	Guide Block for hose guide	
2	25033053	1	Bracket for guide block	
3	25033031	1	Frame for hose guide	
4	25033172	2	Vertical nylon roller for hose guide, complete	
5	251476649840	4	Roll holder for top hose steering	
6	25033170	2	Horizontal nylon roller for hose guide, complete	
7	25033069	1	Bracket with nut	
8	251476632670	2	Bush for top hose guide	
9	251476632620	1	Guide pin for top hose guide	
10	251476688700	1	Guide block for guide pin	
11	25033049	1	Plug for hose guide	



Hose guide rollers

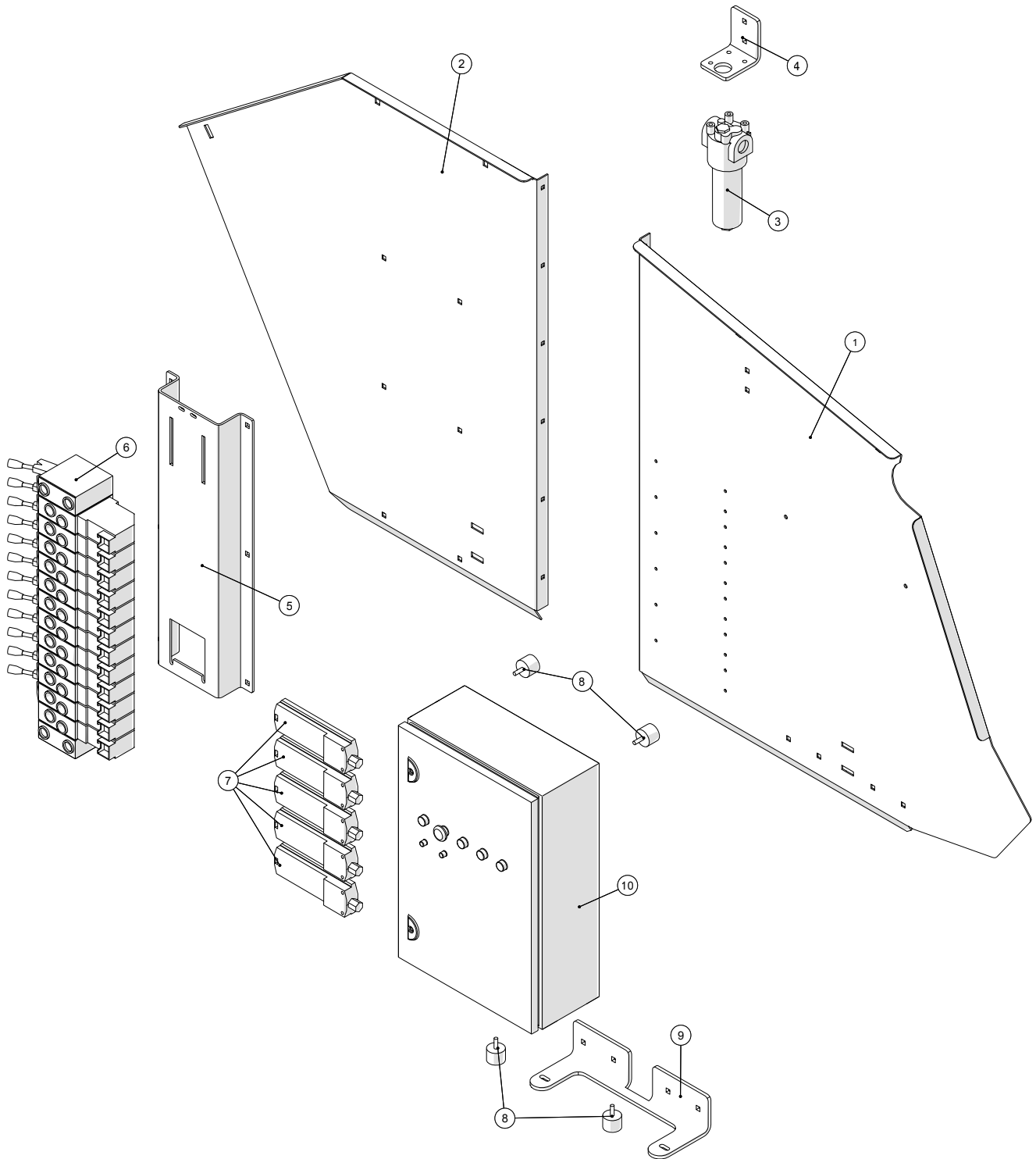


Hose guide rollers

Pos. no.	Item no.	Pcs.	Description	Note
1	25141905420	12	Socket screw M8x12	
2	251476634760	4	Stop ring for roller on hose guide	
3	2514932252	4	Retaining ring J52	
4	251476620650	4	Disc	
5	2514500798	4	Ball bearing 6205-2RS	
6	251476649820	1	Roller for hose guide	
7	251476648520	1	Roller for hose guide	
8	251476648560	1	Pin for tension roller	
9	251476648540	1	Pin for tension roller	
10	251476649830	1	Protection hose for hose reel	
11	251476648580	1	Protection hose for hose reel	



Hydraulics, right

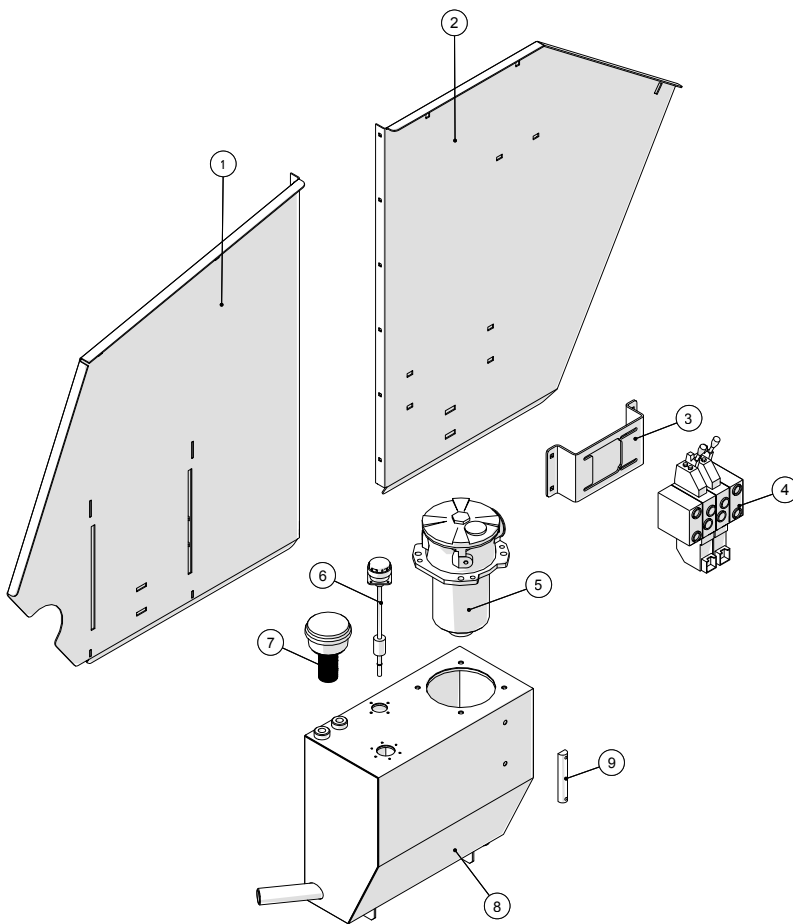
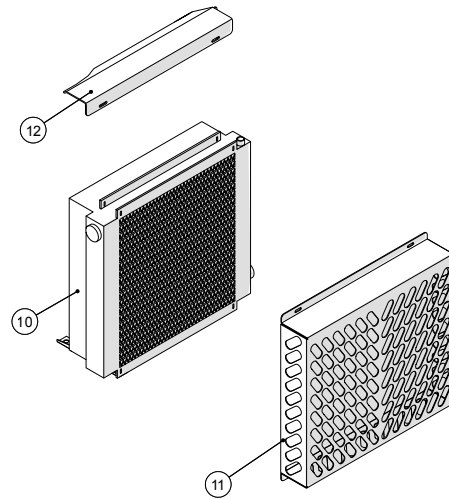


Hydraulics, right

Pos. no.	Item no.	Pcs.	Description	Note
1	25032736	1	Front cover for hydraulics, right	
2	25032697	1	Rear cover for hydraulics, right	
3	23615910	1	Mahle pressure filter PI3608-011 NBR with filter 1108 MIC10	
4	25032758	1	Bracket for pressure filter for PVG	
5	25032738	1	Mounting plate for large PVG block	
6	25037335	1	PVG 12 sections	to 2015
6	136383043859	1	PVG32 valve 12block sections	from 2015
7	25019025	5	Canbus module	
8	23130350	4	Rubber damper w/threading	
9	25032739	1	Mounting plate for Control box	
10		1	Control box	



Hydraulics, left

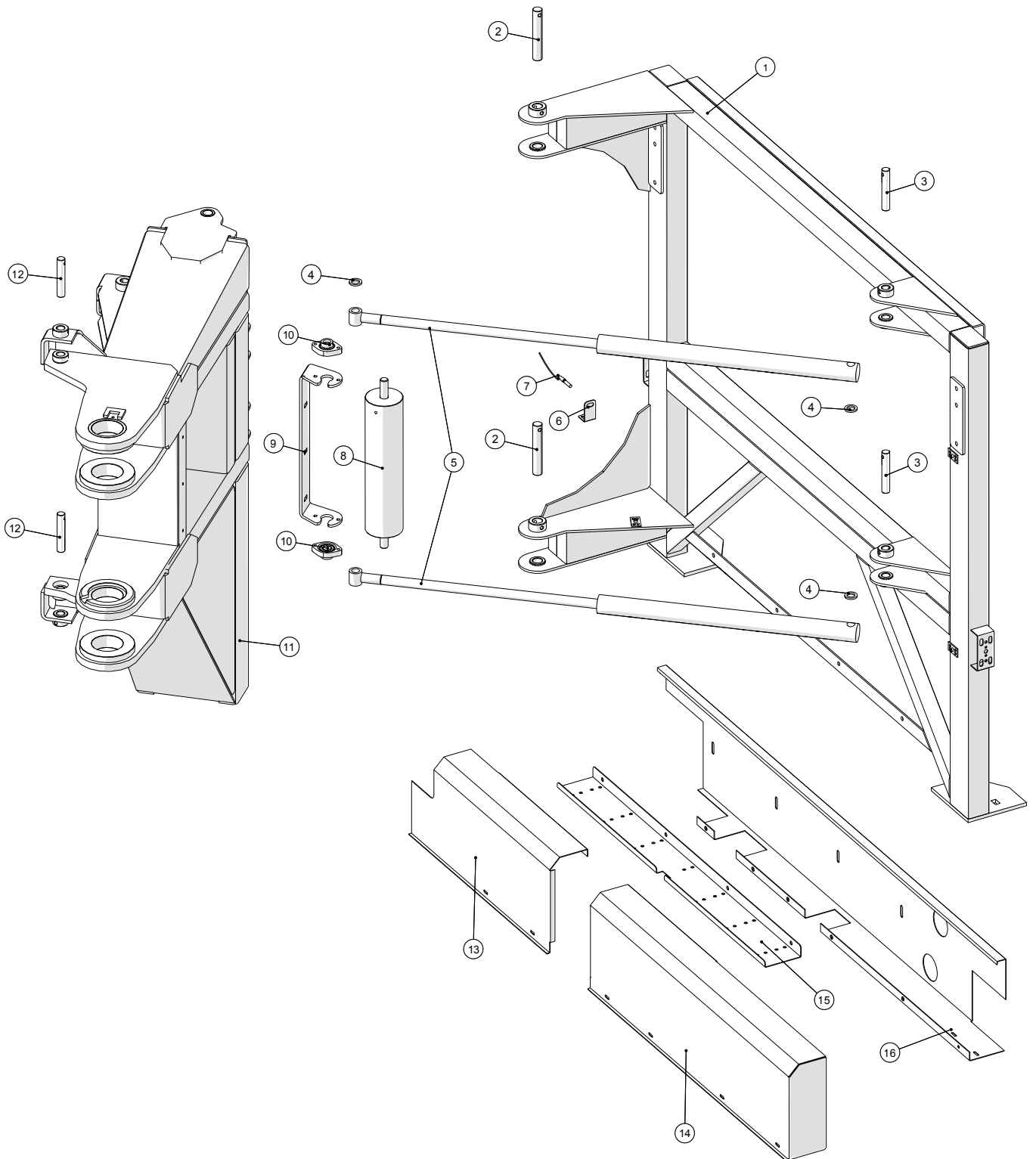


Hydraulics, left

Pos. no.	Item no.	Pcs.	Description	Note
1	25032771	1	Front cover for hydraulics, left	
2	25032698	1	Rear cover for hydraulics, left	
3	25032761	1	Mounting plate for small PVG block	
4	25037320	1	PVG 2 sections	to 2015
4	136383043858	1	PVG32 Valve small	from 2015
5	2514851468	1	Return filter complete ikron	
	25132495		Return filter element	
6	2514851239	1	Level gauge HMFb-ST-S = 230-TS70	
7	2514851243	1	Air filter complete PI O126 MIC	
8	25031720	1	Hydraulic tank	
9	2514851242	1	Oil level gauge	
10	2514702598	1	Air / oil cooler	
	2514702298		Fan for air / oil cooler	Only fan
11	25032968	1	Screen cooler	
12	25033026	1	Brace for hydraulic cooler	



Crane, swivel arm

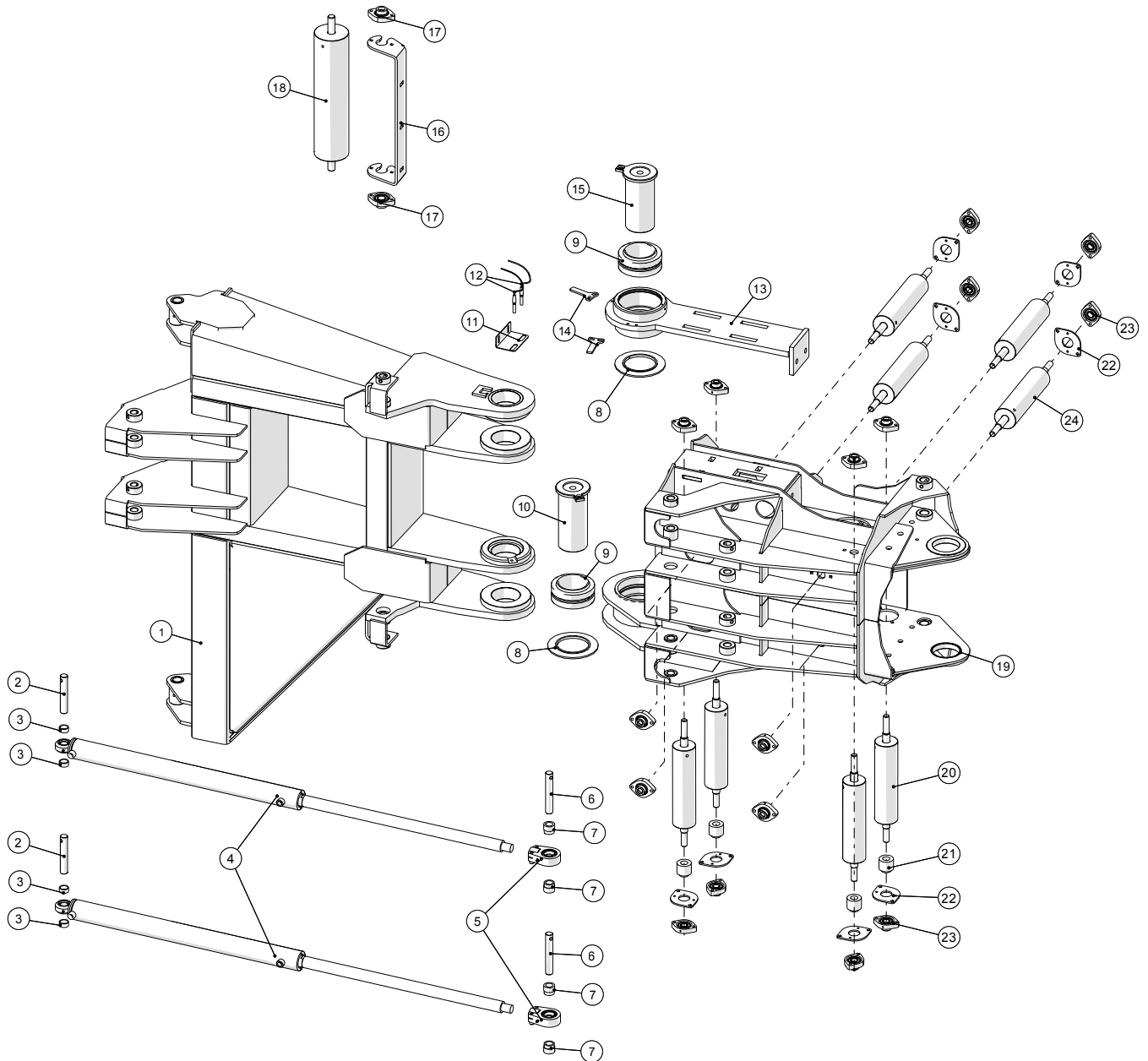


Crane, swivel arm

Pos. no.	Item no.	Pcs.	Description	Note
1	25031590	1	Suspension Frame for crane	
2	25031604	2	Pin for tower	
3	25031605	2	Cylinder pin for tower	
4	25032997	3	Washer for cylinder link arm	
5	25038020	2	Cylinder for swivel arm $\varnothing 50 \times \varnothing 30 \times 700$	
6	25031824	1	Brackets for position sensor on crane	
7	25030011	1	Cable for sensor 3m	
8	25033330	1	Corner Roller	
9	25033328	1	Bracket for front corner roller	
10	19312225	2	Flange bearing GLCTE25	
11	25033210	1	Swivel arm	
12	25031606	2	Pin for cylinder	
13	25032312	1	Cover above hydraulic hoses on tower	
14	25032313	1	Right cover for hydraulic hoses on tower	
15	25032314	1	Tray for hydraulic hoses on tower	
16	25032318	1	Cover plate for hydraulic hoses on tower	



Crane, inner joint

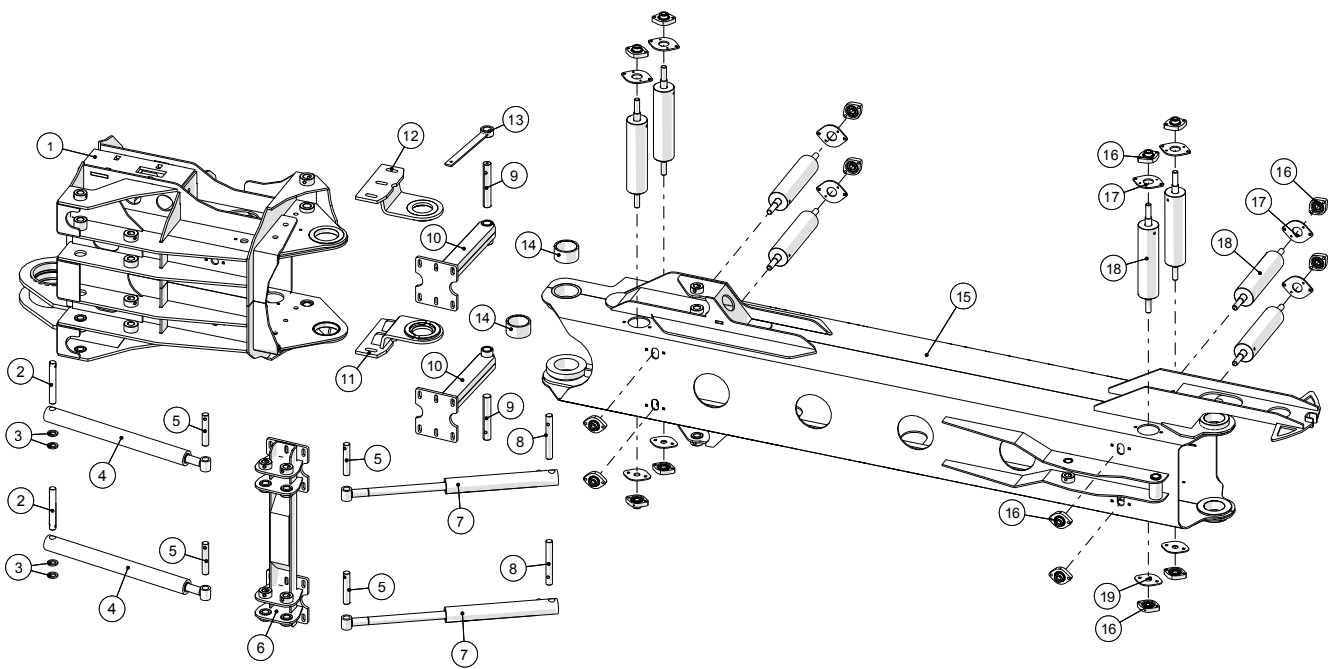


Crane, inner joint

Pos. no.	Item no.	Pcs.	Description	Note
1	25033210	1	Swivel arm	
2	25033282	2	Pin for cylinder	
3	25033296	4	Distance bushing	
4	25032078	2	Cylinder for swivel arm	
5	13500761	2	Spherical Plain Bearings with housing	
6	25033283	2	Pin large cylinder	
7	25033327	4	Distance bushing	
8	25033242	2	Wear bushing	
9	25030515	2	Sleeve bearing GE100 ES	
10	25033288	1	Large pin for swivel arm with locking bracket	
11	25033396	1	Brackets for positioning sensor on crane	
12	25030011	2	Cable for sensor 3m	
13	25033218	1	Upper hinges on inner joint	
14	25033291	2	Sensor element	
15	25033290	1	Large pin for swivel arm with locking plate top	
16	25033328	1	Bracket for front corner roller	
17	19312225	2	Flange bearing GLCTE25	
18	25033330	1	Corner Roller	
19	25033211	1	Inner Crane joint	
20	25033293	4	Vertical roller with 25mm axle 20mm bearing	
21	25033294	4	Distance bushing for vertical roller 25mm axle	
22	25032790	8	Mounting plate for flange bearing	
23	19312224	16	Flange bearing GLCTE20 oval	
24	25032830	4	Horizontal nylon roller complete	



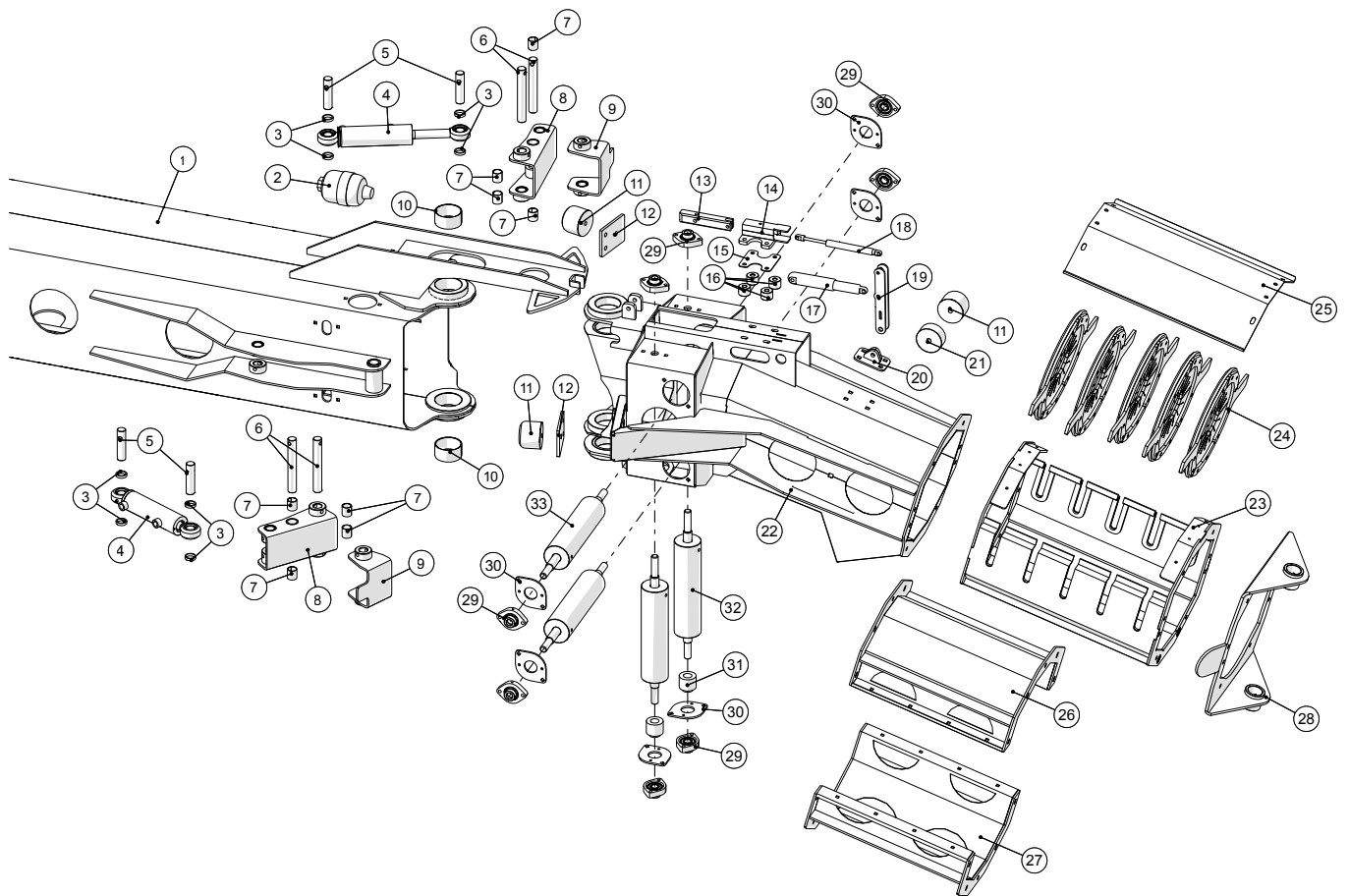
Crane, middle



Crane, middle

Pos. no.	Item no.	Pcs.	Description	Note
1	25033211	1	Inner Crane joint	
2	25033284	2	Pin for cylinder	
3	25032997	4	Distance bushing	
4	25041224-1	2	Cylinder $\varnothing 50 \times \varnothing 30 \times 500$	
5	25031606	4	Pin for cylinder	
6	25032256	1	Stanchion for link arm	
7	25038021	2	Cylinder for transport position $\varnothing 50 \times \varnothing 30 \times 300$	
8	25032162	2	Pin for cylinder	
9	25032163	2	Trunnion for swingarm for crane	
10	25032860	2	Link arm	
11	25033310	1	Top	
12	25033313	1	Bracket for top	
13	25032265	1	Bracket for hydraulic hoses on crane	
14	25033307	2	Wear bushing	
15	25033334	1	Middle arm	
16	19312224	16	Flange bearing GLCTE20 oval	
17	25032790	8	Mounting plate for flange bearing	
18	25033385	8	Roller with 25mm axle 20mm bearing	
19	25033381	4	Protection plate	

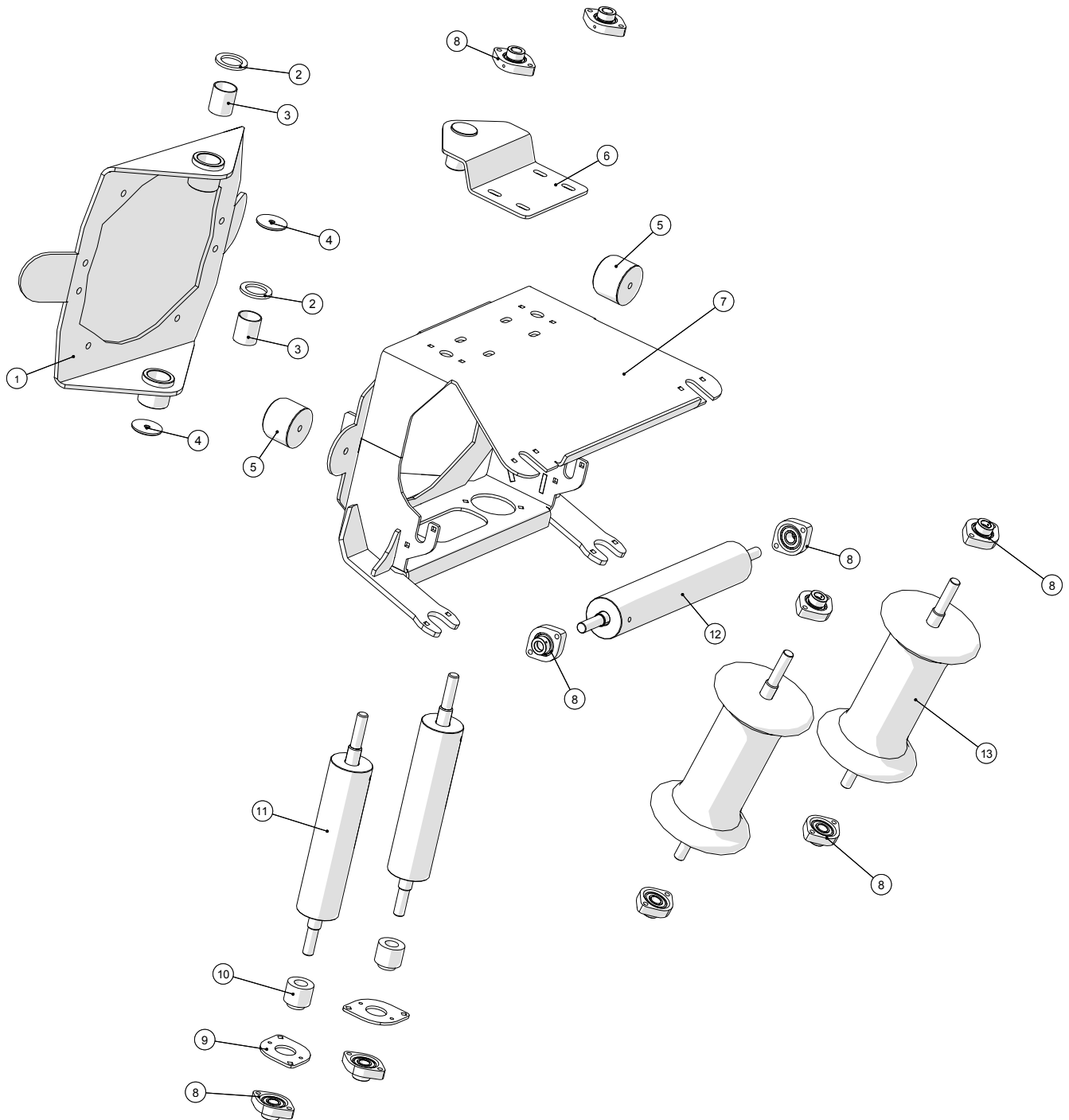
Crane, outer



Crane, outer

Pos. no.	Item no.	Pcs.	Description	Note
1	25033334	1	Middle arm	
2	2514851355	1	Accumulator 0.35LTR 100 BAR	
3	25033386	8	Distance Ring	
4	25032039	2	Cylinder $\varnothing 50 / 25 \times 100$	
5	25033377	4	Pin for cylinder	
6	25033378	4	Pin for cylinder	
7	25030094	8	Sleeve Bearings	
8	25033379	2	Tilting bracket	
9	25033388	2	Tilting bracket for damping	
10	25030093	2	Sleeve Bearings	
11	25032006	3	Vibration absorber 83X60, M12	
12	25033391	2	Pressure plate for outer part	
13	25032170	1	Pin Lock	
14	25032172	1	Lock	
15	25032260	1	Adjusting plate for lock	
16	25033393	4	Adjusting for lock	
17	25038012	1	Linear actuator	
18	25038016	1	Gas Spring	
19	25032185	1	Torque arm	
20	25032190	1	Base plate	
21	25032067	1	Spacer	
22	25033212	1	Outer crane hinge	
23	25033121	1	Cleaning cassette for crane	
24	25033127	5	Scrapers	
25	25033122	1	Cover for cleaning cassette	
26	25033195	1	Extension top	
27	25033190	1	Extension top	
28	25032740	1	Hinge for outer crane joint	
29	19312224	8	Flange bearing GLCTE20 oval	
30	25032790	6	Mounting plate for flange bearing	
31	25033294	2	Distance bushing for vertical roller 25mm axle	
32	25033293	2	Vertical roller with 25mm axle 20mm bearing	
33	25032830	2	Horizontal nylon roller complete	

Crane, inlet

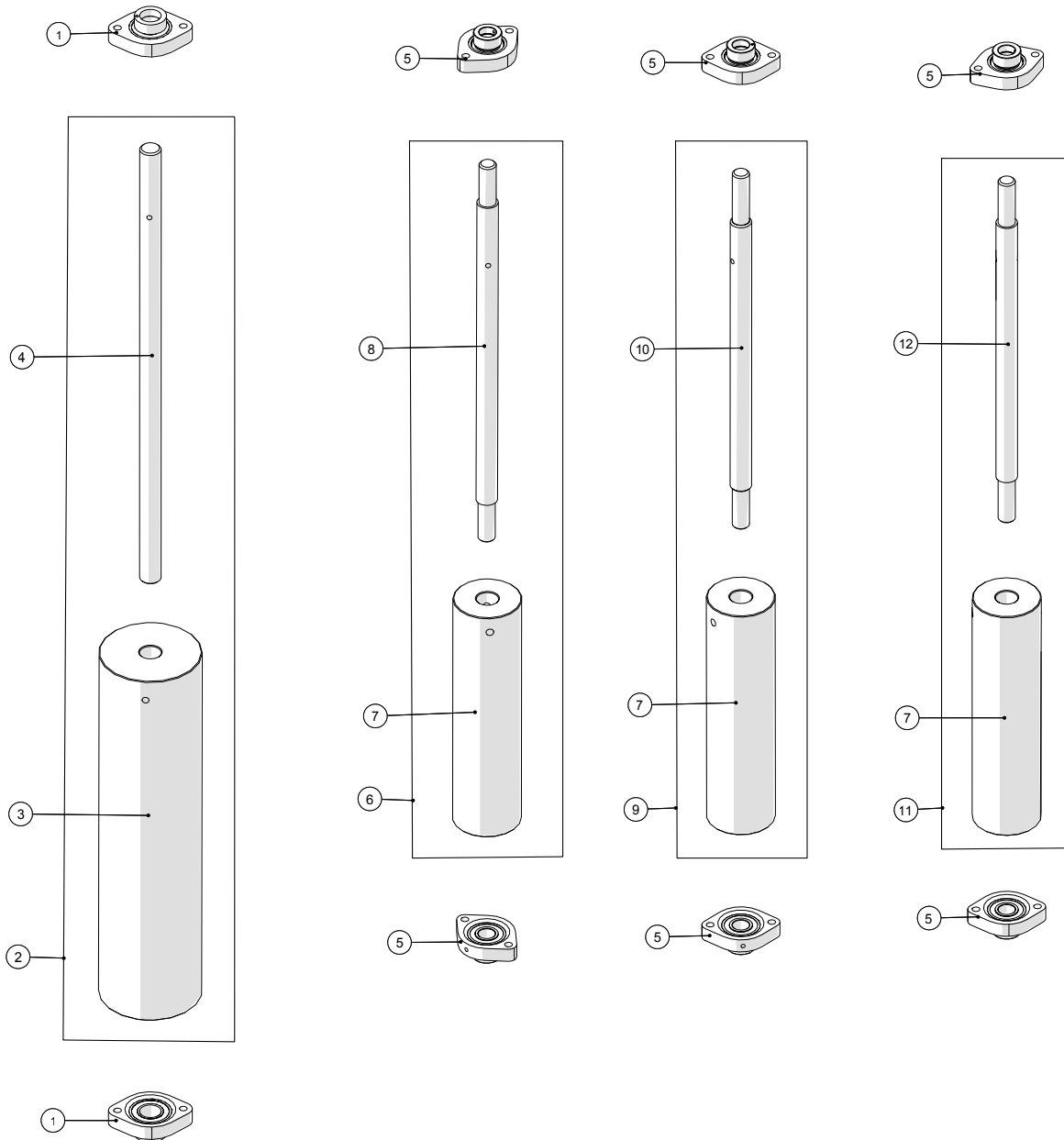


Crane, inlet

Pos. no.	Item no.	Pcs.	Description	Note
1	25032740	1	Hinge for outer crane joint	
2	25032759	2	Wear Ring for outer crane joints	
3	1513820125	2	Sleeve bearing 40x44x50	
4	25032760	2	Washer for hinge for outer crane joint	
5	25032006	2	Vibration absorber 83X60, M12	
6	25032762	1	Top hinge joint	
7	25032816	1	Frame for inlet	
8	19312224	10	Flange bearing GLCTE20 oval	
9	25032790	2	Mounting plate for flange bearing	
10	25033294	2	Distance bushing for vertical roller 25mm axle	
11	25033293	2	Vertical roller with 25mm axle 20mm bearing	
12	25033176	1	Wide horizontal roller in inlet	
13	25032834	2	Inlet Roller	



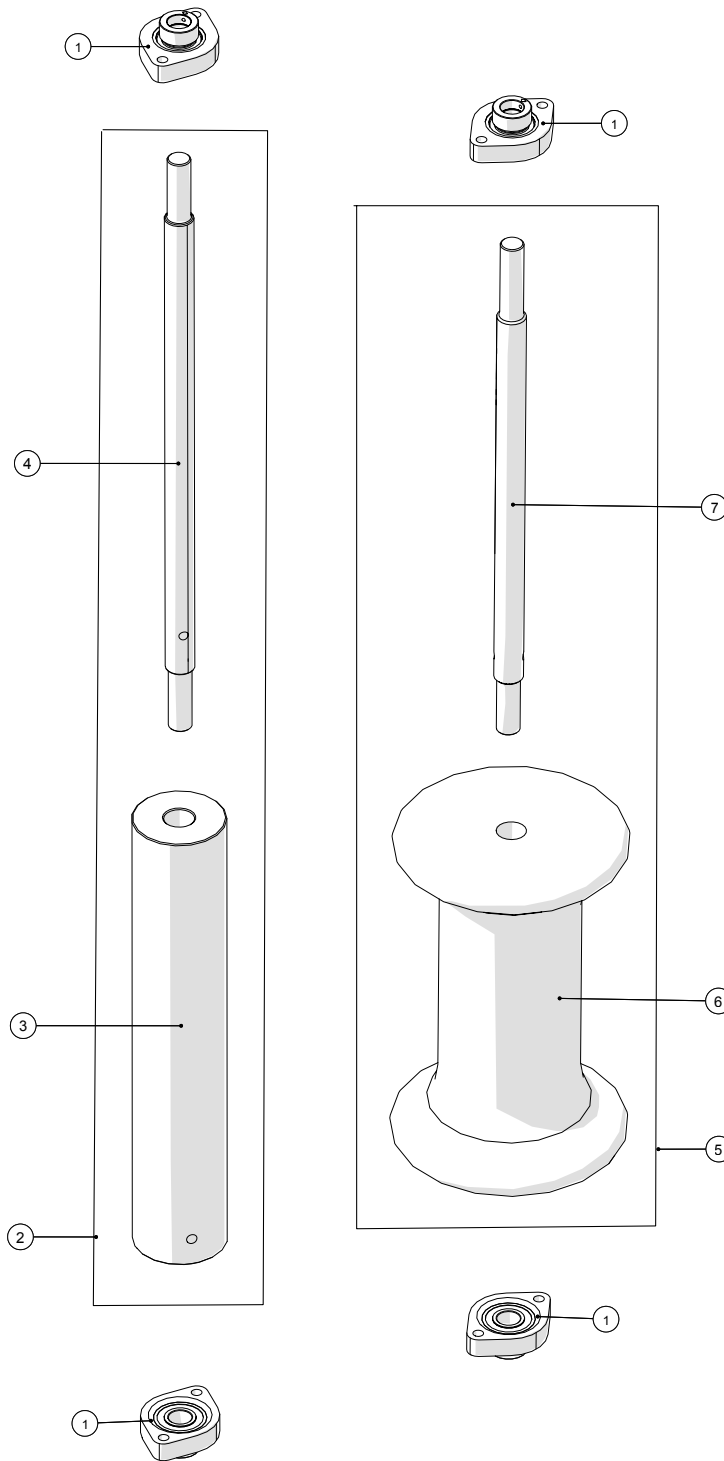
Supporting rollers with outer bearing



Supporting rollers with outer bearing

Pos. no.	Item no.	Pcs.	Description	Note
1	19312225	2	Flange bearing GLCTE25	
2	25033330	1	Corner Roller	
3	25033329	1	Support roller for crane	
4	25033332	1	Shaft for vertical roller	
5	19312224	6	Flange bearing GLCTE20 oval	
6	25032830	1	Horizontal nylon roller complete	
7	25033304	3	Support roller for crane	
8	25033305	1	Shaft for horizontal roller	
9	25033293	1	Vertical roller with 25mm axle 20mm bearing	
10	25033292	1	25mm shaft for 20mm bearing for vertical roller	
11	25033385	1	Roller with 25mm axle 20mm bearing	
12	25033384	1	Shaft for horizontal roller	

Inlet rollers with outer bearings



≡ 1 ↓
≡ 2 ↓

A-Z

Slurry Reel System SRS1200
Model year 2014 - 2018

Date: 20/12-2016

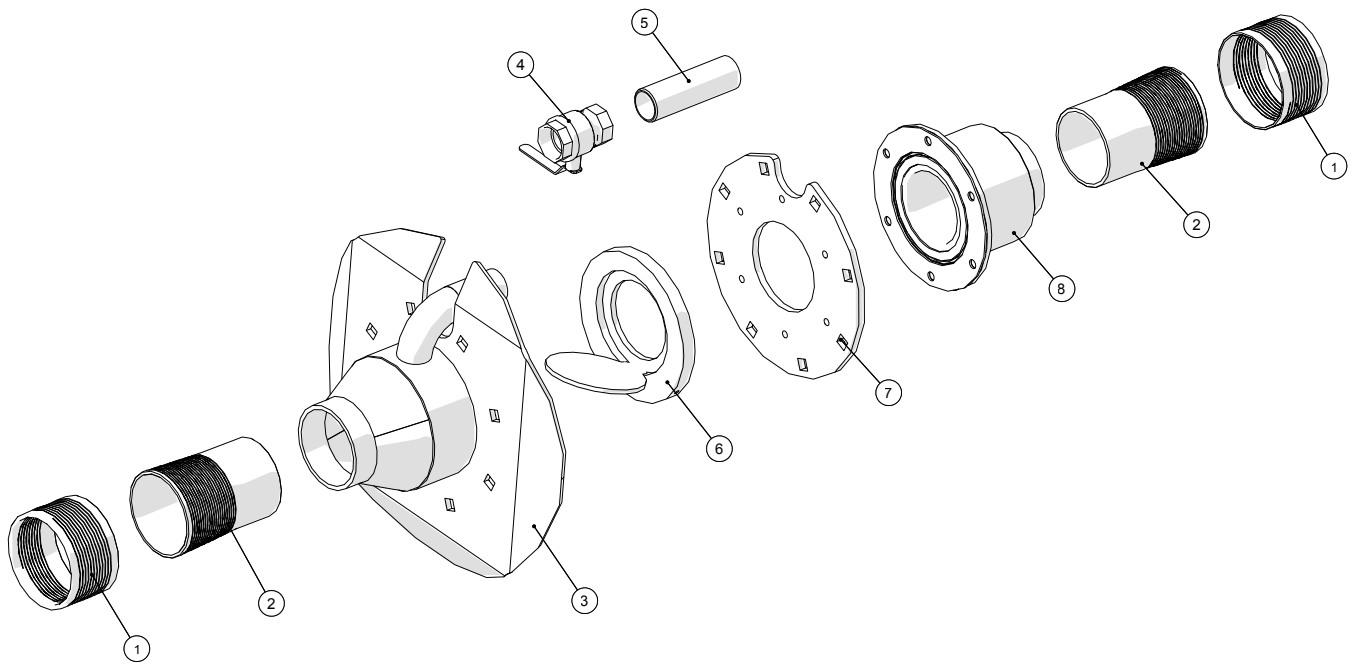
26

Inlet rollers with outer bearings

Pos. no.	Item no.	Pcs.	Description	Note
1	19312224	4	Flange bearing GLCTE20 oval	
2	25033176	1	Wide horizontal roller complete	
3	25033174	1	Wide horizontal roller	
4	25033175	1	Shaft for horizontal roller	
5	25032834	1	Inlet roller complete	
6	251476803679	1	Inlet roller	
7	251476804541	1	25mm shaft for 20mm bearing for inlet roller	



Hose Stop

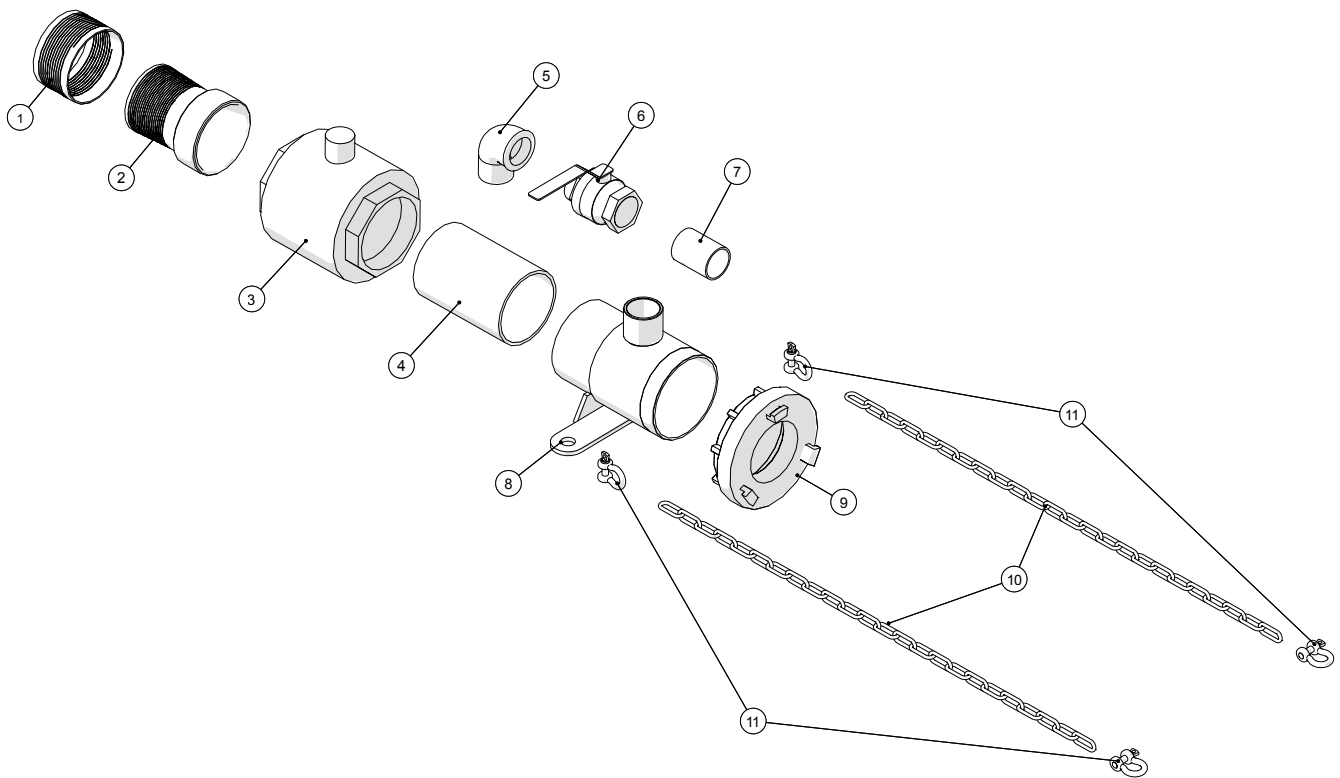


Hose Stop

Pos. no.	Item no.	Pcs.	Description	Note
1	16150515-02	2	Ring for Armtex hose 5"	
2	16150520-01	2	Hose connector 5"x4" BSP - ARMTEX /PU	
3	25032701	1	Housing for check valve	
4	13100012	1	Ball valve female/female 1½"	
5	14360010	1	Nipple w/1 thread black 1½"x150mm	
6	13692125	1	Check valve Ø150	
7	25032707	1	Flange for hose stop for crane	
8	25032568	1	Swivel for hydrant valves	



Hose assembly

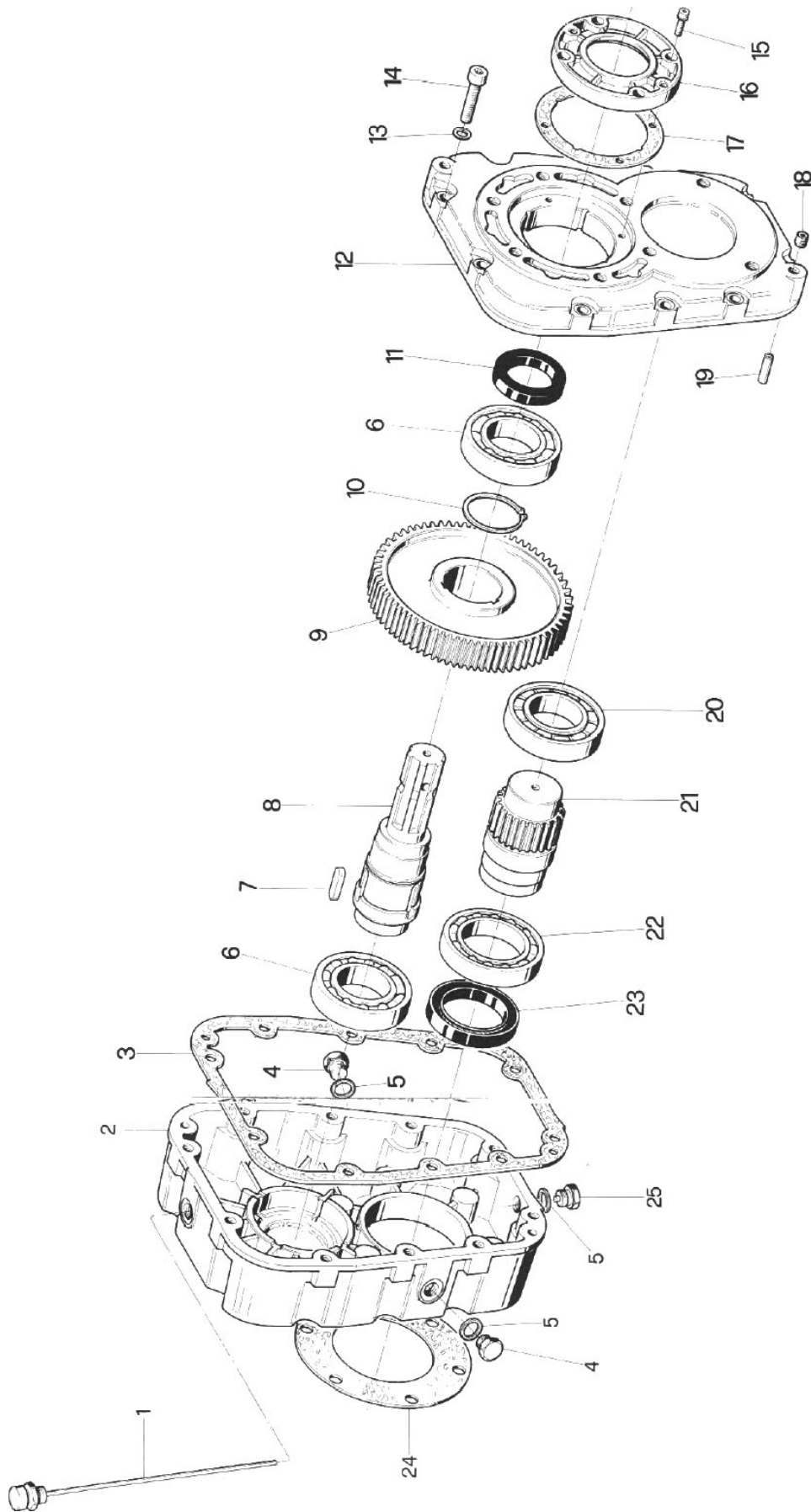


Hose assembly

Pos. no.	Item no.	Pcs.	Description	Note
1	16150515-02	1	Ring for Armtex hose 5"	
2	16150530-01	1	Hose connector 5"x5" BSP	
3	13100024	1	Ball valve female/female 5"	
4	012200417	1	Nipple galv. 5"x200mm	
5	000092412	1	Elbow 90° No.92 galv. 2"	
6	13100074	1	Ball valve female/male 2"	
7	012080412	1	Nipple galv. 2"x80mm	
8	251476803926	1	Breather pipe 6" male - 5" female	
9	141800453	1	STORZ Adapters w/female thread 150x6" BSP	
10	181085016	2	Longlink chain galv. 6mm	
11	181085112	4	H-Shackle galv. 3/8"	



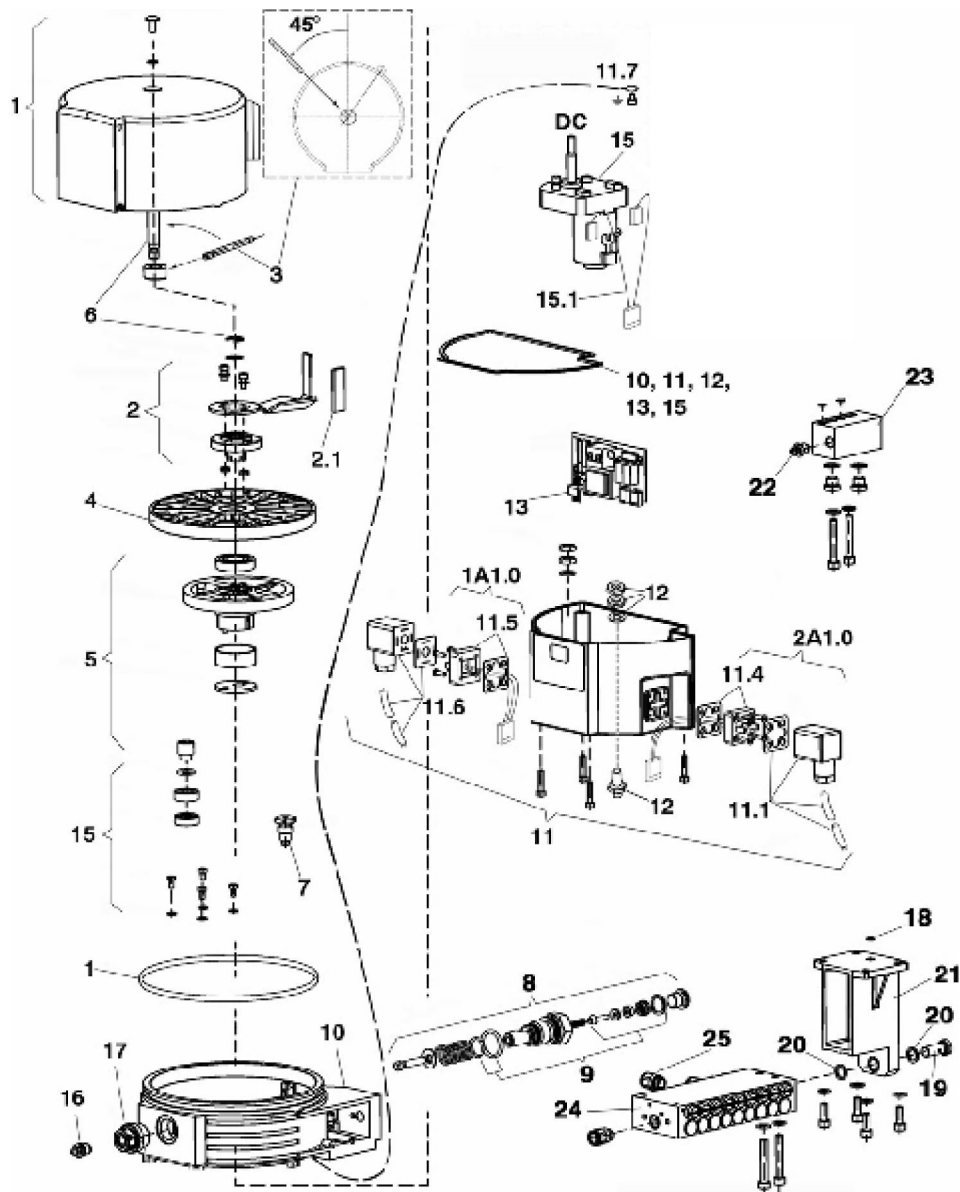
Speed-up gear B600



Speed-up gear B600

Pos. no.	Item no.	Pcs.	Description	Note
1	136349115700	1	Gauge 3/8"	
2	136339035100	1	Gear housing	
3	136339207300	1	Gasket, paper	
4	136349100700	2	Drain plug 3/8" metal	
5	136339207100	3	Washer, PVC	
6	136344001600	2	Bearing 6210 50x90x20	
7	136343201200	1	Parallel key A10x8x35 DIN6885	
8	136334208300	1	Spline shaft 1" 3/8	
9	136335002700	2	Sprocket	0,66 1/1
	136334224200	1	Driveshaft	
	136335004100	1	Sprocket	0,50 1/2
	136335005500	1	Sprocket	0,38 1/2,6
	136335002100	1	Sprocket	0,37 1/1,5
	136335005300	1	Sprocket	0,33 1/3
	136335005400	1	Sprocket	0,29 1/3,4
	136335004000	1	Sprocket	0,26 1/3,8
10	136342201600	1	Retaining ring A55	
11	136344105100	1	Simmerring 50x65x8	
12	136339035000	1	cover	
13	136342100900	10	Washer S10	
14	136340003200	10	Hex cap socket screw M10x50 8.8 UNI 5931	
15	136340007300	4	Hex cap socket screw w/flange M6x20	
16	136339031200	1	Centering flange	
17	136339203600	1	Gasket for centering flange, paper	
19	136343000400	2	Parallel pin 8x30 UNI1707	
20	136344003200	1	Bearing NJ210 50x90x20	
21	136335002700	2	Sprocket	1 1/1
	136334224200	1	Driveshaft	
	136335004200	1	Sprocket	0,66 1/1,5
	136334224200	1	Driveshaft	
	136334224100	1	Driveshaft	0,50 1/2
	136334235200	1	Driveshaft	0,38 1/2,6
	136334229900	1	Driveshaft	0,33 1/3
	136334235100	1	Driveshaft	0,29 1/3,4
136334224000	1	Driveshaft	0,26 1/3,8	
22	136344001800	1	Bearing 6012 60x95x18	
23	136344105000	1	Simmerring 60x85x10	
24	136339203800	1	Universal flange gasket, paper	
25	136349101600	1	Magnetic plug 3/8"	

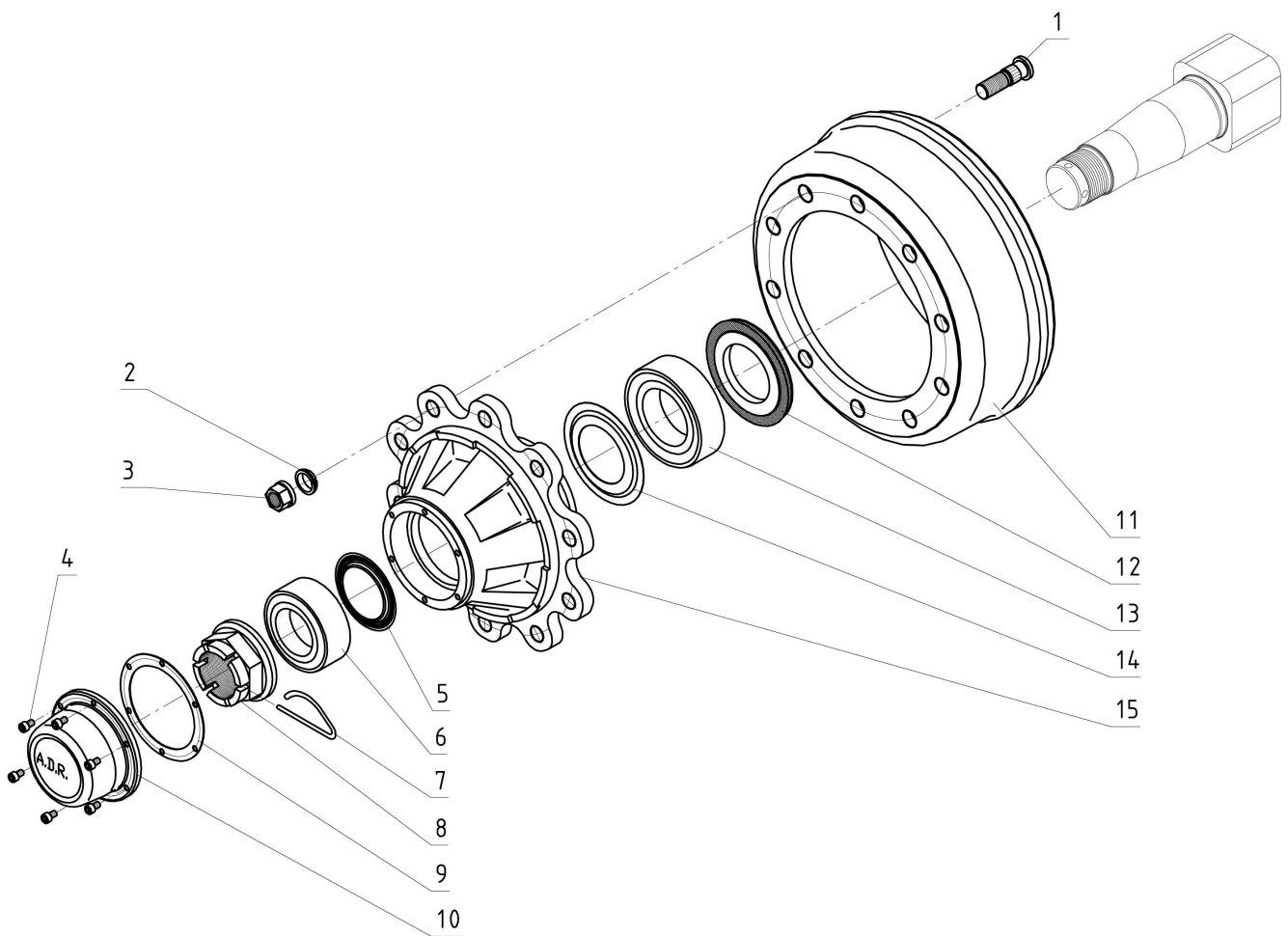
Central lubrication



Central lubrication

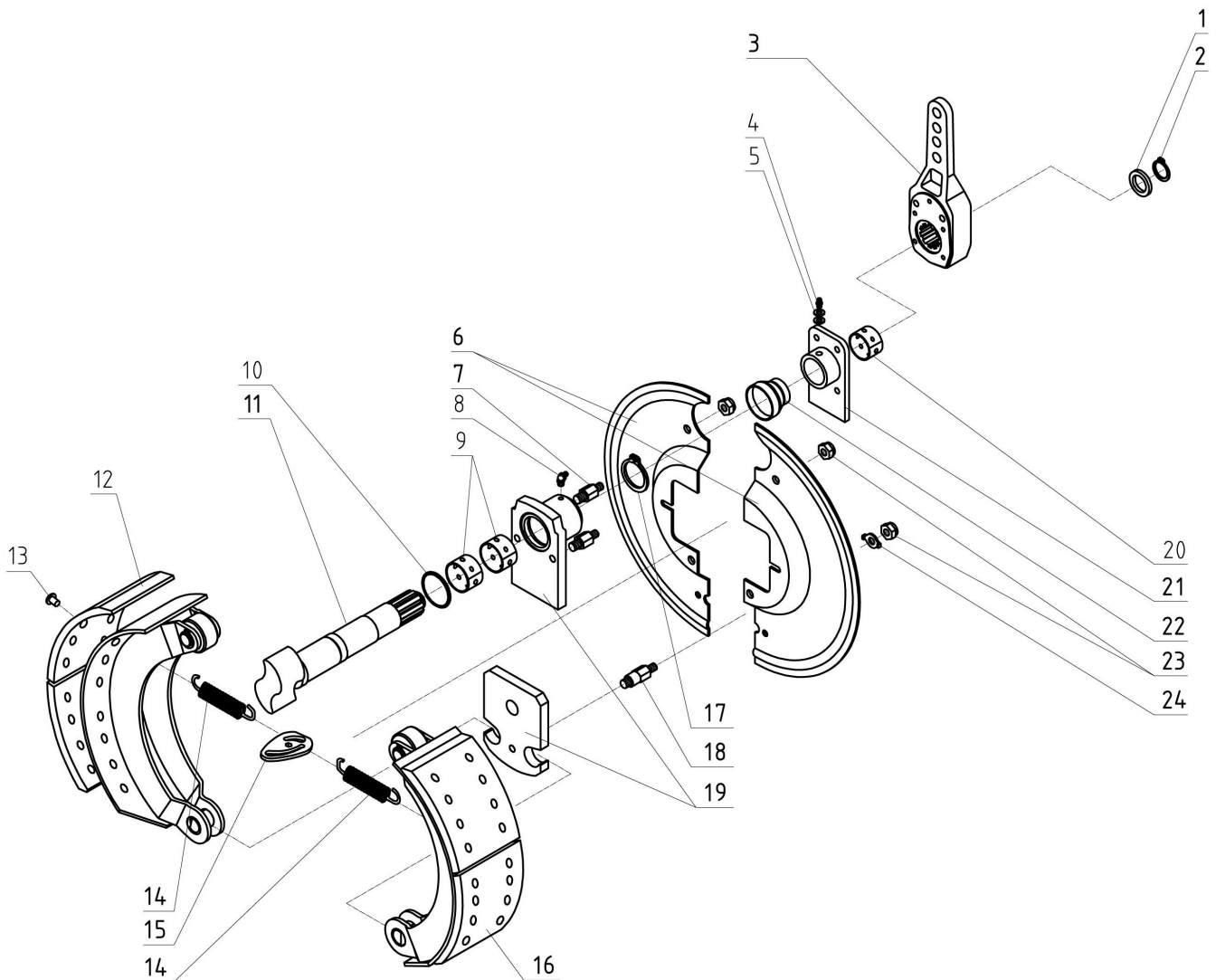
Pos. no.	Item no.	Pcs.	Description	Note
1	2100550341791	1	Reservoir	Kit
2	2100550341789	1	Agitator with scraper	Kit
2.1	2100450704301		Scraper rubber	Single part
3	2100450704041	1	Pin (fixed agitator)	Single part
4	2100450247491	1	Middle Bottom	Kit
5	2100550341788	1	Eccentric gear	Kit
6	2100550341787	1	Rod	Kit
7	2100235143431	1	Safety valve, cartridge	Single part
8	2100650288561	1	Pump component dia. 6mm	Single part
9	2100550369795	1	Sealing Parts for pump component	Kit
10	2100550341792	1	Valve housing	Kit
11	2100550341785	1	Housing cover V DC, plug 1A1.0	Kit
	2100550341784	1	Housing cover V DC, plug 2A1.0	Kit
11.1	2100664360789	1	Connector 2 with 10m cable for remote control	Kit
11.4	2100664369686	1	Connector 2 for remote control, V DC	Single part
11.5	2100664369684	1	Connector 1, for power supply, V DC	Single part
11.6	2100664360787	1	Connector 1 with 10m cable, power supply	Single part
11.7	2100201144341	1	Screw with washer	Single part
12	2100550369801	1	Switch	Kit
13	2100550369837		Circuit boards for 1-5 cycles	
	2100236142127	1	Circuit boards -12/24 V DC	Kit
15	2100550369821	1	Engine, 12 V DC	Kit
15.1	2100664369687	1	Engine Connection V DC	Single part
16	2100251141092	1	Hydraulic grease fitting, A2 AR 1/8	Single part
17	2100304196191	1	Adapter M22x1,5 (a) x 1/8"(i)	Single part
18	2100219122222	3	O-ring dia. 5x1,5mm	Single part
19	2100226137772	1	Banjo bolt	Single part
20	2100226137801	2	Sealing Ring, aluminum	Single part
21	2100550369796	1	Manifold	Kit
22	2100251140739	1	Hydraulic grease fitting RV, A 2 AR 1/8	Single part
23	2100550369797	1	Connector block	Kit
24	2100619375871	1	SSV distribution block - SSV 12 - K	Kit
25	2100519321231	1	Piston plug with seal for regulator pin	Single part
	2100550341781	1	Seal kits for QLS 401	Single part

Stub Axle, drum



Stub Axle, drum				
Pos. no.	Item no.	Pcs.	Description	Note
1		10	Wheel stud M22x1,5	Please contact Agrometer for more information
2		10	Ring	Please contact Agrometer for more information
3		10	Wheel nut M22x1,5	Please contact Agrometer for more information
4		12	Screw M8X1,25	Please contact Agrometer for more information
5		1	Nilos 33215	Please contact Agrometer for more information
6		1	Bearing 33215	Please contact Agrometer for more information
7		2	Spring pin	Please contact Agrometer for more information
8		2	Crown nut	Please contact Agrometer for more information
9		2	Gasket	Please contact Agrometer for more information
10		2	Grease Cap	Please contact Agrometer for more information
11		1	Drum 10 holes for M22X1,5	Please contact Agrometer for more information
12		1	Oil seal	Please contact Agrometer for more information
13		1	Bearing 33020	Please contact Agrometer for more information
14		1	Nilos 33020	Please contact Agrometer for more information
15		1	Hub 10 holes for M22X1,5	Please contact Agrometer for more information

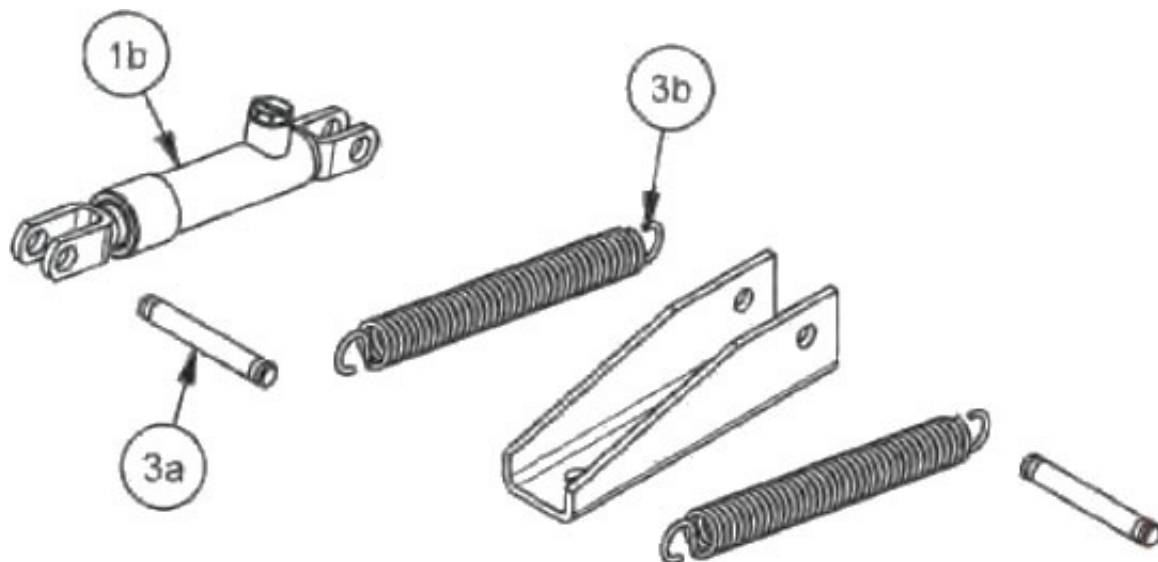
Stub Axle, Brake



Stub Axle, Brake

Pos. no.	Item no.	Pcs.	Description	Note
1	21049812601	1	Washer Ø26	
2	2104915RES25	1	Retaining ring	
3	21047621603	1	Slack adjuster	
4	2104914INGR	2	Grease nipple	
5	2104915R08	4	Washer	
6	2104743VAA511	1	Protection plate	
7	210457712C2			
8	2104914INGR45	2	Grease nipple	
9	2104921B42	4	Camshaft bush	
10	2104921OR146	2	O-ring	
11	21047544062002	1	Right camshaft	Right
11	21047554262002	1	Left camshaft	Left
12	21049FCI414-GUARN BERAL 1561	4	Brake lining	
13	2104930RIV	34	Rivet	
14	2104738119	2	Spring Ø5,0 L100	
15	2104736WA01	1	Twist lock	
16	2104732WA01	2	Brake shoe complete	
17	210458514	2	Retaining ring Ø42	
18	210457712C1			
19	2104742VAA511			
20	2104921B38	2	Camshaft bush	
21	210474401105			
22	210453A03	2	Rubber cover	
23	210497510B1	4	Nut M10X1,5	
24	210457B1001	1	Lock washer Ø10	

Stub Axle, Brake

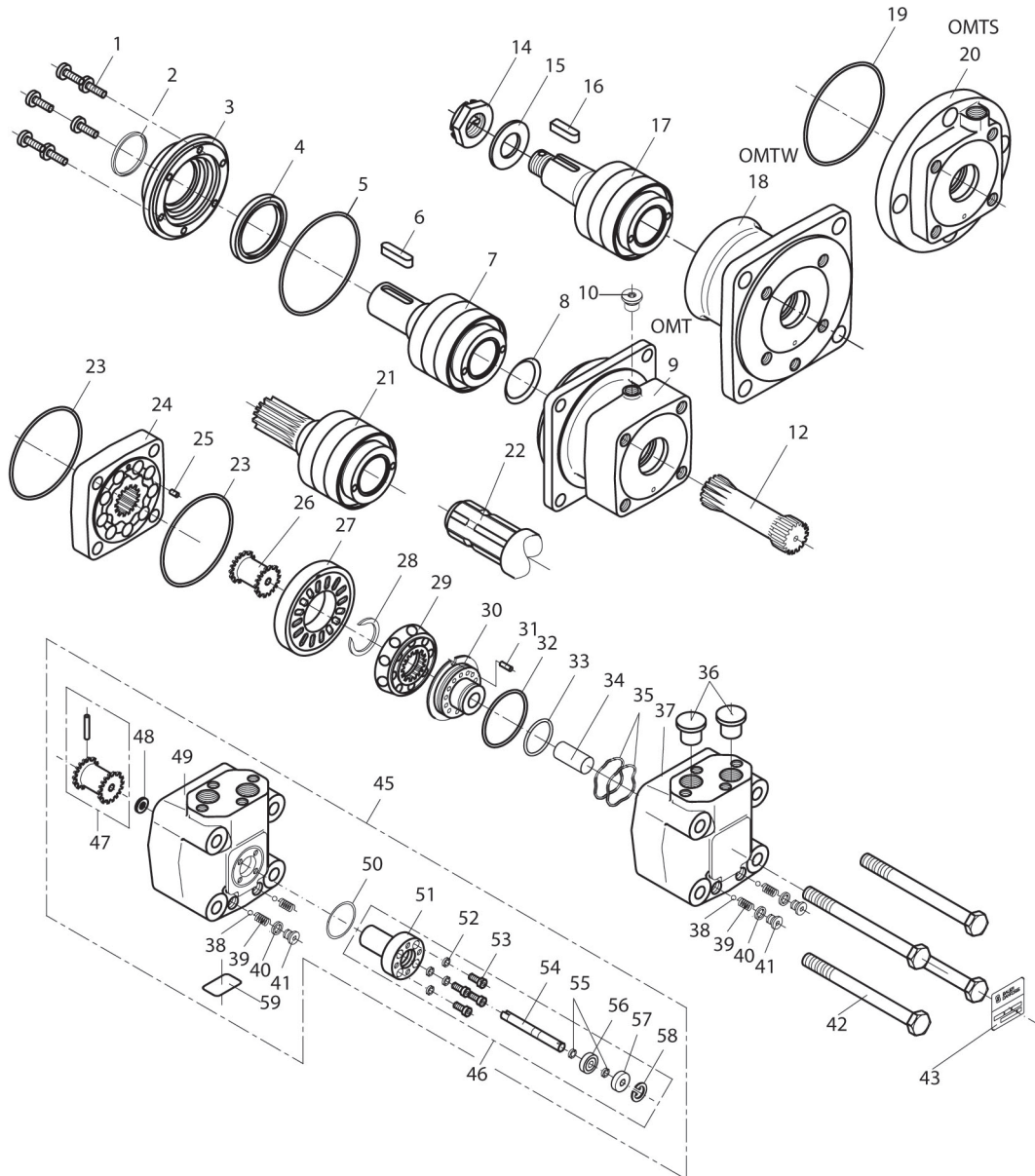


Stub Axle, drum

Pos. no.	Item no.	Pcs.	Description	Note
1	210457122B3	10	Wheel stud M22x1,5	
2	2104574221	10	Ring	
3	210457322B1	10	Wheel nut M22x1,5	
4	210496308A0101	12	Screw M8X1,25	
5	21045531191	1	Nilos 33215	
6	210459133215	1	Bearing 33215	
7	210458207	2	Spring pin	
8	210457570D1	2	Crown nut	
9	2104918G130L	2	Gasket	
10	210456113001	2	Grease Cap	
11	210466LWA1001	1	Drum 10 holes for M22X1,5	
12	21045441503	1	Oil seal	
13	210459133020	1	Bearing 33020	
14	21045511501	1	Nilos 33020	
15	210461L1VI001	1	Hub 10 holes for M22X1,5	



Oil Engine for hose reel OMTS315



Oil Engine for hose reel OMTS315

Pos. no.	Item no.	Pcs.	Description	Note
1	1363681X0287	6	Screw M8; l = 25mm [0.98 in]	
2	1363633B3202	1	Dust seal ring 45x52x4mm [1.77x2.05x0.16 in]	
3	1363151B1490	1	Front cover OMT series 2.1	
	1363151B1506	1	Front cover OMT series 2	
4	1363633B3201	1	Shaft seal 45x65x7mm [1.77x2.16x0.27 in] NBR	
	1363633B3199	1	Shaft seal 45x65x7mm [1.77x2.16x0.27 in] FPM	
5	1363633B1301	1	O-ring 90x2mm [3.54x0.08 in]	
6	1363682L8014	1	Parallel key 12x8x70mm	Metric:
	1363682L8045		Parallel key $\frac{3}{8} \times \frac{3}{8} \times 2\frac{1}{4}$ in, BS 46	SAE:
7	1363151B0177	1	Cylindrical shaft $\varnothing 40$ mm OMT/OMTW incl. bearings and parallel key series 2.1	Metric:
	1363151B0101	1	Cylindrical shaft $\varnothing 40$ mm OMT/OMTW incl. bearings and parallel key series 2	Metric:
	1363151B0182	1	Cylindrical shaft $\varnothing 1\frac{1}{2}$ in OMT/OMTW incl. bearings and parallel key series 2.1	SAE:
	1363151B0145	1	Cylindrical shaft $\varnothing 1\frac{1}{2}$ in OMT/OMTW incl. bearings and parallel key series 2	SAE:
8	1363633B9022	1	Conical seal ring	
9	1363151B1960	1	Bearing housing OMT series 2.1	Metric:
	1363151B1500	1	Bearing housing OMT series 2	Metric:
	1363151B1961	1	Bearing housing OMT series 2.1	SAE:
	1363151B1626	1	Bearing housing OMT series 2	SAE:
10	1363631X9926	1	Drain plug $\frac{1}{4}$ BSP.F steel, incl O-ring	Metric:
	1363631X9925	1	Drain plug 9/16 - 18 UNF, incl O-ring	SAE:
12	1363151B1346	1	Cardan shaft l = 104mm [4.09 in]	OMT/OMTW/OMTS 160
	1363151B1347	1	Cardan shaft l = 108mm [4.25 in]	OMT/OMTW/OMTS 200
	1363151B1348	1	Cardan shaft l = 114mm [4.48 in]	OMT/OMTW/OMTS 250
	1363151B1655	1	Cardan shaft l = 124mm [4.88 in]	OMT/OMTW/OMTS 315
	1363151B1657	1	Cardan shaft l = 134.5mm [5.30 in]	OMT/OMTW/OMTS 400
	1363151B1537	1	Cardan shaft l = 148.5mm [5.85 in]	OMT/OMTW/OMTS 500
14	1363681X8204	1	Castellated nut M 30x2mm	Metric:
	1363681X8290	1	Castellated nut $1\frac{1}{4}$ - 18 UNEF	SAE:
15	1363684X2532	1	Washer, metric version only 31x56x4mm [1.22x2.20x1.56 in]	
16	1363682L8017	1	Parallel key 12x8x28mm	Metric:

Date: 20/12-2016

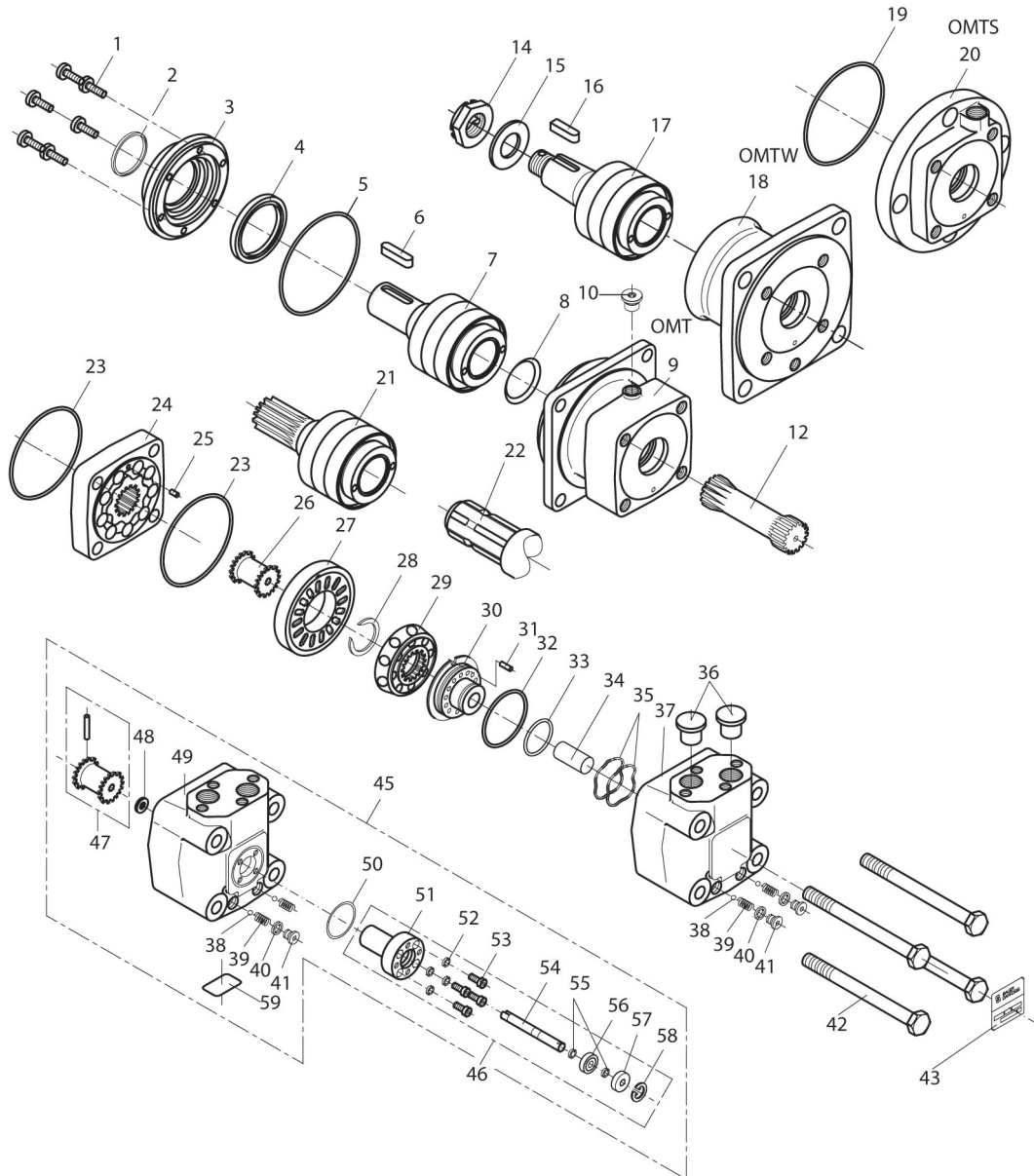
34-1

Slurry Reel System SRS1200
Model year 2014 - 2018

≡ 1 ↓
≡ 2 ↓

A-Z

Oil Engine for hose reel OMTS315



Oil Engine for hose reel OMTS315				
Pos. no.	Item no.	Pcs.	Description	Note
	1363682L8046	1	Parallel key 7/16x7/16x1¼ in, BS 46	SAE:
17	1363151B0178	1	Tapered shaft Ø45mm OMT/OMTW series 2.1	Metric:
	1363151B0108		Tapered shaft incl. bearings and item 14, 15, 16 series 2	Metric:
	1363151B0181	1	Tapered shaft Ø1¼ in OMT/OMTW series 2.1	SAE:
	1363151B0140		Tapered shaft incl. bearings and items 14, 16 series 2	SAE:
18	1363151B1955	1	Bearing housing OMTW series 2.1	Metric:
	1363151B1502	1	Bearing housing OMTW series 2	Metric:
	1363151B1956	1	Bearing housing OMTW series 2.1	SAE:
	1363151B1628	1	Bearing housing OMTW series 2	SAE:
19	1363633B1484	1	O-ring OMTS 125x3mm [4.92x0.12 in] NBR	
20	1363151B1504	1	Mounting flange OMTS	Metric:
	1363151B1629	1	Mounting flange OMTS	SAE:
21	1363151B0179	1	Splined shaft Ø38.1mm incl. bearings series 2.1	Metric:
	1363151B0110	1	Splined shaft Ø38.1mm incl. bearings series 2	Metric:
	1363151B0183	1	Splined shaft Ø1½ in incl. bearings series 2.1	SAE:
	1363151B0149	1	Splined shaft Ø1½ in incl. bearings series 2	SAE:
22	1363151B0180	1	P.t.o. shaft incl. bearings series 2.1	Metric:
	1363151B0128	1	P.t.o. shaft incl. bearings series 2	SAE:
23	1363633B1366	2	O-ring 96x3mm [3.77x0.12 in] NBR	
24	1363151B1033	1	Gearwheel set W = 20mm [0.79 in]	OMT/OMTW/OMTS 160
	1363151B1034	1	Gearwheel set W = 25mm [0.10 in]	OMT/OMTW/OMTS 200
	1363151B1035	1	Gearwheel set W = 31mm [1.22 in]	OMT/OMTW/OMTS 250
	1363151B1087	1	Gearwheel set W = 40mm [1.57 in]	OMT/OMTW/OMTS 315
	1363151B1088	1	Gearwheel set W = 51mm [2.00 in]	OMT/OMTW/OMTS 400
	1363151B1062	1	Gearwheel set W = 65mm [2.56 in]	OMT/OMTW/OMTS 500
25	1363682L2006	1	Guide pin Ø4, l = 10mm [0.39 in]	
26	1363151B1309	1	Valve drive	
27	1363151B1043	1	Channel plate	
28	1363151B1539	1	Stop ring for OMTS 315, 400 and 500	
29	1363151B1072	1	Disc valve	
30	1363151B1483	1	Balance plate a)	
31	1363682L9105	1	Guide pin Ø5, l = 14mm [0.55 in] a)	
32	1363633B1365	1	O-ring 63x2mm, NBR [2.48x0.08 in]	
	1363633B1394	1	O-ring 60x2mm, FPM [2.36x0.08 in]	
33	1363633B1378	1	O-ring 40x2mm, NBR [1.57x0.08 in]	



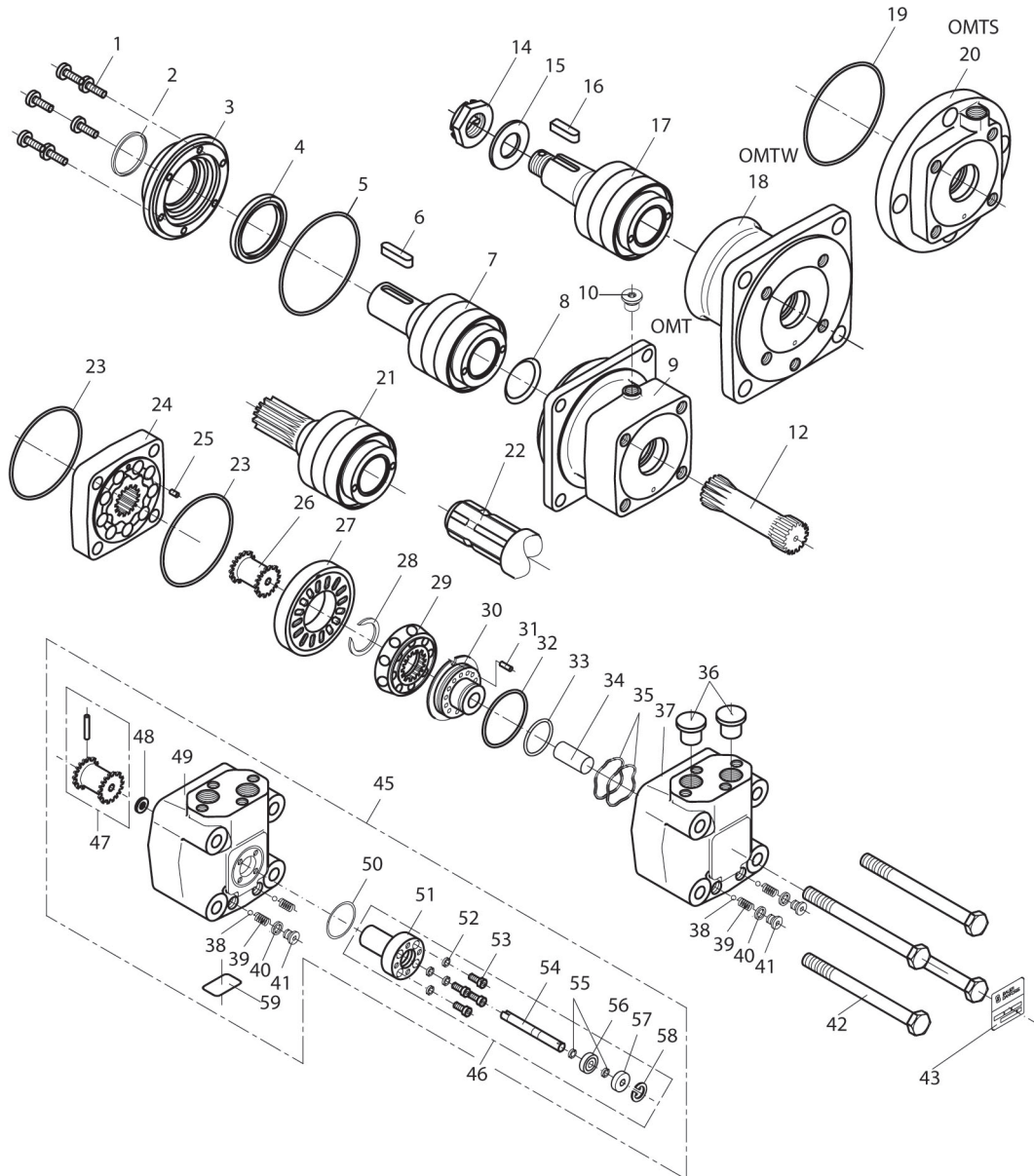
Date: 20/12-2016

Slurry Reel System SRS1200
Model year 2014 - 2018

1 ↓
2 ↓

A-Z

Oil Engine for hose reel OMTS315

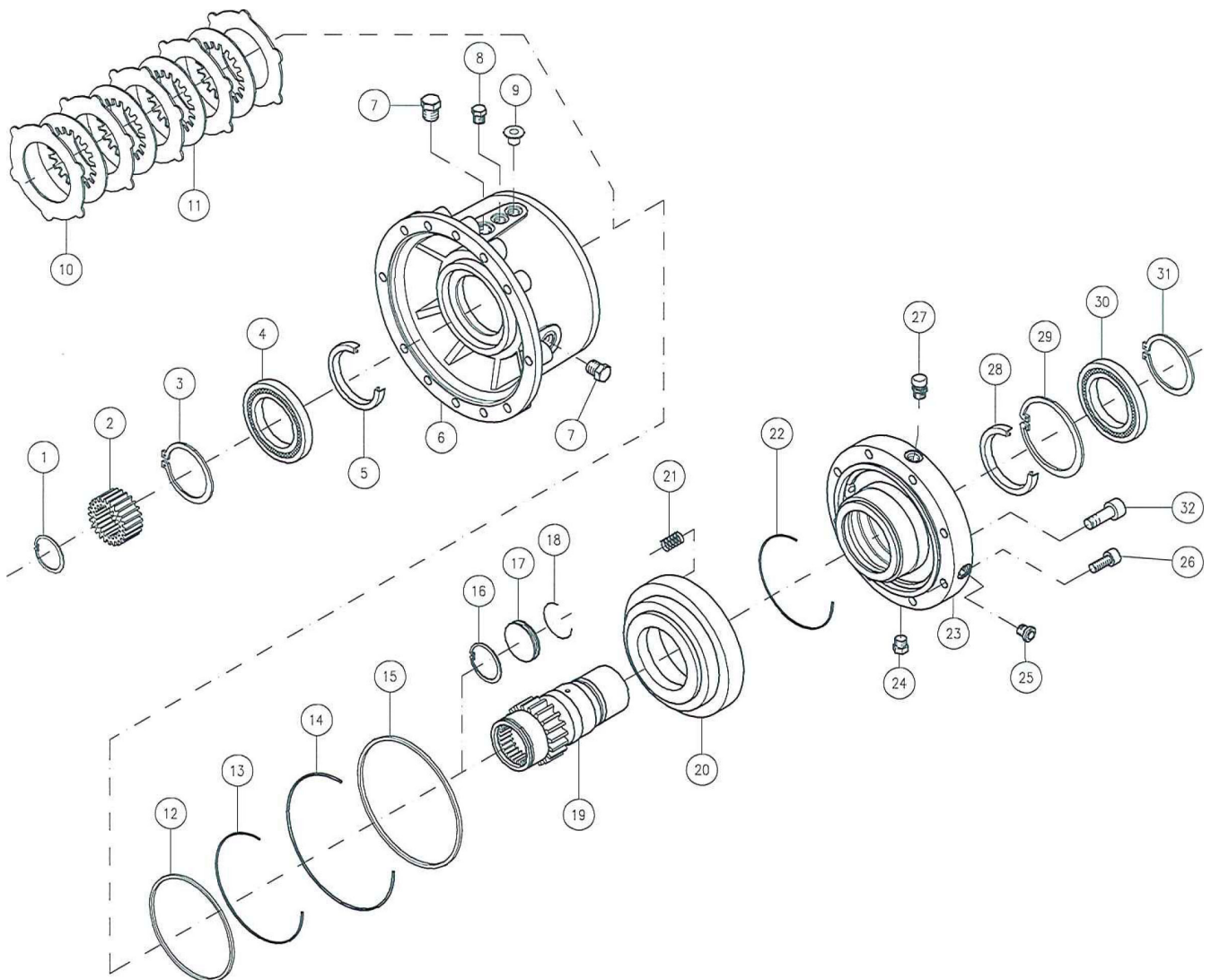


Oil Engine for hose reel OMTS315

Pos. no.	Item no.	Pcs.	Description	Note
	1363633B1454	1	O-ring 40x2mm, FPM [1.57x0.08 in]	
34	1363151B1311	1	Spacer	
35	1363684X0087	2	Spring washer 33x39.1x0.5mm [1.30x1.54x0.02 in] a)	
36	1363633X0071	2	Seal plug (plastic)	Metric:
	1363633X7027	2	Seal plug (plastic)	SAE:
37	1363151B1660	1	Valve housing	Metric a)
	1363151B1715	1	Valve housing	SAE a)
38	1363689X1015	2	Ball \varnothing 1/4 in	
39	1363013-0662	2	Spring	
40	1363684X2564	2	Washer 13.9x10.2x1mm [0.54x0.40x0.04 in]	
41	1363631X2053	2	Plug $\frac{1}{8}$ BSP.F	
42	1363681X1118	4	Screw M14 l = 120mm [4.72 in]	OMT/OMTW/OMTS 160/200
	1363681X1120	4	Screw M14 l = 130mm [5.12 in]	OMT/OMTW/OMTS 250
	1363681X1123	4	Screw M14 l = 140mm [5.51 in]	OMT/OMTW/OMTS 315
	1363681X1127	4	Screw M14 l = 150mm [5.90 in]	OMT/OMTW/OMTS 400
	1363681X1411	4	Screw M14 l = 160mm [6.30 in]	OMT/OMTW/OMTS 500
43	1363151A0407	1	Name plate (aluminium)	OMT/OMTW/OMTS
	1363151A0408	1	Name plate (brass)	OMT/OMTW/OMTS
45	1363151B0132	1	Valve housing with tacho connection and valve drive, metric version only a)	
46	1363151B1029	1	Tacho connection	
47	1363151B1030	1	Valve drive incl. guide pin	
48	1363151B1450	1	Spacer ring	
49	1363151B1662	1	Tacho valve housing a)	
50	1363633B1378	1	O-ring 40x2mm, NBR [1.57x0.08 in]	
51	1363151B1442	1	Tacho bearing housing a)	
52	1363684X2012	4	Washer 5.6x8.5x1mm [0.22x0.33x0.04 in]	
53	1363681X1880	4	Screw M5 l = 15mm [0.59 in]	
54	1363151B1443	1	Tacho drive shaft	
55	1363682L4922	2	Retaining ring 6.0x0.7 DIN 6799	
56	1363981X1020	1	Bearing 8x22x7mm [0.31x0.87x0.27 in]	
57	1363633B3175	1	Shaft seal 8x22x6.5mm [0.31x0.87x0.25 in]	
58	1363682L4008	1	Retaining ring 22x1 DIN 472	
59	1363151A0409	1	Name plate (aluminium) for OMT/OMTW/OMTS with tacho connection	
A	1363151B0113	1	Set of seals NBR item 2, 4, 5, 8, 23, 32 and 33	OMT, OMTW
B	1363151B0115	1	Set of seals FPM item 4, 32 and 33	OMT, OMTW, OMTS
C	1363151B0114	1	Set of seals NBR item 8, 19, 23, 32 and 33	OMTS
D	1363151B1040	1	Kit set NBR item 8 and 19	OMTS



S.A.H.R. Brake RF5/85

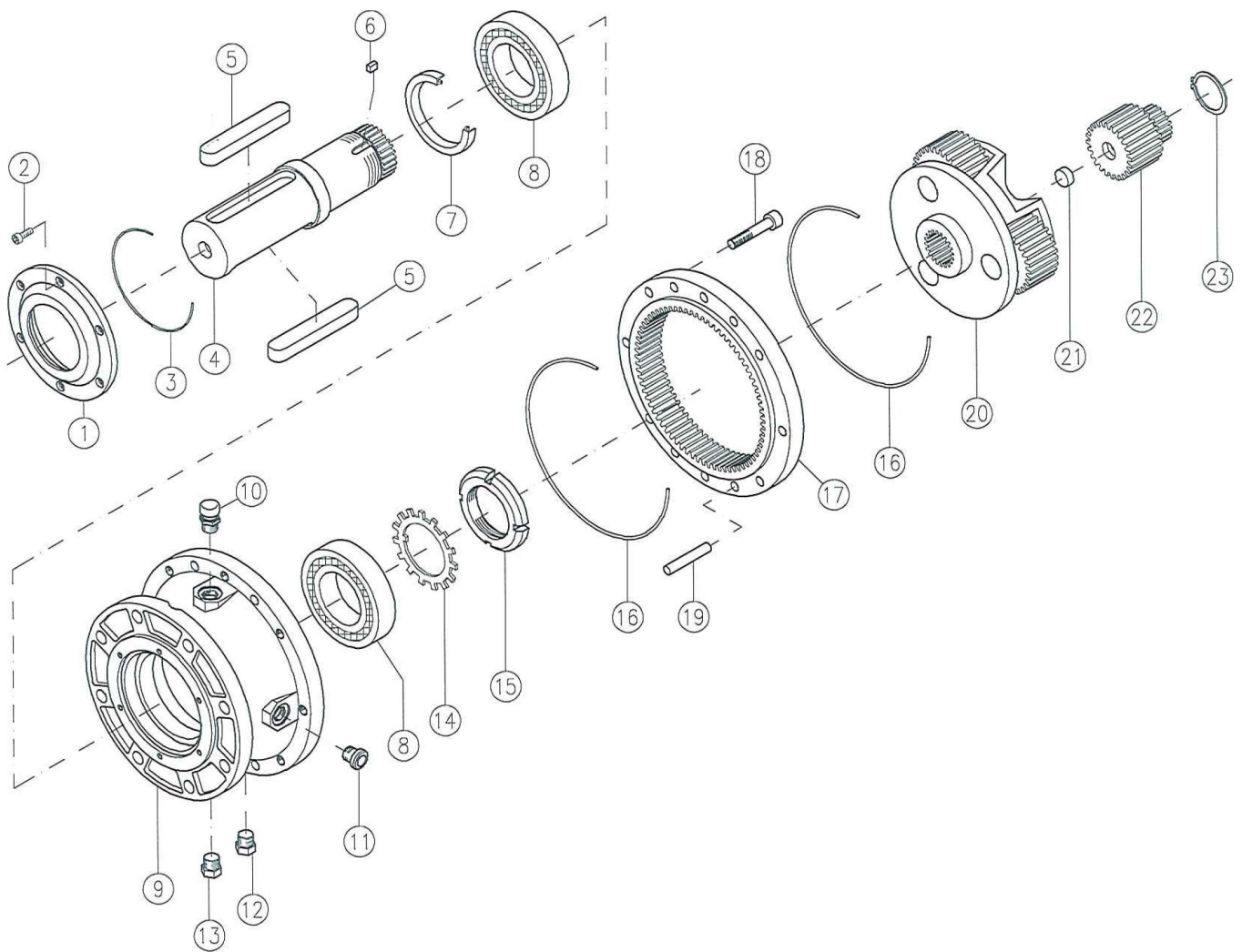


S.A.H.R. Brake RF5/85

Pos. no.	Item no.	Pcs.	Description	Note
1	1363C080036	1	Seeger	
2	1363F24272300	3	Coupling	
3	1363C085060	1	Seeger	
4	1363C010024	1	Bearing	
5	1363C125024	1	O-Ring	
6	1363F400331400	1	Support	
7	1363C171003	2	Steel Plug	
8	1363C171002	2	Steel Plug	
9	1363C169001	1	Plastic Plug	
10	1363C200411	6	Iron Disc	
11	1363C200863	7	Sintered Disc	
12	1363C165026	1	Parbak	
13	1363C142251	1	O-Ring	
14	1363C142259	1	O-Ring	
15	1363C165027	1	Parbak	
16	1363C080047	1	Seeger	
17	1363F201113000	1	Shimming	
18	1363C140041	1	O-Ring	
19	1363F022793800	1	Input Shaft	
20	1363F180253000	1	Brake Piston	
21	1363F140166600	12	Spring	
22	1363C140065	1	O-Ring	
23	1363F266201100	1	Support	
24	1363C174001	1	Magnetic Plug	
25	1363C172001	2	Oil Level Plug	
26	1363C030061	8	Screw	
27	1363C173001	1	Air Plug	
28	1363C127004	1	Bearing	
29	1363C080090	1	Seeger	
30	1363C010023	1	Bearing	
31	1363C085055	1	Seeger	
32	1363C030090	4	Screw	



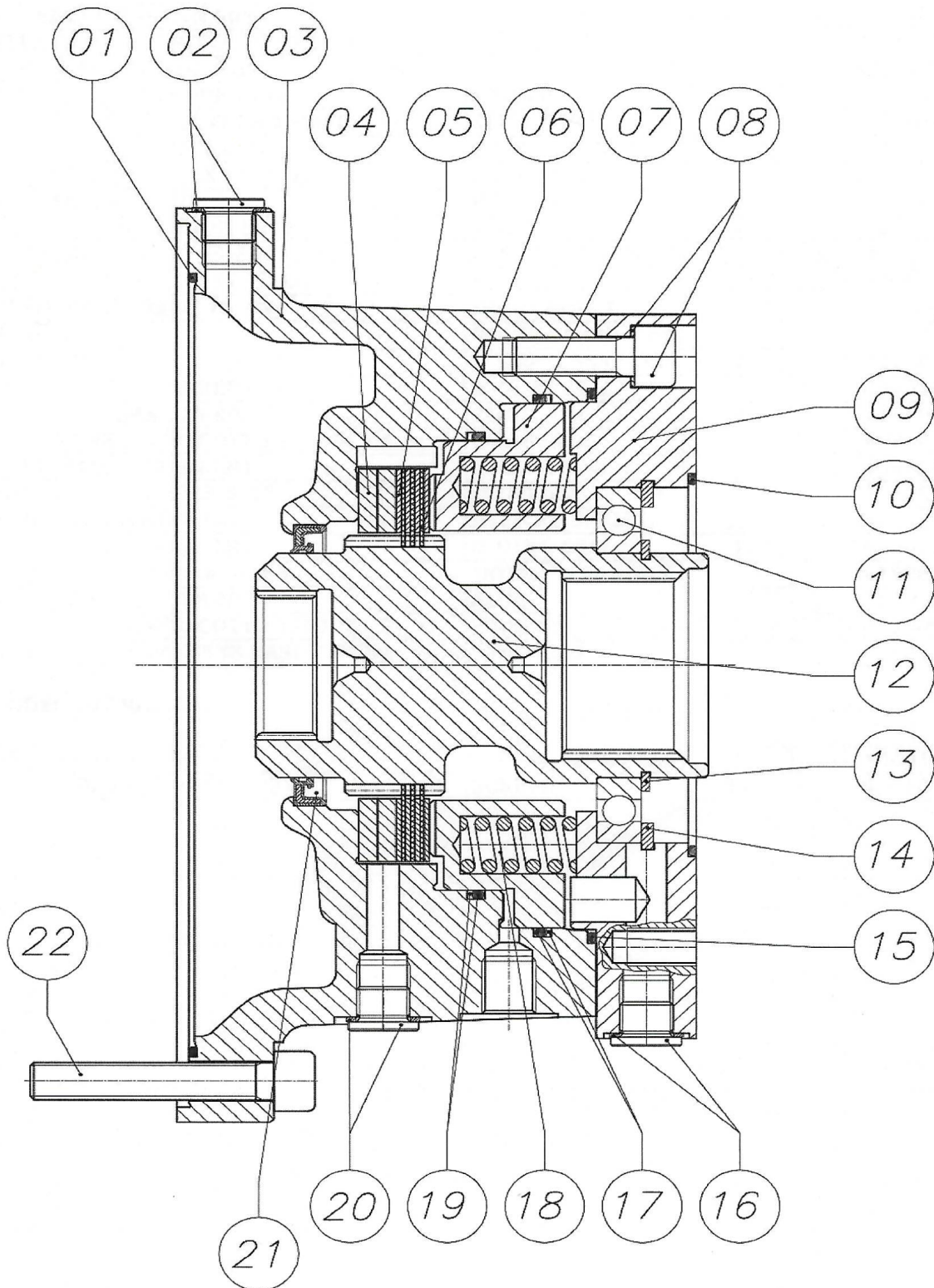
Gear RR510 MC



Gear RR510 MC

Pos. no.	Item no.	Pcs.	Description	Note
1	1363F400638000	1	Oil Seal Support	
2	1363C030010	6	Screw	
3	1363C140022	1	O-Ring	
4	1363F033853500	1	Output Shaft	
5	1363C070161	2	Key	
6	1363F030494000	1	Key	
7	1363C125002	1	Oil Seal	
8	1363C016003	2	Bearing	
9	1363F260460300	1	Output Support	
10	1363C173002	1	Air Escape Plug	
11	1363C172002	2	Oil Level Plug	
12	1363C174002	1	Magnetic Plug	
13	1363C171002	2	Steel Plug	
14	1363C068060	1	Ring Nut Washer	
15	1363C105060	1	Washer	
16	1363C140051	2	O-Ring	
17	1363F060053000	1	Planetary Ring	
18	1363C030066	8	Screw	
19	1363C092062	4	Spring Pin	
20	1363P0089	1	Complete Reduction R=5.8/1	
21	1363F200169000	1	Shimming	
22	1363F170193500	1	Pinion R=5.8/1	

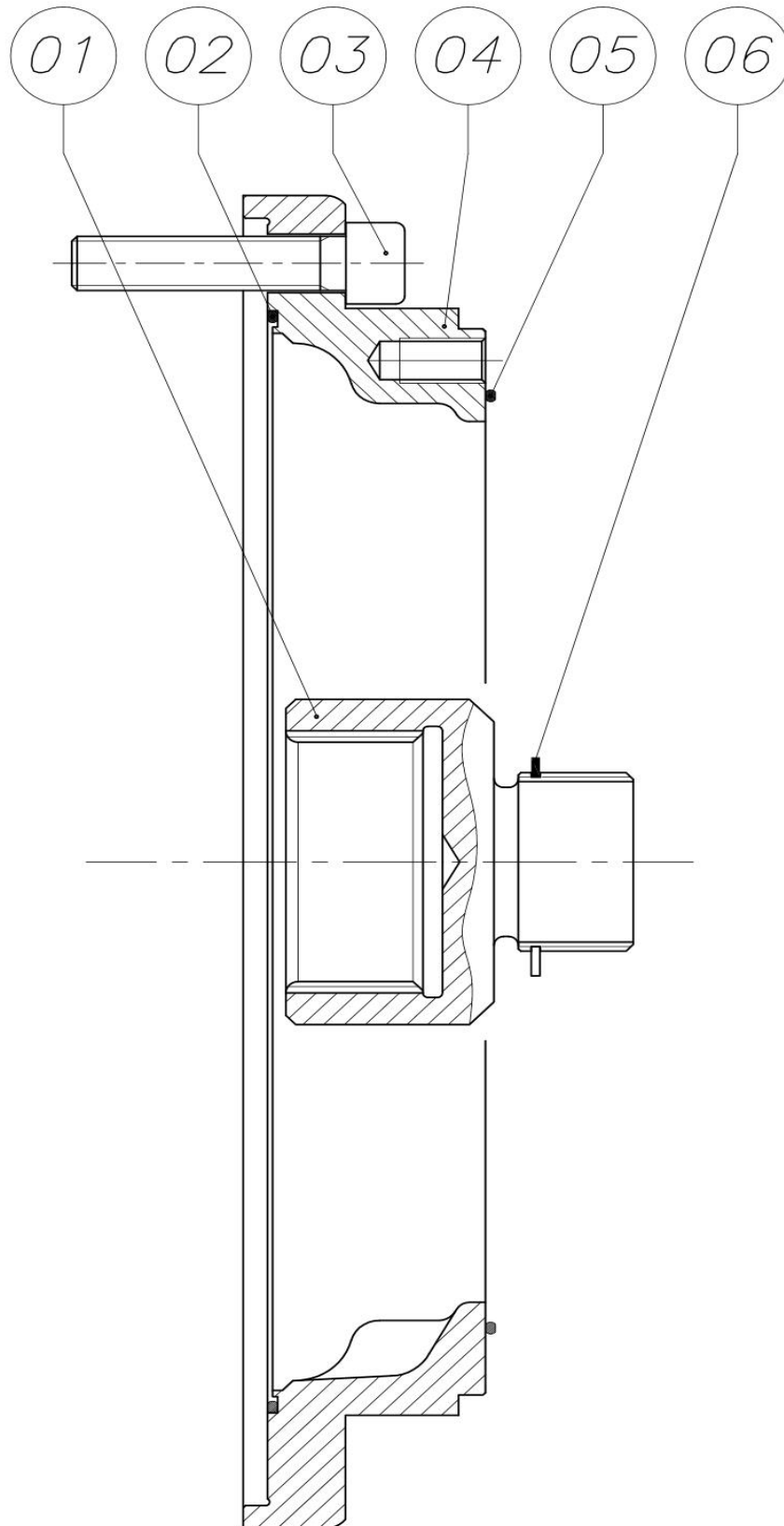
Brake



 1 ↓  2 ↓	A-Z	Slurry Reel System SRS1200 Model year 2014 - 2018	Date: XX-2019
			38

Brake				
Pos. no.	Item nr.	Pcs.	Description	Note
1	25038136	1	O-ring	
2	25038145	2	Plug 1/4"	
2	25038146	2	Copper washer	
3	25038147	1	Brake housing	
4				
5	25038148	8	Steel disc brake	
6	25038123	7	Bronze washer	
7	25038124	1	Brake disc	
8	25038149	8	Washer	
8	25038150	8	Screw	
9	25038151	1	Brake inlet support	
10	25038135	1	O-ring	
11	193016012	1	Ball bearing	
12	25038138	1	Brake input shaft	
13	25038152	1	Locking ring	
14	25038153	1	Locking ring	
15	25038127	1	O-ring	
16	25038145	1	Plug 1/4"	
16	25038146	2	Plug TCEI 1/4"	
17	25038127	1	O-ring	
17	25038154	1	Anti-extrusion ring	
18	25038129	13	Brake spring	
19	25038143	1	O-ring	
19	25038131	1	Anti-extrusion ring	
20	25038145	1	Connector TCEI 1/4 "	
20	25038146	1	Copper disc 1/4"	
21	25038132	1	Sealing ring	
22	25038155	12	Screw	

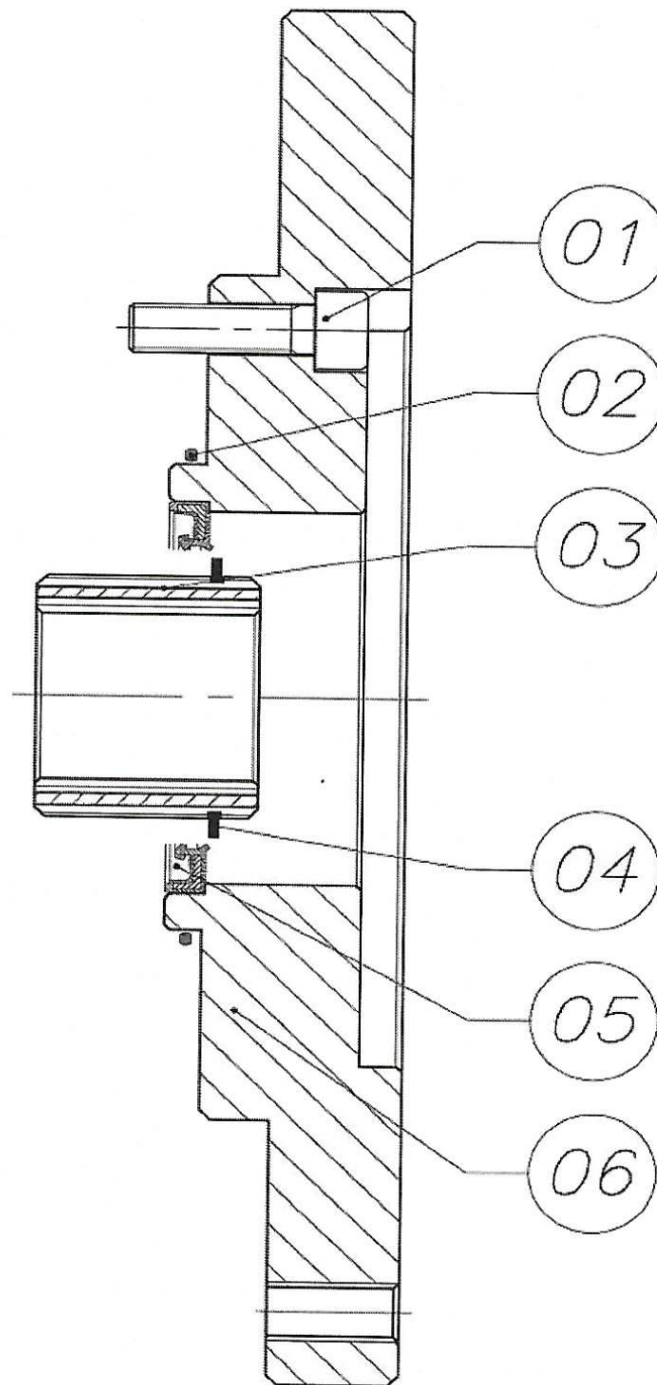
Brake - Flange



 A-Z	Slurry Reel System SRS1200 Model year 2014 - 2018	Date: XX-2019
		40

Brake - Flange				
Pos. no.	Item no.	Pcs.	Description	Note
1	25038172	1	Connection coupling	
2	25038163	1	O-ring seal	
3	13268512075	12	Screw	
4	25038173	1	Connection flange	
5	25038136	1	O-ring seal	
6	15140037610040	1	Locking ring	

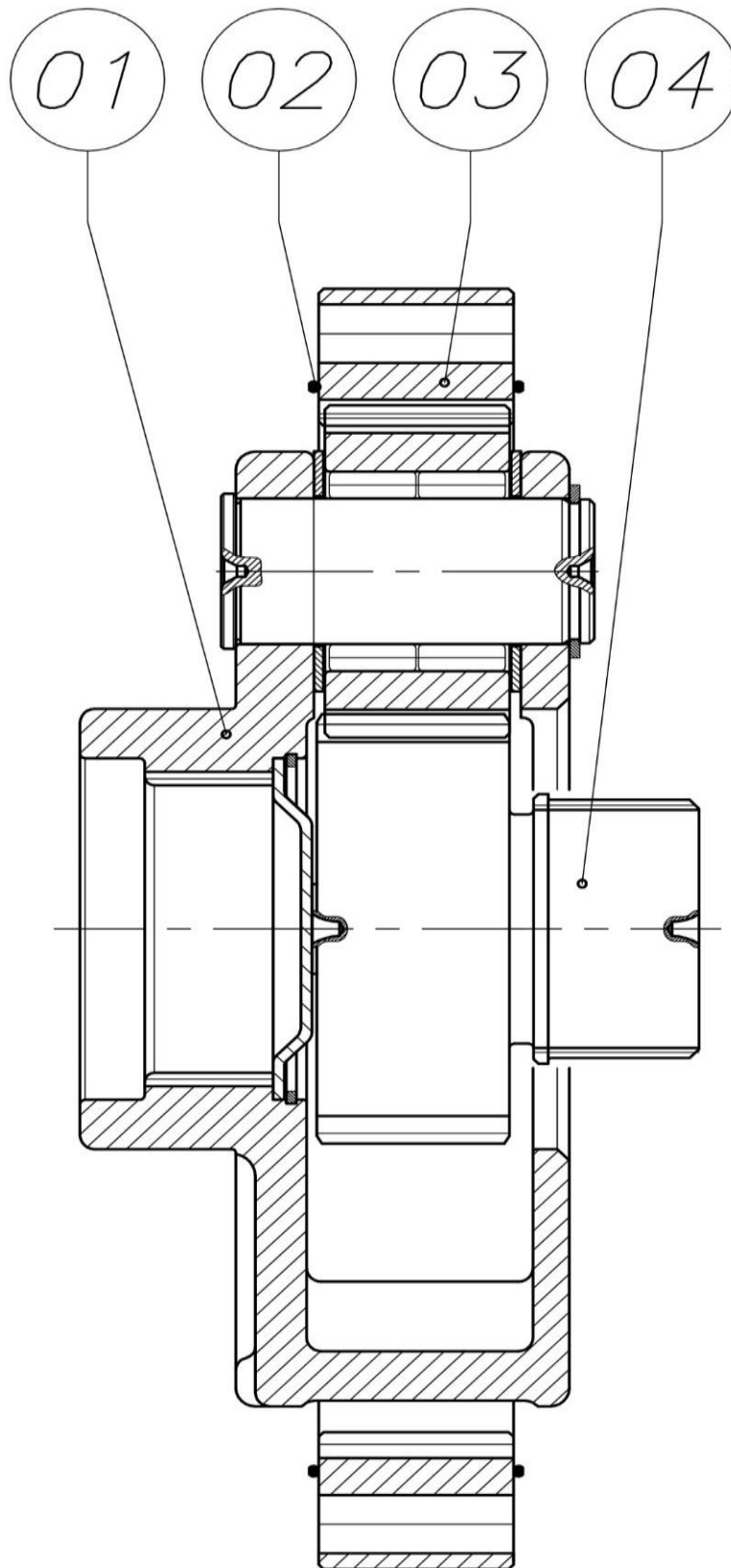
Brake - Motor attachment



 1 ↓  2 ↓ A-Z	Slurry Reel System SRS1200 Model year 2014 - 2018	Date: XX-2019
		42

Brake - Motor attachment				
Pos. no.	Item no.	Pcs.	Description	Note
1	25038155	8	Screw	
2	25038135	1	O-ring	
3	25038179	1	Coupling	
4	25038180	1	Locking ring	
5	25038181	1	Sealing ring	
6	25038182	1	Motor connection flange	

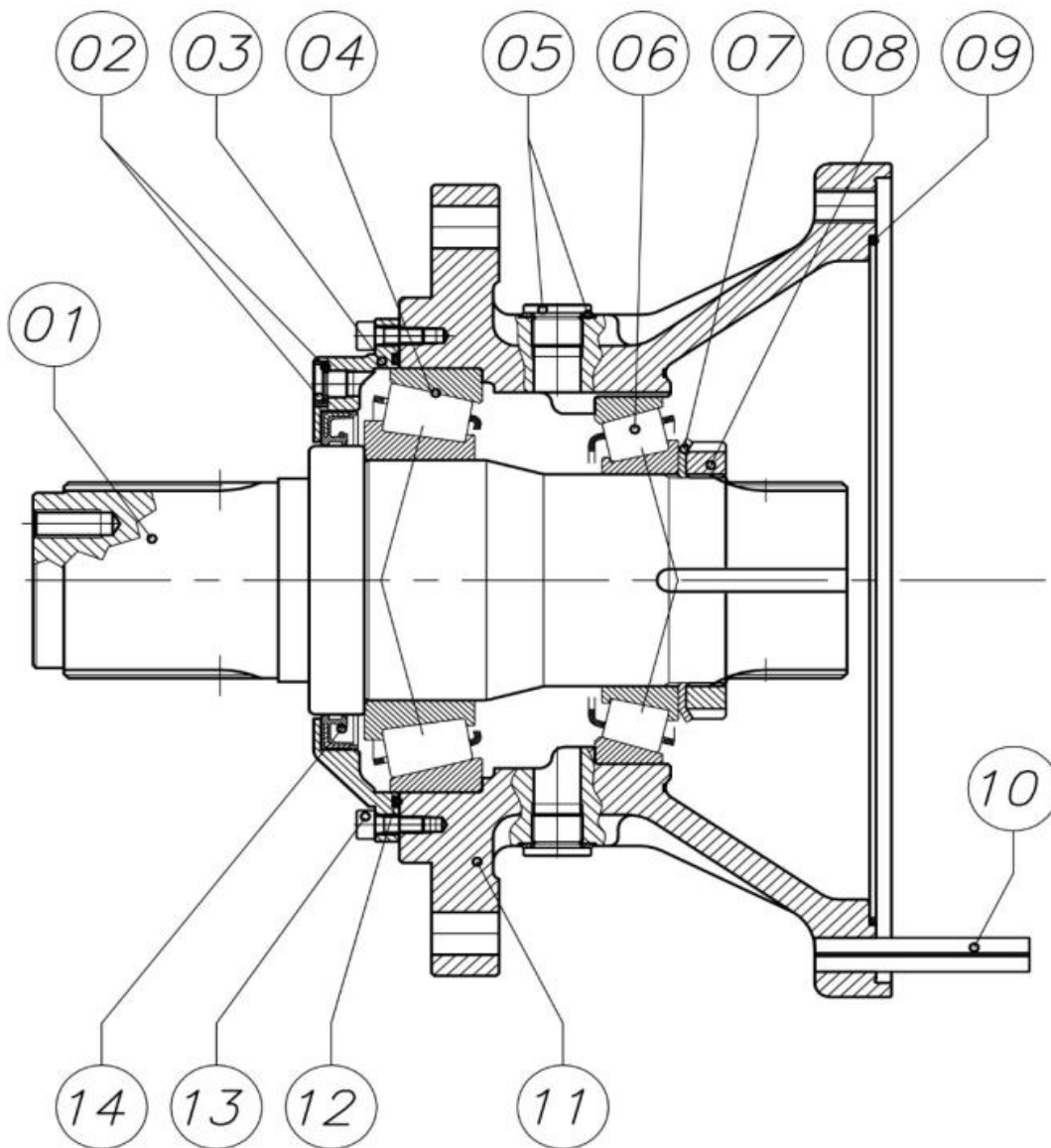
Brake - cogwheel



 A-Z	Slurry Reel System SRS1200 Model year 2014 - 2018	Date: XX-2019
		44

Brake - cogwheel				
Pos. no.	Item nr.	Pcs.	Description	Note
1	25038169	1	Gear	
2	25038163	2	Gasket	
3	25038170	1	Ring gear	
4	25038171	1	Solar gear	

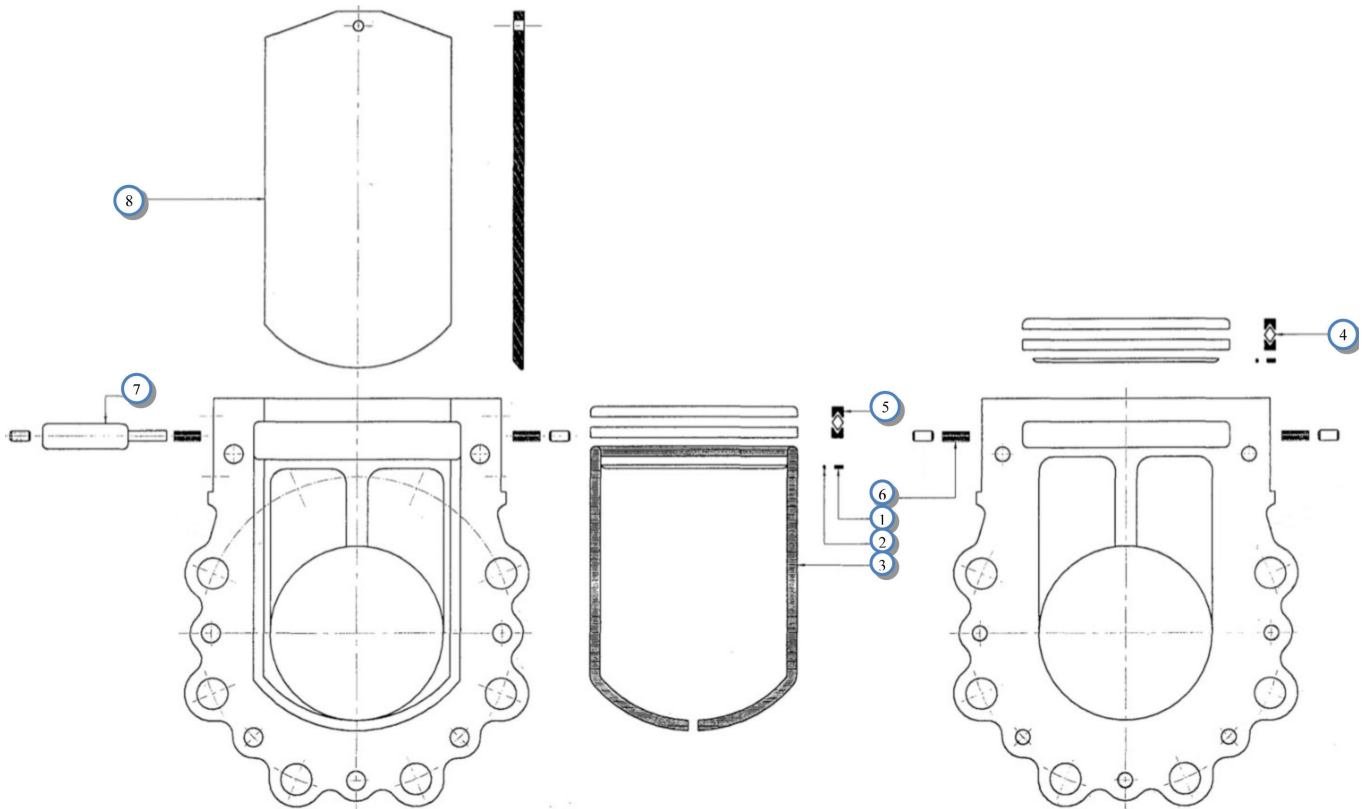
Brake - Output support



 A-Z	Slurry Reel System SRS1200 Model year 2014 - 2018	Date: XX-2019
		46

Brake - Output support				
Pos. no.	Item nr.	Pcs.	Description	Note
1	25038141	1	TS RE 810 Shaft	
2	25038156	1	Plug 1/8"	
2	25038157	1	Copper washer	
3	25038158	1	Cover shield	
4	193032217	1	Bearing	
5	25038159	4	Oil plug 3/8"	
5	25038160	4	Copper washer	
6	193030215	1	Bearing	
7	25038161	1	Washer	
8	25038162	1	Nut	
9	25038163	1	Gasket	
10	25038164	4	Spring pin	
11	25038165	1	Housing	
12	25038166	1	O-ring gasket	
13	25038168	6	Screw	
14	25038167	1	Sealing ring	

RAMUS Gate valve DN100



≡ 1 |
≡ 2 ↓

A-Z

Slurry Reel System SRS1200
Model year 2014 - 2018

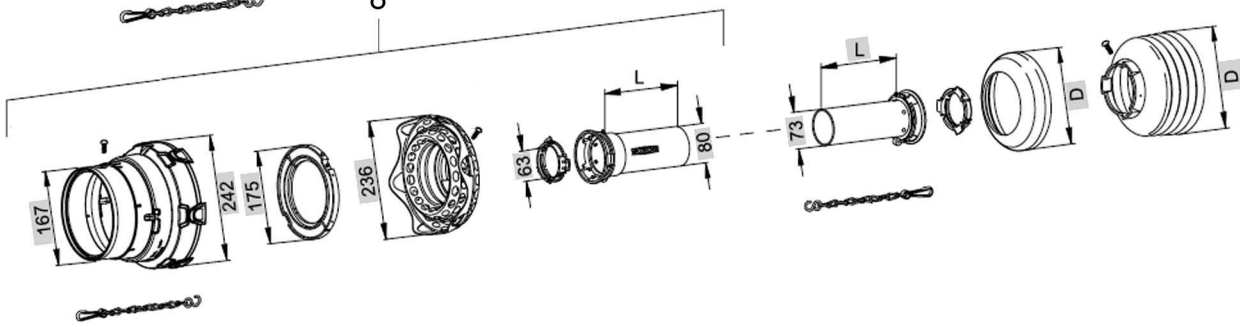
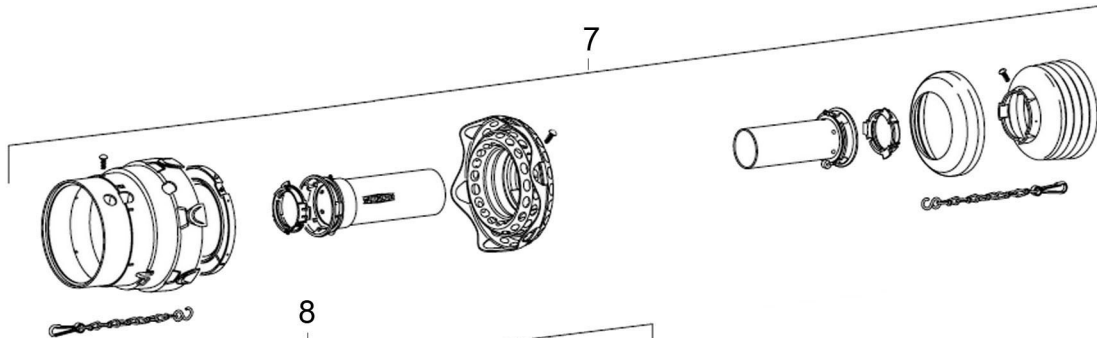
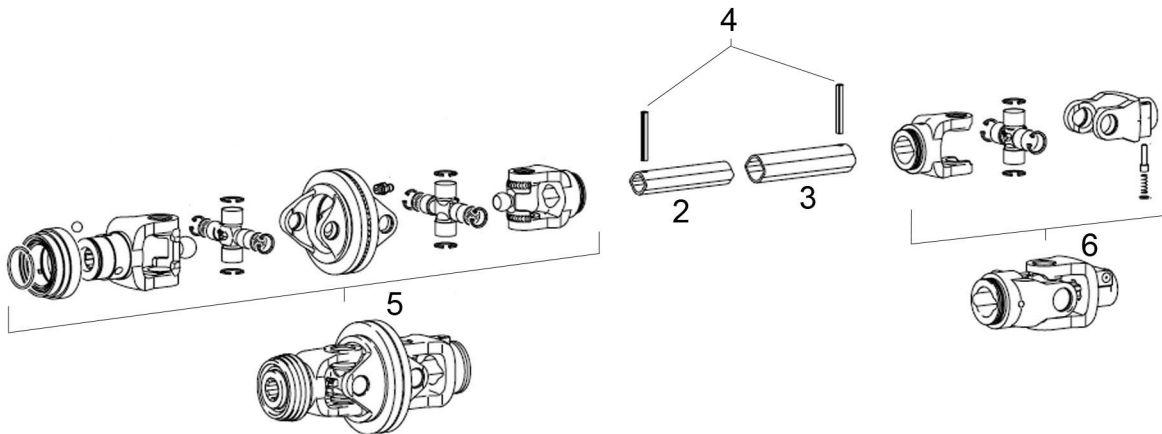
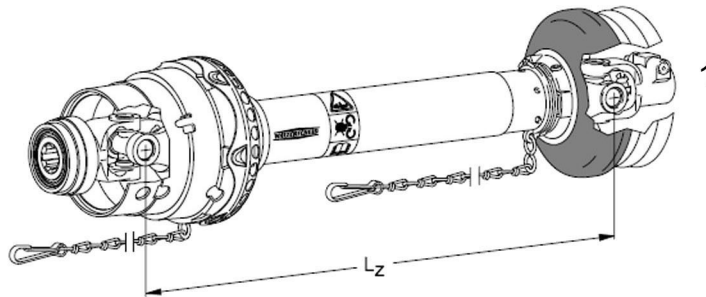
Date: 20/12-2016

37

RAMUS Gate valve DN100

Pos. no.	Item no.	Pcs.	Description	Note
	20144510	1	Spare part kit	Items 1,2,3,4,5,6,7
1			Scraper	
2			Scraper seal	
3			Blade seal	
4			Stuffing paste	
5			V-shaped seal	
6			Additional stuffing paste	
7			Packing tool	
8	20144600	1	Blade	

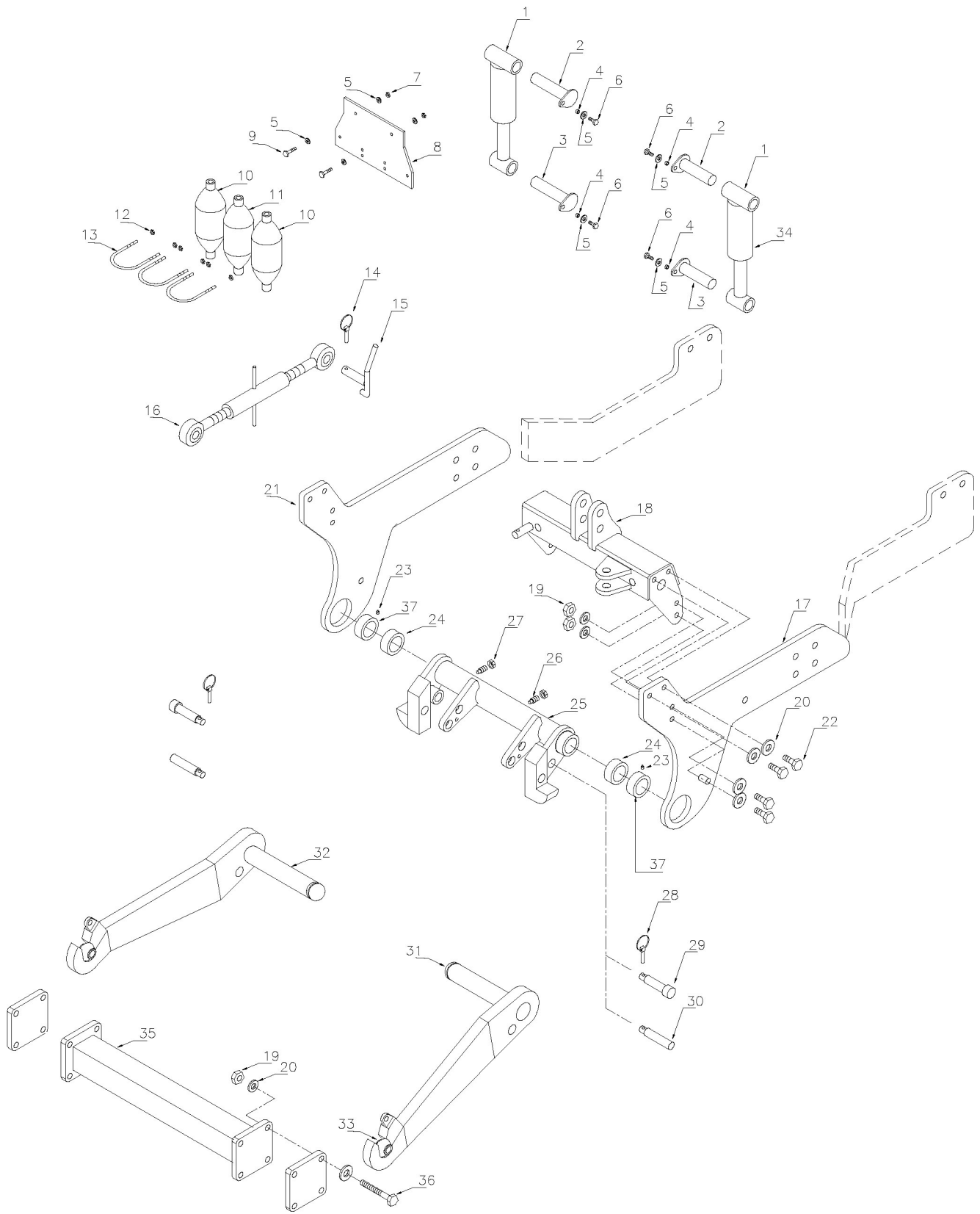
Drive Shaft



Drive Shaft

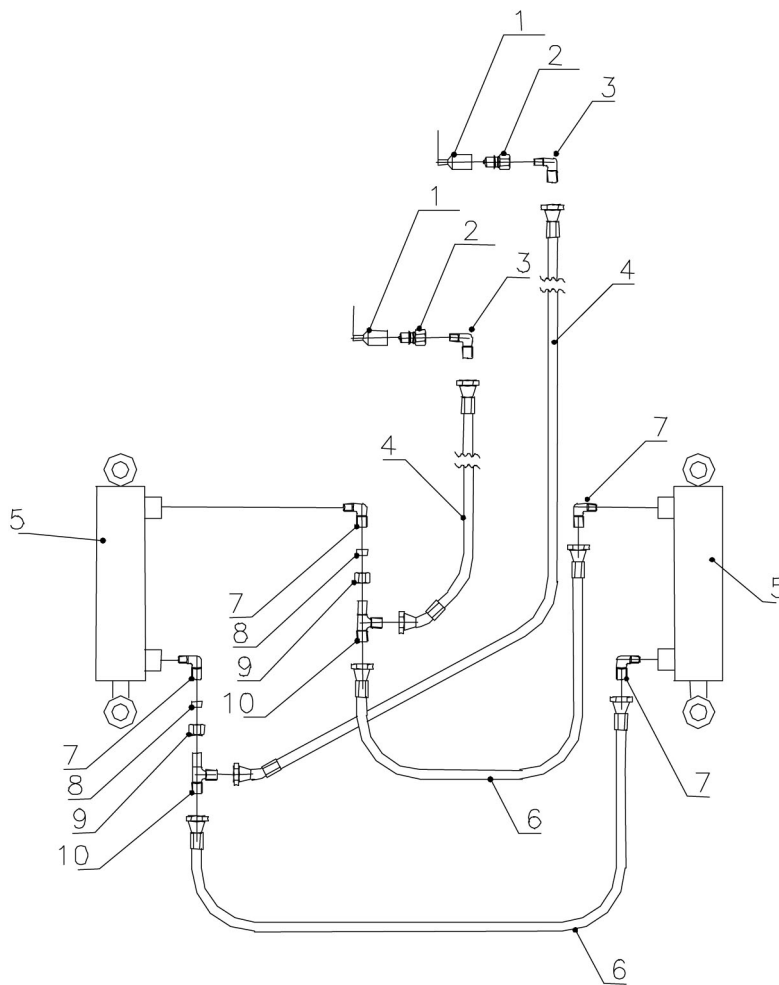
Pos. no.	Item no.	Pcs.	Description	Note
1	25038024	1	Drive shaft w/wide angle joint	
2		1	Profile tube 1b L=1000mm	
3		1	Profile tube 2a L=1000mm	
4		2	Profile tube 10x80	
5		1	Wide angle joint 80° w/slide collar ASGE	
6		1	Single joint w/quick disconnect pin yokes AG	
7		1	Guard assembly SDF25 L=1000mm	
8		1	Outer guard half L=1000mm	

HE-VA Front-lift Integrated



HE-VA Front-lift Integrated				
Pos. no.	Item no.	Pcs.	Description	Note
1	25038014	2	Cylinder \varnothing 100/40 SL=185	
2		2	Cylinder pin \varnothing 40 L=184	
3		2	Cylinder pin \varnothing 40 L=170	
4		4	Bushing \varnothing 17x2,1 L=6,5mm	
5		8	Face plate \varnothing 12	
6		4	Set screw M12x25	
7		2	M12 self-locking nut	
8		1	Mounting plate for accumulator	
9		2	M12x35 set screw	
10		2	Accumulator H700R- 15 bar	
11		1	Accumulator H700R- 100 bar	
12		6	Self-locking nut M8	
13		3	U-bolt M8x \varnothing 92	
14		3	Tractor split pin, \varnothing 10	
15		1	Top link pin \varnothing 25 L=104 with handle and a hole for split	
16		1	Top link	
17		1	Side plate, right	
18		1	Top link console	
19		12	M20 self-locking nut	
20		24	\varnothing 20 bevelled washer	
21		1	Side plate, left	
22		8	M20x75 bolt, qual. 8.8	
23		2	Lub. nipple M6x1	
24		2	Bearing bushing \varnothing 115/ \varnothing 110 L= 40	
25		1	Lifting console	
26		4	Stop bolt M16	
27		4	Lock nut M16	
28		2	Tractor split pin, \varnothing 8	
29		2	Locking pin for lift arm, lock position	
30		2	Locking pin for lift arm, floating position	
31		1	Lift arm (left)	
32		1	Lift arm (right)	
33		1	Lift arm ball Cat. 3/2 \varnothing 64/ \varnothing 28,4	
34	25038014-1	2	Seal kit 100/40	(Laizhou) No. is stamped in the guide bush
	25038014-2	2	Seal kit 100/40	(Klinkby)
35		1	Torsion bar	
36		8	Screw M20x110 qual. 10.9	
37		2	Bearing housing	

HE-VA Front-lift Integrated, hydraulics



≡ 1 ↓
≡ 2 ↓

A-Z

Slurry Reel System SRS1200
Model year 2014 - 2018

Date: 20/12-2016

40

HE-VA Front-lift Integrated, hydraulics

Pos. no.	Item no.	Pcs.	Description	Note
1		2	Dust cap, blue	
2		2	Quick coupling, male E402	
3		2	Angular screw-in union, 12-1/2" BSP	
4		2	Hydraulic hose 5500 mm 3/8" st/45	
5		2	Cylinder, Ø100/40 SL= 185 mm	
6		2	Hydraulic hose 400 mm 3/8" st/st	
7		4	Angular screw-in union 12-3/8" BSP	
8		2	Cutting ring Ø12 mm	
9		2	Union nut Ø12 mm	
10		2	Adjustable bracket T12L, with O-ring	

