

Arable Injector

Spare Parts for
SN800
Model year 2013 -



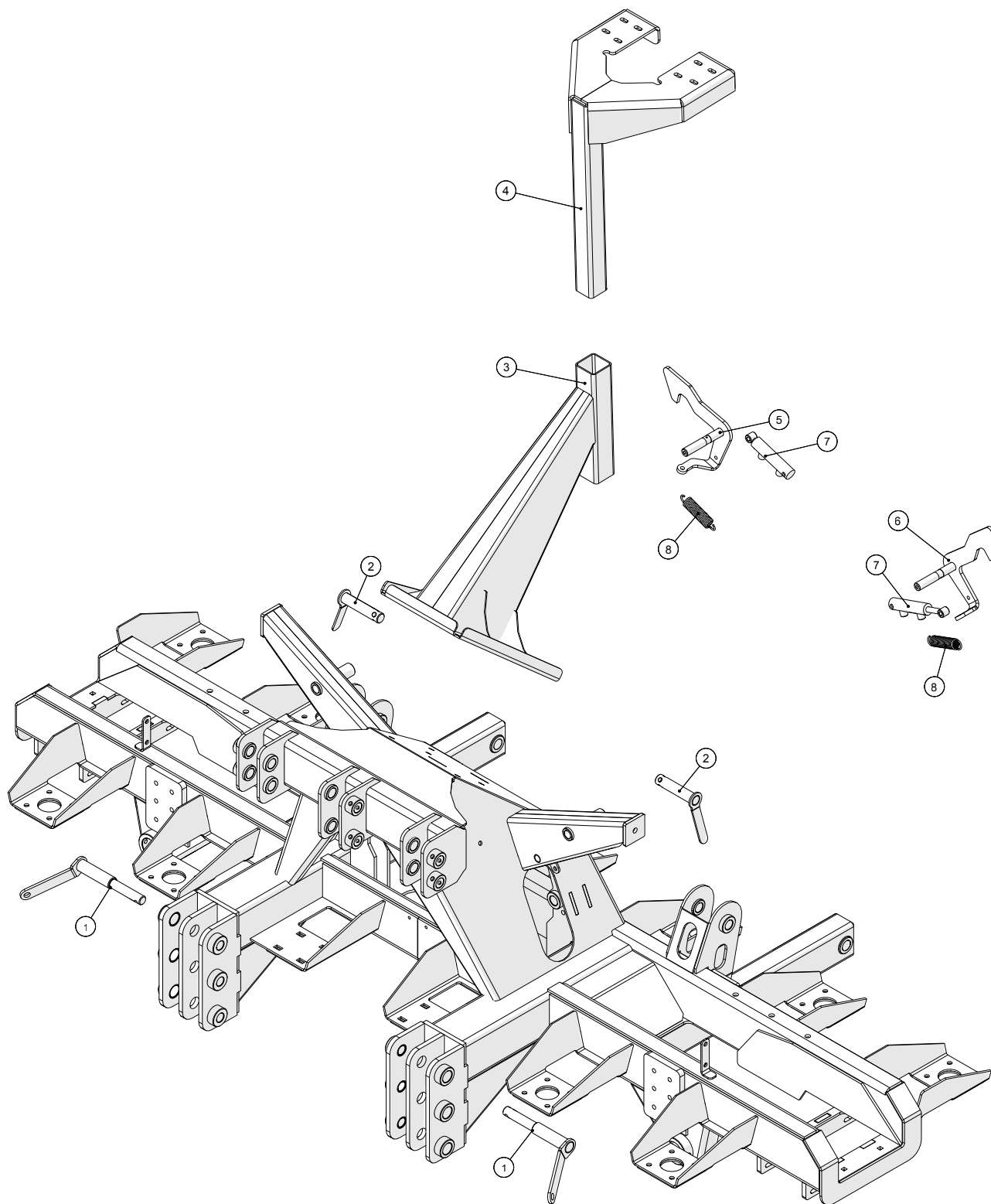
Date: 26/4-2016	Arable Injector SN800 Model year 2013 -
2	



Table of Contents

Parts for middle section	3
Lighting	4
Middle section	5
Right wing	6
Left wing	7
Cultivator tooth	8
Top rod	9
Spindle	10
Compactor, middle	11
Compactor, wing	12
Spring teeth harrow, middle	13
Spring teeth harrow, wing	14
Support wheel	15
Support wheel, Slurry Reel System	16
Distributor - DOSIMAT	17
Hub	18
Cultivator tooth - overview	19

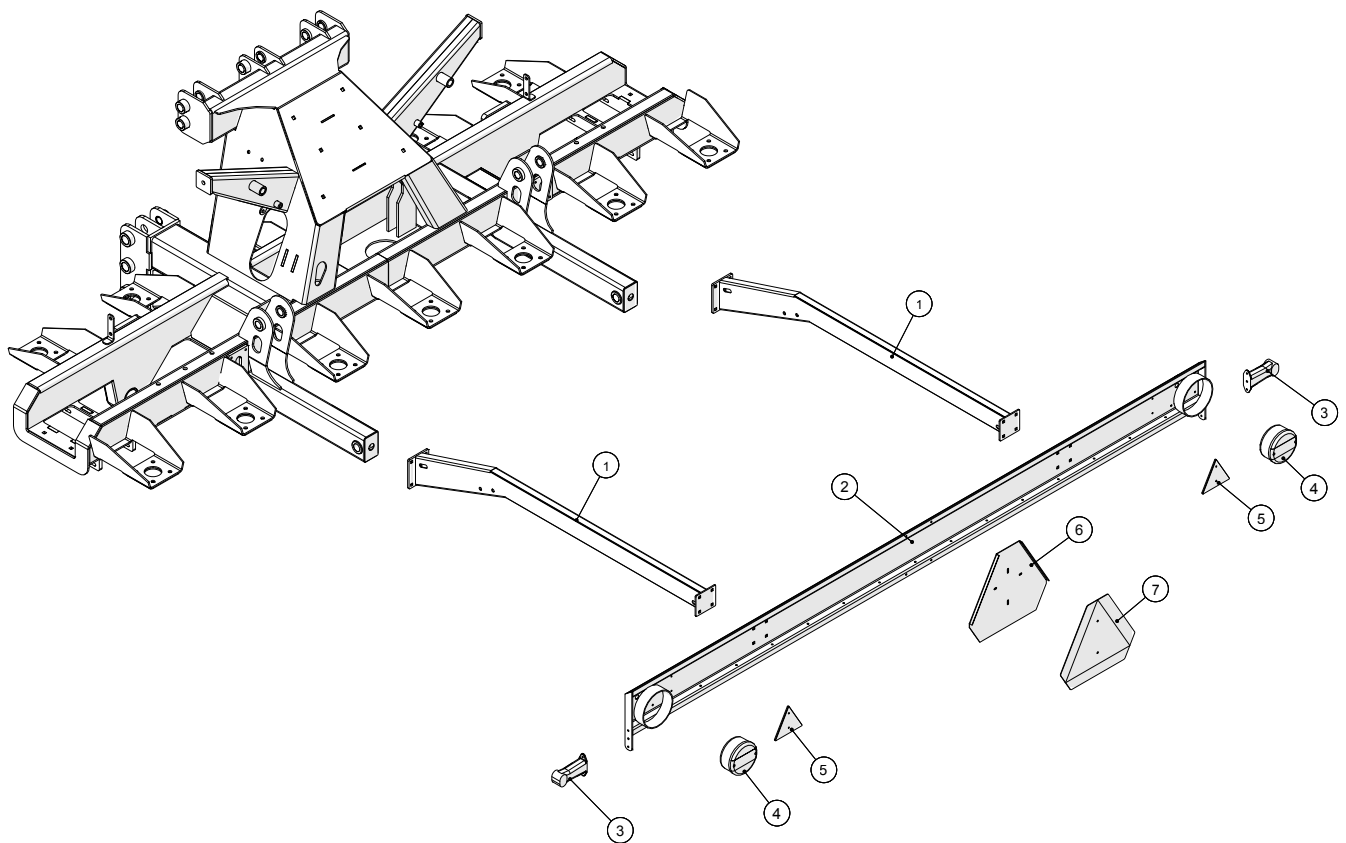
Parts for middle section



Arable Injector SN800 Model year 2013 -	Date: 26/4-2016
	3

Parts for middle section				
Pos. no.	Item no.	Pcs.	Description	Note
1	2120401398	2	Pin for lift	
2	2120401742	2	Pin for top rod tower	
3	2120401840	1	Distributor suspension	
4	2120401835	1	Distributor suspension	
5	2120401465	1	Lock for right wing	
6	2120401462	1	Lock for left wing	
7	21031530	2	Cylinder	
	21031530-1	1	Seal kit	
8	151377802510	2	Spring	

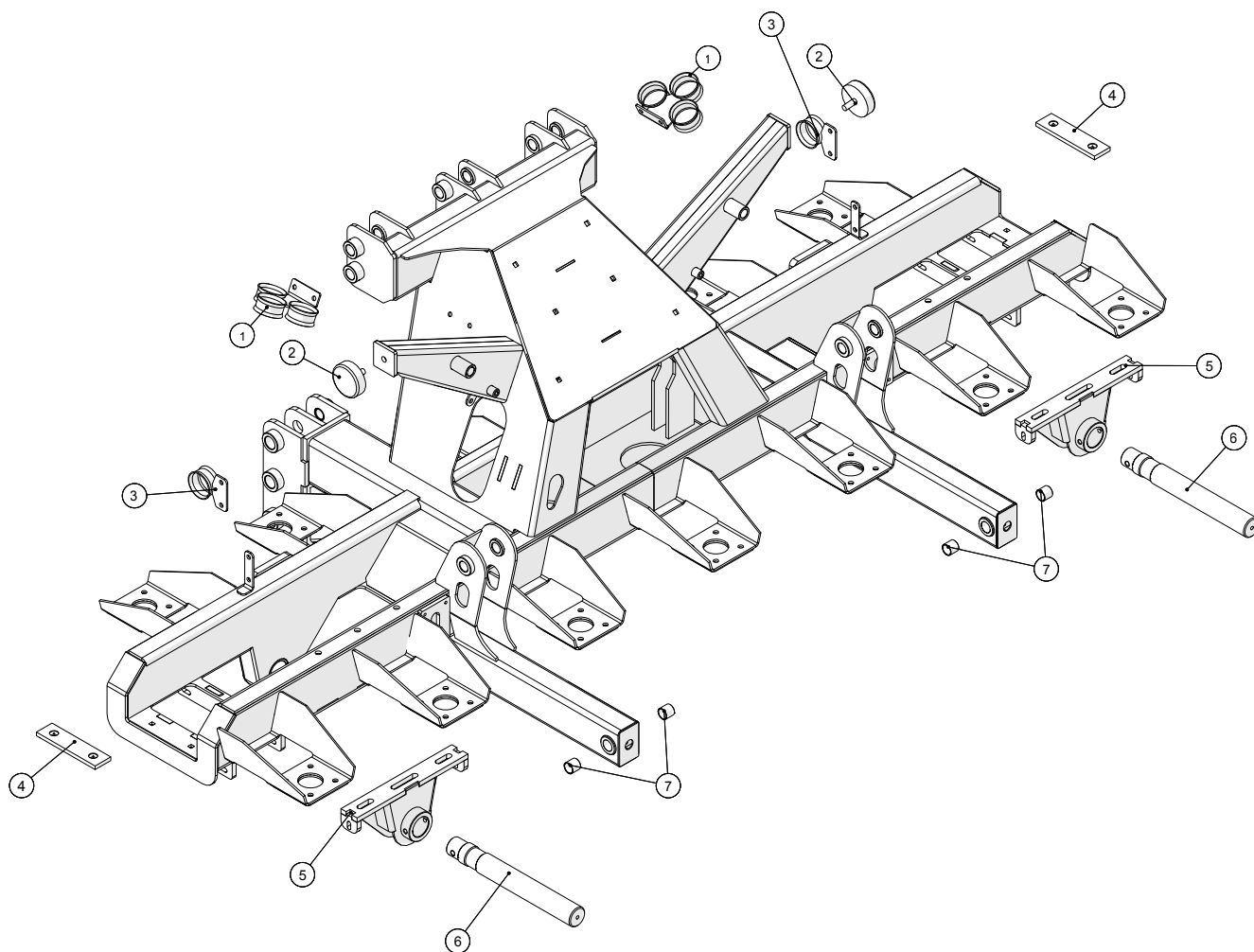
Lighting



Arable Injector SN800 Model year 2013 -	Date: 26/4-2016
	4

Lighting				
Pos. no.	Item no.	Pcs.	Description	Note
1	2120401780	2	Suspension for lighting	
2	2120401790	1	Light bar	
3	1229140071	2	End outline marker complete	
4	25017255	2	Tail light Stop / blink	
5	210434566501	2	Red triangular reflex	
6	2120401634	1	Bracket for warning triangle	
7	20141020	1	Warning triangle wo/brackets	

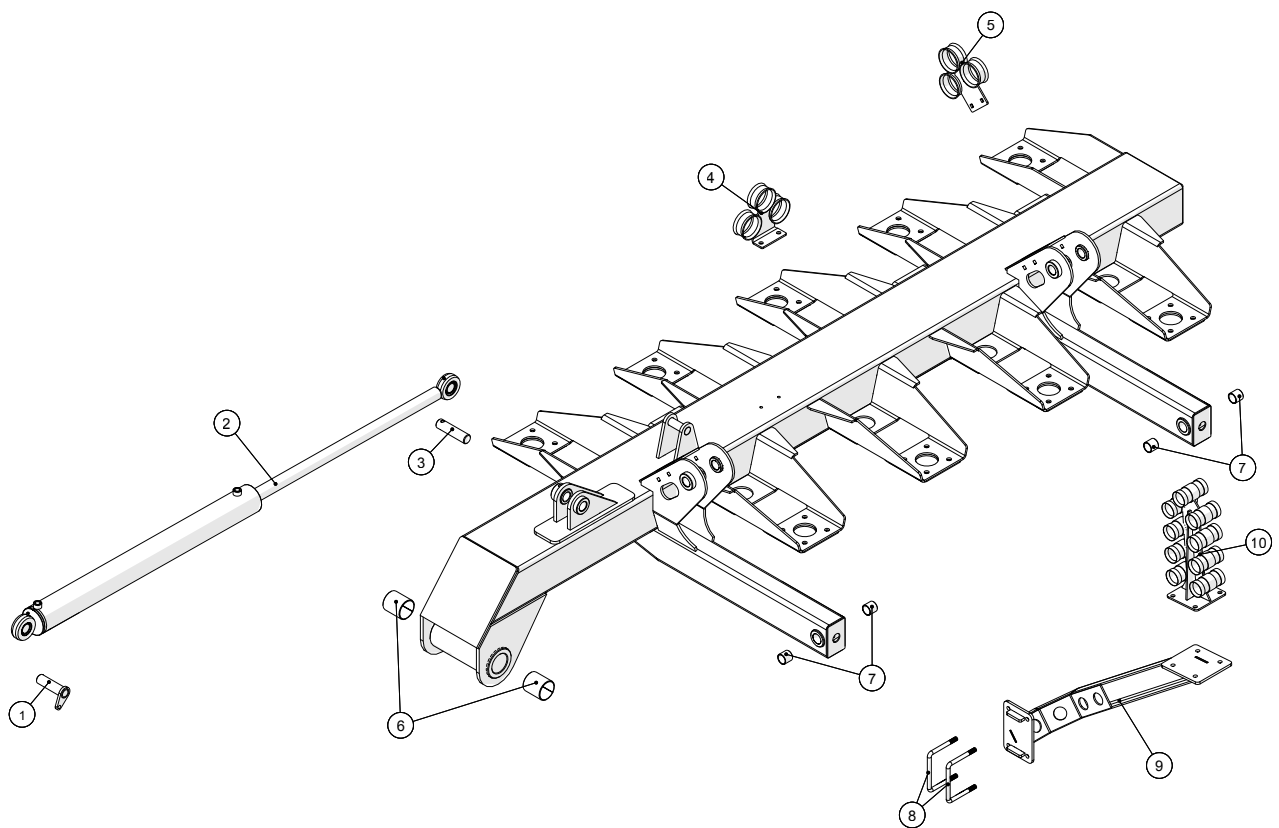
Middle section



Arable Injector SN800 Model year 2013 -	Date: 26/4-2016
	5

Middle section				
Pos. no.	Item no.	Pcs.	Description	Note
1	2120401609	2	Hose bracket for 3 hoses	
2	21031515	2	Vibration absorber type04 Ø100	
3	2120401617	2	Hose bracket	
4	2120401392	2	Distance plate for wing	
5	2120401720	2	Hinge for wing	
6	2120401390	2	Shaft wing	
7	1513820123	4	Plain bearing	

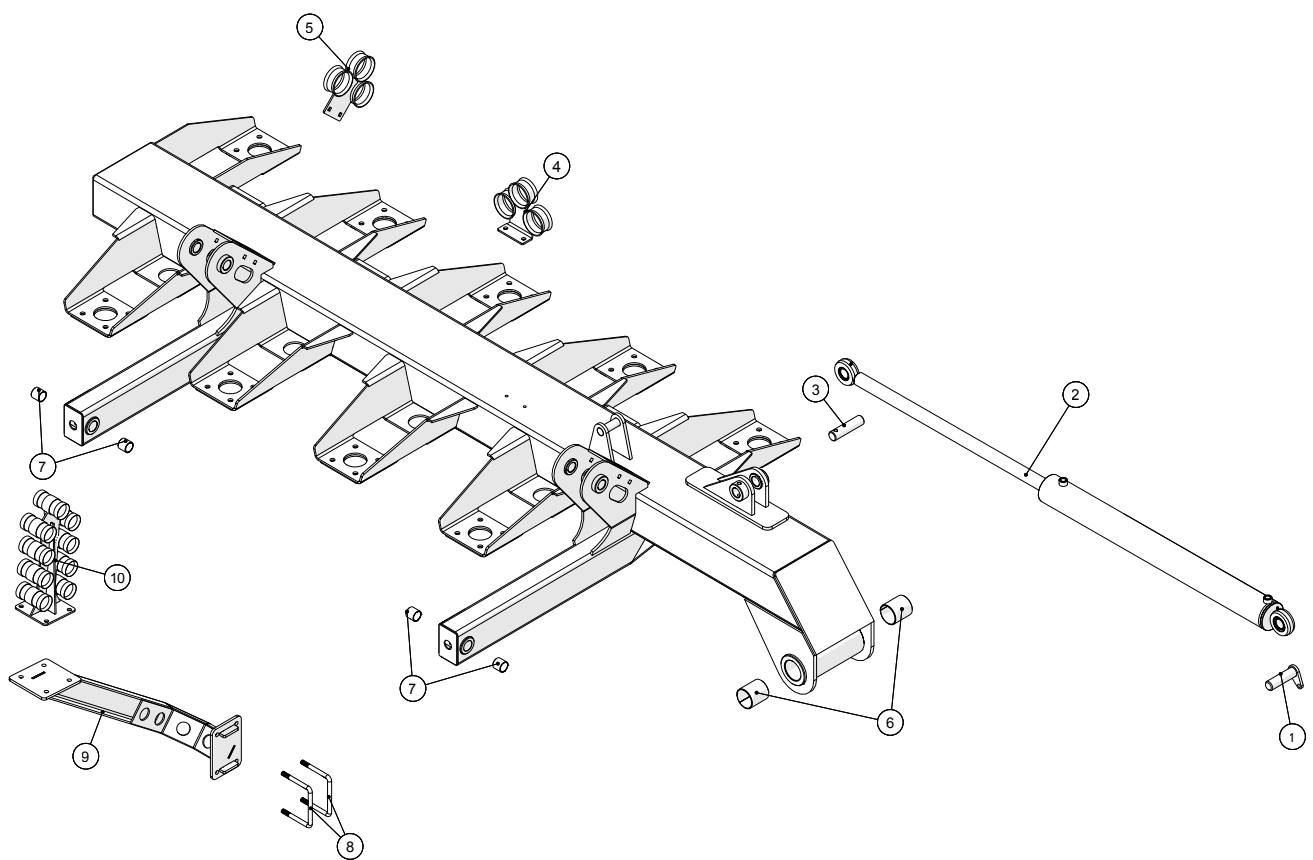
Right wing



Arable Injector SN800 Model year 2013 -	Date: 26/4-2016
	6

Right wing				
Pos. no.	Item no.	Pcs.	Description	Note
1	2120401486	1	Pin for cylinder with ball joint	
2	21031534	1	Cylinder	
	21031535-1		Seal kit	
3	2120401740	1	Pin for cylinder	
4	2120401609	1	Hose bracket for 3 hoses	
5	2120401604	1	Hose bracket for 3 hoses	
6	1513820129	2	Plain bearing	
7	1513820123	4	Plain bearing	
8	251476634940	2	U-clamp	
9	2120402007	1	Hose bracket arm	
10	2120401100	1	Hose bracket	

Left wing



Arable Injector SN800 Model year 2013 -	Date: 26/4-2016
	7

Left wing				
Pos. no.	Item no.	Pcs.	Description	Note
1	2120401486	1	Pin for cylinder with ball joint	
2	21031534	1	Cylinder	
	21031535-1		Seal kit	
3	2120401740	1	Pin for cylinder	
4	2120401609	1	Hose bracket for 3 hoses	
5	2120401604	1	Hose bracket for 3 hoses	
6	1513820129	2	Plain bearing	
7	1513820123	4	Plain bearing	
8	251476634940	2	U-clamp	
9	2120402006	1	Hose bracket arm	
10	2120401100	1	Hose bracket	

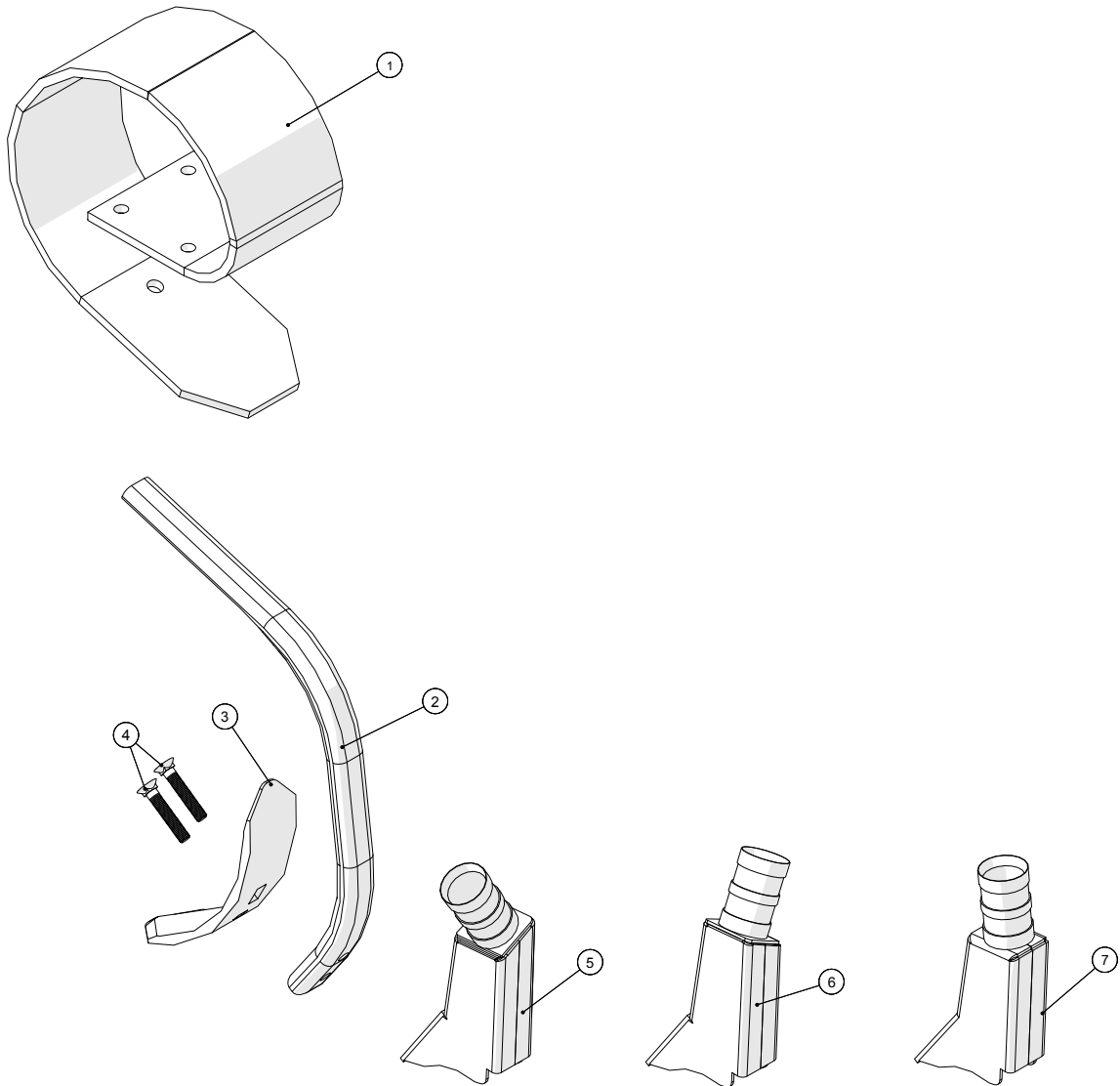
Date: 26/4-2016

8

Arable Injector SN800

Model year 2013 -

Cultivator tooth



Arable Injector SN800 Model year 2013 -	Date: 26/4-2016
	8

Cultivator tooth				
Pos. no.	Item no.	Pcs.	Description	Note
1	21031523	1	Leaf spring	
2	21031521	1	Bottom for leaf spring	
3	21031525	1	Share	
4	21031522	2	Plough bolt 12x60	
5	2120401080	1	Injector Nozzle, left	
6	2120401090	1	Injector Nozzle, right	
7	2120401095	1	Injector Nozzle, straight	

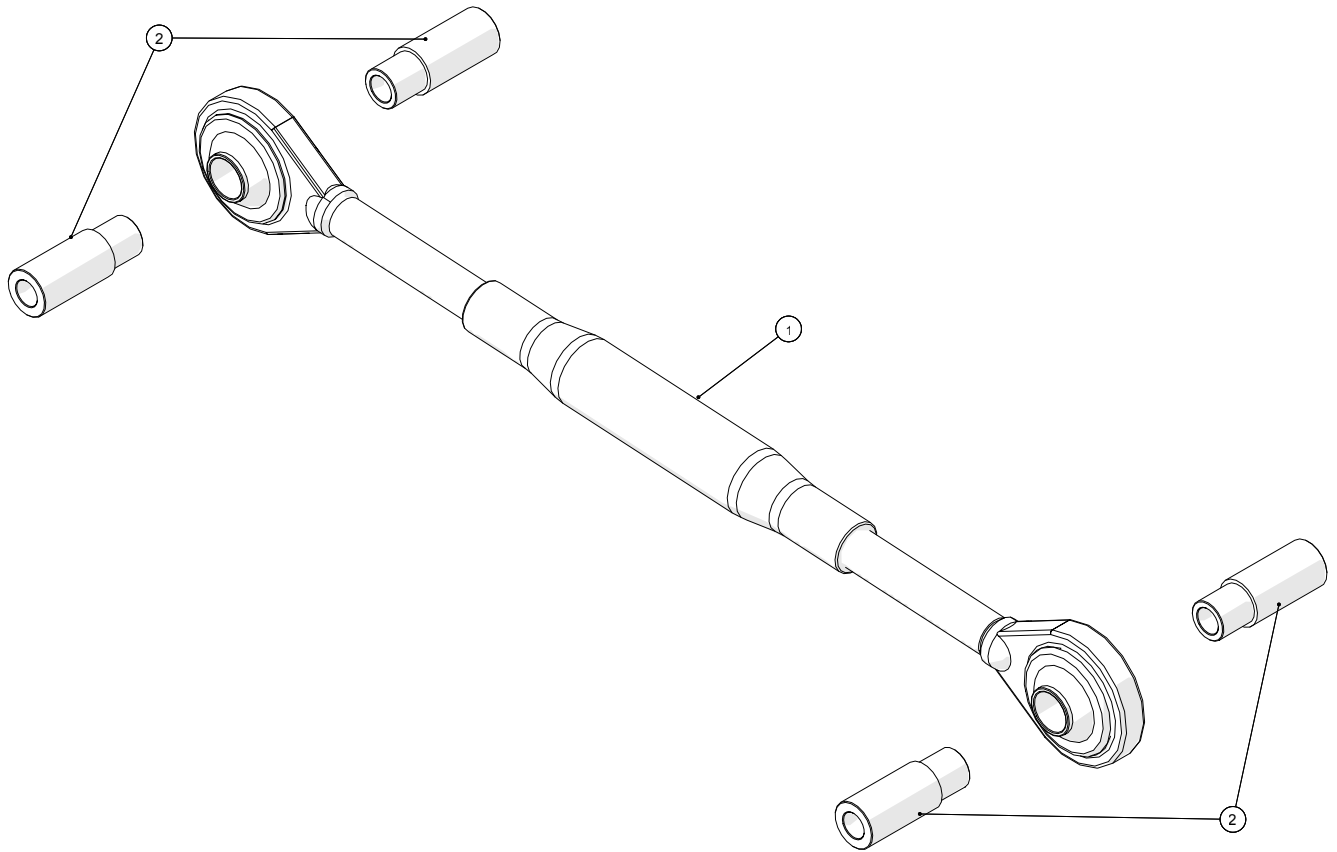
Date: 26/4-2016

9

Arable Injector SN800

Model year 2013 -

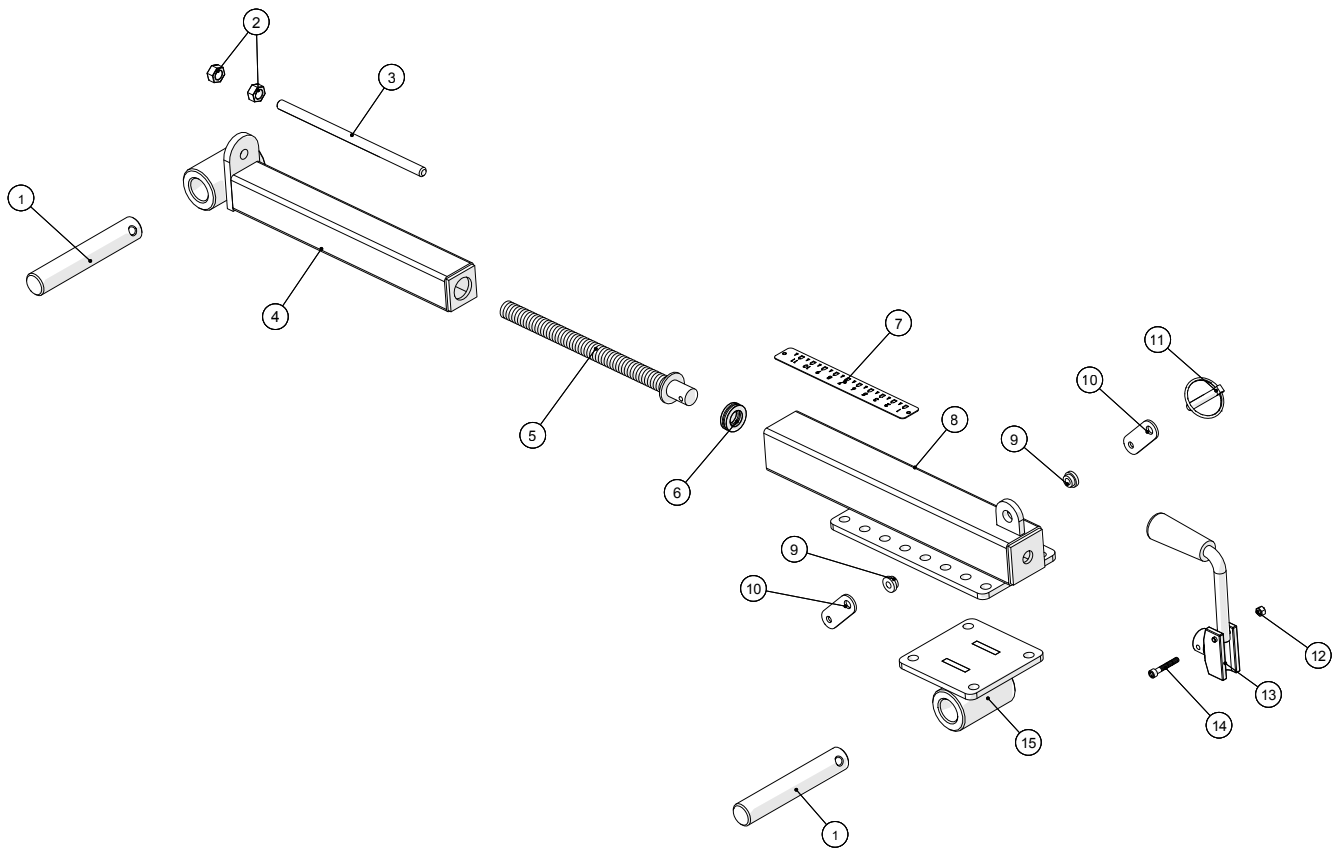
Top rod



Arable Injector SN800 Model year 2013 -	Date: 26/4-2016
	9

Top rod				
Pos. no.	Item no.	Pcs.	Description	Note
1	25017254	1	Top rod	
2	2120401999	4	Adapter Bushing for top rod	

Spindle



Arable Injector SN800
Model year 2013 -

Date: 26/4-2016

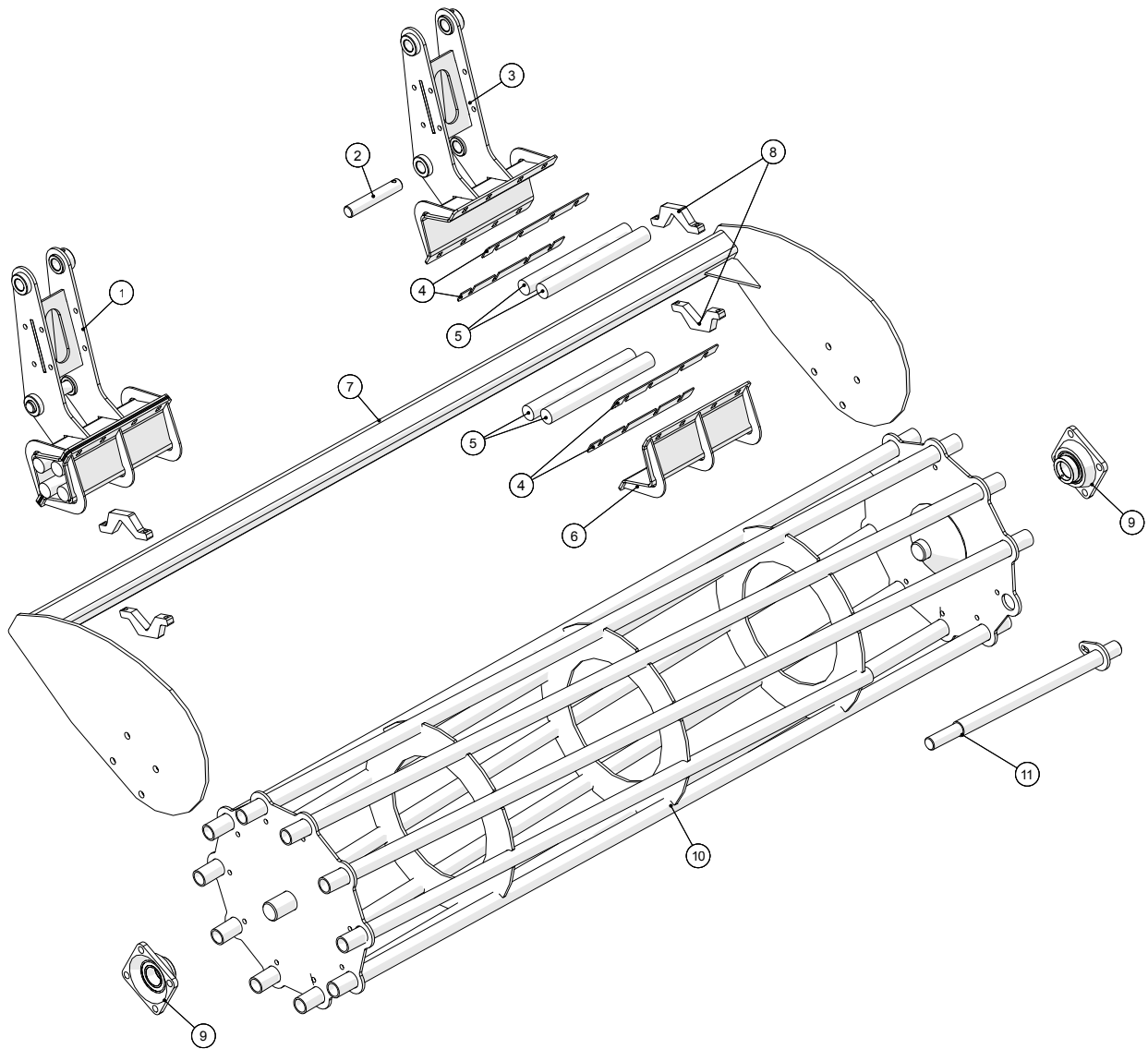
10

Spindle

Pos. no.	Item no.	Pcs.	Description	Note
1	2120401414	2	Pin for suspension	
2	132602112	2	Nut M12	
3	2120401438	1	Indicator rod for depth control	
4	2120401411	1	Spindle	
5	2120401839	1	Trapez spindle	
6	193051104	1	Thrust bearing	
7	2120401439	1	Indicator plate for depth control spindle	
8	2120401452	1	Spindle pipe	
9	2120401436	2	Distance bush for spindle lock	
10	2120401428	2	Locking lug for spindle	
11	23630160	1	Safety pin $\varnothing 9 \times 45$	
12	132602006	1	Lock nut M6	
13	21031511	1	Spindle handle	
14	13268506040	1	Unbracobolt M6x40	
15	2120401416	1	Clamp bracket	



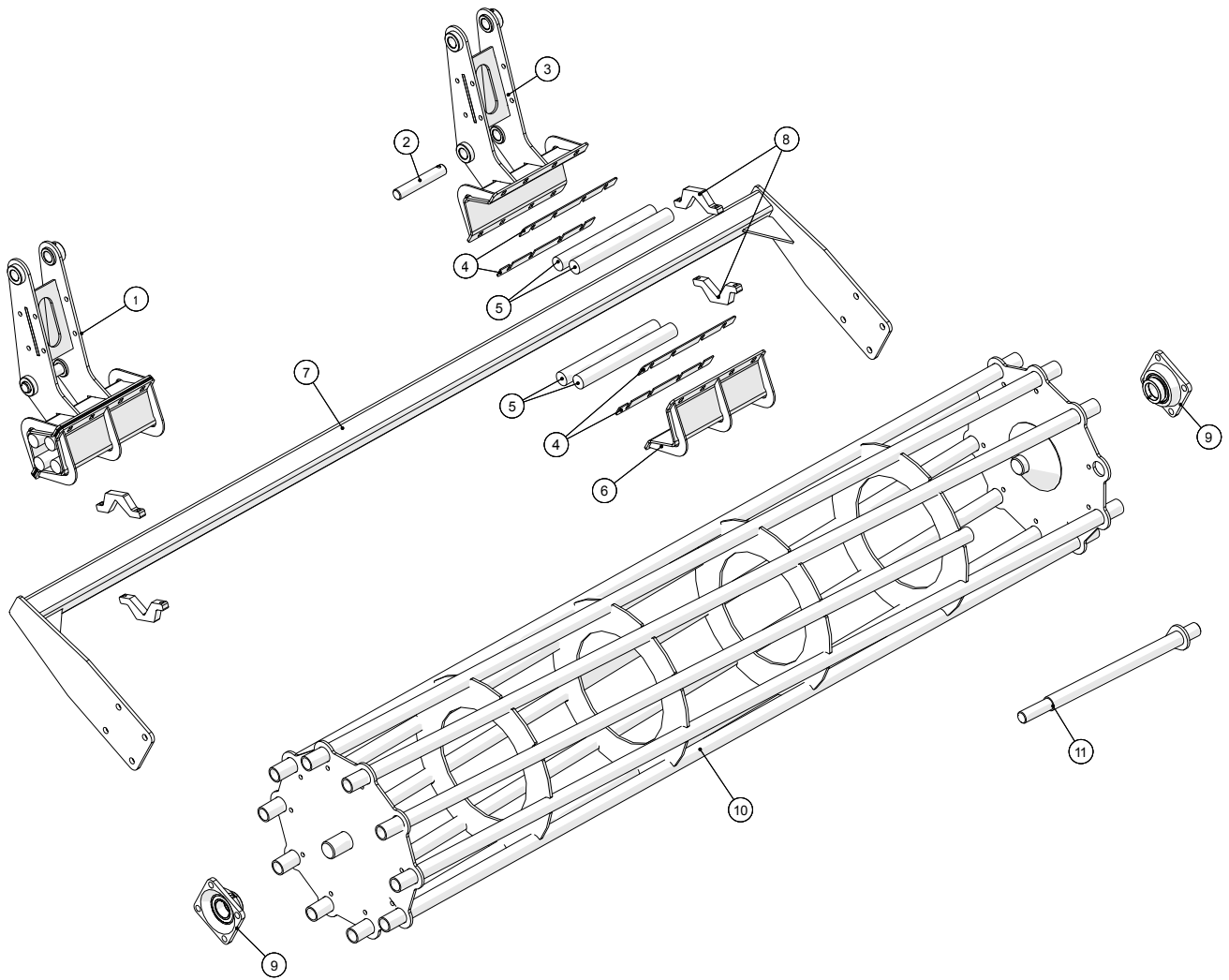
Compactor, middle



Arable Injector SN800 Model year 2013 -	Date: 26/4-2016
	11

Compactor, middle				
Pos. no.	Item no.	Pcs.	Description	Note
1	2120401396	1	Mounting bracket	
2	2120401414	1	Pin for suspension	
3	2120401386	1	Lifting bracket	
4	2120401553	4	Adjustable plate for suspension	
5	21201054	4x0,35m	Rubber Cord Ø40	
6	2120401389	1	Clamping bracket for suspension	
7	2120401400	1	Suspension for middle compactor	
8	2120401524	4	Lock fittings for suspension	
9	19312350	2	Flange bearing	
10	2120401404	1	Middle compactor	
11	2120401558	1	Stone rod	

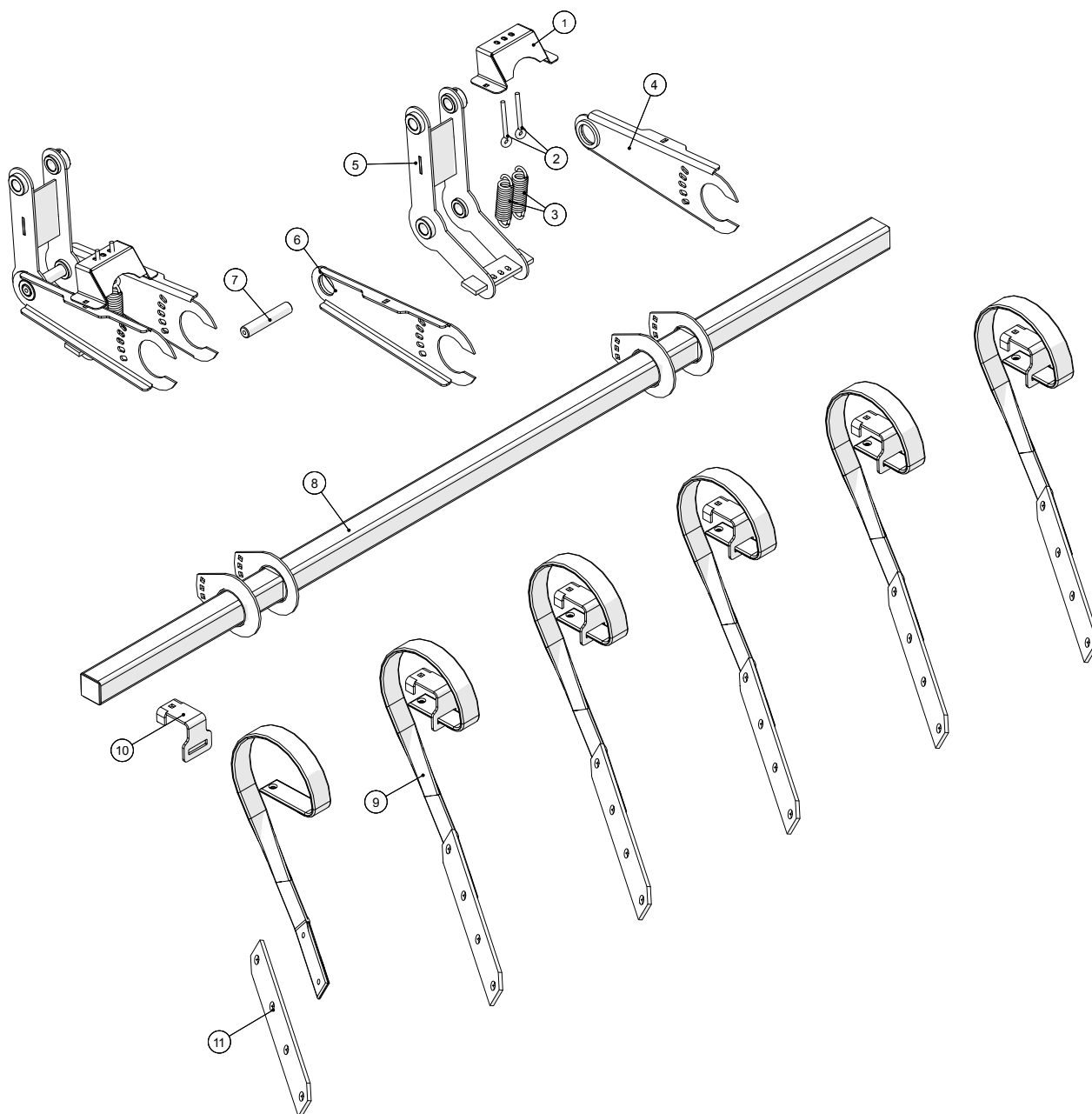
Compactor, wing



Arable Injector SN800 Model year 2013 -	Date: 26/4-2016
	12

Compactor, wing				
Pos. no.	Item no.	Pcs.	Description	Note
1	2120401396	1	Mounting bracket	
2	2120401414	1	Pin for suspension	
3	2120401386	1	Lifting bracket	
4	2120401553	4	Adjustable plate for suspension	
5	21201054	4x0,35m	Rubber Cord Ø40	
6	2120401389	1	Clamping bracket for suspension	
7	2120401380	1	Beam for compactor	
8	2120401524	4	Lock fittings for suspension	
9	19312350	2	Flange bearing	
10	2120401371	1	Compactor for wings	
11	2120401558	1	Stone rod	

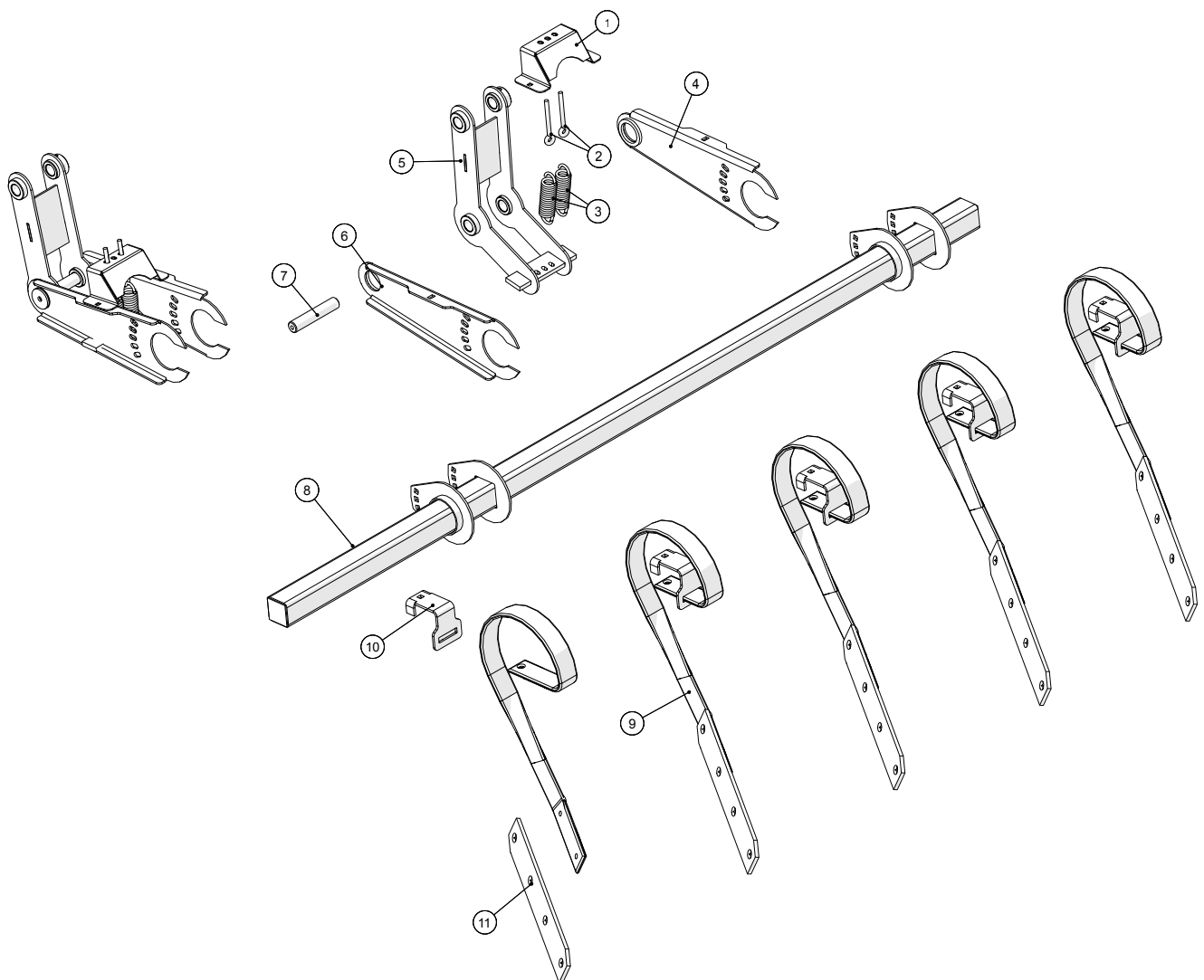
Spring teeth harrow, middle



Arable Injector SN800 Model year 2013 -	Date: 26/4-2016
	13

Spring teeth harrow, middle				
Pos. no.	Item no.	Pcs.	Description	Note
1	2120401537	2	Spring retainer for drag plank	
2	13269010100	2	Eye screw M10x100	
3	1513850610	2	Tension spring	
4	2120401529	2	The support arm	
5	2120401540	1	Spindle console	
6	2120401536	2	The support arm	
7	2120401546	1	Pin for suspension	
8	2120401447	1	Spring teeth harrow middle	
9	2120401444	6	Harrow teeth	
10	2120401408	1	Bracket for harrow teeth	
11	2120401437	1	Wearing piece for harrow teeth	

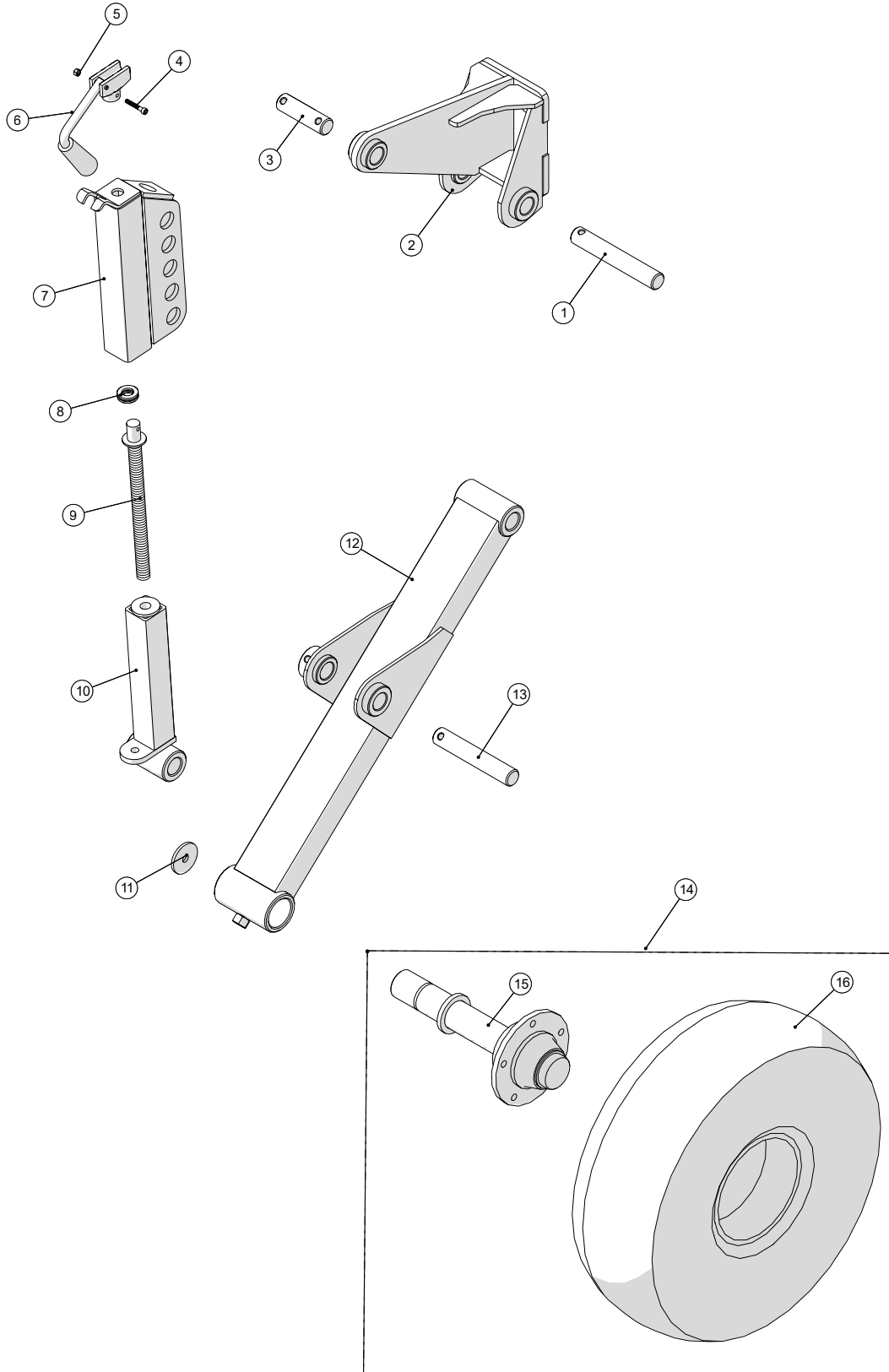
Spring teeth harrow, wing



Arable Injector SN800 Model year 2013 -	Date: 26/4-2016
	14

Spring teeth harrow, wing				
Pos. no.	Item no.	Pcs.	Description	Note
1	2120401537	2	Spring retainer for drag plank	
2	13269010100	2	Eye screw M10x100	
3	1513850610	2	Tension spring	
4	2120401529	2	The support arm	
5	2120401540	1	Spindle console	
6	2120401536	2	The support arm	
7	2120401546	1	Pin for suspension	
8	2120401431	1	Spring teeth harrow wing	
9	2120401444	6	Harrow teeth	
10	2120401408	1	Bracket for harrow teeth	
11	2120401437	1	Wearing piece for harrow teeth	

Support wheel



Arable Injector SN800
Model year 2013 -

Date: 26/4-2016

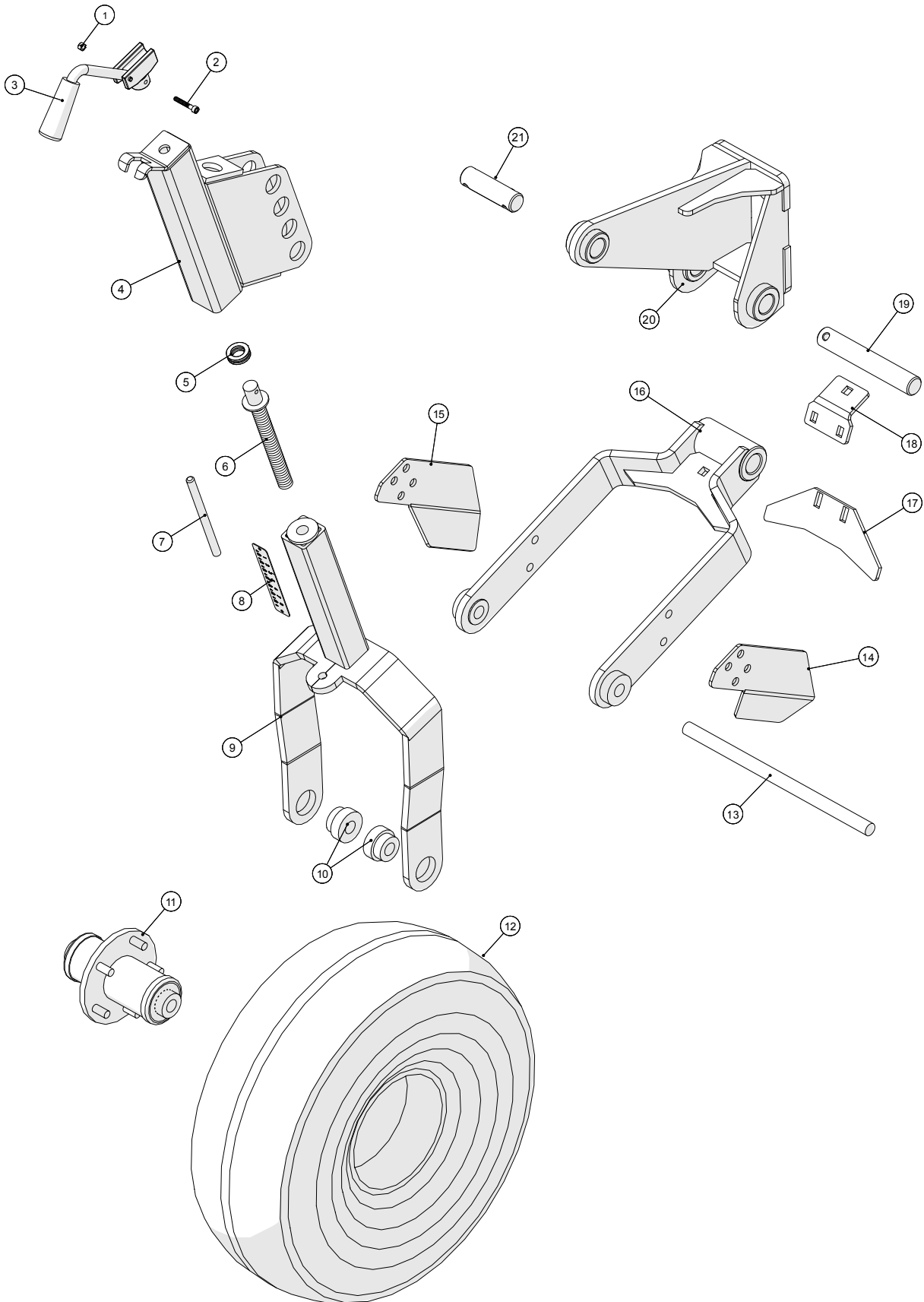
15

Support wheel

Pos. no.	Item no.	Pcs.	Description	Note
1	2120401427	1	Pin for suspension	
2	2120401880	1	Moveable suspension	
3	2120401547	1	Pin for spindle	
4	13268506040	1	Allen bolt M6x40	
5	132602006	1	Lock nut M6	
6	21031511	1	Spindle handle	
7	2120401877	1	Outer Profile for suspension	
8	193051104	1	Thrust bearing	
9	2120401839	1	Trapezoidal spindle	
10	2120401449	1	Spindle for wheels	
11	2120401651	1	Washer	
12	2120401421	1	Wheel suspension	
13	2120401414	1	Pin for suspension	
14	21028634	1	Wheel complete 23x8,5 & hub	
15	2120401886	1	Hub prolonged	
16	21028635	1	Wheel complete 23x8,5	
	21028635-1	1	Tire 23x8,5	
	21028635-2	1	Rim	



Support wheel, Slurry Reel System



Arable Injector SN800
Model year 2013 -

Date: 26/4-2016

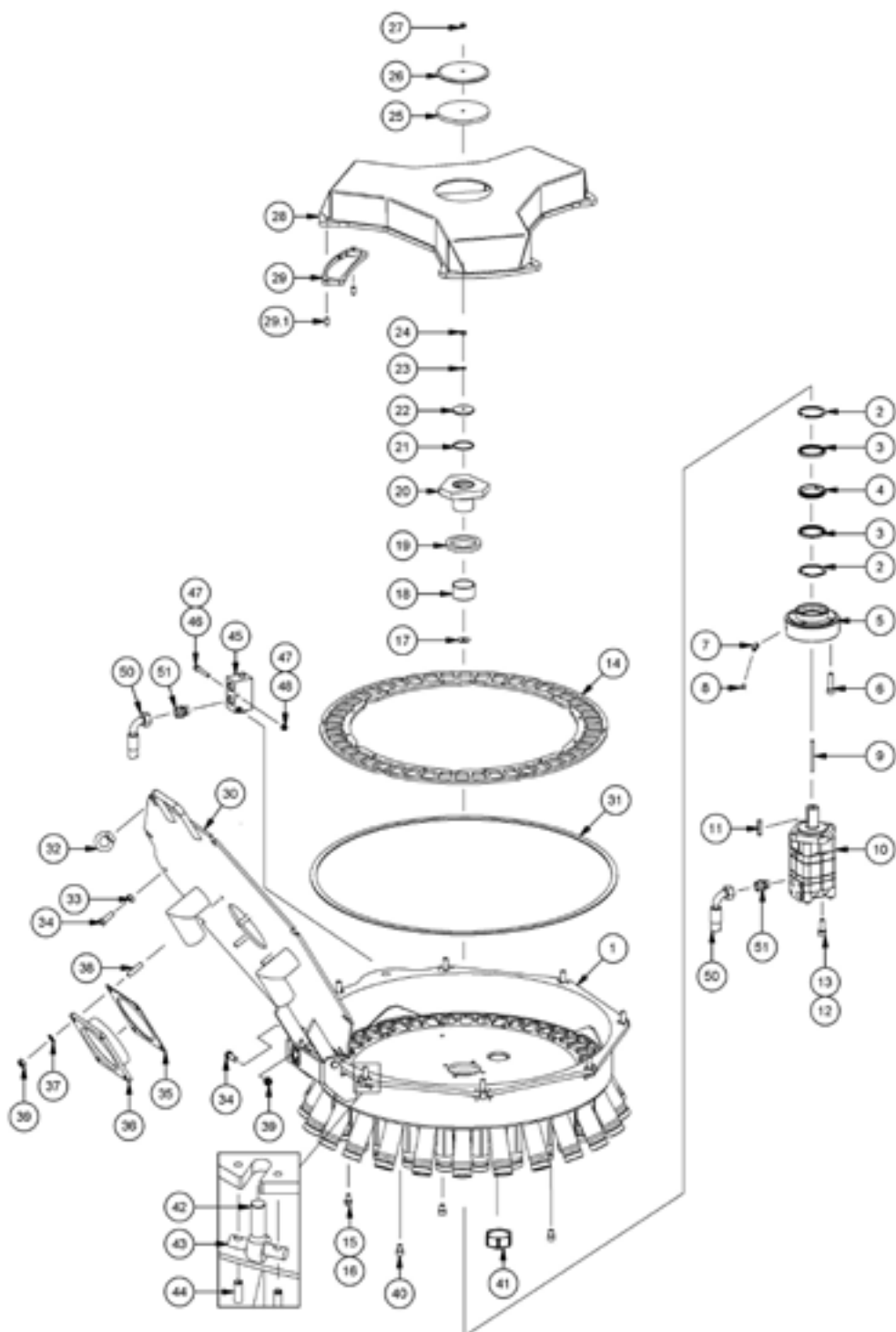
16

Support wheel, Slurry Reel System

Pos. no.	Item no.	Pcs.	Description	Note
1	132602006	1	Lock nut M6	
2	13268506040	1	Allen bolt M6x40	
3	21031511	1	Spindle handle	
4	2120401827	1	Spindle housing	
5	193051104	1	Thrust bearing	
6	2120401839	1	Trapezoidal spindle	
7	2120401509	1	Indicator rod for depth control	
8	2120401508	1	Indicator plate for depth control	
9	2120401820	1	Clevis	
10	2120401825	2	Locking sleeve for wheel fork	
11	2120401853	1	Hub complete	
	2120401848	2	Hub cap	
	2120401854	1	Distance bush	
	21027038	1	Hub	
	19300620601	1	Ball bearing	
12	21028635	1	Wheel complete 23x8,5	
	21028635-1	1	Tire 23x8,5	
	21028635-2	1	Rim	
13	2120401826	1	Wheel bolt for suspension	
14	2120401870	1	Left scraper	
15	2120401871	1	Right scraper	
16	2120401816	1	Wheel Fork	
17	2120401866	1	Scraper	
18	2120401865	1	Bracket for scraper	
19	2120401427	1	Pin for suspension	
20	2120401880	1	Moveable suspension	
21	2120401547	1	Pin for spindle	



Distributor - DOSIMAT



Arable Injector SN800
Model year 2013 -

Date: 26/4-2016

17

Distributor - DOSIMAT

Pos. no.	Item no.	Pcs.	Description	Note
1	2119TGE0025	1	Housing	
2		2	Retaining ring 72x2.5 DIN472	
3	2119DWD.050	2	Lip seal 60x72x7	
4	2119GRS0164	1	Distance sleeve	
5	2119TRS0032	1	Adaptor for hydraulic motor	
6		4	Hex socket head screw M12x45 DIN912	
7		1	Grease nipple 10x1, 45°	
8	2119BKA.001	1	Grease nipple cap	
9		1	Hex socket set screw M8x90 DIN913	
10	2119AOM.018	1	Hydraulic motor Ø32mm	
	2119DDS.003	(1)	Packet seal for hydraulic motor NBR	Contained in 2119AOM.018
11		(1)	Key A; 10x8x45	Contained in 2119AOM.018
12		4	Lock washer M12	
13		4	Hex socket head screw M12x35 DIN912	
14	2119TFL0085	1	Cutting ring	
15		8	Hex socket head screw M10x20 DIN912	
16		8	Washer A; 10.5x20x2 DIN125	
17		Option	Shim A; 10x31x0.2 DIN522	
18	2119NIR.023	1	Inner ring JR 55x60x35	
19	2119DFD0090	1	Ring gasket, foam	Impregnated with grease
20	2119GRS0167	1	Adaptor for rotor	
21	2119DOR.056	1	O-ring 50x2 NBR	
22		1	Pressure washer	
23	2119DKR.009	1	Sealing ring A; 8x14x1; Cu DIN7603	
24		1	Hex nut M8 DIN934	
25	2119TGD0001	1	Rubber disc t=10mm	Standard
	2119TGD0002	1	Rubber disc t=2mm	Option: strong preload
26	2119GRS0185	1	Preload disc	
27		1	Hex nut M8 DIN985	
28	2119TRO0213	1	Star rotor - extra wide	
29	2119TMS0043	3	Blade complete	
29.1	2119NSP0015	6	Dowel pin 10x20 ISO8752	



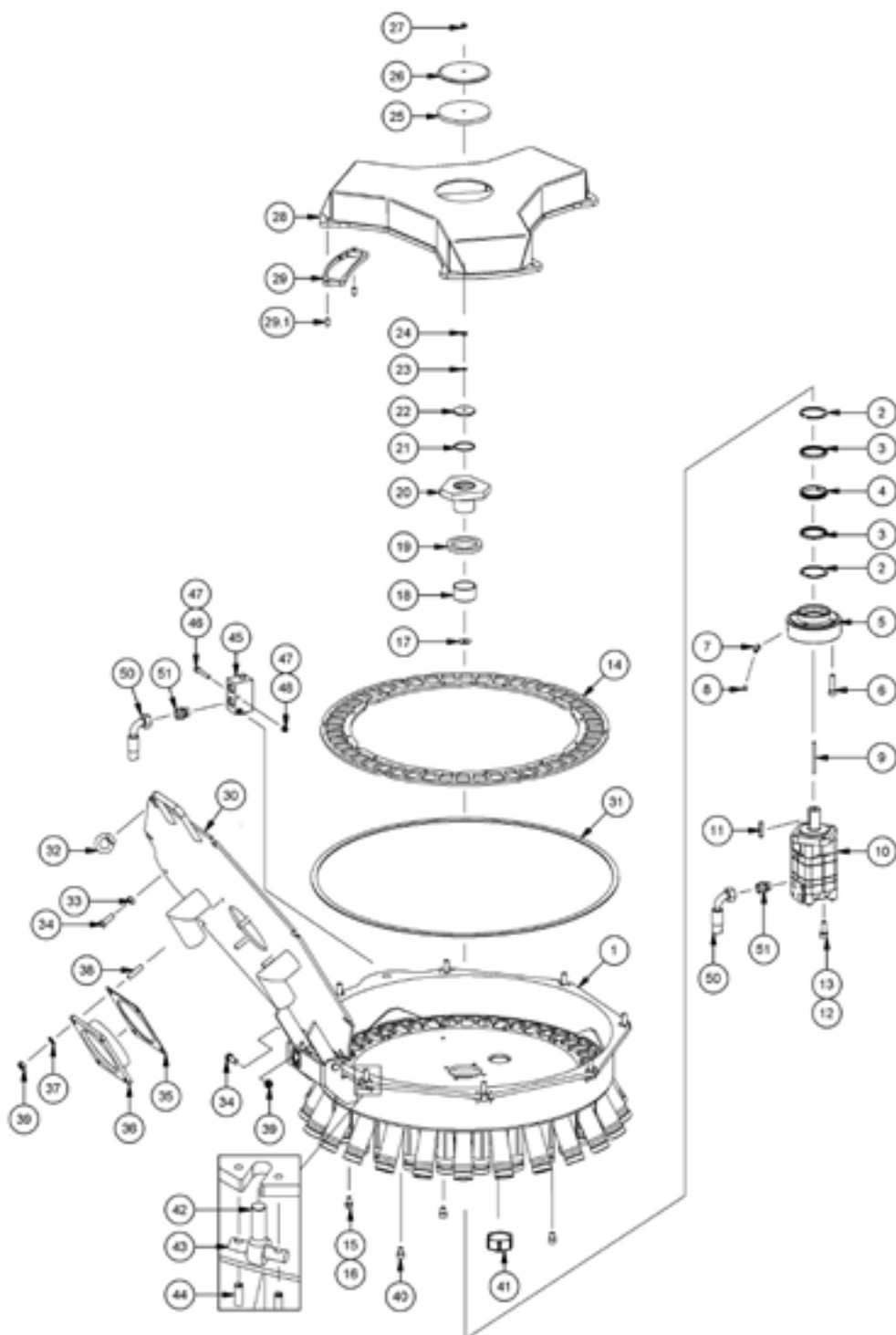
Date: 26/4-2016

17-1

Arable Injector SN800

Model year 2013 -

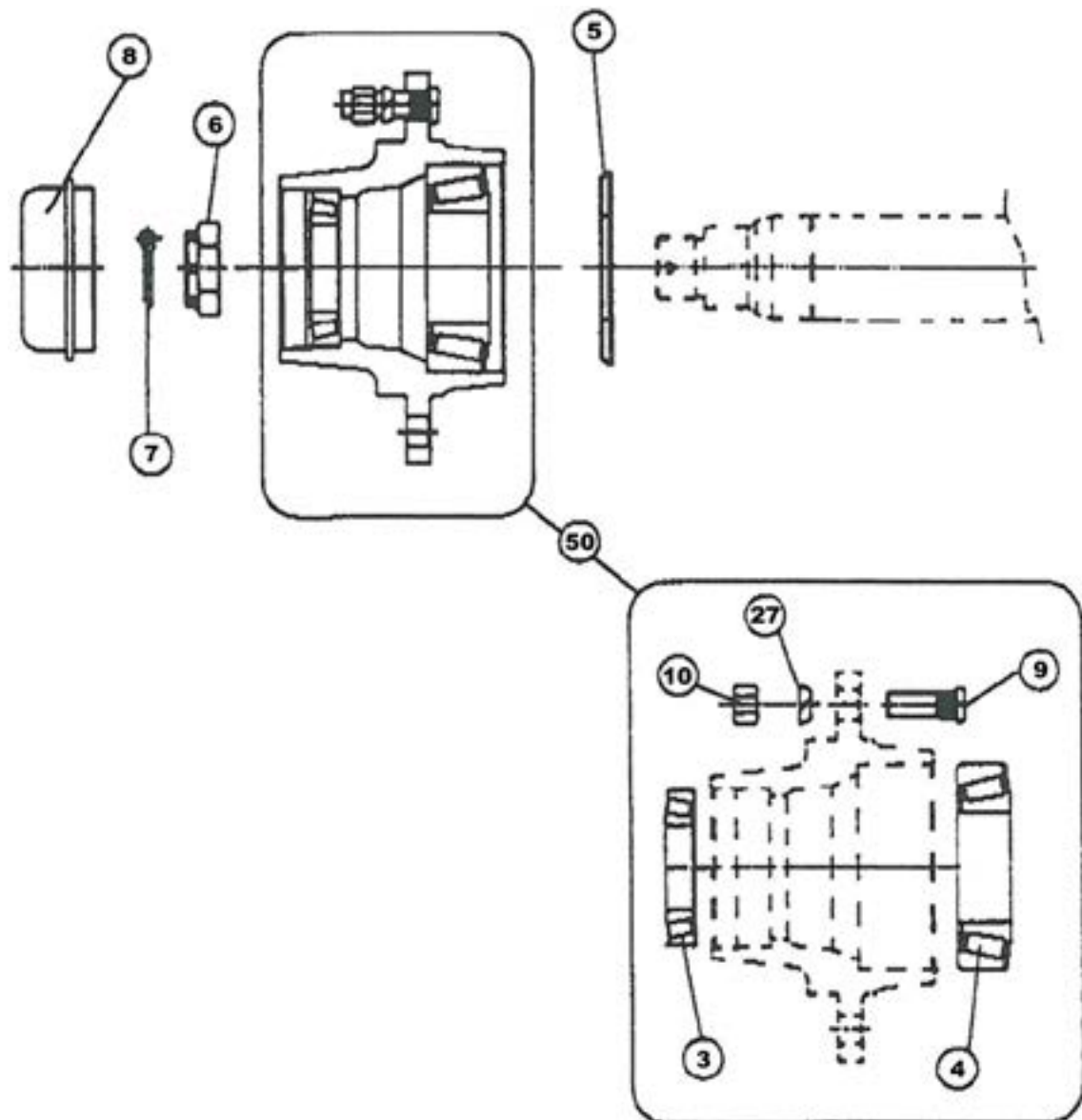
Distributor - DOSIMAT



Arable Injector SN800 Model year 2013 -	Date: 26/4-2016
	17-1

Distributor - DOSIMAT				
Pos. no.	Item no.	Pcs.	Description	Note
30	2119TDE0020	1	Cover Ø800	
31	2119TFD0001	2680mm	Asbestos-free gasket 15x4	
	2119BKL0004	x	Adhesive	Weikon
32	2119NMK.009	8	Eye nut M12 DIN582	
33		1	Hex nut M12 DIN934	
34		3	Hex head screw M12x40 DIN933	
35	2119DFD.018	1	Asbestos-free gasket 6"	
36	2119GSA0094	1	Connecting piece DN 150	
37		4	Washer A; 13x24x2.5 DIN125	
38		4	Stud M12x35 DIN938	
39		6	Hex nut M12 DIN985	
40		3	Hex socket head screw M12x16 DIN912	
41	2119NVE.042	1	Blind cap 2"	
42	2119NSH.004	8	Eye bolt B; M12x45 DIN444	
43	2119GRS0173	8	Support bracket	
44		16	Dowel pin 6x20 ISO 13337	
45	2119AHV0017	1	Lifting limit stop	
46		2	Hex head screw M8x65 DIN931	
47		4	Washer A; 8.4x16x1.6 DIN125	
48		2	Hex nut M8 DIN985	
50	2119THZ0005	1	Hydraulic hose 2SN DN16x1000 DKL/DKL	
51	2119NGE.010	2	Male end fitting 18L R ½"	

Hub



Arable Injector SN800 Model year 2013 -	Date: 26/4-2016
	18

Hub				
Pos. no.	Item no.	Pcs.	Description	Note
3	2102311F028		Outer hub bearing	
4	2102311F031		Inner hub bearing	
5	2102324F006		Retaining ring	
6	2102328F010		Crown nut	
7	2102310F003		Split pin	
8	2102307F045		Hub cap	
9	2102309F005		Wheel stud	
10	2102312F001		Wheel nut	
27			Washer	
50	2102323074AM		Hub assembly	

Cultivator tooth - overview

