

Self-propelled Slurry Distributor

Spare Parts for
SDS 8000
Model year 2015 - 2018



Table of Contents

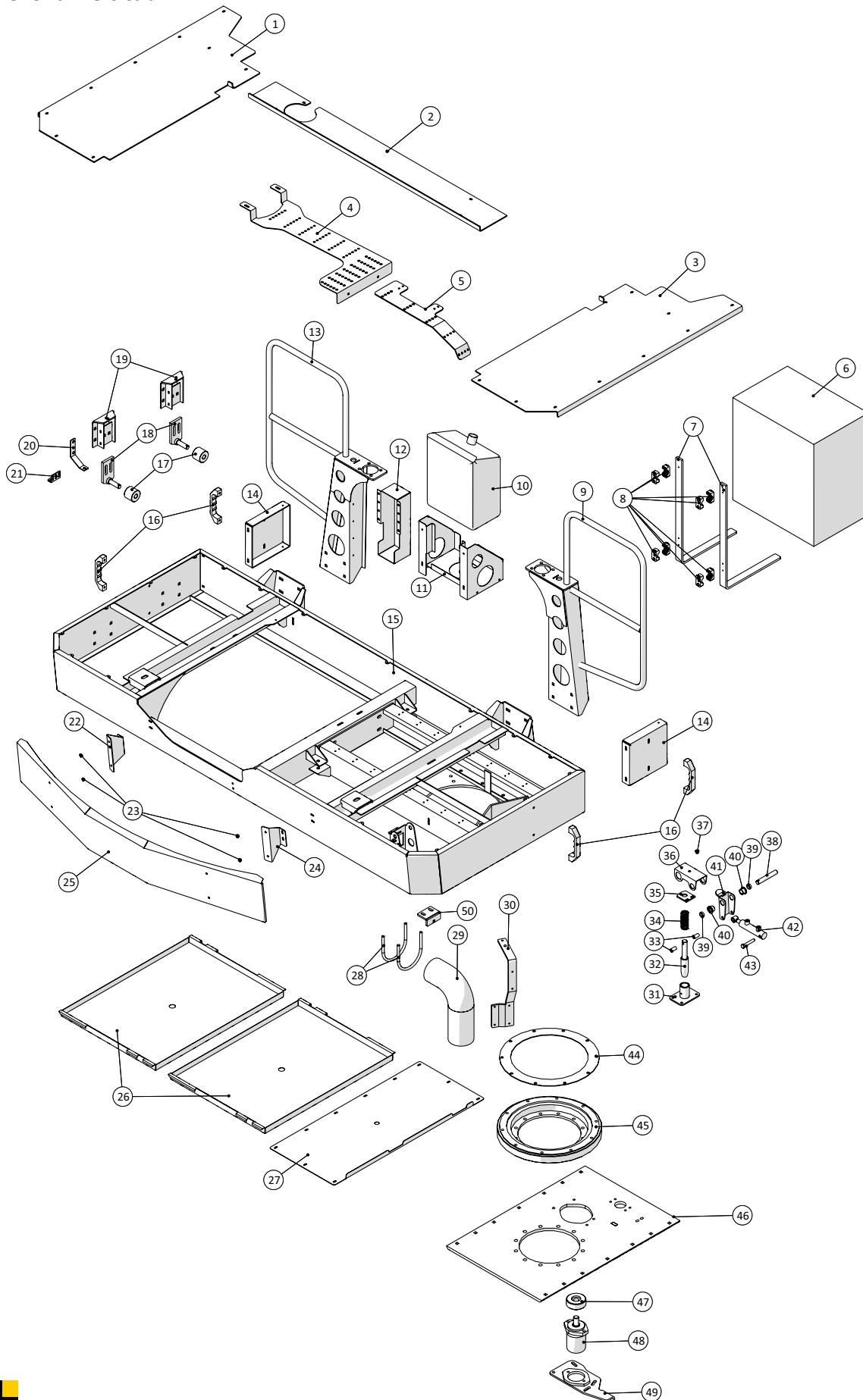
Console for drivers cabin	4	Piping - Front distributor	40
Brake pedal	5	Piping - Rear distributor.....	41
Engine console	6	Sponge trap.....	42
Lights, engine console	7	Swivel joint.....	43
Ladder for cabin	8	Hose reel	44
Engine parts	9	Hose reel engine.....	45
Battery box.....	10	Gearbox - Brake.....	46
Air intake.....	11	Brake - Flange	48
Exhaust	12	Brake - Gear set	50
Engine - Tier 3A	13	Brake - Output support.....	52
Engine - Tier 3B	14	Hose deflector	46
Radiator - Tier 3A	15	Frame for hose guide.....	47
Radiator - Tier 3B.....	16	Hydraulic hose guide	48
Air conditioning - Tier 3A.....	17	Hydraulic hose guide - Housing.....	49
Air conditioning - Tier 3B	18	Crane - Mounting frame	50
Electrical parts.....	19	Crane - Inner swivel joint.....	51
Parts for dribble bar	20	Crane - Middle swivel	52
Mudguard	21	Crane - Hose guide.....	53
Drive axle 114 with cardan shaft.....	22	Crane - Inlet.....	54
Steering axel.....	23	Hose inlet	55
Tire inflation systems.....	24	Guide arm	56
Wheels	25	Maize equipment	57
Hose deflector at the steering wheel	26	Hose assembly	58
Hydraulic tank	27	Hose clip.....	59
PVG	28	Transport tray.....	60
Hydraulic pipes.....	29	Drawbar	61
Control box.....	30	DANA SPICER Drive axle	62
Compressor cabinet.....	31	DANA SPICER Drive axle - Gear Box.....	63
Compressor tanks.....	32	DANA SPICER Steering axle	64
Toolbox	33		
Radiator cabinet.....	34		
Diesel tank	35		
Ladder by the diesel tank	36		
Covers, rear	37		
Electrical parts, rear	38		
Piping with distribution tank	39		



Table of Contents - alphabetical

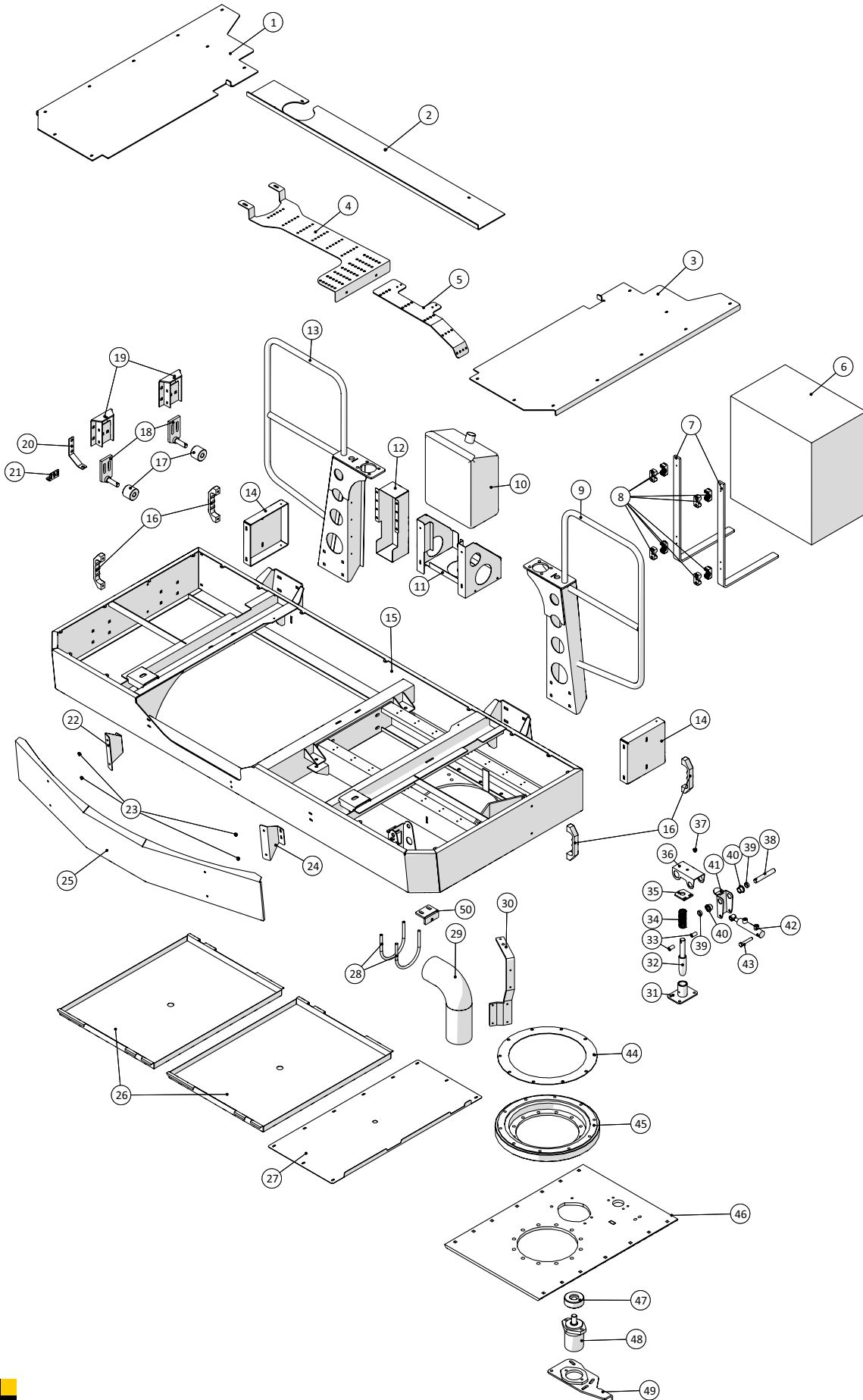
Air conditioning - Tier 3A.....	17	Hose reel engine.....	45
Air conditioning - Tier 3B.....	18	Hydraulic hose guide.....	48
Air intake.....	11	Hydraulic hose guide - Housing.....	49
Battery box.....	10	Hydraulic pipes.....	29
Brake - Flange.....	48	Hydraulic tank.....	27
Brake - Gear set.....	50	Ladder by the diesel tank.....	36
Brake - Output support.....	52	Ladder for cabin.....	8
Brake pedal.....	5	Lights, engine console.....	7
Compressor cabinet.....	31	Maize equipment.....	57
Compressor tanks.....	32	Mudguard.....	21
Console for drivers cabin.....	4	Parts for dribble bar.....	20
Control box.....	30	Piping - Front distributor.....	40
Crane - Hose guide.....	53	Piping - Rear distributor.....	41
Crane - Inlet.....	54	Piping with distribution tank.....	39
Crane - Inner swivel joint.....	51	PVG.....	28
Crane - Middle swivel.....	52	Radiator cabinet.....	34
Crane - Mounting frame.....	50	Radiator - Tier 3A.....	15
Covers, rear.....	37	Radiator - Tier 3B.....	16
DANA SPICER Drive axle.....	62	Sponge trap.....	42
DANA SPICER Drive axle - Gear Box.....	63	Steering axel.....	23
DANA SPICER Steering axle.....	64	Swivel joint.....	43
Drawbar.....	61	Tire inflation systems.....	24
Diesel tank.....	35	Toolbox.....	33
Drive axle 114 with cardan shaft.....	22	Transport tray.....	60
Electrical parts.....	19	Wheels.....	25
Electrical parts, rear.....	38		
Engine console.....	6		
Engine parts.....	9		
Engine - Tier 3A.....	13		
Engine - Tier 3B.....	14		
Exhaust.....	12		
Frame for hose guide.....	47		
Gearbox - Brake.....	46		
Guide arm.....	56		
Hose assembly.....	58		
Hose clip.....	59		
Hose deflector.....	46		
Hose deflector at the steering wheel.....	26		
Hose inlet.....	55		
Hose reel.....	44		

Console for drivers cabin



Console for drivers cabin				
Pos. no.	Item no.	Pcs.	Description	Note
1	251476806033	1	Right step plate for cabin console	
2	251476806035	1	Rear cover for cabin console	
3	251476806034	1	Left step plate for cabin console	
4	251476804911	1	Cable tray for cabin console	
5	251476806137	1	Cable rail for cabin console	
6	2514853003	1	Toolbox 375x585x530	
7	251476806220	2	Bracket for tool box	
8	51000028-01	8	STAUFF Clamp, single 28mm	
9	251476806025	1	Left rear cabin suspension	
10	2514854005	1	Sprinkler tank	
11	251476805087	1	Bracket for sprinkler tank	
12	251476806117	1	Cover	
13	251476806023	1	Right rear cabin suspension	
14	251476806031	2	Side for cabin console	
15	251476804239	1	Cabin Console	
16	2514803067	4	Handle	
17	251476461960	2	Tension roller	
18	251476700220	2	Bracket for support roller	
19	251476700160	2	Roller bracket for support	
20	251476801311	1	Mounting for lightsensor by cabin	
21	251476801147	1	Bracket for inductive sensor	
22	251476806039	1	Brackets for monitor	
23		4	Rivnut 6mm	
24	251476806038	1	Bracket for front cover	
25	251476804198	1	Front cover	
26	251476806050	2	Cover plate	
27	251476806020	1	Base plate	
28	23623703	2	U-bolt Ø141x171 M12	
29	251476806134	1	PE pipes for cabin	
30	251476806136	1	Bracket for cable tray	
31	251476806093	1	Guide bush for cabin lock	
32	251476806124	1	Locking tab for hydraulic lock for cabin	
33	251476806177	2	Spacer for cabin lock	
34	251425445995	1	Spring	
35	251476804839	1	Adjustment for cabin lock	
36	251476806125	1	Lever for cabin lock	
37		1	Rivnut 8mm	
38	251476804831	1	Shaft for cabin lock	
39	251476806096	2	Spacer for cabin lock	

Console for drivers cabin



≡ 1 ↓
≡ 2 ↓

A-Z

Self-propelled Slurry distributor SDS8000
Model year 2015 - 2018

Date: 15/9-2016

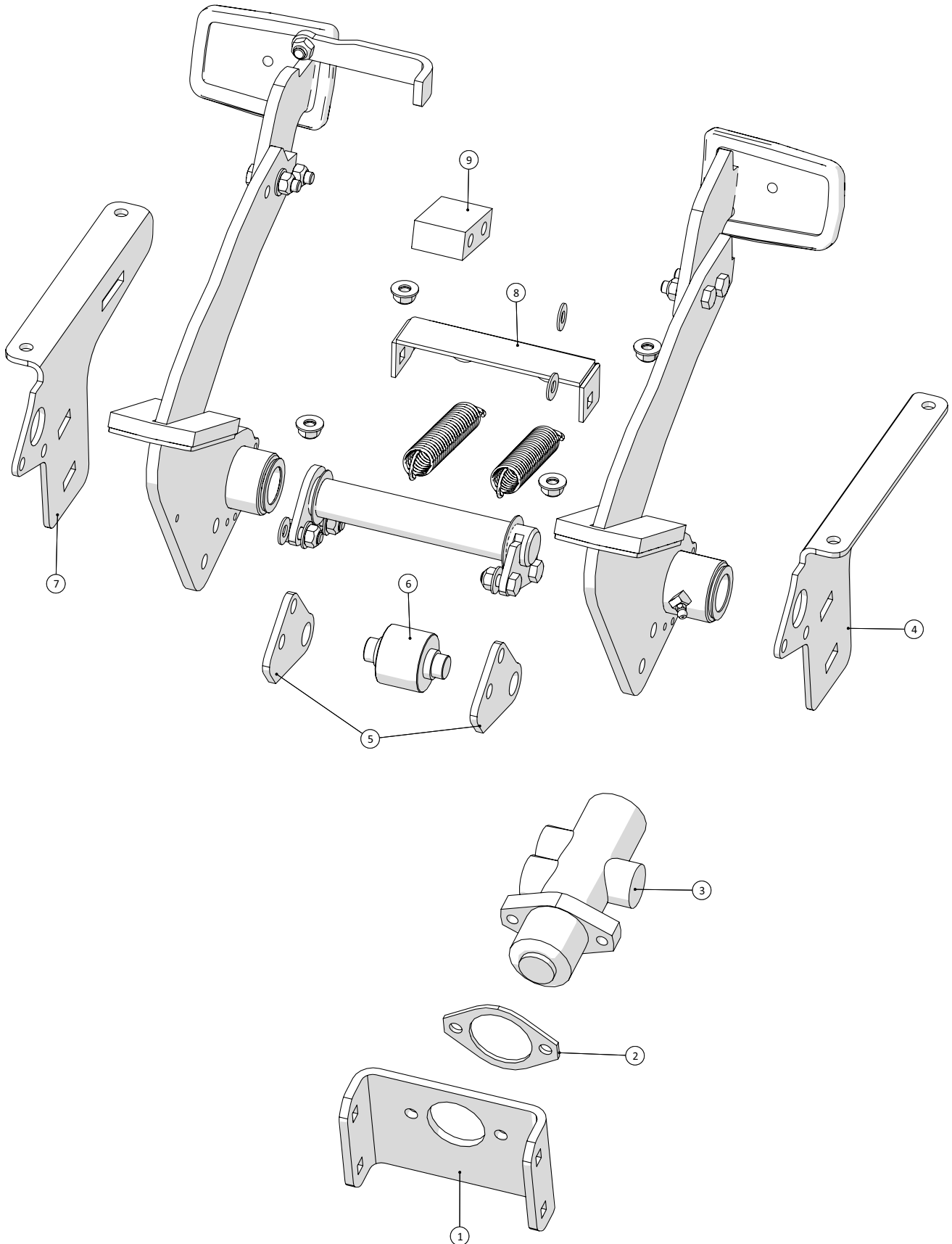
4-1

Console for drivers cabin

Pos. no.	Item no.	Pcs.	Description	Note
40	251476801087	2	Plastic bearing for brake shaft	
41	251476806180	1	Lever for cabin lock	
42	2514850985	1	Hydraulic Cylinder	
43		1	Steel bolt M12x70	
44	251476806153	1	Spacer	
45	2514850205	1	Bracket for central lubrication hose beneath	
46	251476804243	1	Mounting Plate for cabine bearings	
47	251476637290	1	Sprocket for cabin turn	
48	2514851008	1	Oil engine	
	25131470	1	Seal kits for oil engine	
49	251476801222	1	Arm for oil engine	
50	251476806152	1	Stop for cabine console	



Brake pedal



≡ 1 ↓
≡ 2 ↓

A-Z

Self-propelled Slurry distributor SDS8000
Model year 2015 - 2018

Date: 15/9-2016

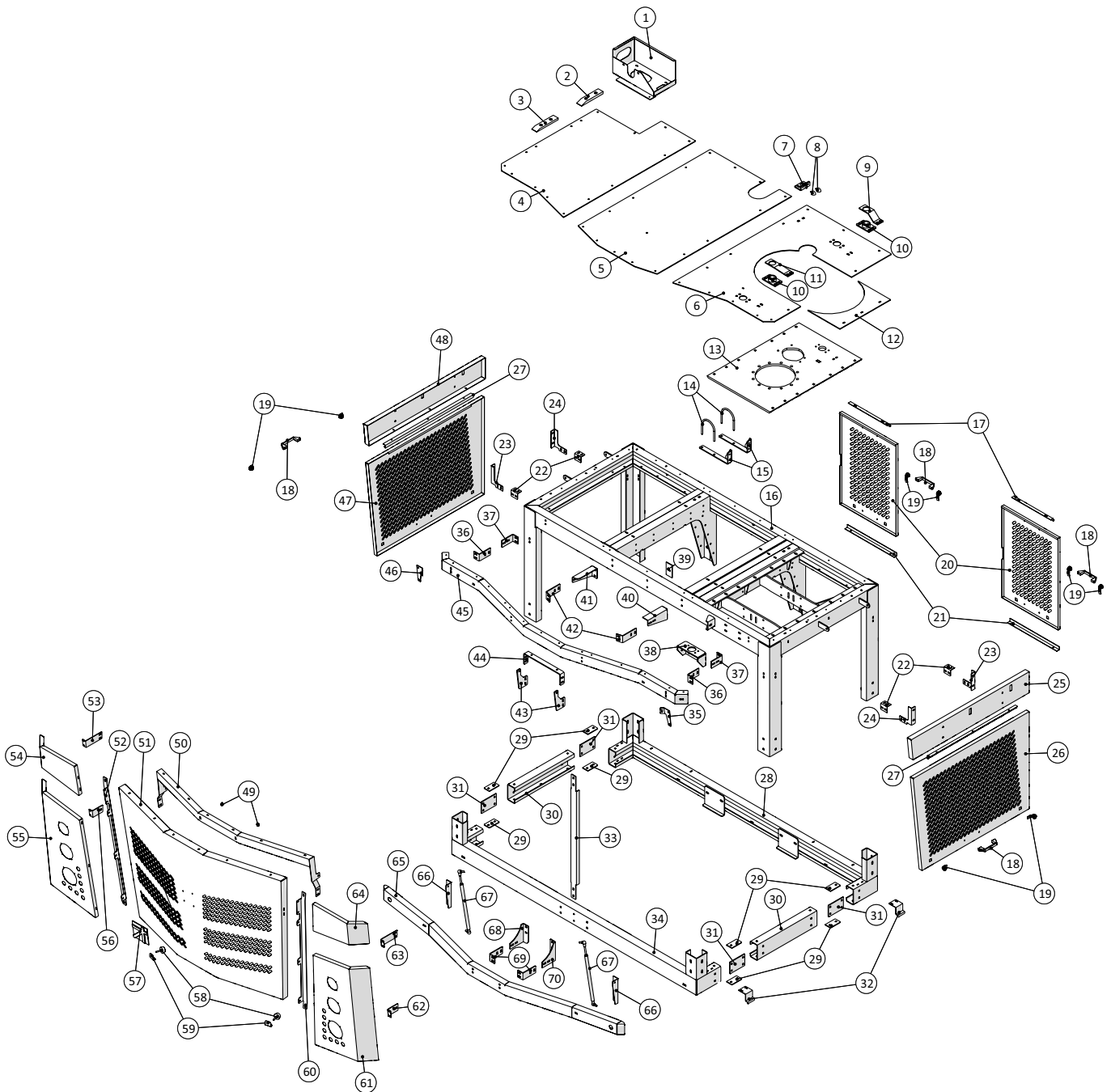
5

Brake pedal

Pos. no.	Item no.	Pcs.	Description	Note
1	251476804860	1	Bracket for brake valve	
2	251476804863	1	Spacer for brake valve	
3	2514854020	1	MICO brake valve	
4	251476804862	1	Bracket for brake pedal	
5	251476804857	2	Mounting plate for brake valve	
6	251476804858	1	Roller for brake pedal	
7	251476804859	1	Bracket for brake pedal	
8	251476804861	1	Spring bracket for brake pedal	
9	251476804864	1	Spacer for brake pedal	



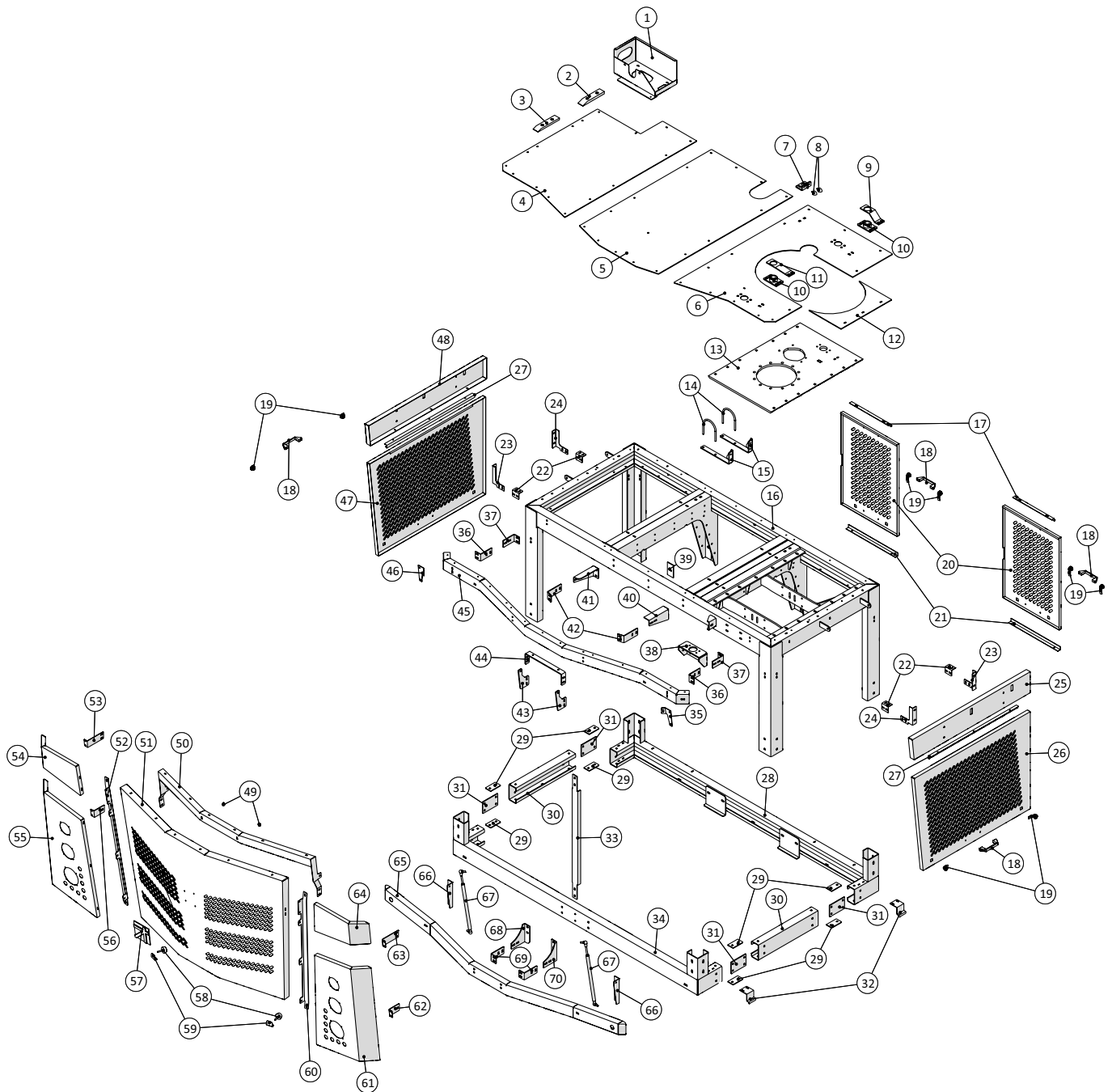
Engine console



Engine console

Pos. no.	Item no.	Pcs.	Description	Note
1	251476804281	1	Bracket for expansion tank	
2	251476640550	1	Rail for support roller	
3	251476640560	1	Rail for support roller	
4	251476804277	1	Outer top plate for engine console	
5	251476804276	1	Middle top plate for engine console	
6	251476806059	1	Top plate for engine console	
7	251476806148	1	Stop with damper	
8	25017412	2	Vibration damper KP-D 30/30 M8x20 pointed	
9	251476806130	1	Ramp plate for stop right	
10	251476806126	2	Bracket for cabin lock	
11	251476806129	1	Ramp plate for stop left	
12	251476804278	1	Small top plate for engine console, left	
13	251476804243	1	Mounting Plate for cabin bearing	
14	10381115	2	U-bolt Ø115x145 M10	
15	251476804295	2	Bracket for air intake	
16	251476804132	1	Upper motor bracket	
17	251476639050	2	Top cover rail for engine consol	
18	2514803066	4	Handle	
19	2514850241	8	T-Handle	
20	251476806114	2	Rear cover	
21	251476639060	2	Lower rear cover rail	
22	251476804269	4	Bracket for side cover	
23	251476804266	2	Bracket for side cover	
24	251476804265	2	Bracket for side cover	
25	251476804186	1	Upper left side cover	
26	251476804219	1	Side cover, left	
27	251476804271	2	Upper mounting rail	
28	251476804149	1	Engine frame rear	
29	251476804254	8	Mounting plate small	
30	251476804155	2	Side frame	
31	251476804255	4	Mounting plate large	
32	251476804270	2	Counterhold for lock	
33	251476804267	1	Front reinforcement for engine console	
34	251476804148	1	Engine frame front	
35	251476806052	1	Bracket for left corner cover	
36	251476804235	2	Bracket for top frame	
37	251476804236	2	Bracket for top frame	
38	251476804274	1	Console for cabine lock	
39	251476637430	1	Mounting plate for engine frame	

Engine console

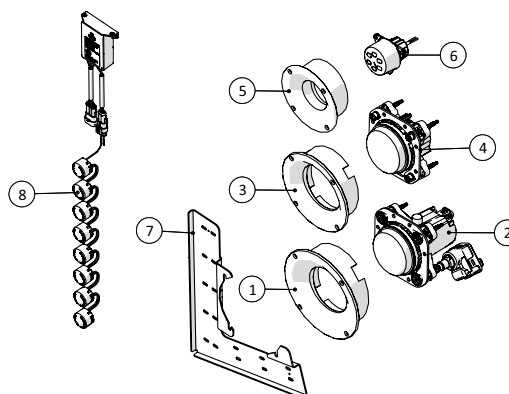
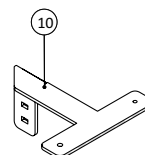
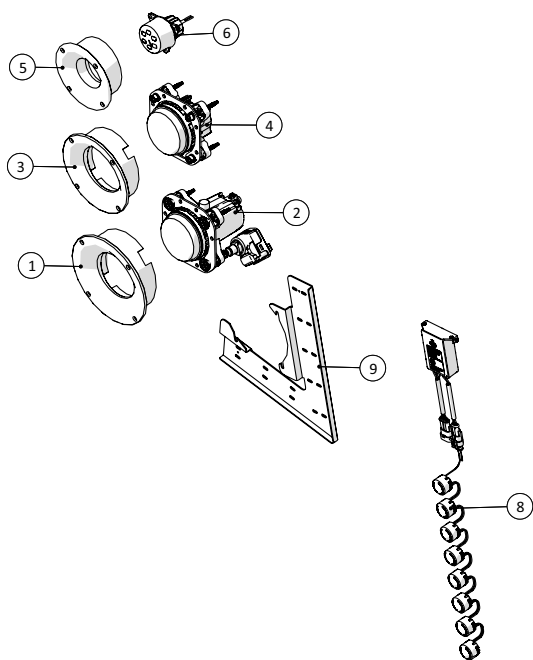
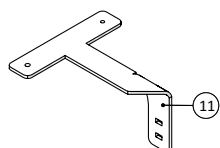


Engine console

Pos. no.	Item no.	Pcs.	Description	Note
40	251476804238	1	Bracket for top frame	
41	251476804237	1	Bracket for top frame	
42	251476804249	2	Bracket for top frame	
43	251476806062	2	Hinge	
44	251476806061	1	Bracket for hinge	
45	251476804197	1	Top frame	
46	251476806055	1	Bracket for right corner cover	
47	251476804221	1	Side cover, right	
48	251476804187	1	Upper right side cover	
49	25017411	2	Bushing 12x14x12mm	
50	251476806066	1	Reinforcement front cover	
51	251476804183	1	Front cover	
52	251476806054	1	Mounting bracket corner cover, right	
53	251476806123	1	Bracket corner cover, right	
54	251476804241	1	Corner cover, right	
55	251476804217	1	Corner cover for lights, right	
56	251476806056	1	Bracket corner cover, right	
57	251476806121	1	AGROMETER logo	
58	25017410	2	Vibration damper 45x46 M8	
59	251476806069	2	Adjustment bracket for front cover	
60	251476806051	1	Mounting bracket corner cover, left	
61	251476804218	1	Corner cover for lights, left	
62	251476806053	1	Bracket corner cover, left	
63	251476806122	1	Bracket corner cover, left	
64	251476804232	1	Corner cover, left	
65	251476804184	1	Bottom frame	
66	251476804288	2	Bracket for gas spring	
67	251476806101	2	Gas spring	
68	251476804251	1	Bracket for bottom frame	
69	251476804253	2	Bracket for bottom frame	
70	251476804252	1	Bracket for bottom frame	



Lights, engine console



≡ 1 ↓
≡ 2 ↓

A-Z

Self-propelled Slurry distributor SDS8000

Model year 2015 - 2018

Date: 15/9-2016

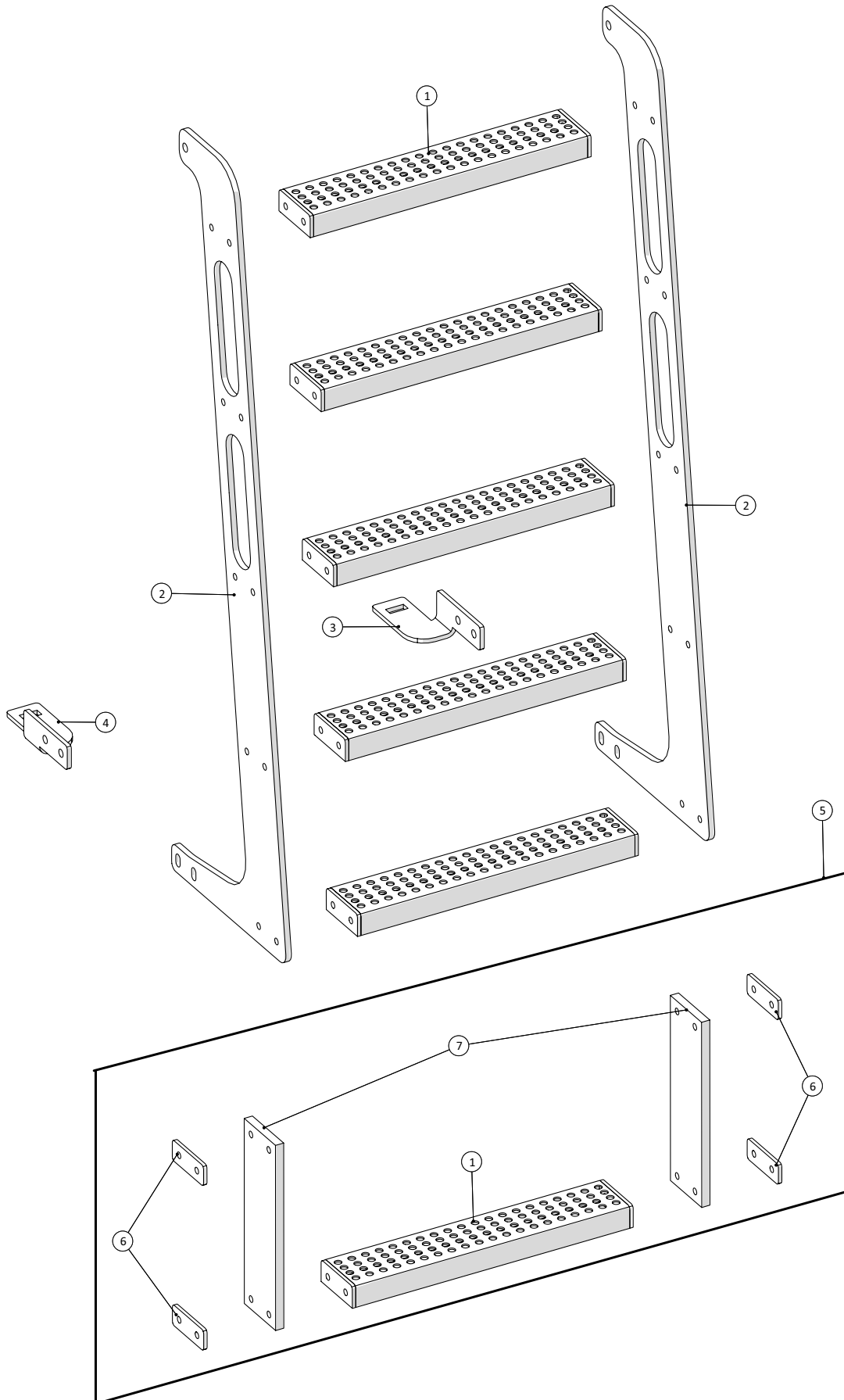
7

Lights, engine console

Pos. no.	Item no.	Pcs.	Description	Note
1	251476806111	2	Light bracket	
2	1229140093	2	Insert headlight, Low beam - LED	
	1229140094		Base headlight	
3	251476806112	2	Headlight bracket	
4	1229140095	2	Insert headlight, High beam - LED	
5	251476806113	2	Headlight bracket	
6	1229140096	2	Indicator, front transparent - LED	
7	251476806107	1	Bracket for daytime running lights right	
8	1229140097	2	Daytime running light set LEDayFlex, round	
9	251476806108	1	Bracket for daytime running lights left	
10	251476806194	1	Bracket for lights, dribble bar lighting L	
11	251476806195	1	Bracket for lights, dribble bar lighting R	



Ladder for cabin



≡ 1 ↓
≡ 2 ↓

A-Z

Self-propelled Slurry distributor SDS8000
Model year 2015 - 2018

Date: 15/9-2016

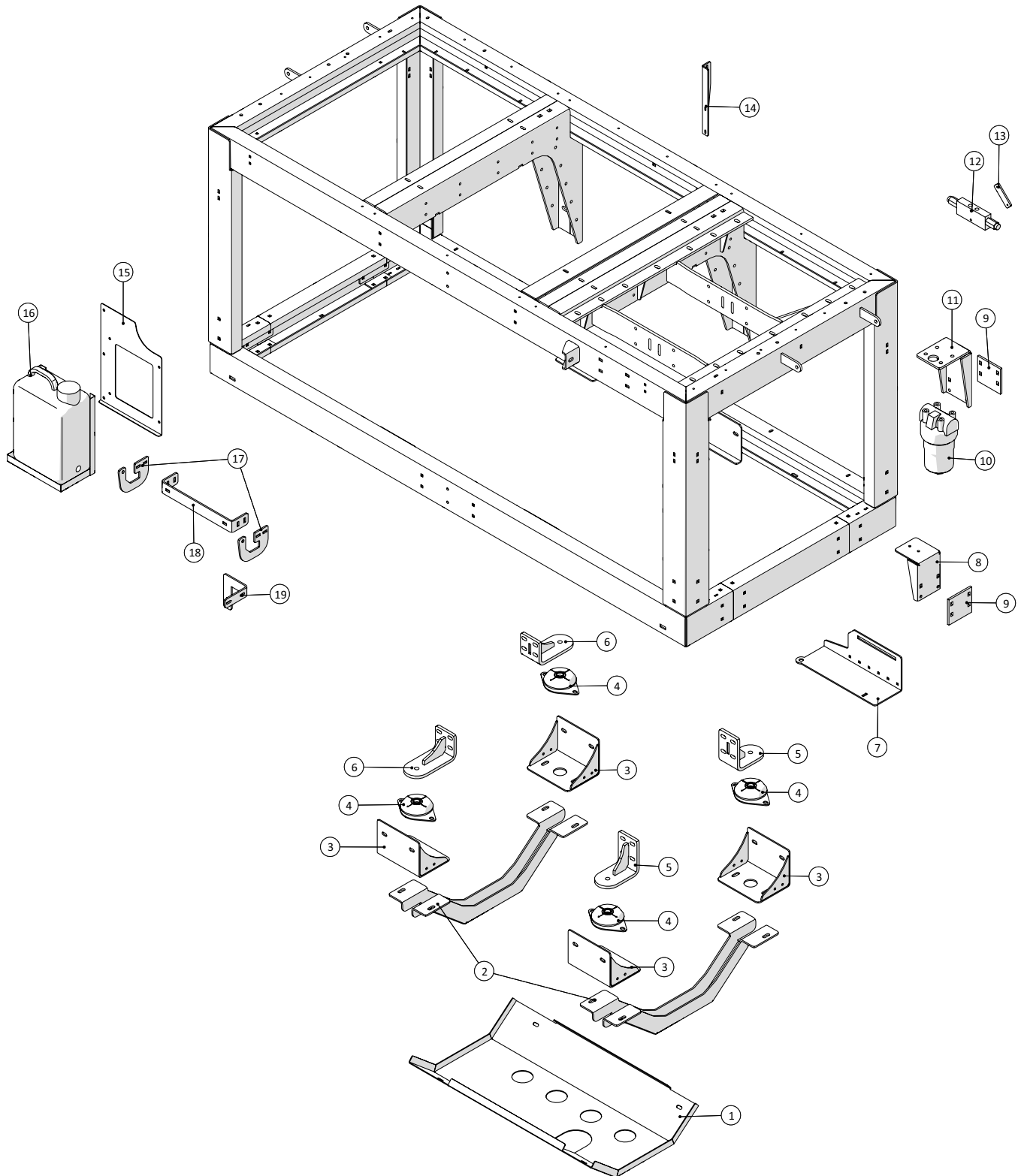
8

Ladder for cabin

Pos. no.	Item no.	Pcs.	Description	Note
	251476804225	1	Ladder	
1	251476802165	6	Plate for extra step	
2	251476804224	2	Side for ladder	
3	251476806079	1	Mounting brace for ladder	
4	251476806078	1	Mounting brace for ladder	
5	251476802166	1	Plate for extra step	
6	251476802164	4	Mounting plate for extra steps	
7	251476802163	2	Side for extra step	



Engine parts

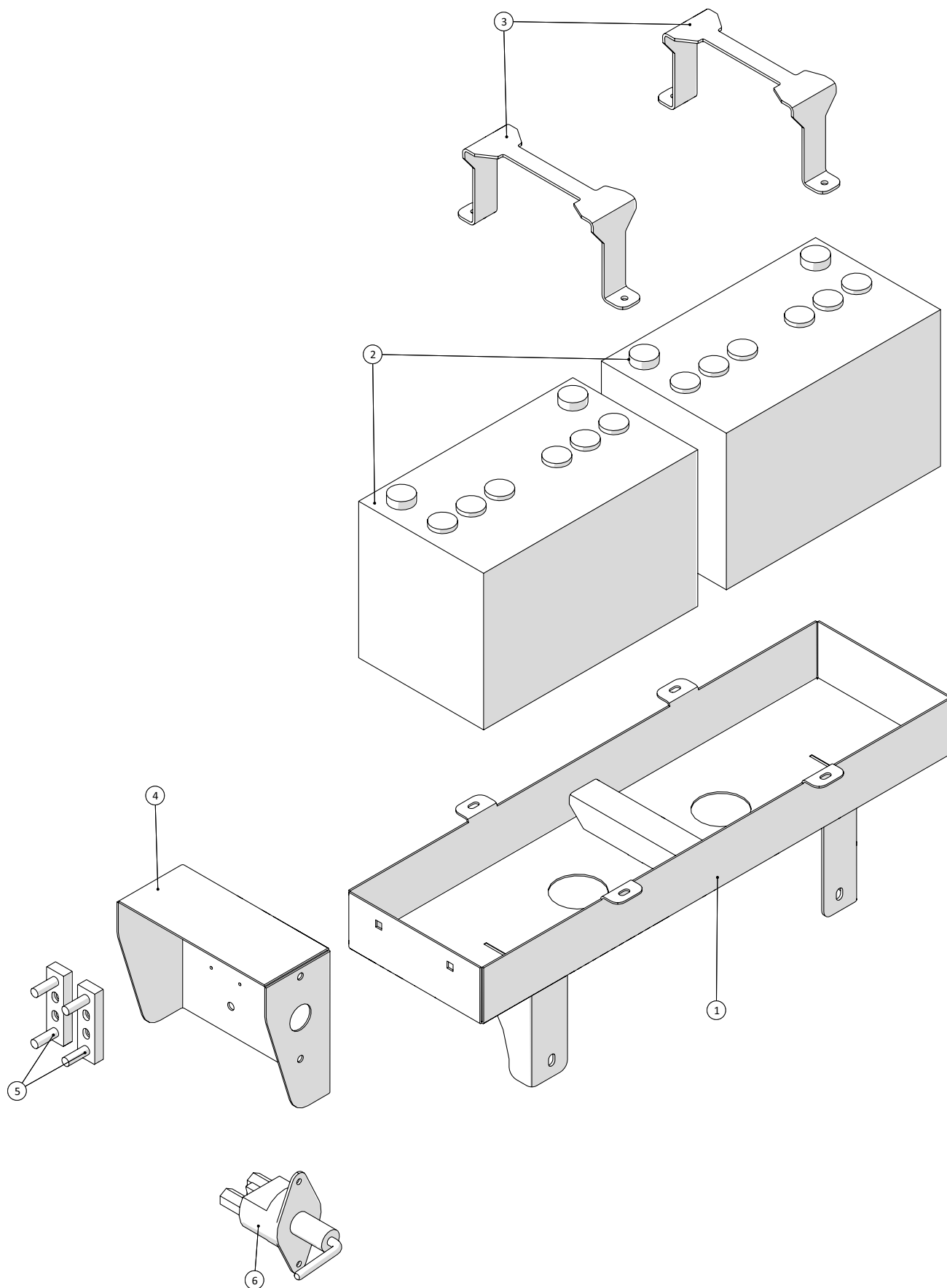


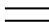

Engine parts

Pos. no.	Item no.	Pcs.	Description	Note
1	251476806085	1	Base cover	
2	251476806084	2	Mounting bracket for base cover	
3	251476804207	4	Engine suspension	
4	2514850199	4	Vibration absorber	
5	251476804164	2	Engine suspension rear	
6	251476804161	2	Engine suspension	
7	251476803843	1	Top bracket for control box	
8	251476806206	1	Bracket for pressure filter	
9	251476806046	2	Mounting plate	
10	2514702310	1	Filter PI3615-11+PI3115 SMX10	
11	251476639680	1	Consol for hydraulic oil pressure filters	
12	2514702393	1	Safety valve 3/8" double	
13	251476801344	1	Bracket	
14	251476806138	1	Bracket for cable tray	
15	251476805654	1	Mounting bracket for Clean Water Tank	
16	2514854410	1	WÜRTH Clean Water Tank w/ bracket 16L	
17	251476806296	2	Hinge	
18	251476806297	1	Bracket for hinge	
19	250181222	1	Bracket for pipe for turbo charger	



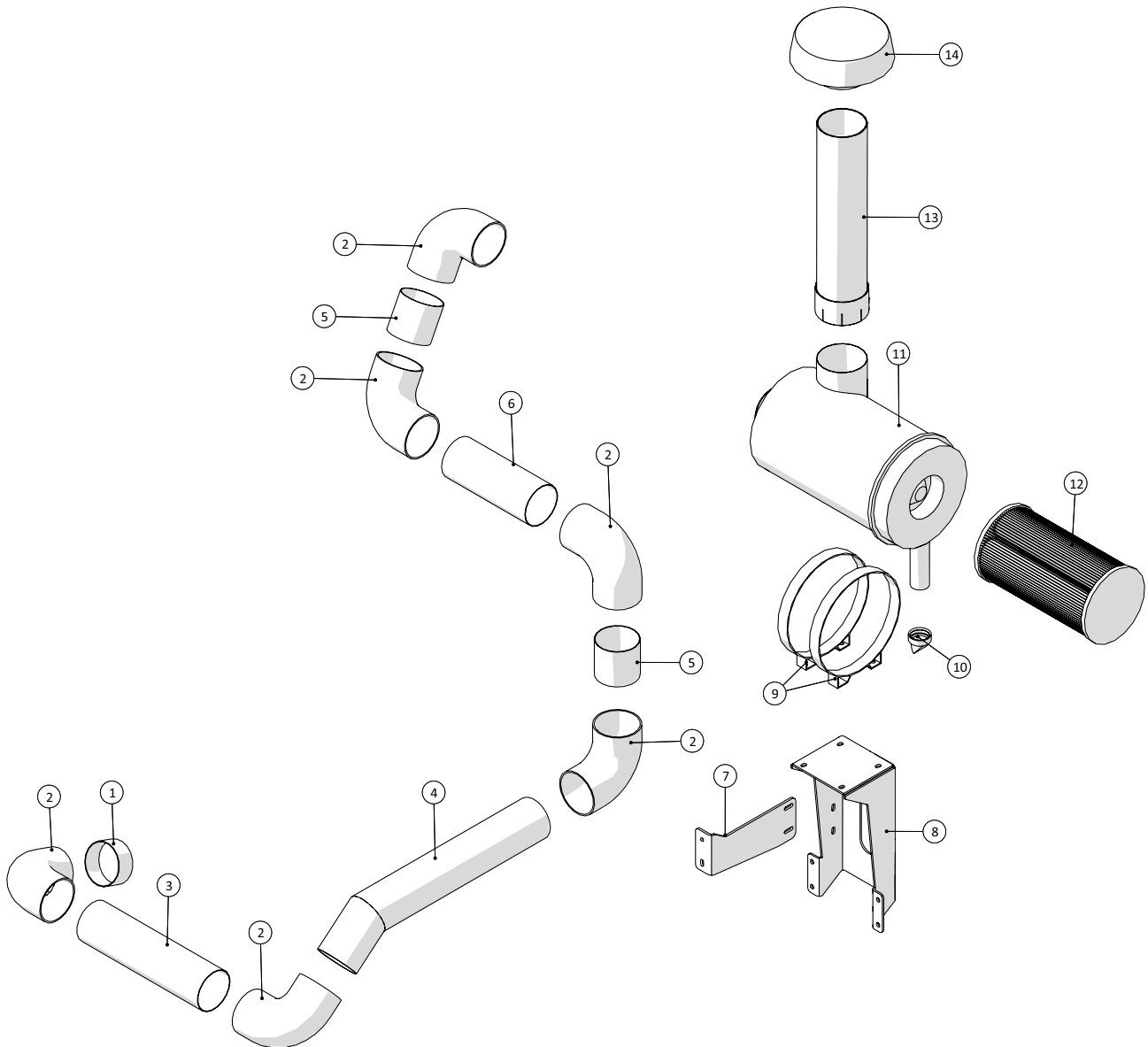
Battery box



 1 ↓  2 ↓	A-Z	Self-propelled Slurry distributor SDS8000 Model year 2015 - 2018	Date: 15/9-2016
			10

Battery box				
Pos. no.	Item no.	Pcs.	Description	Note
1	251476806072	1	Battery box	
2	2514850297	2	Battery 12V-95A	
3	251476806077	2	Brace for battery	
4	251476806080	1	Box for main switch/fuse	
5	1229500006	2	Fuse Holder	
6	2514862521	1	Main switch	

Air intake

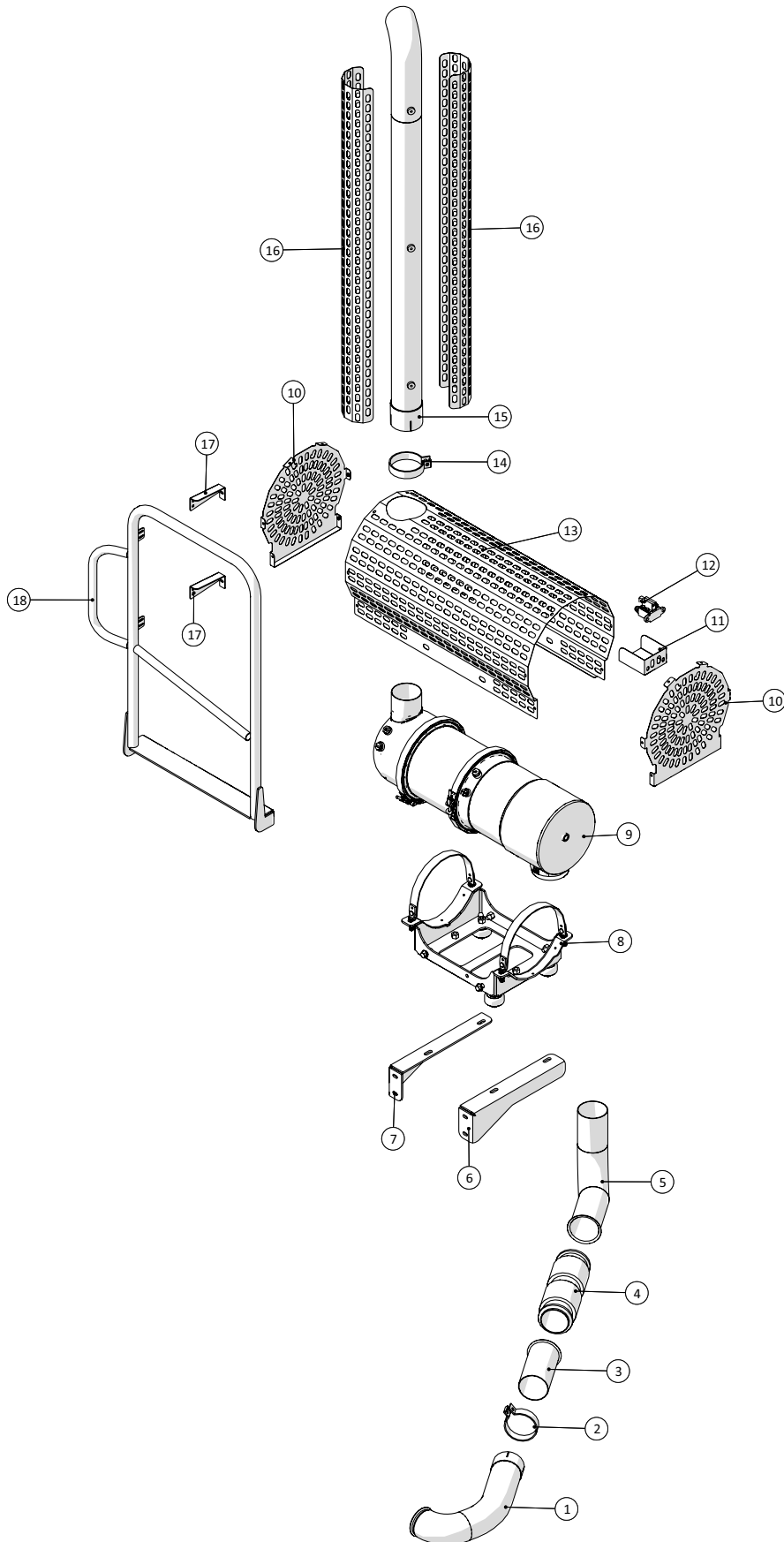


Air intake

Pos. no.	Item no.	Pcs.	Description	Note
1	251476804297	1	Pipe for inlet	
2	250180394	6	Rubber elbow 90° 4½"	
3	251476804284	1	Pipe for inlet	
4	251476804275	1	Inlet pipe	
5	251476804283	2	Pipe for inlet	
6	251476804294	1	Pipe for inlet	
7	251476806115	1	Bracket for cabin stop	
8	251476804296	1	Bracket for air filter	
9		2	Brackets for air filter 225HP Tier 3	
10	2514853840	1	Vacuator valve	
11		1	Air filter for 225HP Tier 3	
12	2501G110382	1	Air Filter	
13	251476806173	1	Pipe for inlet	
14		1	Rain cap	



Exhaust

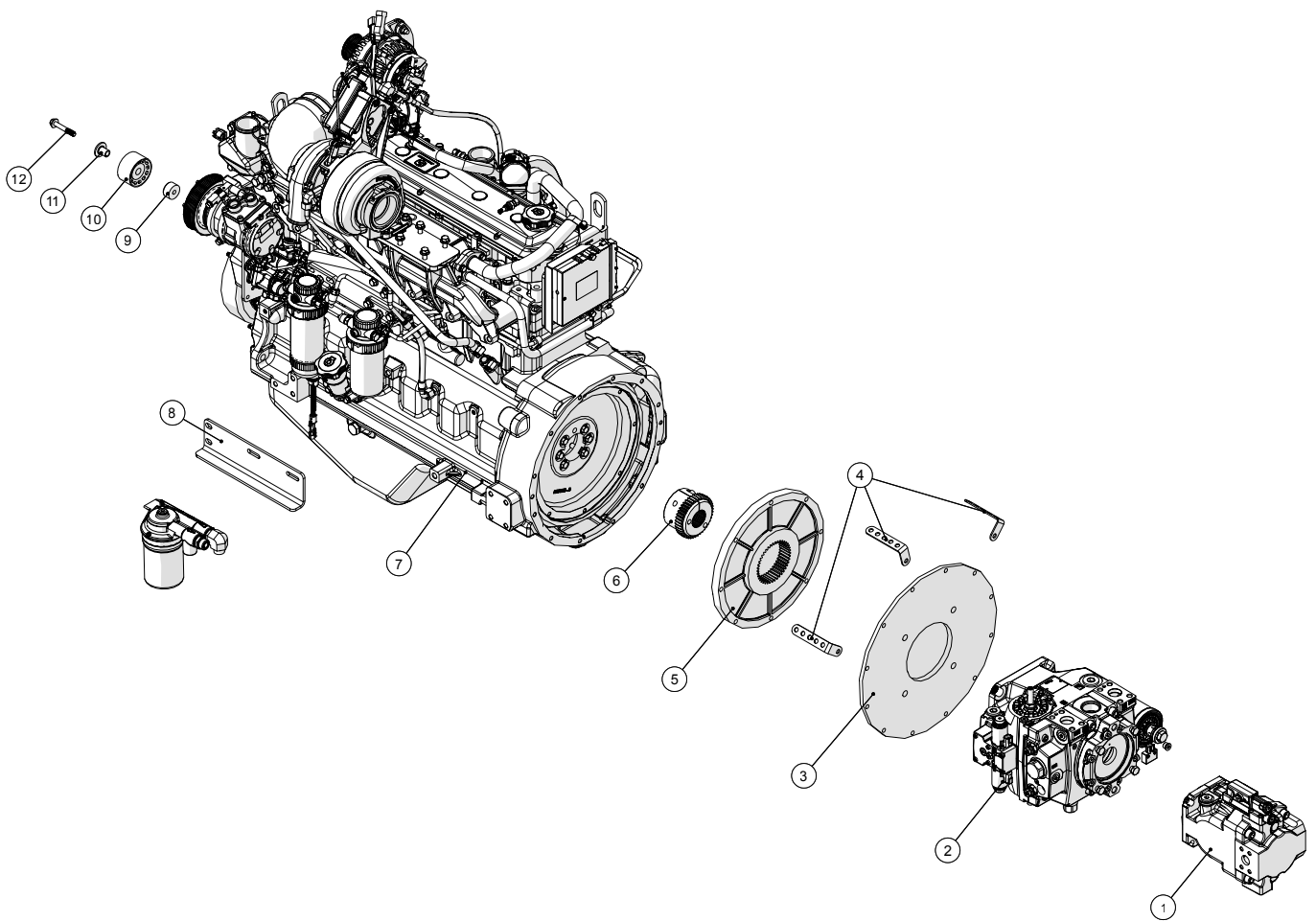


Exhaust

Pos. no.	Item no.	Pcs.	Description	Note
1	251476804216	1	Exhaust from turbo	
2	25132535	1	Exhaust clamps	
3	251476804259	1	Flange for exhaust	
4		1	Flexible Exhaust	
5	251476804213	1	Exhaust for exhaust filter	
6	251476804258	1	Brackets for exhaust filter	
7	251476804257	1	Brackets for exhaust filter	
8		1	Brackets for exhaust filter	
9		1	Exhaust Filter	
10	251476806132	2	End plate for exhaust filter	
11	251476806091	1	Protection for valve	
12		1	Sensor for Particulate Filter	
13	251476806089	1	Protection for exhaust filter	
14	25017396	1	Exhaust clamps	
15	251476804285	1	Outlet for SDI 8000	
16	251476806048	2	Cover for exhaust	
17	251476806144	2	Exhaust bracket	
18	251476806140	1	Railing for exhaust	



Engine - Tier 3A

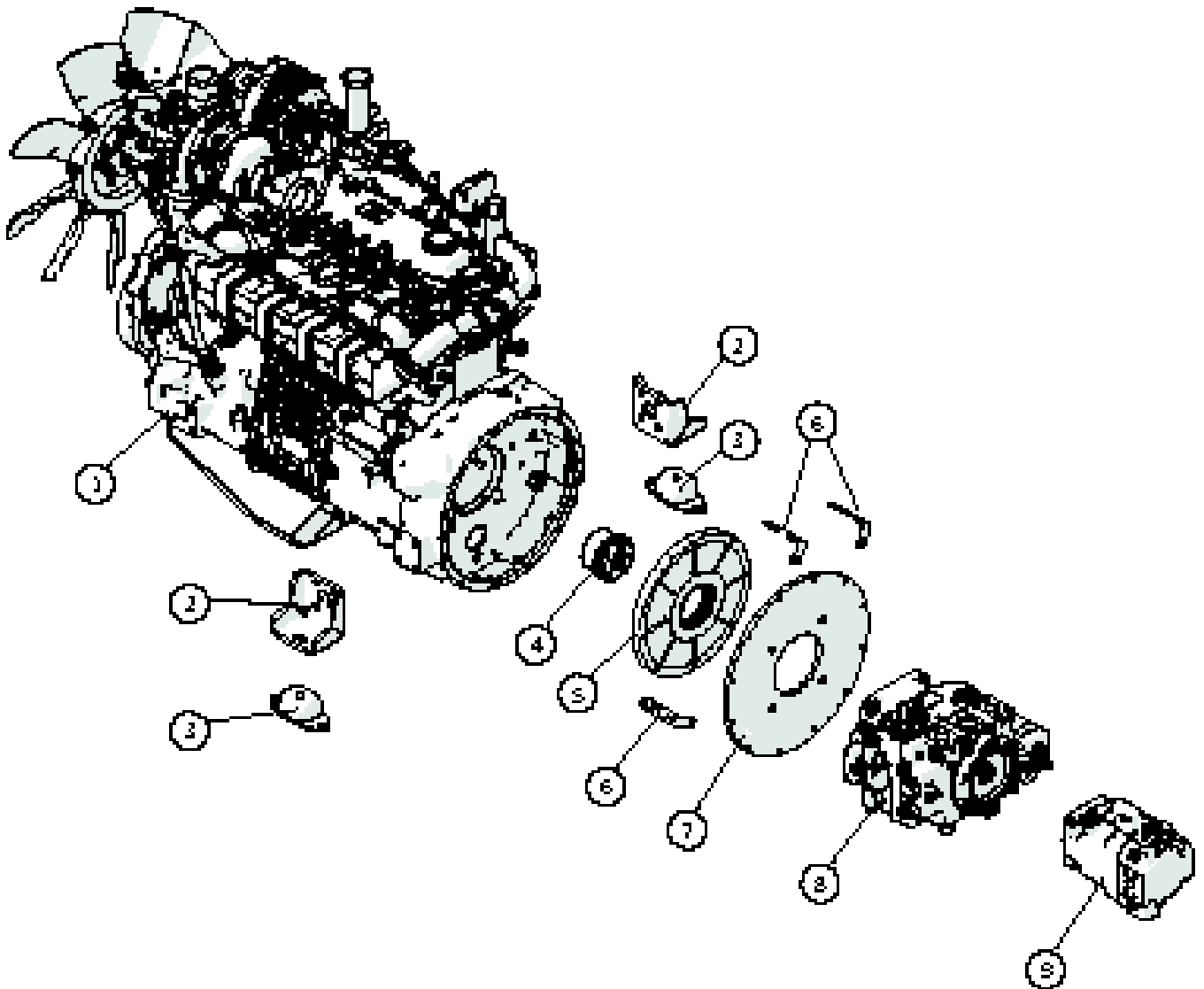


Engine - Tier 3A

Pos. no.	Item no.	Pcs.	Description	Note
1	2514853638	1	Pump LS 90 cm	
2	2514853630	1	Propulsion pump	
3	2514853613	1	Iron Flange SAE 3 C 4 FORI	
4	251476801077	3	Cable holder engine room	
5	2514853615	1	Nylon flange SAE TFL80- Z46 Ø11 ½"	Service life: 10,000 hours
6	2514853614	1	Coupling hub B80-Z46/Z27 16/32DB L=57mm	Service life: 10,000 hours
7	2514850380	1	John Deere Engine 168kW Tier3A 2400rpm	
8	251476803484	1	Bracket for external oil filter	
9	2514850565	1	Distance bush for tension pulley	
10	2514850566	1	Tension pulley	
11	2514850567	1	Bush for tension pulley	
12	2514850568	1	Bolt for tension pulley	



Engine - Tier 3B



≡ 1 ↓
≡ 2 ↓

A-Z

Self-propelled Slurry distributor SDS8000
Model year 2015 - 2018

Date: 15/9-2016

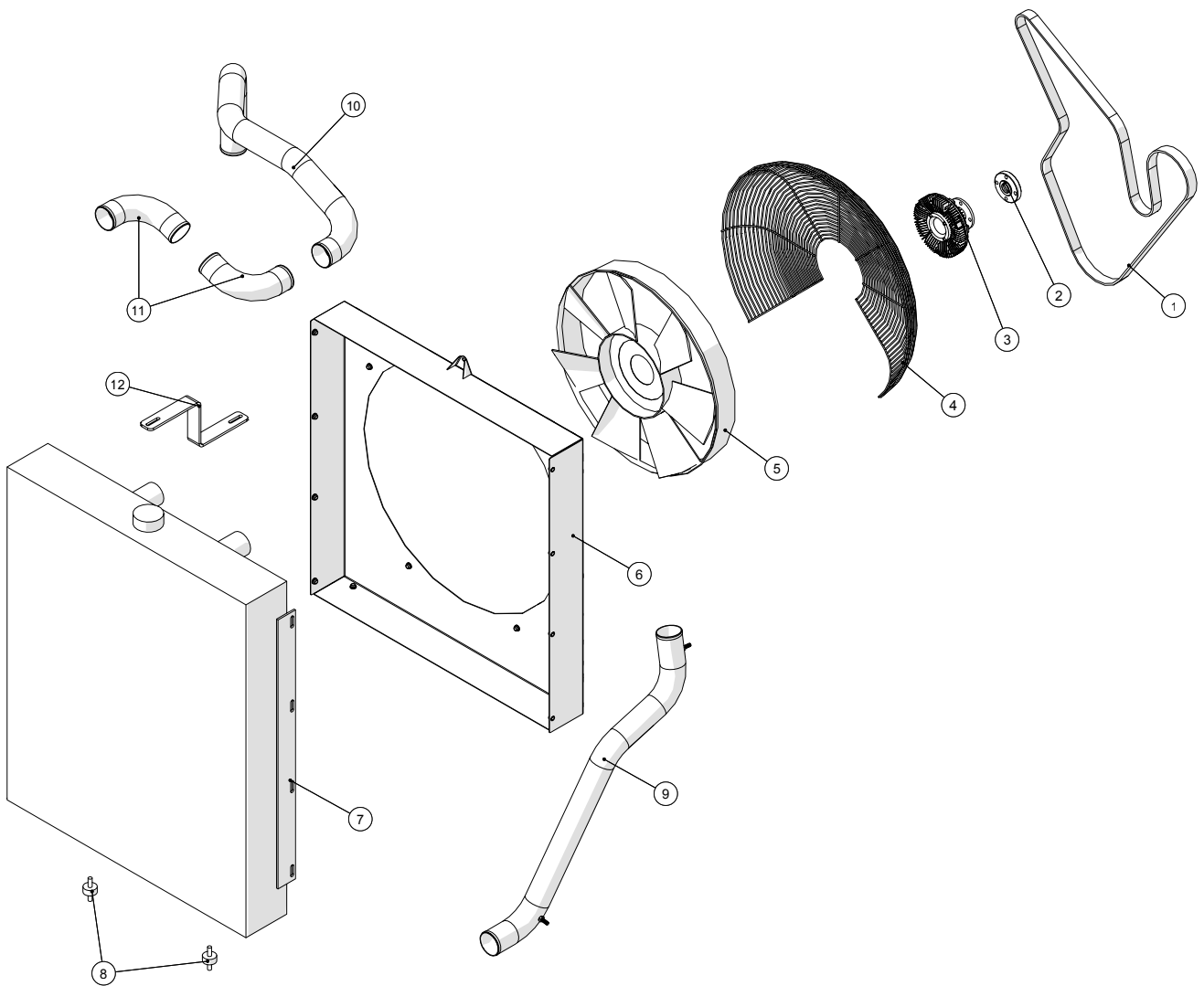
14

Engine - Tier 3B

Pos. no.	Item no.	Pcs.	Description	Note
1	6068HFC94	1	Diesel engine	
2	250180044	2	Engine suspension	
3	25017055	2	Engine suspension, absorber	
4	2514853614	1	Coupling hub B80-Z46/Z27 16/32DB L=57mm	Service life: 10,000 hours
5	2514853615	1	Nylon flange SAE TFL80- Z46 Ø11 ½"	Service life: 10,000 hours
6	251476801077	3	Cable holder engine room	
7	2514853613	1	Iron Flange SAE 3 C 4 FORI	
8	2514853630	1	Propulsion pump	
9	2514853638	1	Pump	



Radiator - Tier 3A



≡ 1 ↓
≡ 2 ↓

A-Z

Self-propelled Slurry distributor SDS8000
Model year 2015 - 2018

Date: 15/9-2016

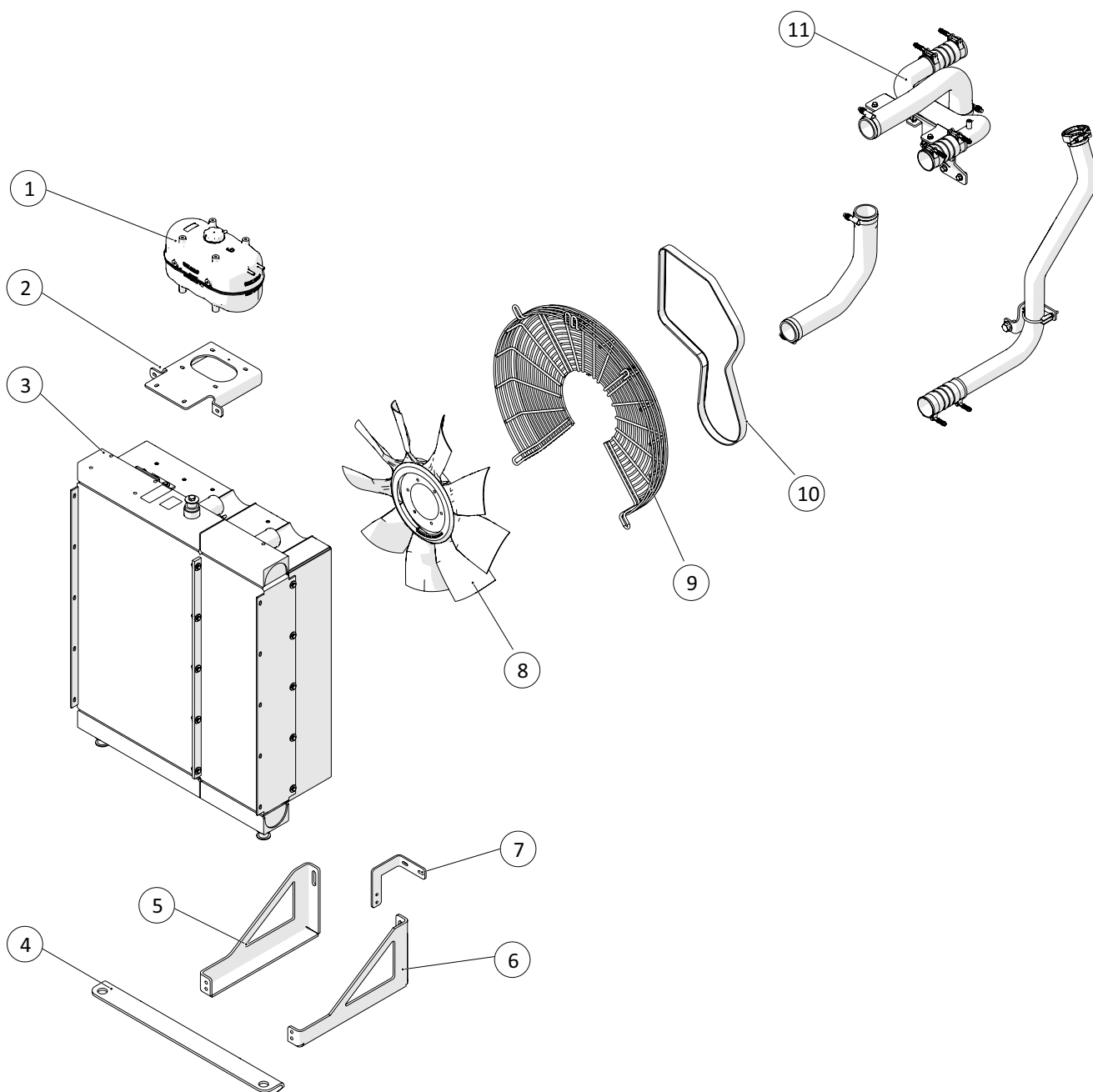
15

Radiator - Tier 3A

Pos. no.	Item no.	Pcs.	Description	Note
1	25017294	1	Fan belt	
2	251476804457	1	Spacer for visco coupling on radiator	
3	2514850351	1	Visco coupling	
4	2501RE57059	1	Wire shielding	
5	2501L79028	1	Fan	
6	251476803467	1	Radiator box with visco coupling	
7		1		
8		2		
9	251476803433	1	Intercooler pipe inlet	
10	251476803431	1	Intercooler pipe 1 outlet	
11	251476803432	2	Intercooler pipe 2 outlet	
12	251476803434	1	Top fastening	



Radiator - Tier 3B



≡ 1 ↓
≡ 2 ↓

A-Z

Self-propelled Slurry distributor SDS8000
Model year 2015 - 2018

Date: 15/9-2016

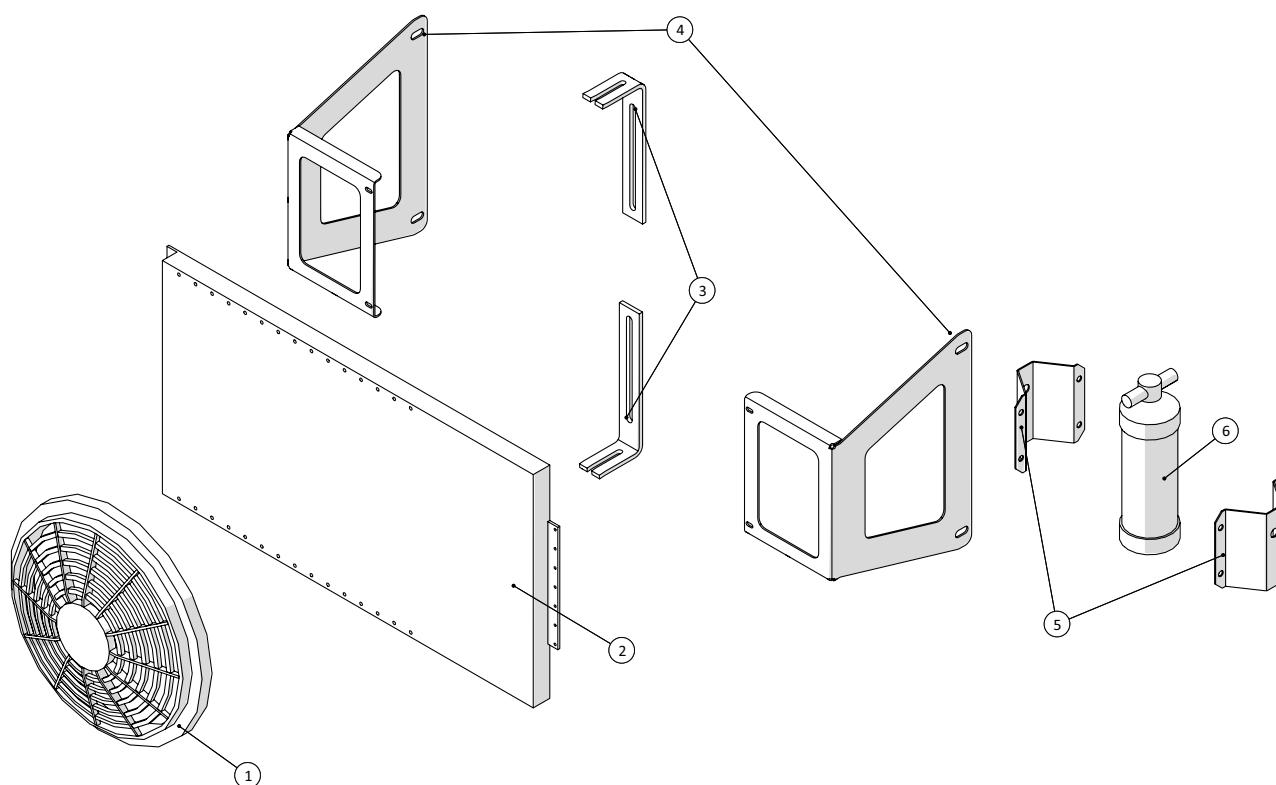
16

Radiator - Tier 3B

Pos. no.	Item no.	Pcs.	Description	Note
1	2501AT381935	1	Expansion tank	
2	2501R533830	1	Bracket for expansion tank	
3	2501RE542759	1	Radiator elements	
4	251476804159	1	Angle bracket radiator	
5	251476804158	1	Suspension	
6	251476804160	1	Suspension	
7	250181222	1	Bracket for pipe for the turbo	
8	2501RE544252	1	Fan	
9	2501RE542723	1	Wire shielding	
10	25017294	1	Fan belt	
11	2501RE544024	1	Tube/bracket	



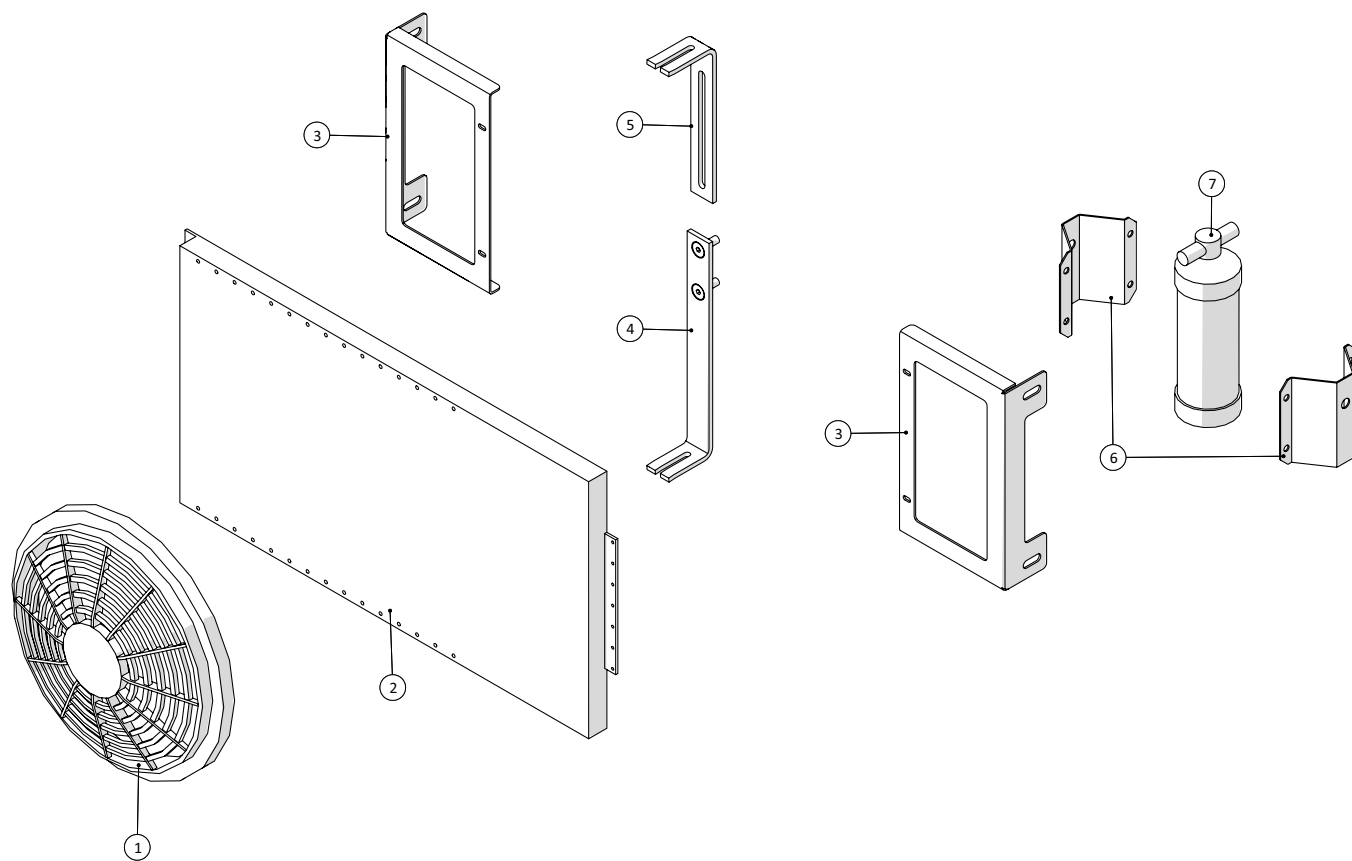
Air conditioning - Tier 3A



 1 ↓  2 ↓	A-Z	Self-propelled Slurry distributor SDS8000 Model year 2015 - 2018	Date: 15/9-2016
			17

Air conditioning - Tier 3A				
Pos. no.	Item no.	Pcs.	Description	Note
1	2514850548	1	Fan for air conditioning	
2	2514850547	1	Condenser	
3	251476704890	2	Part for mounting of fan	
4	251476803436	2	Bracket for Air conditioning	
5	251476643340	2	Bracket for air conditioning filter	
6	251416280030	1	Air conditioning filter	

Air conditioning - Tier 3B



≡ 1 ↓
≡ 2 ↓

A-Z

Self-propelled Slurry distributor SDS8000
Model year 2015 - 2018

Date: 15/9-2016

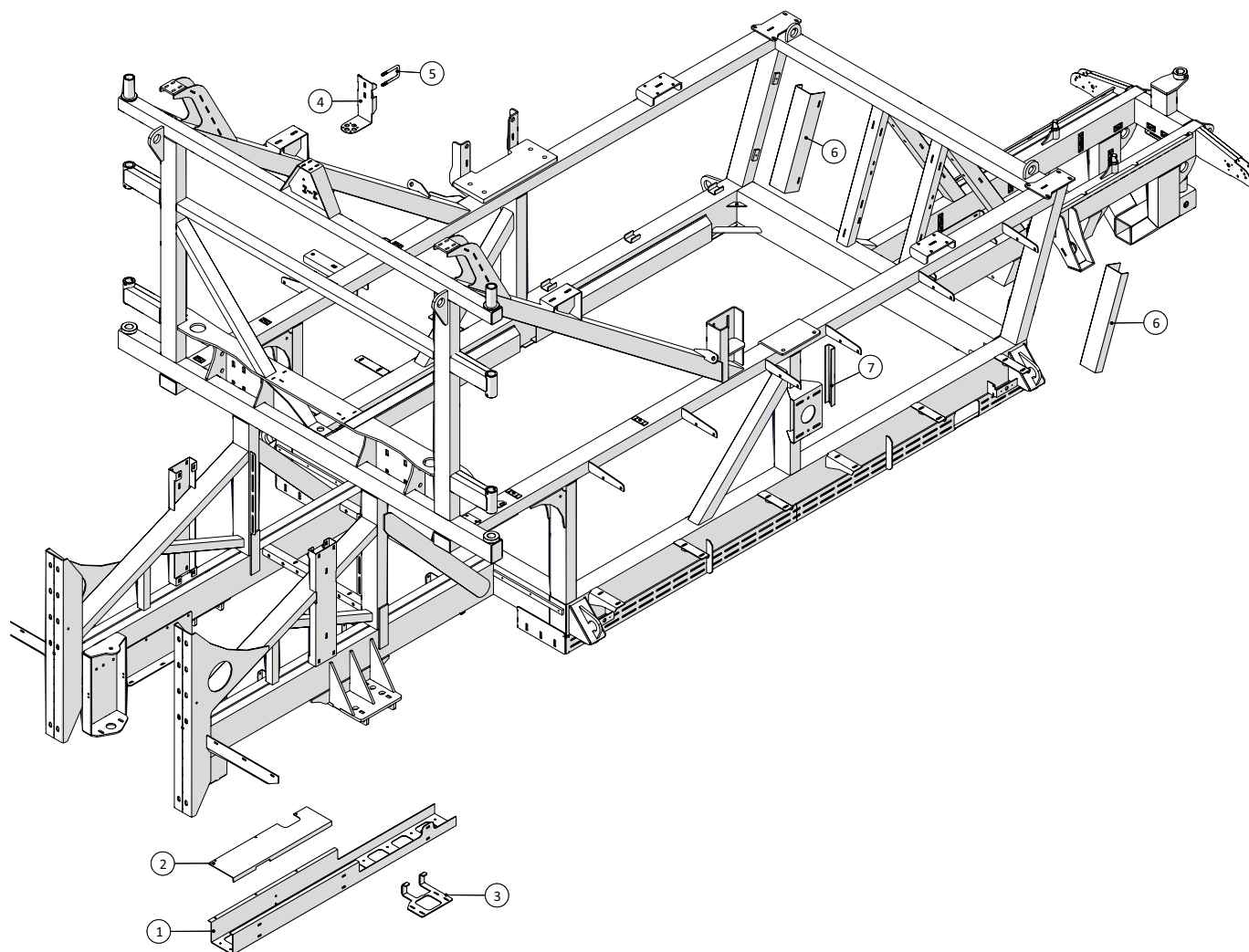
18

Air conditioning - Tier 3B

Pos. no.	Item no.	Pcs.	Description	Note
1	2514850548	1	Fan for air conditioning	
2	2514850547	1	Condenser	
3	251476806086	2	Bracket for air conditioner	
4	251476801264	1	Bracket for fan	
5	251476704890	1	Part for mounting of fan	
6	251476643340	2	Bracket for air conditioning filter	
7	251416280030	1	Air conditioning filter	



Electrical parts



≡ 1 ↓
≡ 2 ↓

A-Z

Self-propelled Slurry distributor SDS8000
Model year 2015 - 2018

Date: 15/9-2016

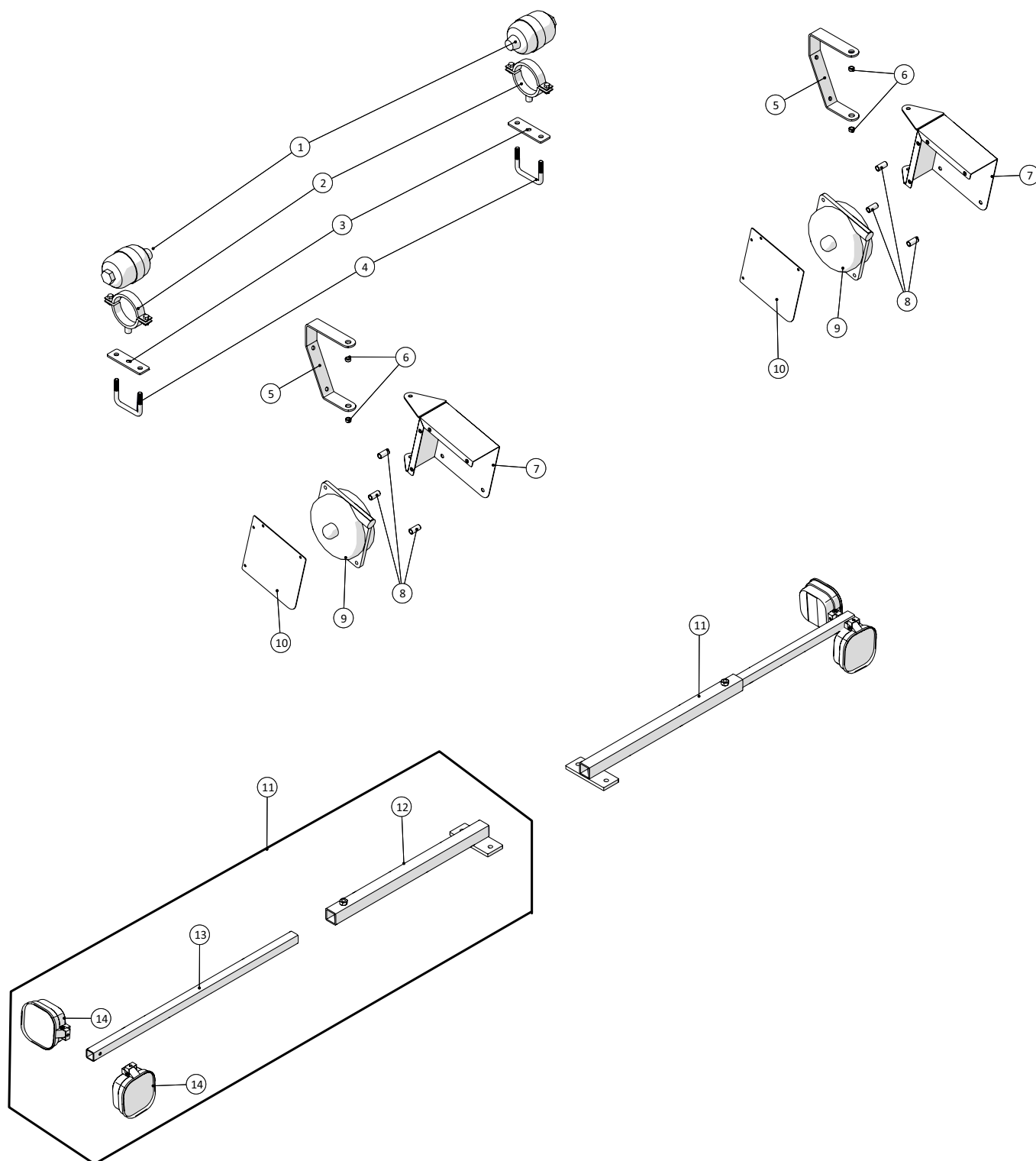
19

Electrical parts

Pos. no.	Item no.	Pcs.	Description	Note
1	251476801370	1	Cable tray	
2	251476801136	1	Top panel for cable tray	
3	251476803449	1	Brackets for manifold	
4	251476804663	1	Bracket for Siemens Signal Converter	
5	251476691270	1	U-bolt	
6	251476803498	2	Kabel tray	
7	251476801360	1	Small kabel tray	



Parts for dribble bar

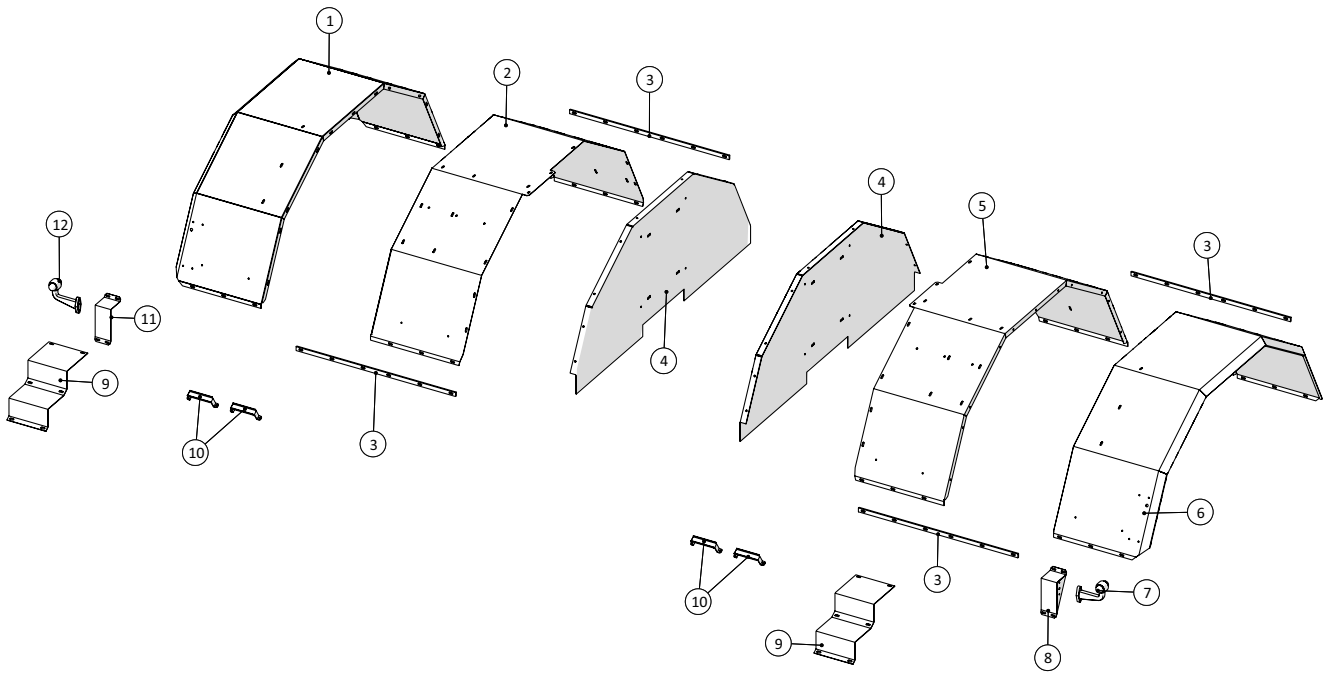


Parts for dribble bar

Pos. no.	Item no.	Pcs.	Description	Note
1	2514851355	2	Accumulator 0,35l 100bar	
2	103804943	2	Pipe clamp w/M10 84-92mm galv.	
3	251476801086	2	Plate for gas accumulator	
4	251476700940	2	U-bolt for 50x80 profile	
5	251476803450	2	Bracket for wire balancer	
6	251476803458	4	Bushing for wire balancer	
7	251476803454	2	Housing for wire balancer	
8	251476803457	6	Distance bushing for wire balancer	
9	2514853770	2	Balancer 6-8kg 2.5m wire	
10	251476803453	2	Plate for wire balancer	
11	251476805229	2	Work lights complete	
12	251476805230	1	Mounting bracket for work lights - inner part	
13	251476805233	1	Mounting bracket for work lights - outer part	
14	2514861063	2	LED work lamp FLOOD 12-36V	



Mudguard



≡ 1 ↓
≡ 2 ↓

A-Z

Self-propelled Slurry distributor SDS8000

Model year 2015 - 2018

Date: 15/9-2016

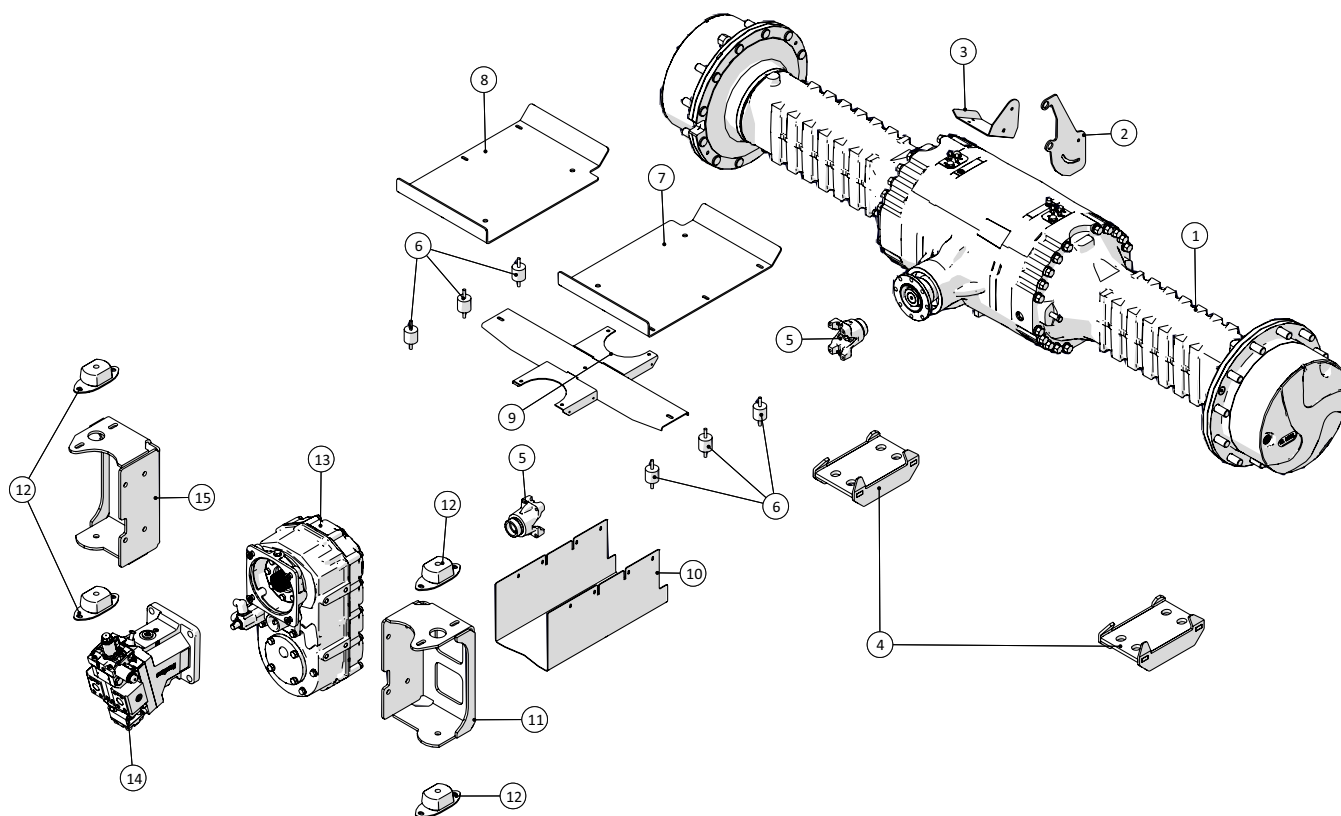
21

Mudguard

Pos. no.	Item no.	Pcs.	Description	Note
1	251476802609	1	Right front mudguard - outer	
2	251476802589	1	Right front mudguard - inner	
3	251476634040	4	Rail front	
4	251476802608	2	Inner mudguard	
5	251476802610	1	Left front mudguard - inner	
6	251476802611	1	Left front mudguard - outer	
7	1229140076	1	End outline marker LED 24V L	
8	251476637512	1	Console for end outline marker L	
9	251476331000	2	Plate for steps for platform	
10	251476803428	4	Bracket for 2 hoses	
11	251476637511	1	Console for end outline marker R	
12	1229140077	1	End outline marker LED 24V R	



Drive axle 114 with cardan shaft

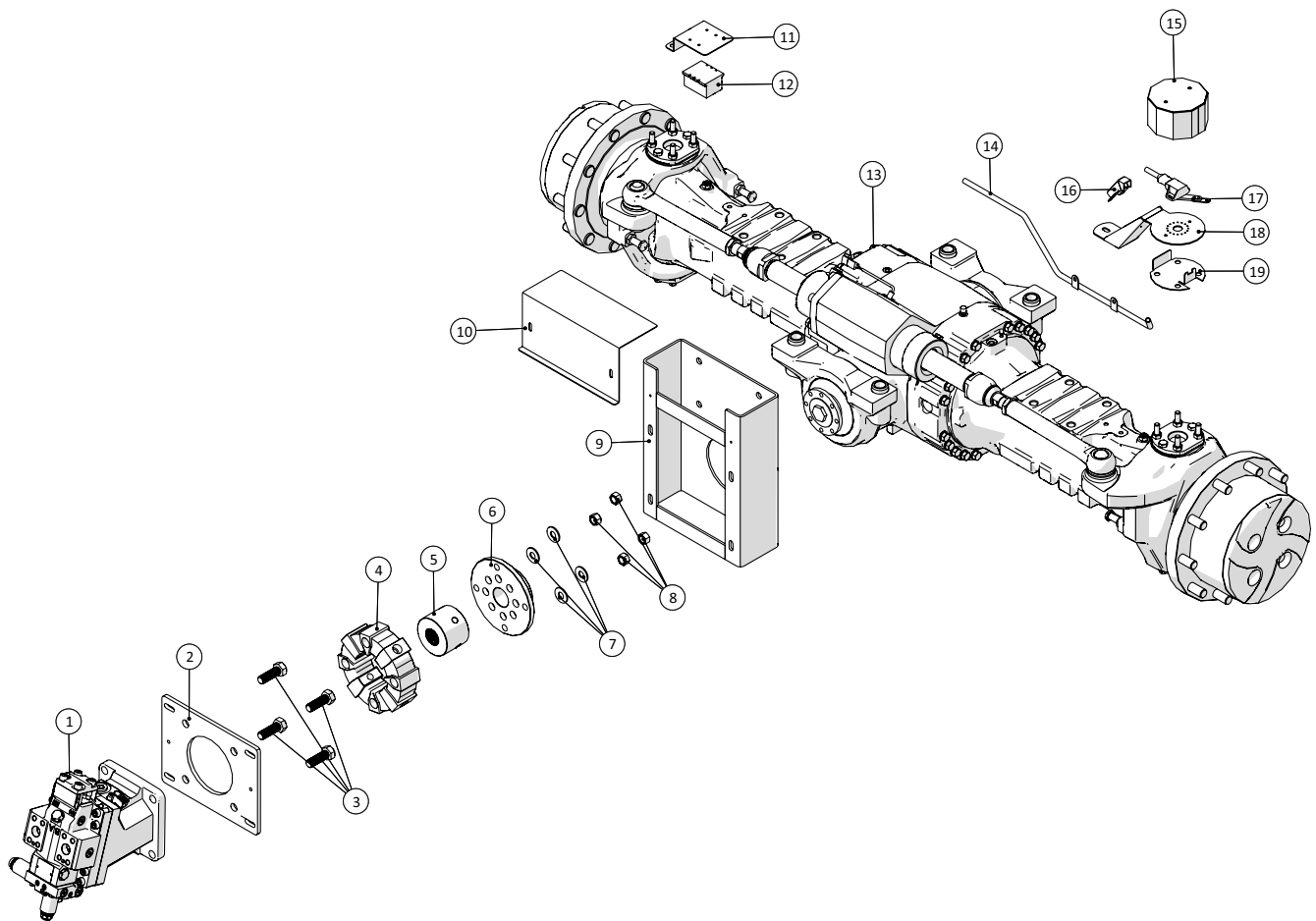


Drive axle 114 with cardan shaft

Pos. no.	Item no.	Pcs.	Description	Note
1	2514853501	1	Dana Spicer 114 drive shaft	
2	251476805597	1	Bracket for radar	
3	251476804386	1	Bracket for radar	
4	251476804429	2	Clamp bracket for drive shaft	
5		2	Yoke	
6	25017403	6	Vibration damper A40x40 M8	
7	251476805628	1	Cover plate over drive axle	
8	251476805583	1	Cover plate over drive axle	
9	251476805590	1	Frame for cover plates	
10	251476805587	1	Guard for cardan shaft	
11	251476805570	1	Gearbox suspension, left	
12	25017055	4	Vibration damper SIM200B-60SHORE	
13	2514853502	1	Dana Spicer gearbox 360/166	
14	136383028936	1	H1B 110 for drive shaft	
15	251476805580	1	Gearbox suspension, right	



Steering axel

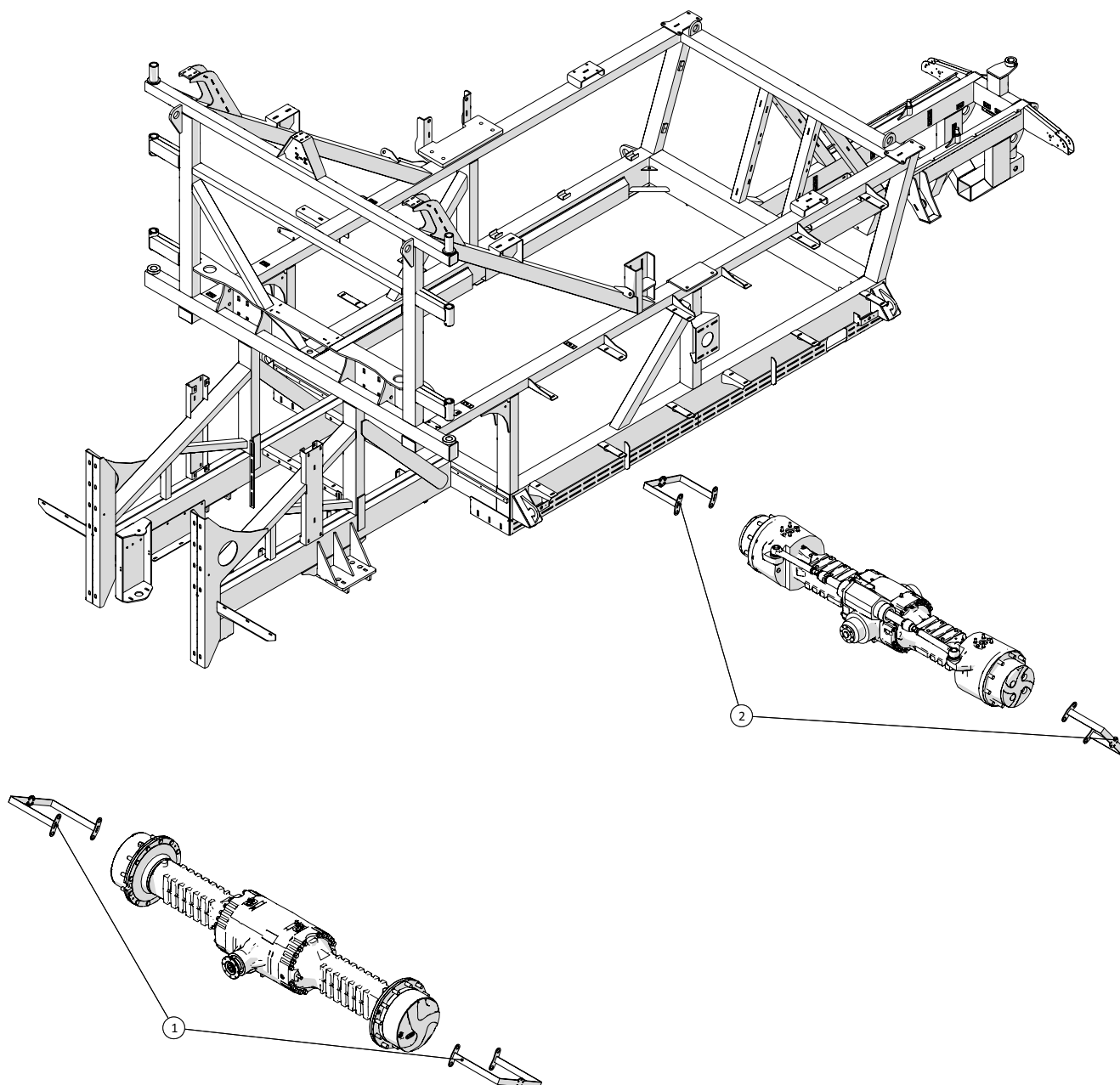


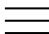
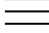
Steering axle

Pos. no.	Item no.	Pcs.	Description	Note
1	2514853620	1	Hydraulic motor 110 25cc	
2	251476803515	1	Mounting plate for oil motor for steering axle	
3		4	Bolt M20x60	
4	25017068	1	Coupling element CFA 80 shore 50	
5	251476803591	1	Coupling hub for steering axle	
6	251476804437	1	Mounting flange for coupling	
7		4	Washer M16 heavy	
8		4	Lock nut M16	
9	251476803513	1	coupling housing	
10	251476803516	1	Cover for coupling	
11	251476805077	1	Bracket for Trimble GPS sensor on the steering axle	
12		1		
13	2514853500	1	DANA steering axle Type113	
14	251476803479	1	Protective pipe for cable	
15	251476803755	1	Protective box for wheel sensor	
16	251476803486	1	Protection for cable	
17	1229120111	1	Angle Sensor Elobau 424A11A070B	
18	251476803745	1	Mounting bracket for potentiometer	
19	251476803744	1	Plate for sensor arm	



Tire inflation systems



 1  2 ↓	A-Z	Self-propelled Slurry distributor SDS8000 Model year 2015 - 2018	Date: 15/9-2016
			24

Tire inflation systems				
Pos. no.	Item no.	Pcs.	Description	Note
1	251476806181	2	Brace for tire inflation systems front wheel	
2	251476806184	2	Brace for tire inflation systems rear wheel	

Date: 15/9-2016

25

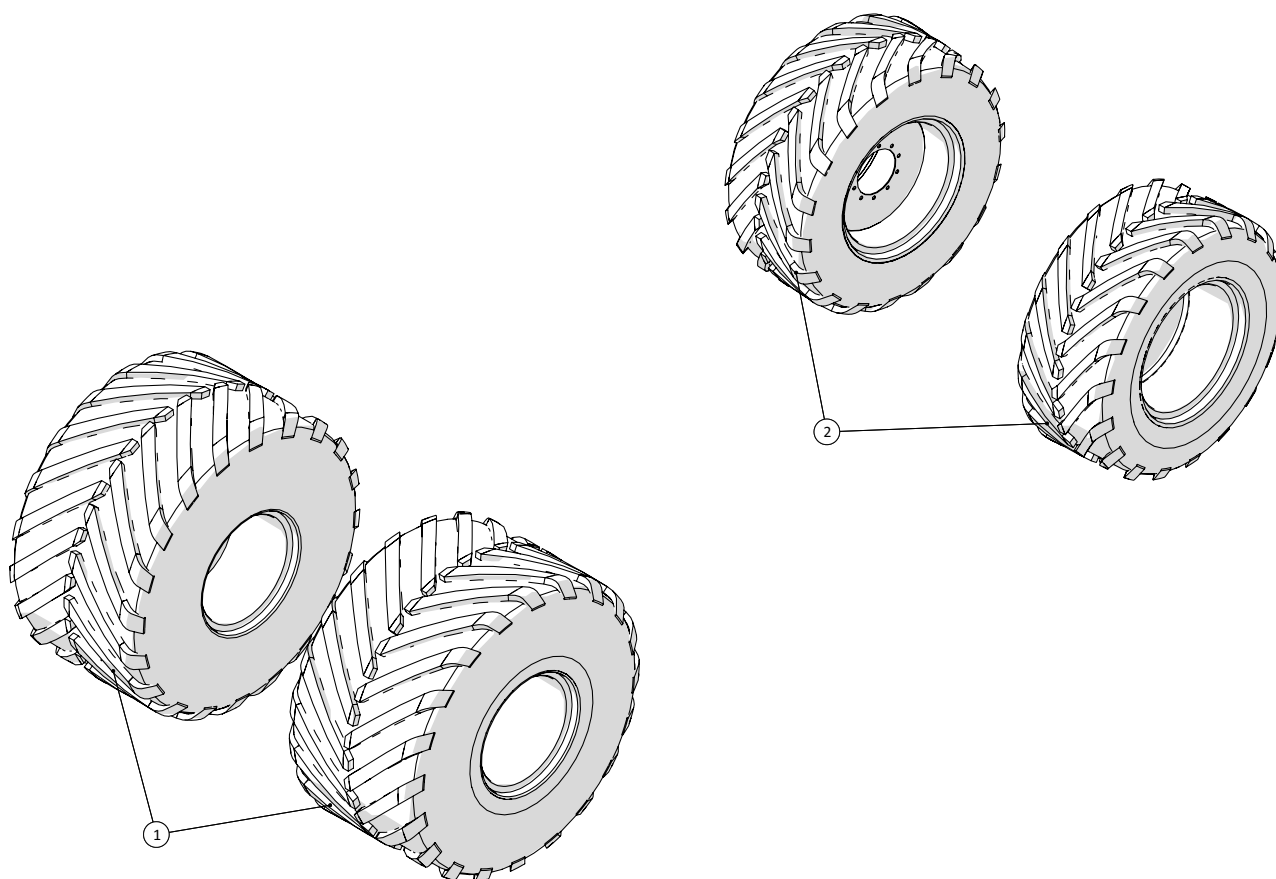
Self-propelled Slurry distributor SDS8000

Model year 2015 - 2018

≡ 1 ↓
≡ 2 ↓

A-Z

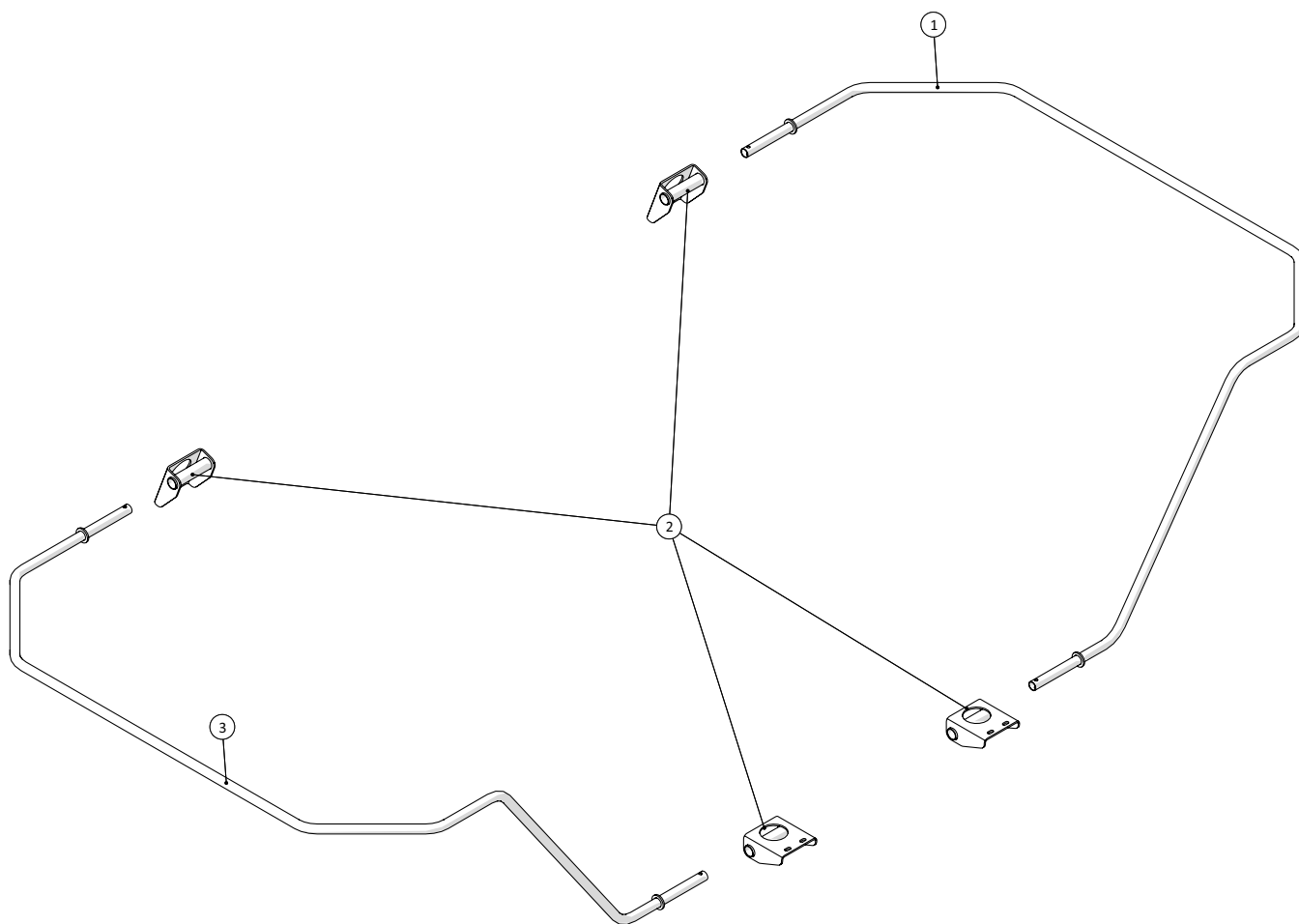
Wheels



 1 ↓  2 ↓	A-Z	Self-propelled Slurry distributor SDS8000 Model year 2015 - 2018	Date: 15/9-2016
			25

Wheels				
Pos. no.	Item no.	Pcs.	Description	Note
1	2514800888	2	MICHELIN MEGAXBIB 1050/50 R32 TL TS	Remember to point out whether it should be mounted on right or left side.
	2514800888-01		Tire	
	2514800888-02		Rim	
2	2514800889	2	MICHELIN MACHXBIB 710/55 R30 RADIAL TIRE	Remember to point out whether it should be mounted on right or left side.
	2514800889-01		Tire	
	2514800889-02		Rim	

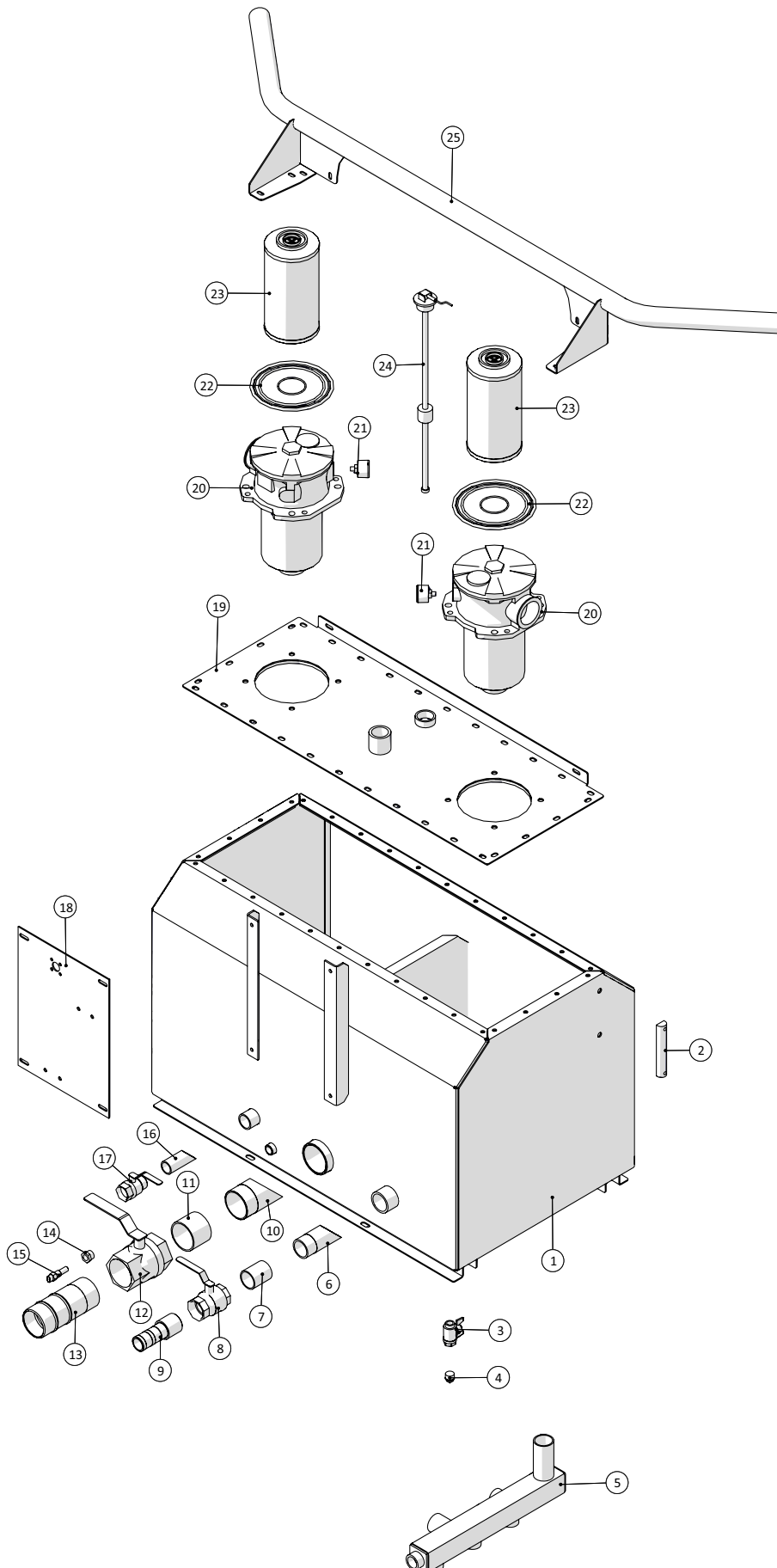
Hose deflector at the steering wheel



 1  2 ↓	A-Z	Self-propelled Slurry distributor SDS8000 Model year 2015 - 2018	Date: 15/9-2016
			26

Hose deflector at the steering wheel				
Pos. no.	Item no.	Pcs.	Description	Note
1	251476804913	1	Deflector for right steering wheel	
2	251476804898	4	Barcket for deflector	
3	251476804912	1	Deflector for left steering wheel	

Hydraulic tank

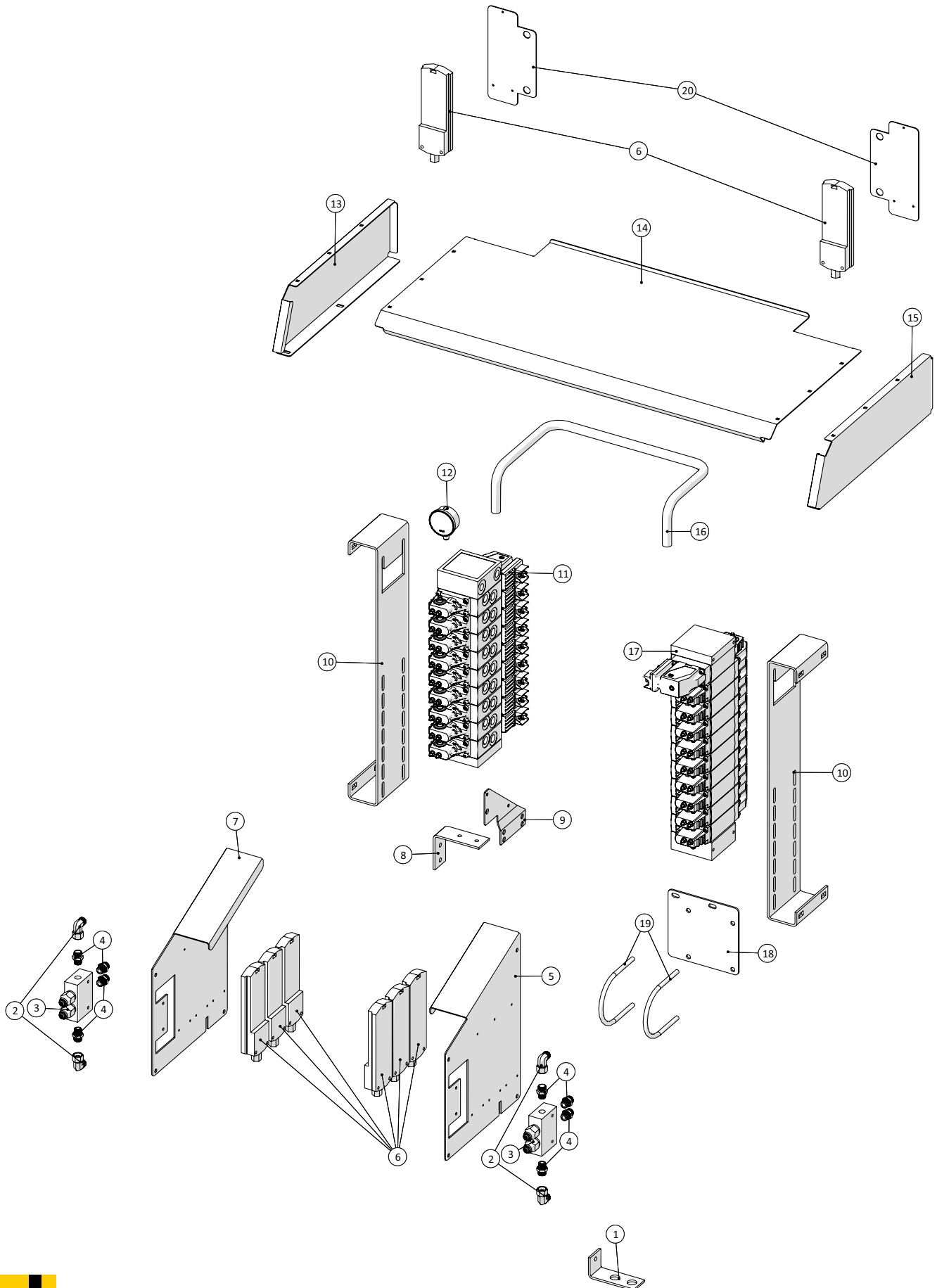


Hydraulic tank

Pos. no.	Item no.	Pcs.	Description	Note
1	251476803731	1	Hydraulic tank – large	
2	2514851242	1	Oil level window	
3	13100044	1	Ball valve T-handle female/male ½"	
4	000291104	1	Plug black ½"	
5	251476803447	1	Manifold for return oil	
6	251476803493	1	Inlet for hydraulic tank	
7	251476806706	1	Shortened nipple for hydraulic tank 1½x60	
8	13100012	1	Ball valve female/female 1½"	
9	14380042-1	1	Hose stub w/BSP 38x1½"	
10	251476803487	1	Inlet for hydraulic tank	
11	251476806707	1	Shortened nipple for hydraulic tank 2½x60	
12	13100016	1	Ball valve female/female 2½"	
13	14380050-1	1	Hose stub w/BSP 76x2½"	
14	251476803437	1	Bushing for temperature sensor	
15	251476803492	1	Sensor	
16	251476487000	1	Pipe for hydraulic tank	
17	13100068	1	Ball valve female/male 1"	
18	251476803293	1	Plate for valves	
19	251476804433	1	Top plate for hydraulic tank	
20	2514851468	2	Return Filter	
21	2514851470	2	Manometer for return filter	
22	2514851469	2	O-ring for return filter	
23	25132495	2	Return filter element	
24	25017058	1	Sensor	
25	251476804664	1	Deflector	



PVG

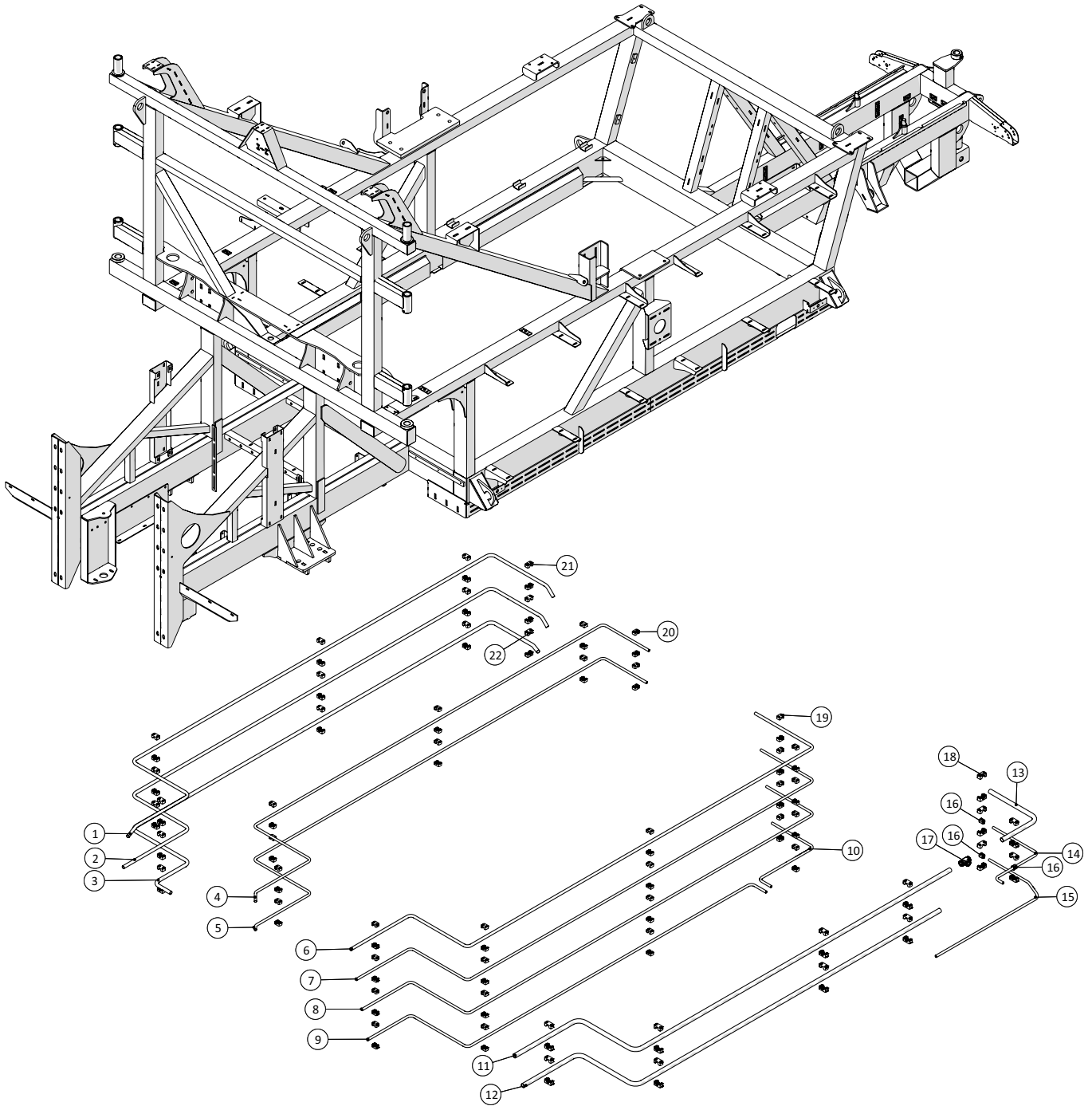


PVG

Pos. no.	Item no.	Pcs.	Description	Note
1	251476803495	1	Bracket for check valves	
2	503372992	4	Adjustable male stud elbow L12	
3	2514702290	2	Counterbalance valve DCB10-HV--2-B-1-E-100-B-SE3B	
4	503373064	8	Male stud coupling L12x3/8"	
5	251476805493	1	Mounting plate for CAN-BUS, left	
6	1229010500	8	CAN-BUS C11Y-120OHM 1x2x0.5mm2	
7	251476805492	1	Mounting plate for CAN-BUS, right	
8	251476803494	1	Bracket for pressure filter	
9	251476804010	1	Bracket for brake valve	
10	251476803727	2	Mountingplate for PVG	
11		1	PVG - 9 blocks	
12	1362SPG063250SB	1	Analogue Pressure Gauge 0-250BAR 1/4"	
13	251476804742	1	Side for PVG cover	
14	251476804743	1	Top for PVG cover	
15	251476804741	1	Side for PVG cover	
16	251476803706	1	Pipe for PVG pressure	
17		1	PVG - 10 blocks	
18	251476803954	1	Bracket for accumulator for brake	
19	10381115	2	U-bolt Ø115x145 M10	
20	251476805494	2	Bracket for CAN-BUS	



Hydraulic pipes

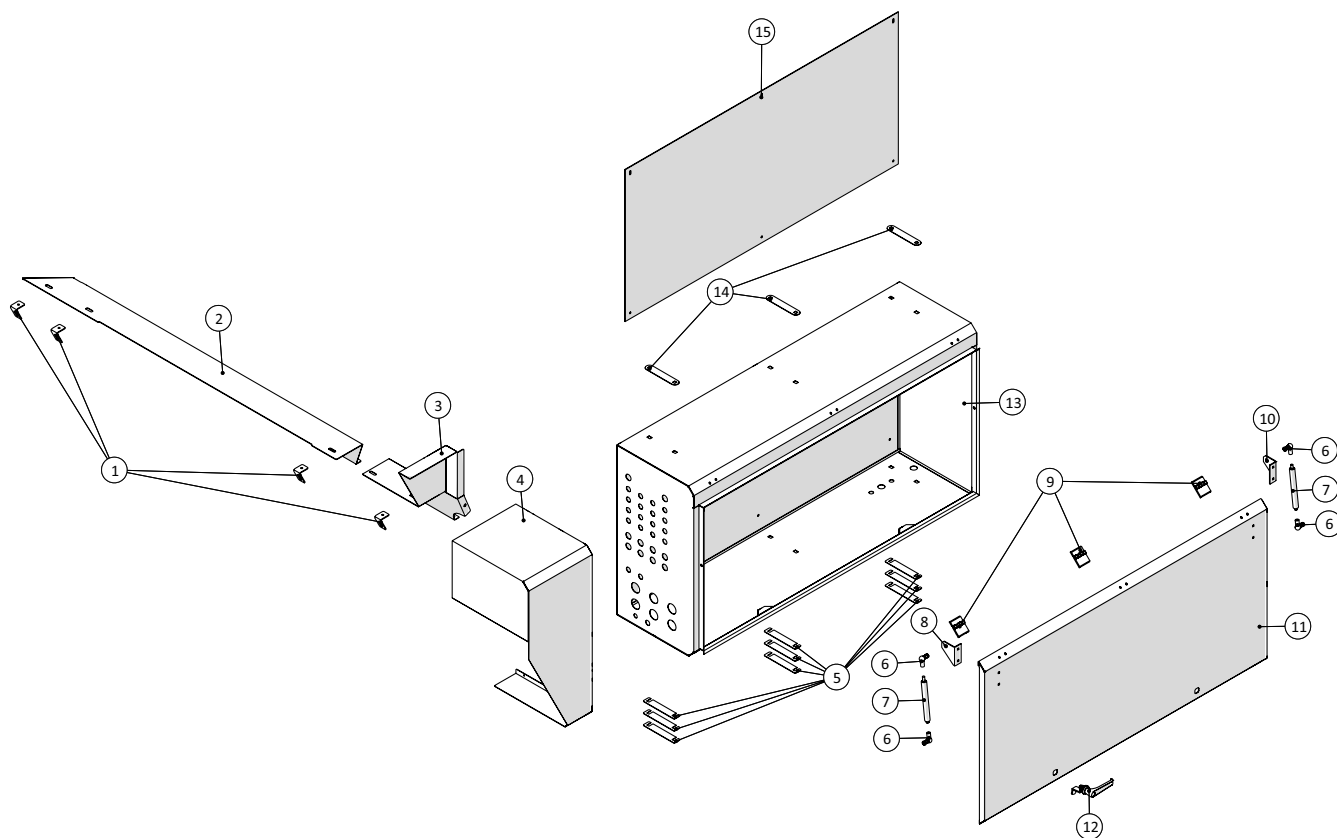


Hydraulic pipes

Pos. no.	Item no.	Pcs.	Description	Note
1	251476802663	1	Hydraulic pipe, right, top, outer	
2	251476802664	1	Hydraulic pipe, right, lower, outer	
3	251476804560	1	Hydraulic pipe, right, lower, outer - for leak oil	
4	251476802654	1	Hydraulic pipe, right, top, inner	
5	251476802655	1	Hydraulic pipe, right, middle, inner	
6	251476804983	1	Hydraulic pipe, left, top, inner	
7	251476804984	1	Hydraulic pipe, left, upper middle, inner	
8	251476804985	1	Hydraulic pipe, left, lower middle, inner	
9	251476806001	1	Hydraulic pipe, left, lower, inner - part 1	
10	251476804040	1	Hydraulic pipe, left, lower, inner - part 2	
11	251476804981	1	Hydraulic pipe, left, top, outer	
12	251476804982	1	Hydraulic pipe, left, middle, outer	
13	251476804051	1	Hydraulic pipe	
14	251476804036	1	Hydraulic pipe, drain	
15	251476806229	1	Pipe for air brake	
16	51002815	3	Adapter for STAUFF clamp	
17	503373415	1	Tee L28	
18	51000028-01	26	STAUFF Clamp Body, single 28mm	
19	51000018-01	10	STAUFF Clamp Body, single 18mm	
20	51000015-01	50	STAUFF Clamp Body, single 15mm	
21	51000020-01	20	STAUFF Clamp Body, single 20mm	
22	51000022-01	10	STAUFF Clamp Body, single 22mm	



Control box

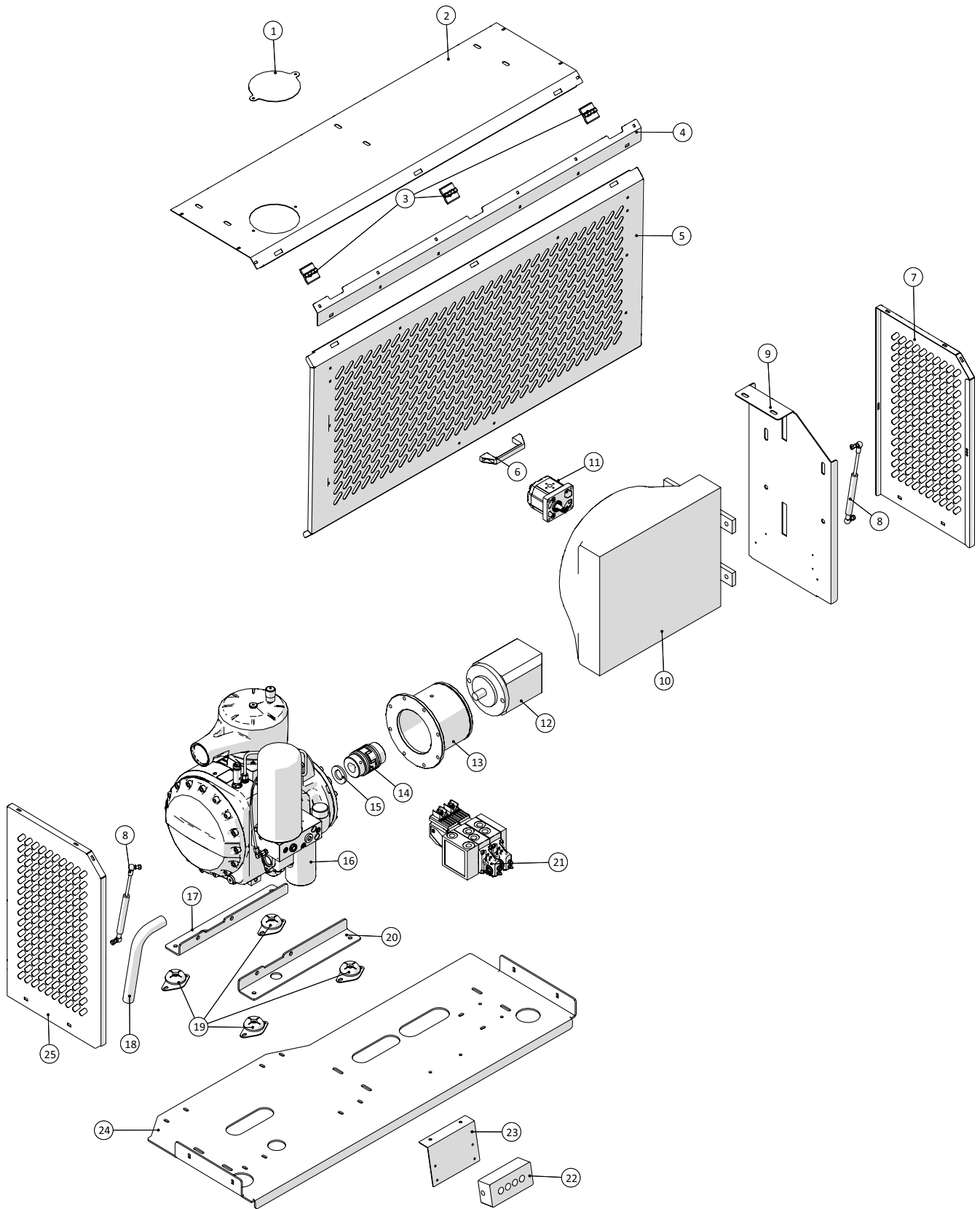


Control box

Pos. no.	Item no.	Pcs.	Description	Note
1	251476806208	4	Angle for cover	
2	251476806209	1	Cover behind the hydraulic tank	
3	251476806210	1	Cover behind the hydraulic tank	
4	251476806211	1	Cable cover beside control box	
5	251476805487	9	Adjustments for control box	
6	1513850636	4	Ball joint 8mm / 8mm	
7	2514850206	2	Gas Cylinder	
8	251476639762	1	Angle bracket for gas cylinder	
9	1513820115	3	Hinge for control box	
10	251476639761	1	Angle bracket for gas cylinder	
11	251476805490	1	Front for control box	
12	2514850364	2	Handle with lock	
13	251476805481	1	Control box	
14	251476805486	3	Gasket for control box	
15	251476805470	1	Base plate for control box	



Compressor cabinet

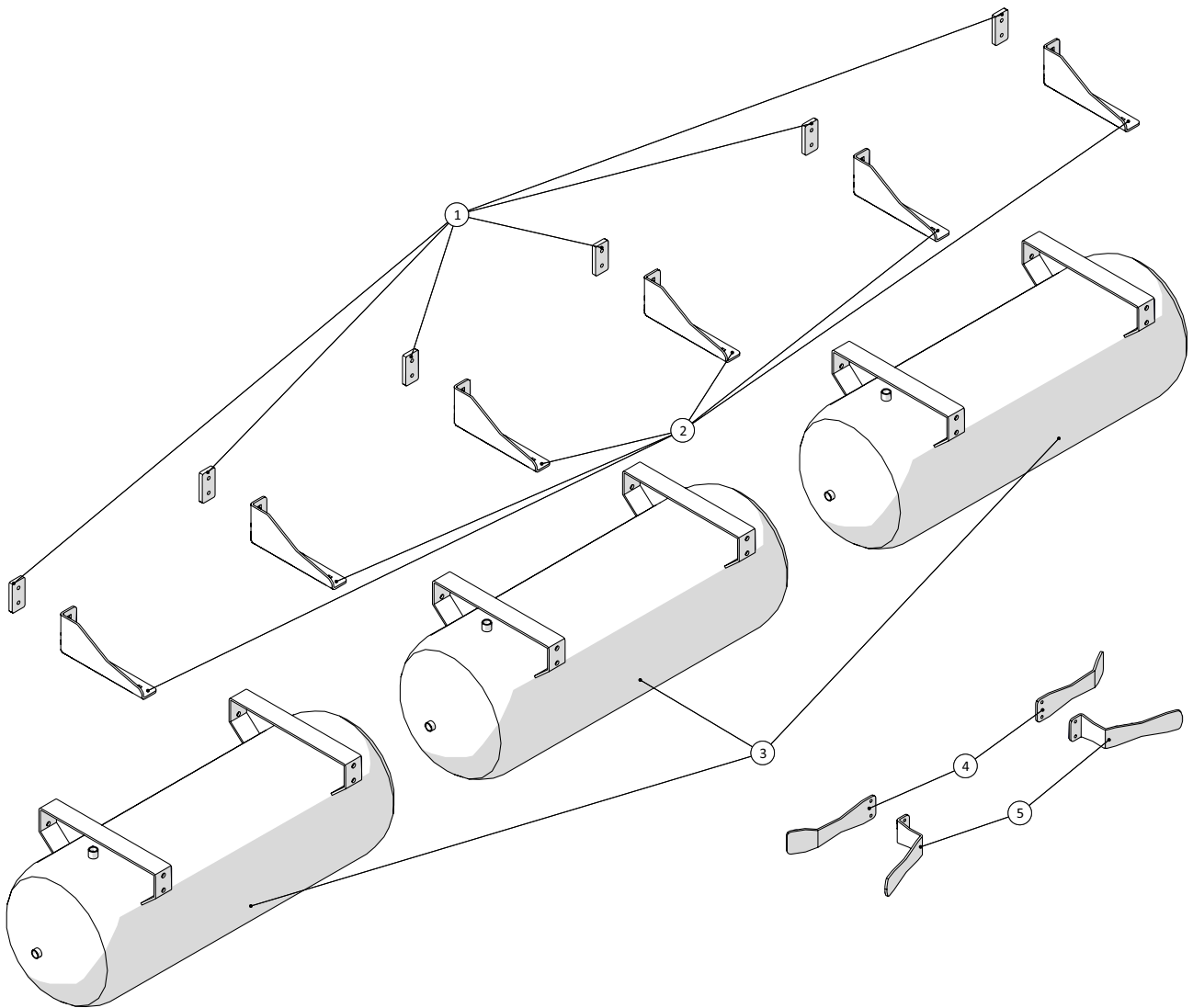


Compressor cabinet

Pos. no.	Item no.	Pcs.	Description	Note
1	251476805117	1	Cover	
2	251476804946	1	Top for compressor cabinet	
3	1513820116	3	Hinge	
4	251476805605	1	Protective plate	
5	251476804935	1	Front for compressor cabinet	
6	2514803066	1	Handle	
7	251476804934	1	Rear, side plate for compressor cabinet	
8	2514850206-1	2	Gas Cylinder cpl. w/ball joints	
	2514850206	2	Gas Cylinder	
	1513850636	4	Ball joint 8mm / 8mm	
9	251476804923	1	Mounting Plate for radiator	
10	25132372	1	Radiator 2-pass	
11	13631212058400	1	Gear motor for radiator	
12	25134021	1	Piston engine	
13	251476804960	1	Coupling housing	
14	25134020	1	Complete coupling Z38 Rotex 16/32	
15	251476804965	1	Spacer for coupling for kompressor	
16	25134022	1	Screw Compressor	
17	251476804925	1	Mounting bracket for compressor	
18		1	Drain pipe for compressor	
19	2514850207	4	Rubber damper BRB65 B50	
20	251476804922	1	Mounting bracket for compressor	
21	136383046188	1	PVG32 - 2 block compressor emptying	
22	25212071	1	Electrical box	
23	251476805510	1	Mounting plate for control box compressor	
24	251476804910	1	Base for compressor cabinet	
25	251476804933	1	Front, side plate for compressor cabinet	



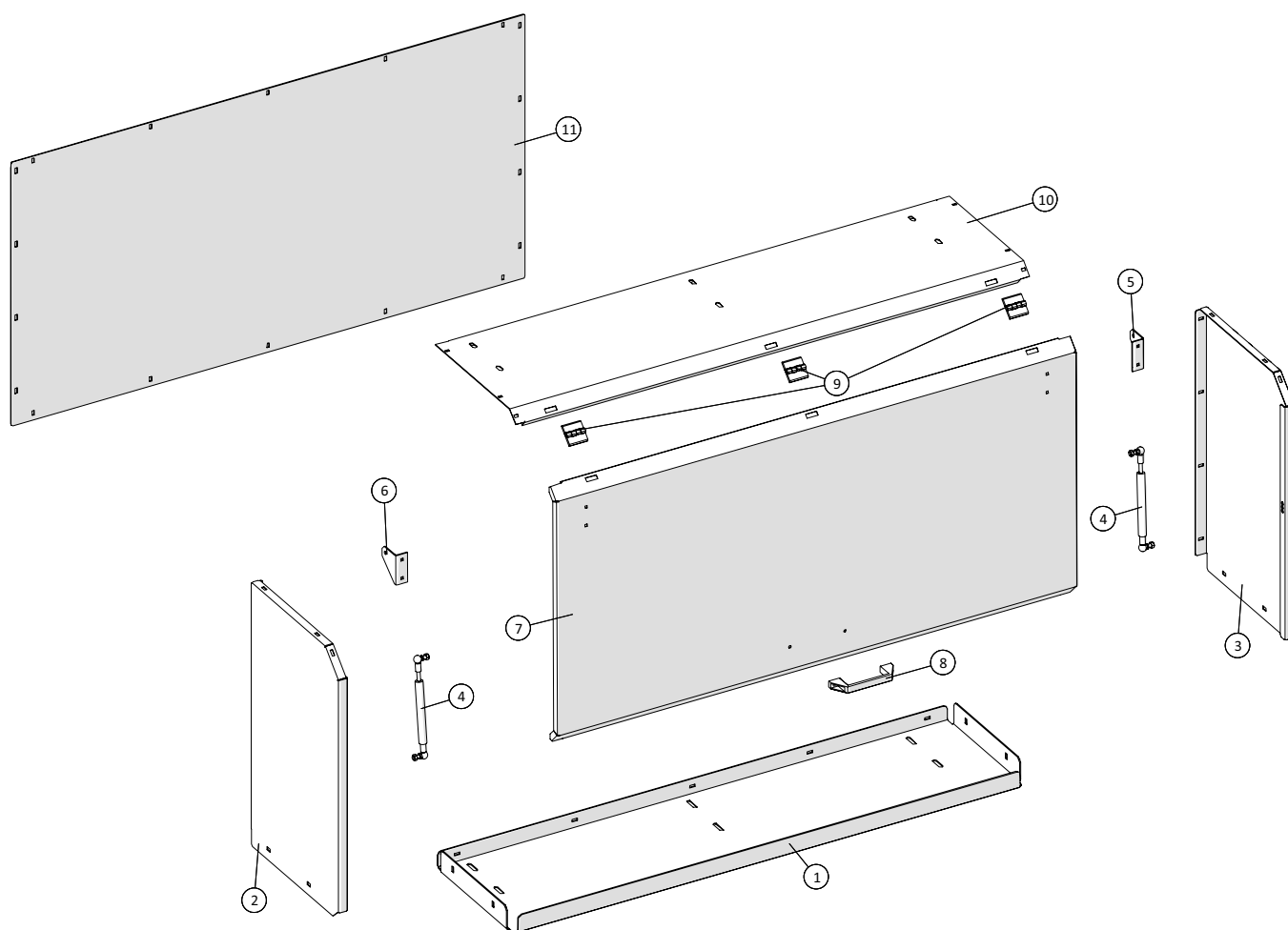
Compressor tanks



 1 ↓  2 ↓	A-Z	Self-propelled Slurry distributor SDS8000 Model year 2015 - 2018	Date: 15/9-2016
			32

Compressor tanks				
Pos. no.	Item no.	Pcs.	Description	Note
1	251476804034	6	Threaded plate for mounting rail	
2	251476804940	6	Bracket for pressure tanks	
3	25134023	3	Air tank 90L - Horizontal	
4	251476805604	2	Back for hose bracket	
5	251476805603	2	Hose bracket	

Toolbox

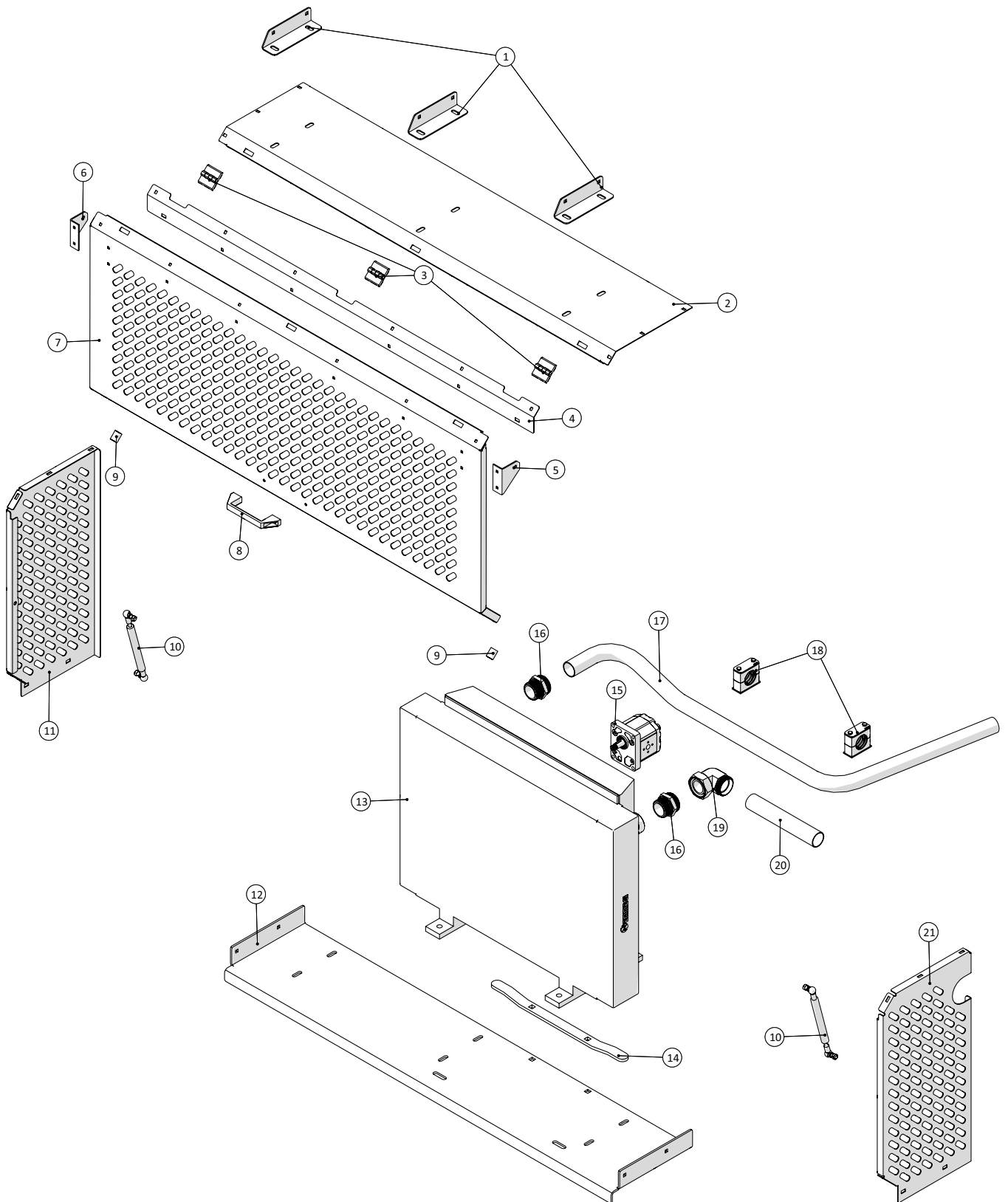


Toolbox

Pos. no.	Item no.	Pcs.	Description	Note
1	251476805123	1	Base for toolbox	
2	251476805121	1	Front, side plate for toolbox	
3	251476805122	1	Rear, side plate for toolbox	
4	2514850206-1	2	Gas Cylinder cpl. w/ball joints	
	2514850206	2	Gas Cylinder	
	1513850636	4	Ball joint 8mm / 8mm	
5	251476639761	1	Angle bracket for gas cylinder	
6	251476639762	1	Angle bracket for gas cylinder	
7	251476805126	1	Front for toolbox	
8	2514803066	1	Handle	
9	1513820116	3	Hinge	
10	251476805124	1	Top for toolbox	
11	251476805125	1	Back plate for toolbox	



Radiator cabinet



Radiator cabinet

Pos. no.	Item no.	Pcs.	Description	Note
1	251476805567	3	Mounting bracket	
2	251476805388	1	Top for radiator cabinet	
3	1513820116	3	Hinge	
4	251476805605	1	Protective plate	
5	251476639761	1	Angle bracket for gas cylinder	
6	251476639762	1	Angle bracket for gas cylinder	
7	251476805564	1	Front for radiator cabinet	
8	2514803066	1	Handle	
9	25017404	2	Rubber damper B20x25 M6	
10	2514850206-1	2	Gas Cylinder cpl. w/ball joints	
	2514850206	2	Gas Cylinder	
	1513850636	4	Ball joint 8mm / 8mm	
11	251476805566	1	Rear, side plate for radiator cabinet	
12	251476805389	1	Base for radiator cabinet	
13	250180399	1	Radiator HPA36 2PAS	
14	251476805556	1	Mounting bracket for radiator	
15	2514853649	1	Gear motor for radiator	
16	503374850	2	Male stud coupling L42x1¼"	
17	251476805504	1	Hydraulic pipe for radiator	
18	51000042	2	STAUFF Clamp, single 42mm	
19	503374563	1	Adjustable male stud elbow L42	
20	251476805506	1	Hydraulic pipe for radiator	
21	251476805565	1	Front, side plate for radiator cabinet	



Date: 15/9-2016

Self-propelled Slurry distributor SDS8000

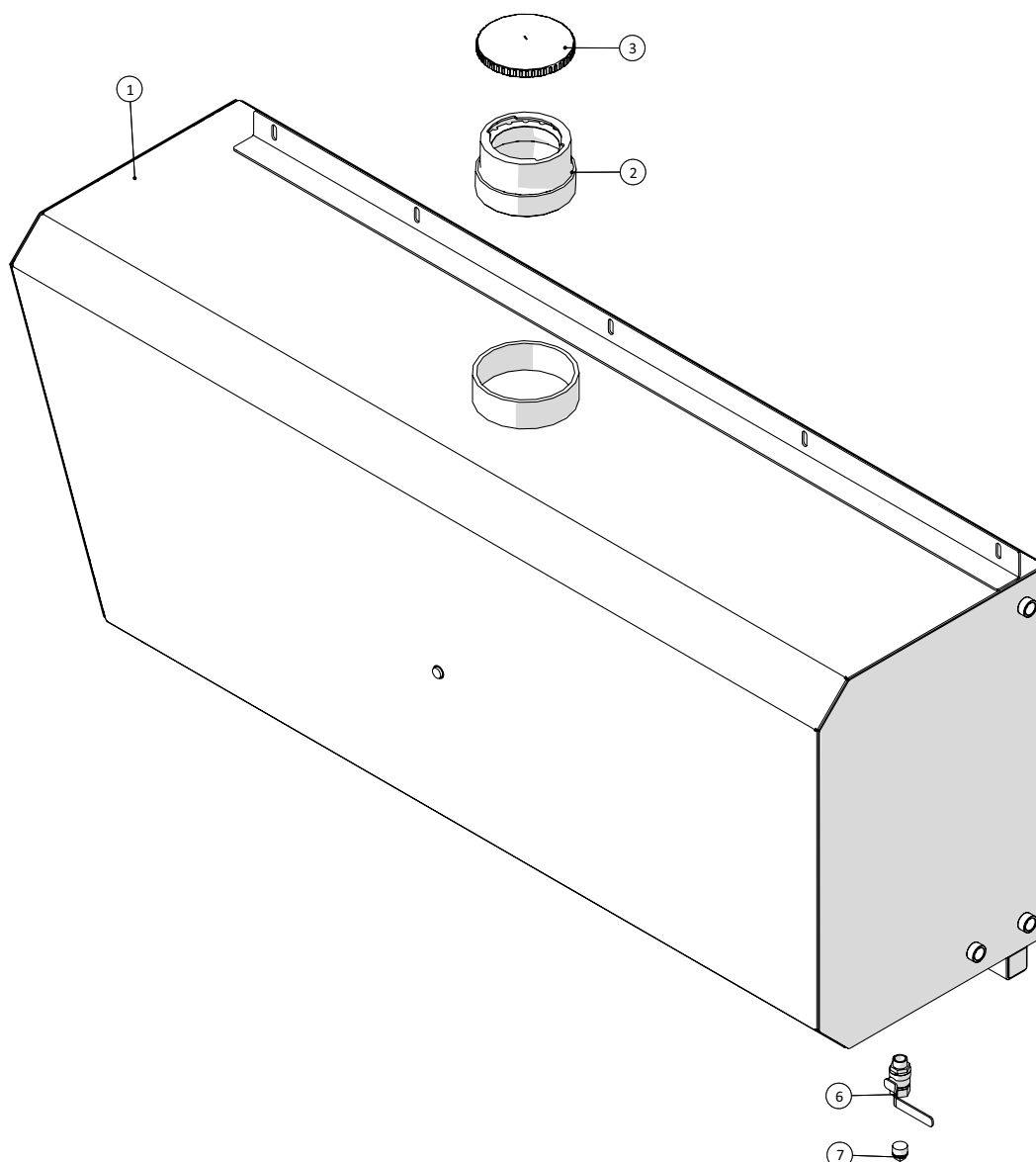
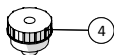
Model year 2015 - 2018

1 ↓
2 ↓

A-Z

35

Diesel tank



≡ 1 ↓
≡ 2 ↓

A-Z

Self-propelled Slurry distributor SDS8000
Model year 2015 - 2018

Date: 15/9-2016

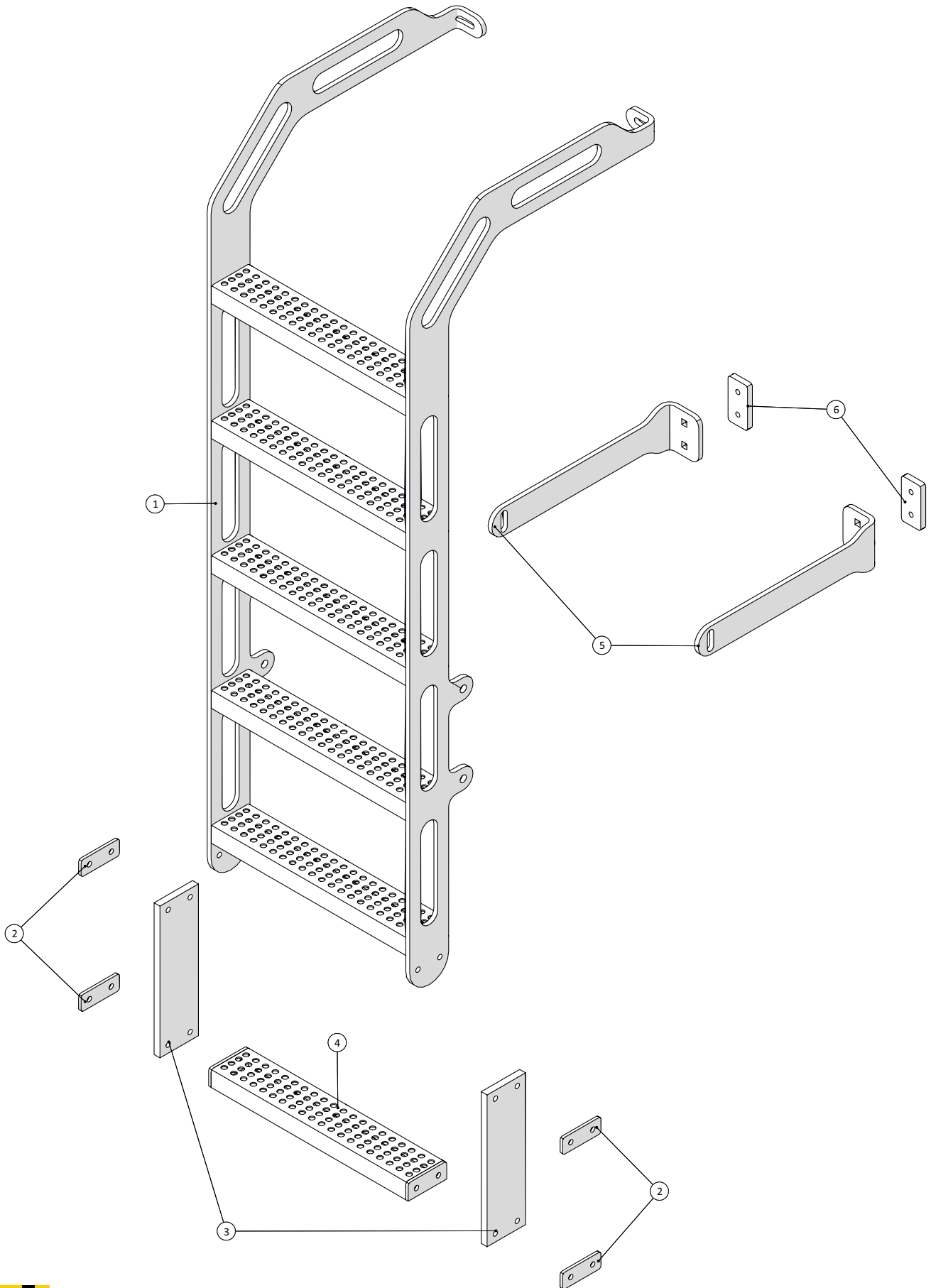
35

Diesel tank

Pos. no.	Item no.	Pcs.	Description	Note
1	251476804025	1	Diesel tank, stainless steel	
2	250180733	1	Tank Flange for strainer	
3	25017651	1	Fuel cap Ø135	
4	2514850084	1	Air filter for diesel tank	
5	2514850084-1	1	Element for air filter	
6	13100064	1	Ball valve male/female ½"	
7	000291404	1	Plug No. 291 galv. ½"	



Ladder by the diesel tank



≡ 1 ↓
≡ 2 ↓

A-Z

Self-propelled Slurry distributor SDS8000
Model year 2015 - 2018

Date: 15/9-2016

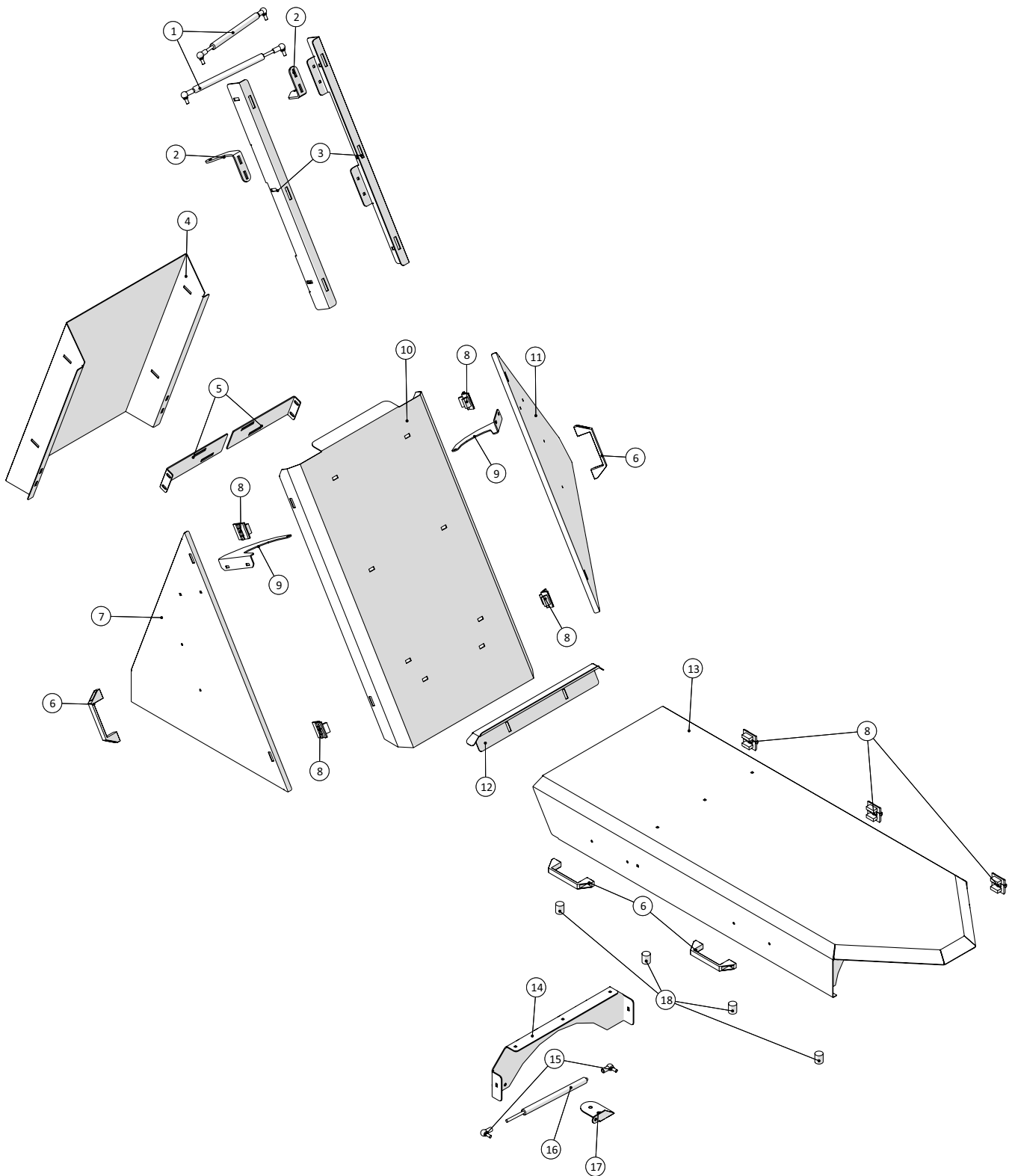
36

Ladder by the diesel tank

Pos. no.	Item no.	Pcs.	Description	Note
	251476805584	1	Ladder, complete	
1	251476805593	1	Ladder	
2	251476802164	4	Mounting plate for extra steps	
3	251476802163	2	Side for extra step	
4	251476802165	1	Plate for extra step	
5	251476805595	2	Mounting brace for ladder	
6	251476804034	2	Threaded plate for mounting rail	



Covers, rear

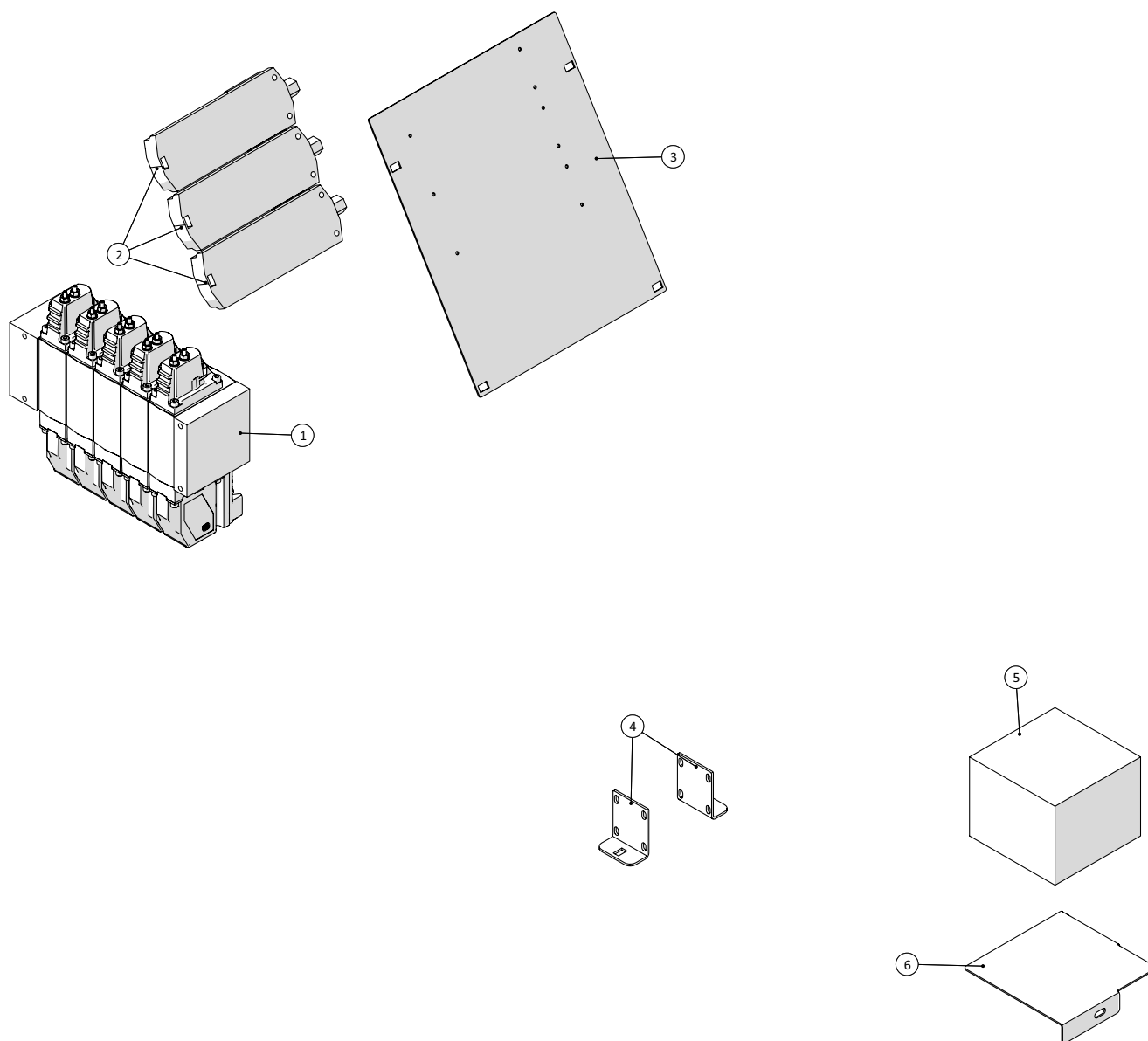


Covers, rear

Pos. no.	Item no.	Pcs.	Description	Note
1	2514850398-1	2	Gas cylinder cpl.	
	2514850398	2	Gas cylinder	
	1513850636	4	Ball joint 8mm / 8mm	
2	251476803783	2	Mounting bracket for gas cylinder	
3	251476803782	2	Mounting rail	
4	251476803774	1	Back panel above PVG	
5	251476805467	2	Bracket	
6	2514803066	4	Handle	
7	251476804023	1	Hinged cover above PVG, left	
8	1513820116	7	Hinge	
9	251476803779	2	Bracket for gas cylinder	
10	251476805466	1	Cover above PVG	
11	251476804024	1	Hinged cover above PVG, right	
12	251476803961	1	Raincover above rear axle	
13	251476803838	1	Cover above rear axle	
14	251476803798	1	Mounting plate for gas cylinder	
15	1513850636	2	Ball joint 8mm / 8mm	
16	2514850396	1	Gas Cylinder	
17	251476803809	1	Brackets for gas cylinder	
18	25017406	4	Vibration absorber	



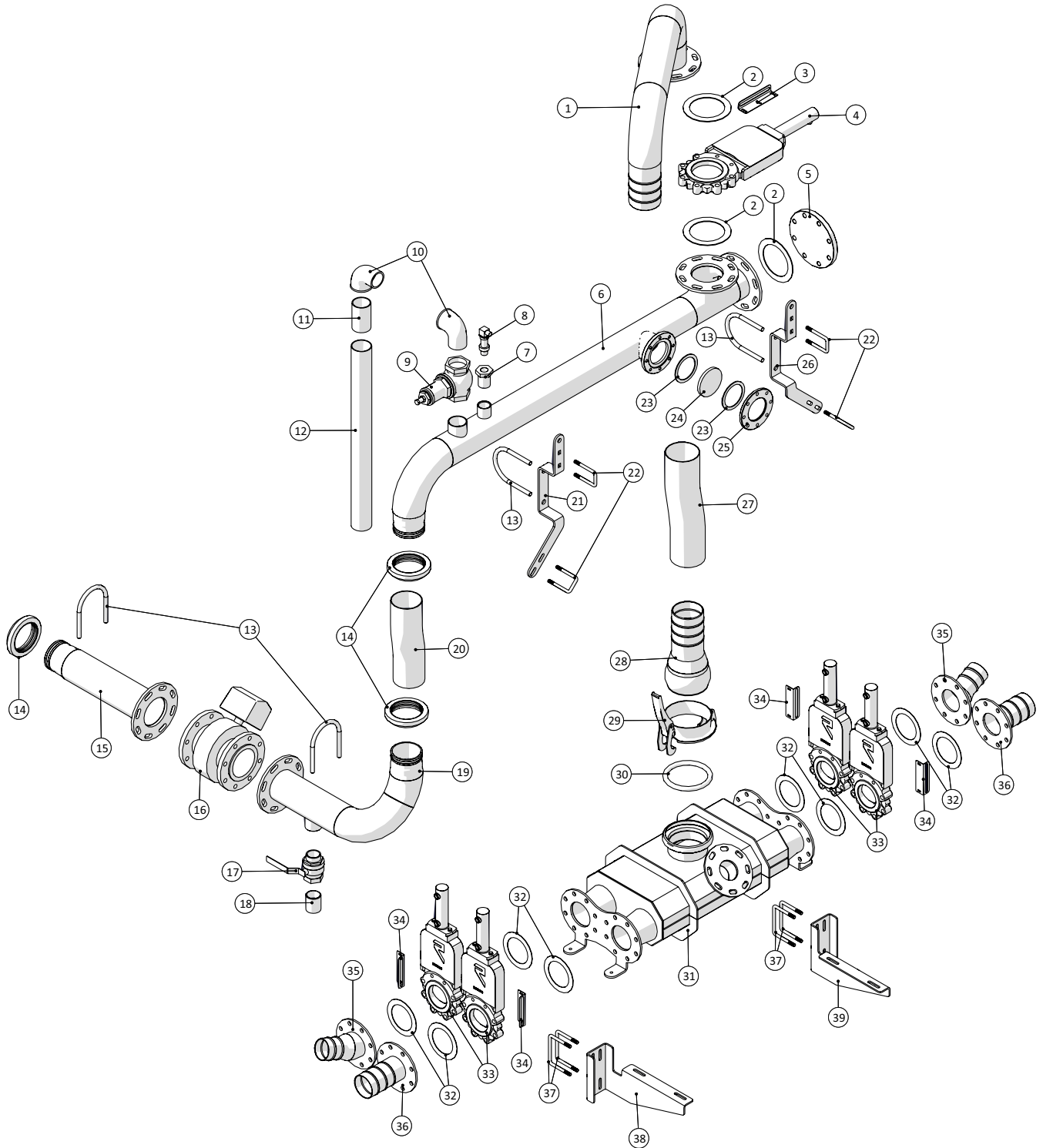
Electrical parts, rear



 1 ↓  2 ↓	A-Z	Self-propelled Slurry distributor SDS8000 Model year 2015 - 2018	Date: 15/9-2016
			38

Electrical parts, rear				
Pos. no.	Item no.	Pcs.	Description	Note
1		1	5 block PVG	
2	1229010500	3	CAN-BUS C11Y-120OHM 1x2x0.5mm2	
3	251476805495	1	Mounting plate for CAN-BUS	
4	251476803753	2	Mounting bracket for 3/2 valve	
5		1	Electrical box 150x150x120	
6	251476805496	1	Mounting plate for electrical box rear axle	

Piping with distribution tank

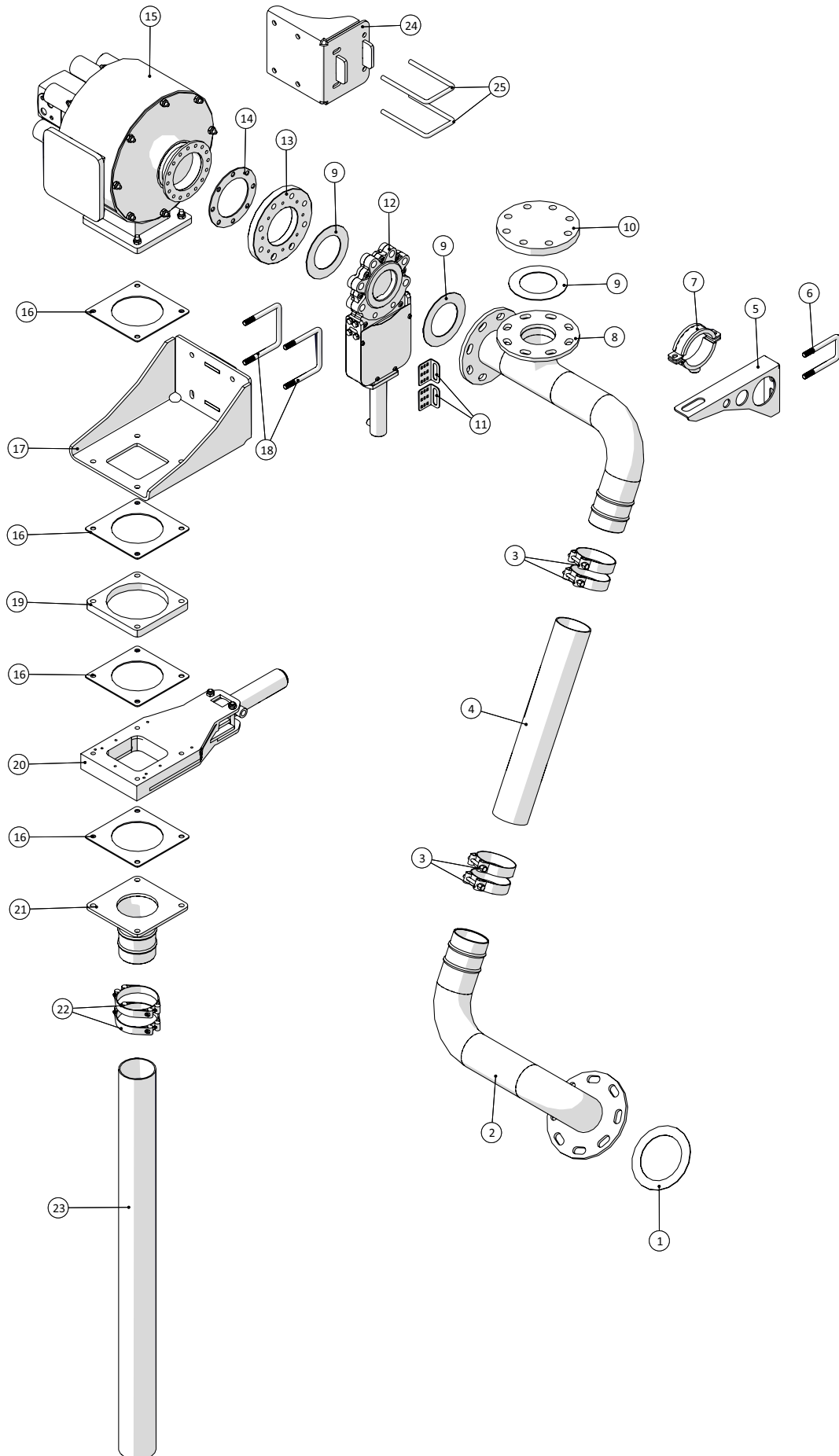


Piping with distribution tank

Pos. no.	Item no.	Pcs.	Description	Note
1	251476804711	1	short feed pipe	
2	13250551	3	Flange gasket NW125 192x141x3mm	
3	251476804019	1	Bracket for inductive sensor -large	
4	20144125	1	Ramus gate-valve w/cylinder DN125 5"	
5	000643140	1	Blind flange PN16 DN125	
6	25054770	1	Lange slurry pipes	
7	000241458	1	Reduction	
8	13180731	1	Pressure transmitter 7MF1 0-25bar 1 "	
9	13080020-1	1	Pressure relief valve w / o-ring 2½ "	
10	000092413	2	Elbow 90° No.92 galv. 2½"	
11	14360022	1	Nipple w/1 thread black 2½ "x120mm	
12		1		
13	23623702	4	U-bolt Ø115x145 M10	
14	14180215-1	3	STORZ clamp ring 5"	
15	25054774	1	Pipe for Flow Meter	
16	2514850374	1	Flow Meter MAG3100 24V DN125 5 "	
17	13100074	1	Ball valve male/female 2"	
18	14360016	1	Nipple w/1 thread 2"x70mm	
19	25054777	1	Pipe after flowmeter	
20		1		
21	25054784	1	Bracket for large slurry pipe	
22	251476691270	4	Bracket for distributor lift/platform	
23	251476802329	2	Gasket for inspection glass	
24	2514850930	1	Inspection glass Ø125 12mm hardened 8902	
25	251476802321	1	Clamping flange for inspection glass	
26	25054776	1	Bracket for piping	
27	16050216	pr.m.	ARMTEX pressure hose, black 5"	
28	14050394-01	1	BAUER HK hose coupling with ball 159x127	
29	14050015	1	BAUER HK S2 closure ring galv. 159mm	
30	14050045	1	BAUER HK S4 Rubber Sealing ring Ø159	
31	251476804630	1	Distribution tank	
32	13250545	8	Flange gasket NW100 162x115mm	
33	20144100	4	Ramus gate-valve w/cylinder DN100 4"	
34	251476806704	4	Bracket for inductive sensor	
35	251476804657	2	Flange with suspension 3½"	
36	251476804655	2	Flange with suspension 4"	
37	251476634940	4	U-clamp	
38	251476804662	1	Suspension	
39	251476804661	1	Suspension	



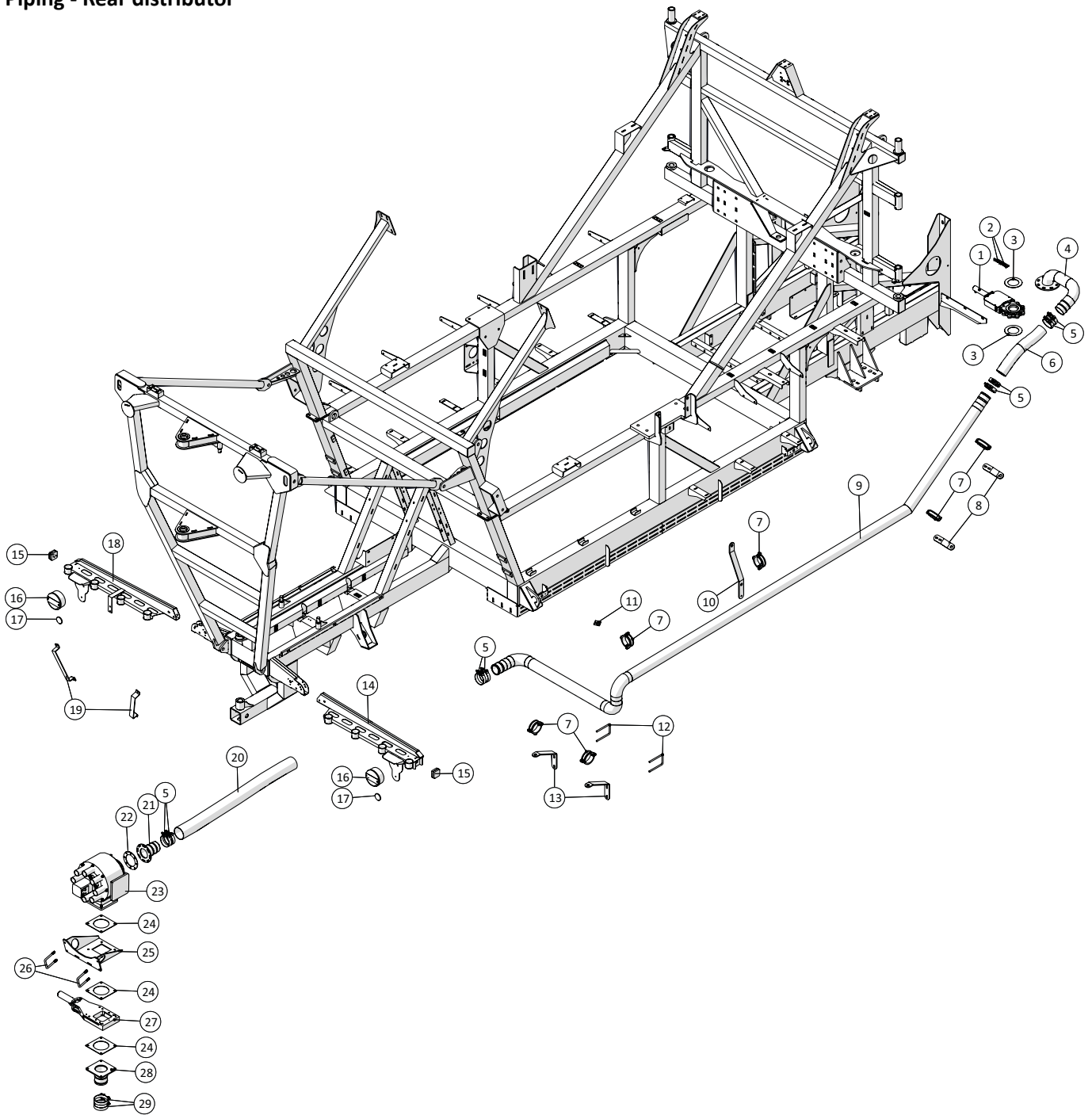
Piping - Front distributor



Piping - Front distributor				
Pos. no.	Item no.	Pcs.	Description	Note
1	13250545	1	Flange gasket NW100 162x115mm	
2	251476804852	1	Outlet from distributions tank	
3	16200728	4	Hose clamp 92-97	
4	16050210	1	ARMTEX pressure hose, black 90mm	
5	251476805545	1	Bracket for inlet pipe	
6	251476691270	1	Bracket for distributor lift/platform	
7	10380498	1	Hose clamp \varnothing 92 - \varnothing 104	
8	251476805535	1	Pipe	
9	13250540	3	Flange gasket NW80 142x90mm	
10	000643089	1	Blind flange PN16 DN80	
11	251476801147	2	Bracket for inductive sensor	
12	20144080	1	RAMUS gate-valve w/cylinder DN80	
13	25055288	1	Adapter flange for gate valve DN80 and HARS \varnothing distributor	
14	25055562	1	Flange gasket for small HARS \varnothing distributor	
15	251476804718	1	HARS \varnothing distributor w/8 holes	
16	20140715	4	MZ rubber seal 4"/5"/6"	
17	251476805618	1	Console for front distributor	Bottom mounting of the distributor
18	251476805620	2	U-bolt for 100mm profile	Bottom mounting of the distributor
19	20140714G	1	MZ Flange - 20mm	
20	211812001100-05-AT	1	HARS \varnothing Gate Valve 5"	
21	25055587	1	Drain pipe for front distributor	
22	16200340	2	Hose clamp w/2 bolts 100 90-100mm	
23	16010030	pr. m	APOLLO pvc hose, gray/blue 3½"	
24	25054965	1	Bracket for front distributor	Side mounting of the distributor
25	251476634580	2	U-bolt	Side mounting of the distributor



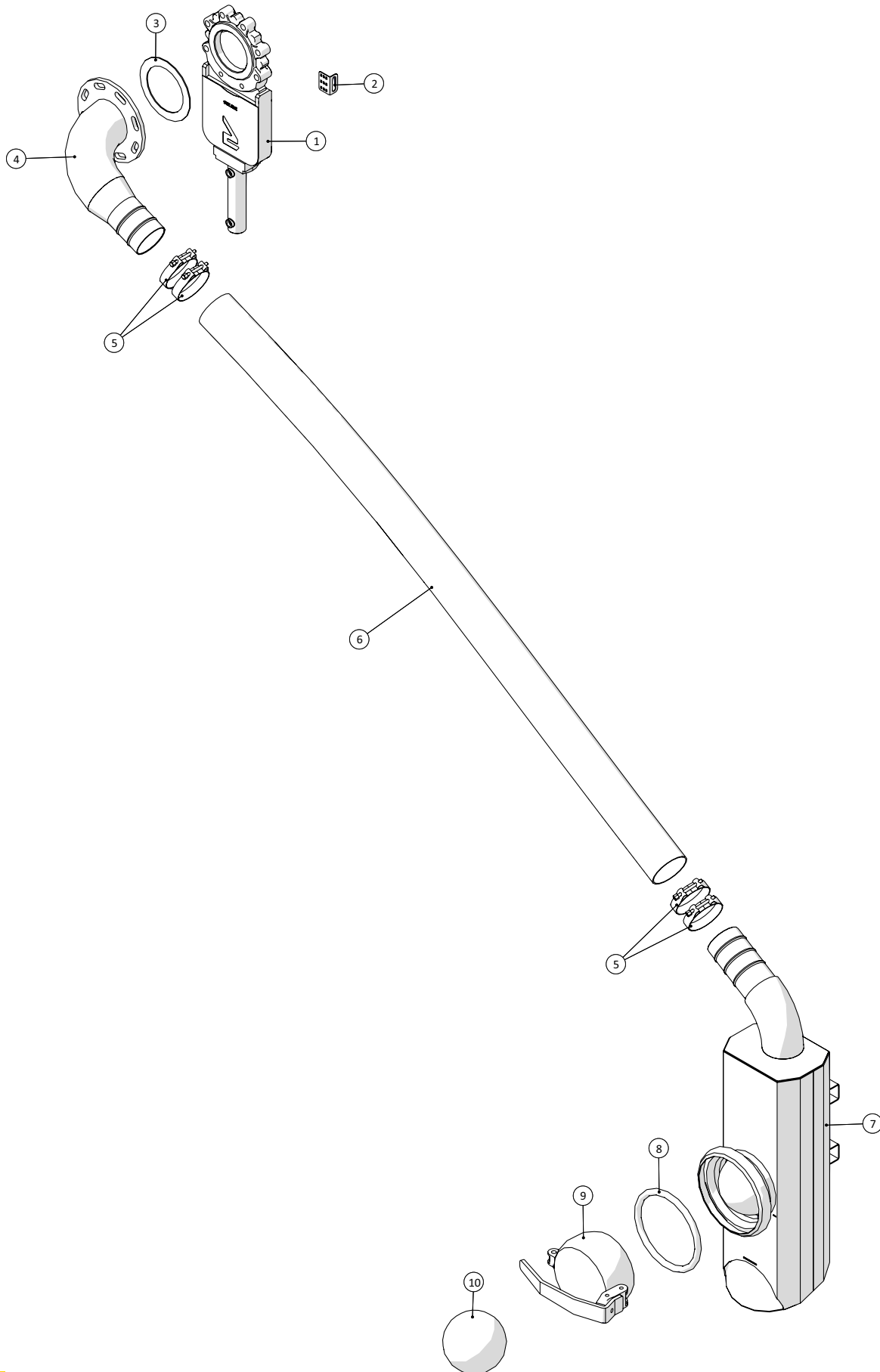
Piping - Rear distributor



Piping - Rear distributor

Pos. no.	Item no.	Pcs.	Description	Note
1	20144080	1	RAMUS gate valve w/cylinder DN80	
2	251476801147	2	Bracket for inductive sensor	
3	13250540	2	Flange gasket NW80 142x90mm	
4	251476805523	1	Inlet pipe for rear distributor	
5	16200728	8	Hose clamp 92-97	
6	16050210	pr. m	ARMTEX pressure hose, black 90mm	
7	10380498	6	Clamp $\varnothing 92$ - $\varnothing 104$	
8	251476805542	2	Bracket for slurry pipe for rear distributor	
9	251476805392	1	Slurry pipe for rear distributor	
10	251476805544	1	Central mounting for slurry pipe	
11	10380525	1	Mounting bracket for hose clamp w/ $\frac{1}{2}$ " BSP	
12	251476634580	2	U-bolt for brackets for slurry pipes	
13	251476805534	2	Rear bracket for slurry pipe	
14	251476805530	1	Right hose rack	
15		2	Side Marker	
16	25017255	2	HELLA Taillight	
17	25102055	2	Reflex Red $\varnothing 60$	
18	251476805520	1	Left hose rack	
19	251476805514	2	Hose bracket on crane tower	
20	16050210	pr. m	ARMTEX pressure hose, black 90mm	
21	251476805533	1	Inlet stub	
22	25055562	1	Flange gasket for small HARS \varnothing distributor	
23	251476804718	1	HARS \varnothing distributor 8 holes	
24	20140715	3	MZ rubber gasket 4"/5"/6"	
25	251476805515	1	Bracket for rear distributor	
26	151377801073	2	U-bolt for mounting feed pipe	
27	211812001100-05-AT	1	HARS \varnothing gate valve 5"	
28	25054958	1	Drain pipe for 8 hole distributor	
29	16200732	2	Hose clamp 104-112	
30	251476806238	1	PE pipe under rear distributor	

Sponge trap

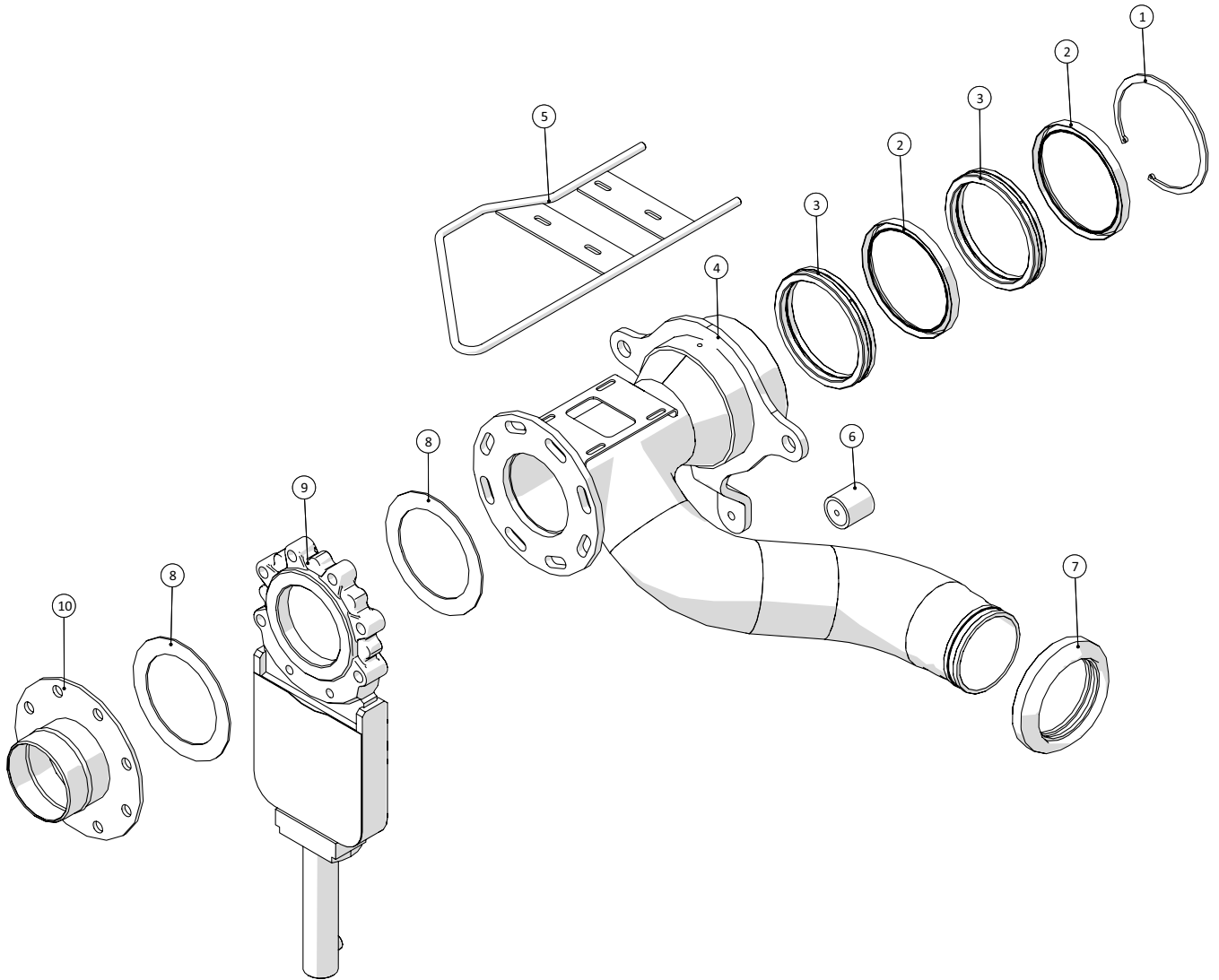


Sponge trap

Pos. no.	Item no.	Pcs.	Description	Note
1	20144125	1	RAMUS gate valve w/cyl. DN125 5"	
2	251476801147	1	Bracket for inductive sensor	
3	13250551	1	Flangegasket NW125 192x141x3mm	
4	251476803539	1	Outlet pipe from flowmeter to sponge trap	
5	16200732	4	Clamp 104-112mm	
6	16050215	pr.m	Black ARMTEX pressure hose 4"	
7	251476804121	1	Sponge trap housing	
8	14050046	1	O-ring for Ø194 coupling	
9	251476802371	1	Sponge trap lid	
10	25018099	1	Foam ball Ø175	
	2514850931	1	Lumiglas lamp	
	25032215	1	Mounting plate for monitor	In cabine



Swivel joint



≡ 1 ↓
≡ 2 ↓

A-Z

Self-propelled Slurry distributor SDS8000
Model year 2015 - 2018

Date: 15/9-2016

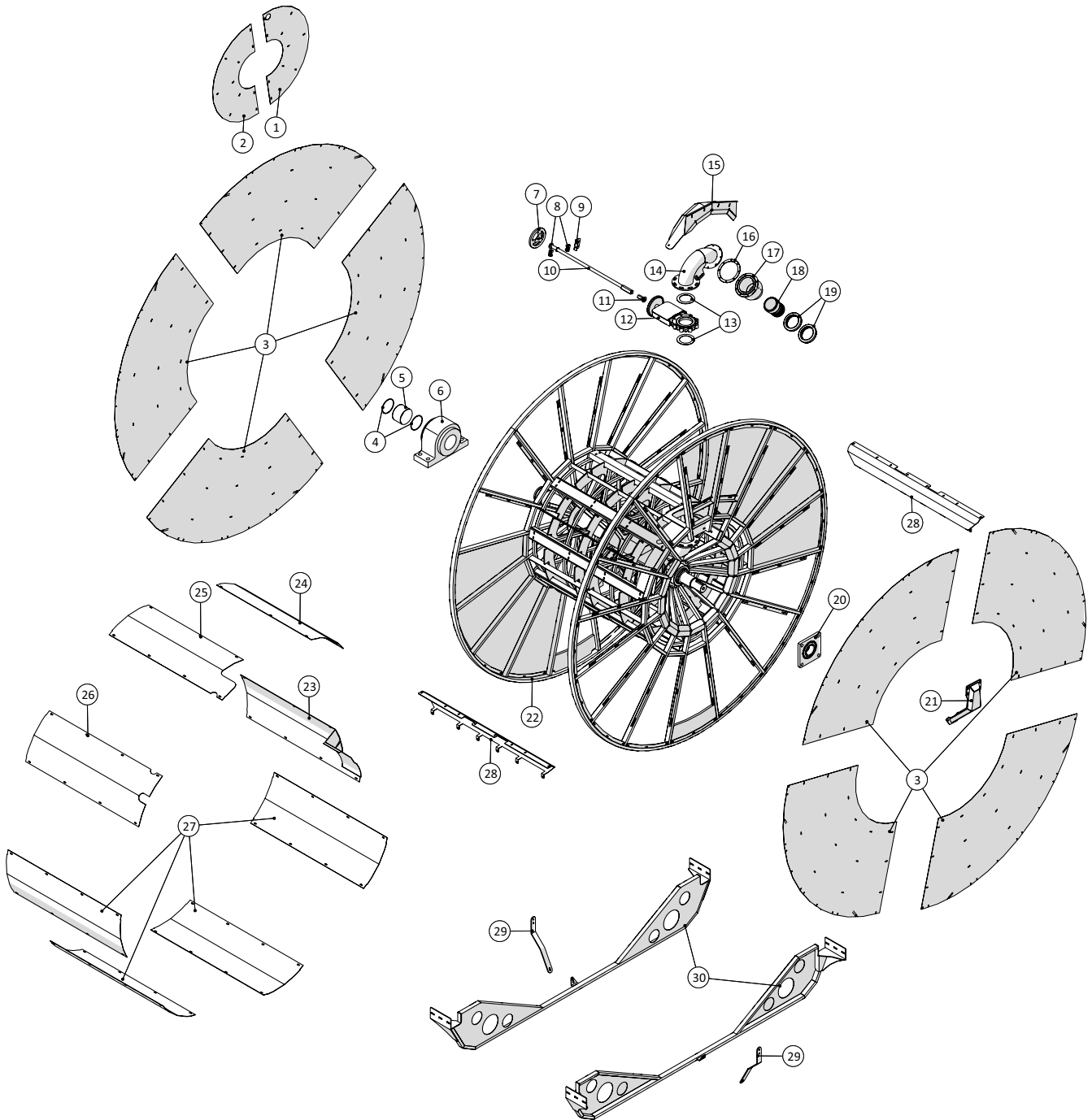
43

Swivel joint

Pos. no.	Item no.	Pcs.	Description	Note
1	15140037600180	1	Retaining ring J180x2,5	
2	251476802552	2	Simmerring 155x180x15	
3	251476802580	2	Glide Ring for 5" hose reel	
4	251476805405	1	Swivel Joint	
5	251476802637	1	Hose protection at swivel joint	
6	25017408	1	Vibration damper C50x50 M10	
7	14180215-1	1	STORZ Segmented binding 125	
8	13250551	2	Flange gasket NW125 192x141x3mm	
9	20144125	1	Ramus gate-valve w/cylinder DN125 5"	
10	251476802675	1	Outlet pipe from hose reel	



Hose reel

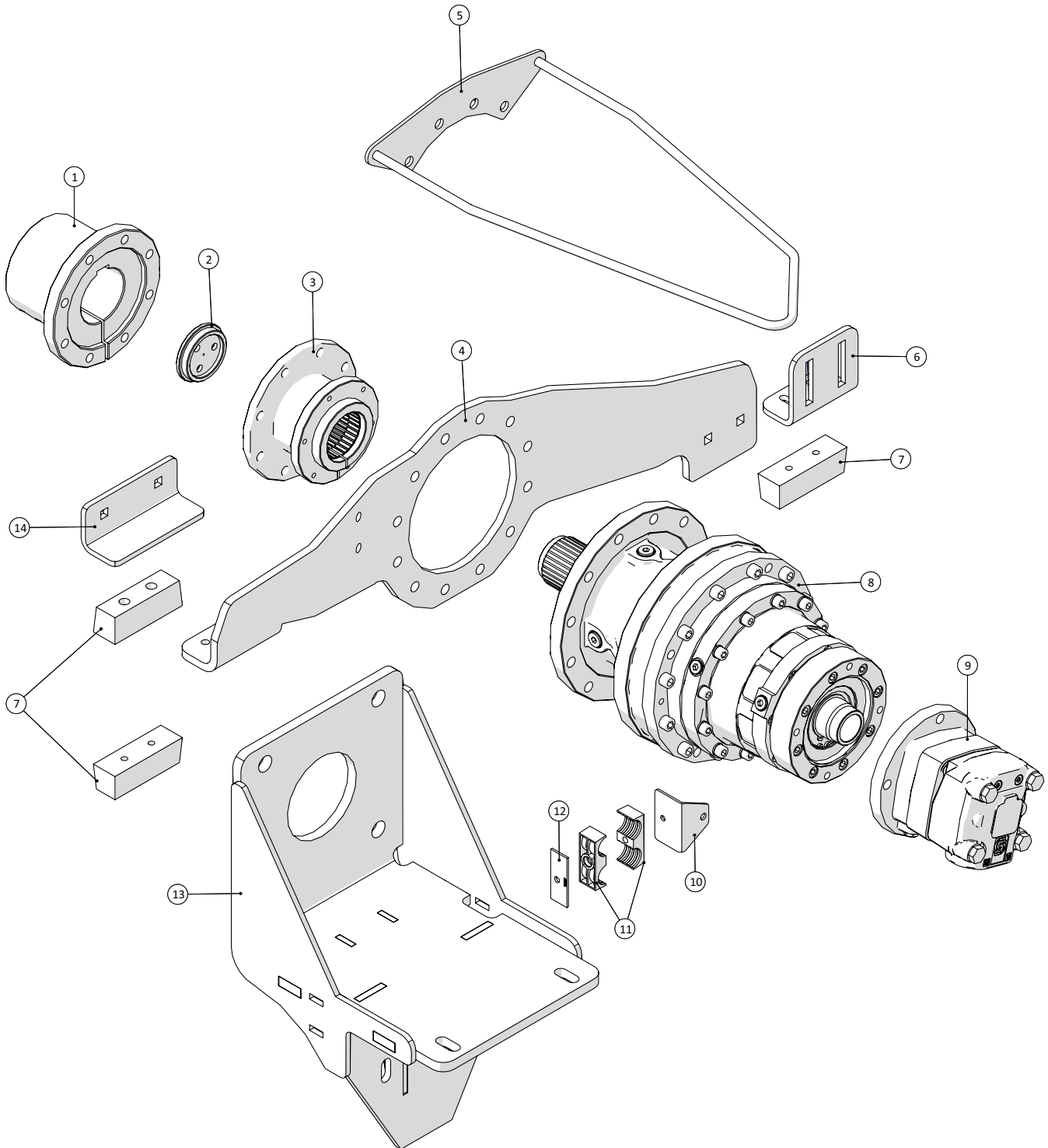


Hose reel

Pos. no.	Item no.	Pcs.	Description	Note
1	251476804669	1	Side panel with hole for handle	
2	251476804668	1	Stainless steel side panel for Hose reel	
3	251476804672	8	1/4 side panel stainless steel	
4	251476802551	2	O-Ring	
5	251476802579	1	Sleeve Bearings	
6	251476802585	1	Plummer Block bearing 150mm	
7		1	Hand wheel for Ramus gate valve	
8	51000028-01	2	STAUFF Clamp Body, single 28mm	
9	251476804340	1	Bracket for gate valve stem	
10	251476802566	1	Handle extension	
11	251476802563	1	Clamping for handle extension	
12	20144130	1	Gate valve DN125 5"	
13	13250545	2	Flange gasket NW100	
14	251476804313	1	Elbow	
15	251476804687	1	Cover for elbow	
16	251476806187	1	Flange gasket	
17	251476804300	1	Assembly for swivel 5" complete	
	251476804301	1	Housing for 5" swivel	
	251476802552	2	Simmering Type R 155x180x15	
	251476802580	3	Glide ring of 5" reel Ø180mm	
	251476804310	1	Washer for 5" swivel	
	251476804305	1	Inner pipe for swivel	
18	251476804325	1	5" Connector for STORZ Segmented binding	
19	14180215-1	2	STORZ Segmented binding 5"	
20	25038015	1	Flange bearing RCJ80	
21	251476804733	1	Reinforcement Beam for hose reel	
22	251476804319	1	Hose reel	
23	251476804330	1	Cover plate with outlet for swivel	
24	251476802577	1	Cover plate	
25	251476802607	1	Cover plate with cutout	
26	251476688440	1	Cover plate	
27	251476646070	4	Cover plate	
28	251476806002	2	Guard front/back	
29	251476805107	2	Brace for side skirts	
30	251476804401	2	Side skirts	



Hose reel engine

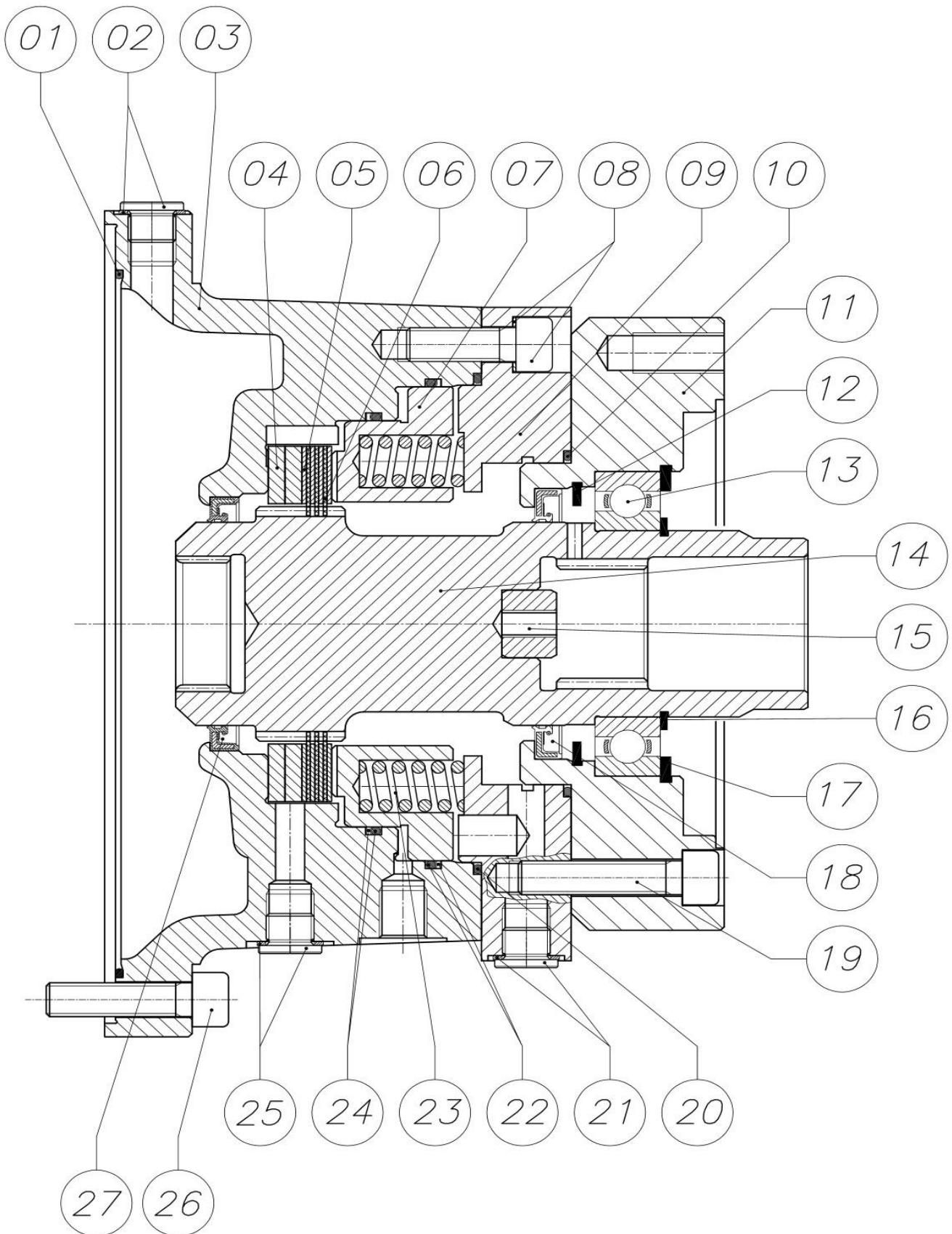


Hose reel engine

Pos. no.	Item no.	Pcs.	Description	Note
1	25031550	1	Hub for reel engine - towards reel	
2	25033493	1	Lock washer	
3	25033491	1	Hub for reel engine - towards engine	
4	251476805476	1	Lever arm for reel engine with gear RE811	
5	251476805598	1	Hose deflector	
6	25032111	1	Angle bracket for lever arm	
7	25038053	3	Rubber Buffer 120x40	
8	25038122	1	PLANET Gear RE811 - R=5,1	
9	1363151B3039	1	Oil Engine OMTS 315	
10	251476806189	1	Bracket for STAUFF	
11	51000130-01	2	STAUFF Clamp Body, double 30mm	
12	51000130-03	1	STAUFF Cover Plate, double 30mm	
13	251476804950	1	Bearing console for hose reel	
14	251476802621	1	Top bracket for lever arm	



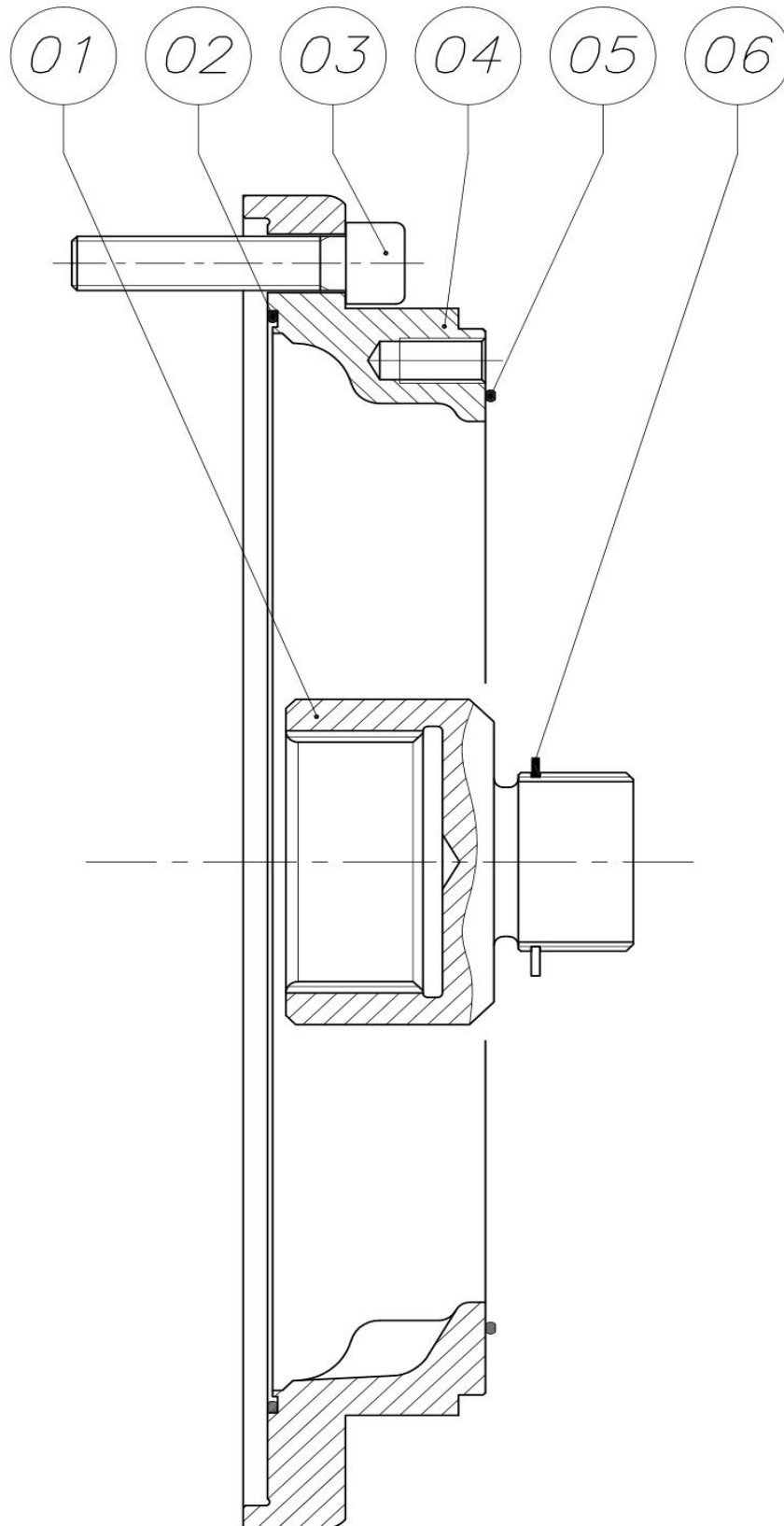
Gearbox - Brake

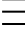


 1 ↓  2 ↓	A-Z	Self-propelled Slurry distributor SDS8000 Model year 2015 - 2018	Date: XX-2019
			47

Gearbox - Brake				
Pos. nr.	Vare nr.	Antal	Beskrivelse	Bemærkning
1	25038136	1	O-ring	
2	25038145	2	Plug	
2	25038146	2	Copper washer	
3	25038147	1	Brake housing	
4				
5	25038148	8	Steel disc brake	
6	25038123	7	Bronze disc	
7	25038124	1	Brake clutch	
8	25038150	8	Screw	
8	25038149	16	Washer	
9	25038151	1	Brake inlet support	
10	25038135	1	O-ring	
11	25038173	1	Flange coupling	
12	25038074	1	Ring for holes	
13	193006011	1	Ball bearing	
14	25038174	1	Motor coupling	
15	25038175	1	Drive unit	
16	25038140	1	Locking ring	
17	25038142	1	Locking ring	
18	29038076	1	Sealing ring	
19	25038176	8	Screw	
20	25038127	1	O-ring	
21	25038145-5	2	Plug	
21	25038146	2	Copper disc	
22	25038127	1	O-ring	
22	25038154	1	Anti-ex	
23	25038129	13	Bremsefjeder	
24	25038143	1	O-ring	
24	25038131	1	Anti-extrusion	
25	25038145	1	Plug	
25	25038146	1	Copper disc	
26	25038177	12	Screw	
26	25038178	12	Locing disc	
27	25038132	1	Cable gland	

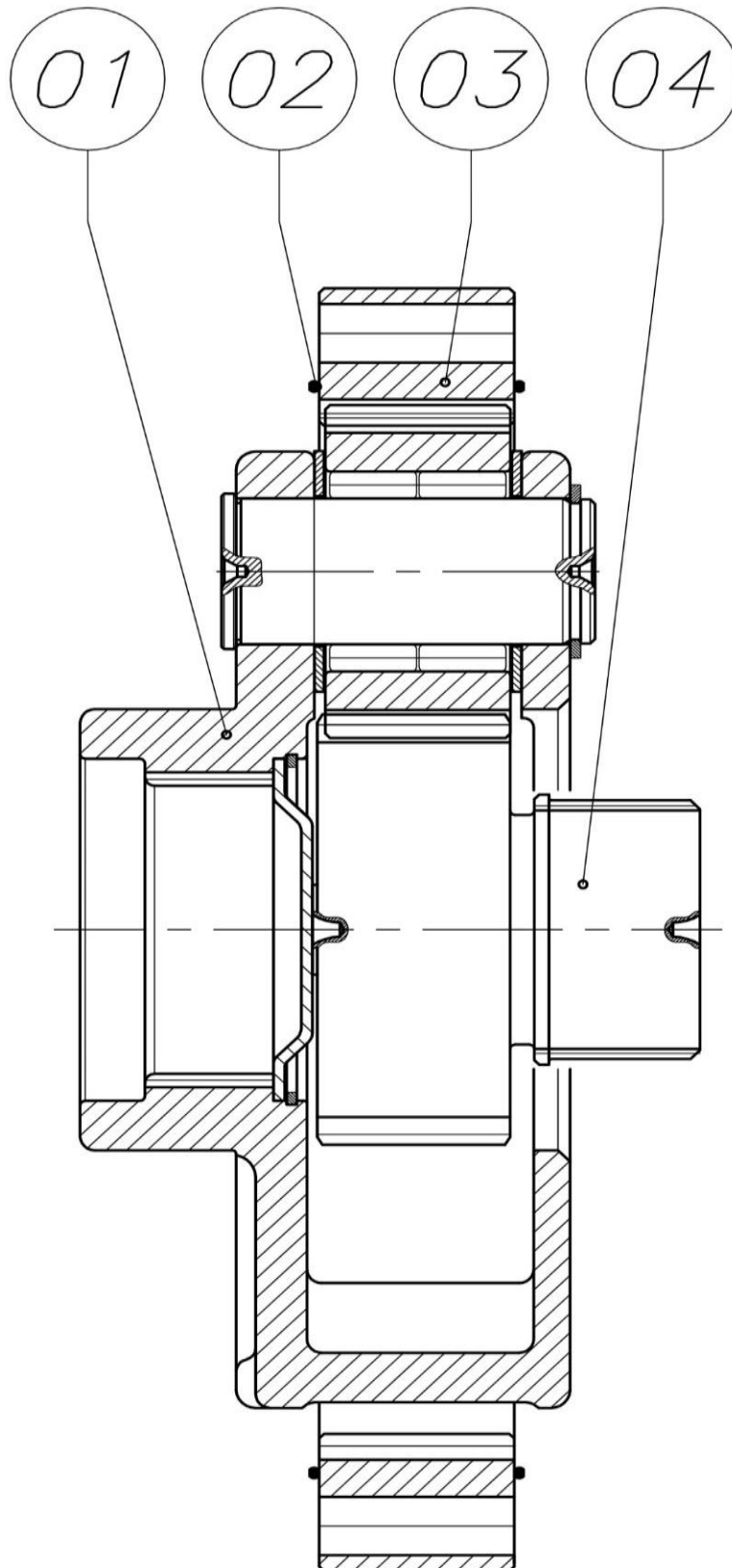
Brake - Flange


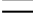


 1 ↓  2 ↓	A-Z	Self-propelled Slurry distributor SDS8000 Model year 2015 - 2018	Date: XX-2019
			49

Brake - Flange				
Pos. no.	Item no.	Pcs.	Description	Note
1	25038172	1	Connection coupling	
2	25038163	1	O-ring seal	
3	13268512075	12	Screw	
4	25038173	1	Connection flange	
5	25038136	1	O-ring seal	
6	15140037610040	1	Locking ring	

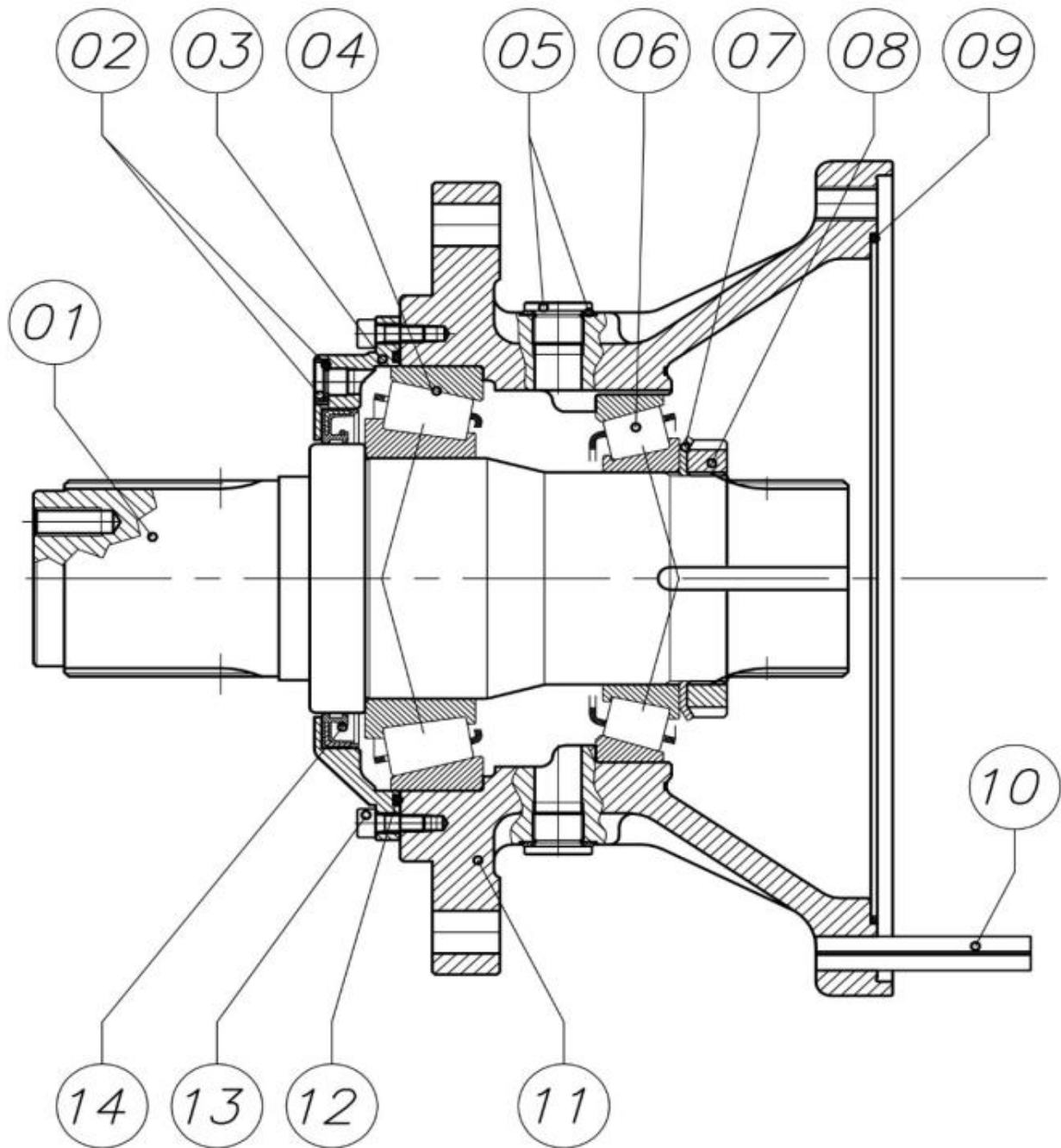
Brake - Gear set



 1 ↓  2 ↓ A-Z	Self-propelled Slurry distributor SDS8000 Model year 2015 - 2018	Date: XX-2019
		51

Brake - Gear set				
Pos. no.	Item no.	Pcs.	Description	Note
1	25038169	1	Gear	
2	25038163	2	Pakning	
3	25038170	1	Ringgear	
4	25038171	1	Solar gear	

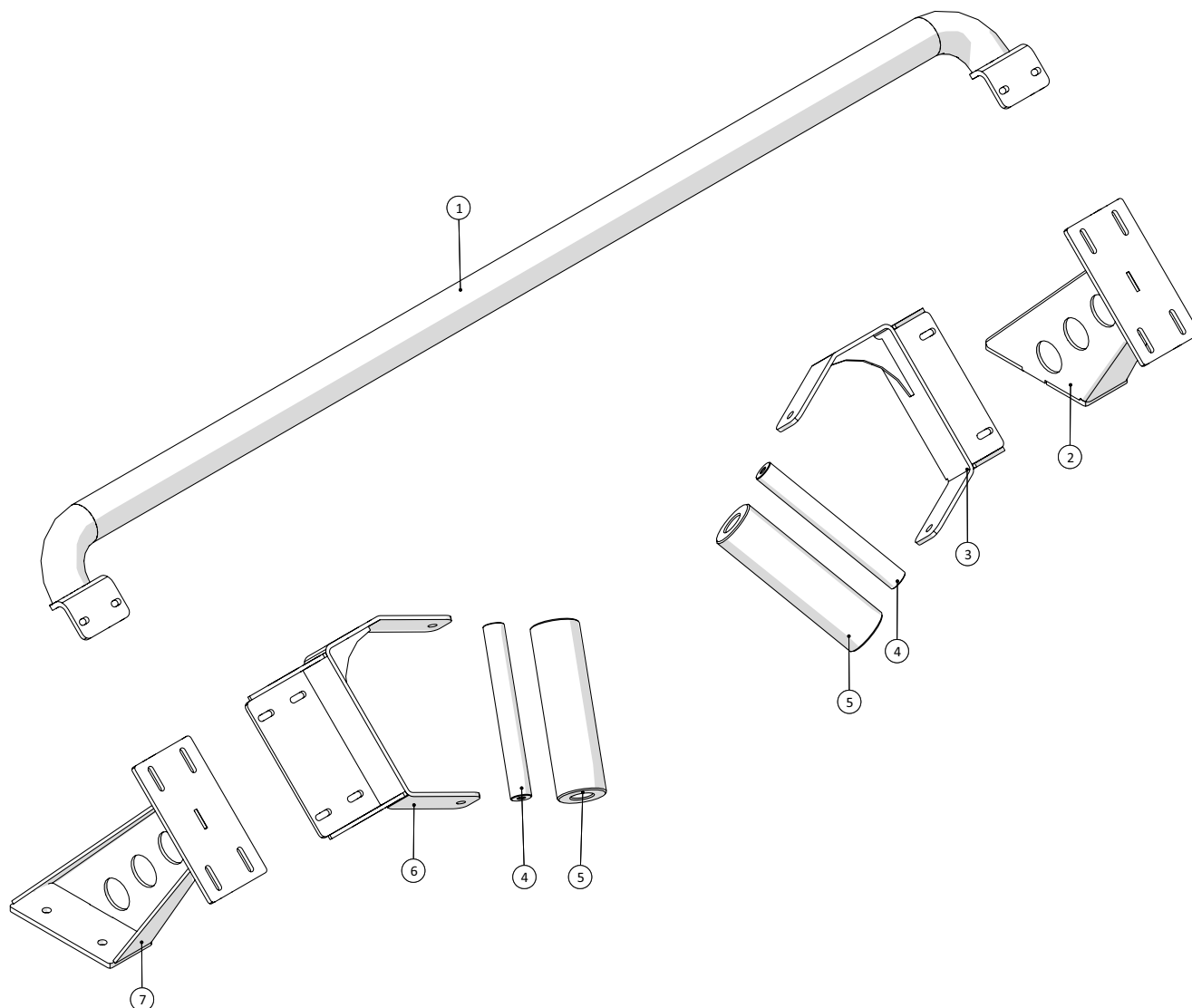
Brake - Output support



 1 ↓ 2 ↓	A-Z	Self-propelled Slurry distributor SDS8000 Model year 2015 - 2018	Date: XX-2019
			53

Brake - Output support				
Pos. nr.	Vare nr.	Antal	Beskrivelse	Bemærkning
1	25038141	1	Shaft	
2	25038156	1	Plug	
2	25038157	1	Copper disc	
3	25038158	1	Cover	
4	193032217	1	Bearing	
5	25038159	4	Oil plug	
5	25038160	4	Copper disc	
6	193030215	1	Bearing	
7	25038161	1	Washer	
8	25038162	1	Nut	
9	25038163	1	Gasket	
10	25038164	4	Spring pin	
11	25038165	1	Housing	
12	25038166	1	O-ring gasket	
13	25038168	6	Screw	
14	25038167	1	Sealing ring	

Hose deflector



≡ 1 ↓
≡ 2 ↓

A-Z

Self-propelled Slurry distributor SDS8000
Model year 2015 - 2018

Date: 15/9-2016

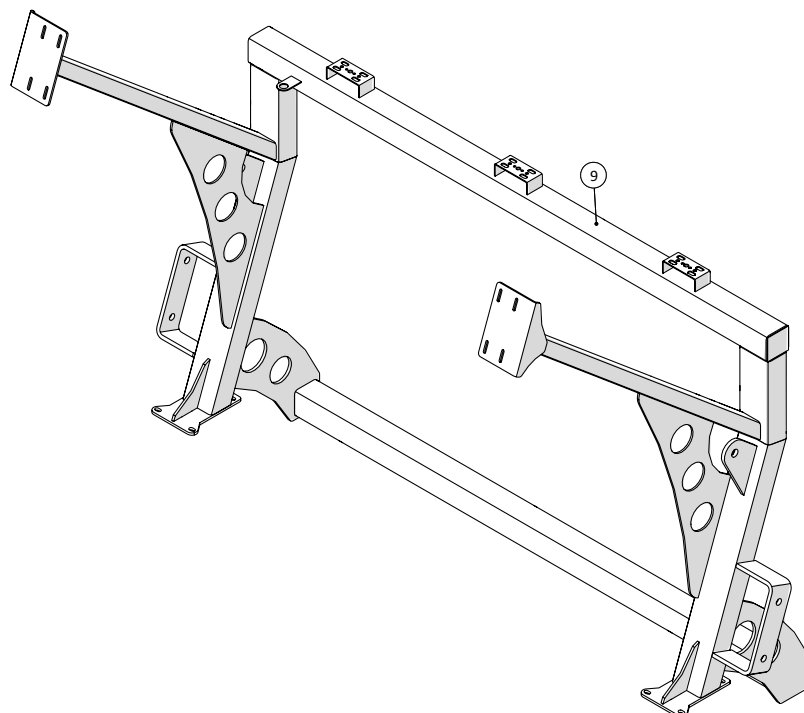
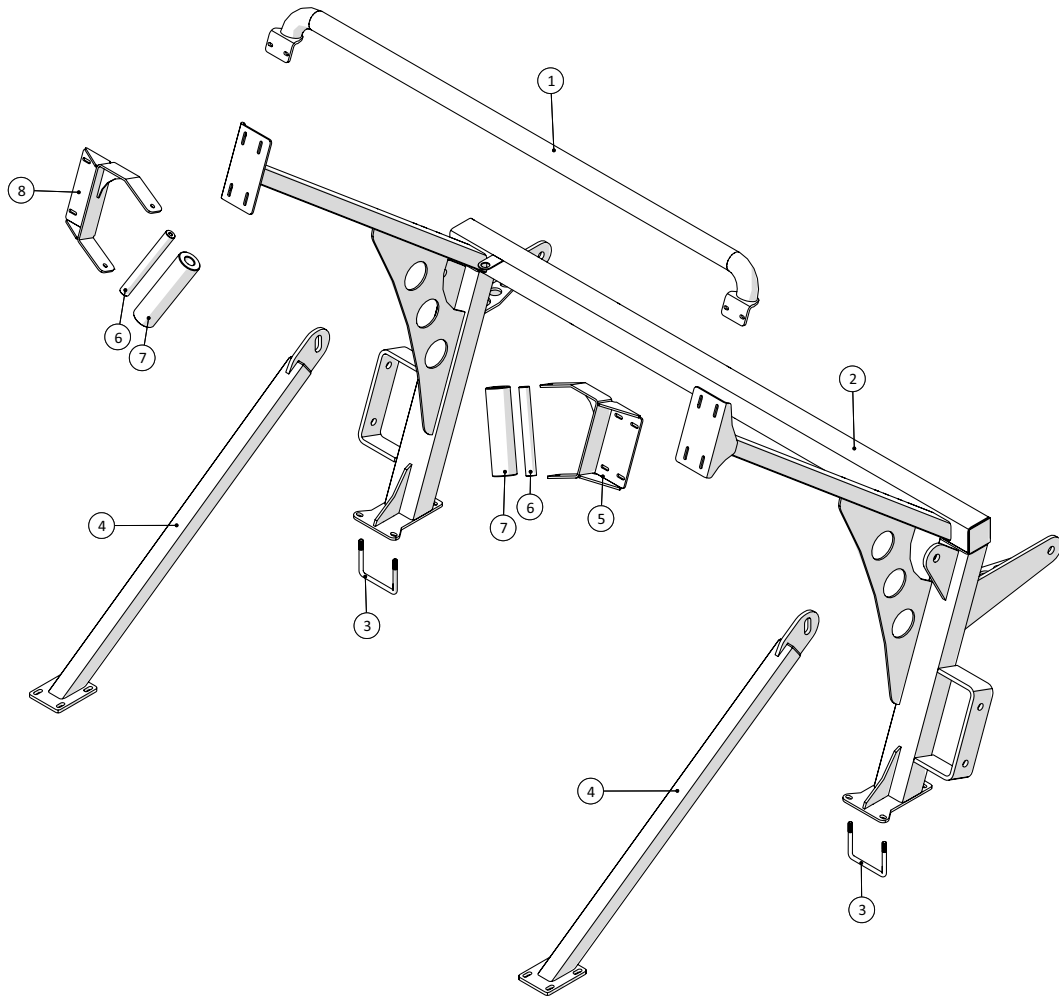
46

Hose deflector

Pos. no.	Item no.	Pcs.	Description	Note
1	251476805463	1	Crossbar	
2	251476805613	1	Right bracket front deflectorbracket	
3	251476802647	1	Bracket for left roller	
4	251476802409	2	Shaft for guide roller	
5	251476802643	2	Roller for side hose guide	
6	251476802653	1	Bracket for right roller	
7	251476805612	1	Left bracket front deflectorbracket	



Frame for hose guide



≡ 1 ↓
≡ 2 ↓

A-Z

Self-propelled Slurry distributor SDS8000
Model year 2015 - 2018

Date: 15/9-2016

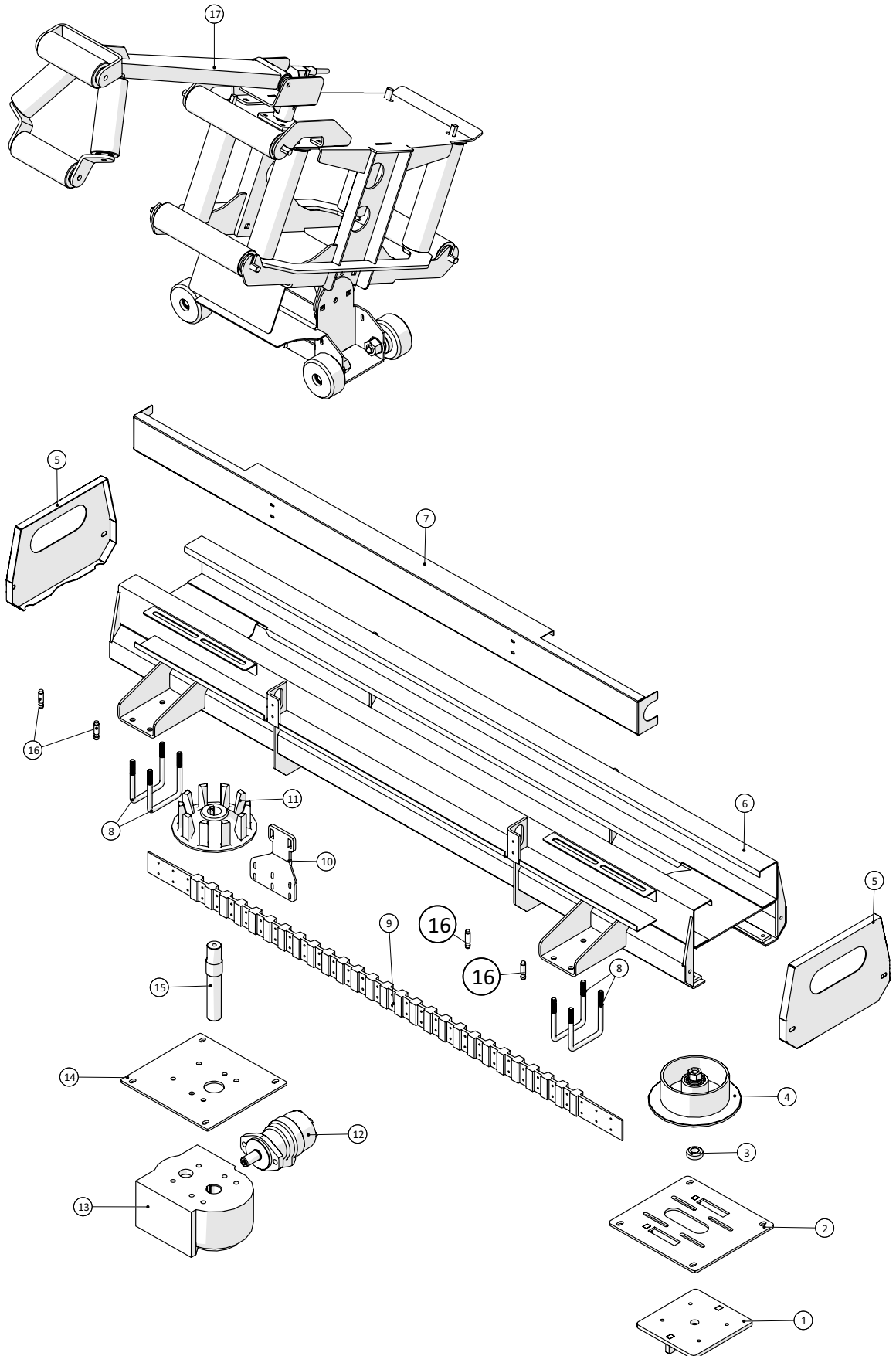
47

Frame for hose guide

Pos. no.	Item no.	Pcs.	Description	Note
1	251476805463	1	Crossbar	
2	251476805019	1	Frame for hose guide	For crane
3	251476634940	2	U-bolt	
4	251476805366	2	Cross brace for hose guide frame	
5	251476802647	1	Bracket for left roller	
6	251476802409	2	Shaft for guide roller	
7	251476802643	2	Roller for side hose guide	
8	251476802653	1	Bracket for right roller	
9	251476805645	1	Frame for hose guide	For drawbar



Hydraulic hose guide

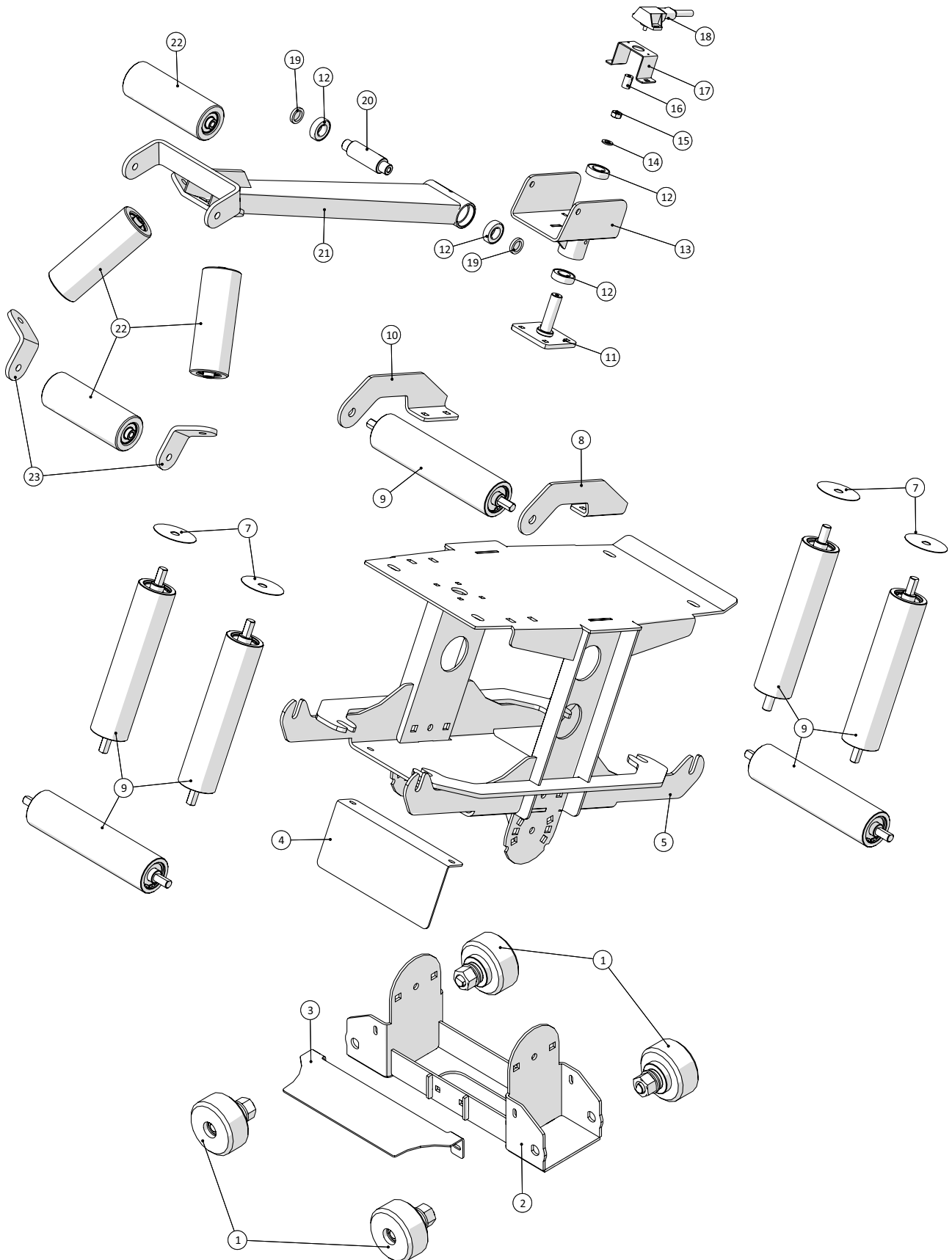


Hydraulic hose guide

Pos. no.	Item no.	Pcs.	Description	Note
1	251476805272	1	Tensioner plate for hydraulic hose guide	
2	251476805287	1	Mounting plate for tension roller	
3	251476805358	1	Spacer	
4	2514853972	1	Roller complete	
5	251476805282	2	Cover for hydraulic hose guide	
6	251476805266	1	Frame for hose guide	
7	251476805458	1	Cover for cable tray	
8	251476805286	4	U-bolt for 90x90 profile	
9	251476805359	1	Rubber Chain for hose guide	
10	251476805626	1	Bracket for hydraulic hose guide	
11	2514853973	1	Drive wheel	
12	251413718700	1	DANFOSS motor OMR 160	
13	2514853970	1	Gearbox RT160 - 8,4:1 150daNm	
14	251476805284	1	Plate for gear suspension	
15	251476805357	1	Shaft for drive wheel	
16	25030016	4	Inductive sensor - digital	
17	251476805630	1	Housing for hydraulic hose guide	



Hydraulic hose guide - Housing

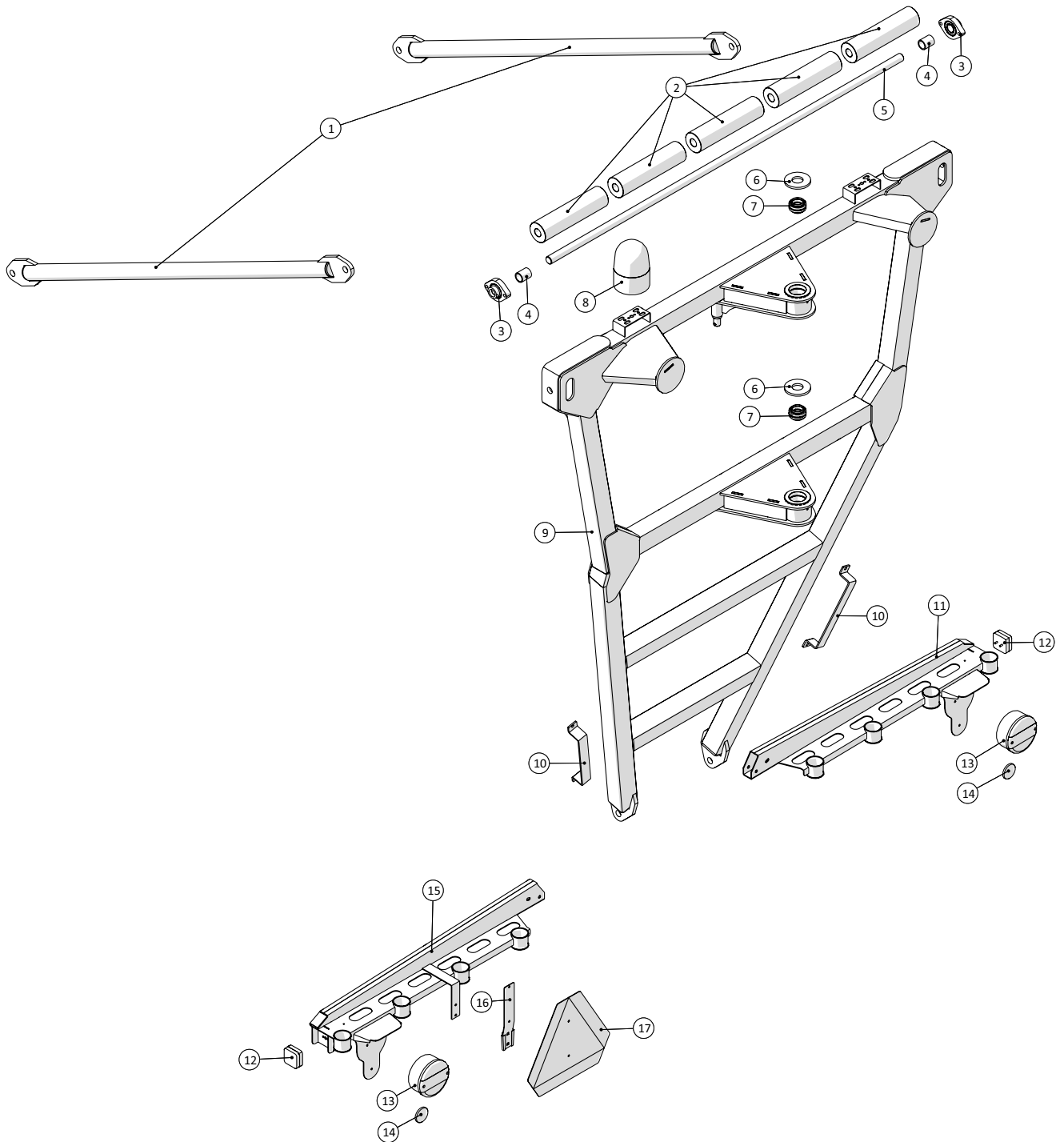


Hydraulic hose guide - Housing

Pos. no.	Item no.	Pcs.	Description	Note
1	251476805472	4	Nylon Roller cpl.	
	251476805473	1	Pin	
	251476805474	1	Nylon Roller	
	19300620302	2	Ball Bearing 6203-2RS	
	15140037610017	2	Retaining ring A17	
	151437600040	1	Retaining ring J40	
	251476805356	1	Distance washer	
	1930912	1	Washer M24	
	1930810	1	Locking nut M24	
2	251476805634	1	Trolley for hydraulic hose guide	
3	251476805636	1	Sensor bracket for hose guide trolley	
4	251476805640	1	Splash plate for hose guide	
5	251476805631	1	Housing	
7	251476805641	4	Protective washer for vertical roller	
8	251476805448	1	Bracket for upper horizontal roller	
9	25033170	7	Horizontal nylon roller, complete	
	25033171	1	Horizontal nylon roller	
	251476648560	1	Tap for tension roller	
	2514500798	2	Ball Bearing 6205-2RS	
	251476620650	2	Washer	
	2514932252	2	Retaining ring J52	
10	251476805449	1	Bracket for upper horizontal roller	
11	251476805454	1	Pin for guide arm	
12	19300600402	4	Ball bearing 6004 2RS	
13	251476805202	1	Mounting bracket for lever	
14		1	Washer DIN125B ELFZ. 20mm	
15		1	Nut DIN934 M10	
16	25017560	1	Coupling E6C	
17	251476805452	1	Bracket for angle sensor	
18	1229120111	1	Angle Sensor 424A11A070B 4-20mA	
19	251476805355	2	Distance washer for lever	
20	251476805354	1	Pin	
21	251476805197	1	Guide arm	
22	251476805456	4	Roller for guide arm, complete	
	251476805457	1	Roller for guide arm	
	251476805353	1	Shaft for roller	
	1531GI1052	2	Ball bearing 6004 2RS	
23	251476805290	2	Bracket for roller	



Crane - Mounting frame

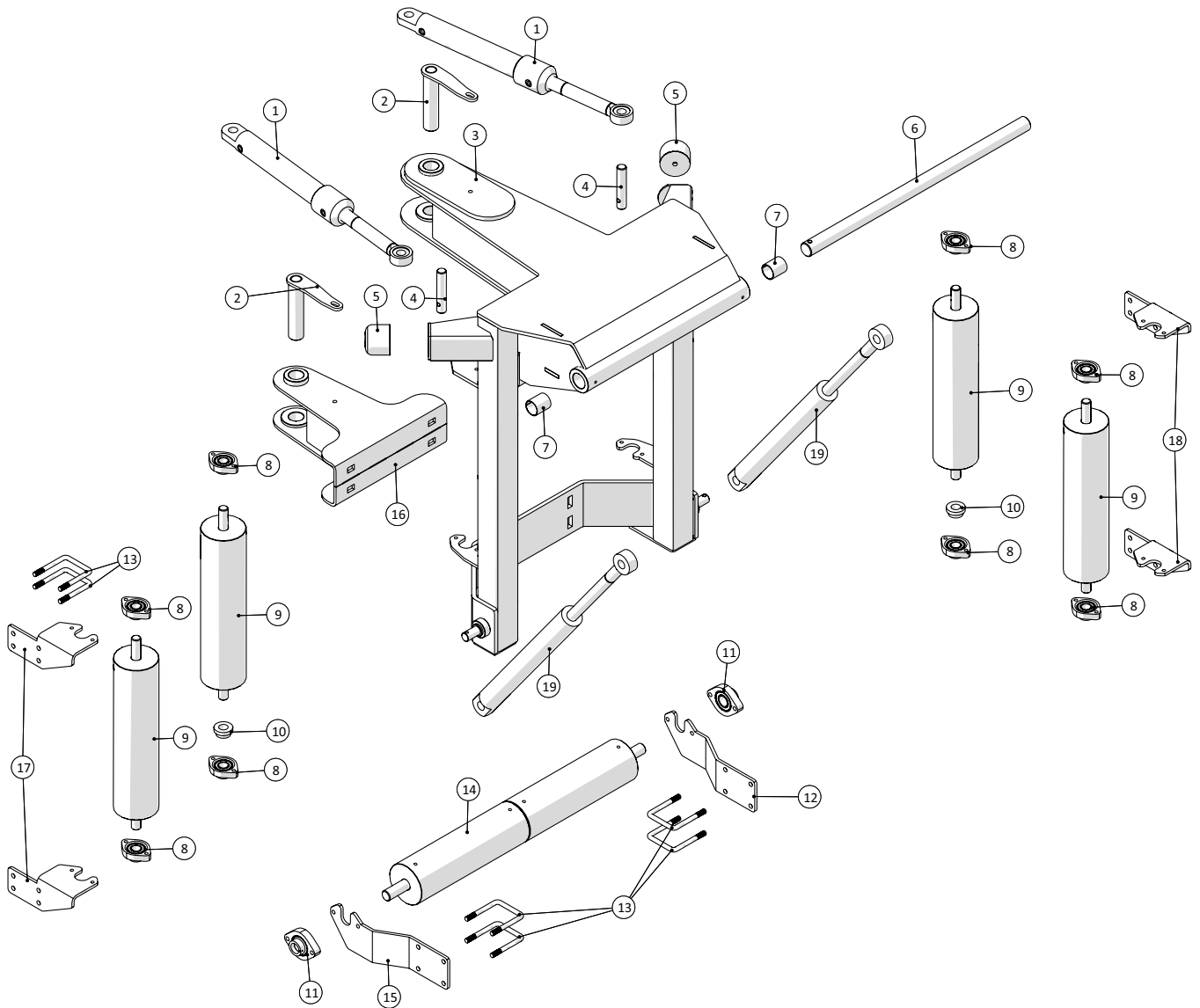


Crane - Mounting frame

Pos. no.	Item no.	Pcs.	Description	Note
1	251476805142	2	Crossbar for mounting frame	
2	251476805332	5	Roller	
3	19312230	2	Flangebearing GLCTE30	
4	251476805333	2	Spacer	
5	251476805331	1	Shaft for 5 rollers	
6	251476805209	2	Washer	
7	2514853950	2	Radial bearing Ø40	
8	1229140010	1	Rotary beacon 24V	
9	251476805339	1	Mounting frame	
10	251476805514	2	Hose bracket	
11	251476805530	1	Hose rack, right	
12		2	Side marker yellow	
13	1229140075	2	Tail light Stop / blink	
14	25102055	2	Red reflex ø60	
15	251476805520	1	Hose rack, left	
16	20141021	1	Bracket for warning triangle	
17	20141020	1	Warning triangle wo/brackets	



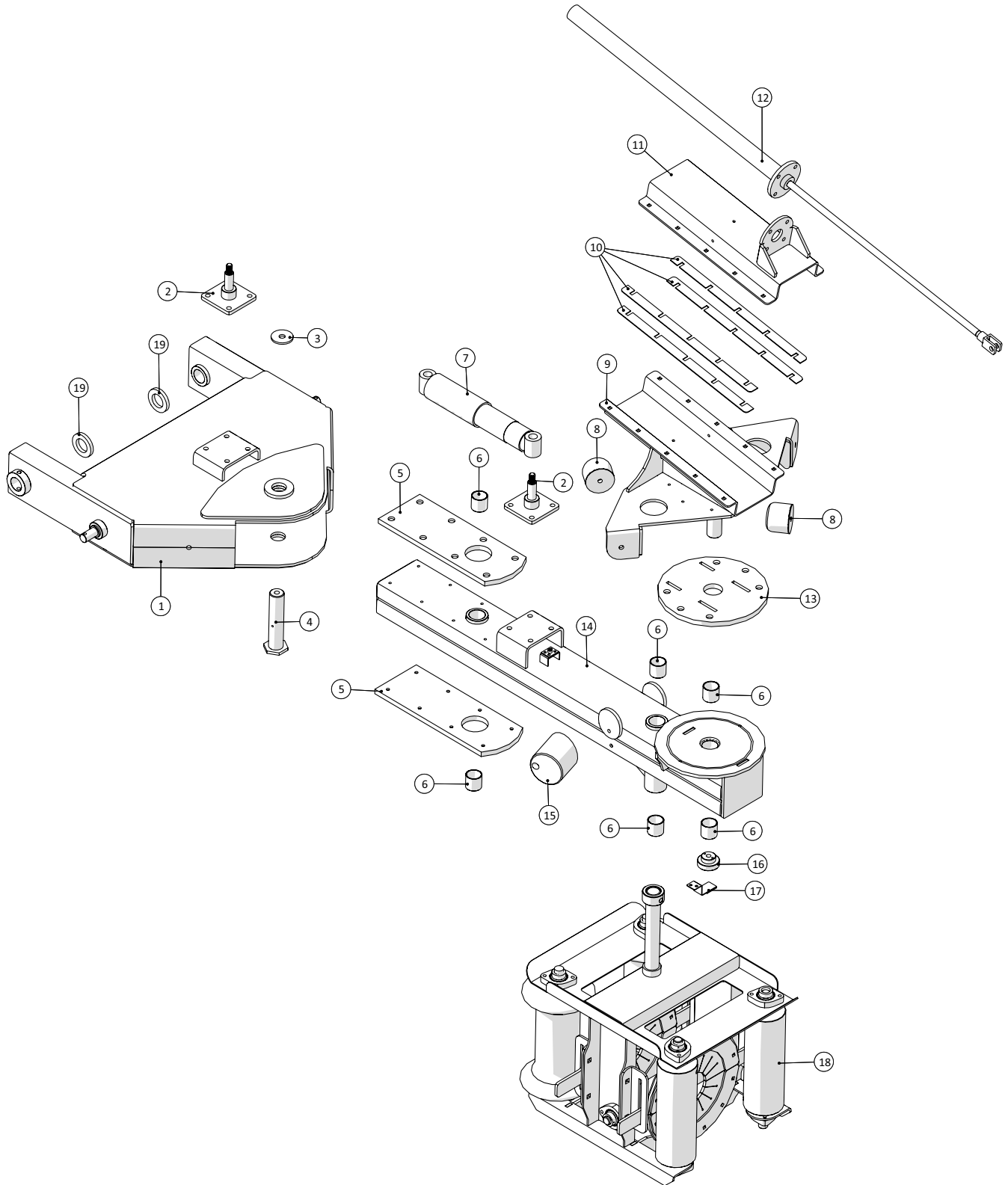
Crane - Inner swivel joint



Crane - Inner swivel joint				
Pos. no.	Item no.	Pcs.	Description	Note
1	2514850098	2	Cylinder for lateral deviation	
2	251476805225	2	Pin for Inner swivel joint	
3	251476805219	1	Inner swivel joint	
4	251476805223	2	Pin for cylinder	
5	25032006	2	Vibration damper GP-1l 80x63	
6	251476805224	1	Shaft for fork head	
7	1513820125	2	Bushing $\varnothing 40 \times \varnothing 44 \times 50$	
8	19312225	4	Flangebearing GLCTE25	
9	25033330	2	Vertical roller $\varnothing 120 \text{mm cpl.}$	
	25033329	1	Vertical roller $\varnothing 120 \text{mm}$	
	25033332	1	Shaft for vertical roller	
10	251476805432	2	Distance bushing for vertical roller	
11	19312230	2	Flangebearing GLCTE30	
12	251476805300	1	Bracket for horizontal roller	
13	151377801073	4	U-bolt	
14	251476805297	1	Wide horizontal roller	
	251476805298	2	Roller for wide horizontal roller	
	251476805299	1	Shaft for wide horizontal roller	
15	251476805218	1	Bracket for horizontal roller	
16	251476805214	1	Lower bracket for inner swivel joint	
17	251476805656	2	Bracket for vertical roller	
18	251476805657	2	Bracket for vertical roller	
19	2514850971	2	Cylinder for crane lift	



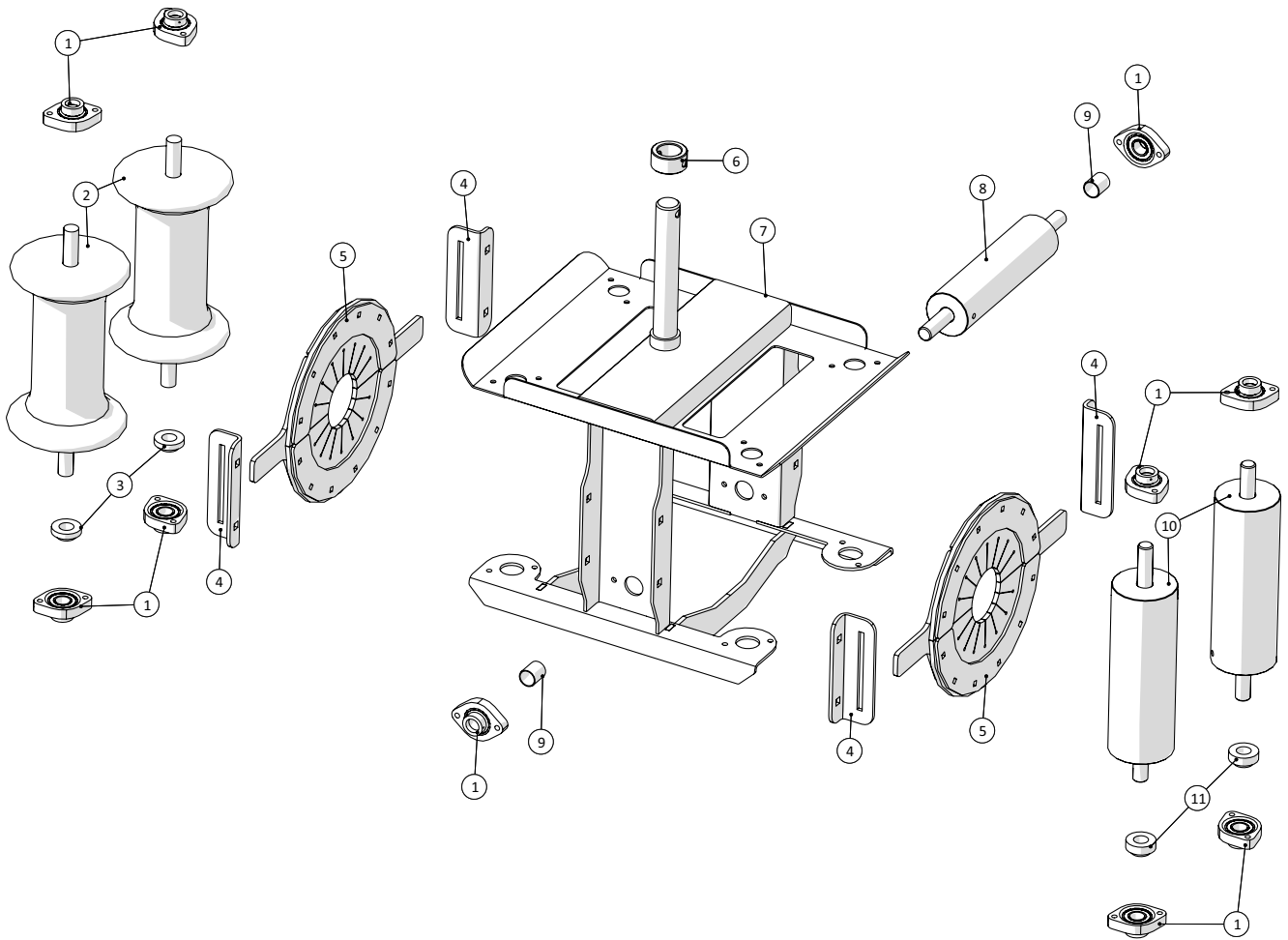
Crane - Middle swivel



Crane - Middle swivel

Pos. no.	Item no.	Pcs.	Description	Note
1	251476805147	1	Inner part for middle swivel joint	
2	251476805321	2	Bracket for shock absorber	
3	251476805330	1	Spacer	
4	251476805337	1	Pin for middle swivel	
5	251476805313	2	Plate for middle swivel	
6	1513820124	6	Bushing $\varnothing 40 \times \varnothing 44 \times 40$	
7	25032008	1	Shock absorber	
8	25032006	2	Vibration damper GP-1I 80x63	
9	251476805134	1	Console for inlet	
10	251476805338	4	Spacer for console	
11	251476805314	1	Top for console	
12	2514850970	1	Cylinder for crane extension	
13	251476805425	1	Plate for console	
14	251476803680	1	Middle swivel joint	
15	251476805672	1	Spacer	
16	251476803634	1	Bushing for console	
17	251476805547	1	Bracket for hose clamp	
18	251476803619	1	Hose guide cpl.	
19	251476803720	2	Spacer	

Crane - Hose guide

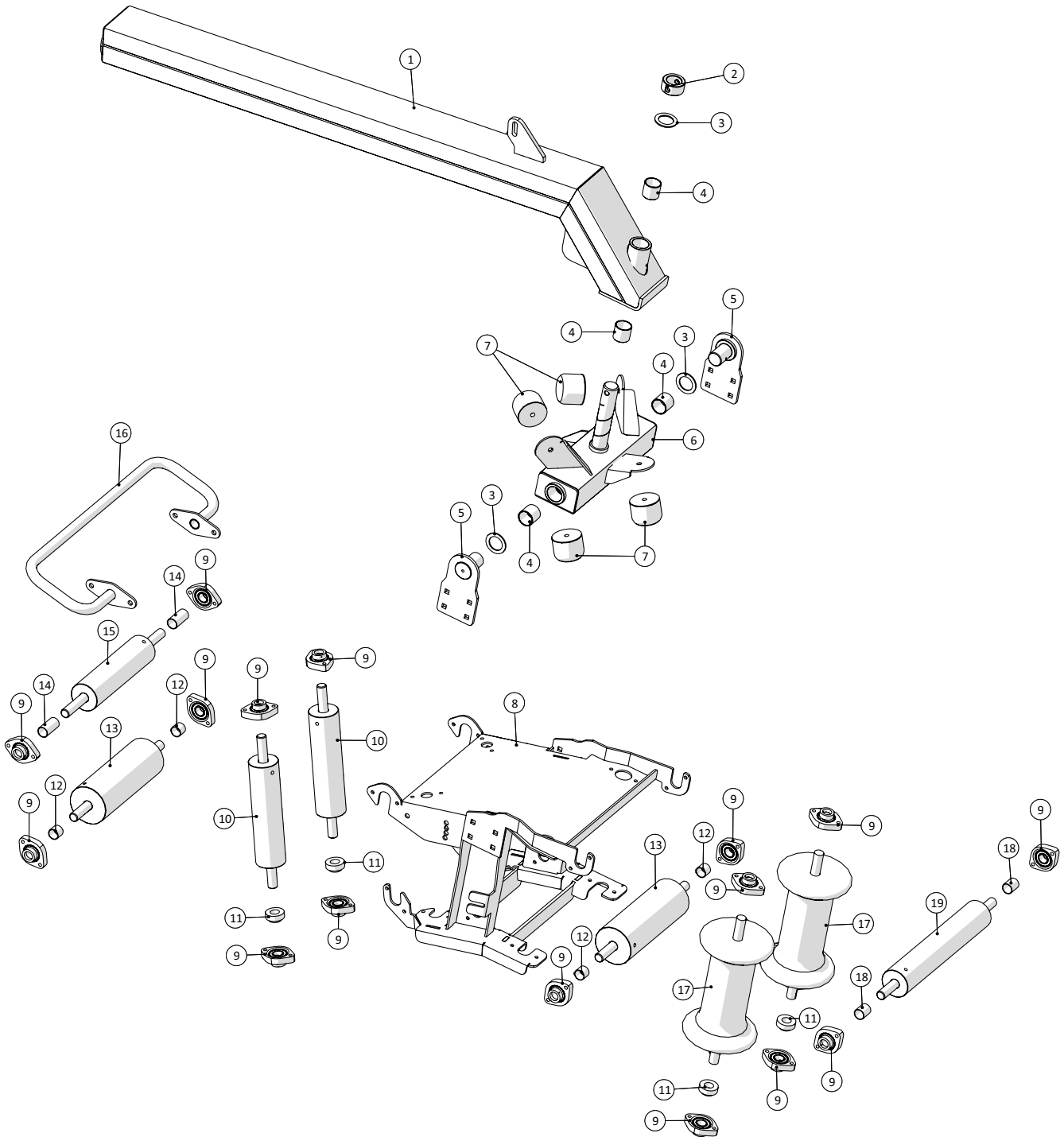


Crane - Hose guide

Pos. no.	Item no.	Pcs.	Description	Note
	251476803619	1	Hose guide cpl.	
1	19312225	10	Flangebearing GLCTE25	
2	251476803677	2	Inlet Roller cpl.	
	251476803679	1	Inlet Roller	
	251476803678	1	Shaft for inlet roller	
3	251476805431	2	Distance bushing	
4	251476805429	4	Bracket for scraper	
5	25033127	2	Scrapers	
	25033133	2	Clamping plate for rubber scraper	
	25033130	2	Rubber scraper	
	25033128	1	Bracket for rubber scraper	
	25033136	1	Spacer for scraper	
6	251476803631	1	Stop ring	
7	251476803620	1	Hose guide	
8	251476803670	1	Vertical roller complete	
	251476803318	1	Vertical roller	
	251476803671	1	Shaft for vertical roller	
9	251476805428	2	Spacer	
10	251476806242	2	Vertical roller Ø110 cpl.	
	251476806243	1	Vertical roller Ø110	
	251476803671	1	Shaft for vertical roller	
11	251476806244	2	Distance bushing for vertical roller Ø110	



Crane - Inlet

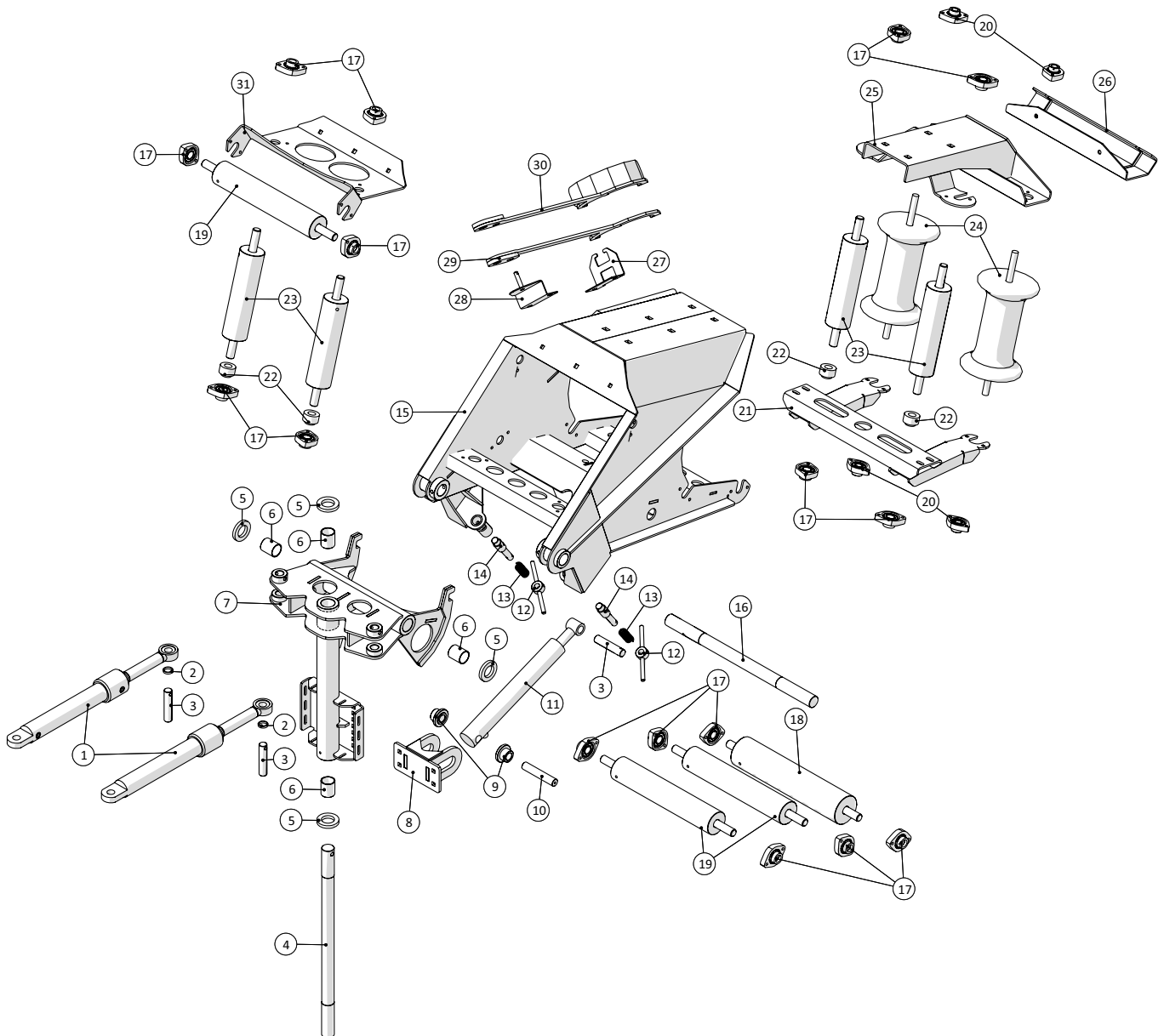


Crane - Inlet

Pos. no.	Item no.	Pcs.	Description	Note
1	251476805975	1	Arm for inlet	
2	251476803631	1	Stop ring	
3	251476805969	3	Washer	
4	1513820124	4	Bushing $\varnothing 40 \times \varnothing 44 \times 40$	
5	251476805416	2	Mounting bracket for Inlet swivel	
6	251476805410	1	Inlet swivel joint	
7	25032006	4	Vibration damper GP-1l 80x63	
8	251476805965	1	Inlet housing	
9	19312225	16	Flangebearing GLCTE25	
10	251476803670	2	Vertical roller complete	
	251476803318	1	Vertical roller	
	251476803671	1	Shaft for vertical roller	
11	251476806244	4	Distance bushing for vertical roller $\varnothing 110$	
12	251476805955	4	Spacer for lower horizontal roller	
13	251476805872	2	Horizontal roller $\varnothing 110$ cpl.	
	251476805871	1	Horizontal roller $\varnothing 110$	
	251476803671	1	Shaft for vertical roller	
14	251476805956	2	Spacer for inner horizontal roller	
15	251476806530	1	Upper horizontal roller cpl.	
	251476803318	1	Horizontal roller	
	251476803673	1	Shaft for horizontal roller	
16	251476805993	1	Deflektor	
17	251476803677	2	Inlet Roller cpl.	
	251476803679	1	Inlet Roller	
	251476803678	1	Shaft for inlet roller	
18	251476805428	2	Spacer	
19	251476803674	1	Wide horizontal roller $\varnothing 80$ cpl.	
	251476803676	1	Nylon roller horizontal $\varnothing 80$	
	251476803675	1	Shaft for horizontal roller	



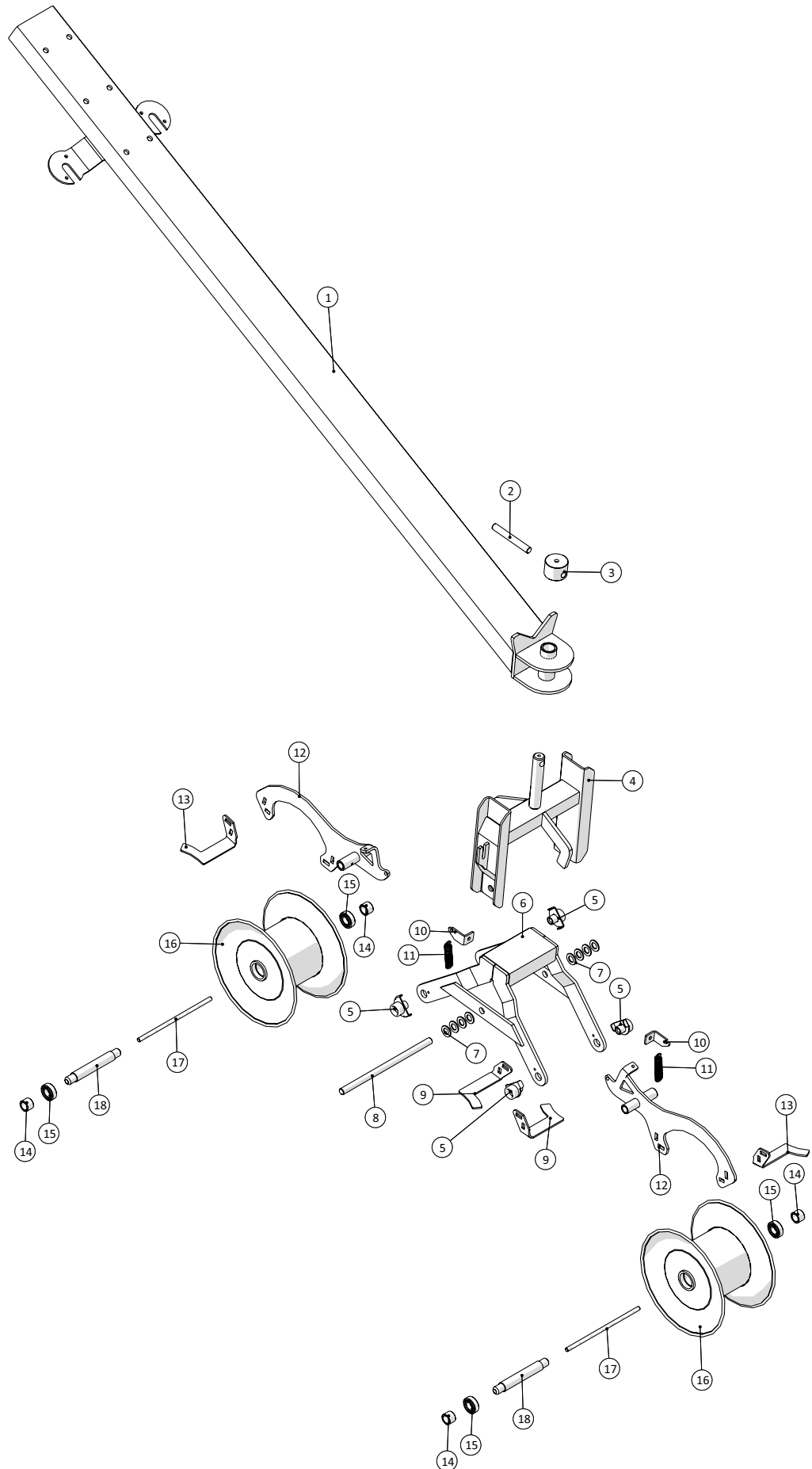
Hose inlet



Hose inlet

Pos. no.	Item no.	Pcs.	Description	Note
1	2514850098	2	Cylinder for lateral deviation	
	2514850098-1	4	Joint eye for cylinder	
2	251476801232	2	Stop ring	
3	251476803719	3	Pin	
4	251476803315	1	Center Shaft	
5	251476803720	4	Spacer	
6	1513820125	4	Bushing $\varnothing 40 \times \varnothing 44 \times 50$	
7	251476803603	1	Swivel	
8	251476803709	1	Cylinder bracket, lower	
9	251476803669	2	Bushing for cylinder	
10	251476803683	1	Cylinder pin, lower	
11	25038021	1	Cylinder	
12	151377700690	2	Wheel Coupling	
13	1513820112	2	Pressure spring	
14	151377700680	2	Pin	
15	251476803602	1	Housing	
16	251476803327	1	Shaft for crane suspension	
17	19312225	16	Flangebearing GLCTE25	
18	251476805610	1	Wide horizontal roller $\varnothing 100$ cpl.	
	251476805611	1	Nylon roller horizontal $\varnothing 100$	
	251476803675	1	Shaft for horizontal roller	
19	251476803674	3	Wide horizontal roller $\varnothing 80$ cpl.	
	251476803676	1	Nylon roller horizontal $\varnothing 80$	
	251476803675	1	Shaft for horizontal roller	
20	19312224	4	Ball bearing oval 9CJ	
21	251476804521	1	Bottom for maize equipment	
22	251476803702	4	Distance bushing for vertical roller	
23	251476803670	4	Vertical roller complete	
	251476803318	1	Vertical roller	
	251476803671	1	Shaft for vertical roller	
24	25032834	2	Inlet Roller cpl.	
	25032835	1	Inlet Roller	
	25032836	1	Shaft for inlet roller	
25	251476804526	1	Top for maize equipment	
26	251476804532	1	Chain bracket for check valve	
27	251476804536	1	Bracket for STORZ wrench	
28	251476804537	1	Bracket for STORZ wrench	
29	25032474	1	STORZ wrench without cover	
30	25032475	1	STORZ wrench with cover	
31	251476805651	1	Bracket for front rollers	

Guide arm

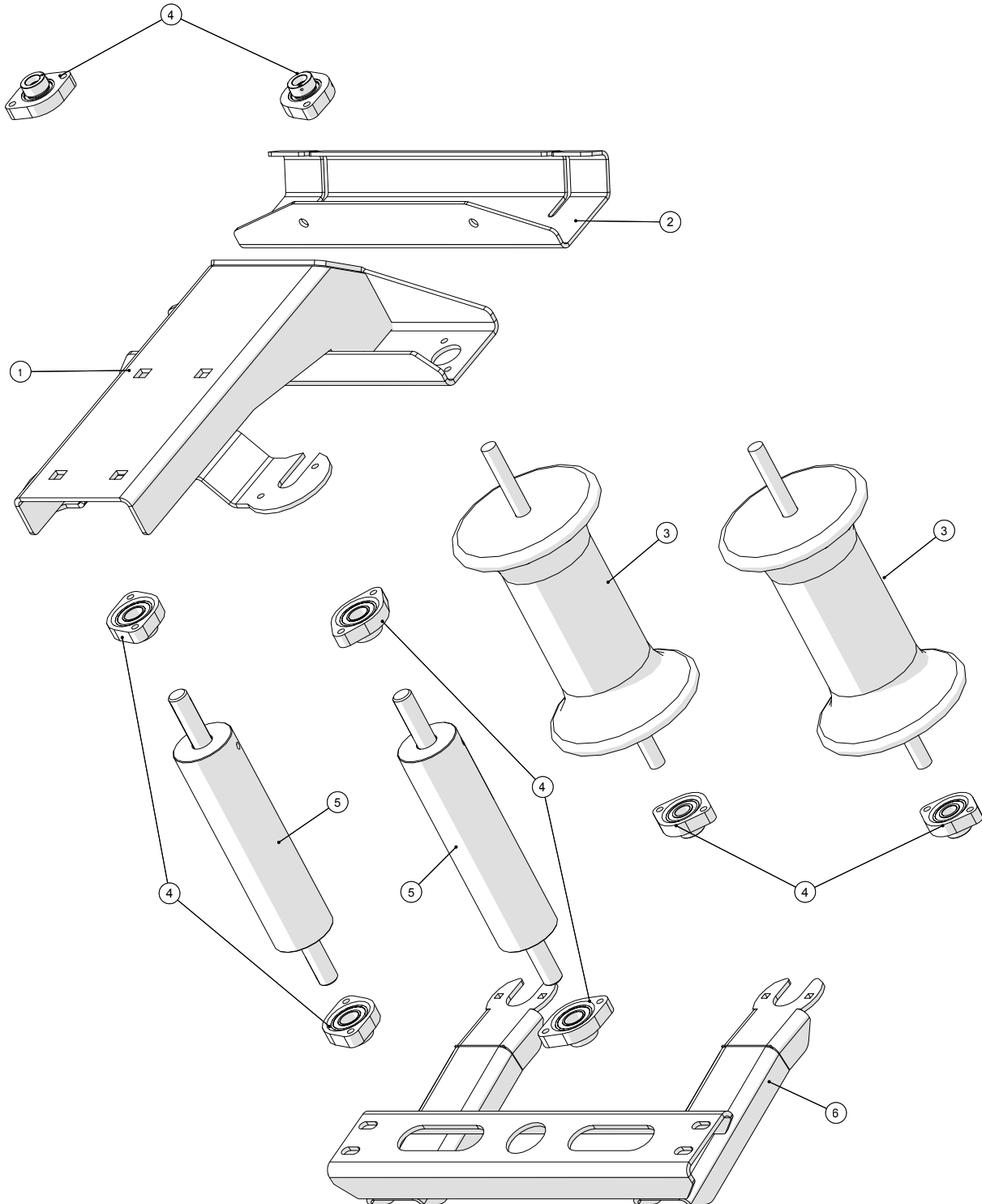


Guide arm

Pos. no.	Item no.	Pcs.	Description	Note
1	251476803685	1	Drawbar	
2	251476803690	1	Centering pin for hose trolley	
3	251476804577	1	Support ring for hose trolley on drawbar	
4	251476804465	1	Suspension for hose trolley	
5	251476802498	4	Lock for hose trolley	
6	251476330420	1	Bracket	
7		8	Washer DIN125B	
8	251476803682	1	Shaft for for hose trolley	
9	251476802454	2	Scraper for inlet roller	
10	251476802486	2	Bracket for spring	
11	1514004222110	2	Spring	
12	251476802449	2	Holder for scrapers	
13	251476802452	2	Scraper for inlet roller	
14	251476802495	4	Distancebush for inlet roller	
15	19300620502	4	Ball Bearing 6205-2RS	
16	251476330973	2	Hose reel 5"	
17	251476803739	2	Bolt for roller	
18	251476802494	2	Shaft for inlet roller	



Maize equipment

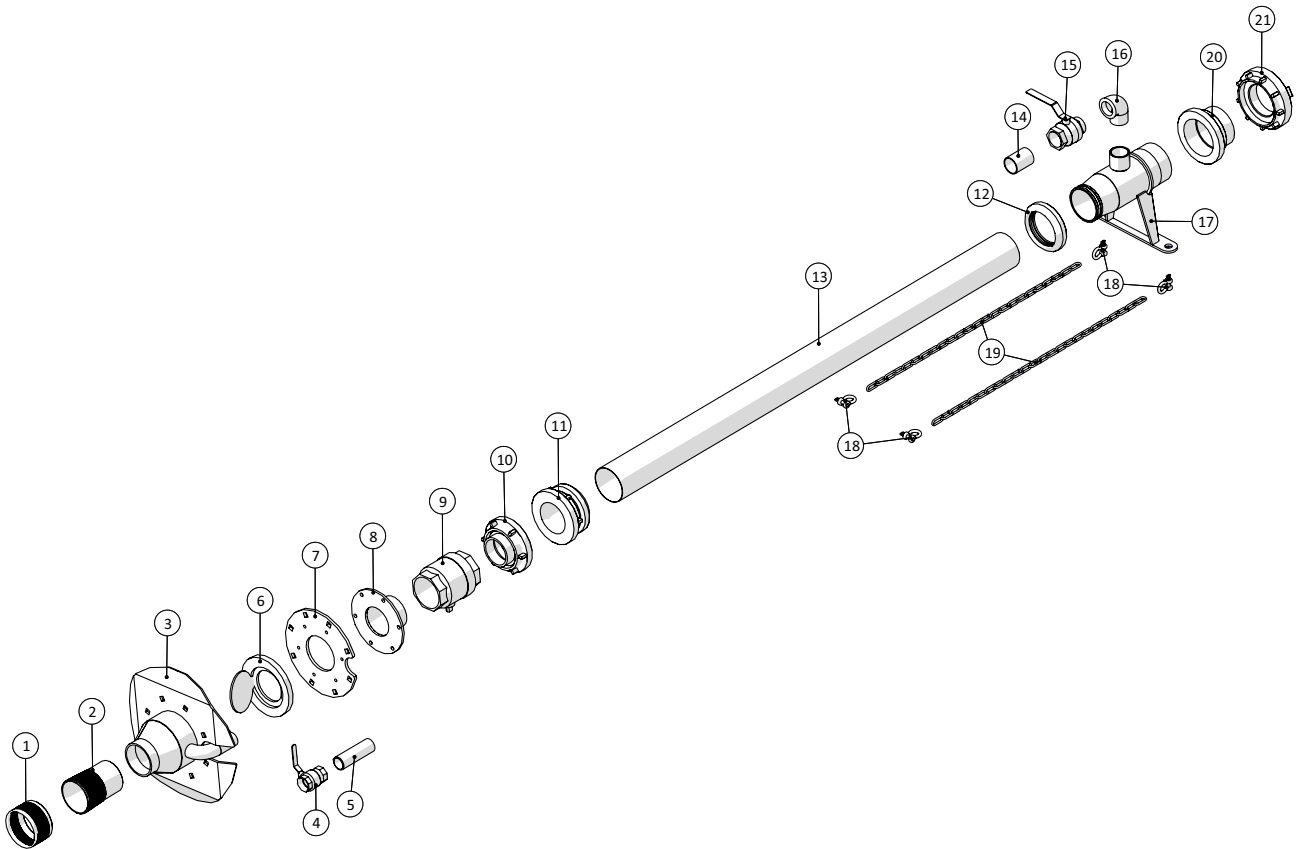


Maize equipment

Pos. no.	Item no.	Pcs.	Description	Note
1	251476804526	1	Top for maize equipment	
2	251476804532	1	Chain bracket for check valve	
3	251476803677	2	Inlet Roller complete	
	251476803678		Shaft for inlet roller	
	251476803679		Inlet roller	
4	19312225	8	Flangebearing GLCTE25	
5	251476803670	2	Vertical roller complete	
	251476803671		Shaft for vertical roller	
	251476803318		Vertical roller	
6	251476804521	1	Bottom for maize equipment	



Hose assembly

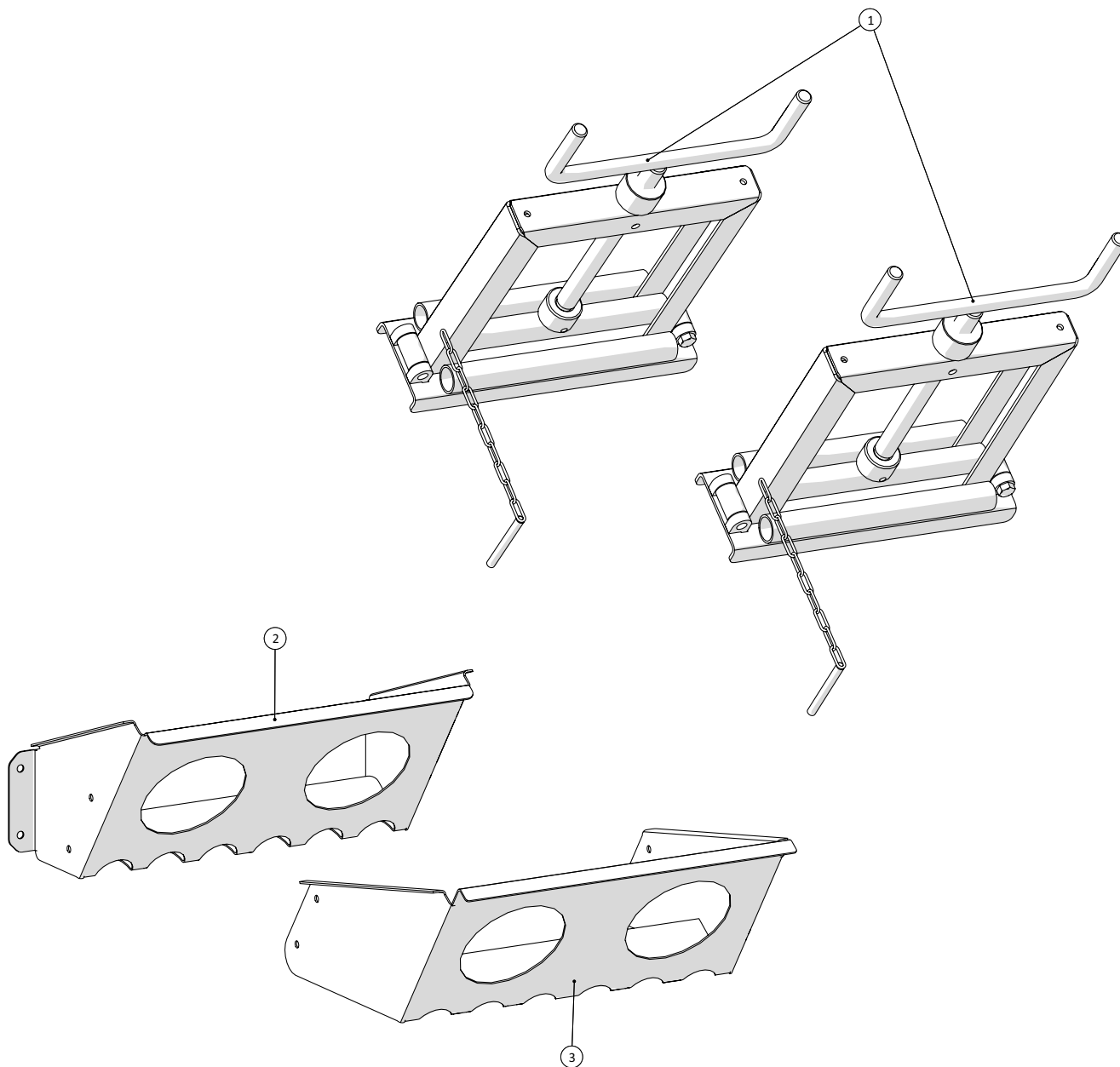


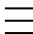
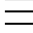
Hose assembly

Pos. no.	Item no.	Pcs.	Description	Note
1	16150515-02	1	Ring 5" - ARMTEX	
2	16150520-01	1	Hose coupling 5"x4"BSP - ARMTEX/PU	
3	25032701	1	Housing for check valve	
4	13100012	1	Ball valve female/female 1½"	
5	14360010	1	Nipple m/1tread. 1½"x150mm	
6	13692125	1	Check valve Ø150	
7	25032707	1	Flange for stop	
8	251476804441	1	Flange for hose assembly	
9	2514850116	1	Slurry valve 4"	
10	14180344	1	STORZ Head w/4" male thread-tail, swivel 125	
11	14180215	1	STORZ coupling w/segmented binding 125	
12	14180215-1	1	STORZ Segmented binding 125	
13		2m		
14	12080412	1	Nipple galv. 2"x80mm	
15	13100074	1	Ball valve male/female 2"	
16	000092412	1	Elbow No.92 90° galv. 2"	
17	251476805661	1	Pipe w/breather	
18	181085112	4	H-Shackle galv. ¾"	
19	1513KS10020110	2m	Chain Long link 6mm galv. DIN5685 42x12mm	
20	14180450	1	STORZ Reducer, thread 5"x6"	
21	141800453	1	STORZ Adaptor w/female thread 6" 150	



Hose clip



 1  2 ↓	A-Z	Self-propelled Slurry distributor SDS8000 Model year 2015 - 2018	Date: 15/9-2016
			59

Hose clip				
Pos. no.	Item no.	Pcs.	Description	Note
1	251476802375	2	Hose Clip for 6" hose	
2	251476804702	1	Bracket for Hose clip	
3	251476806264	1	Bracket for Hose clip	

Date: 15/9-2016

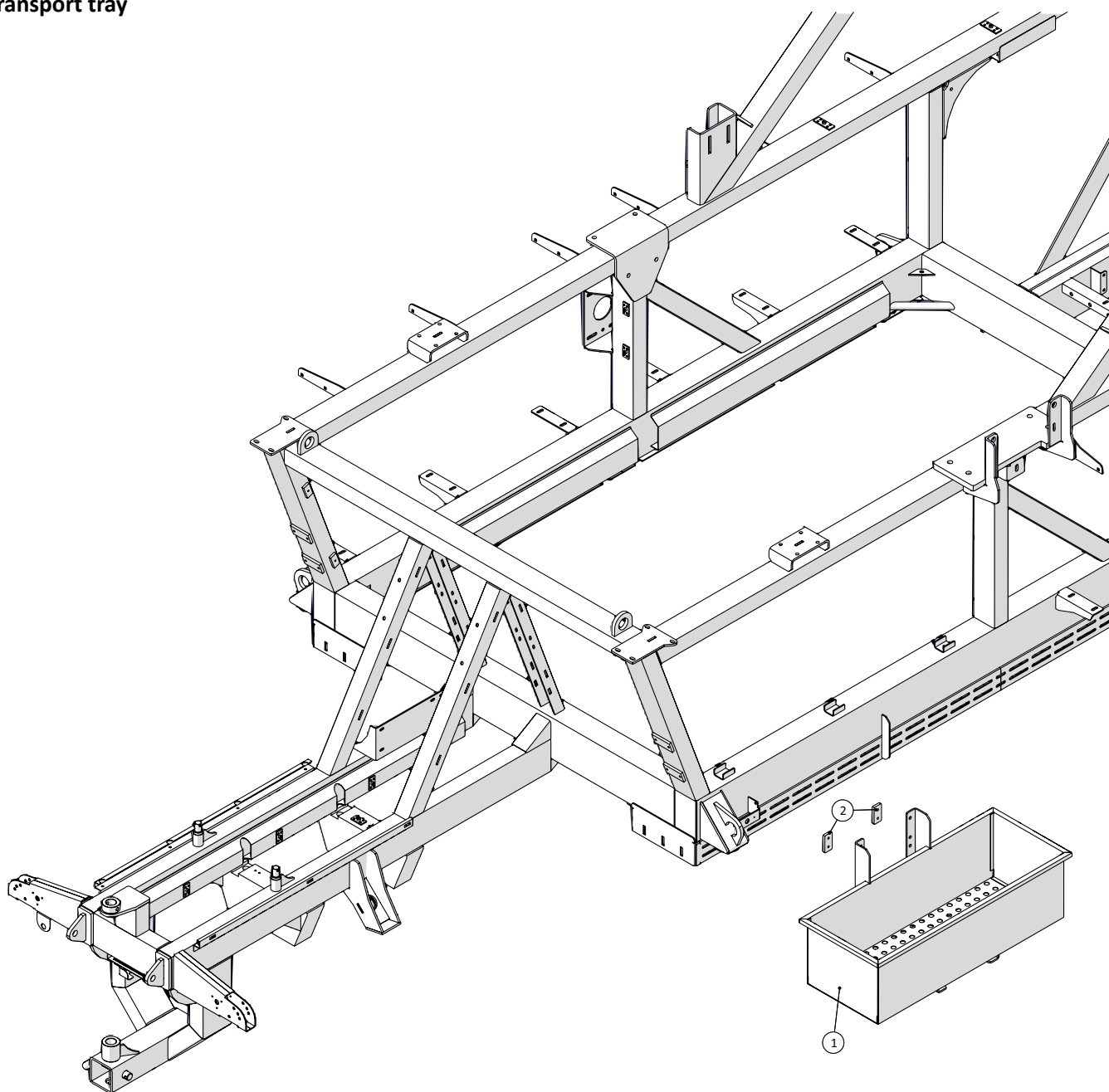
Self-propelled Slurry distributor SDS8000

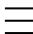
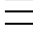
Model year 2015 - 2018

≡ 1 ↓ A-Z
≡ 2 ↓

60

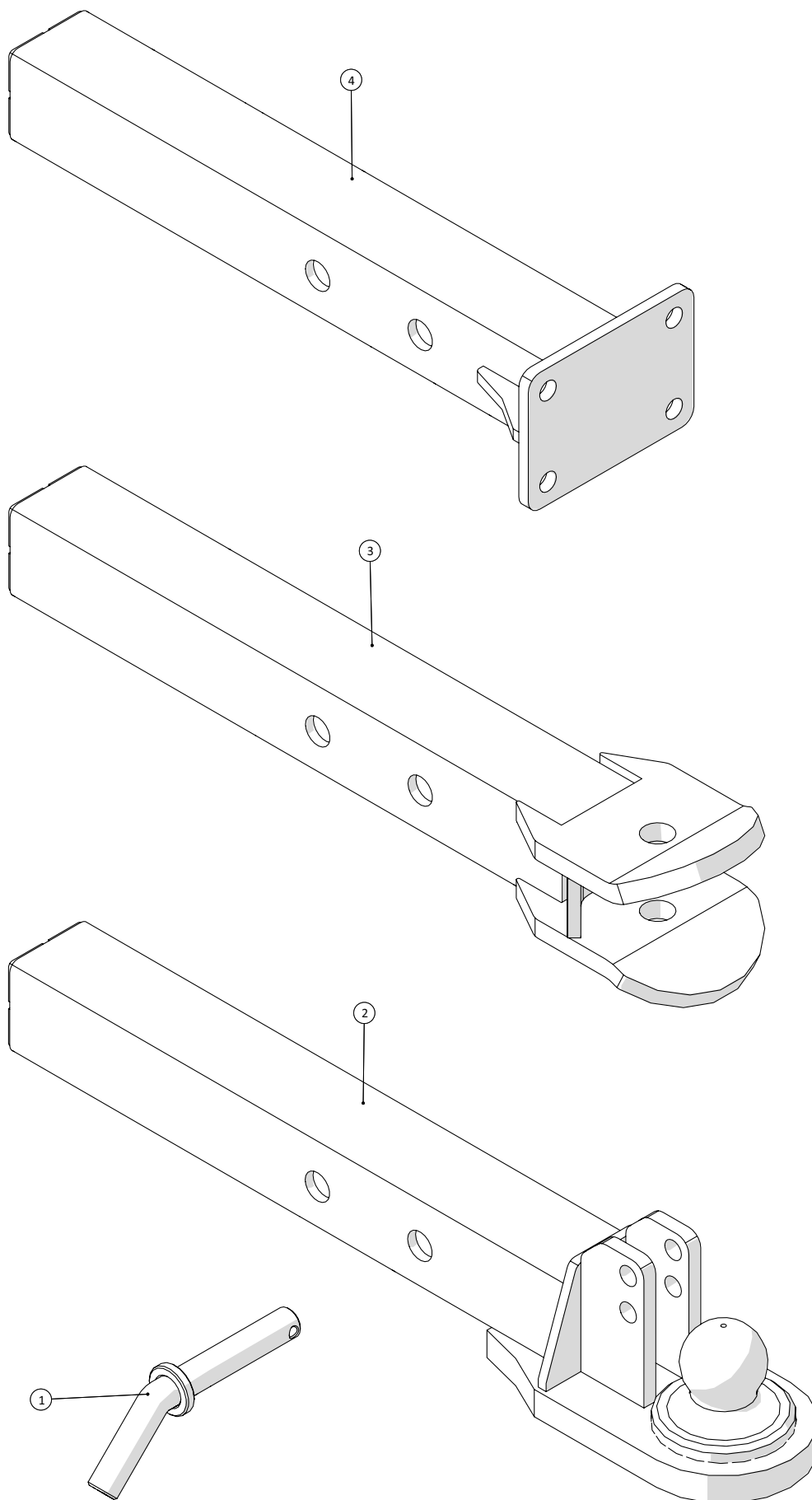
Transport tray



 1  2 ↓	A-Z	Self-propelled Slurry distributor SDS8000 Model year 2015 - 2018	Date: 15/9-2016
			60

Transport tray				
Pos. no.	Item no.	Pcs.	Description	Note
1	251476806259	1	Transport tray	
2	251476804034	2	Threaded plate for mounting rail	

Drawbar



≡ 1 ↓
≡ 2 ↓

A-Z

Self-propelled Slurry distributor SDS8000
Model year 2015 - 2018

Date: 15/9-2016

61

Drawbar

Pos. no.	Item no.	Pcs.	Description	Note
1	251476641120	1	Pin	
2	251476804451	1	Ball coupling	
3	251476804460	1	Standard drawbar	
4	251476804345	1	Drawbar for quick coupling	
	2514853791	1	Quick coupling	





SPICER[®]

Off-Highway Products

Service Parts List

Axle 114/ 74

APL- 4638
August 2015

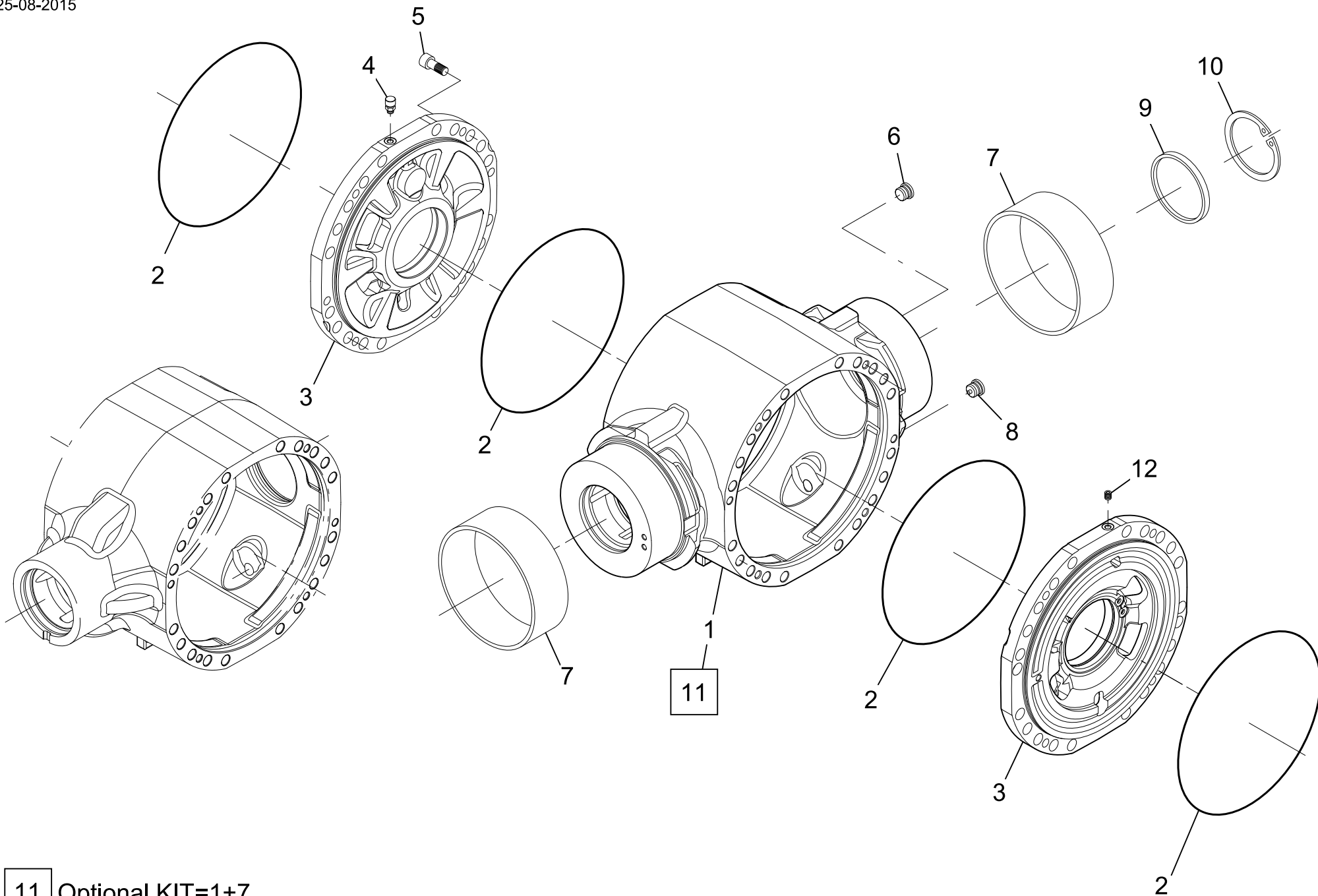


Description Rigid planetary axle	Type 114	Model 74	Customer: TRANS-AUTO AB	ECO number and date

Flange to flange [mm] 2180. Bevel gear set 9:33 Ring gear dia. 350 Final reduction ratio	Oil volume		Machine: AGROMETER	R 3104	
	Notes				30/07/2015
	- Paint the axle with black paint The axle will be sent with oil				

Description	Assembly	Features	Assembly Dwg
Central housing	114-01/03		114.01.000.01
Differential	114-04/05	Limited slip 45%	114.04.000.01
Wheel hub	114-06/23	Studs M22 L=76	114.06.000.01
Brake	114-07/01	Wet disc brake - 6 discs Wellman - Internal SAHR parking brake - 30-35 bar release pressure - 1.25 mm play	114.07.000.01
Loose parts			





11 Optional KIT=1+7



DANA ITALIA S.P.A. **CENTRAL HOUSING**

TECHNICAL DOCUMENTATION Type **114** Tav. **114-01-0001**



Mod. 114/ 74

Technical documentation

DISTINTA PEZZI DI RICAMBIO
ERSATZTEILLISTE
LISTE DES PIECES DE RECHANGE
LIST OF SPARE PARTS

Descr. CENTRAL HOUSING

Drawing
114-01-0001

Page N. 1

Date 26/08/15

Pos.	NUMERO DISEGNO BESTELLNUMMER REFERENCE NUMERO PART NUMBER	Q.ty	DENOMINAZIONE BEZEICHNUNG DESCRIPTION DENOMINATION	Type 114	Subassembly 114-01/03
1	114.01.024.01	1	SCATOLA CARTER HOUSING CAJA GEHAEUSE		
2	001.05.1424	4	ANELLO OR JOINT OR O - RING ANILLO TOROIDAL O - RING		
3	114.01.018.02	2	COPERCHIO INTERMEDIO COUVERCLE INTERMEDIAIRE INTERMEDIATE COVER TAPA DE INTERMEDIO ZWISCHENDECKEL		
4	112.01.018.02	1	TAPPO SFIATO RENIFLARD VENT TAPÓN DE RESPIRADERO ENTLUEFTER		
5	016.30.4244	4	VITE VIS BOLT TORNILLO SCHRAUBE		
6	355.14.610.02	1	TAPPO BOUCHON PLUG TAPÓN STOPFEN		
7					
8	355.14.611.02	1	TAPPO MAGNETICO BOUCHON MAGNETIQUE MAGNETIC PLUG TAPÓN MAGNÉTICO MAGNETSTOPFEN		
9	176.01.035.04	1	TAPPO BOUCHON PLUG TAPÓN STOPFEN		



Mod. 114/ 74

Technical documentation

DISTINTA PEZZI DI RICAMBIO
ERSATZTEILLISTE
LISTE DES PIECES DE RECHANGE
LIST OF SPARE PARTS

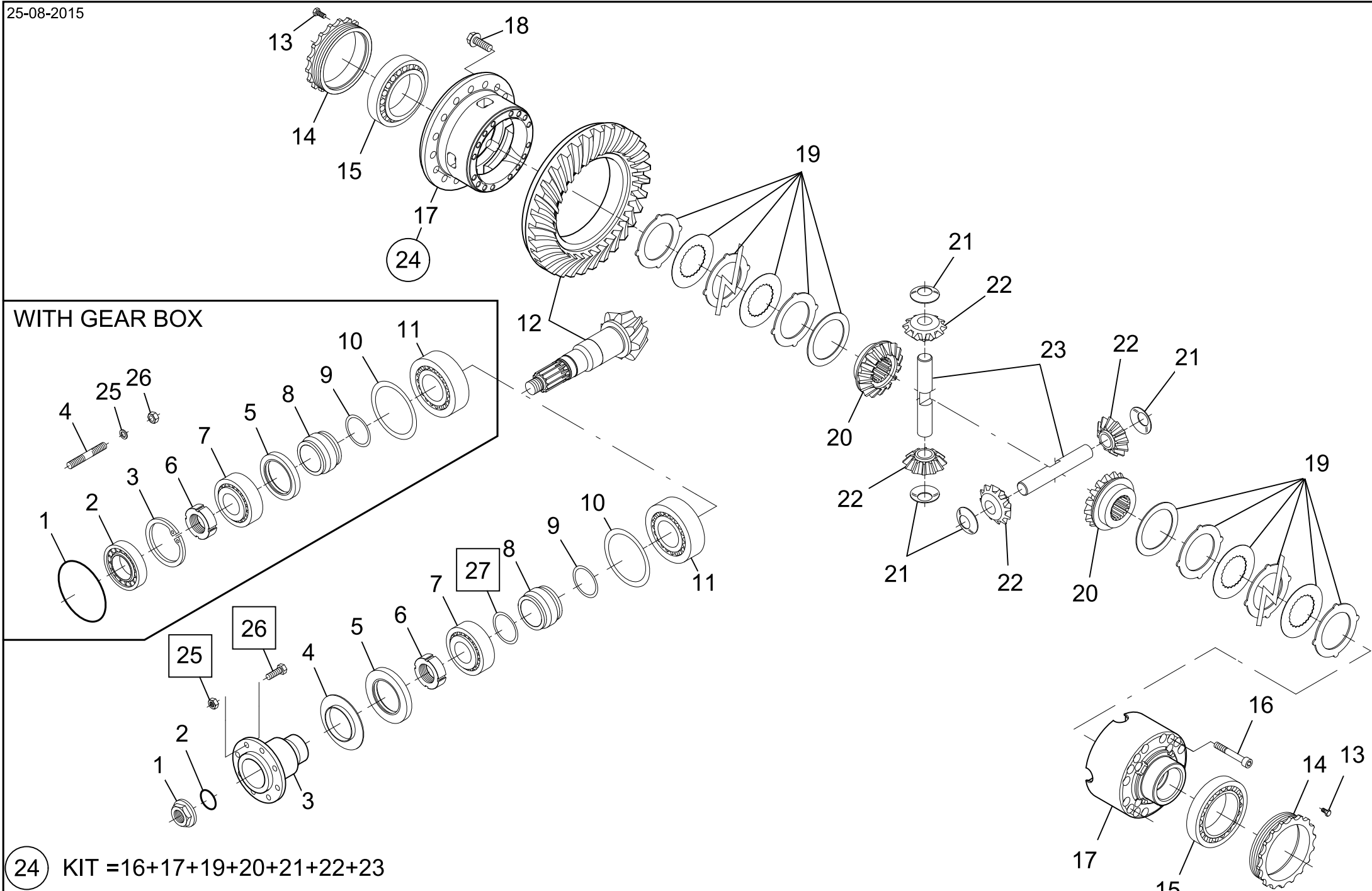
Descr. CENTRAL HOUSING

Drawing
114-01-0001

Page N. 2

Date 26/08/15

Pos.	NUMERO DISEGNO BESTELLNUMMER REFERENCE NUMERO PART NUMBER	Q.ty	DENOMINAZIONE BEZEICHNUNG DESCRIPTION DENOMINATION	Type 114	Subassembly 114-01/03
10	002.02.1429	1	ANELLO D'ARRESTO BAGUE D'ARRET SNAP RING ARO DE RETENCIÓN SPRENGRING		
11					
12	016.14.1138	1	VITE DI CHIUSURA VIS DE FERMETURE PLUG TAPÓN VERSCHLUSS-SCHRAUBE		



24 KIT = 16+17+19+20+21+22+23

	DANA ITALIA S.P.A. DIFFERENTIAL		25 26 27 OPTIONAL
	TECHNICAL DOCUMENTATION	Type 114	



Mod. 114/ 74

Technical documentation

DISTINTA PEZZI DI RICAMBIO
ERSATZTEILLISTE
LISTE DES PIECES DE RECHANGE
LIST OF SPARE PARTS

Descr. DIFFERENTIAL

Drawing
114-04-0001

Page N. 1

Date 26/08/15

Pos.	NUMERO DISEGNO BESTELLNUMMER REFERENCE NUMERO PART NUMBER	Q.ty	DENOMINAZIONE BEZEICHNUNG DESCRIPTION DENOMINATION	Type 114	Subassembly 114-04/05
1	183.04.007.01	1	DADO ECROU NUT TUERCA MUTTER		
2	001.05.1601	1	ANELLO OR JOINT OR O - RING ANILLO TOROIDAL O - RING		
3	114.04.014.01	1	FLANGIA BRIDE FLANGE BRIDA FLANSCH		
4	114.04.015.01	1	LAMIERA DI PROTEZIONE PROTECTION EN TOLE COVER PLATE CHAPA DE PROTECCIÓN SCHUTZBLECH		
5	001.03.4222	1	ANELLO BAGUE RING ANILLO RING		
6	114.04.013.01	1	GHIERA ECROU RING NUT ABRAZADERA WELLENMUTTER		
7	005.10.2959	1	CUSCINETTO ROULEMENT BEARING COJINETE LAGER		
8	114.04.042.01	1	DISTANZIALE ENTRETOISE SPACER DISTANCIADOR DISTANZRING		



Mod. 114/ 74

Technical documentation

DISTINTA PEZZI DI RICAMBIO
ERSATZTEILLISTE
LISTE DES PIECES DE RECHANGE
LIST OF SPARE PARTS

Descr. DIFFERENTIAL

Drawing
114-04-0001

Page N. 2

Date 26/08/15

Pos.	NUMERO DISEGNO BESTELLNUMMER REFERENCE NUMERO PART NUMBER	Q.ty	DENOMINAZIONE BEZEICHNUNG DESCRIPTION DENOMINATION	Type 114	Subassembly 114-04/05
9	114.04.400.01	1	KIT SPESSORI KIT CALES SHIM KIT KIT DE ESPESOR PASS-SCHEIBEN KIT		
10	013.01.3465 013.01.3466 013.01.3467 013.01.3468	1 1 1 1	SPESSORE CALE SHIM ESPESOR PASS - SCHEIBE		
11	005.09.3366	1	CUSCINETTO A RULLI CONICI ROULEMENT A R. CONIQUES TAPER ROLLER BEARING COJINETE DE BOLAS KEGELROLLENLAGER		
12	114.04.501.01	1	COPPIA CONICA COUPLE CONIQUE BEVEL GEAR SET PAR CONICO KEGEL- UND TELLERRADPAAR		
13	016.30.4162	2	VITE VIS BOLT TORNILLO SCHRAUBE		
14	194.04.001.01	2	GHIERA ECROU RING NUT ABRAZADERA WELLENMUTTER		
15	005.09.0762	2	CUSCINETTO A RULLI CONICI ROULEMENT A R. CONIQUES TAPER ROLLER BEARING COJINETE DE BOLAS KEGELROLLENLAGER		
16	016.38.4239	16	VITE VIS BOLT TORNILLO SCHRAUBE		
17	114.04.704.01	1	SCATOLA DIFFERENZIALE CARTER DIFFERENTIEL DIFFERENTIAL CARRIER CAJA DE DIFERENCIAL DIFFERENTIALGEHAEUSE		



Mod. 114/ 74

Technical documentation

DISTINTA PEZZI DI RICAMBIO
ERSATZTEILLISTE
LISTE DES PIECES DE RECHANGE
LIST OF SPARE PARTS

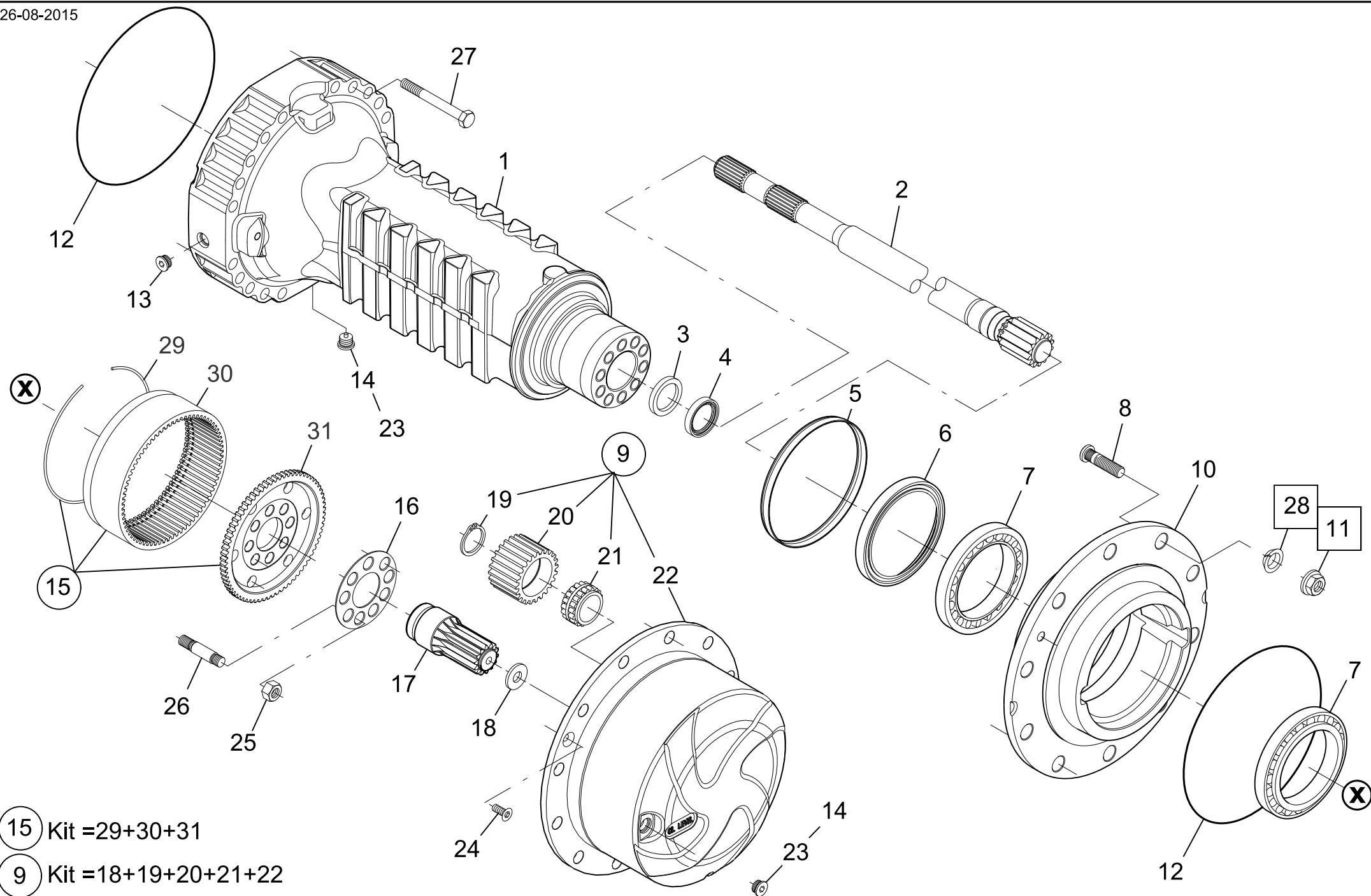
Descr. DIFFERENTIAL

Drawing
114-04-0001

Page N. 3

Date 26/08/15

Pos.	NUMERO DISEGNO BESTELLNUMMER REFERENCE NUMERO PART NUMBER	Q.ty	DENOMINAZIONE BEZEICHNUNG DESCRIPTION DENOMINATION	Type 114	Subassembly 114-04/05
18	016.28.3390	22	VITE VIS BOLT TORNILLO SCHRAUBE		
19	114.04.610.02	2	DISCO DISQUE DISC DISCO SCHEIBE		
20	114.04.008.01	2	PLANETARIO PLANETAIRE DIFFERENTIAL SIDE GEAR PLANETARIO AUSGLEICHSWELLENRAD		
21	114.04.007.02	4	RONDELLA DI RASAMENTO RONDELLE FRICTION WASHER ARANDELA DE FRICCIÓN ANLAUFSSCHEIBE		
22	114.04.010.01	4	SATELLITE SATELLITE DIFFERENTIAL PINION ENGRANAJE SATÉLITE AUSGLEICHSCHEGELRAD		
23	114.04.006.03	2	PERNO AXE PIN PERNO BOLZEN		
24	114.04.754.01	1	DIFFERENZIALE DIFFERENTIEL DIFFERENTIAL DIFERENCIAL DIFFERENTIAL		



15 Kit = 29+30+31

9 Kit = 18+19+20+21+22



DANA ITALIA S.P.A. HUB REDUCTION
 TECHNICAL DOCUMENTATION Type **114** Tav. **114-06-0002**

28 11 OPTIONAL



Mod. 114/ 74

Technical documentation

DISTINTA PEZZI DI RICAMBIO
ERSATZTEILLISTE
LISTE DES PIECES DE RECHANGE
LIST OF SPARE PARTS

Descr. HUB REDUCTION

Drawing
114-06-0002

Page N. 1

Date 26/08/15

Pos.	NUMERO DISEGNO BESTELLNUMMER REFERENCE NUMERO PART NUMBER	Q.ty	DENOMINAZIONE BEZEICHNUNG DESCRIPTION DENOMINATION	Type 114	Subassembly 114-06/23
1	114.06.001.02	2	BRACCIO CORPS D'ESSIEU AXLE CASE BRAZO ACHSKOERPER		
2	114.06.006.01	2	SEMIASSE DEMI-ARBRE HALF SHAFT SEMIEJE ACHSWELLE		
3	114.06.009.01	2	ANELLO BAGUE RING ANILLO RING		
4	001.43.4010	2	ANELLO DI TENUTA JOINT D'ETANCHEITE SEAL ANILLO DE ESTANQUEIDAD DICHRING		
5	114.06.019.01	2	LAMIERA DI PROTEZIONE PROTECTION EN TOLE COVER PLATE CHAPA DE PROTECCIÓN SCHUTZBLECH		
6	000.3429790 M2	2	ANELLO DI TENUTA JOINT D'ETANCHEITE SEAL ANILLO DE ESTANQUEIDAD DICHRING		
7	005.10.3474	4	CUSCINETTO A RULLI CONICI ROULEMENT A R. CONIQUES TAPER ROLLER BEARING COJINETE DE BOLAS KEGELROLLENLAGER		
8	932.06.074.01	24	COLONNETTA GOJON DE ROUE WHEEL STUD PRISIONERO RADBOLZEN		



Mod. 114/ 74

Technical documentation

DISTINTA PEZZI DI RICAMBIO
ERSATZTEILLISTE
LISTE DES PIECES DE RECHANGE
LIST OF SPARE PARTS

Descr. HUB REDUCTION

Drawing
114-06-0002

Page N. 2

Date 26/08/15

Pos.	NUMERO DISEGNO BESTELLNUMMER REFERENCE NUMERO PART NUMBER	Q.ty	DENOMINAZIONE BEZEICHNUNG DESCRIPTION DENOMINATION	Type 114	Subassembly 114-06/23
9	114.06.700.02	2	SUPPORTO SATELLITI SUPPORT SATELLITES PLANET GEAR CARRIER TAPA PORTASATÉLITES PLANETENGEHAEUSE		
10	114.06.002.01	2	MOZZO RUOTA MOYEU DE ROUE WHEEL HUB CUBO DE MAZA RADNABE		
11	006.08.2833	24	DADO A SEDE SFERICA ECROU DEMI-SPHERIQUE WHEEL NUT TURCA ASIANTA ESFÉRICA KUGELBUNDMUTTER		
12	001.05.1424	2	ANELLO OR JOINT OR O - RING ANILLO TOROIDAL O - RING		
13	355.14.610.02	2	TAPPO BOUCHON PLUG TAPÓN STOPFEN		
14	355.14.611.02	4	TAPPO MAGNETICO BOUCHON MAGNETIQUE MAGNETIC PLUG TAPÓN MAGNÉTICO MAGNETSTOPFEN		
15					
16	114.06.004.01	2	LAMIERA DI SICUREZZA TOLE DE SECURITE LOCKING PLATE BLOQUEO DE LA CUBIERTA SICHERUNGSBLECH		
17	114.06.007.01	2	PIGNONE PIGNON PIÑION PIÑÓN RITZEL		



Mod. 114/ 74

Technical documentation

DISTINTA PEZZI DI RICAMBIO
ERSATZTEILLISTE
LISTE DES PIECES DE RECHANGE
LIST OF SPARE PARTS

Descr. HUB REDUCTION

Drawing
114-06-0002

Page N. 3

Date 26/08/15

Pos.	NUMERO DISEGNO BESTELLNUMMER REFERENCE NUMERO PART NUMBER	Q.ty	DENOMINAZIONE BEZEICHNUNG DESCRIPTION DENOMINATION	Type 114	Subassembly 114-06/23
18	114.06.031.01	2	RONDELLA DI RASAMENTO RONDELLE FRICTION WASHER ARANDELA DE FRICCIÓN ANLAUFSSCHEIBE		
19	002.01.0636	6	ANELLO DI SICUREZZA ARRETOIR CIRCLIP ANILLO DE SEGURIDAD SICHERUNGSRING		
20	183.06.006.03	6	SATELLITE (PLAN.) SATELLITE PLANET GEAR ENGRANAJE PLANETARIO PLANETENRAD		
21	114.06.028.01	6	CUSCINETTO ROULEMENT BEARING COJINETE LAGER		
22	114.06.005.02	2	SUPPORTO SATELLITI SUPPORT SATELLITES PLANET GEAR CARRIER TAPA PORTASATÉLITES PLANETENGEHAEUSE		
23					
24	016.06.0442	4	VITE A TESTA CONICA VIS A TETE CONIQUE COUNTERSUNK BOLT TORNILLO DE CABEZA CONICA SENKSCHRAUBE		
25	114.06.016.02	20	DADO ECROU NUT TUERCA MUTTER		
26	114.06.012.01	20	PRIGIONIERO GOUJON STUD PRISIONERO STIFTSCHRAUBE		



Mod. 114/ 74

Technical documentation

DISTINTA PEZZI DI RICAMBIO
ERSATZTEILLISTE
LISTE DES PIECES DE RECHANGE
LIST OF SPARE PARTS

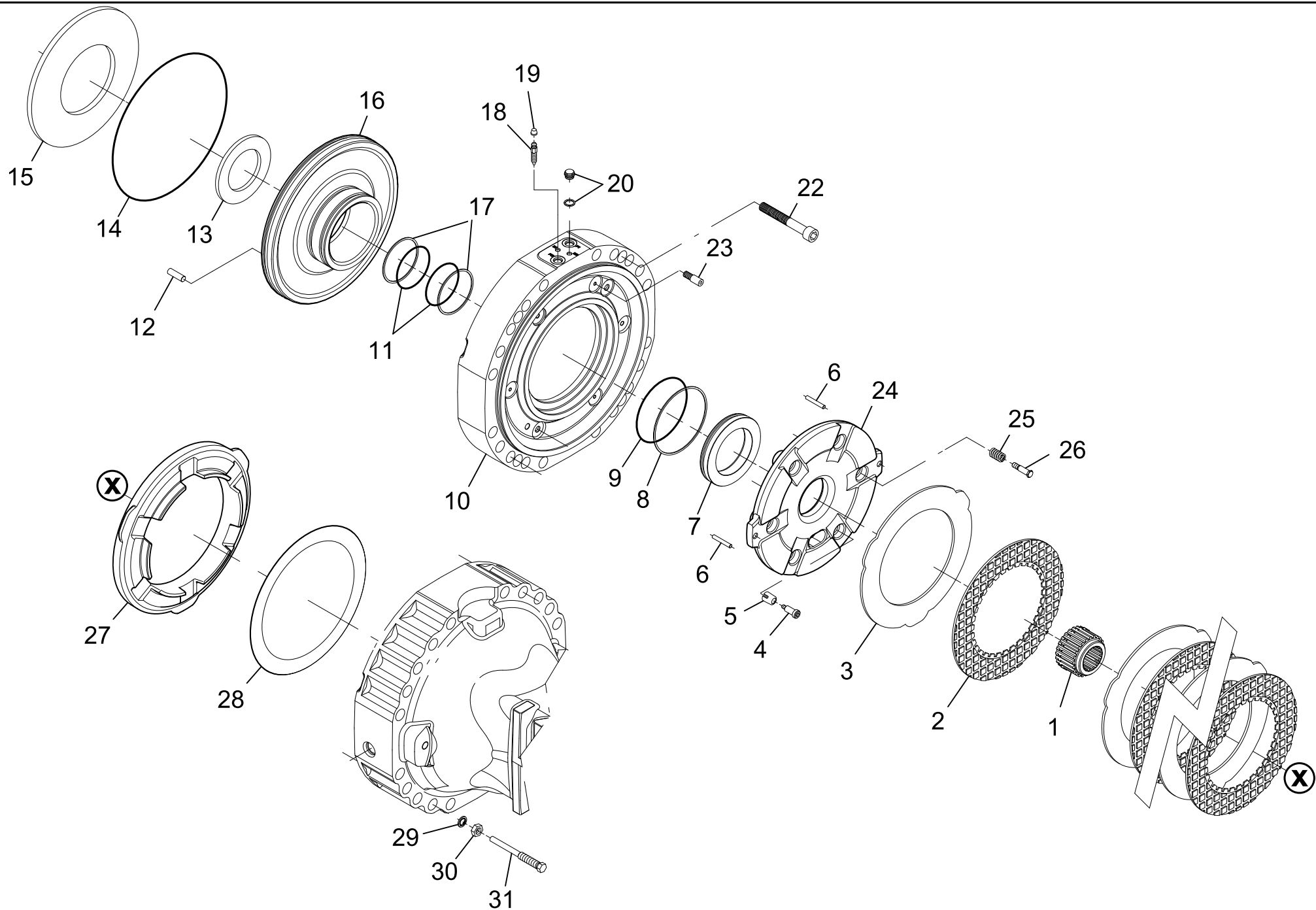
Descr. HUB REDUCTION

Drawing
114-06-0002

Page N. 4

Date 26/08/15

Pos.	NUMERO DISEGNO BESTELLNUMMER REFERENCE NUMERO PART NUMBER	Q.ty	DENOMINAZIONE BEZEICHNUNG DESCRIPTION DENOMINATION	Type 114	Subassembly 114-06/23
27	114.06.015.02	40	VITE VIS BOLT TORNILLO SCHRAUBE		
28					
29	760.06.014.01	2	ANELLO D'ARRESTO BAGUE D'ARRET SNAP RING ARO DE RETENCIÓN SPRENGRING		
30	114.06.003.01	2	CORONA DENTATA COURONNE DENTEE RING GEAR CORONA DENTADA ZAHNKRANZ		
31	114.06.008.01	2	SUPPORTO PORTACORONA SUPPORT PORTE COURONNE RING GEAR SUPPORT SOPORTE DE CORONA HOHLRADTRAEGER		



DANA ITALIA S.P.A. **BRAKES**

TECHNICAL DOCUMENTATION

Type **114**

Tav. **114-07-0001**

Free number 21



Mod. 114/ 74

Technical documentation

DISTINTA PEZZI DI RICAMBIO
ERSATZTEILLISTE
LISTE DES PIECES DE RECHANGE
LIST OF SPARE PARTS

Descr. BRAKES

Drawing
114-07-0001

Page N. 1

Date 26/08/15

Pos.	NUMERO DISEGNO BESTELLNUMMER REFERENCE NUMERO PART NUMBER	Q.ty	DENOMINAZIONE BEZEICHNUNG DESCRIPTION DENOMINATION	Type 114	Subassembly 114-07/01
1	114.07.001.01	2	BUSSOLA MANCHON DE REDUCTION BUSHING CASQUILLO BUCHSE		
2	114.07.610.01	6	DISCO DISQUE DISC DISCO SCHEIBE		
3	114.07.006.01	6	DISCO FRENO INTERMEDIO DISQUE INTERMEDIAIRE INTERMEDIATE BRAKE DISC DISCO DE FRENO INTERMEDIO GEGENLAMELLE		
4	112.07.037.15	1	VITE REGISTRO VIS DE REGLAGE ADJUSTING BOLT TORNILLO EN REGISTRO NACHSTELLSCHRAUBE		
5	112.07.002.03	6	MOLLA RESSORT SPRING MUELLE FEDER		
6	014.02.0332	2	SPINA BROCHE DOWEL VÁSTAGO STIFT		
7	114.07.003.01	2	PISTONE PISTON PISTON PISTÓN KOLBEN		
8	183.07.003.01	2	ANELLO ANTIESTRUSIONE BAGUE ANTIEXTRUSION BACK - UP RING ANILLO ANTIEXTRUSIÓN ANTIEXTRUSIONSRING		



Mod. 114/ 74

Technical documentation

DISTINTA PEZZI DI RICAMBIO
ERSATZTEILLISTE
LISTE DES PIECES DE RECHANGE
LIST OF SPARE PARTS

Descr. BRAKES

Drawing
114-07-0001

Page N. 2

Date 26/08/15

Pos.	NUMERO DISEGNO BESTELLNUMMER REFERENCE NUMERO PART NUMBER	Q.ty	DENOMINAZIONE BEZEICHNUNG DESCRIPTION DENOMINATION	Type 114	Subassembly 114-07/01
9	001.05.1480	2	ANELLO OR JOINT OR O - RING ANILLO TOROIDAL O - RING		
10	114.01.003.01	2	COPERCHIO INTERMEDIO COUVERCLE INTERMEDIAIRE INTERMEDIATE COVER TAPA DE INTERMEDIO ZWISCHENDECKEL		
11	001.05.0807	4	ANELLO OR JOINT OR O - RING ANILLO TOROIDAL O - RING		
12					
13					
14	001.05.3338	2	ANELLO OR JOINT OR O - RING ANILLO TOROIDAL O - RING		
15	114.07.010.01	2	MOLLA RESSORT SPRING MUELLE FEDER		
16	114.07.016.01	2	PISTONE PISTON PISTON PISTÓN KOLBEN		
17	112.07.009.02	4	ANELLO ANTIESTRUSIONE BAGUE ANTIEXTRUSION BACK - UP RING ANILLO ANTIEXTRUSIÓN ANTIEXTRUSIONSRING		



Mod. 114/ 74

Technical documentation

DISTINTA PEZZI DI RICAMBIO
ERSATZTEILLISTE
LISTE DES PIECES DE RECHANGE
LIST OF SPARE PARTS

Descr. BRAKES

Drawing
114-07-0001

Page N. 3

Date 26/08/15

Pos.	NUMERO DISEGNO BESTELLNUMMER REFERENCE NUMERO PART NUMBER	Q.ty	DENOMINAZIONE BEZEICHNUNG DESCRIPTION DENOMINATION	Type 114	Subassembly 114-07/01
18	734.07.014.01	4	VITE SPURGO VIS DE PURGE BLEEDING BOLT PURGADOR ABBLASESCHRAUBE		
19	734.07.015.01	4	TAPPO BOUCHON PLUG TAPÓN STOPFEN		
20	112.07.615.01	4	TAPPO BOUCHON PLUG TAPÓN STOPFEN		
21					
22	016.04.0547	8	VITE A TESTA CILINDRICA VIS A TETE CYLINDRIQUE CYLINDER BOLT TORNILLO DE CABEZA CILÍNDRICA ZYLINDERSCHRAUBE		
23	162.07.004.05	2	VITE SPINA VIS A BROCHE PILOT BOLT TORNILLO DE ENCHUFE FUEHRUNGSSCHRAUBE		
24	114.07.004.01	2	DISCO DISQUE DISC DISCO SCHEIBE		
25	163.07.011.01	6	MOLLA RESSORT SPRING MUELLE FEDER		
26	163.07.012.03	6	VITE REGISTRO VIS DE REGLAGE ADJUSTING BOLT TORNILLO EN REGISTRO NACHSTELLSCHRAUBE		



Mod. 114/ 74

Technical documentation

DISTINTA PEZZI DI RICAMBIO
ERSATZTEILLISTE
LISTE DES PIECES DE RECHANGE
LIST OF SPARE PARTS

Descr. BRAKES

Drawing
114-07-0001

Page N. 4

Date 26/08/15

Pos.	NUMERO DISEGNO BESTELLNUMMER REFERENCE NUMERO PART NUMBER	Q.ty	DENOMINAZIONE BEZEICHNUNG DESCRIPTION DENOMINATION	Type 114	Subassembly 114-07/01
27	114.07.005.01	2	DISTANZIALE ENTRETOISE SPACER DISTANCIADOR DISTANZRING		
28					
29	011.13.4001	4	ROSETTA DI TENUTA BAGUE D'ETANCHEITE SEAL WASHER ARANDELA DE ESTANQUIDAD DICHRING		
30	006.05.0202	4	DADO ECROU NUT TUERCA MUTTER		
31	114.07.009.01	4	VITE VIS BOLT TORNILLO SCHRAUBE		

© Copyright 2015 Dana Holding Corporation

All content is subject to copyright by Dana and may not be reproduced in whole or in part by any means, electronic or otherwise, without prior written approval.

THIS INFORMATION IS NOT INTENDED FOR SALE OR RESALE, AND THIS NOTICE MUST REMAIN ON ALL COPIES.

For product inquiries or support,
visit www.dana.com or call 419-887-6445

For other service publications,
visit www.SpicerParts.com/literature.asp

For online service parts ordering,
visit www.SpicerParts.com/order.asp



SPICER[®]

Off-Highway Products



SPICER®

Off-Highway Products

Service Parts List

Gear Box 360/166

GPL-2024
August 2015



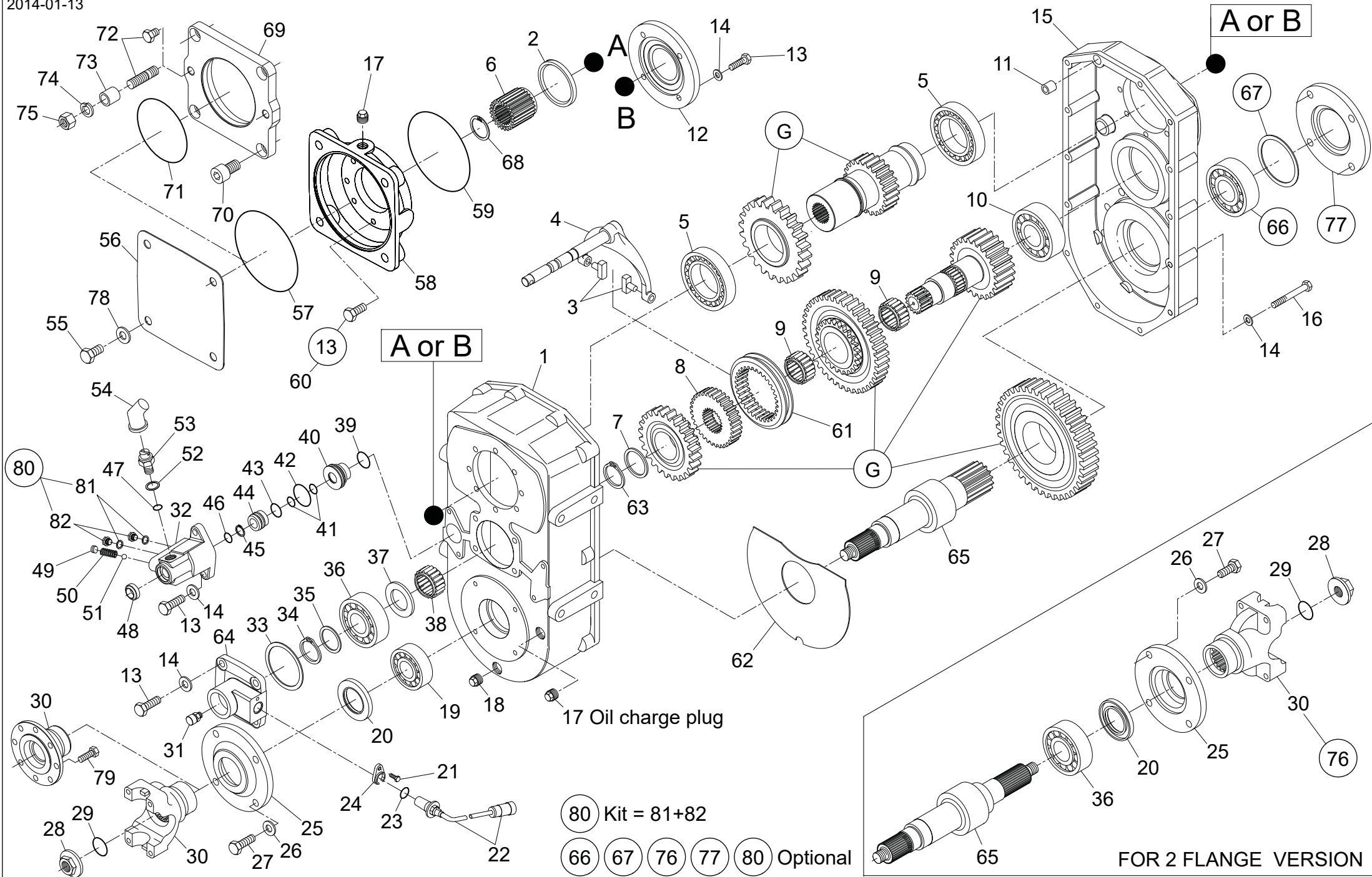
Description 2 speed dropbox		Type 360	Model 166	Customer: TRANS-AUTO AB Cust. code: 050033 Drawing n° 360.97.000.166		ECO number and date
Center distance [mm] 293.			Oil volume lt. 2.70	Machine: AGROMETER__		R 3104
Reduction ratio(s) 1:3.27 1:1.42				Notes		30/07/2015
Fixed PTO 1				<ul style="list-style-type: none"> - Put the bushing 723.14.020.24 assembled with and seeger 002.02.0860 and OR 001.05.1436 inside of the hydraulic motor cover - The gearbox will be sent with oil - The gearbox need to be assembled horizontal left, please make attention on magnetic oil plug - Paint the gearbox with black paint 		
Hydrostatik input motor SAUER 51V110 16/32 Z=27						

Description	Assembly	Features	Assembly Dwg
Dropbox	360-14/70		360.14.000.05
Gears	360-3,27-1,42-A		

Loose parts	

Soluz. montaggio ridut. " A "

**RIDUTTORE ORIZZONTALE SINISTRA
FLANGIA DIN 150**



80 Kit = 81+82

66 67 76 77 80 Optional

G See gears on table 360-14-0002

FOR 2 FLANGE VERSION



Mod. 360/166

Technical documentation

DISTINTA PEZZI DI RICAMBIO
ERSATZTEILLISTE
LISTE DES PIECES DE RECHANGE
LIST OF SPARE PARTS

Descr. GEAR BOX

Drawing
360-14-0001

Page N. 1

Date 27/08/15

Pos.	NUMERO DISEGNO BESTELLNUMMER REFERENCE NUMERO PART NUMBER	Q.ty	DENOMINAZIONE BEZEICHNUNG DESCRIPTION DENOMINATION	Type 360	Subassembly 360-14/70
1	360.14.001.02	1	SCATOLA CARTER HOUSING CAJA GEHAEUSE		
2	001.01.0622	1	ANELLO DI TENUTA JOINT D'ETANCHEITE SEAL ANILLO DE ESTANQUEIDAD DICHRING		
3	355.14.056.01	2	PATTINO PATIN SLIDING PIN ZAPATA GLEITSTUECK		
4	360.14.701.03	1	ASTA TIGE BAR VARILLA STANGE		
5	005.01.0623	2	CUSCINETTO A SFERE ROULEMENT A BILLES BALL BEARING COJINETE DE BOLAS RILLENKUGELLAGER		
6	723.14.020.24	1	BUSSOLA MANCHON DE REDUCTION BUSHING CASQUILLO BUCHSE		
7	355.14.055.01	1	RONDELLA DI RASAMENTO RONDELLE FRICTION WASHER ARANDELA DE FRICCIÓN ANLAUFSCHIEBE		
8	355.14.100.01	1	MANICOTTO GUIDA TUYAU DE GUIDAGE GUIDE - TUBE MANGUITO DE CONDUCCIÓN FUEHRUNGSROHR		



Mod. 360/166

Technical documentation

DISTINTA PEZZI DI RICAMBIO
ERSATZTEILLISTE
LISTE DES PIECES DE RECHANGE
LIST OF SPARE PARTS

Descr. GEAR BOX

Drawing
360-14-0001

Page N. 2

Date 27/08/15

Pos.	NUMERO DISEGNO BESTELLNUMMER REFERENCE NUMERO PART NUMBER	Q.ty	DENOMINAZIONE BEZEICHNUNG DESCRIPTION DENOMINATION	Type 360	Subassembly 360-14/70
9	005.13.2708	2	GABBIA A RULLINI ROULEMENT A AIGUILLE NEEDLE BEARING JAULA DE RODILLOS NADELKAEFIG		
10	005.06.2454	1	CUSCINETTO ROULEMENT BEARING COJINETE LAGER		
11	722.14.039.01	2	BUSSOLA MANCHON DE REDUCTION REDUCTION BUSHING CASQUILLO ZWISCHENBUCHSE		
12	360.14.005.01	1	COPERCHIO COUVERCLE COVER TAPA DECKEL		
13	016.01.0375	8 4 4 2	VITE A TESTA ESAGONALE VIS A TETE EXAGONALE HEXAGON BOLT TORNILLO DE CABEZA HEXAGONAL SECHSKANTSCHRAUBE		
14	011.01.0222	18 4 2	ROSETTA ELASTICA RONDELLE ELASTIQUE SPRING WASHER ARANDELA ELÁSTICA FEDERRING		
15	360.14.002.01	1	COPERCHIO COUVERCLE COVER TAPA DECKEL		
16	016.03.1062	14	VITE A TESTA ESAGONALE VIS A TETE EXAGONALE HEXAGON BOLT TORNILLO DE CABEZA HEXAGONAL SECHSKANTSCHRAUBE		



Mod. 360/166

Technical documentation

DISTINTA PEZZI DI RICAMBIO
ERSATZTEILLISTE
LISTE DES PIECES DE RECHANGE
LIST OF SPARE PARTS

Descr. GEAR BOX

Drawing
360-14-0001

Page N. 3

Date 27/08/15

Pos.	NUMERO DISEGNO BESTELLNUMMER REFERENCE NUMERO PART NUMBER	Q.ty	DENOMINAZIONE BEZEICHNUNG DESCRIPTION DENOMINATION	Type 360	Subassembly 360-14/70
17	808.01.017.01	1 1	TAPPO BOUCHON PLUG TAPÓN STOPFEN		
18	819.01.610.01	1	TAPPO MAGNETICO BOUCHON MAGNETIQUE MAGNETIC PLUG TAPÓN MAGNÉTICO MAGNETSTOPFEN		
19	005.01.0118	1	CUSCINETTO A SFERE ROULEMENT A BILLES BALL BEARING COJINETE DE BOLAS RILLENKUGELLAGER		
20	001.03.4367	1	ANELLO DI TENUTA JOINT D'ETANCHEITE SEAL ANILLO DE ESTANQUEIDAD DICHRING		
21					
22					
23					
24					
25	722.14.006.01	1	COPERCHIO COUVERCLE COVER TAPA DECKEL		



Mod. 360/166

Technical documentation

DISTINTA PEZZI DI RICAMBIO
ERSATZTEILLISTE
LISTE DES PIECES DE RECHANGE
LIST OF SPARE PARTS

Descr. GEAR BOX

Drawing
360-14-0001

Page N. 4

Date 27/08/15

Pos.	NUMERO DISEGNO BESTELLNUMMER REFERENCE NUMERO PART NUMBER	Q.ty	DENOMINAZIONE BEZEICHNUNG DESCRIPTION DENOMINATION	Type 360	Subassembly 360-14/70
26	011.01.0223	8	ROSETTA ELASTICA RONDELLE ELASTIQUE SPRING WASHER ARANDELA ELÁSTICA FEDERRING		
27	016.36.4241	8	VITE VIS BOLT TORNILLO SCHRAUBE		
28	746.04.008.01	1	DADO ECROU NUT TUERCA MUTTER		
29	001.05.0044	1	ANELLO OR JOINT OR O - RING ANILLO TOROIDAL O - RING		
30	714.02.028.01	1	FLANGIA BRIDE FLANGE BRIDA FLANSCH		
31	702.01.003.01	1	TAPPO SFIATO RENIFLARD VENT TAPÓN DE RESPIRADERO ENTLUEFTER		
32	360.14.019.02	1	CILINDRO CILINDRE CYLINDER CILINDRO ZYLINDER		
33	013.01.0311 013.01.0313 013.01.0650	1 1 1	SPESSORE CALE SHIM ESPESOR PASS - SCHEIBE		



Mod. 360/166

Technical documentation

DISTINTA PEZZI DI RICAMBIO
ERSATZTEILLISTE
LISTE DES PIECES DE RECHANGE
LIST OF SPARE PARTS

Descr. GEAR BOX

Drawing
360-14-0001

Page N. 5

Date 27/08/15

Pos.	NUMERO DISEGNO BESTELLNUMMER REFERENCE NUMERO PART NUMBER	Q.ty	DENOMINAZIONE BEZEICHNUNG DESCRIPTION DENOMINATION	Type 360	Subassembly 360-14/70
34	002.01.0074	1	ANELLO DI SICUREZZA ARRETOIR CIRCLIP ANILLO DE SEGURIDAD SICHERUNGSRING		
35					
36	005.06.3677	1 1	CUSCINETTO A RULLI ROULEMENT A ROULEAUX ROLLER BEARING RODAMIENTO DE RODILLOS RILLENROLLENLAGER		
37	360.14.016.01	1	RONDELLA DI RASAMENTO RONDELLE FRICTION WASHER ARANDELA DE FRICCIÓN ANLAUFSSCHEIBE		
38	005.13.1165	1	GABBIA A RULLINI ROULEMENT A AIGUILLE NEEDLE BEARING JAULA DE RODILLOS NADELKAEFIG		
39	001.05.1592	1	ANELLO OR JOINT OR O - RING ANILLO TOROIDAL O - RING		
40	355.14.140.02	1	BUSSOLA MANCHON DE REDUCTION REDUCTION BUSHING CASQUILLO ZWISCHENBUCHSE		
41	001.05.0039	2	ANELLO OR JOINT OR O - RING ANILLO TOROIDAL O - RING		
42	001.05.0591	1	ANELLO OR JOINT OR O - RING ANILLO TOROIDAL O - RING		



Mod. 360/166

Technical documentation

DISTINTA PEZZI DI RICAMBIO
ERSATZTEILLISTE
LISTE DES PIECES DE RECHANGE
LIST OF SPARE PARTS

Descr. GEAR BOX

Drawing
360-14-0001

Page N. 6

Date 27/08/15

Pos.	NUMERO DISEGNO BESTELLNUMMER REFERENCE NUMERO PART NUMBER	Q.ty	DENOMINAZIONE BEZEICHNUNG DESCRIPTION DENOMINATION	Type 360	Subassembly 360-14/70
43	001.05.1587	1	ANELLO OR JOINT OR O - RING ANILLO TOROIDAL O - RING		
44	355.14.139.01	1	PISTONE PISTON PISTON PISTÓN KOLBEN		
45	002.01.1047	1	ANELLO DI SICUREZZA ARRETOIR CIRCLIP ANILLO DE SEGURIDAD SICHERUNGSRING		
46	001.05.0934	1	ANELLO OR JOINT OR O - RING ANILLO TOROIDAL O - RING		
47	001.05.1479	1	ANELLO OR JOINT OR O - RING ANILLO TOROIDAL O - RING		
48	001.14.3140	1	ANELLO DI TENUTA JOINT D'ETANCHEITE SEAL ANILLO DE ESTANQUEIDAD DICHRING		
49	016.08.1240	1	GRANO FILETTATO POINTEAU FILETE GRUB BOLT PASADOR GEWINDEKORN		
50	542.03.020.01	1	MOLLA RESSORT SPRING MUELLE FEDER		



Mod. 360/166

Technical documentation

DISTINTA PEZZI DI RICAMBIO
ERSATZTEILLISTE
LISTE DES PIECES DE RECHANGE
LIST OF SPARE PARTS

Descr. GEAR BOX

Drawing
360-14-0001

Page N. 7

Date 27/08/15

Pos.	NUMERO DISEGNO BESTELLNUMMER REFERENCE NUMERO PART NUMBER	Q.ty	DENOMINAZIONE BEZEICHNUNG DESCRIPTION DENOMINATION	Type 360	Subassembly 360-14/70
51	012.01.0249	1	SFERA BILLE DETEND BALL BOLA KUGEL		
52	011.07.1478	1	ROSETTA DI TENUTA BAGUE D'ETANCHEITE SEAL WASHER ARANDELA DE ESTANQUIDAD DICHRING		
53	932.03.600.04	1	INTERRUTTORE DI SICUREZZA DISJONCTEUR DE SURETE SECURITY SWITCH INTERRUPTOR DE SEGURIDAD ANLASSERSPERRE		
54	932.03.020.01	1	PROTEZIONE IN GOMMA CAPUCHON BOOT PROTECCIÓN DE GOMA SCHUTZKAPPE		
55	016.01.1946	4	VITE VIS BOLT TORNILLO SCHRAUBE		
56	723.14.053.01	1	LAMIERA TOLE SHEET CHAPA BLECH		
57	001.05.1436	1	ANELLO OR JOINT OR O - RING ANILLO TOROIDAL O - RING		
58	360.14.007.02	1	COPERCHIO COUVERCLE COVER TAPA DECKEL		



Mod. 360/166

Technical documentation

DISTINTA PEZZI DI RICAMBIO
ERSATZTEILLISTE
LISTE DES PIECES DE RECHANGE
LIST OF SPARE PARTS

Descr. GEAR BOX

Drawing
360-14-0001

Page N. 8

Date 27/08/15

Pos.	NUMERO DISEGNO BESTELLNUMMER REFERENCE NUMERO PART NUMBER	Q.ty	DENOMINAZIONE BEZEICHNUNG DESCRIPTION DENOMINATION	Type 360	Subassembly 360-14/70
59	001.05.1422	1	ANELLO OR JOINT OR O - RING ANILLO TOROIDAL O - RING		
60					
61	355.14.101.03	1	MANICOTTO SCORREVOLE MANCHON DE COMMANDE CHANGE SELECTOR MANGUITO DESLIZANTE SCHALTMUFFE		
62	360.14.015.01	1	LAMIERA DI PROTEZIONE PROTECTION EN TOLE COVER PLATE CHAPA DE PROTECCIÓN SCHUTZBLECH		
63	002.01.0076	1	ANELLO DI SICUREZZA ARRETOIR CIRCLIP ANILLO DE SEGURIDAD SICHERUNGSRING		
64	360.14.003.02	1	COPERCHIO COUVERCLE COVER TAPA DECKEL		
65	360.14.014.09	1	ALBERO USCITA ARBRE DE SORTIE OUTPUT SHAFT EJE DE SALIDA ABTRIEBSWELLE		
66					
67					
68	002.02.0860	1	ANELLO DI SICUREZZA ARRETOIR CIRCLIP		



Mod. 360/166

Technical documentation

DISTINTA PEZZI DI RICAMBIO
ERSATZTEILLISTE
LISTE DES PIÈCES DE RECHANGE
LIST OF SPARE PARTS

Descr. GEAR BOX

Drawing
360-14-0001

Page N. 9

Date 27/08/15

Pos.	NUMERO DISEGNO BESTELLNUMMER REFERENCE NUMERO PART NUMBER	Q.ty	DENOMINAZIONE BEZEICHNUNG DESCRIPTION DENOMINATION	Type 360	Subassembly 360-14/70
69			ANILLO DE SEGURIDAD SICHERUNGSRING		
70					
71					
72					
73					
74					
75					
76					
77	722.14.005.02	1	COPERCHIO COUVERCLE COVER TAPA DECKEL		



Mod. 360/166

Technical documentation

DISTINTA PEZZI DI RICAMBIO
ERSATZTEILLISTE
LISTE DES PIECES DE RECHANGE
LIST OF SPARE PARTS

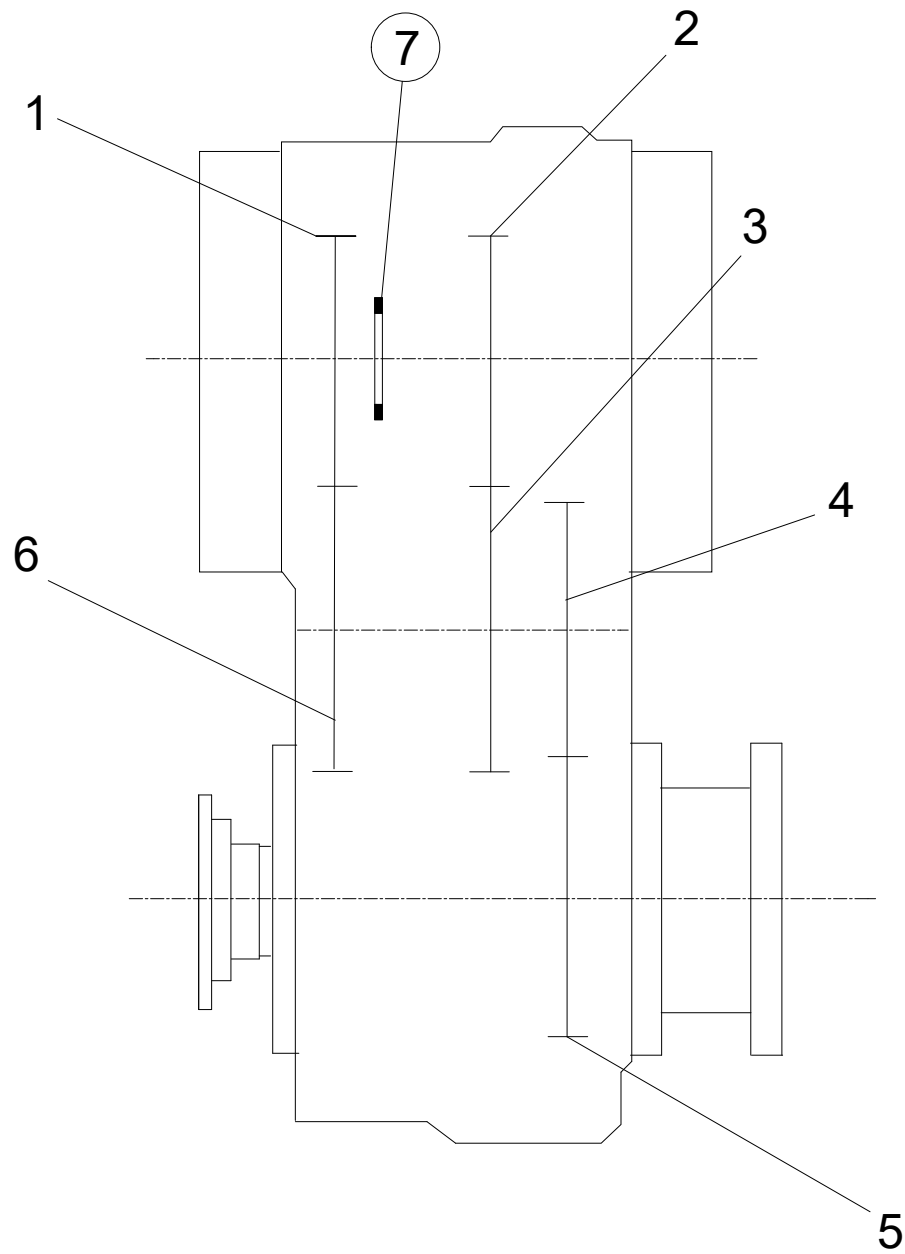
Descr. GEAR BOX

Drawing
360-14-0001


Page N. 10

Date 27/08/15

Pos.	NUMERO DISEGNO BESTELLNUMMER REFERENCE NUMERO PART NUMBER	Q.ty	DENOMINAZIONE BEZEICHNUNG DESCRIPTION DENOMINATION	Type 360	Subassembly 360-14/70
78	011.05.1876	4	ROSETTA RONDELLE LOCK WASHER RONDANA SCHEIBE		



7 OPTIONAL

	DANA ITALIA S.P.A.		GEARS	
	TECHNICAL DOCUMENTATION	Type 360	Tav. 360-14-0002	



Mod. 360/166

Technical documentation

DISTINTA PEZZI DI RICAMBIO
ERSATZTEILLISTE
LISTE DES PIECES DE RECHANGE
LIST OF SPARE PARTS

Descr. GEARS

Drawing
360-14-0002

Page N. 1

Date 27/08/15

Pos.	NUMERO DISEGNO BESTELLNUMMER REFERENCE NUMERO PART NUMBER	Q.ty	DENOMINAZIONE BEZEICHNUNG DESCRIPTION DENOMINATION	Type 360	Subassembly 360-3,27-1,42-A
1	360.14.012.02	1	INGRANAGGIO ENGRENAGE GEAR ENGRANAJE ZAHNRAD		
2	360.14.013.05	1	ALBERO ENTRATA ARBRE D'ENTREE INPUT SHAFT ÁRBOL DE TRANSMISIÓN ANTRIEBSWELLE		
3	360.14.010.03	1	INGRANAGGIO ENGRENAGE GEAR ENGRANAJE ZAHNRAD		
4	360.14.008.15	1	ALBERO ARBRE SHAFT ÁRBOL WELLE		
5	360.14.009.08	1	INGRANAGGIO ENGRENAGE GEAR ENGRANAJE ZAHNRAD		
6	360.14.011.02	1	INGRANAGGIO ENGRENAGE GEAR ENGRANAJE ZAHNRAD		

© Copyright 2015 Dana Holding Corporation

All content is subject to copyright by Dana and may not be reproduced in whole or in part by any means, electronic or otherwise, without prior written approval.

THIS INFORMATION IS NOT INTENDED FOR SALE OR RESALE, AND THIS NOTICE MUST REMAIN ON ALL COPIES.

For product inquiries or support,
visit www.dana.com or call 419-887-6445

For other service publications,
visit www.SpicerParts.com/literature.asp

For online service parts ordering,
visit www.SpicerParts.com/order.asp



SPICER[®]

Off-Highway Products



SPICER[®]

Off-Highway Products

Service Parts List

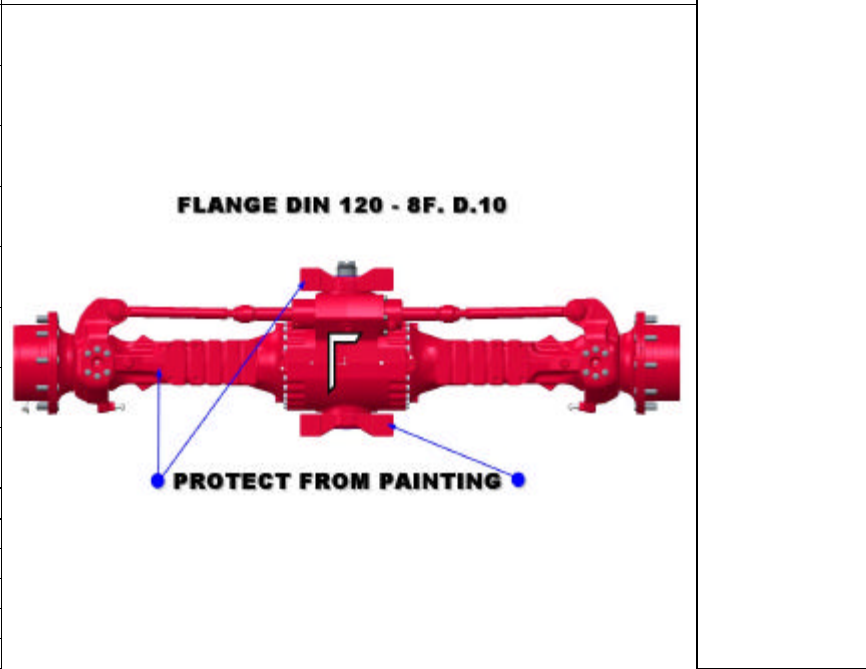
Axle 213/256

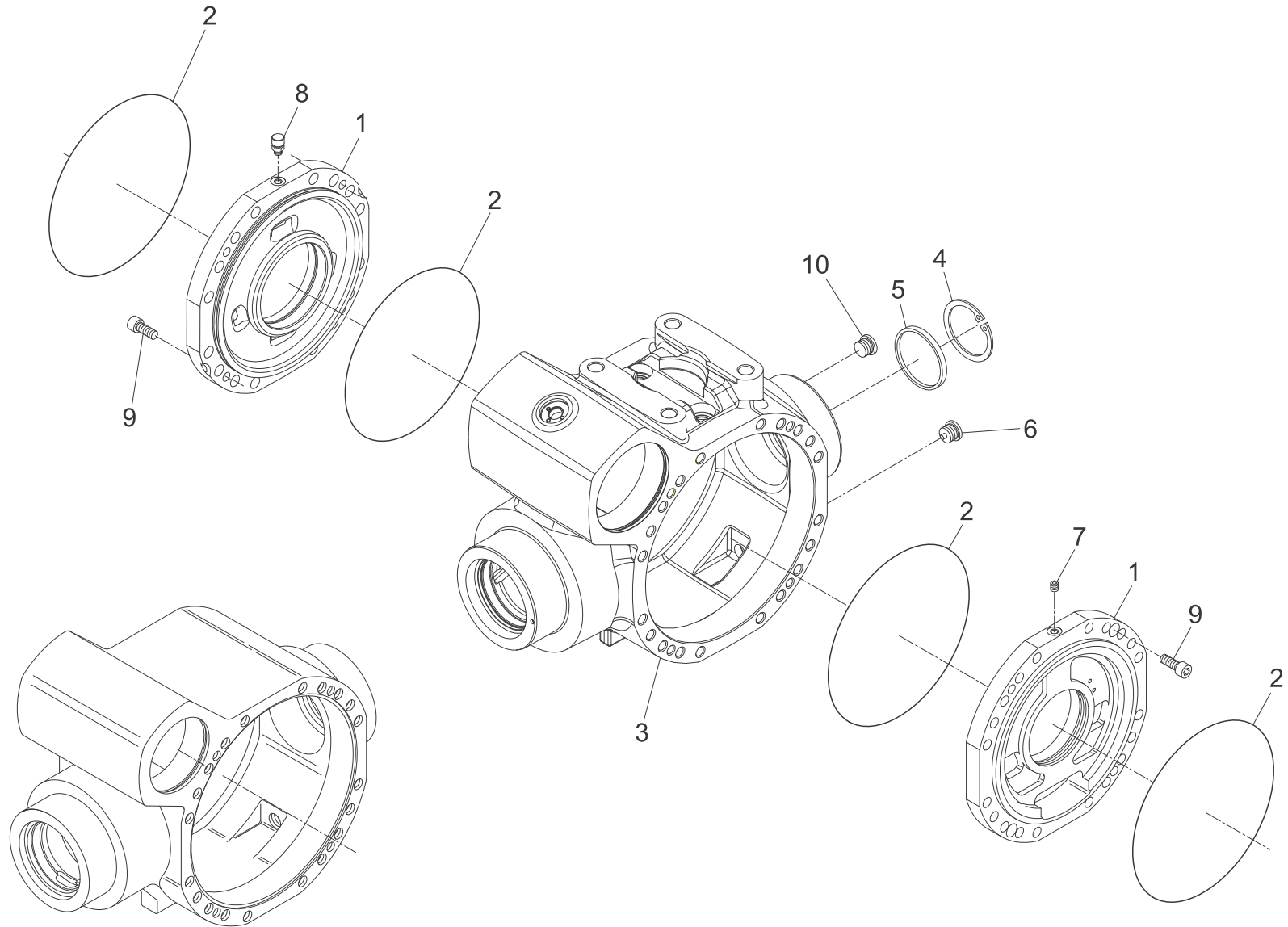
APL- 4639
August 2015



Description Steering planetary axle		Type 213	Model 256	Customer: TRANS-AUTO AB Cust. code: 050033 Drawing n° 213.97.000.256		ECO number and date	
Oil volume				Machine: AGROMETER		R	3104
				Notes		30/07/2015	
<p>Flange to flange [mm] 2050. Bevel gear set 9:33 Ring gear dia. 290 Final reduction ratio 1:6 - 4 planets dia. 335</p> <p>Steer angle [degrees] 38</p>				<p>- The axle will be send with oil - Paint the axle with black paint</p>			

Description	Assembly	Features	Assembly Dwg
Central housing	213-01/23		213.01.000.01
Differential	213-04/25	Limited slip 45%	113.04.000.04
Wheel hub	213-06/54	Studs M22 L=76	213.06.000.02
Brake	213-07/20	Wet disc brake - 6 discs Wellman - 1 mm play	213.07.000.01
Steering cylinder	213-24/10	180 BAR steering cylinder - Foreseen for optical sensor 45° forward - Input port 45° back - 3/4" 16UNF	213.24.000.01
Trunnion mount	213-25/04		213.25.000.01
Loose parts			





DANA ITALIA S.P.A.

CENTRAL HOUSING

TECHNICAL DOCUMENTATION

Type 213

Tav. 213-01-0005



Mod. 213/256

Technical documentation

DISTINTA PEZZI DI RICAMBIO
ERSATZTEILLISTE
LISTE DES PIECES DE RECHANGE
LIST OF SPARE PARTS

Descr. CENTRAL HOUSING

Drawing
213-01-0005

Page N. 1

Date 27/08/15

Pos.	NUMERO DISEGNO BESTELLNUMMER REFERENCE NUMERO PART NUMBER	Q.ty	DENOMINAZIONE BEZEICHNUNG DESCRIPTION DENOMINATION	Type 213	Subassembly 213-01/23
1	113.01.022.01	2	COPERCHIO INTERMEDIO COUVERCLE INTERMEDIAIRE INTERMEDIATE COVER TAPA DE INTERMEDIO ZWISCHENDECKEL		
2	001.05.2945	4	ANELLO OR JOINT OR O - RING ANILLO TOROIDAL O - RING		
3	213.01.010.02	1	SCATOLA CARTER HOUSING CAJA GEHAEUSE		
4	002.02.0088	1	ANELLO DI SICUREZZA ARRETOIR CIRCLIP ANILLO DE SEGURIDAD SICHERUNGSRING		
5	171.01.015.04	1	TAPPO BOUCHON PLUG TAPÓN STOPFEN		
6	112.01.610.03	1	TAPPO MAGNETICO BOUCHON MAGNETIQUE MAGNETIC PLUG TAPÓN MAGNÉTICO MAGNETSTOPFEN		
7	016.14.1138	1	VITE DI CHIUSURA VIS DE FERMETURE PLUG TAPÓN VERSCHLUSS-SCHRAUBE		
8	112.01.018.02	1	TAPPO SFIATO RENIFLARD VENT TAPÓN DE RESPIRADERO ENTLUEFTER		



Mod. 213/256

Technical documentation

DISTINTA PEZZI DI RICAMBIO
ERSATZTEILLISTE
LISTE DES PIÈCES DE RECHANGE
LIST OF SPARE PARTS

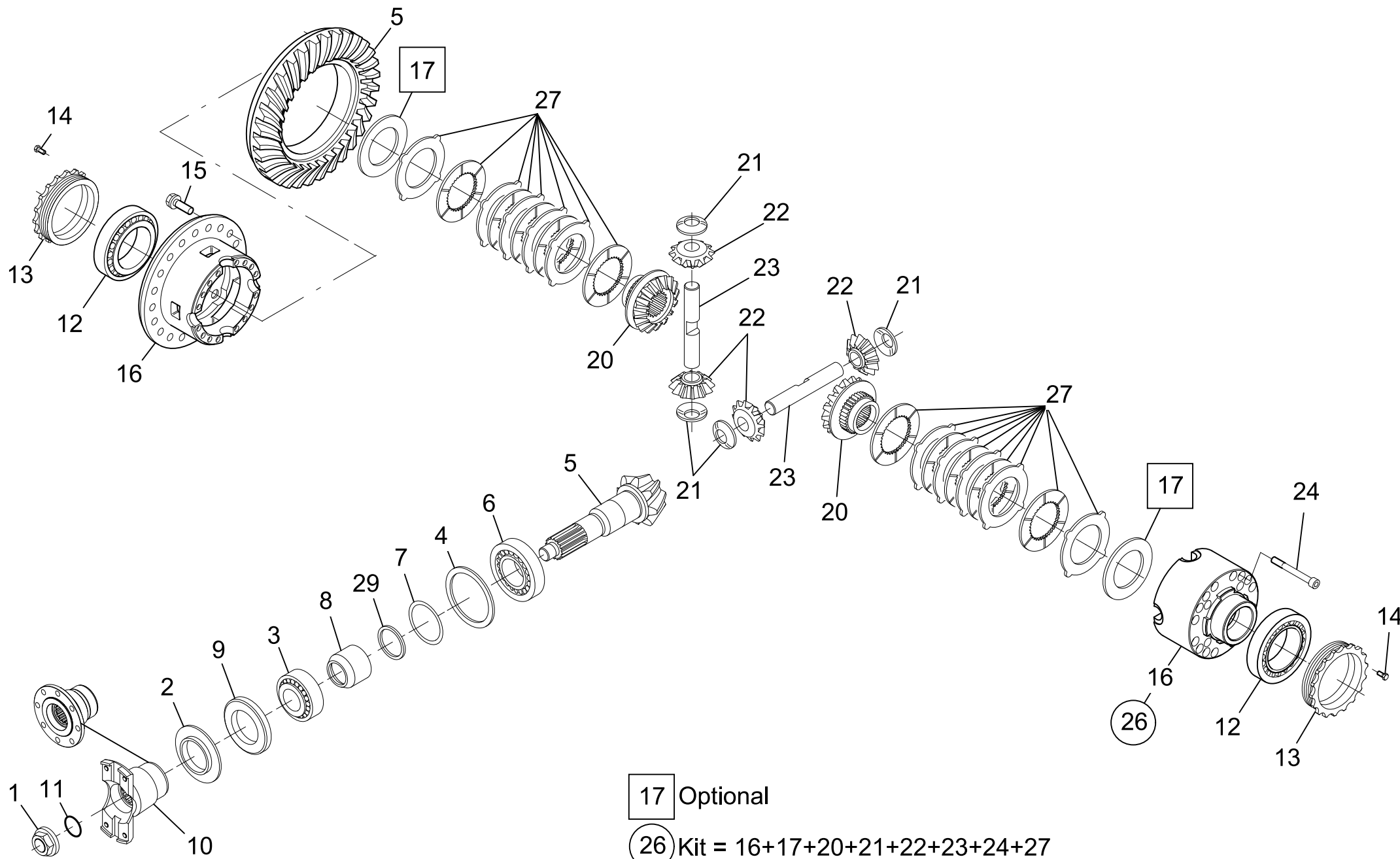
Descr. CENTRAL HOUSING

Drawing
213-01-0005

Page N. 2

Date 27/08/15

Pos.	NUMERO DISEGNO BESTELLNUMMER REFERENCE NUMERO PART NUMBER	Q.ty	DENOMINAZIONE BEZEICHNUNG DESCRIPTION DENOMINATION	Type 213	Subassembly 213-01/23
9	016.30.4244	4	VITE VIS BOLT TORNILLO SCHRAUBE		
10	112.01.610.01	1	TAPPO BOUCHON PLUG TAPÓN STOPFEN		



17 Optional

26 Kit = 16+17+20+21+22+23+24+27



DANA ITALIA S.P.A. **DIFFERENTIAL**

TECHNICAL DOCUMENTATION Type **213** Tav. **213-04-0007**

Free Numbers 25 - 19 - 18



Mod. 213/256

Technical documentation

DISTINTA PEZZI DI RICAMBIO
ERSATZTEILLISTE
LISTE DES PIECES DE RECHANGE
LIST OF SPARE PARTS

Descr. DIFFERENTIAL

Drawing
213-04-0007

Page N. 1

Date 27/08/15

Pos.	NUMERO DISEGNO BESTELLNUMMER REFERENCE NUMERO PART NUMBER	Q.ty	DENOMINAZIONE BEZEICHNUNG DESCRIPTION DENOMINATION	Type 213	Subassembly 213-04/25
1	734.04.035.01	1	DADO ECROU NUT TUERCA MUTTER		
2	276.01.005.01	1	LAMIERA DI PROTEZIONE PROTECTION EN TOLE COVER PLATE CHAPA DE PROTECCIÓN SCHUTZBLECH		
3	005.09.0831	1	CUSCINETTO A RULLI CONICI ROULEMENT A R. CONIQUES TAPER ROLLER BEARING COJINETE DE BOLAS KEGELROLLENLAGER		
4	013.01.0320 013.01.0321 013.01.0322 013.01.1201	1 1 1 1	SPESSORE CALE SHIM ESPESOR PASS - SCHEIBE		
5	113.04.500.01	1	COPPIA CONICA COUPLE CONIQUE BEVEL GEAR SET PAR CONICO KEGEL- UND TELLERRADPAAR		
6	005.10.1457	1	CUSCINETTO A RULLI CONICI ROULEMENT A R. CONIQUES TAPER ROLLER BEARING COJINETE DE BOLAS KEGELROLLENLAGER		
7	113.04.400.07	1	KIT ANELLI KIT ARRETOIR RING KIT KIT DE ANILLO RINGE KIT		
8	113.04.048.01	1	DISTANZIALE ENTRETOISE SPACER DISTANCIADOR DISTANZRING		



Mod. 213/256

Technical documentation

DISTINTA PEZZI DI RICAMBIO
ERSATZTEILLISTE
LISTE DES PIECES DE RECHANGE
LIST OF SPARE PARTS

Descr. DIFFERENTIAL

Drawing
213-04-0007

Page N. 2

Date 27/08/15

Pos.	NUMERO DISEGNO BESTELLNUMMER REFERENCE NUMERO PART NUMBER	Q.ty	DENOMINAZIONE BEZEICHNUNG DESCRIPTION DENOMINATION	Type 213	Subassembly 213-04/25
9	001.13.4015	1	ANELLO DI TENUTA JOINT D'ETANCHEITE SEAL ANILLO DE ESTANQUEIDAD DICHRING		
10	734.04.013.03	1	FLANGIA BRIDE FLANGE BRIDA FLANSCH		
11	001.05.0818	1	ANELLO OR JOINT OR O - RING ANILLO TOROIDAL O - RING		
12	005.09.0762	2	CUSCINETTO A RULLI CONICI ROULEMENT A R. CONIQUES TAPER ROLLER BEARING COJINETE DE BOLAS KEGELROLLENLAGER		
13	194.04.001.01	2	GHIERA ECROU RING NUT ABRAZADERA WELLENMUTTER		
14	016.30.4162	2	VITE VIS BOLT TORNILLO SCHRAUBE		
15	016.28.3390	20	VITE VIS BOLT TORNILLO SCHRAUBE		
16	113.04.706.02	1	SCATOLA DIFFERENZIALE CARTER DIFFERENTIEL DIFFERENTIAL CARRIER CAJA DE DIFERENCIAL DIFFERENTIALGEHAEUSE		



Mod. 213/256

Technical documentation

DISTINTA PEZZI DI RICAMBIO
ERSATZTEILLISTE
LISTE DES PIÈCES DE RECHANGE
LIST OF SPARE PARTS

Descr. DIFFERENTIAL

Drawing
213-04-0007

Page N. 3

Date 27/08/15

Pos.	NUMERO DISEGNO BESTELLNUMMER REFERENCE NUMERO PART NUMBER	Q.ty	DENOMINAZIONE BEZEICHNUNG DESCRIPTION DENOMINATION	Type 213	Subassembly 213-04/25
17					
18					
19					
20	113.04.045.01	2	PLANETARIO PLANETAIRE DIFFERENTIAL SIDE GEAR PLANETARIO AUSGLEICHSWELLENRAD		
21	139.04.001.01	4	RONDELLA DI RASAMENTO RONDELLE FRICTION WASHER ARANDELA DE FRICCIÓN ANLAUFSCHEIBE		
22	113.04.043.01	4	SATELLITE SATELLITE DIFFERENTIAL PINION ENGRANAJE SATÉLITE AUSGLEICHSCHEGELRAD		
23	139.04.002.02	2	PERNO DIFFERENZIALE AXE DIFFERENTIAL SHAFT PERNO DE DIFERENCIAL AUSGLEICHSBOLZEN		
24	016.38.4239	15	VITE VIS BOLT TORNILLO SCHRAUBE		
25					
26	113.04.755.02	1	DIFFERENZIALE DIFFERENTIEL DIFFERENTIAL DIFERENCIAL		



Mod. 213/256

Technical documentation

DISTINTA PEZZI DI RICAMBIO
ERSATZTEILLISTE
LISTE DES PIECES DE RECHANGE
LIST OF SPARE PARTS

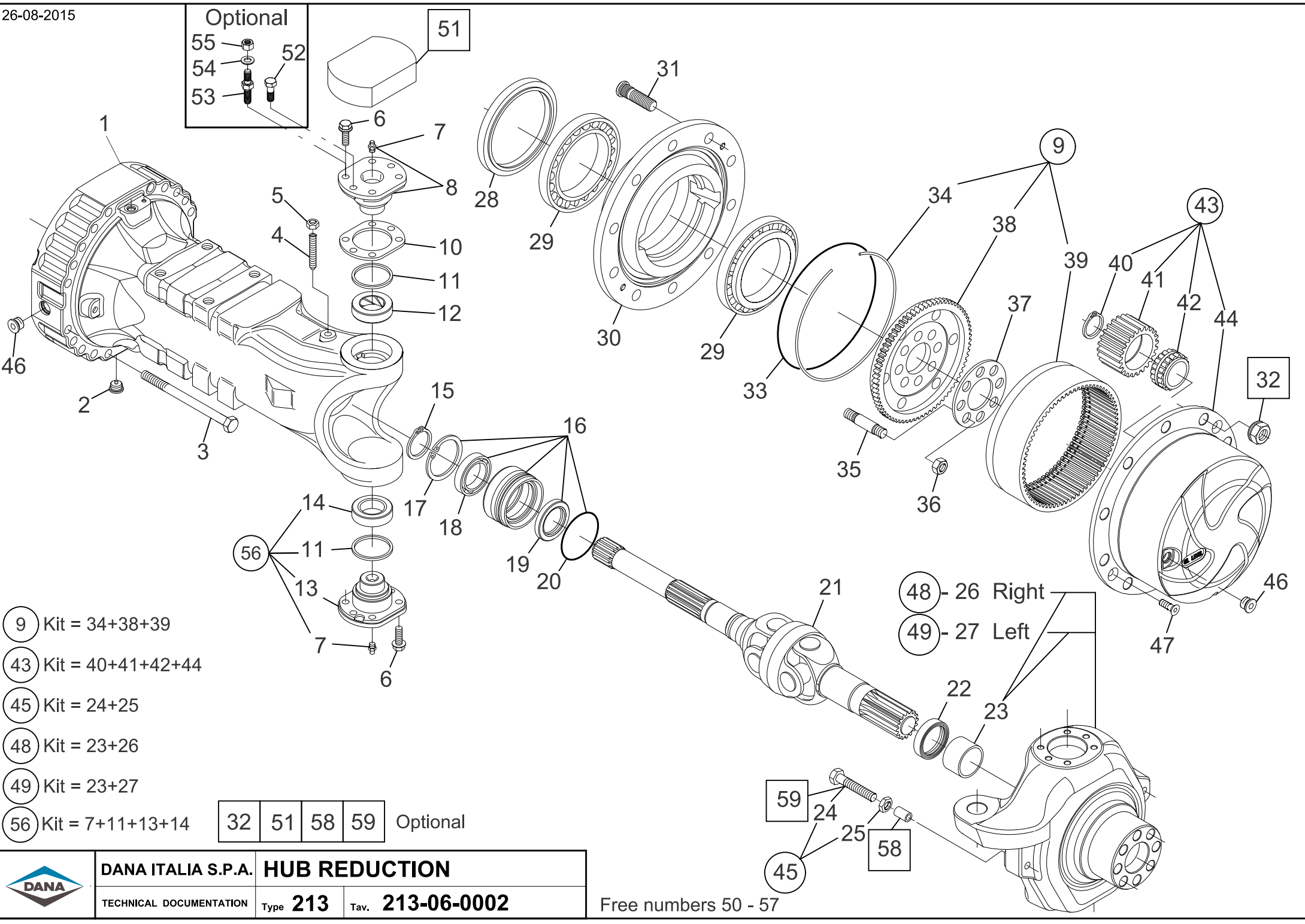
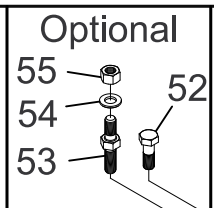
Descr. DIFFERENTIAL

Drawing
213-04-0007

Page N. 4

Date 27/08/15

Pos.	NUMERO DISEGNO BESTELLNUMMER REFERENCE NUMERO PART NUMBER	Q.ty	DENOMINAZIONE BEZEICHNUNG DESCRIPTION DENOMINATION	Type 213	Subassembly 213-04/25
27	113.04.610.01	2	DIFFERENTIAL DISCO FRIZIONE DISQUE D'EMBRAJAGE CLUTCH DISC DISCO DE EMBRAGUE KUPPLUNGSSCHEIBE		



- 9 Kit = 34+38+39
- 43 Kit = 40+41+42+44
- 45 Kit = 24+25
- 48 Kit = 23+26
- 49 Kit = 23+27
- 56 Kit = 7+11+13+14

32	51	58	59	Optional
----	----	----	----	----------

48 - 26 Right
49 - 27 Left



Mod. 213/256

Technical documentation

DISTINTA PEZZI DI RICAMBIO
ERSATZTEILLISTE
LISTE DES PIECES DE RECHANGE
LIST OF SPARE PARTS

Descr. HUB REDUCTION

Drawing
213-06-0002

Page N. 1

Date 27/08/15

Pos.	NUMERO DISEGNO BESTELLNUMMER REFERENCE NUMERO PART NUMBER	Q.ty	DENOMINAZIONE BEZEICHNUNG DESCRIPTION DENOMINATION	Type 213	Subassembly 213-06/54
1	213.06.033.10	2	BRACCIO CORPS D'ESSIEU AXLE CASE BRAZO ACHSKOERPER		
2	112.01.610.03	2	TAPPO MAGNETICO BOUCHON MAGNETIQUE MAGNETIC PLUG TAPÓN MAGNÉTICO MAGNETSTOPFEN		
3	112.06.070.08	40	VITE VIS BOLT TORNILLO SCHRAUBE		
4	016.13.3392	2	VITE VIS BOLT TORNILLO SCHRAUBE		
5	006.03.0197	2	DADO ECROU NUT TUERCA MUTTER		
6	016.34.4287	24	VITE VIS BOLT TORNILLO SCHRAUBE		
7	008.01.0213	2 2	INGRASSATORE GRAISSEUR GREASE FITTING ENGRASADOR KEGEL - SCHMIERNIPPEL		
8	213.06.707.03	2	PERNO SNODO PIVOT DE DIRECTION PIVOT PIN PERNO DE DIRECCIÓN ACHSSCHENKELBOLZEN		



Mod. 213/256

Technical documentation

DISTINTA PEZZI DI RICAMBIO
ERSATZTEILLISTE
LISTE DES PIECES DE RECHANGE
LIST OF SPARE PARTS

Descr. HUB REDUCTION

Drawing
213-06-0002

Page N. 2

Date 27/08/15

Pos.	NUMERO DISEGNO BESTELLNUMMER REFERENCE NUMERO PART NUMBER	Q.ty	DENOMINAZIONE BEZEICHNUNG DESCRIPTION DENOMINATION	Type 213	Subassembly 213-06/54
9	113.06.708.03	2	SUPPORTO PORTACORONA SUPPORT PORTE COURONNE RING GEAR SUPPORT SOPORTE DE CORONA HOHLRADTRAEGER		
10	212.06.026.01 212.06.026.02 212.06.026.03	2 2 2	SPESORE CALE SHIM ESPESOR PASS - SCHEIBE		
11	213.06.006.03	2 2	ANELLO PARAPOLVERE BAGUE ANTI-POUSSIERE DUST EXCLUDER ANILLO DE POLVO STAUBABWEHRRING		
12	290.06.015.02	2	BOCCOLA DOUILLE BUSHING CASQUILLO GUÍA BUCHSE		
13					
14	290.06.016.01	2	CUSCINETTO ROULEMENT BEARING COJINETE LAGER		
15	002.01.0078	2	ANELLO DI SICUREZZA ARRETOIR CIRCLIP ANILLO DE SEGURIDAD SICHERUNGSRING		
16	212.06.700.01	2	BUSSOLA MANCHON DE REDUCTION REDUCTION BUSHING CASQUILLO ZWISCHENBUCHSE		
17	002.02.0088	2	ANELLO DI SICUREZZA ARRETOIR CIRCLIP ANILLO DE SEGURIDAD SICHERUNGSRING		



Mod. 213/256

Technical documentation

DISTINTA PEZZI DI RICAMBIO
ERSATZTEILLISTE
LISTE DES PIECES DE RECHANGE
LIST OF SPARE PARTS

Descr. HUB REDUCTION

Drawing
213-06-0002

Page N. 3

Date 27/08/15

Pos.	NUMERO DISEGNO BESTELLNUMMER REFERENCE NUMERO PART NUMBER	Q.ty	DENOMINAZIONE BEZEICHNUNG DESCRIPTION DENOMINATION	Type 213	Subassembly 213-06/54
18	005.01.0121	2	CUSCINETTO A SFERE ROULEMENT A BILLES BALL BEARING COJINETE DE BOLAS RILLENKUGELLAGER		
19	729.06.009.01	2	ANELLO DI TENUTA JOINT D'ETANCHEITE SEAL ANILLO DE ESTANQUEIDAD DICHRING		
20	001.05.1389	2	ANELLO OR JOINT OR O - RING ANILLO TOROIDAL O - RING		
21	213.06.610.14	2	DOPPIO GIUNTO CARDANICO DOUBLE JOINT CARDAN DOUBLE UNIVERSAL JOINT JUNTA CARDAN DE DOBLE CRUCETA KARDAN-DOPPELGELENKWELLE		
22	213.06.015.01	2	ANELLO DI TENUTA JOINT D'ETANCHEITE SEAL ANILLO DE ESTANQUEIDAD DICHRING		
23	290.06.020.03	1 1	BRONZINA DOUILLE THRUST BUSHING BUJE ANLAUFBUCHSE		
24	213.06.011.01	4	VITE VIS BOLT TORNILLO SCHRAUBE		
25	006.05.1521	4	DADO ECROU NUT TUERCA MUTTER		



Mod. 213/256

Technical documentation

DISTINTA PEZZI DI RICAMBIO
ERSATZTEILLISTE
LISTE DES PIECES DE RECHANGE
LIST OF SPARE PARTS

Descr. HUB REDUCTION

Drawing
213-06-0002

Page N. 4

Date 27/08/15

Pos.	NUMERO DISEGNO BESTELLNUMMER REFERENCE NUMERO PART NUMBER	Q.ty	DENOMINAZIONE BEZEICHNUNG DESCRIPTION DENOMINATION	Type 213	Subassembly 213-06/54
26					
27					
28	123.06.016.03	2	ANELLO DI TENUTA JOINT D'ETANCHEITE SEAL ANILLO DE ESTANQUEIDAD DICHRING		
29	005.10.1427	4	CUSCINETTO A RULLI CONICI ROULEMENT A R. CONIQUES TAPER ROLLER BEARING COJINETE DE BOLAS KEGELROLLENLAGER		
30	213.06.004.01	2	MOZZO RUOTA MOYEU DE ROUE WHEEL HUB CUBO DE MAZA RADNABE		
31	932.06.074.01	20	COLONNETTA GOJON DE ROUE WHEEL STUD PRISIONERO RADBOLZEN		
32	006.08.2833	20	DADO A SEDE SFERICA ECROU DEMI-SPHERIQUE WHEEL NUT TURCA ASIANTA ESFÉRICA KUGELBUNDMUTTER		
33	001.05.1119	2	ANELLO OR JOINT OR O - RING ANILLO TOROIDAL O - RING		
34	290.06.014.02	2	ANELLO DI SICUREZZA ARRETOIR CIRCLIP ANILLO DE SEGURIDAD SICHERUNGSRING		



Mod. 213/256

Technical documentation

DISTINTA PEZZI DI RICAMBIO
ERSATZTEILLISTE
LISTE DES PIECES DE RECHANGE
LIST OF SPARE PARTS

Descr. HUB REDUCTION

Drawing
213-06-0002

Page N. 5

Date 27/08/15

Pos.	NUMERO DISEGNO BESTELLNUMMER REFERENCE NUMERO PART NUMBER	Q.ty	DENOMINAZIONE BEZEICHNUNG DESCRIPTION DENOMINATION	Type 213	Subassembly 213-06/54
35	176.06.065.02	16	PRIGIONIERO GOUJON STUD PRISIONERO STIFTSCHRAUBE		
36	006.22.4177	16	DADO ECROU NUT TUERCA MUTTER		
37	113.06.007.01	2	LAMIERA DI SICUREZZA TOLE DE SECURITE LOCKING PLATE BLOQUEO DE LA CUBIERTA SICHERUNGSBLECH		
38	113.06.008.01	2	SUPPORTO PORTACORONA SUPPORT PORTE COURONNE RING GEAR SUPPORT SOPORTE DE CORONA HOHLRADTRAEGER		
39	290.06.010.07	2	CORONA DENTATA COURONNE DENTEE RING GEAR CORONA DENTADA ZAHNKRANZ		
40	002.14.3202	8	ANELLO D'ARRESTO BAGUE D'ARRET SNAP RING ARO DE RETENCIÓN SPRENGRING		
41	290.06.011.02	8	SATELLITE (PLAN.) SATELLITE PLANET GEAR ENGRANAJE PLANETARIO PLANETENRAD		
42	290.06.013.03	8	CUSCINETTO ROULEMENT BEARING COJINETE LAGER		



Mod. 213/256

Technical documentation

DISTINTA PEZZI DI RICAMBIO
ERSATZTEILLISTE
LISTE DES PIECES DE RECHANGE
LIST OF SPARE PARTS

Descr. HUB REDUCTION

Drawing
213-06-0002

Page N. 6

Date 27/08/15

Pos.	NUMERO DISEGNO BESTELLNUMMER REFERENCE NUMERO PART NUMBER	Q.ty	DENOMINAZIONE BEZEICHNUNG DESCRIPTION DENOMINATION	Type 213	Subassembly 213-06/54
43	213.06.710.06	2	SUPPORTO SATELLITI SUPPORT SATELLITES PLANET GEAR CARRIER TAPA PORTASATÉLITES PLANETENGEHAEUSE		
44	194.06.003.02	2	SUPPORTO SATELLITI SUPPORT SATELLITES PLANET GEAR CARRIER TAPA PORTASATÉLITES PLANETENGEHAEUSE		
45	213.06.711.01	4	VITE DI FERMO STERZO VIS D'ARRET BRAQUAGE STEERING ADJUST BOLT TORNILLO DE TOPE DE DIRECCIÓN LENKEINSCHLAGSCHRAUBE		
46	112.01.610.01	4	TAPPO BOUCHON PLUG TAPÓN STOPFEN		
47	016.06.0442	4	VITE A TESTA CONICA VIS A TETE CONIQUE COUNTERSUNK BOLT TORNILLO DE CABEZA CONICA SENKSCHRAUBE		
48	213.06.727.01	1	SCATOLA SNODO BOITIER DE DIRECTION STEERING CASE EJE DE ARTICULACIÓN GELENKGEHAEUSE		
49	213.06.726.01	1	SCATOLA SNODO BOITIER DE DIRECTION STEERING CASE EJE DE ARTICULACIÓN GELENKGEHAEUSE		
50	213.06.710.08	2	SUPPORTO SATELLITI SUPPORT SATELLITES PLANET GEAR CARRIER TAPA PORTASATÉLITES PLANETENGEHAEUSE		



Mod. 213/256

Technical documentation

DISTINTA PEZZI DI RICAMBIO
ERSATZTEILLISTE
LISTE DES PIÈCES DE RECHANGE
LIST OF SPARE PARTS

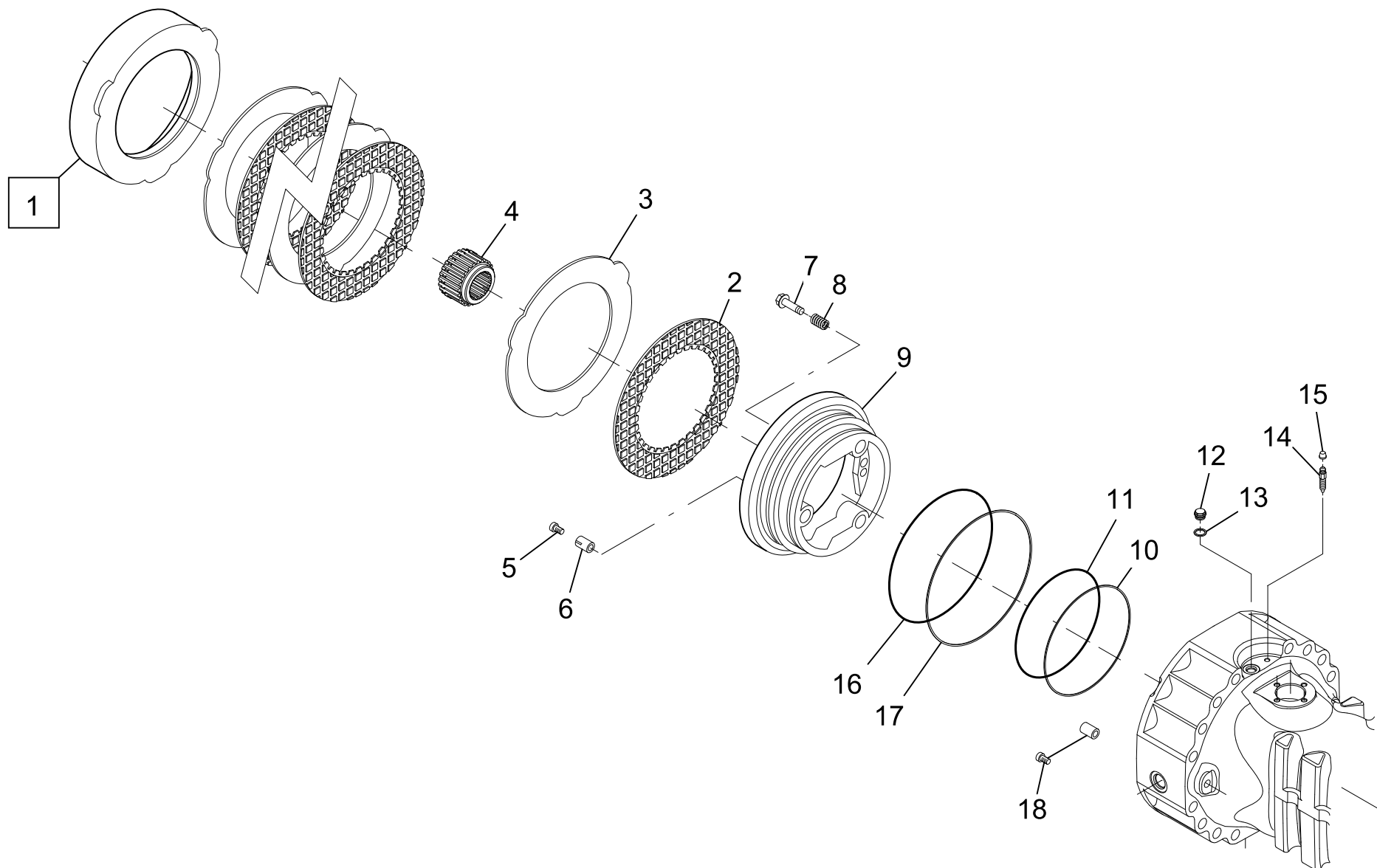
Descr. HUB REDUCTION

Drawing
213-06-0002


Page N. 7

Date 27/08/15

Pos.	NUMERO DISEGNO BESTELLNUMMER REFERENCE NUMERO PART NUMBER	Q.ty	DENOMINAZIONE BEZEICHNUNG DESCRIPTION DENOMINATION	Type 213	Subassembly 213-06/54
51	212.06.007.03	2	COPERCHIO COUVERCLE COVER TAPA DECKEL		
52					
53					
54					
55					
56	213.06.701.04	2	PERNO SNODO PIVOT DE DIRECTION PIVOT PIN PERNO DE DIRECCIÓN ACHSSCHENKELBOLZEN		



1 OPTIONAL

	DANA ITALIA S.P.A. BRAKES	
	TECHNICAL DOCUMENT	Type 213 Tav. 213-07-0003



Mod. 213/256

Technical documentation

DISTINTA PEZZI DI RICAMBIO
ERSATZTEILLISTE
LISTE DES PIECES DE RECHANGE
LIST OF SPARE PARTS

Descr. BRAKES

Drawing
213-07-0003

Page N. 1

Date 27/08/15

Pos.	NUMERO DISEGNO BESTELLNUMMER REFERENCE NUMERO PART NUMBER	Q.ty	DENOMINAZIONE BEZEICHNUNG DESCRIPTION DENOMINATION	Type 213	Subassembly 213-07/20
1					
2	113.07.610.01	6	DISCO FRENO DISQUE DE FREIN BRAKE DISC DISCO DE FRENO BREMSSCHEIBE		
3	154.07.001.01	6	DISCO FRENO INTERMEDIO DISQUE INTERMEDIAIRE INTERMEDIATE BRAKE DISC DISCO DE FRENO INTERMEDIO GEGENLAMELLE		
4	113.07.014.02	2	BUSSOLA MANCHON DE REDUCTION REDUCTION BUSHING CASQUILLO ZWISCHENBUCHSE		
5					
6	112.07.002.03	6	MOLLA RESSORT SPRING MUELLE FEDER		
7	112.07.037.09 154.06.014.03	6 6	VITE REGISTRO VIS DE REGLAGE ADJUSTING BOLT TORNILLO EN REGISTRO NACHSTELLSCHRAUBE		
8	171.07.010.02	6	MOLLA RESSORT SPRING MUELLE FEDER		
9	123.07.010.05	2	PISTONE PISTON PISTON PISTÓN KOLBEN		



Mod. 213/256

Technical documentation

DISTINTA PEZZI DI RICAMBIO
ERSATZTEILLISTE
LISTE DES PIECES DE RECHANGE
LIST OF SPARE PARTS

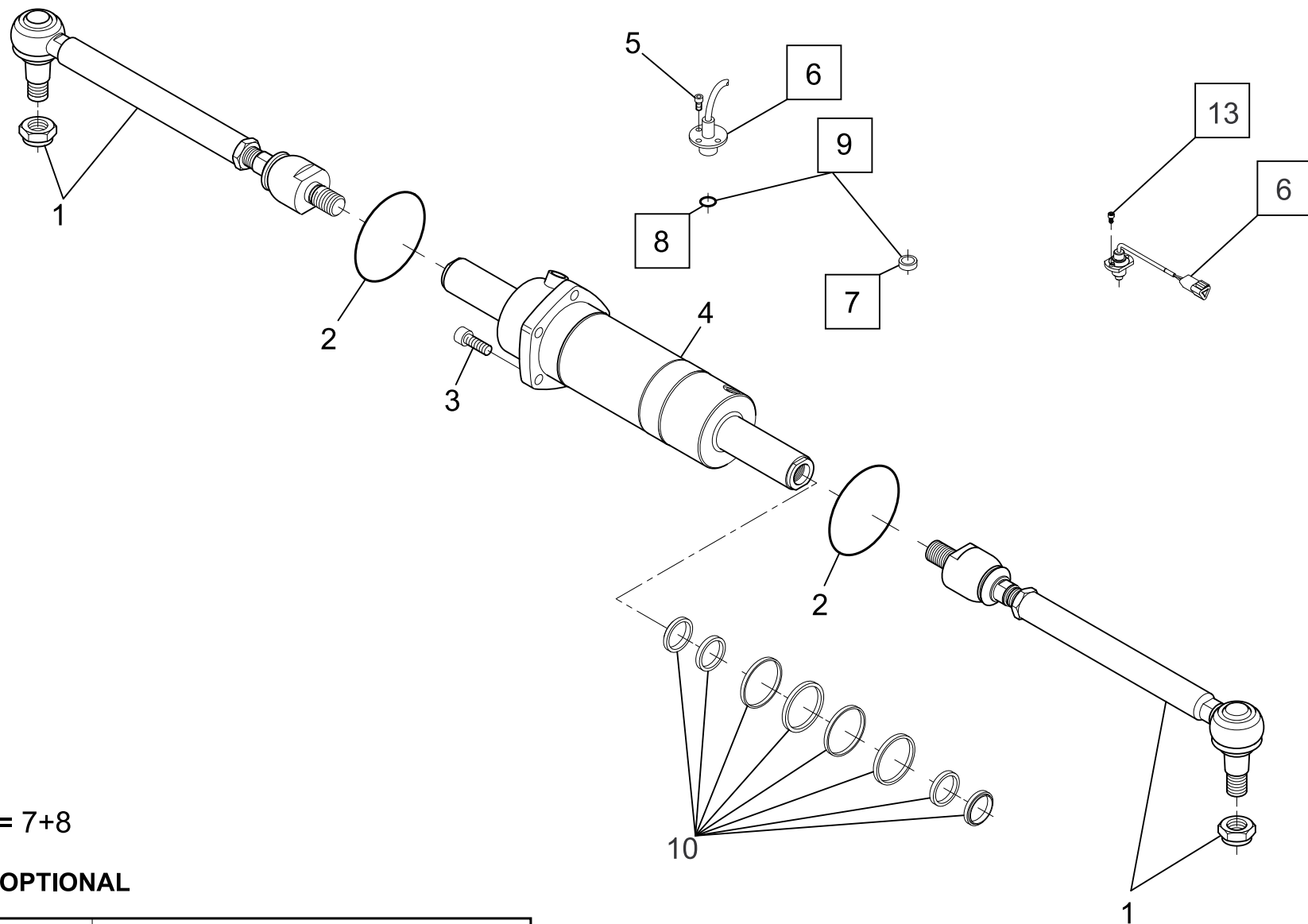
Descr. BRAKES

Drawing
213-07-0003

Page N. 2

Date 27/08/15

Pos.	NUMERO DISEGNO BESTELLNUMMER REFERENCE NUMERO PART NUMBER	Q.ty	DENOMINAZIONE BEZEICHNUNG DESCRIPTION DENOMINATION	Type 213	Subassembly 213-07/20
10	123.07.022.01	2	ANELLO DI TENUTA JOINT D'ETANCHEITE SEAL ANILLO DE ESTANQUEIDAD DICHRING		
11					
12	112.07.615.01	2	TAPPO BOUCHON PLUG TAPÓN STOPFEN		
13					
14	734.07.014.02	2	VITE SPURGO VIS DE PURGE BLEEDING BOLT PURGADOR ABBLASESCHRAUBE		
15	734.07.015.01	2	TAPPO BOUCHON PLUG TAPÓN STOPFEN		
16					
17	123.07.021.01	2	ANELLO DI TENUTA JOINT D'ETANCHEITE SEAL ANILLO DE ESTANQUEIDAD DICHRING		
18	162.07.004.05	2	VITE SPINA VIS A BROCHE PILOT BOLT TORNILLO DE ENCHUFE FUEHRUNGSSCHRAUBE		



9 OPTIONAL Kit = 7+8

6 7 8 13 OPTIONAL



DANA ITALIA S.P.A. **STEERING**

TECHNICAL DOCUMENTATION Type **213** Tav. **213-24-0001**



Mod. 213/256

Technical documentation

DISTINTA PEZZI DI RICAMBIO
ERSATZTEILLISTE
LISTE DES PIECES DE RECHANGE
LIST OF SPARE PARTS

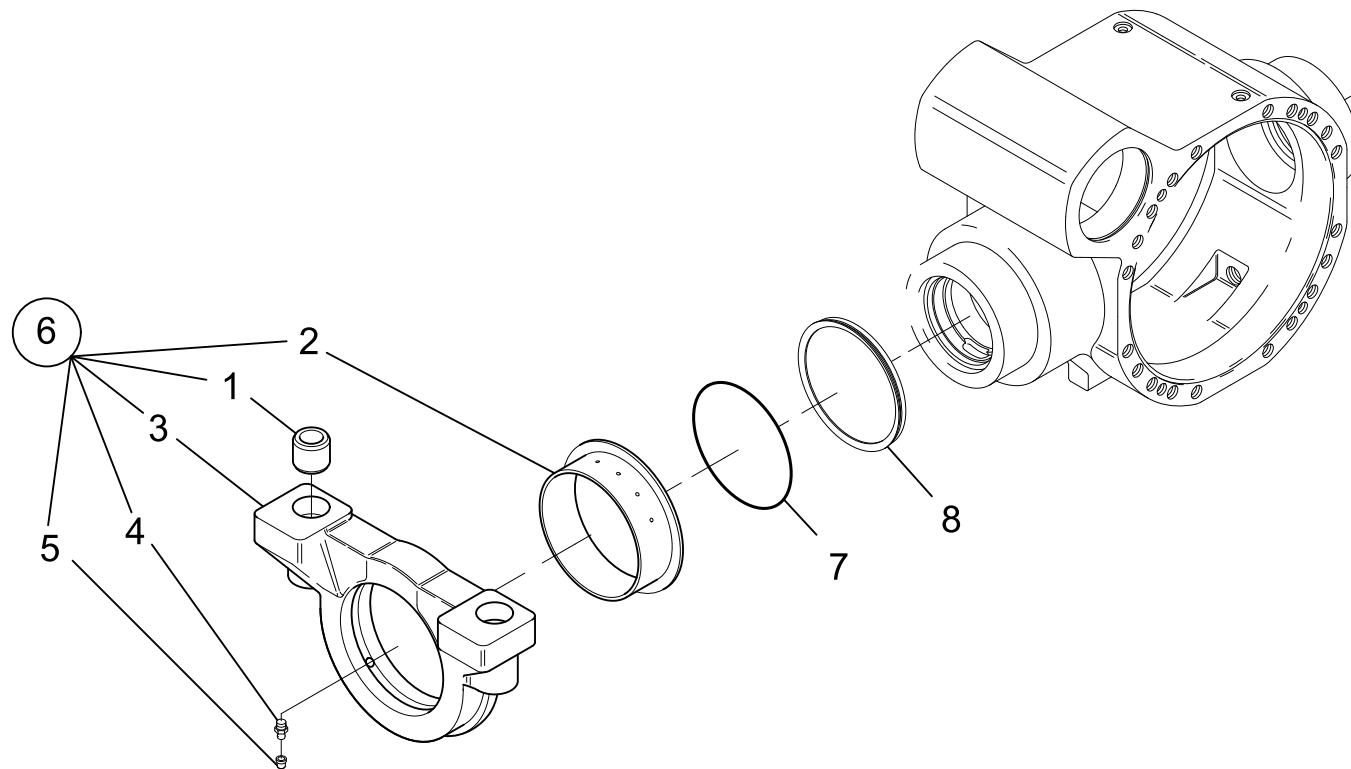
Descr. STEERING

Drawing
213-24-0001

Page N. 1

Date 27/08/15

Pos.	NUMERO DISEGNO BESTELLNUMMER REFERENCE NUMERO PART NUMBER	Q.ty	DENOMINAZIONE BEZEICHNUNG DESCRIPTION DENOMINATION	Type 213	Subassembly 213-24/10
1	213.24.621.15	2	ASTA ASSIALE ARTICOLATA TIGE AXIALE ARTICULEE ARTICULATED TIE ROD VARILLA AXIAL ARTICULADO GELENKTESPURSTANGE		
2	001.05.1120	2	ANELLO OR JOINT OR O - RING ANILLO TOROIDAL O - RING		
3	016.30.4244	5	VITE VIS BOLT TORNILLO SCHRAUBE		
4	213.24.620.13	1	CILINDRO CILINDRE CYLINDER CILINDRO ZYLINDER		
5	016.08.2069	3	VITE VIS BOLT TORNILLO SCHRAUBE		
6					
7	015.01.0360	1	TAPPO BOUCHON PLUG TAPÓN STOPFEN		
8					
9					
10	213.24.450.13	1			



6 KIT = 1+2+3+4+5



DANA ITALIA S.P.A.

TRUNION

TECHNICAL DOCUMENTATION

Type **213**

Tav. **213-25-0001**



Mod. 213/256

Technical documentation

DISTINTA PEZZI DI RICAMBIO
ERSATZTEILLISTE
LISTE DES PIECES DE RECHANGE
LIST OF SPARE PARTS

Descr. TRUNION

Drawing
213-25-0001

Page N. 1

Date 27/08/15

Pos.	NUMERO DISEGNO BESTELLNUMMER REFERENCE NUMERO PART NUMBER	Q.ty	DENOMINAZIONE BEZEICHNUNG DESCRIPTION DENOMINATION	Type 213	Subassembly 213-25/04
1	276.25.002.02	4	BUSSOLA MANCHON DE REDUCTION BUSHING CASQUILLO BUCHSE		
2	276.25.003.01	2	BRONZINA DOUILLE THRUST BUSHING BUJE ANLAUFBUCHSE		
3					
4	008.01.0213	2	INGRASSATORE GRAISSEUR GREASE FITTING ENGRASADOR KEGEL - SCHMIERNIPPEL		
5	734.07.015.01	2	TAPPO BOUCHON PLUG TAPÓN STOPFEN		
6	213.25.615.01	2	SUPPORTO SUPPORT SUPPORT SOPORTE HALTERUNG		

© Copyright 2015 Dana Holding Corporation

All content is subject to copyright by Dana and may not be reproduced in whole or in part by any means, electronic or otherwise, without prior written approval.

THIS INFORMATION IS NOT INTENDED FOR SALE OR RESALE, AND THIS NOTICE MUST REMAIN ON ALL COPIES.

For product inquiries or support,
visit www.dana.com or call 419-887-6445

For other service publications,
visit www.SpicerParts.com/literature.asp

For online service parts ordering,
visit www.SpicerParts.com/order.asp



SPICER®

Off-Highway Products