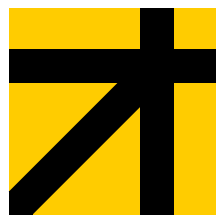


Pump Unit

Spare Parts for
DP201
Model year 2008 -



| | |
|-----------------|---|
| Date: 23/4-2015 | Pump Unit DP201 Model year 2008 - |
| 2 | |

Table of Contents

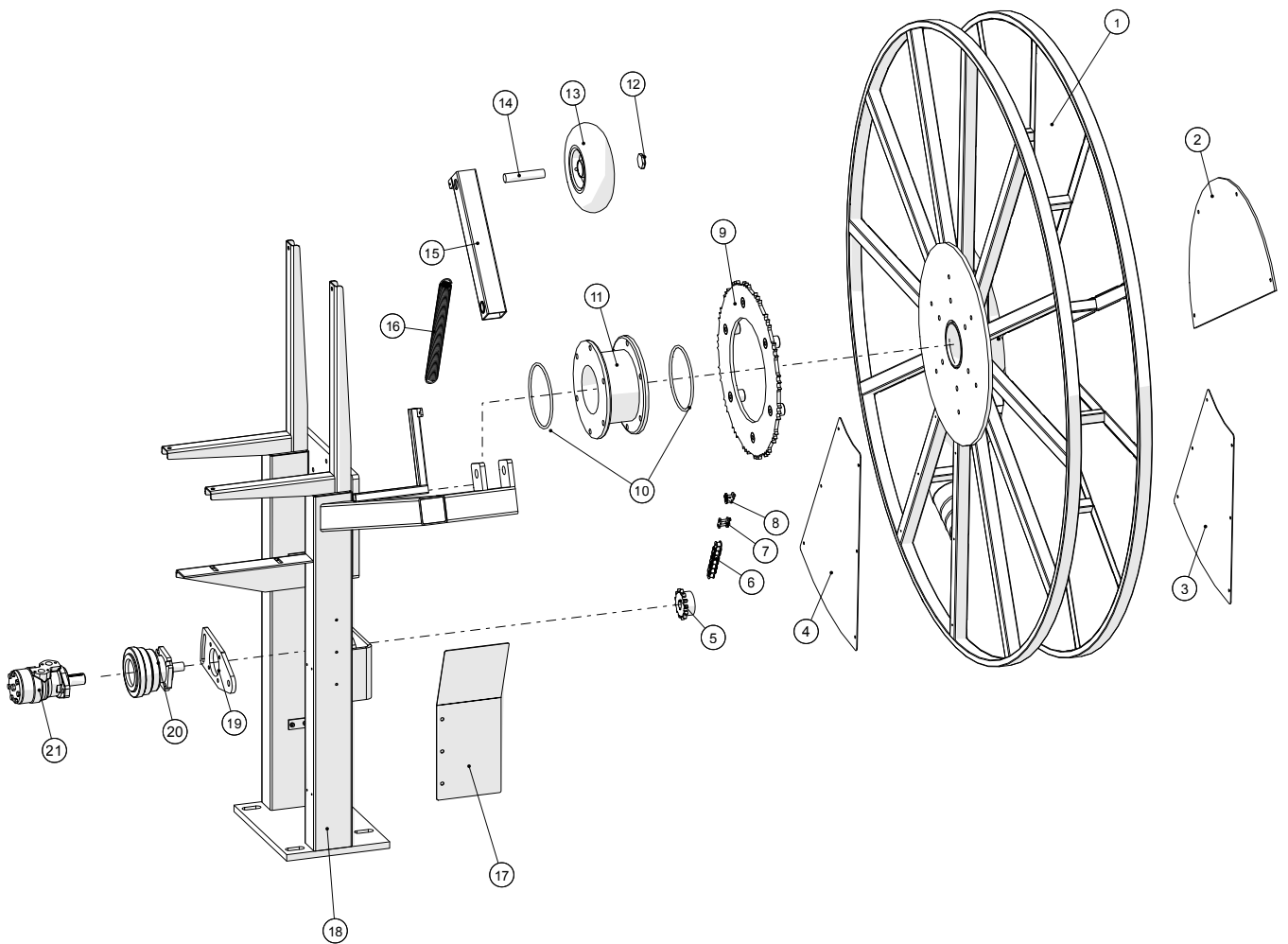
| | |
|--------------------------------|----|
| Hose Reel | 4 |
| Hydraulic tank | 6 |
| Hose protection | 8 |
| Crane | 10 |
| Suction Hose | 12 |
| AGM Turbo filler | 14 |
| Support Bearing Assembly | 16 |
| Hose guide rollers | 18 |
| Pipe System | 20 |
| Double Flex Clutch | 22 |
| Chassis | 24 |
| PVG-valve | 26 |
| Engine | 28 |
| Radiator | 30 |
| Control Box | 32 |
| Battery Box | 34 |
| Hub - without brakes | 36 |
| Hub - with airbrakes | 38 |
| Bauer SX2600 Pump | 40 |
| ADR hub - without brakes | 42 |
| FAD hub - with air brake | 44 |



Alphabetic index

| | |
|---------------------------------------|-----------|
| ADR hub - without brakes | 42 |
| AGM Turbo filler | 14 |
| Battery Box | 34 |
| Bauer SX2600 Pump | 40 |
| Chassis..... | 24 |
| Control Box | 32 |
| Crane | 10 |
| Double Flex Clutch | 22 |
| Engine..... | 28 |
| FAD hub - with air brake | 44 |
| Hose guide rollers | 18 |
| Hose protection | 8 |
| Hose Reel | 4 |
| Hub - with airbrakes | 38 |
| Hub - without brakes..... | 36 |
| Hydraulic tank..... | 6 |
| Pipe System..... | 20 |
| PVG-valve..... | 26 |
| Radiator | 30 |
| Suction Hose | 12 |
| Support Bearing Assembly | 16 |

Hose Reel



Pump Unit DP201
Model year 2008 -

Date: 23/4-2015

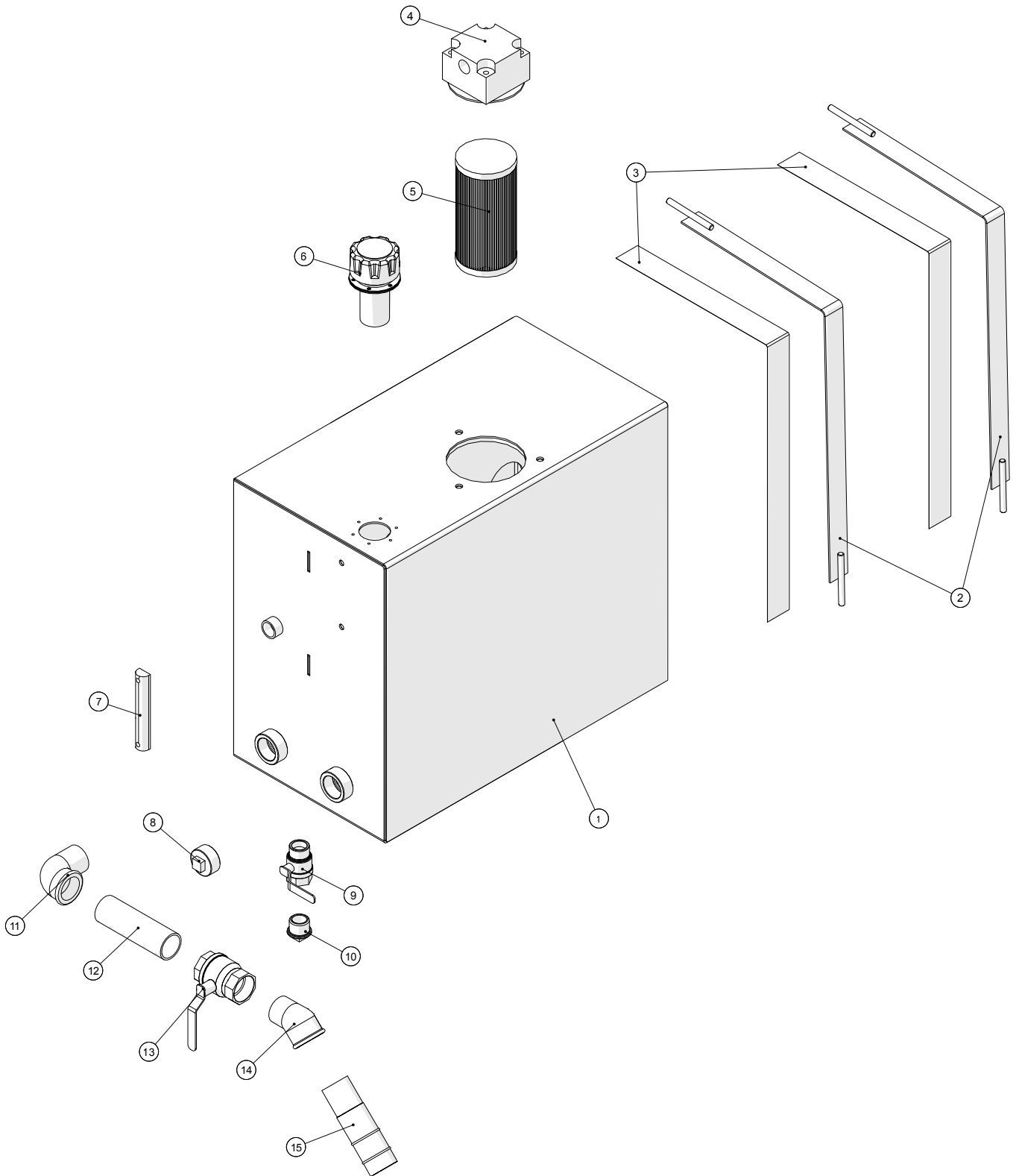
5

Hose Reel

| Pos. no. | Item no. | Pcs. | Description | Note |
|----------|---------------|------|---|------|
| 1 | 2501790415 | 1 | Hose reel | |
| 2 | 2501790415-12 | 1 | Removable plate | |
| 3 | 250179785 | 1 | Removable plate outside | |
| 4 | 250179787 | 1 | Removable plate inside | |
| 5 | 25017275 | 1 | Chain wheel $\frac{3}{4}$ " z=15 | |
| 6 | 15351911 | 1 | Roller chain $\frac{3}{4}$ " | |
| 7 | 1535191-11 | 1 | Closing links $\frac{3}{4}$ " | |
| 8 | 1535191-12 | 1 | Closing links cranked $\frac{3}{4}$ " | |
| 9 | 2501790420 | 1 | Plate wheels for hose reel $\frac{3}{4}$ " z=85 | |
| 10 | 21040837 | 2 | O-ring for slewing ring | |
| 11 | 21040820 | 1 | Slewing ring MZ DN150 | |
| 12 | 15110611575 | 1 | Nut M16x1, 5 | |
| 13 | 25017329 | 1 | Crane wheel | |
| 14 | 25017345 | 1 | Shaft 25mm | |
| 15 | 25030122 | 1 | Lever for wheel | |
| 16 | 1514004232350 | 1 | Tension spring $\varnothing 32 \times 3,5 \times 88 \times 350$ | |
| 17 | 2501790410-07 | 1 | Chain guard | |
| 18 | 2501790410 | 1 | Hose reel Stand | |
| 19 | 2501790421 | 1 | Console for S.A.H.R brake | |
| 20 | 2514851451 | 1 | S.A.H.R brake | |
| 21 | 25017265 | 1 | Oil motor OMR 200 HPS $\varnothing 25$ DANFOSS | |



Hydraulic tank



Pump Unit DP201
Model year 2008 -

Date: 23/4-2015

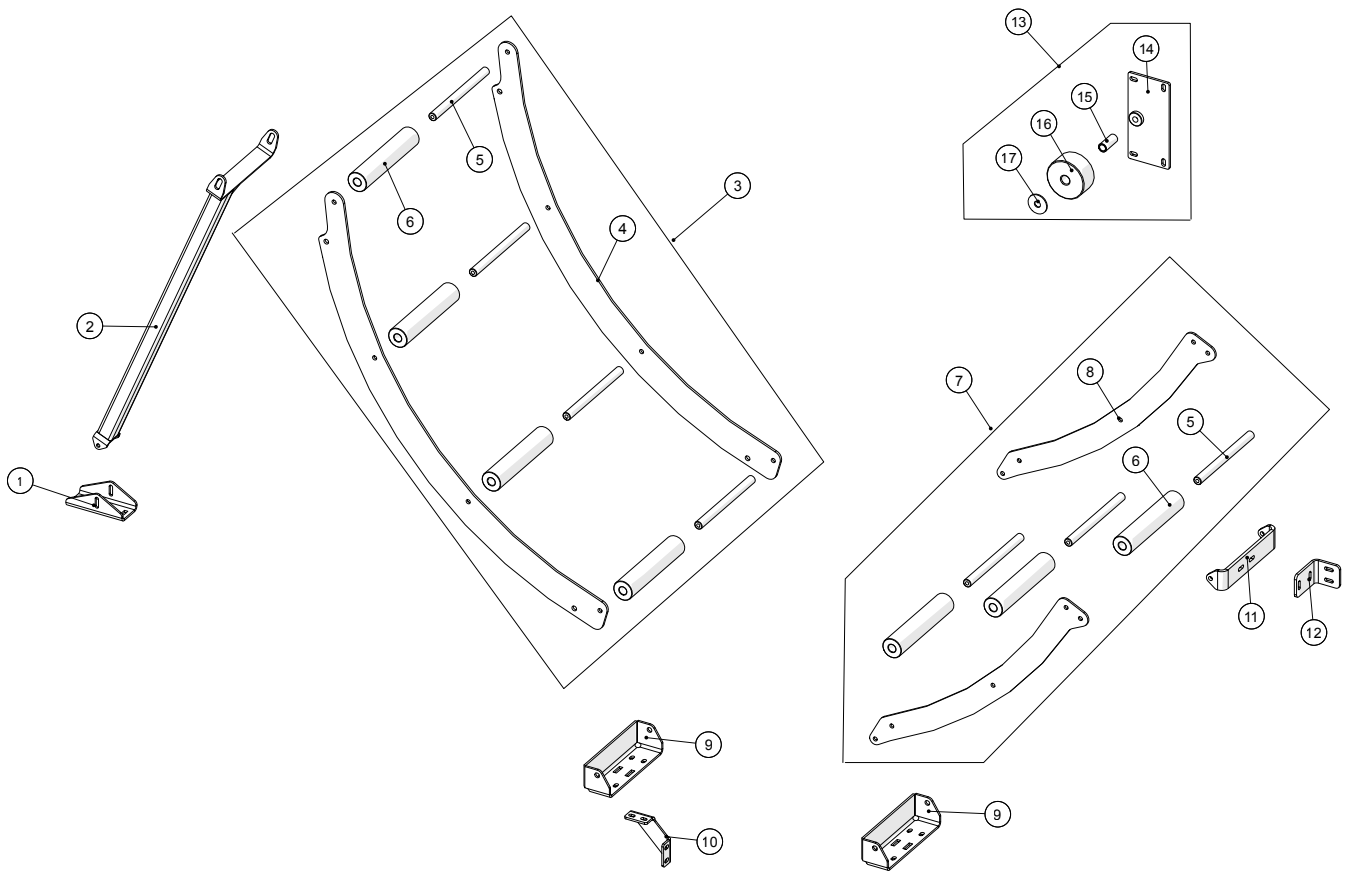
7

Hydraulic tank

| Pos. no. | Item no. | Pcs. | Description | Note |
|----------|------------|------|--------------------------------------|------|
| 1 | 2501790245 | 1 | Hydraulic tank 125 litre | |
| 2 | 250179708 | 2 | Clamps for the hydraulic tank | |
| 3 | 21201050 | 2 | Rubber Black EPDM | |
| 4 | 25017190 | 1 | Return filter 185LPM 1¼" | |
| 5 | 25017005 | 1 | Filter element - hydraulic | |
| 6 | 21201065 | 1 | MP refueling filter 10my | |
| 7 | 25017205 | 1 | Oil level glass 127/M12 TEMP MP | |
| 8 | 000291111 | 1 | Plug no.291 black 1½" | |
| 9 | 13100068 | 1 | Ball valve female/male 1" | |
| 10 | 000291108 | 1 | Plug no.291 black 1" | |
| 11 | 000092111 | 1 | Elbow 90° no.92 black 1½" | |
| 12 | 012150111 | 1 | Nipple black 1½"x150mm | |
| 13 | 13100012 | 1 | Ball valve female/female 1½" | |
| 14 | 000121111 | 1 | Elbow 45° no.121 black 1½" | |
| 15 | 2501790248 | 1 | Suction nozzle to the hydraulic tank | |



Hose protection



Pump Unit DP201
Model year 2008 -

Date: 23/4-2015

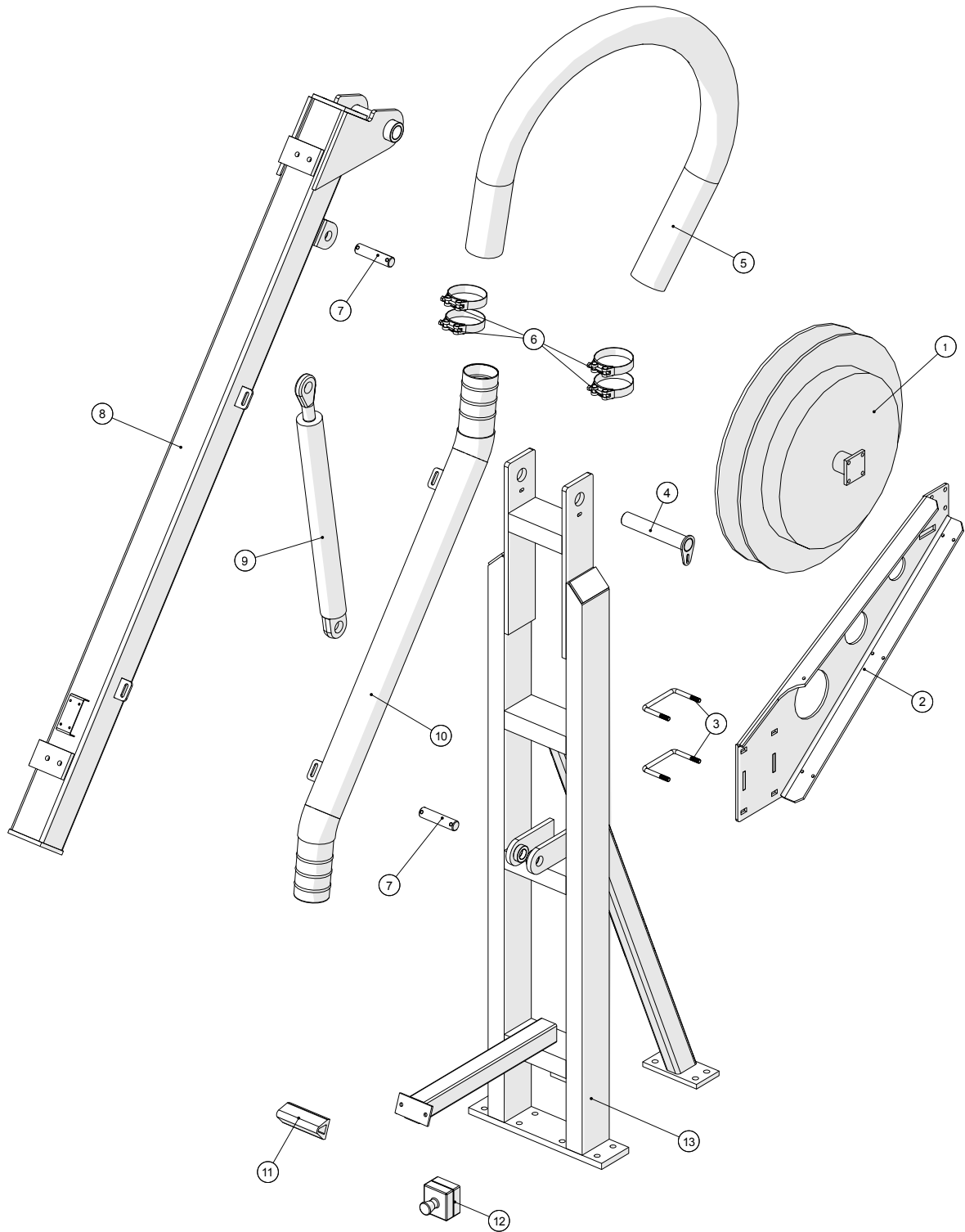
9

Hose protection

| Pos. no. | Item no. | Pcs. | Description | Note |
|----------|-----------|------|-------------------------------------|------|
| 1 | 250180615 | 1 | Bottom attachment for hose guide | |
| 2 | 250180645 | 1 | Cross brace of the hose guide | |
| 3 | 250180546 | 1 | Hose protection | |
| 4 | 250180514 | 2 | Hose protection plate | |
| 5 | 250180515 | 7 | Shaft for hose reel | |
| 6 | 250180516 | 7 | POM roller for hose | |
| 7 | 250180551 | 1 | Small hose guide | |
| 8 | 250180547 | 2 | Side plate for small hose guide | |
| 9 | 250180537 | 2 | Bracket for hose guide | |
| 10 | 250180644 | 1 | Bracket for hose guide | |
| 11 | 250180549 | 1 | Clamp for hose guide | |
| 12 | 250180550 | 1 | Bracket for clamp for hose guide | |
| 13 | 250180635 | 1 | Roller by crane stand | |
| 14 | 250180640 | 1 | Backplate for roller by crane stand | |
| 15 | 250180641 | 1 | Shaft for roller by crane stand | |
| 16 | 250180636 | 1 | Roller by crane stand | |
| 17 | | 1 | Washer 16mm | |



Crane



Pump Unit DP201
Model year 2008 -

Date: 23/4-2015

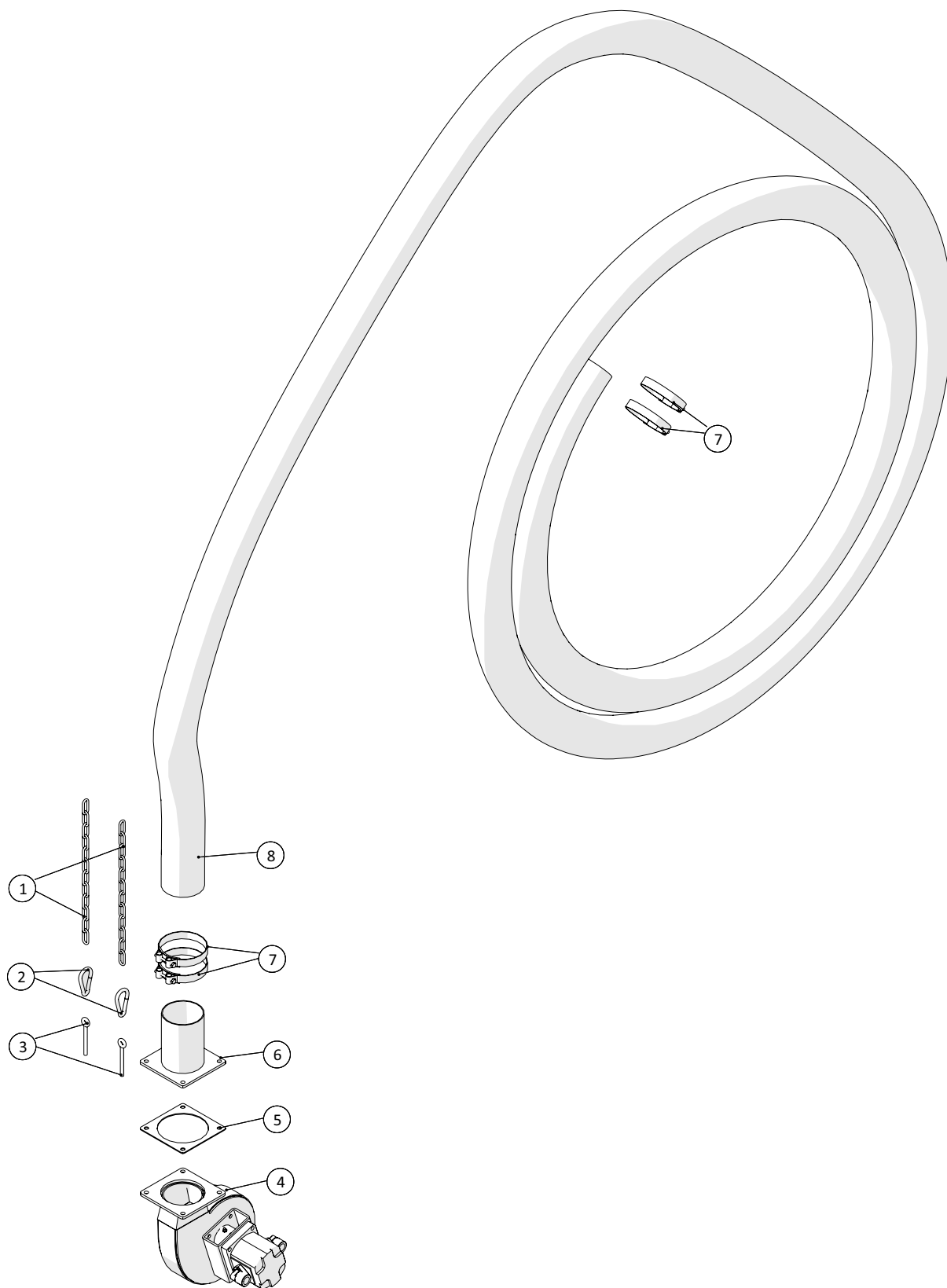
11


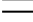
Crane

| Pos. no. | Item no. | Pcs. | Description | Note |
|----------|--------------|-------|--|------|
| 1 | 250179673-01 | 1 | Hose reel | |
| 2 | 250179659 | 1 | Suspension for hydraulic hose reel | |
| 3 | 250179637 | 2 | Bracket | |
| 4 | 2501790388 | 1 | Pin $\varnothing 40$ | |
| 5 | 16010175 | 1 | HEDUFLEX rubber hose 4"/ $\varnothing 102$ | |
| 6 | 16200734 | 4 | Clamp 113-121mm | |
| 7 | 2501790389 | 2 | Pin $\varnothing 30$ | |
| 8 | 2501790325 | 1 | Lever High Flow | |
| 9 | 25017105 | 1 | Hydraulic cylinder Lmin=915mm | |
| | 250135106035 | | Seal kits for cyl. 25017105 | |
| 10 | 250180428 | 1 | Pipe for stirring | |
| 11 | 21201052 | 0,15m | Fender Rubber 60x50mm | |
| 12 | 25030020 | 1 | Emergency stop | |
| 13 | 250179032 | 1 | Crane stand | |



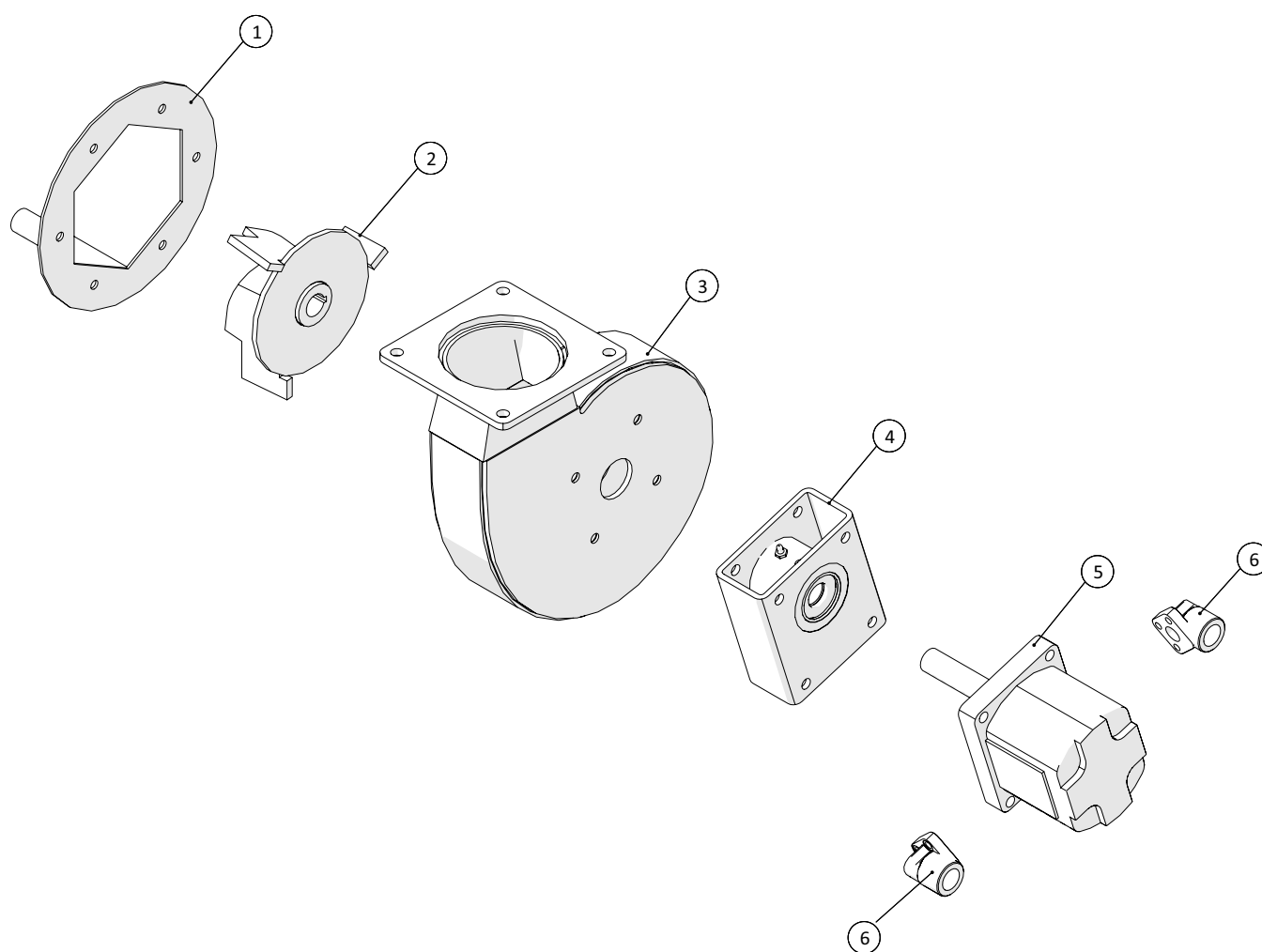
Suction Hose


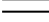


| | | | |
|--|------------|---|-----------------|
|  1 ↓  2 ↓ | A-Z | Pump Unit DP201 Model year 2008 - | Date: 23/4-2015 |
| | | | 13 |

| Suction Hose | | | | |
|--------------|----------------|--------|-------------------------------------|------|
| Pos. no. | Item no. | Pcs. | Description | Note |
| 1 | 1513KS10020110 | 2x45cm | Chain | |
| 2 | 12280102 | 2 | Snap hook stainless steel | |
| 3 | 1326901085 | 2 | Eye bolts M10x100 | |
| 4 | 23500052 | 1 | AGM turbofiller 5" | |
| 5 | 20140715 | 1 | MZ rubber gasket 4", 5", 6" | |
| 6 | 20140845 | 1 | Hose connector 5" MZ flange x 127mm | |
| 7 | 16200740 | 4 | Hoseclamp 140-148mm | |
| 8 | 16010180 | 1 | HEDUFLEX rubber hose 5"/Ø127 | |

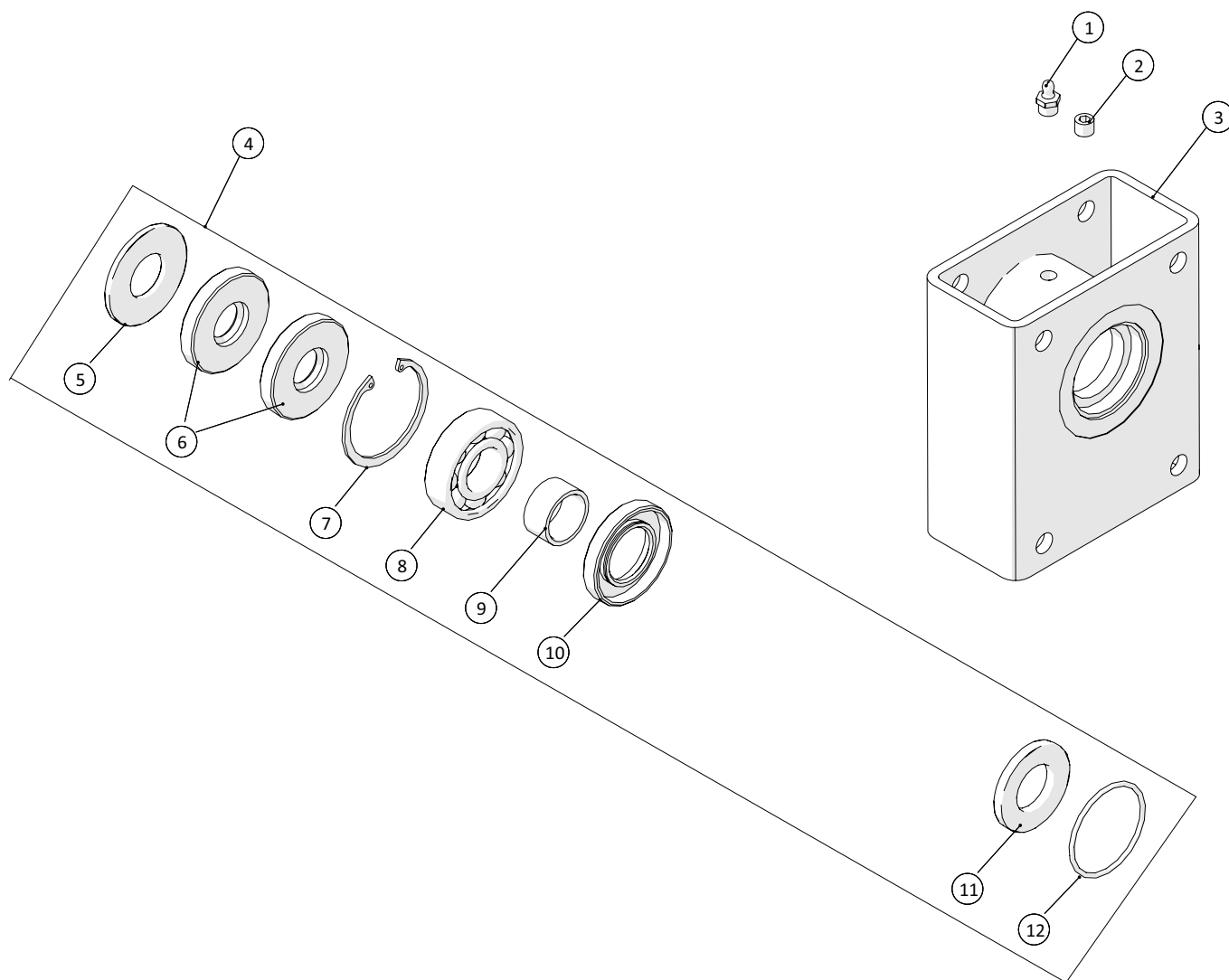
AGM Turbo filler

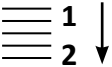


| | | | |
|--|------------|---|-----------------|
|  1 ↓  2 ↓ | A-Z | Pump Unit DP201 Model year 2008 - | Date: 23/4-2015 |
| | | | 15 |

| AGM Turbo filler | | | | |
|------------------|---------------|------|---------------------------------|------|
| Pos. no. | Item no. | Pcs. | Description | Note |
| 1 | 250181057 | 1 | Inlet knife | |
| 2 | 2350770711 | 1 | Impeller 5" | |
| 3 | 2350771514 | 1 | Pump housing 5" | |
| 4 | 2350772562000 | 1 | Support Bearing - complete | |
| 5 | 2350218731000 | 1 | Hydraulic engine 5" | |
| 6 | 25017095 | 2 | Port flange for hydraulics 3/4" | |

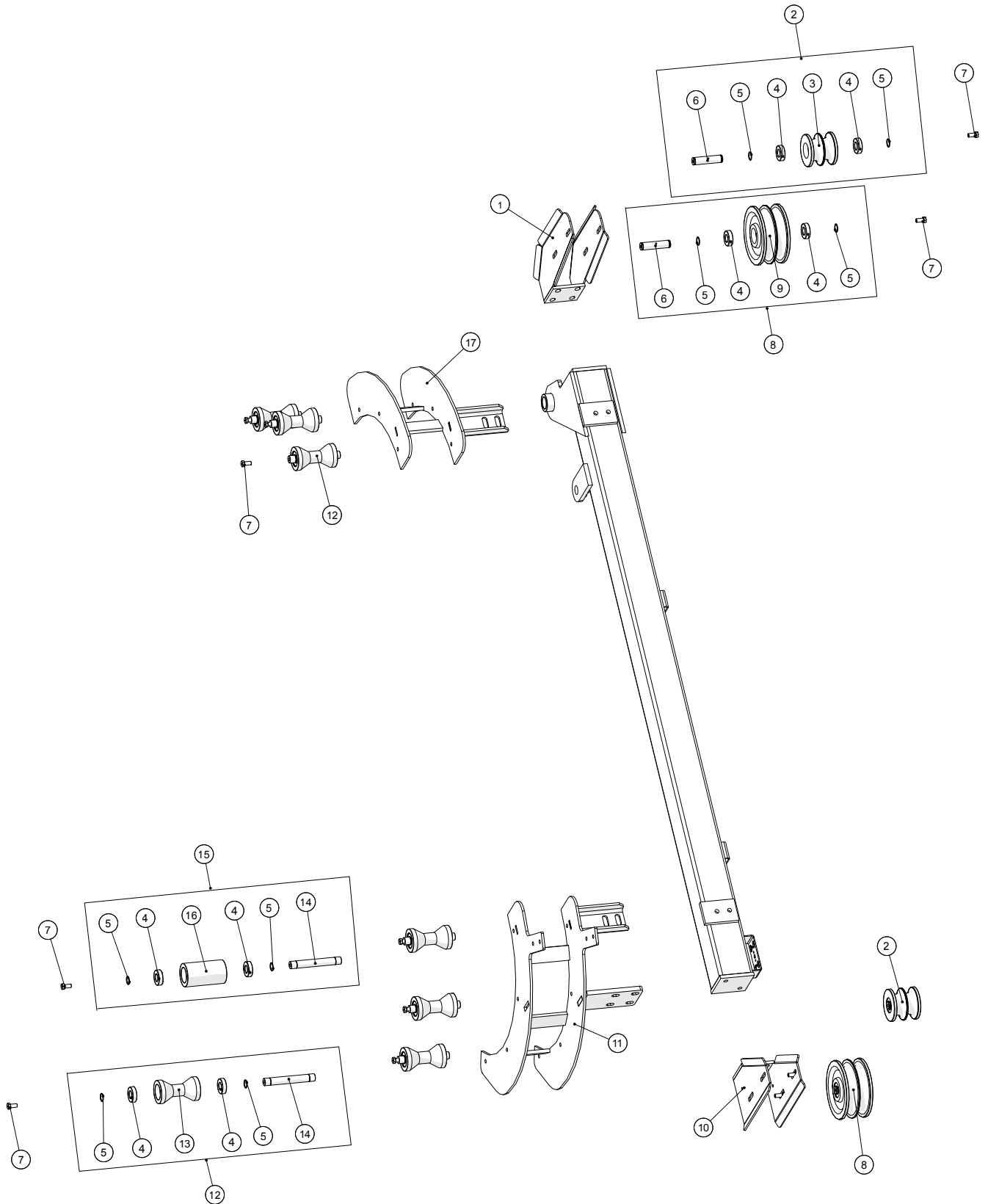
Support Bearing Assembly



| | | | |
|---|------------|---|-----------------|
|  1 ↓ 2 ↓ | A-Z | Pump Unit DP201 Model year 2008 - | Date: 23/4-2015 |
| | | | 17 |

| Support Bearing Assembly | | | | |
|--------------------------|-----------------|------|---|------|
| Pos. no. | Item no. | Pcs. | Description | Note |
| 1 | 2350208392000 | 1 | Grease nipple 1/8" | |
| 2 | 2350228670000 | 1 | Plug 1/8" | |
| 3 | 2350772561000 | 1 | Aksel bearing | |
| 4 | 2350772561000-1 | 1 | Support Bearing kit | |
| 5 | 2350405991000 | 1 | Washer $\varnothing 57 \times \varnothing 25,5$ | |
| 6 | 2350219158000 | 2 | Shaft Sealing | |
| 7 | 2350229927000 | 1 | Retaining ring | |
| 8 | 2350218429000 | 1 | Ball bearing SKF RLS8 | |
| 9 | 2350408417000 | 1 | Shaft sealing | |
| 10 | 2350219162000 | 1 | Shaft sealing | |
| 11 | 2350405992000 | 1 | Washer $\varnothing 50,5 \times \varnothing 27$ | |
| 12 | 2350219159000 | 1 | O-ring $\varnothing 49,5$ | |

Hose guide rollers



Pump Unit DP201
Model year 2008 -

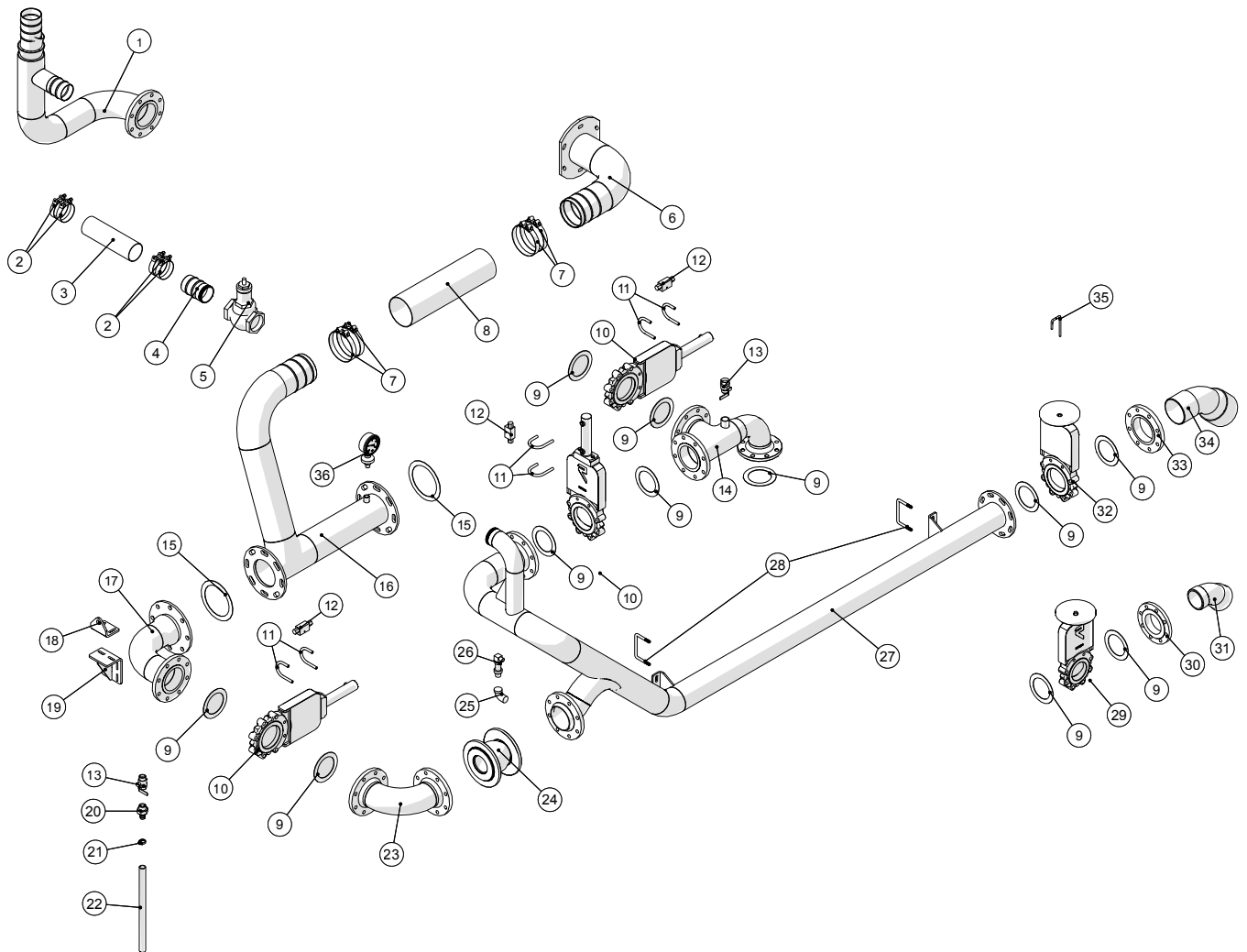
Date: 23/4-2015

19

Hose guide rollers

| Pos. no. | Item no. | Pcs. | Description | Note |
|----------|---------------|------|---|------|
| 1 | 250179690 | 1 | Rear suspension for reversing rollers | |
| 2 | 250179749 | 2 | Counterroller complete | |
| 3 | 250179669 | 1 | Counterroller for hydraulic hose reeling | |
| 4 | 19300620502 | 8 | Ball bearing 6205 2RS | |
| 5 | 15110616037 | 8 | Retaining ring A25 | |
| 6 | 250179696 | 2 | Shaft for roller - hydraulic hose reeling | |
| 7 | 2501790390 | 7 | Lubricating Bolt (crane lever) | |
| 8 | 250179748 | 2 | Turning Roller complete | |
| 9 | 250179668 | 1 | Turning rollers for hose reels | |
| 10 | 250179700 | 1 | Rear suspension for turning rollers | |
| 11 | 2501790330-10 | 1 | Front hose guide | |
| 12 | 2501790384 | 7 | Roller - complete | |
| 13 | 2501790385 | 1 | Roller - separately | |
| 14 | 2501790370 | 2 | Shaft for roller | |
| 15 | 2501790364 | 1 | Top roller - complete | |
| 16 | 2501790365 | 1 | Top roller - separately | |
| 17 | 2501790335-01 | 1 | Rear hose guide | |

Pipe System



Pump Unit DP201

Model year 2008 -

Date: 23/4-2015

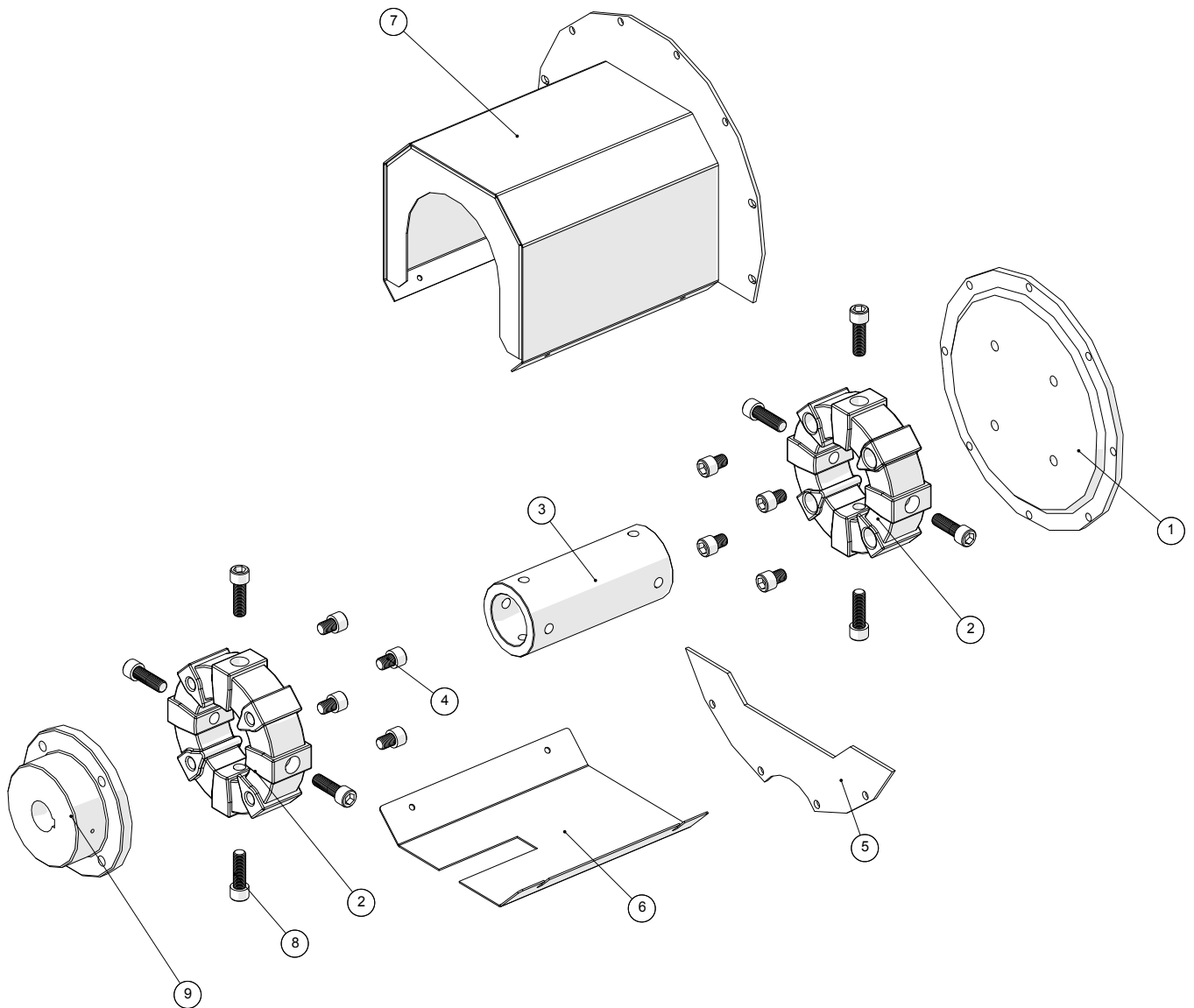
21

Pipe system

| Pos. no. | Item no. | Pcs. | Description | Note |
|----------|---------------|------|--|------|
| 1 | 2501790524 | 1 | Pipe for stirring | |
| 2 | 16200728 | 4 | Clamp 92-97mm | |
| 3 | 16050205 | 1 | Black ARMTEX pressure hose 3" | |
| 4 | 2501790518 | 1 | Hose connector for relief valve | |
| 5 | 13080025 | 1 | Relief Valve w/spring 3" | |
| 6 | 250179602 | 1 | Outlet elbow for reel | |
| 7 | 16200744 | 4 | Clamp 162-174mm | |
| 8 | 16010185 | 1 | HEDUFLEX rubber hose 6"/Ø152 | |
| 9 | 13250545 | 11 | Flange gasket NW100 162x115mm | |
| 10 | 20144125 | 3 | Ramus gate-valve w/cylinder DN125 | |
| 11 | 2501790288 | 6 | Hydraulic pipe for support leg/gate valve | |
| 12 | 25017185 | 3 | Double check valve ¼" VBPDE | |
| 13 | 13100068 | 2 | Ball valve female/male 1" | |
| 14 | 2501790517 | 1 | T-pipe | |
| 15 | 13250555 | 2 | Flange gasket NW150 218x169mm | |
| 16 | 2501790522 | 1 | Suction pipe | |
| 17 | 2501790521 | 1 | Elbow for drain pipe | |
| 18 | 250179778 | 1 | Support Brackets, suction pipe | |
| 19 | 250179780 | 1 | Support Brackets, suction pipe | |
| 20 | 1044629425 | 1 | Plastic connector w/BSP 1"x25mm | |
| 21 | 16200666 | 1 | Clamp 20-32mm | |
| 22 | 16080240 | 0,5m | Clear reinforced hose 1" (25.0x32,0) | |
| 23 | 2501790526 | 1 | Elbow for drain pipe | |
| 24 | 13250700DN125 | 1 | Rubber compensator DN125 | |
| 25 | 000092408 | 1 | Angle No.92 galv. 1" | |
| 26 | 13180731 | 1 | Pressure Transmitter 7MF1 0-25bar 1" | |
| 27 | 2501790512 | 1 | Long-pressure pipe | |
| 28 | 250179637 | 2 | Bracket | |
| 29 | 20144105 | 1 | Ramus gate valve w/handwheel DN100 | |
| 30 | 13250240 | 1 | Threaded flange galv. DN100x4" | |
| 31 | 000040416 | 1 | Elbow No.40 galv. 4" | |
| 32 | 20144130 | 1 | Ramus gate valve w/handwheel DN125 | |
| 33 | 13250242 | 1 | Threaded flange galv. DN125x5" | |
| 34 | 25017470 | 1 | Elbow 45° 5"x6" BSP | |
| 35 | 250180750 | 1 | Locking pin for Ramus handwheel | |
| 36 | 131800663 | 1 | Glycerine Pressure gauge, stainless Ø100 1+3Bar | |



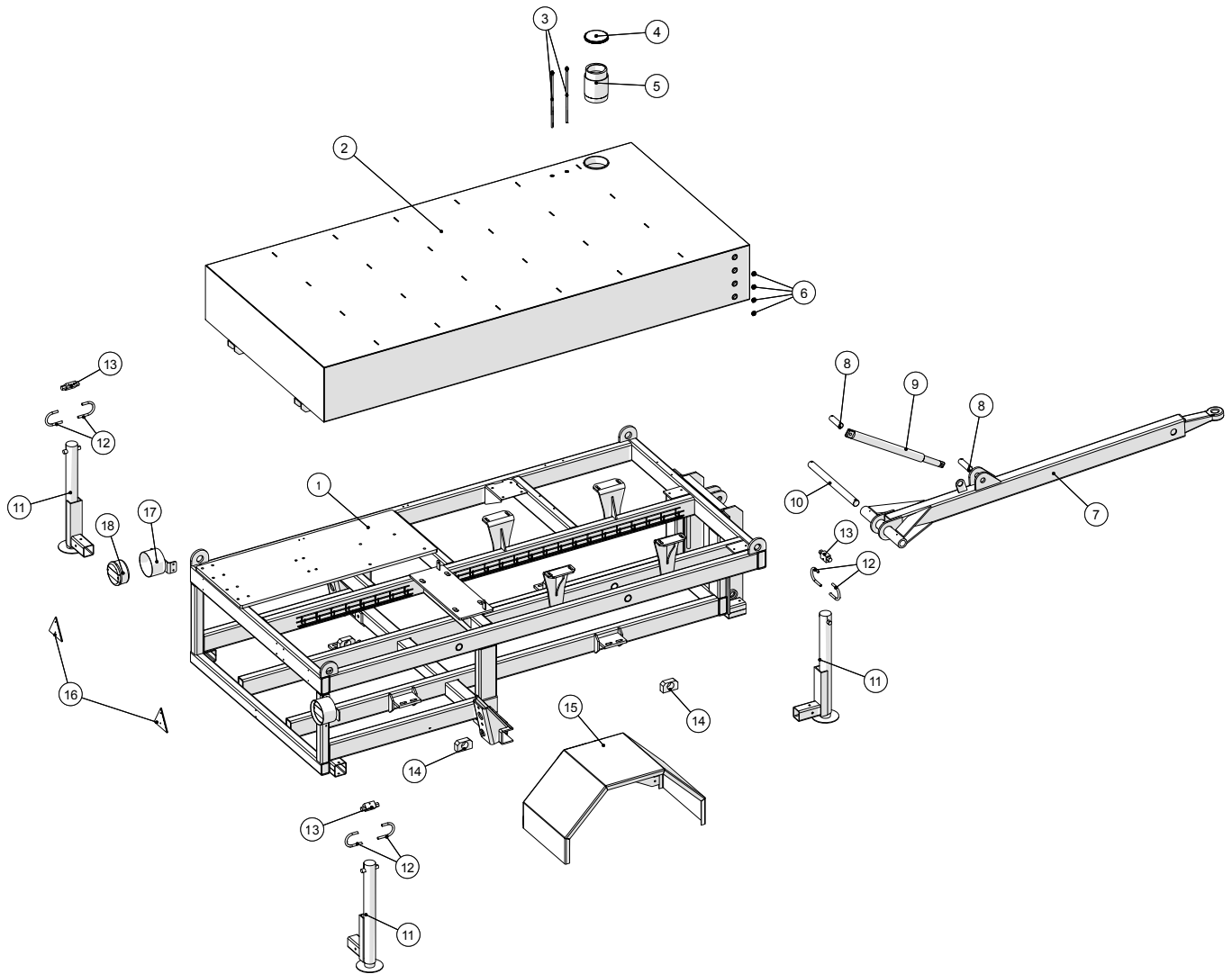
Double Flex Clutch



| | |
|---|-----------------|
| Pump Unit DP201 Model year 2008 - | Date: 23/4-2015 |
| | 23 |

| Dobbelt Flex Clutch | | | | |
|----------------------------|-----------|------|--|-----------|
| Pos. no. | Item no. | Pcs. | Description | Note |
| 1 | 250179707 | 1 | Connection between the clutch and the flywheel | |
| 2 | 25017068 | 2 | Component CF-80 SHORE A 50 | |
| 3 | 25017063 | 1 | Center tube of the CF-A clutch | |
| 4 | | 8 | Allen Screw M16x20 | |
| 5 | 250179614 | 1 | Small protection plate for flywheel | |
| 6 | 250179615 | 1 | Bottom Shield for clutch | |
| 7 | 250179610 | 1 | Cover plate for flex clutch | |
| 8 | | 8 | Allen Screw M16x50 | |
| 9 | 25017061 | 1 | Clutch hub CF-A 50/080 TB3020 \varnothing 42 | New Model |
| 9 | 25017062 | 1 | Clutch hub CF-A 50/080 TB3020 \varnothing 60 | Old Model |

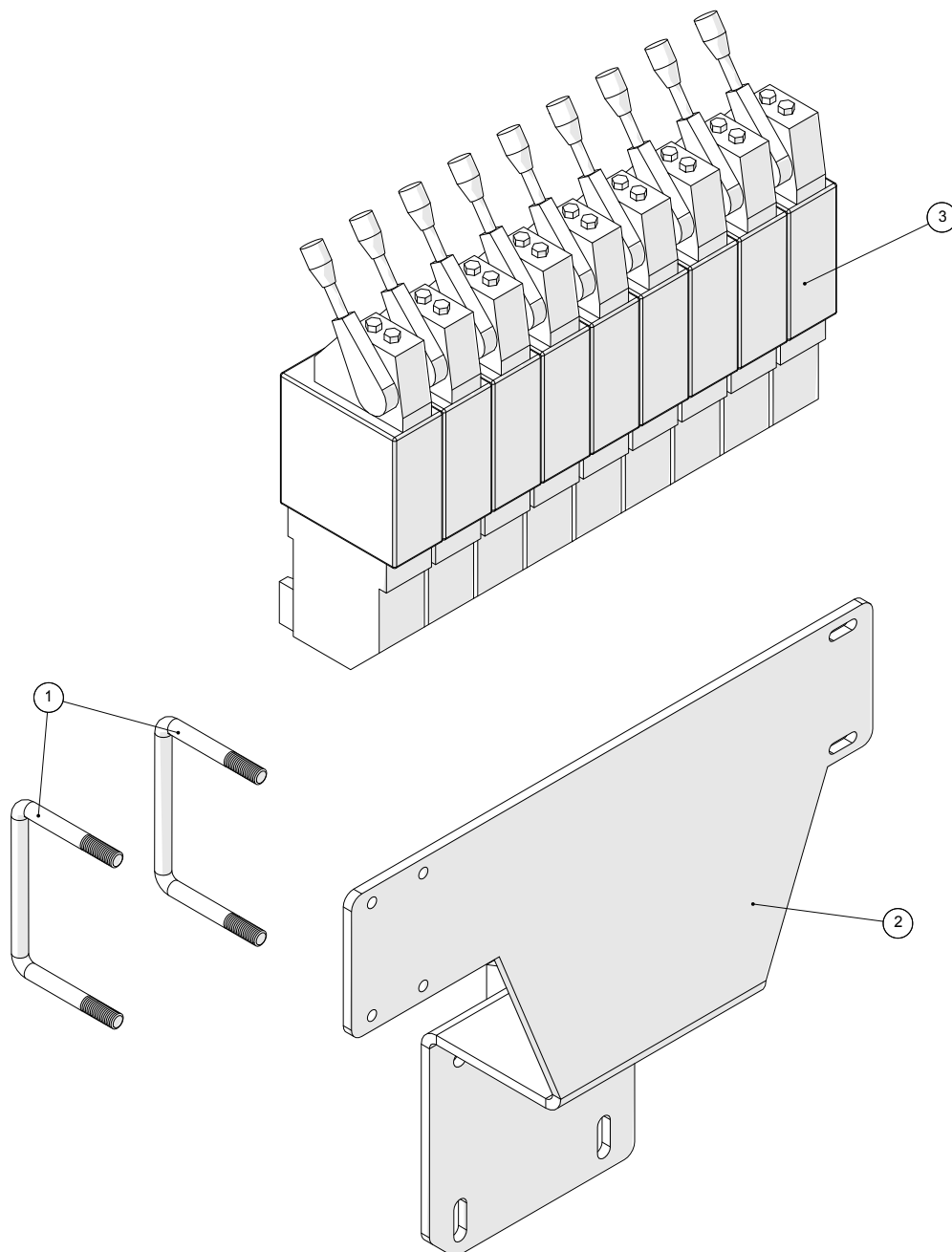
Chassis



| | |
|---|-----------------|
| Pump Unit DP201 Model year 2008 - | Date: 23/4-2015 |
| | 25 |

| Chassis | | | | |
|----------|---------------|------|---|------------------|
| Pos. no. | Item no. | Pcs. | Description | Note |
| 1 | 2501790210 | 1 | Chassis | |
| 2 | 2501790240 | 1 | Diesel tank pump unit 1500L | |
| 3 | 2501790240-41 | 2 | | |
| 4 | 25017651 | 1 | Fuel cap for diesel tank Ø135 | |
| 5 | 250179783 | 1 | Nozzle | |
| 6 | 1362SM34 | 4 | Inspection glass - aluminum ¾" BSP | |
| 7 | 2501790260 | 1 | Drawbar | |
| 8 | 2501790286 | 2 | Pin Ø32 | |
| 9 | 25017250 | 1 | Top rod | |
| 10 | 2501790289 | 1 | Pin Ø40 | |
| 11 | 25017050-1 | 3 | Hydraulic support legs | |
| 12 | 2501790288 | 6 | Hydraulic pipe for support leg/gate valve | |
| 13 | 25017185 | 3 | Double check valve 1/4" VBPDE | |
| 14 | 2501790435 | 4 | Console for rubber bushing | |
| 15 | 2501790225 | 2 | Mudguard - narrow | 2012 and earlier |
| 16 | 250180945 | 1 | Mudguard - wide | 2013 and later |
| 17 | 210434566501 | 2 | Red triangular reflex | |
| 18 | 2501790255 | 2 | Lamp Bracket | |
| 19 | 1229140075 | 2 | Tail light Stop / blink | |

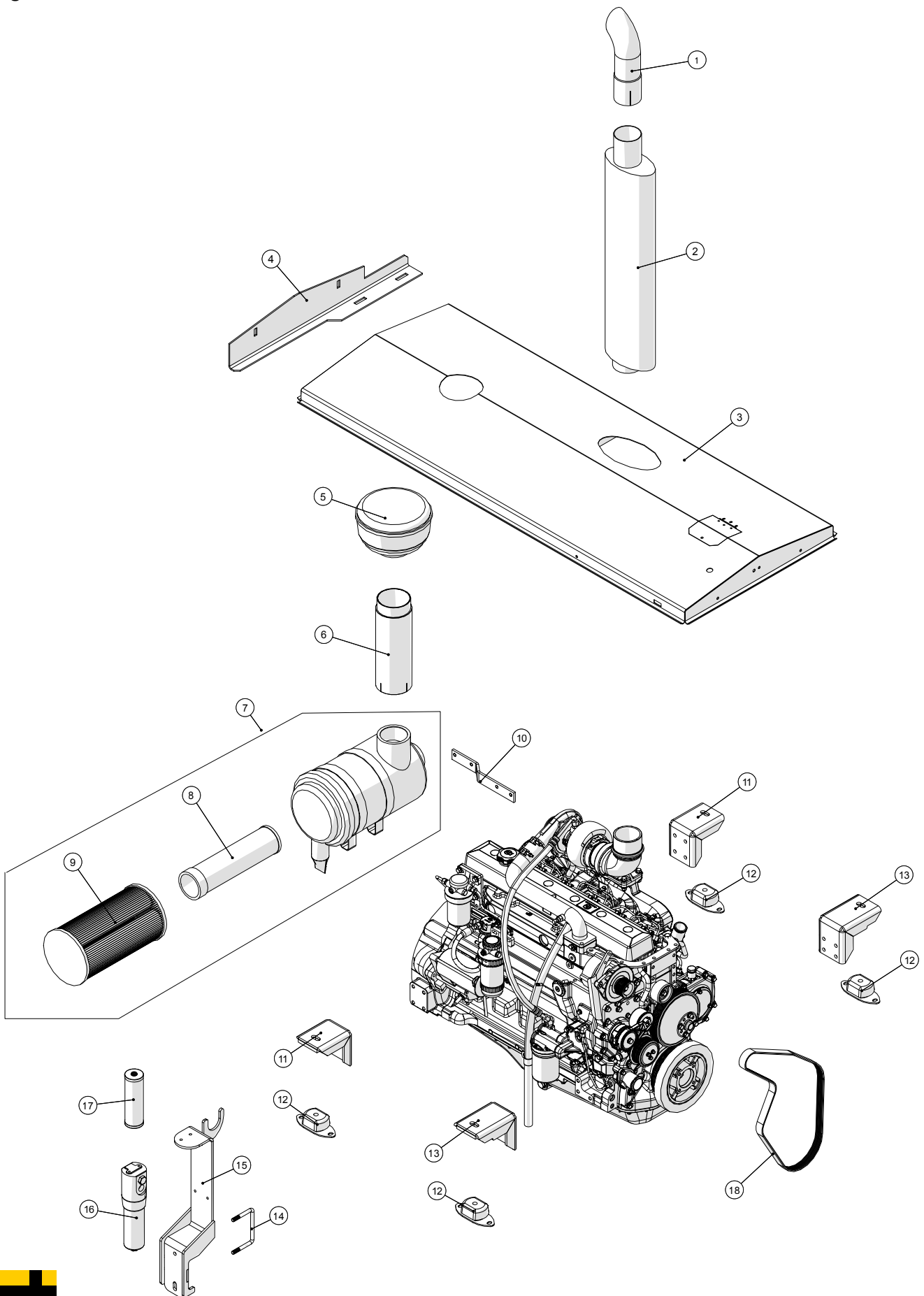
PVG-valve



| | |
|---|-----------------|
| Pump Unit DP201 Model year 2008 - | Date: 23/4-2015 |
| | 27 |

| PVG-valve | | | | |
|-----------|-----------|------|-----------------------|-----------------|
| Pos. no. | Item no. | Pcs. | Description | Note |
| 1 | 250179637 | 2 | Bracket | |
| 2 | 250179647 | 1 | Bracket for PVG valve | |
| 3 | 25017415 | 1 | PVG32/8 sections | 2008 and before |
| 3 | 25017417 | 1 | PVG32/9 sections | 2008 and later |

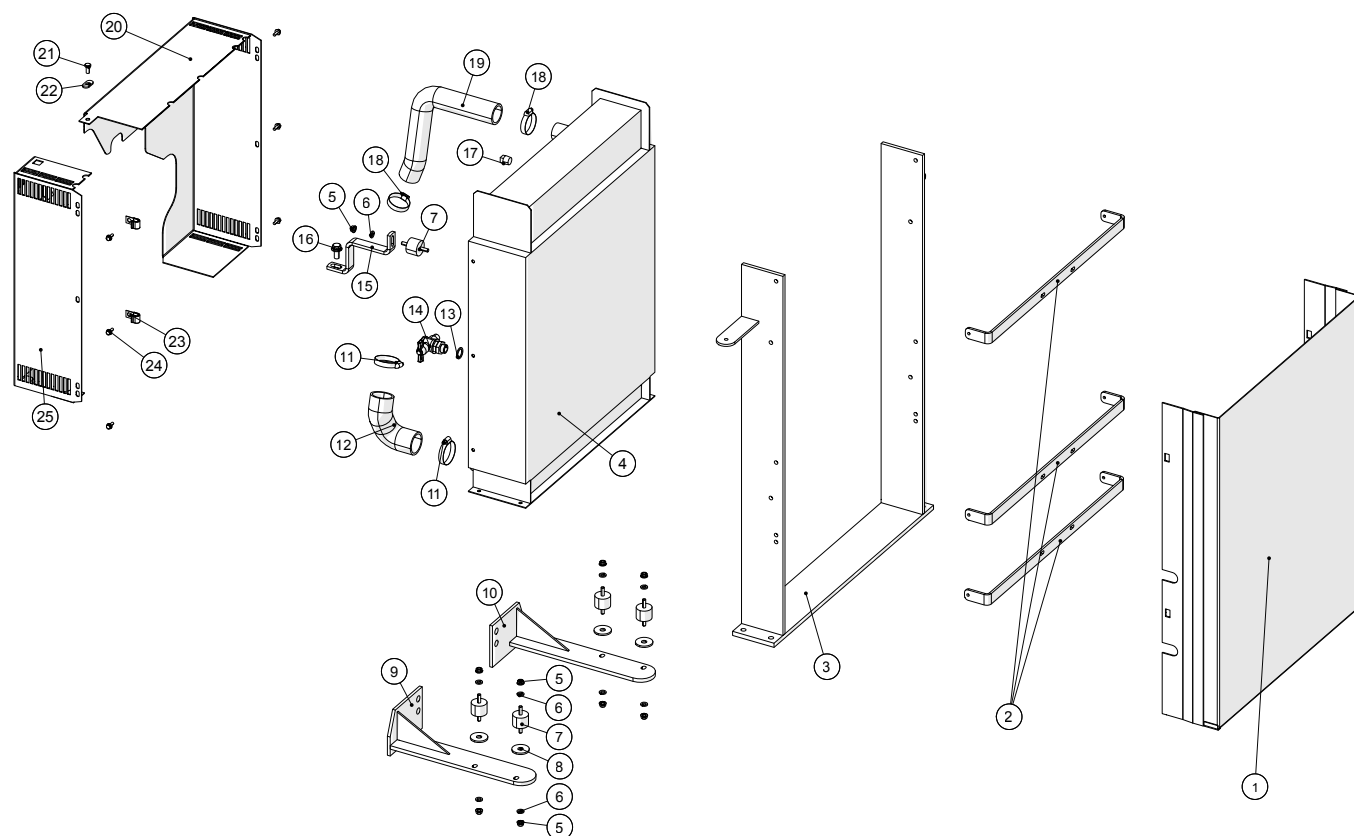
Engine



| | |
|---|-----------------|
| Pump Unit DP201 Model year 2008 - | Date: 23/4-2015 |
| | 29 |

| Engine | | | | |
|----------|----------------|------|-------------------------------------|---|
| Pos. no. | Item no. | Pcs. | Description | Note |
| 1 | 25017375 | 1 | Outlet pipe | |
| 2 | 25017550 | 1 | Silencer | |
| 3 | 2501790217 | 1 | Engine Cover for Pump Unit | |
| 4 | 250179681 | 1 | Mounting plate for engine Cover | |
| 5 | 2501AT175358 | 1 | Rain Cap for air filter | |
| 6 | 250179979 | 1 | Pipe of extension of air intake | |
| 7 | 2501AT225287 | 1 | Air filter cpl. | From serial no. DP094201 to... |
| 8 | 25100879 | 1 | Air filter secondary | From serial no. DP094201 to... |
| 8 | 2514850518 | 1 | Air filter secondary | From 4/2-03 to 15/2-06 |
| 9 | 25100878 | 1 | Air filter Primary | From serial no. DP094201 to... |
| 9 | 25100857 | 1 | Air filter (Only one filter) | From 1/8-07 to 1/3-09 |
| 9 | 25017515 | 1 | Air filter (Only one filter) | From 8/3-06 to 1/8-07 |
| 9 | 2514850517 | 1 | Air filter Primary | From 4/2-03 to 15/2-06 |
| 10 | 250180331 | 1 | Filter Suspension | |
| 11 | 2501790235 | 2 | Rear engine mounting | |
| 12 | 25017055 | 4 | Vibration absorber SIM200B-60 shore | |
| 13 | 250179634 | 2 | Front engine mounting | |
| 14 | 250179637 | 1 | Bracket | |
| 15 | 250179686 | 1 | Motoroil Filter Bracket | |
| 16 | 25017180 | 1 | High pressure filter 90LPM ¾" | |
| 17 | 25017180-01 | 1 | Filter Element | |
| 18 | 2501006R123437 | 1 | Fan belt | TIER2 engine - please provide chassis no. |
| 18 | 25017293 | 1 | Fan belt | TIER1 engine - please provide chassis no. |

Radiator



Pump Unit DP201

Model year 2008 -

Date: 23/4-2015

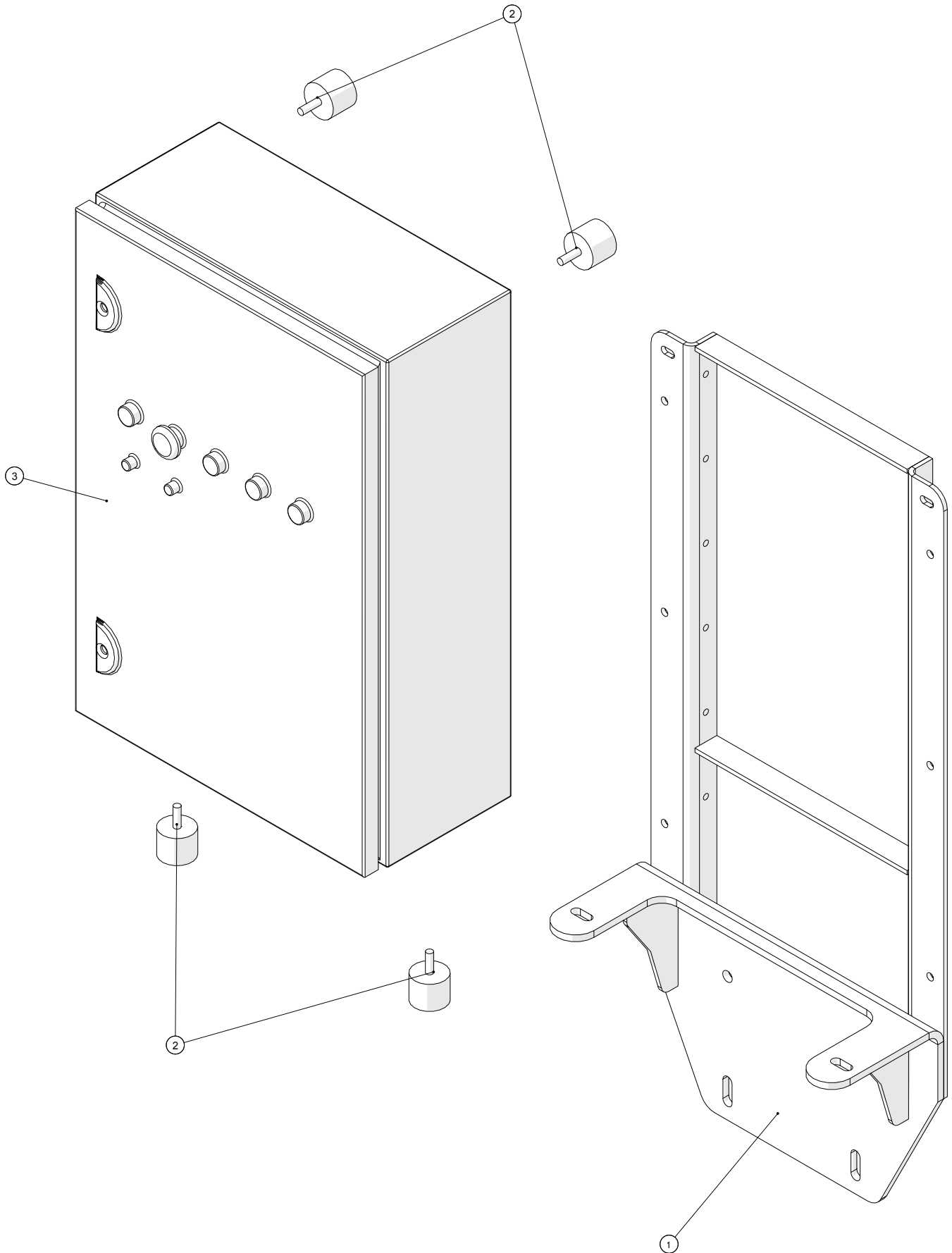
31

Radiator

| Pos. no. | Item no. | Pcs. | Description | Note |
|----------|----------------|------|------------------------------------|------|
| 1 | 250179652 | 1 | Engine / pump cooler grid complete | |
| 2 | 250179676 | 3 | Cross brace for cooler arrangement | |
| 3 | 2501790215 | 1 | Radiator Console | |
| 4 | 25010051 | 1 | Radiator 6068 option 2717 | |
| | 2501RE40166 | 1 | Radiator Wing | |
| | 2501006R123437 | 1 | Fan belt | |
| 5 | | 9 | Flange nut M8 | |
| 6 | | 9 | Lock washer | |
| 7 | 2514850312 | 5 | Vibration absorber | |
| 8 | | 4 | Washer | |
| 9 | 2501790475 | 1 | Radiator mounting, right | |
| 10 | 2501790477 | 1 | Radiator mounting, left | |
| 11 | | 4 | Clamp | |
| 12 | 2501R502394 | 1 | Radiator hose | |
| 13 | 2501R120247 | 1 | Ring 22x29x2mm | |
| 14 | 2501RE506656 | 1 | Tap | |
| 15 | 250180330 | 1 | Radiator Bracket | |
| 16 | | 1 | Flange Bolt M12x25 | |
| 17 | | 1 | Pipe plug ½"-14NPT | |
| 18 | 2501R502393 | 1 | Radiator hose | |
| 19 | 2501RE516826 | 1 | Grid | |
| 20 | | 1 | Bolt M8x12 | |
| 21 | | 1 | Washer 10,5x30x2,5mm | |
| 22 | 2501AH89557 | 2 | Clip | |
| 23 | | 6 | Flange Bolt M6x16 | |
| 24 | 2501R516290 | 1 | Grid | |



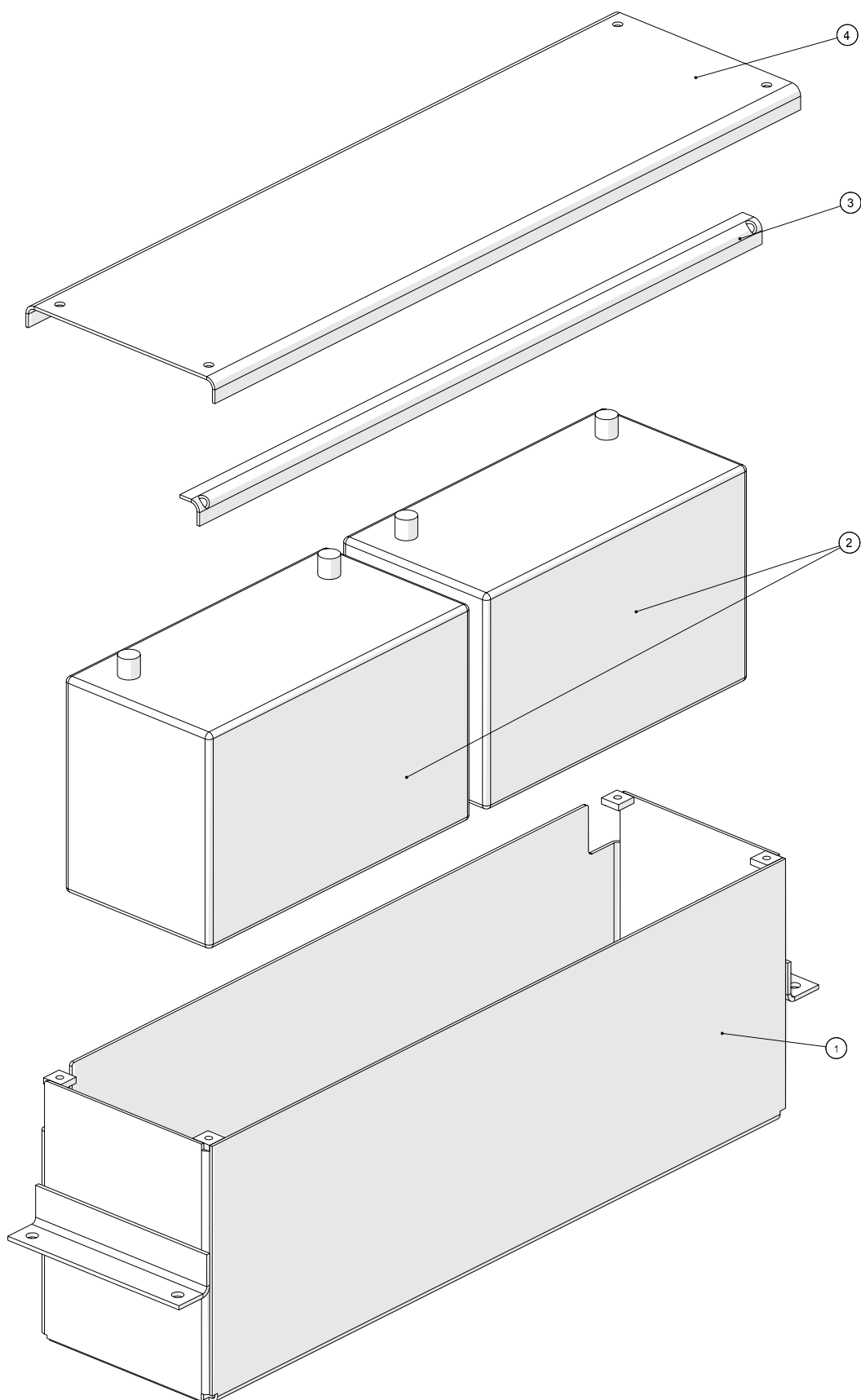
Control Box



| | |
|---|-----------------|
| Pump Unit DP201 Model year 2008 - | Date: 23/4-2015 |
| | 33 |

| Control box | | | | |
|--------------------|-----------|------|----------------------------|------|
| Pos. no. | Item no. | Pcs. | Description | Note |
| 1 | 250179640 | 1 | Suspension for Control box | |
| 2 | 25017400 | 4 | Vibration absorber | |
| 3 | | 1 | Control box | |

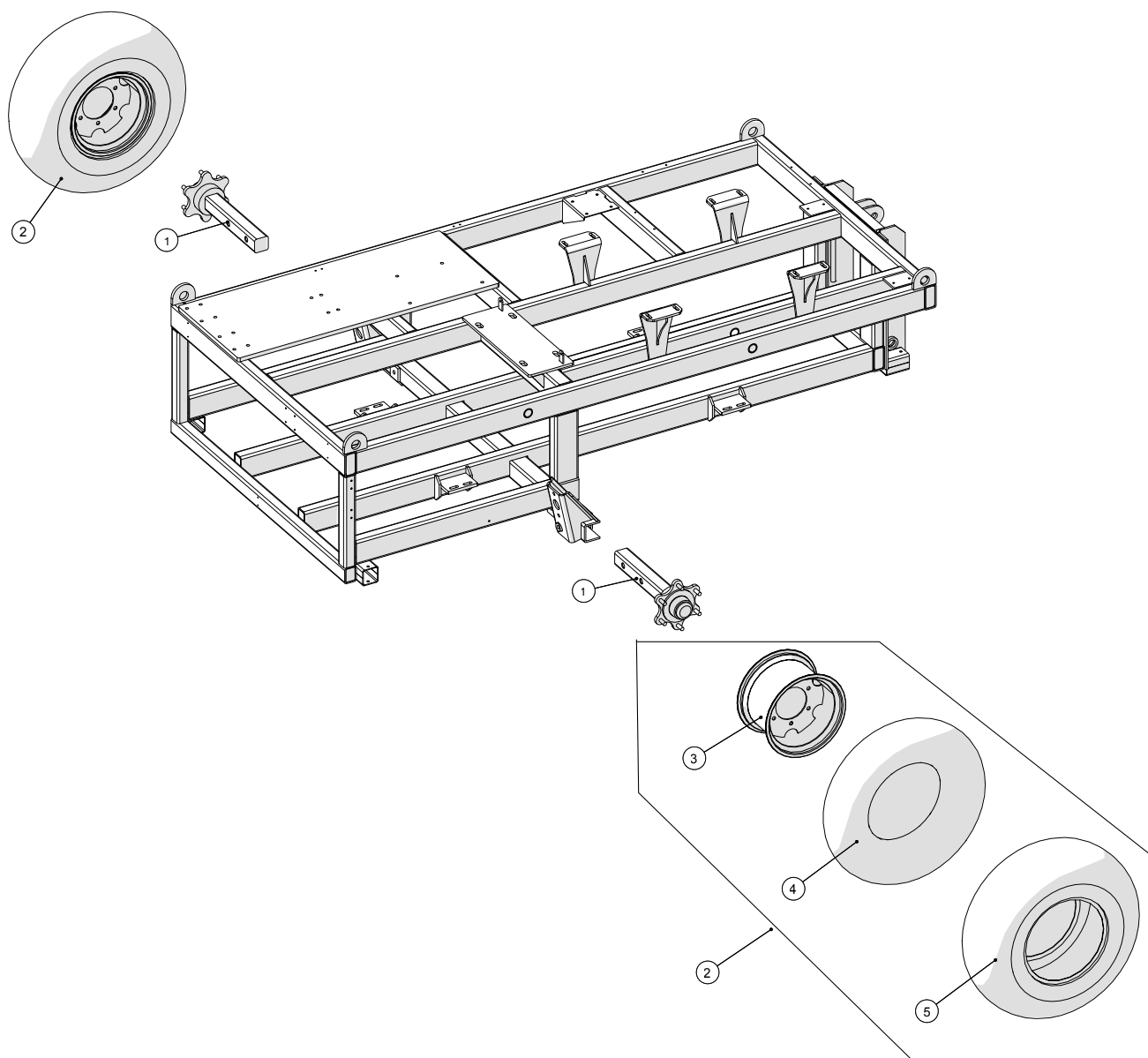
Battery Box



| | |
|---|-----------------|
| Pump Unit DP201 Model year 2008 - | Date: 23/4-2015 |
| | 35 |

| Battery Box | | | | |
|--------------------|---------------|------|-----------------------|------|
| Pos. no. | Item no. | Pcs. | Description | Note |
| 1 | 250179726 | 1 | Battery Box | |
| 2 | 25017385 | 2 | Battery 61047 type643 | |
| 3 | 2501790221-15 | 1 | Battery bracket | |
| 4 | 2501790221-25 | 1 | Lid for battery box | |

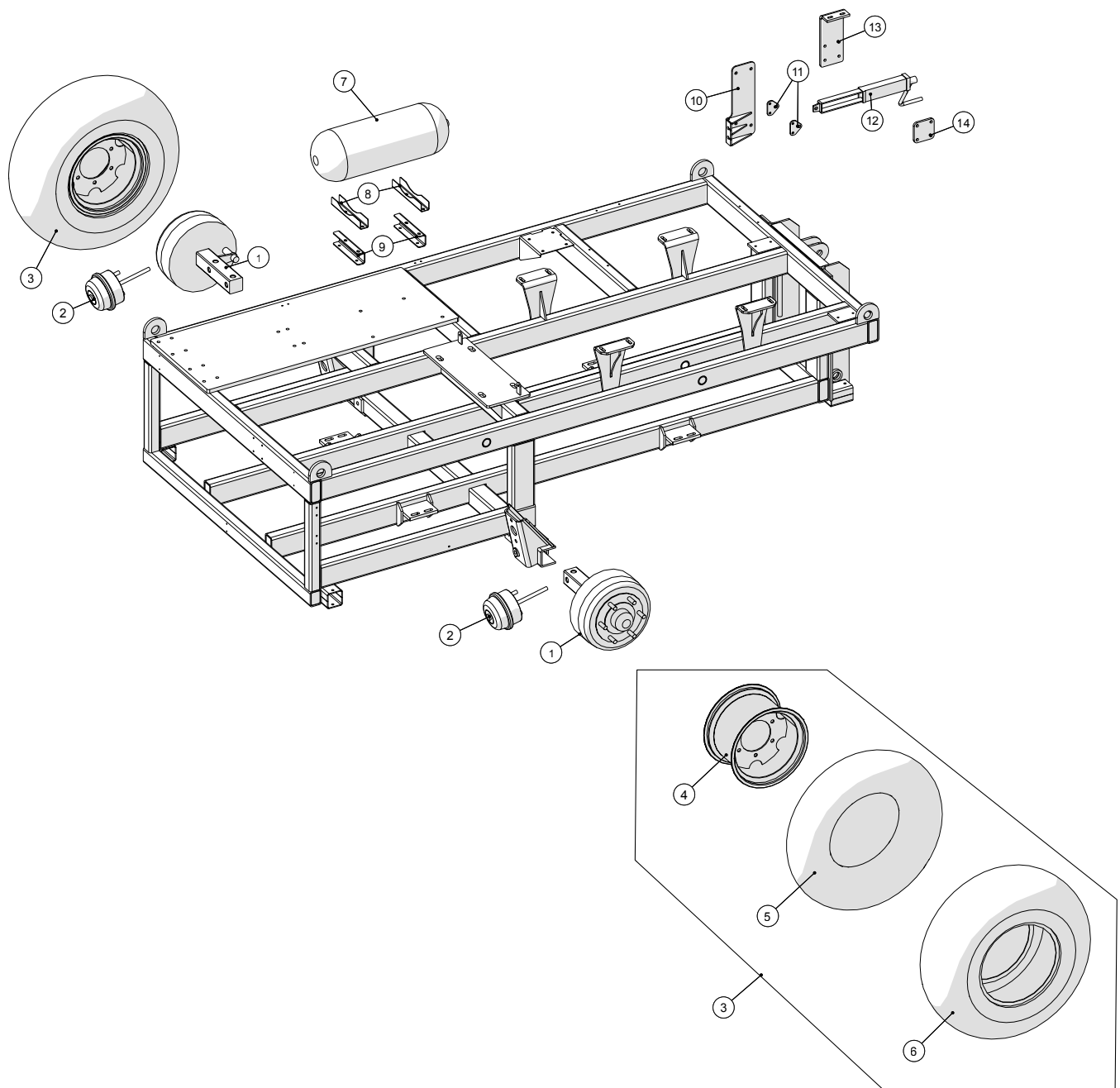
Hub - without brakes



| | |
|---|-----------------|
| Pump Unit DP201 Model year 2008 - | Date: 23/4-2015 |
| | 37 |

| Hub - without brakes | | | | |
|-----------------------------|-----------|------|--|------|
| Pos. no. | Item no. | Pcs. | Description | Note |
| 1 | 250179866 | 2 | Hub without brakes | |
| 2 | 25017307 | 2 | Wheel cpl. 11,5/80x15,3 18 layers | |
| 3 | 25017310 | 1 | Rim 9,00x15,3 | |
| 4 | 25017315 | 1 | EUROSTONE MARTHON hose | |
| 5 | 25017306 | 1 | ALLIANCA tire 11,5/80x15,3/18TT320 18 layers | |

Hub - with airbrakes



Pump Unit DP201
Model year 2008 -

Date: 23/4-2015

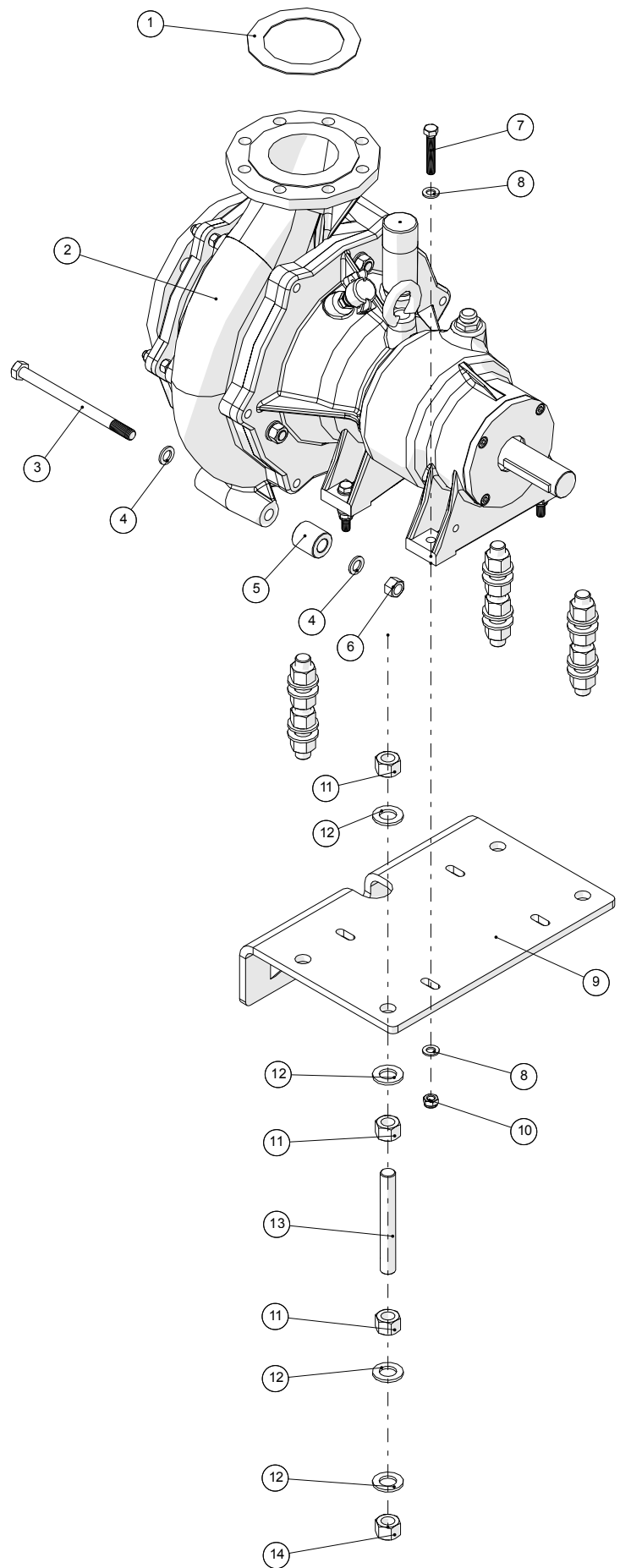
39

Hub - with airbrakes

| Pos. no. | Item no. | Pcs. | Description | Note |
|----------|-----------|------|---|------|
| 1 | 250180439 | 2 | Hub-B 300kg Q70x335 6/16/12 300Gx90 TÜV B70K037 | |
| 2 | 250180436 | 2 | Damper | |
| 3 | 25017307 | 2 | Wheel cpl. 11,5/80x15,3 18 layers | |
| 4 | 25017310 | 1 | Rim 9,00x15,3 | |
| 5 | 25017315 | 1 | EUROSTONE MARTHON hose | |
| 6 | 25017306 | 1 | ALLIANCA tire 11,5/80x15,3/18TT320 18 layers | |
| 7 | 25017710 | 1 | Pressure tank 40ltr | |
| 8 | 25017711 | 2 | Tank suspension | |
| 9 | 250179864 | 2 | Distance bracket for pressure tank | |
| 10 | 250180481 | 1 | Bracket for parking brake cable | |
| 11 | 250180473 | 2 | Bracket for parking brake | |
| 12 | 250180472 | 1 | Parking brake release | |
| 13 | 250179861 | 1 | Bracket for parking brake | |
| 14 | 250180479 | 1 | Mounting plate for parking brake | |



Bauer SX2600 Pump



Pump Unit DP201
Model year 2008 -

Date: 23/4-2015

41

Bauer SX2600 Pump

| Pos. no. | Item no. | Pcs. | Description | Note |
|----------|-------------|------|-------------------------------|------|
| 1 | 13250545 | 1 | Flange gasket NW100 162x115mm | |
| 2 | 23053452010 | 1 | SX2600 Bauer Slurry Pump | |
| 3 | | 2 | Steel Bolt M16x220 | |
| 4 | | 4 | Washer M16 | |
| 5 | 250179623 | 2 | Bush for Bauer pump 42mm | |
| 6 | | 2 | Lock Nut M16 | |
| 7 | | 4 | Bolt M12x70 | |
| 8 | | 8 | Washer M12 | |
| 9 | 250179619 | 1 | Mounting plate for Bauer pump | |
| 10 | | 4 | Lock Nut M12 | |
| 11 | | 12 | Nut M22 | |
| 12 | | 16 | Washer M24 | |
| 13 | | 4 | Steel Bolt M22x90 | |
| 14 | | 4 | Lock Nut M22 | |



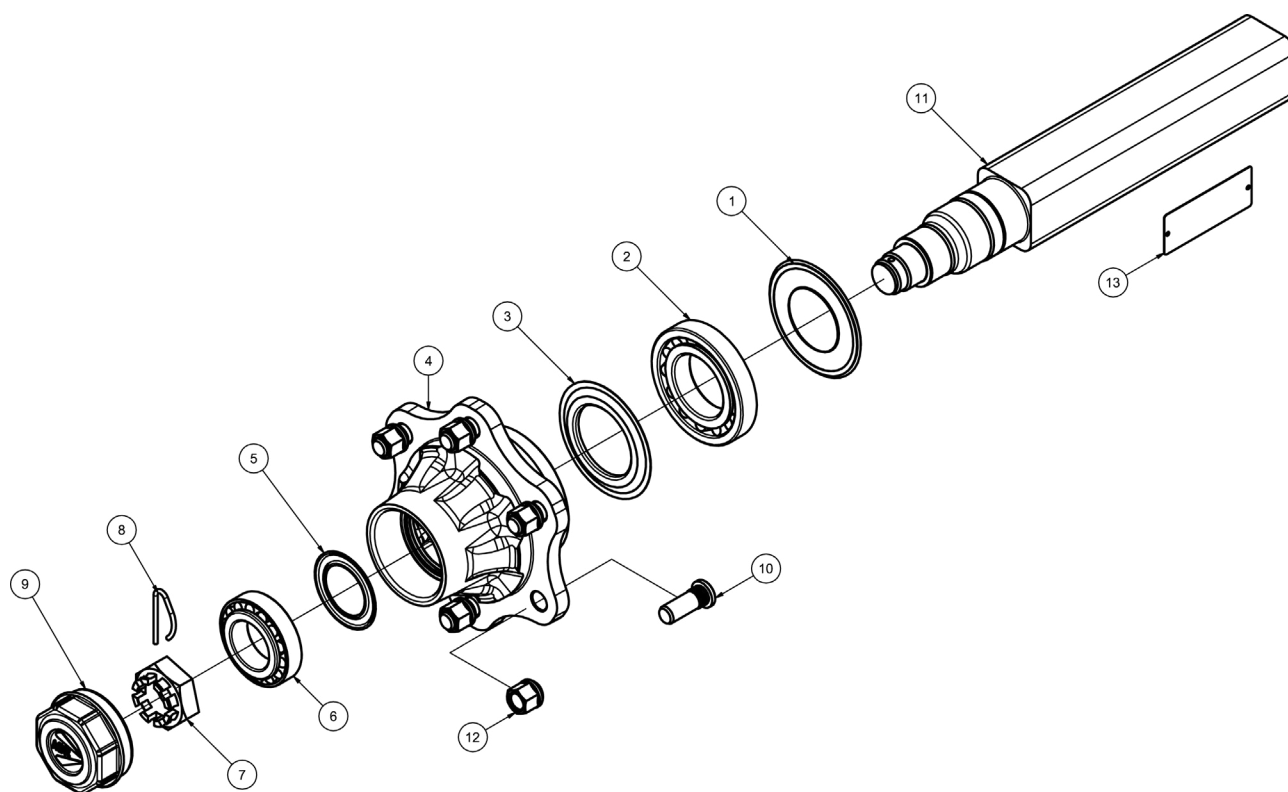
Date: 23/4-2015

42

Pump Unit DP201

Model year 2008 -

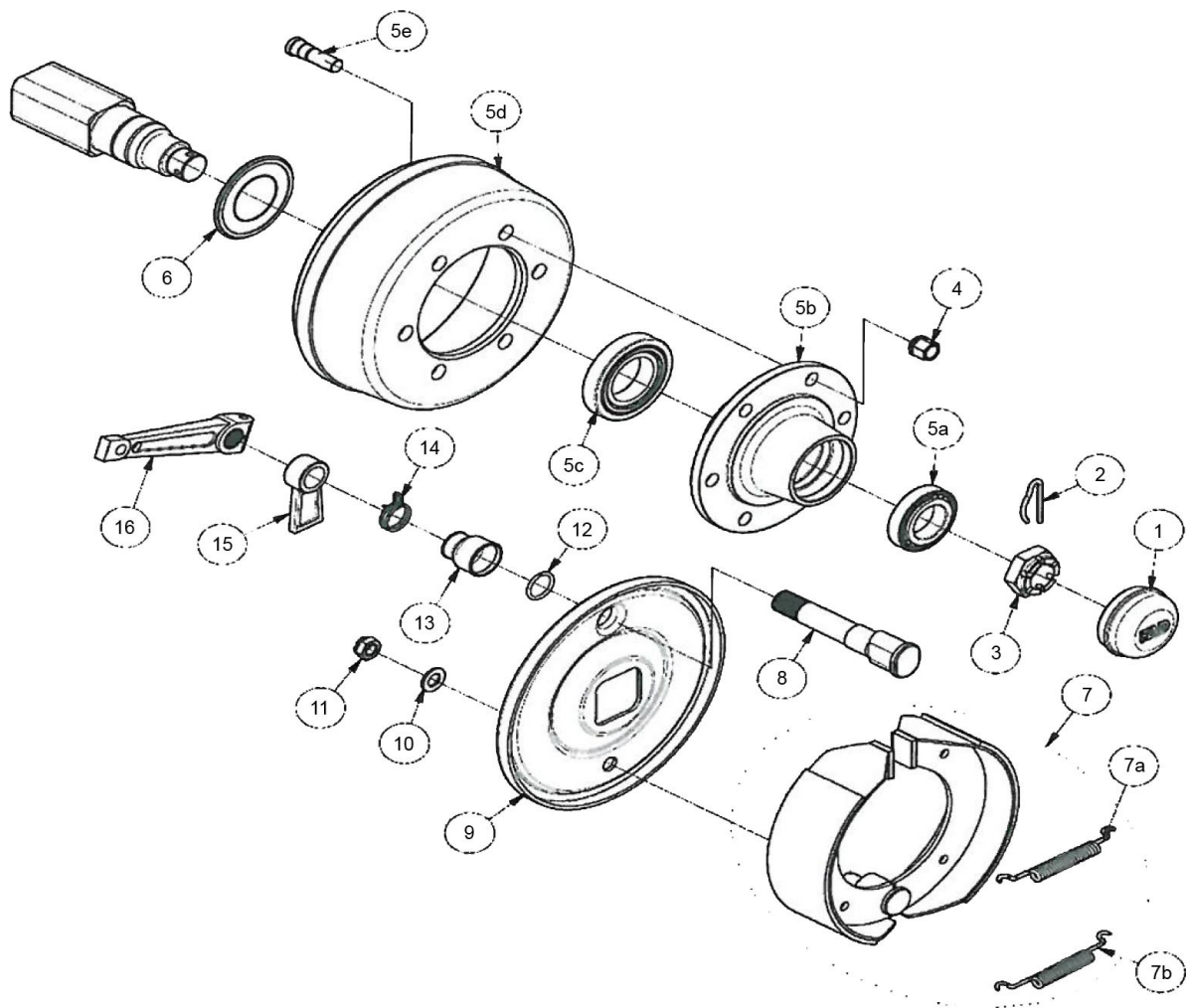
ADR hub - without brakes



| | |
|---|-----------------|
| Pump Unit DP201 Model year 2008 - | Date: 23/4-2015 |
| | 43 |

| ADR hub - without brakes | | | | |
|--------------------------|----------------|------|--|------|
| Pos. no. | Item no. | Pcs. | Description | Note |
| 1 | 25025411201 | 1 | Grease seal | |
| 2 | 250259130213 | 1 | Bearing | |
| 3 | 25025511201 | 1 | Nilos | |
| 4 | 250261L6NA002 | 1 | Hub | |
| 5 | 25025530801 | 1 | Grease seal | |
| 6 | 250259132210 | 1 | Bearing | |
| 7 | 250257539B2 | 1 | Crown nut M39x1.50 WR60 H30 | |
| 8 | 250258205 | 1 | Spring pin for nut M39 | |
| 9 | 250256109003 | 1 | Grease Cap \varnothing 90 | |
| 10 | 250257118B1 | 6 | Wheel Bolt M18x1,50 L054 | |
| 11 | 250269NA700031 | 1 | Spindle | |
| 12 | 250257318B4 | 6 | Wheel nut M18x1,50 CH24 German type | |
| 13 | 250294201 | 1 | Identification plate aluminium 115x045 THK 0,5 | |

FAD hub - with air brake



Pump Unit DP201
Model year 2008 -

Date: 23/4-2015

45

FAD hub - with air brake

| Pos. no. | Item no. | Pcs. | Description | Note |
|----------|--------------|------|----------------------|------|
| 1 | 2502307F049 | 1 | Cap | |
| 2 | 2502344F053 | 1 | Split pin | |
| 3 | 2502328F012 | 1 | Crown nut | |
| 4 | 2502312F010 | 6 | Nut | |
| 5 | 2502323092FX | | Kit (5a+5b+5c+5d+5e) | |
| 5a | 2502311F034 | 1 | Bearing | |
| 5b | 2502323092T | 1 | Machined hub | |
| 5c | 2502311F040 | 1 | Bearing | |
| 5d | 2502331F043 | 1 | Brake drum | |
| 5e | 2502309F024 | 6 | Stud | |
| 6 | 2502324F003 | 1 | Hub sealing | |
| 7 | 2502316A043C | 1 | Brake mass | |
| 7a | 2502322F006 | 1 | Spring | |
| 7b | 2502322F005 | 1 | Spring | |
| 8 | 2502301F503 | 1 | Cam shaft | |
| 9 | 2502313F122 | 1 | Brake mass disk | |
| 10 | 2502329F011 | 1 | Washer | |
| 11 | 2502328F002 | 1 | Nut | |
| 12 | 2502332F009 | 1 | Ring | |
| 13 | 2502349F0341 | 1 | Bush | |
| 14 | 2502322F046 | 1 | Spring | |
| 15 | 2502330F021 | 1 | Camshaft support | |
| 16 | 2502320F020 | 1 | Brake lever | |