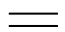
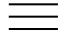


# Pump unit

## Spare Parts for APV250 Model year 2018 -




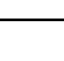


Date: 01-2019	Pump Unit APV250 Model year 2018 -	 1  2 ↓	A-Z
3			

## Table of Contents:

Hose reel.....	7
Hose protection.....	9
Crane .....	11
Suction Hose .....	13
AGM turbo filler .....	15
Support Bearing .....	17
Hose guide rollers.....	19
Pipe system .....	21
Pipe system - Anti Cavitation.....	25
Pipe system - Flow Meter .....	27
Pipe system - Self-priming Unit.....	29
Pipe system - Water input .....	31
Pipe system - Booster .....	33
Pipe system - Air.....	35
Water tank.....	37
Water Tank - with buffer tank .....	39
Diesel tank .....	41
Hydraulik.....	43
Radiator - Tier 3A .....	45
Radiator - Tier 3B .....	47
Engine - Tier 3A .....	49
Engine - Tier 3B .....	51
Exhaust Filter - Tier 3B.....	53
Compressor .....	55
Coupling.....	57
Gear shifting function.....	59
Chassis .....	61
Control box .....	63
Electrical cabinet - internal components.....	65
Battery box .....	67
Brakes - Hydraulic.....	69
Brakes - Pneumatic .....	71
Support leg .....	73
BAUER SX2000 pump.....	75
Hub for Hydraulic brake .....	77
Hub for Pneumatic brake.....	79
Screw compressor NK 200 - Compact module .....	83
Screw compressor NK 200 - Filter .....	85
Screw compressor NK 200 - Components.....	87
Screw compressor NK 200 - Maintenance Kit, Bearing and Shaft Sealing .....	89
Screw compressor NK 200 - Maintenance Kit: Minimum Pressure Valve, Double Separator.....	91
Screw compressor NK 200 - Maintenance Kit: Intake Valve.....	93
Screw compressor NK 200 - Single Parts: Basic Module.....	95
Screw compressor NK 200 - Single Parts: Front Cover .....	99
Screw compressor NK 200 - Single Parts: Separator vessel and Double separator .....	101
Screw compressor NK 200 - Single Parts: Thermostat head.....	103

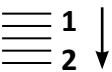


Date: 01-2019	<b>Pump Unit APV250</b> Model year 2018 -	 <b>1</b> ↓  <b>2</b> ↓	<b>A-Z</b>
4			

## Table of Contents:

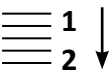
Screw compressor NK 200 - Single Parts: Control Block Electric .....	105
Screw compressor NK 200 - Single Parts: Electric Control Block, Control Valve.....	107
Screw compressor NK 200 - Single Parts: Intake Control and Intake Filter .....	109
BAUER Self-priming Unit - T-piece .....	111
BAUER Self-priming Unit - Evacuating pump.....	113
BAUER Self-priming Unit - Evacuating pump with hydro gear .....	115
TÜV .....	117



 <b>A-Z</b>	<b>Pump Unit APV250</b> Model year 2018 -	Date: 01-2019
		5

## Alphabetic index:

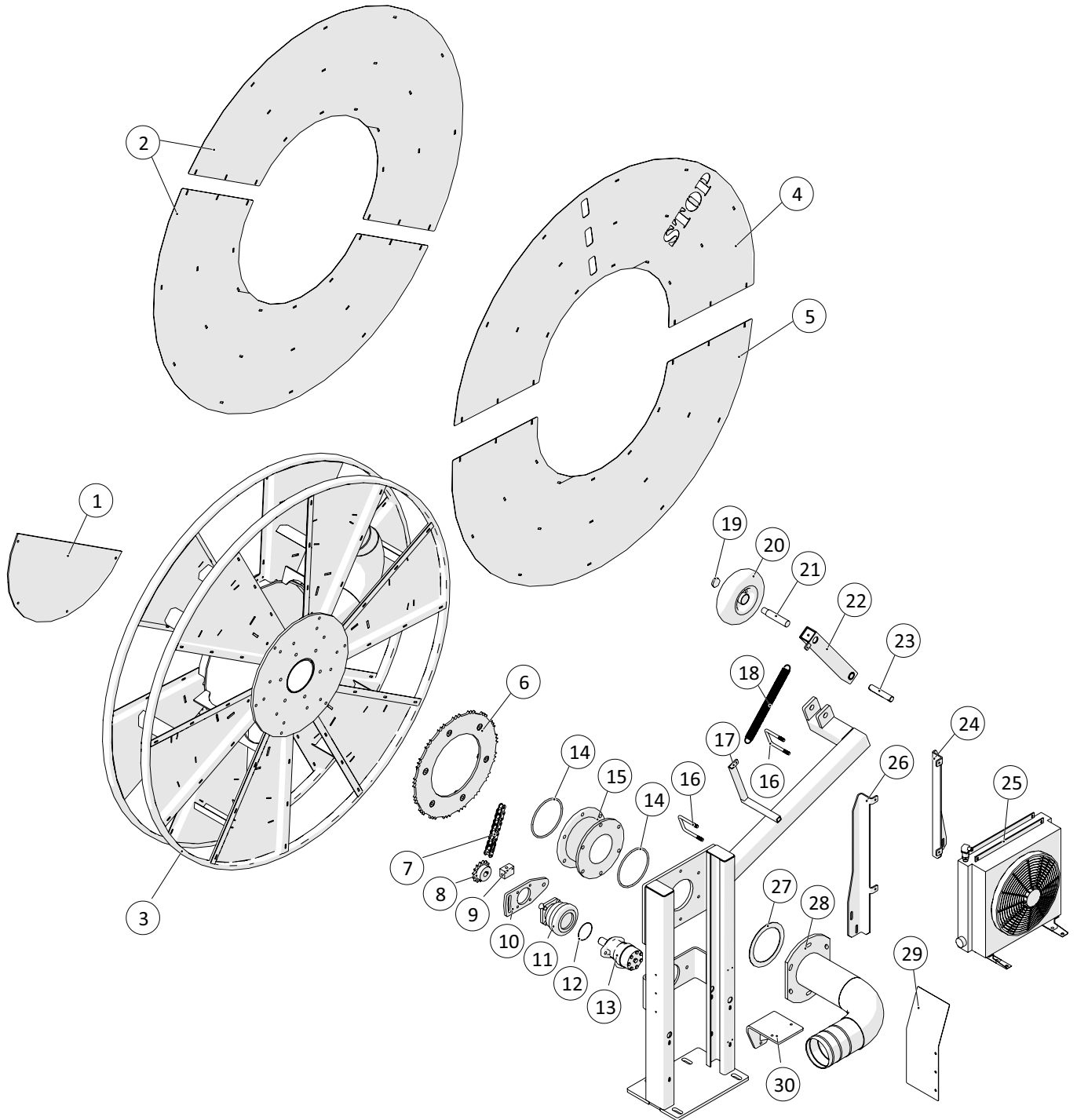
AGM turbo filler .....	15
Battery box .....	67
BAUER Self-priming Unit - Evacuating pump .....	113
BAUER Self-priming Unit - Evacuating pump with hydro gear .....	115
BAUER Self-priming Unit - T-piece .....	111
BAUER SX2000 pump.....	75
Brakes - Hydraulic.....	69
Brakes - Pneumatic .....	71
Chassis .....	61
Compressor .....	55
Control box .....	63
Coupling.....	57
Crane .....	11
Diesel tank .....	41
Electrical cabinet - internal components.....	65
Engine - Tier 3A .....	49
Engine - Tier 3B .....	51
Exhaust Filter - Tier 3B.....	53
Gear shifting function.....	59
Hose guide rollers.....	19
Hose protection.....	9
Hose reel.....	7
Hub for Hydraulic brake .....	77
Hub for Pneumatic brake.....	79
Hydraulik.....	43
Pipe system .....	21
Pipe system - Air.....	35
Pipe system - Anti Cavitation.....	25
Pipe system - Booster .....	33
Pipe system - Flow Meter .....	27
Pipe system - Self-priming Unit.....	29
Pipe system - Water input .....	31
Radiator - Tier 3A .....	45
Radiator - Tier 3B .....	47
Screw compressor NK 200 - Compact module .....	83
Screw compressor NK 200 - Components.....	87
Screw compressor NK 200 - Filter .....	85
Screw compressor NK 200 - Maintenance Kit, Bearing and Shaft Sealing .....	89
Screw compressor NK 200 - Maintenance Kit: Intake Valve.....	93
Screw compressor NK 200 - Maintenance Kit: Minimum Pressure Valve, Double Separator.....	91
Screw compressor NK 200 - Single Parts: Basic Module.....	95
Screw compressor NK 200 - Single Parts: Control Block Electric .....	105
Screw compressor NK 200 - Single Parts: Electric Control Block, Control Valve.....	107
Screw compressor NK 200 - Single Parts: Front Cover .....	99
Screw compressor NK 200 - Single Parts: Intake Control and Intake Filter .....	109

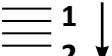
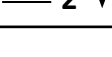
 <b>A-Z</b>	<b>Pump Unit APV250</b> Model year 2018 -	Date: 01-2019
		6

## Alphabetic index:

Screw compressor NK 200 - Single Parts: Separator vessel and Double separator .....	101
Screw compressor NK 200 - Single Parts: Thermostat head.....	103
Suction Hose .....	13
Support Bearing .....	17
Support leg .....	73
TÜV.....	117
Water tank.....	37
Water Tank - with buffer tank .....	39

Hose reel

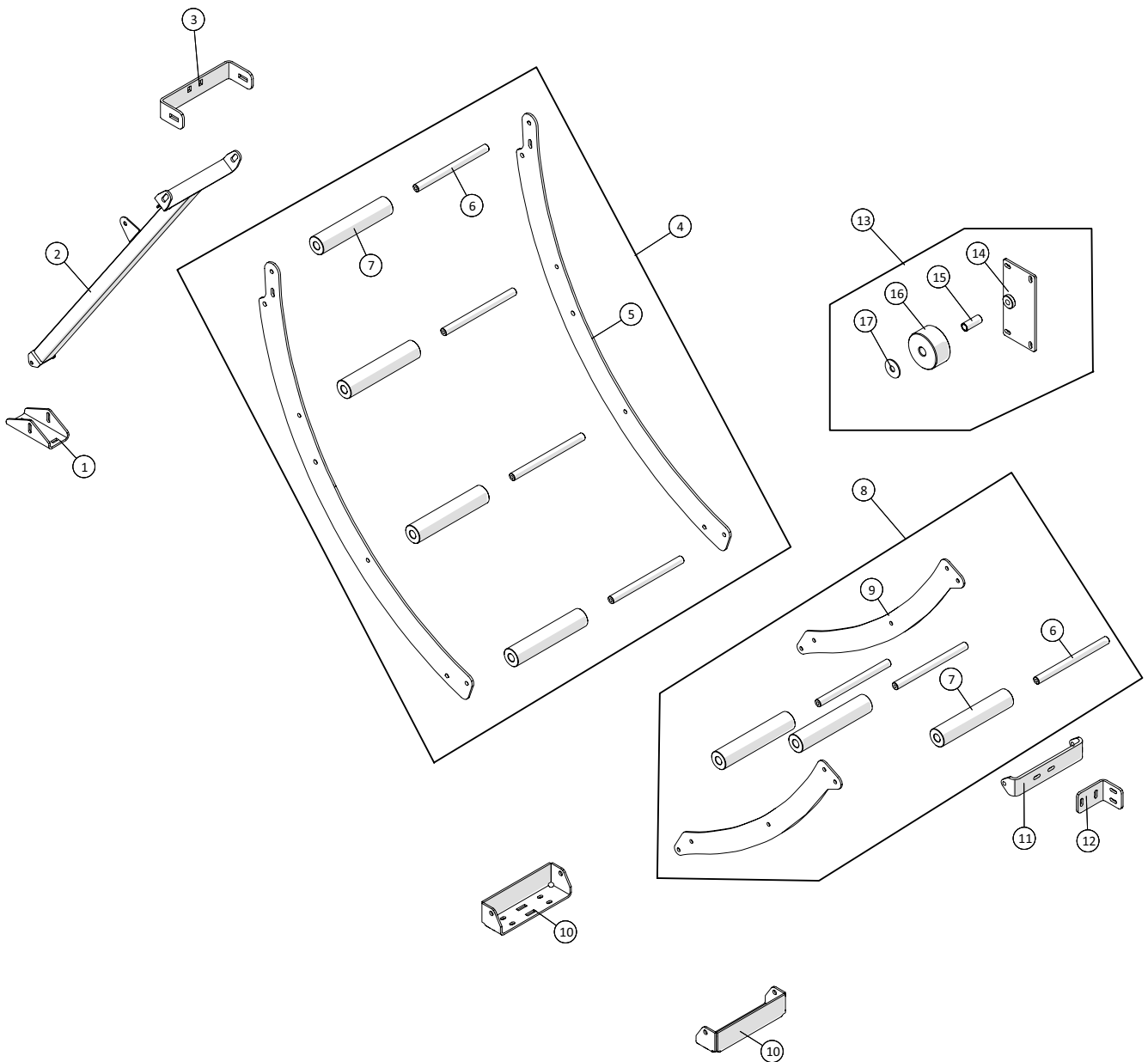


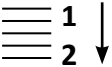
 1 ↓  2 ↓	<b>A-Z</b>	<b>Pump Unit APV250</b> Model year 2018 -	Date: 01-2019
			8

Hose reel				
Pos. no.	Item no.	Pcs.	Description	Note
1	2501790415-12	1	Cover plate middle	
2	250181337	2	Cover plate stainless steel	
3	250181802	1	6" hose reel	
4	250181490	1	Cover plate stainless steel with stop	
5	250181367	1	Cover plate stainless stell	
6	2501790420	1	Plate wheels for hose reel ¾" z=85	
7		1	Chain	
8	25017275	1	Chain wheel ¾" z=15	
9	25017270	1	Exchange valve VT-1/4	
10	2501790421	1	Console for S.A.H.R brake	
11	2501790421	1	Console for S.A.H.R brake	
12	2514851451	1	S.A.H.R brake	
13	25017265	1	Oil motor OMR 200 HPS Ø25 DANFOSS	
14	2514851451-1	2	O-ring	
15	25017265	1	Oil motor OMR 200 HPS Ø25 DANFOSS	
16	21040820	2	Slewing ring MZ DN150	
17	21040837	1	O-ring for slewing ring	
18	1514004232350	1	Tension spring Ø32x3,5x88vx350	
19	15110611575	1	Nut M16x1, 5	
20	25017329	1	Crane wheel	
21	25017345	1	Shaft 25mm	
22	250180071	1	Hose reel Stand	
23	2501790480	1	Pin	
24	250181743	1	Bracket for oil cooler	
25	2514702598	1	Oil cooler	
26	250181742	1	Bracket for oil cooler	
27	151377801073	1	Flange gasket NW150	
28	1514004232350	1	Tension spring Ø32x3,5x88vx350	
29	2501790410-07	1	Chain guard	
30	250181054	1	Bracket for BAUER Vacuum pump	



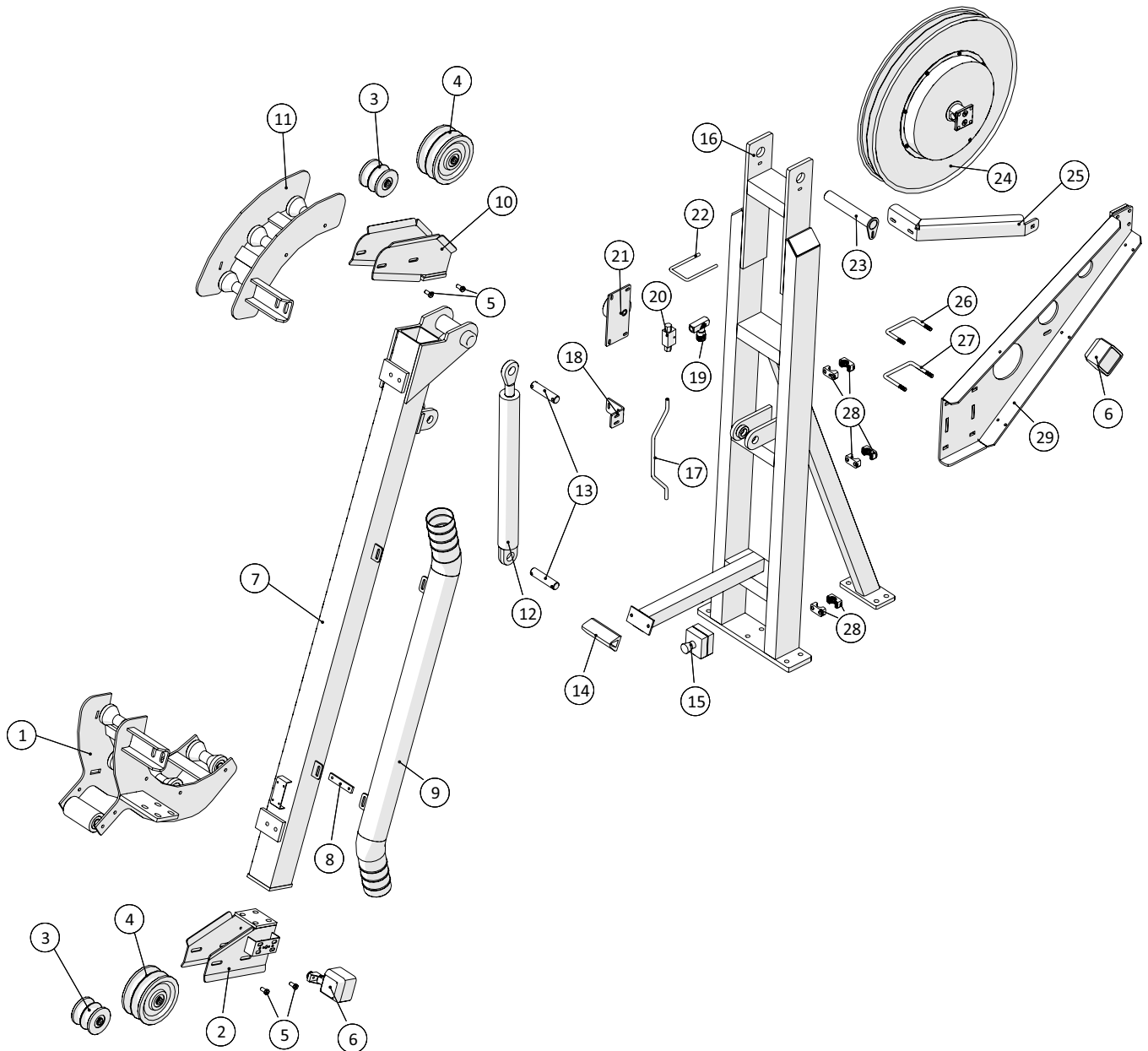
Hose protection

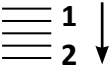


 1 ↓ 2 ↓	<b>A-Z</b>	<b>Pump Unit APV250</b> Model year 2018 -	Date: 01-2019
			10

Hose protection				
Pos. no.	Item no.	Pcs.	Description	Note
1	250180615	1	Bottom attachment for hose guide	
2	250180541	1	Cross brace for hose guide	
3	250181290	1	Bracket	
4	250180546	1	Hose protection	
5	250180514	2	Hose protection plate	
6	250180515	7	Shaft for hose reel	
7	250180516	7	POM roller for hose	
8	250180551	1	Small hose guide	
9	250180547	2	Side plate for small hose guide	
10	250180537	2	Bracket for hose guide	
11	250180549	1	Clamp for hose guide	
12	250180550	1	Bracket for clamp for hose guide	
13	250180635	1	Roller by crane stand	
14	250180640	1	Backplate for roller by crane stand	
15	250180641	1	Shaft for roller by crane stand	
16	250180636	1	Roller by crane stand	
17		1	Washer 16mm	

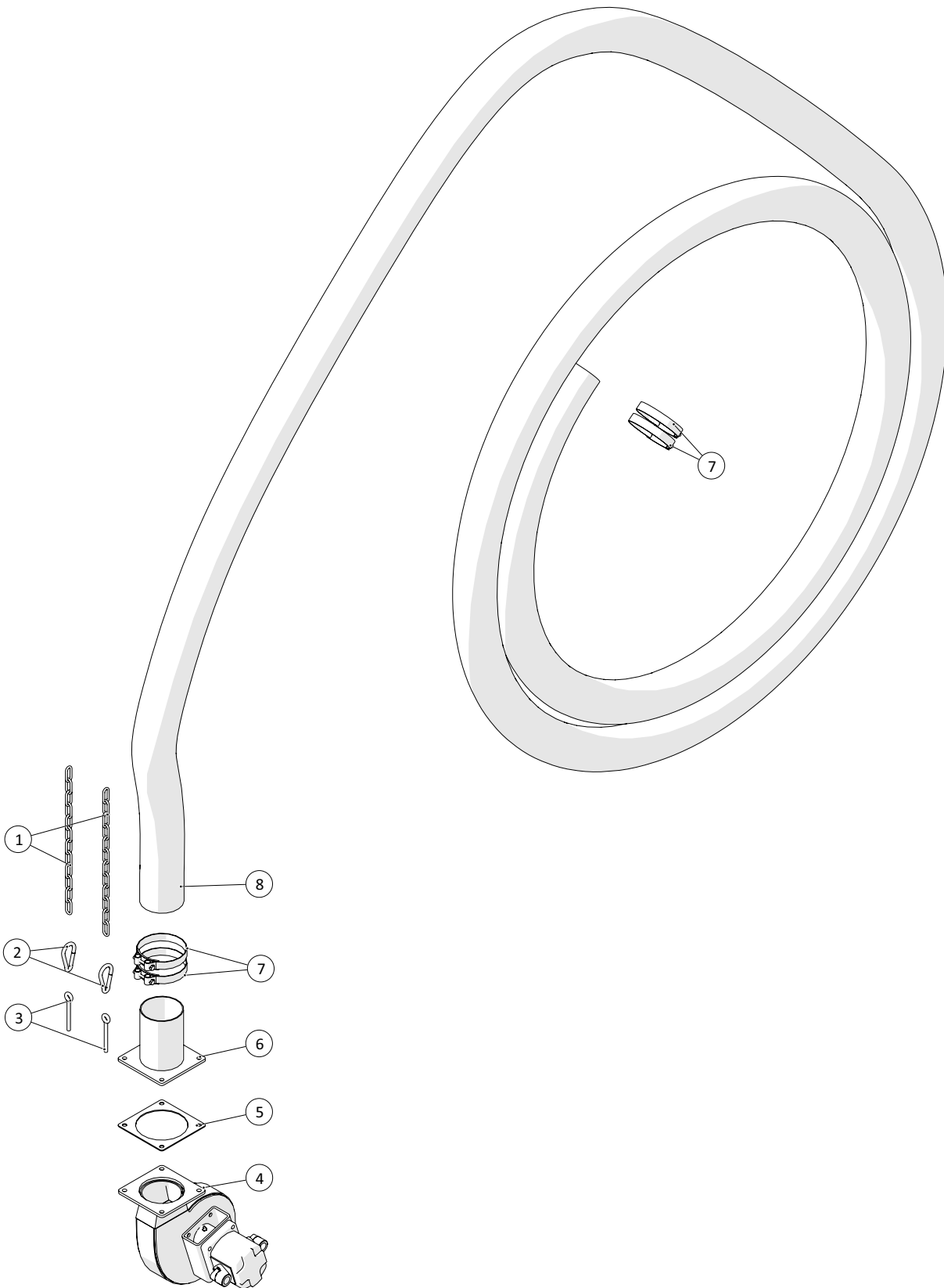
## Crane

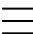
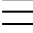


 <b>1</b> ↓ <b>2</b> ↓	<b>A-Z</b>	<b>Pump Unit APV250</b> Model year 2018 -	Date: 01-2019
			12

Crane				
Pos. no.	Item no.	Pcs.	Description	Note
1	250181744	1	Bracket for hose reel	Page 17-18, Hose guide rollers
2	250179700	1	Rear suspension for reversing rollers	
3	250179749	2	Counterroller complete	Page 17-18, Hose guide rollers
4	250179748	2	Turning Roller complete	Page 17-18, Hose guide rollers
5	2501790390	4	Lubricating Bolt (crane lever)	
6	2514861061	2	Work lamp	
7	2501790325	1	Lever High Flow	
8	250180925	1	Mounting plate	
9	250180428	1	Pipe for stirring	
10	250179690	1	Rear suspension for reversing rollers	
11	250179727	1	Back bracket for hose reel	Page 17-18, Hose guide rollers
12	25017105	1	Hydraulic cylinder Lmin=915mm	
13	2501790389	2	Pin Ø30	
14	21201052	1	Fender Rubber 60x50mm	
15	25030020	1	Emergency stop	
16	250179032	1	Crane stand	
17	2501790287	1	Hydraulic pipe for crane cylinder	
18	250180550	1	Bracket for clamp for hose guide	
19	25017200	1	Throttle-valve - TOGNELLA	
20	250180635	1	Roller by crane stand	
21	25017185	1	Double locking valve ¼" VBPDE	
22	251476634580	1	U-clamp	
23	2501790388	1	Pin Ø40	
24	250179672	1	Hose reel	
25	250181329	1	Bracing for hose reel	
26	250179637	1	Bracket	
27	251476634940	1	U-clamp M12	
28	51000030-01	6	STAUFF Clamp Body, single 30mm	
29	250179659	1	Suspension for hydraulic hose reel	

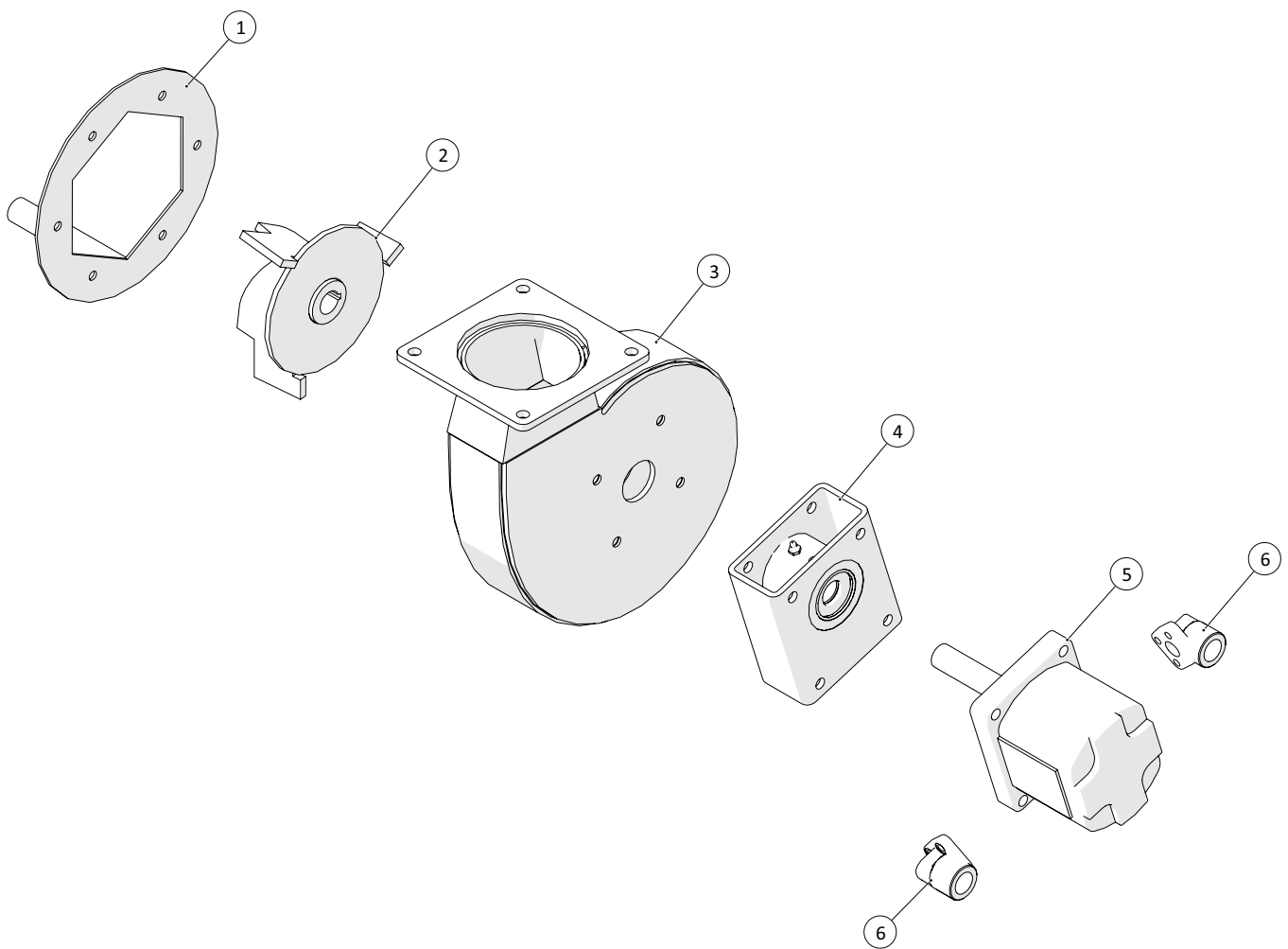
Suction Hose

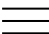
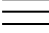


 1 ↓  2 ↓	<b>A-Z</b>	<b>Pump Unit APV250</b> Model year 2018 -	Date: 01-2019
			14

Suction Hose				
Pos. no.	Item no.	Pcs.	Description	Note
1	1513KS10020110	2x45cm	Chain	
2	12280102	2	Snap hook stainless steel	
3	1326901085	2	Eye bolts M10x100	
4	23500062	1	AGM Turbo Filler	Page 13-14, AGM Turbo Filler
5	20140715	1	MZ rubber gasket 4", 5", 6"	
6	20140845	1	Hose connector 5" MZ flange x 127mm	
7	16200740	4	Hoseclamp 140-148mm	
8	16010180	1	HEDUFLEX rubber hose 5"/Ø127	

**AGM turbo filler**

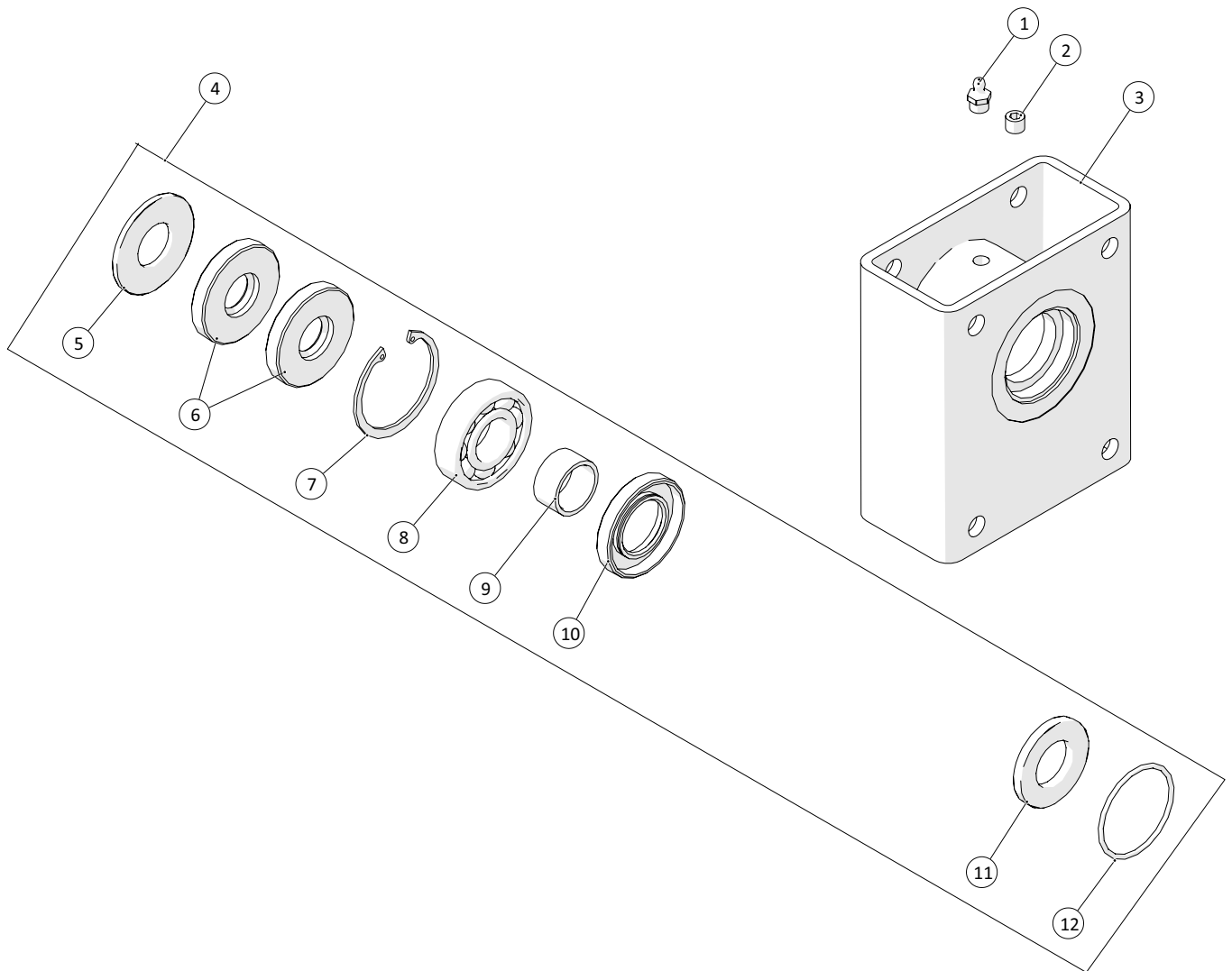


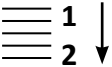
 1 ↓  2 ↓	<b>A-Z</b>	<b>Pump Unit APV250</b> Model year 2018 -	Date: 01-2019
			16

AGM turbo filler				
Pos. no.	Item no.	Pcs.	Description	Note
1	250181057	1	Inlet knife	
2	2350770112	1	Impeller 6"	
3	2350771515	1	Pump housing 6"	
4	2350772562000	1	Support Bearing - complete	Page 15-16, Support Bearing
5	2350218732000	1	Hydraulic engine 6"	
6	25017095	2	Port flange for hydraulics 3/4"	



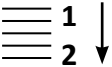
**Support Bearing**



 1 ↓ 2 ↓	<b>A-Z</b>	<b>Pump Unit APV250</b> Model year 2018 -	Date: 01-2019
			18

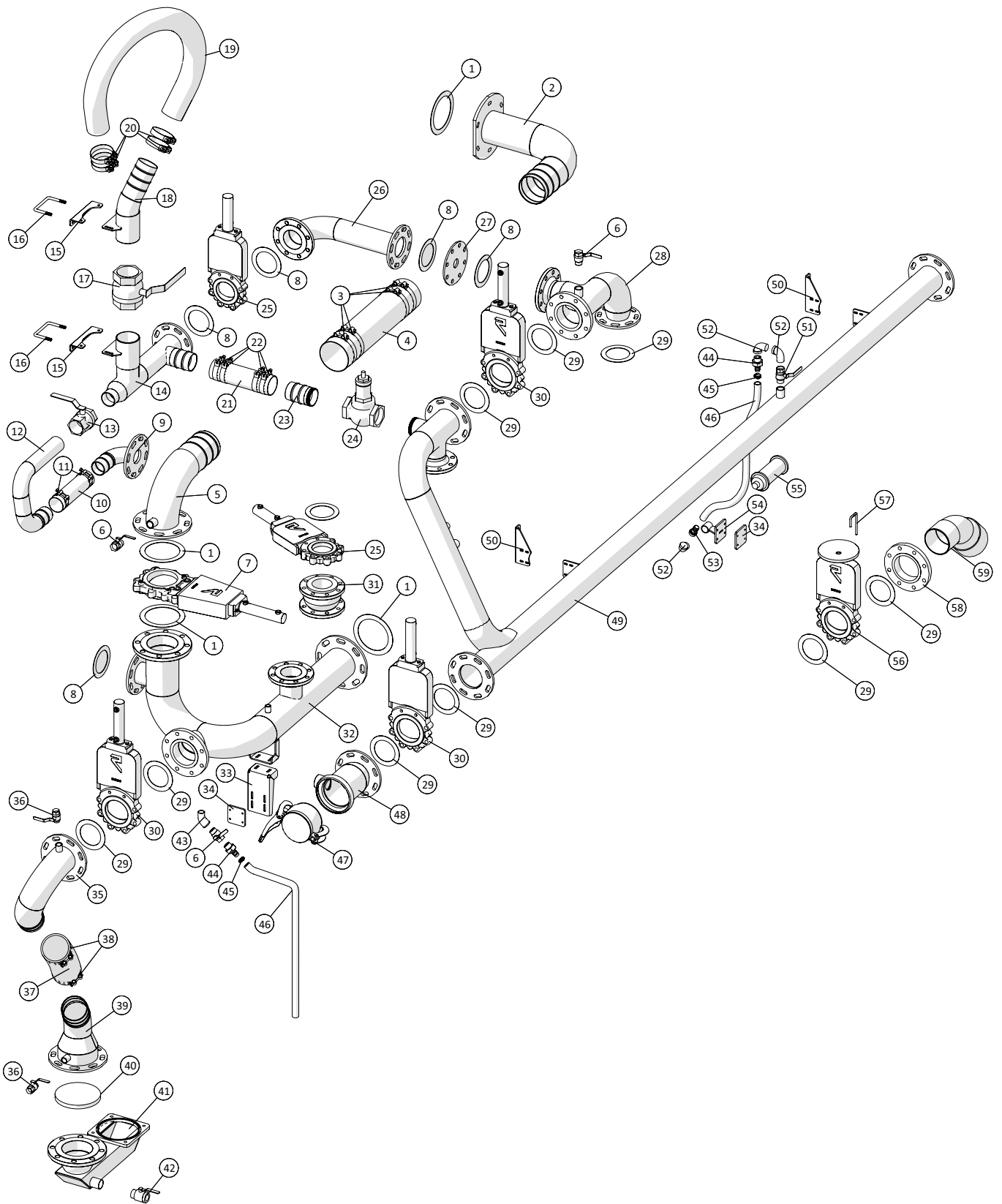
Support Bearing				
Pos. no.	Item no.	Pcs.	Description	Note
1	2350208392000	1	Grease nipple 1/8"	
2	2350228670000	1	Plug 1/8"	
3	2350772561000	1	Aksel bearing	
4	2350772561000-1	1	Support Bearing kit	
5	2350405991000	1	Washer $\varnothing 57 \times \varnothing 25,5$	
6	2350219158000	2	Shaft Sealing	
7	2350229927000	1	Retaining ring	
8	2350218429000	1	Ball bearing SKF RLS8	
9	2350408417000	1	Shaft sealing	
10	2350219162000	1	Shaft sealing	
11	2350405992000	1	Washer $\varnothing 50,5 \times \varnothing 27$	
12	2350219159000	1	O-ring $\varnothing 49,5$	

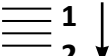


 <b>A-Z</b>	<b>Pump Unit APV250</b> Model year 2018 -	Date: 01-2019
		20

Hose guide rollers				
Pos. no.	Item no.	Pcs.	Description	Note
1	250179690	1	Rear suspension for reversing rollers	
2	250179749	2	Counterroller complete	
3	250179669	2	Counterroller for hydraulic hose reeling	
4	250179696	4	Shaft for roller - hydraulic hose reeling	
5	19300620502	24	Ball bearing 6205 2RS	
6	15110616037	24	Retaining ring A25	
7	2501790390	12	Lubricating Bolt (crane lever)	
8	250179748	2	Turning Roller complete	
9	250179668	2	Turning rollers for hose reels	
10	250179700	1	Rear suspension for turning rollers	
11	2501790335-01	1	Rear hose guide	
12	2501790330-10	1	Front hose guide	
13	2501790384	7	Roller - complete	
14	2501790385	7	Roller - separately	
15	2501790370	8	Shaft for roller	
16	2501790364	1	Top roller - complete	
17	2501790365	1	Top roller - separately	

Pipe system



 1 ↓ 2 ↓	<b>A-Z</b>	<b>Pump Unit APV250</b> Model year 2018 -	Date: 01-2019
			22

Pipe system				
Pos. no.	Item no.	Pcs.	Description	Note
1	13250555	4	Flange gasket NW150 218x169mm	
2	250180148	1	Outlet from hose reel	
3	16200744	4	Clamp 162-174mm	
4	16010185	0,8m	HEDUFLEX rubber hose 6"/Ø152	
5	250180146	1	Pipe for bypass	
6	13100068	3	Ball valve female/male 1"	
7	20144150	1	Ramus gate-valve w/cylinder DN150 6"	
8	13250546	6	Fiber Gasket NW100 162x115mm (3mm)	
9	250180983	1	Pipe 2 for switching	
10	16050200	0,3m	ARMTEX pressure hose black 2½"	
11	16200325	2	Clamp 75-85mm	
12	250180984	1	Pipe 2 sekund part for switching	
13	13100016	1	Ball valve female 2 ½"	
14	250180714	1	Pipe for switching	
15	250180334	2	Brackets for return	
16	250179637	2	Bracket	
17	13100020	1	Ball valve female 4"	
18	250180722	1	Pipe 3 for switching	
19	16010175	3m	HEDUFLEX rubber hose 4"/ Ø102	
20	16200734	4	Clamp 113-121mm	
21	16050210	0,4m	ARMTEX pressure hose black 3½"	
22	16200728	4	Clamp 92-97mm	
23	250180195	1	Short pipe for pressure	
24	13080025	1	Relief Valve w/spring 3"	
25	20144100	2	Ramus gate-valve w/cylinder DN100 4"	
26	250180372	1	Bypass pipe	
27	250179745	1	Flange Ø60 hole 4"	
28	250180185	1	Front pipe for outlet	
29	13250545	9	Flange gasket NW100 162x115mm	
30	20144125	3	Ramus gate-valve w/cylinder DN125 5"	
31	13250700DN100	1	Rubber compensator DN100 4"	
32	250180143	1	Inlet pipe	
33	250180147	1	Mounting plate for pipe	
34	250180084	2	Mounting plate	
35	250180373	1	Pipe 1 for water	
36	13100066	2	Ball valve female/male ¾"	
37	16010177	0,4m	HEDUFLEX rubber hose 4½"/ Ø110	
38	16200740	2	Clamp 140-148mm	
39	250180374	1	Pipe 2 for water	
40	13692125	1	Check valve INOX DN150	
41	250180376	1	Outlet pipe for water tank	

Date: 01-2019

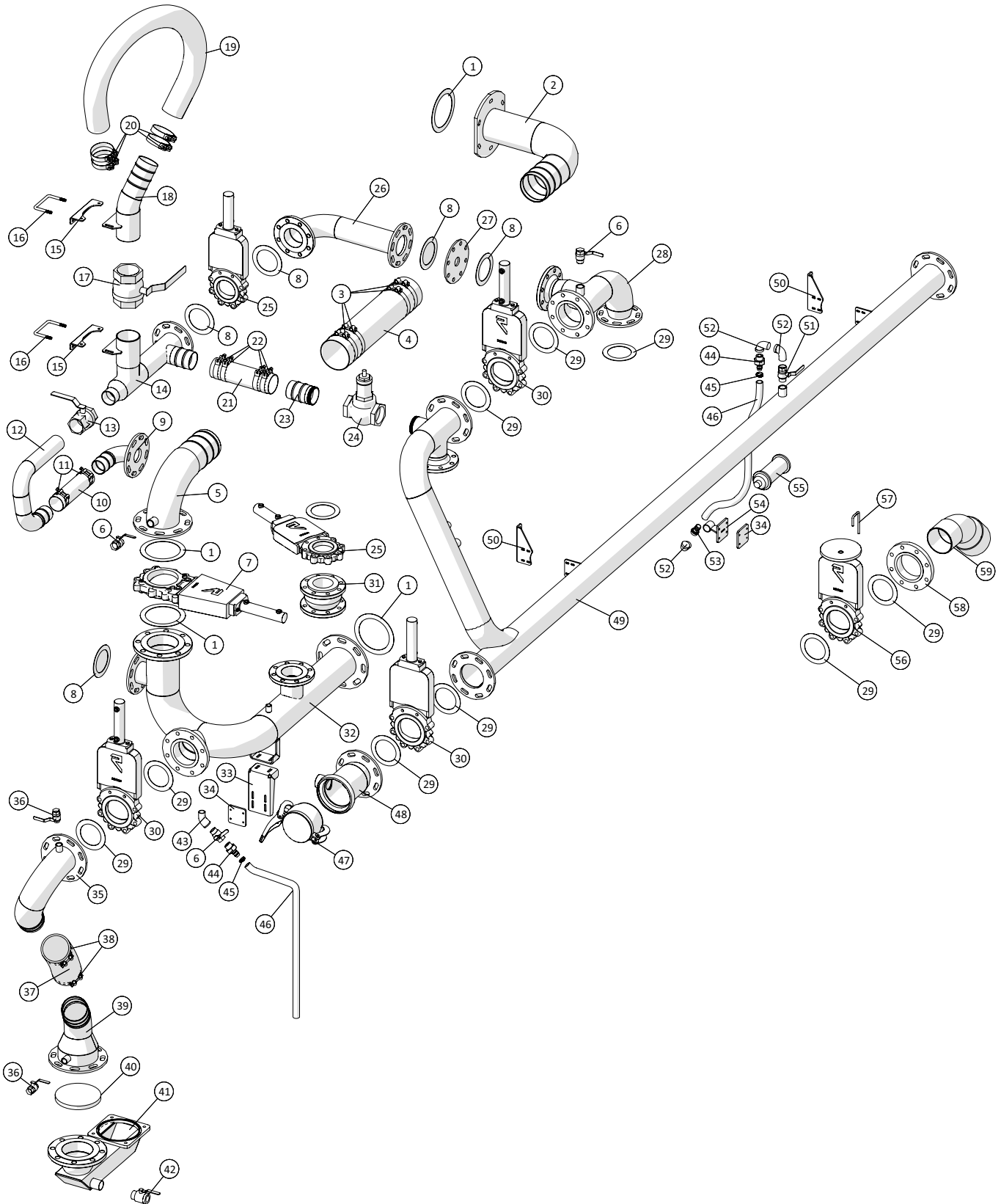
23-1

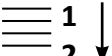
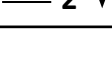
Pump Unit APV250  
Model year 2018 -

1 ↓  
2 ↓

A-Z

### Pipe system

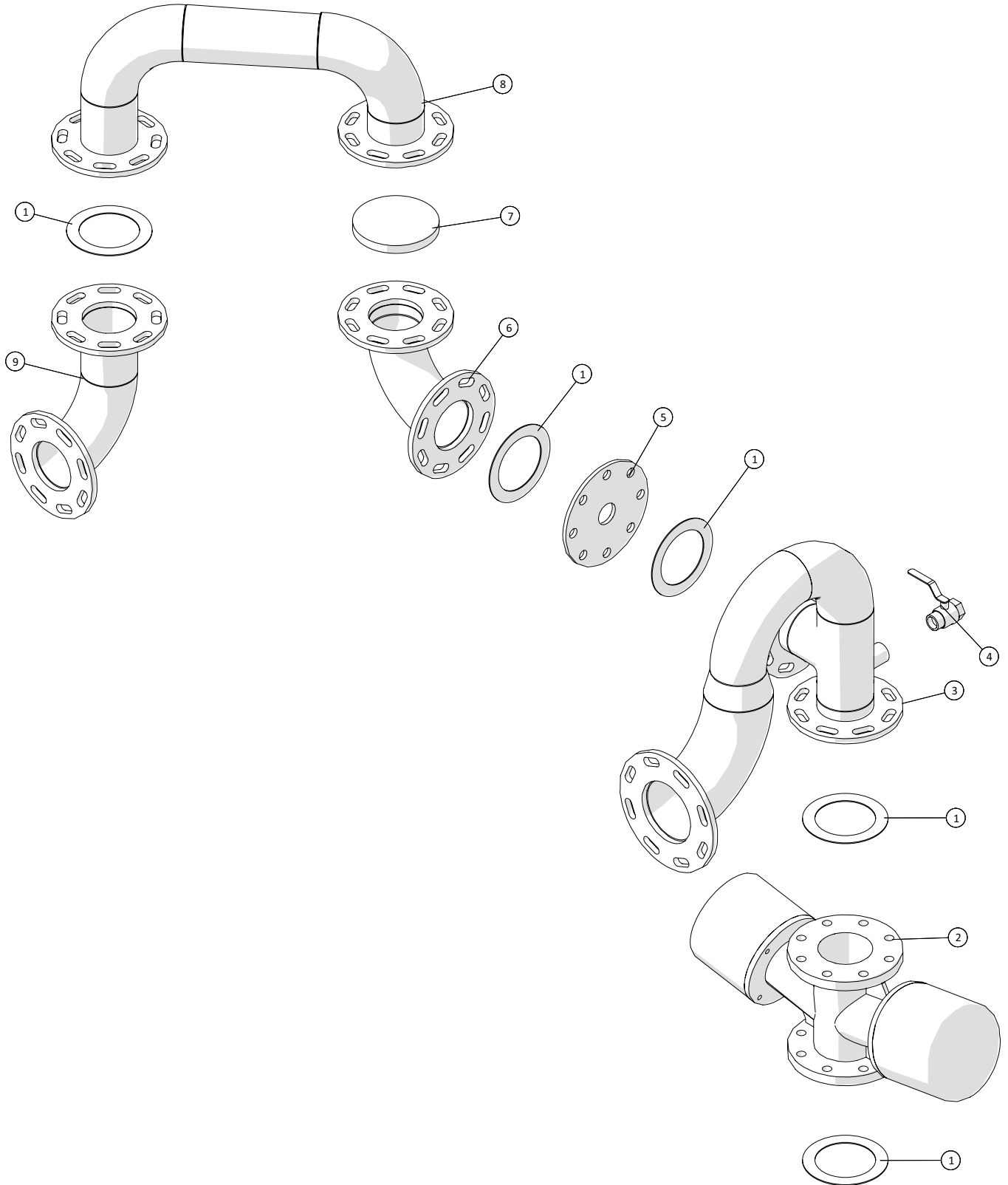


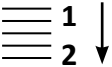
 1 ↓  2 ↓	<b>A-Z</b>	<b>Pump Unit APV250</b> Model year 2018 -	Date: 01-2019
			24-1

Pipe system				
Pos. no.	Item no.	Pcs.	Description	Note
42	13100070	1	Ball valve female/male 1½"	
43	000121408	1	Elbow 45° No.121 galv. 1"	
44	1044629425	2	Plastic connector w/BSP 1"x25mm	
45	16200666	2	Clamp 20-32mm	
46	16080240	1m	Clear reinforced hose 1" (25.0x32,0)	
47	14050125	1	BAUER HK end ball 159mm	
48	250180194	1	Pipe for ball	
49	250180186	1	Outlet pipe large	
50	250180158	2	Bracket for outlet pipe	
51	13100098	1	Ball valve female 1"	
52	000092408	3	Elbow 90° No.92 galv. 1"	
53	14250035	1	Hose connector brass w/BSP 1"	
54	250180667	1	Bracket for silencer	
55	25017552	1	Silencer	
56	20144130	1	Ramus gate valve w/handwheel DN125	
57	250180750	1	Locking pin for Ramus handwheel	
58	13250242	1	Threaded flange DS581 galv. DN125x5"	
59	25017470	1	Elbow 45° 5"x6" BSP	



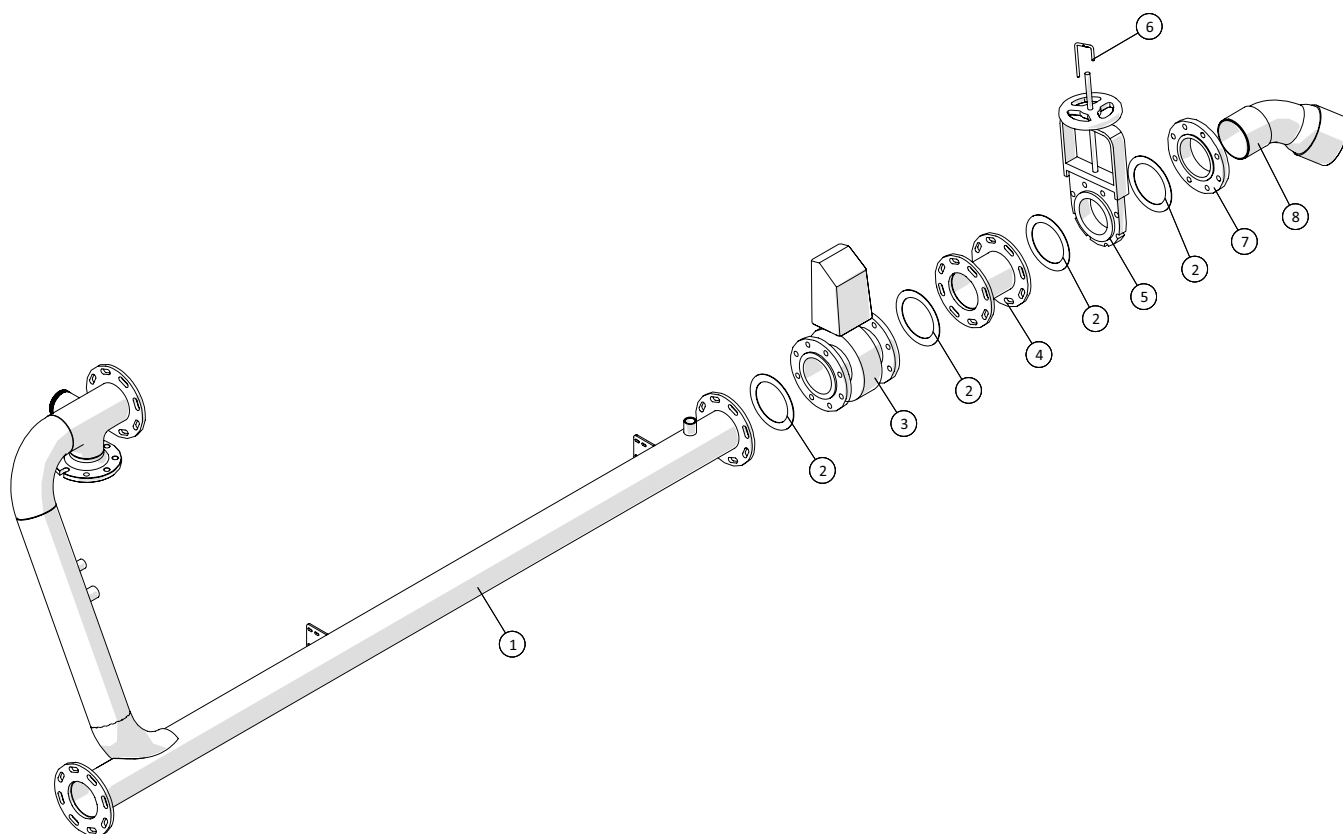
Pipe system - Anti Cavitation

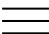
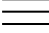


 <b>A-Z</b>	<b>Pump Unit APV250</b> Model year 2018 -	Date: 01-2019
		26

Pipe system - Anti Cavitation				
Pos. no.	Item no.	Pcs.	Description	Note
1	13250545	5	Flange gasket NW100 162x115mm	
2	23093441000	1	Anti Cavitation Valve	
3	250180752	1	Outlet pipe for pressure control valve	
4	13100068	1	Ball valve female/male 1"	
5	250179745	1	Flange Ø60 hole 4"	
6	250180761	1	Bypass pipe 1	
7	13692100	1	Check valve INOX DN100	
8	250180762	1	Bypass pipe 2	
9	250180815	1	Bypass pipe 3	

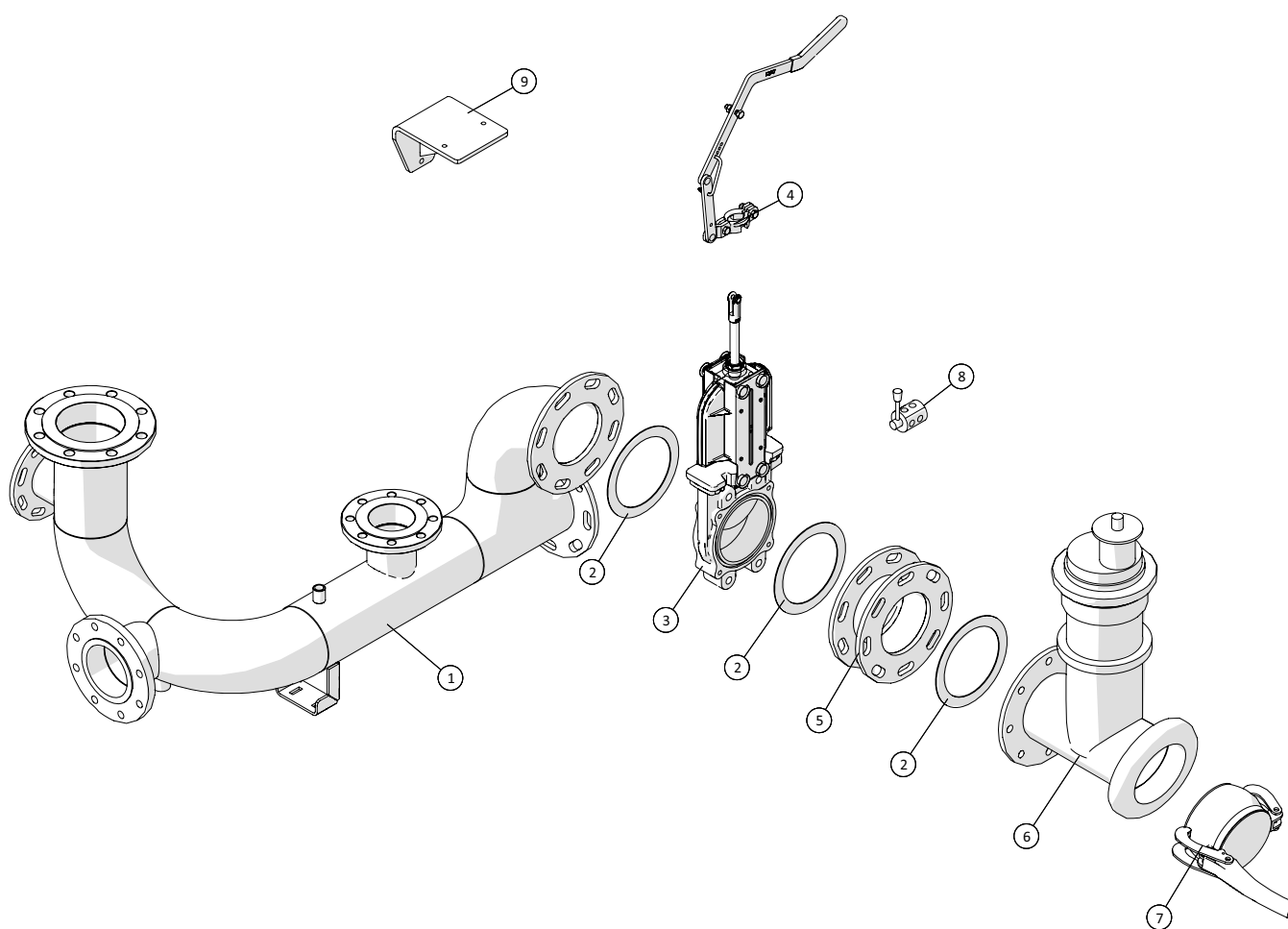
**Pipe system - Flow Meter**

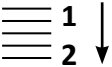


 1 ↓  2 ↓	<b>A-Z</b>	<b>Pump Unit APV250</b> Model year 2018 -	Date: 01-2019
			28

Pipe system - Flow Meter				
Pos. no.	Item no.	Pcs.	Description	Note
1	250180960	1	Outlet pipe	
2	13250550	4	Flange gasket NW125 192x141mm	
3	2514850374	1	Flow Meter 24V MAG3100W DN125/5"	
	2513023-1		MAG500 Signal converter MK1 24Volt	
4	250180962	1	Outlet pipe	
5	20144130	1	Ramus gate valve w/handwheel DN125	
6	250180750	1	Locking pin for Ramus handwheel	
7	13250242	1	Threaded flange DS581 galv. DN125x5"	
8	25017470	1	Elbow 45° 5"x6" BSP	

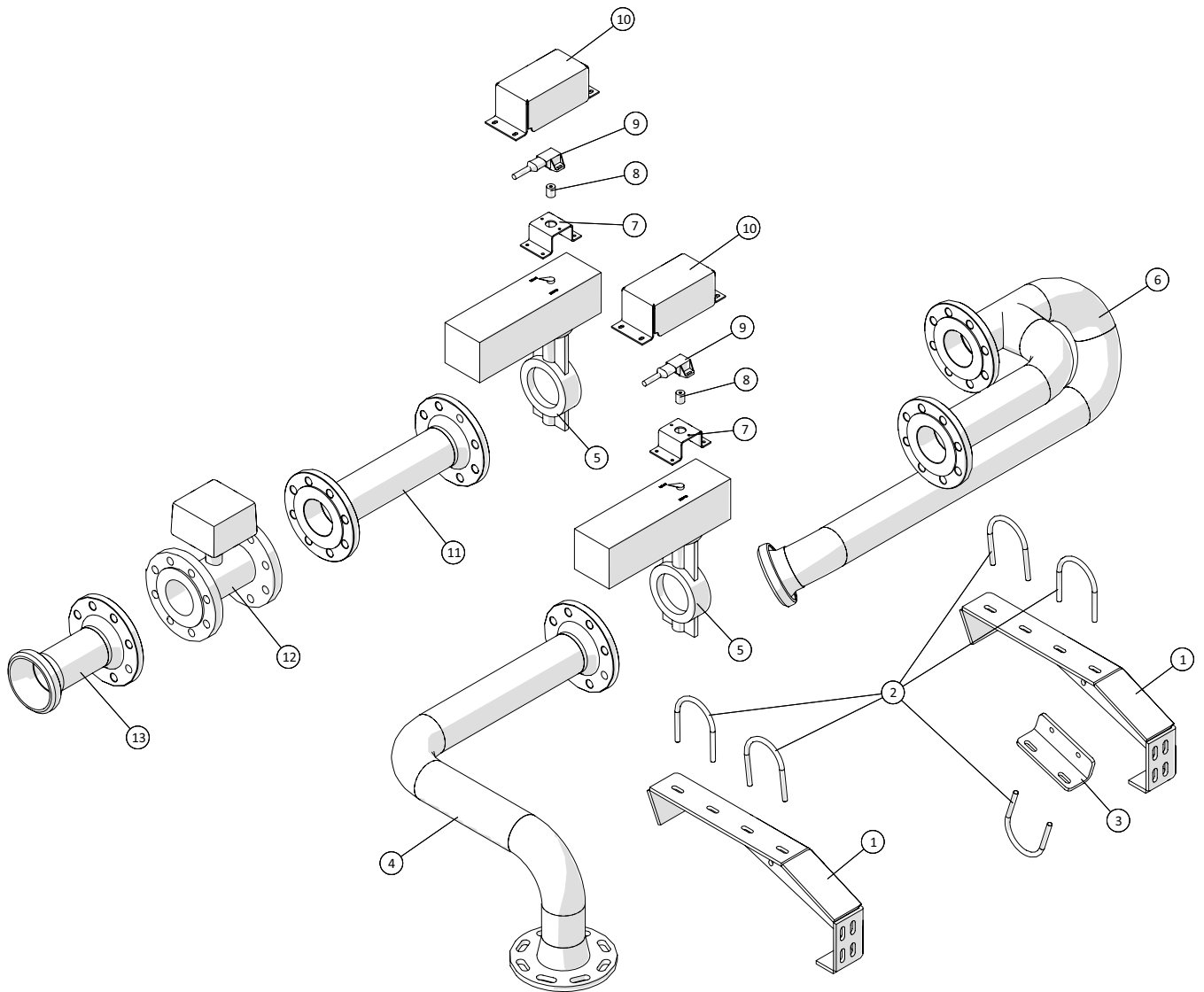
**Pipe system - Self-priming Unit**

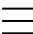
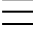


 <b>A-Z</b>	<b>Pump Unit APV250</b> Model year 2018 -	Date: 01-2019
		30

Pipe system - Self-priming Unit				
Pos. no.	Item no.	Pcs.	Description	Note
1	250180763	1	Inlet pipe	
2	13250555	3	Flange gasket NW150 218x169mm	
3	20145154	1	RIV gate-valve w/spindle DN150 6"	
4	20140299	1	Lever with opening stop, RIV model 4/5/6"	
5	250180767	1	Joint by the self-priming unit	
6	23093431610	1	BAUER Self-priming unit	
7	14050125	1	BAUER HK end ball 159mm	
8	25017644	1	6-ways diverter valve 3/8"	
9	250181054	1	Bracket for BAUER Vacuum pump	

Pipe system - Water input

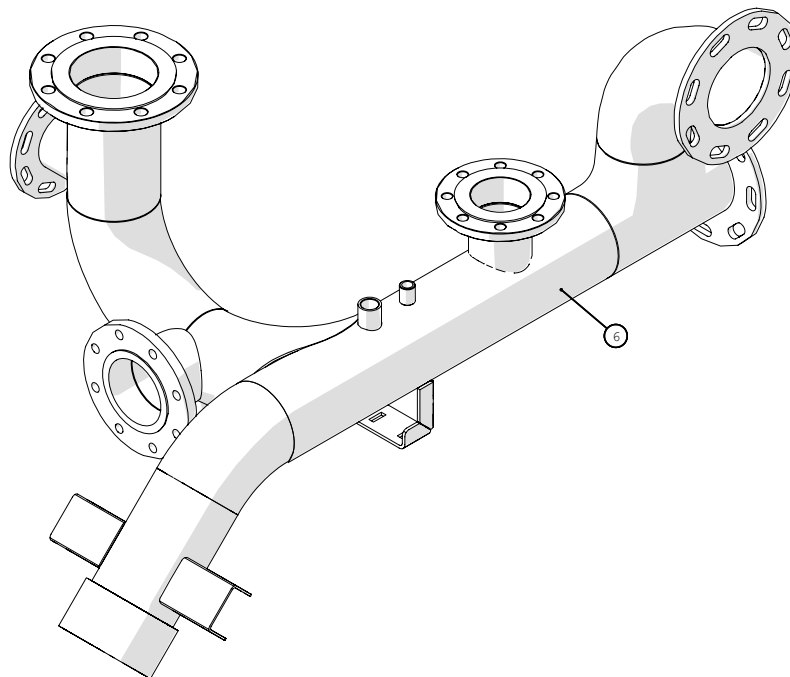
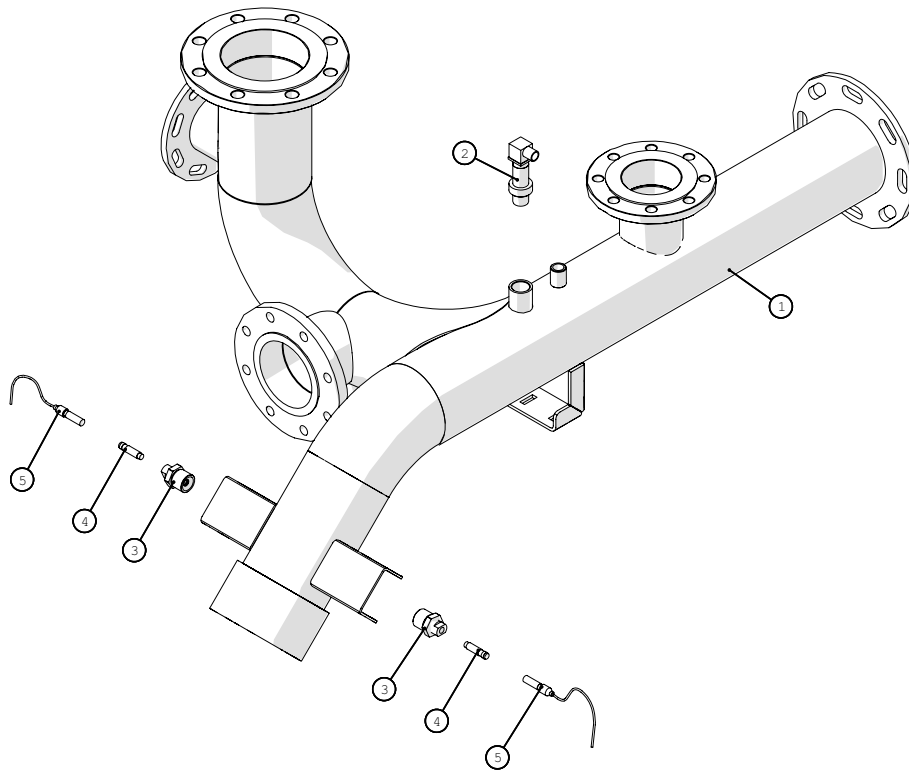


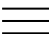
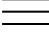
 1 ↓  2 ↓	<b>A-Z</b>	<b>Pump Unit APV250</b> Model year 2018 -	Date: 01-2019
			32

Pipe system - Water input				
Pos. no.	Item no.	Pcs.	Description	Note
1	250180973	2	Bracket	
2	10381092	5	Pipe U-clamp Ø92x120	
3	250180975	1	Bracket	
4	250180976	1	Outlet pipe from the water tank	
5	15019009	2	DN80/DA80 engine valve for Program Rain w/ DN80 butterfly + motor actuator	
6	250180977	1	Inlet pipe for water	
7	250180974	2	Bracket	
8	25017561	2	Sensor	
9	25017560	2	Coupling E6C	
10	250180981	2	Cover for angle	
11	250180979	1	Connection pipes for the water	
12	2514850375	1	Flowmeter MAG3100 24V DN80 / 3"	
	25130203-1	1	MAG5000 Signal converter MK1 24Volt	
13	250180978	1	Outlet pipe for turbo filler	



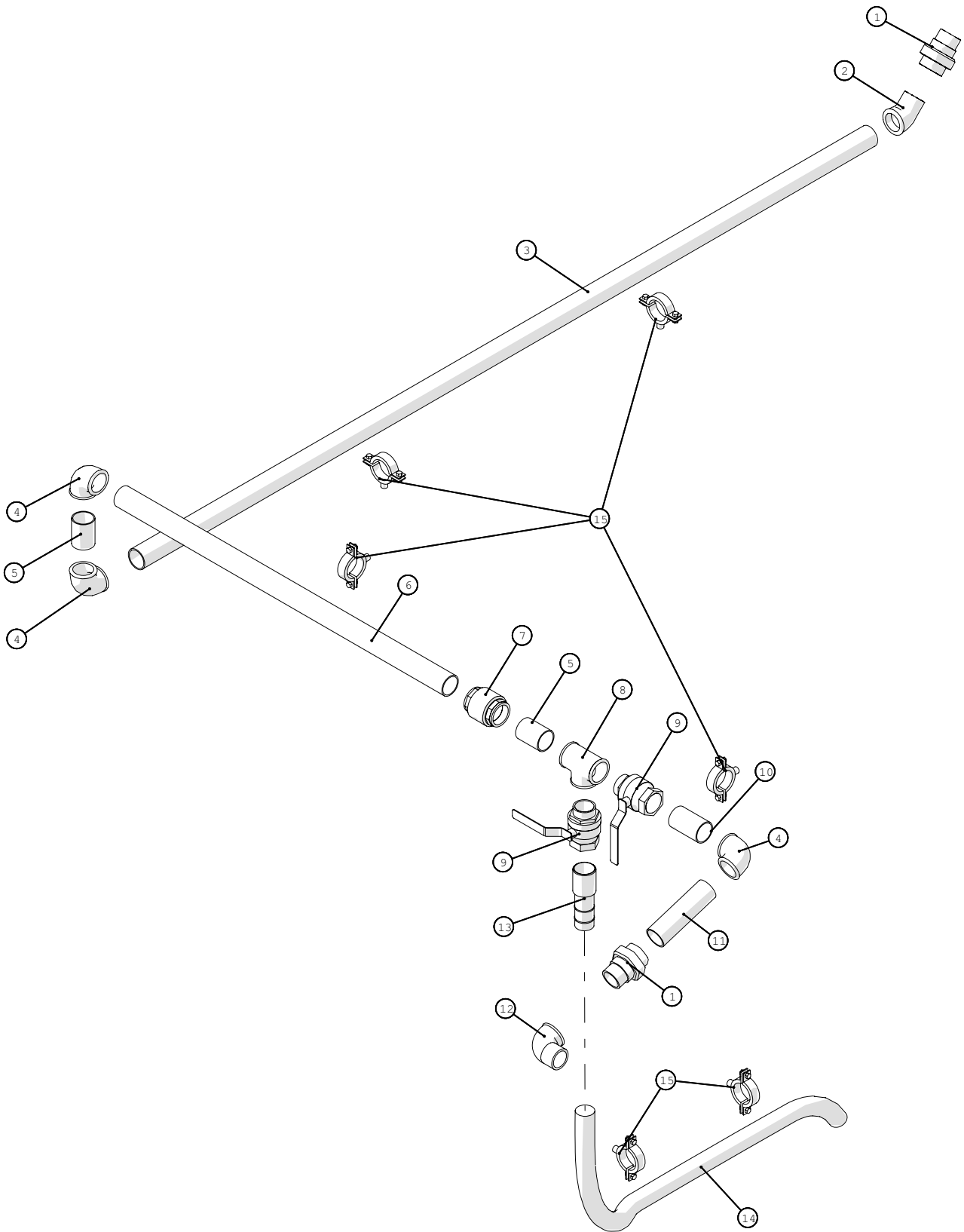
Pipe system - Booster

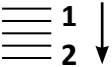


 1 ↓  2 ↓	<b>A-Z</b>	<b>Pump Unit APV250</b> Model year 2018 -	Date: 01-2019
			34

Pipe system - Booster				
Pos. no.	Item no.	Pcs.	Description	Note
1	250181060	1	Inlet pipes with sensor	
2	13180733	1	Pressure transmitter 0-25bar 1"	
3	250179992	2	Sensor Assembly	
4	25030013	2	Inductive sensor - digital	
5	25030011	2	Cable for sensor 3m	
6	250181051	1	Inlet pipes for vacuum with sensor	

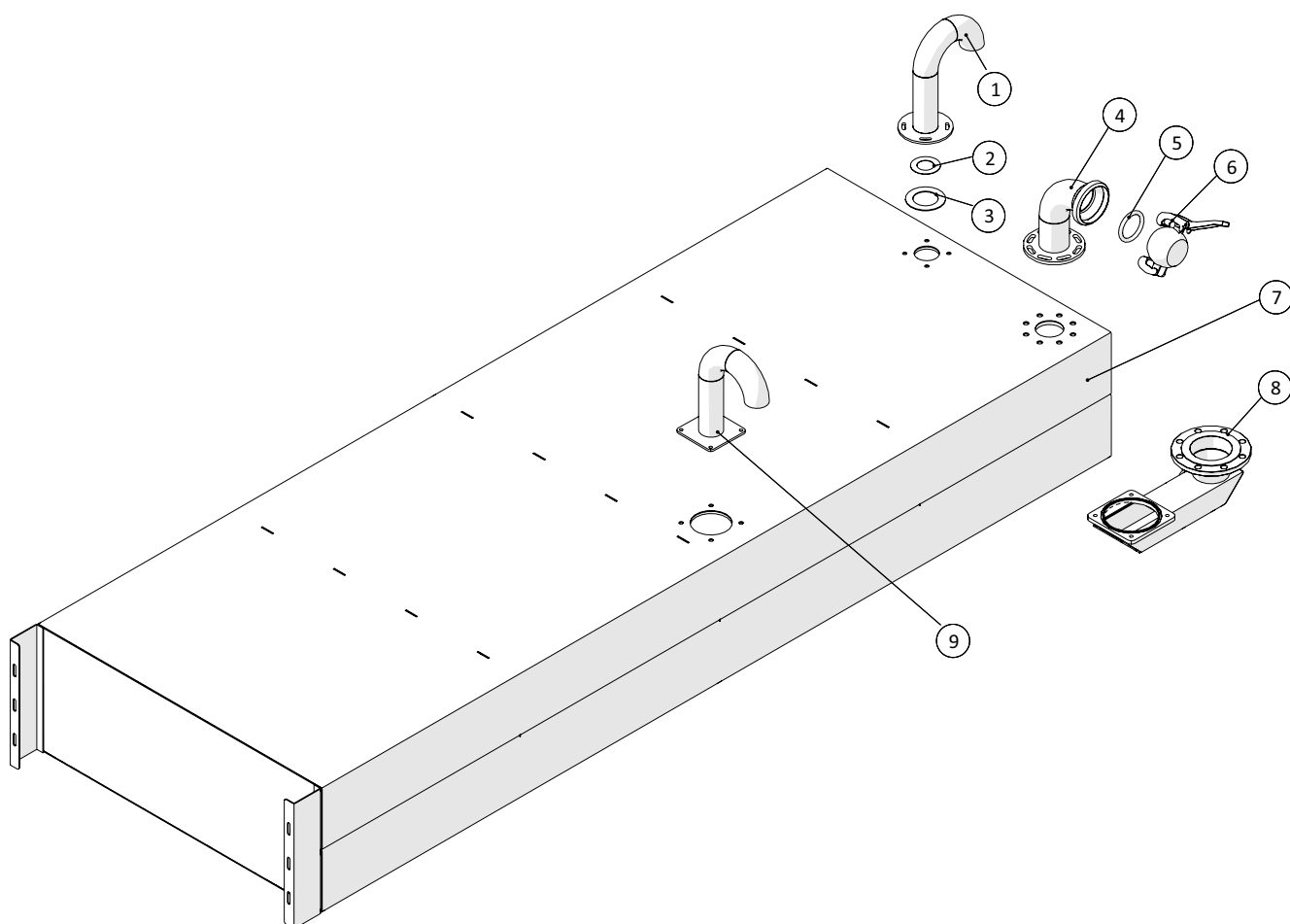
**Pipe system - Air**

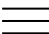
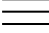


 1 ↓ 2 ↓	<b>A-Z</b>	<b>Pump Unit APV250</b> Model year 2018 -	Date: 01-2019
			36

Pipe system - Air				
Pos. no.	Item no.	Pcs.	Description	Note
1	000341412	2	Union No.341 galv. 2"	
2	000121412	1	Elbow 45° No.121 galvanized 2"	
3	250180506	1	Pipe 1 for air	
4	000090412	3	Elbow 90° No.90 galv. 2"	
5	012080412	2	Nipple galv. 2"x80mm	
6	250180509	1	Pipe 3 for air	
7	13031012	1	Valve EUROPA 2"	
8	000130412	1	Tee No.130 galv. 2"	
9	13100074	2	Ball valve female/male 2"	
10	012100412	1	Nipple galv. 2"x100mm	
11	250180507	1	Pipe 2 for air	
12	000092412	1	Elbow 90° No.92 galv. 2"	
13	14380045	1	Hose pipe w/BSP 2"x50mm	
14	16010096	1,5m	Clear hose w/steel coil 51mm	
15	10380494	6	Clamp galv. 58-64mm	

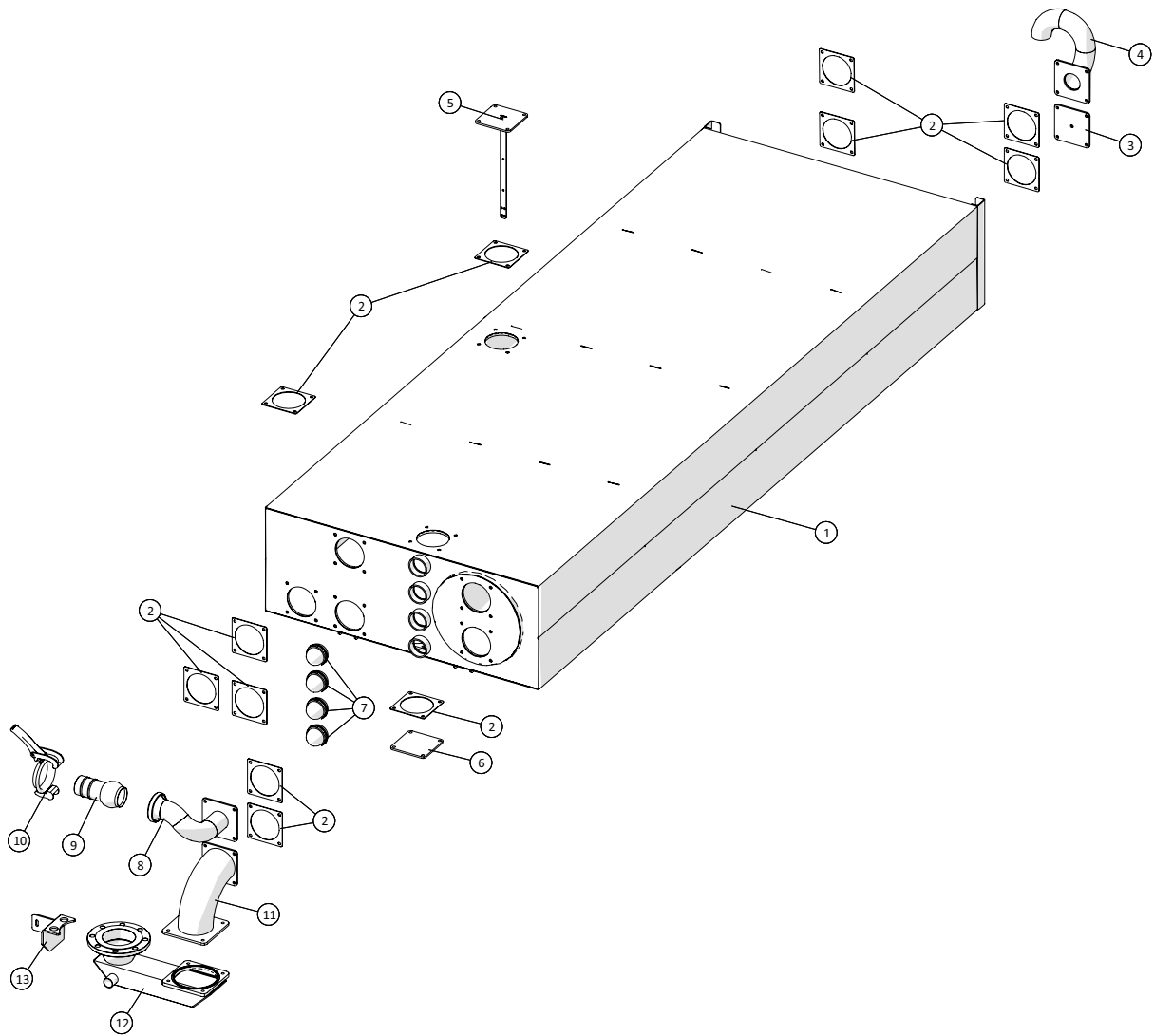
**Water tank**

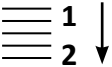


 1 ↓  2 ↓	<b>A-Z</b>	<b>Pump Unit APV250</b> Model year 2018 -	Date: 01-2019
			38

Water tank				
Pos. no.	Item no.	Pcs.	Description	Note
1	250180136	1	Breather	
2	13250530	1	Flange gasket NW50	
3	13250541	1	Fiber Seal NW80 142x90mm (3mm)	
4	250180284	1	Inlet pipe for water tank	
5	14050043	1	BAUER HK Rubber sealing ring S4	
6	14050123	1	BAUER HK End ball 108mm	
7	250181350	1	Water Tank	
8	250180376	1	Outlet	
9	250181693	1	Breather	

**Water Tank - with buffer tank**

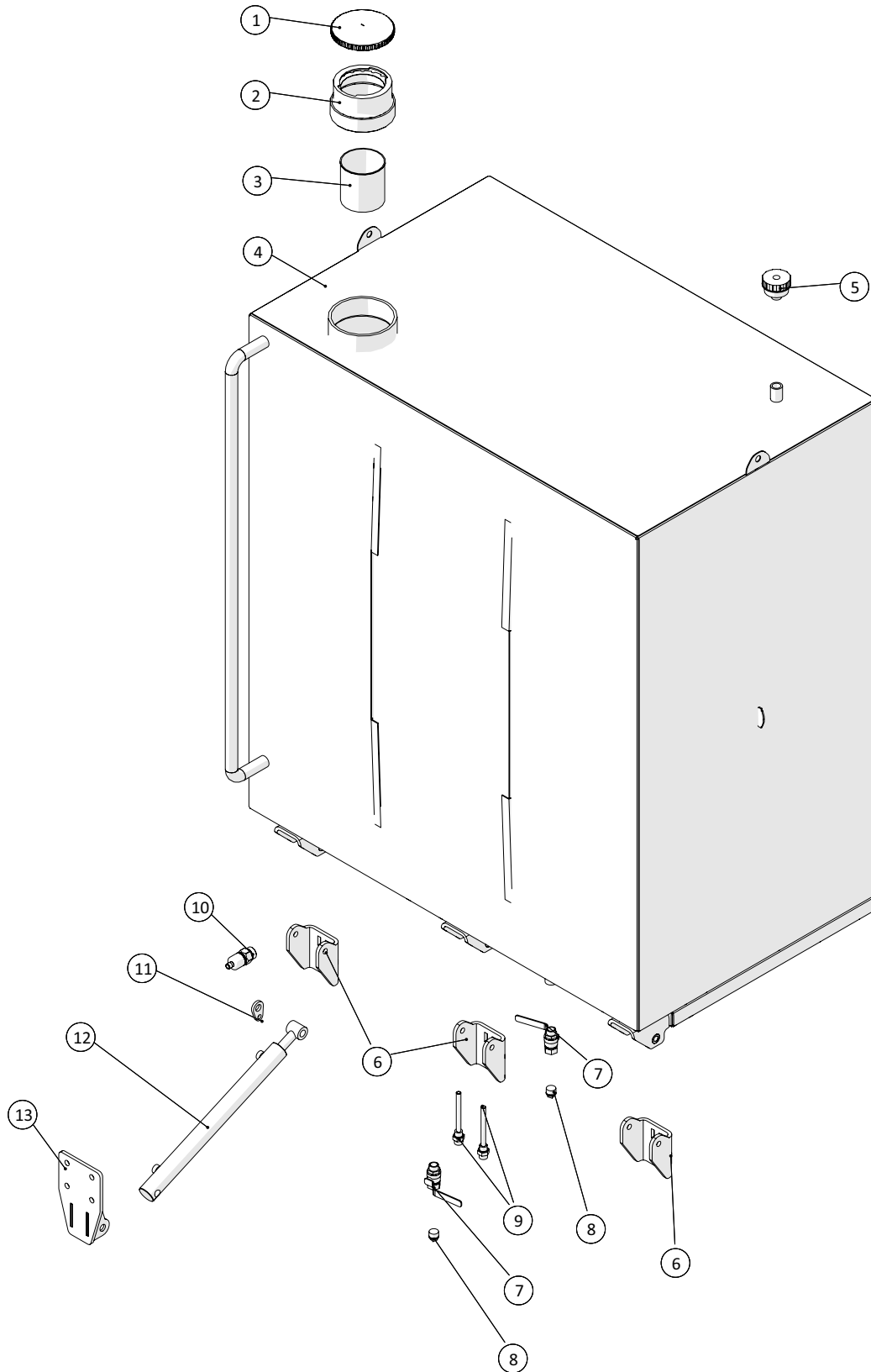


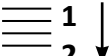
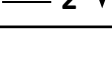
 1 ↓ 2 ↓	<b>A-Z</b>	<b>Pump Unit APV250</b> Model year 2018 -	Date: 01-2019
			40

Water Tank - with buffer tank				
Pos. no.	Item no.	Pcs.	Description	Note
1	250181160	1	Stainless steel water tank with buffer tank for slurry	
2	20140715	12	MZ rubber seal 4", 5", 6"	
3	250181313	1	MZ flange for level sensor cable	
4	250181192	1	Ventilation for water tank	
5	250181310	1	Bracket for level sensor in the slurry tank	
6	20140725	1	MZ blankin flange 4", 5", 6"	
7	210434563540	4	Inspection glass	
8	250181193	1	Inlet	
9	14050371-01	1	Hose nipple with ball coupling	
10	14050012	1	Lever closure ring	
11	250181190	1	Elbow	
12	250180376	1	Outlet	
13	250181316	1	Support bracket	



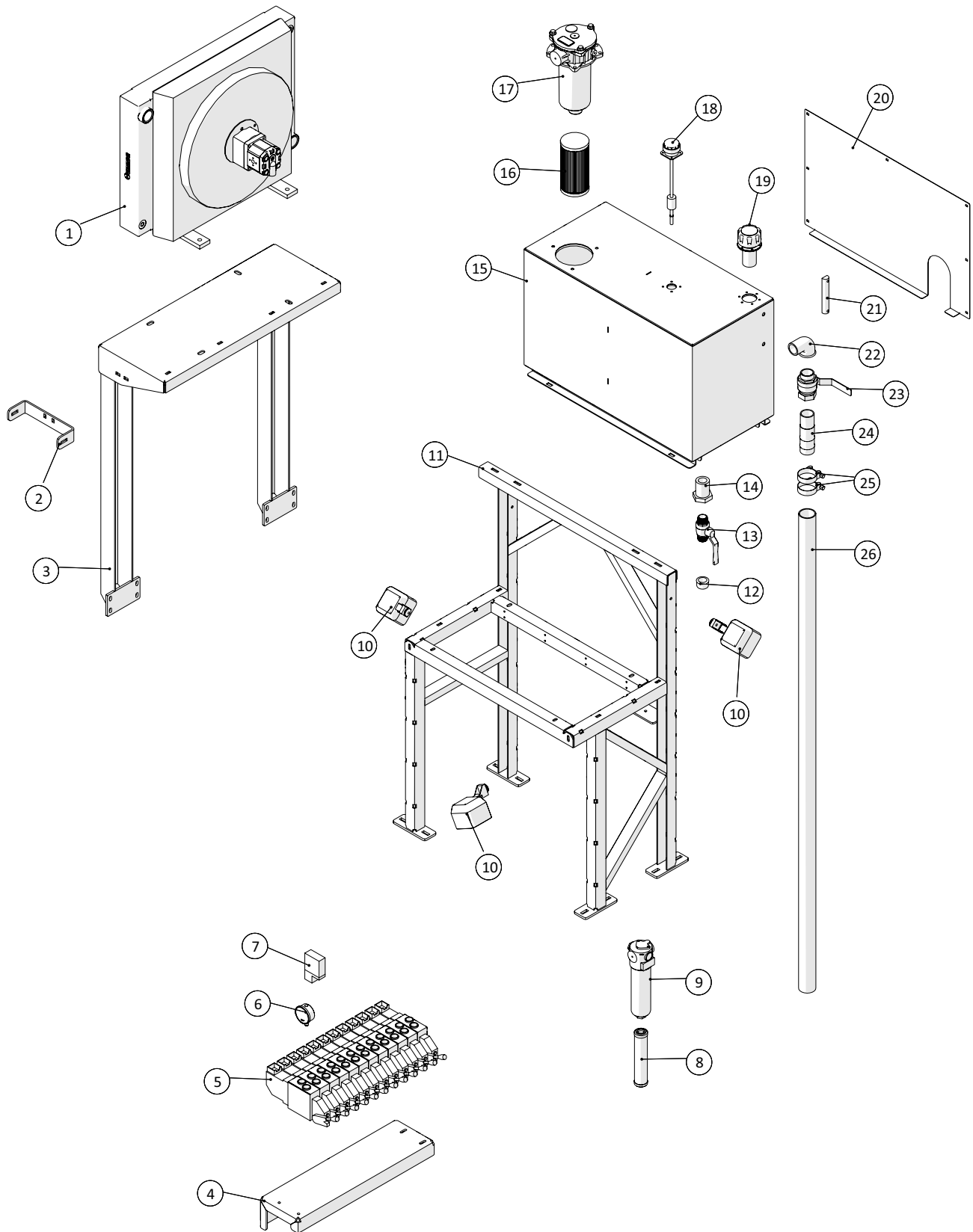
Diesel tank

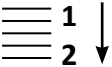


 1 ↓  2 ↓	<b>A-Z</b>	<b>Pump Unit APV250</b> Model year 2018 -	Date: 01-2019
			42

Diesel tank				
Pos. no.	Item no.	Pcs.	Description	Note
1	25017651	1	Fuel cap Ø135	
2	250180733	1	Tank Flange for strainer	
3	250180732	1	Strainer for 100mm collar	
4	250181130	1	Diesel tank stainless steel	
5	2514850084	1	Air filter for diesel tank ½"	
6	250180129	3	Bracket for tank	
7	13100064	2	Ball valve female/male ½"	
8	000291404	2	Plug No.291 galv. ½"	
9	250180816	2	Diesel nozzle inlet/return	
10	25017561	1	Sensor PA3028	
11	250180679	1	Eye for safety wire	
12	250180132	1	Cylinder	
13	250182175	1	Cylinder bracket	

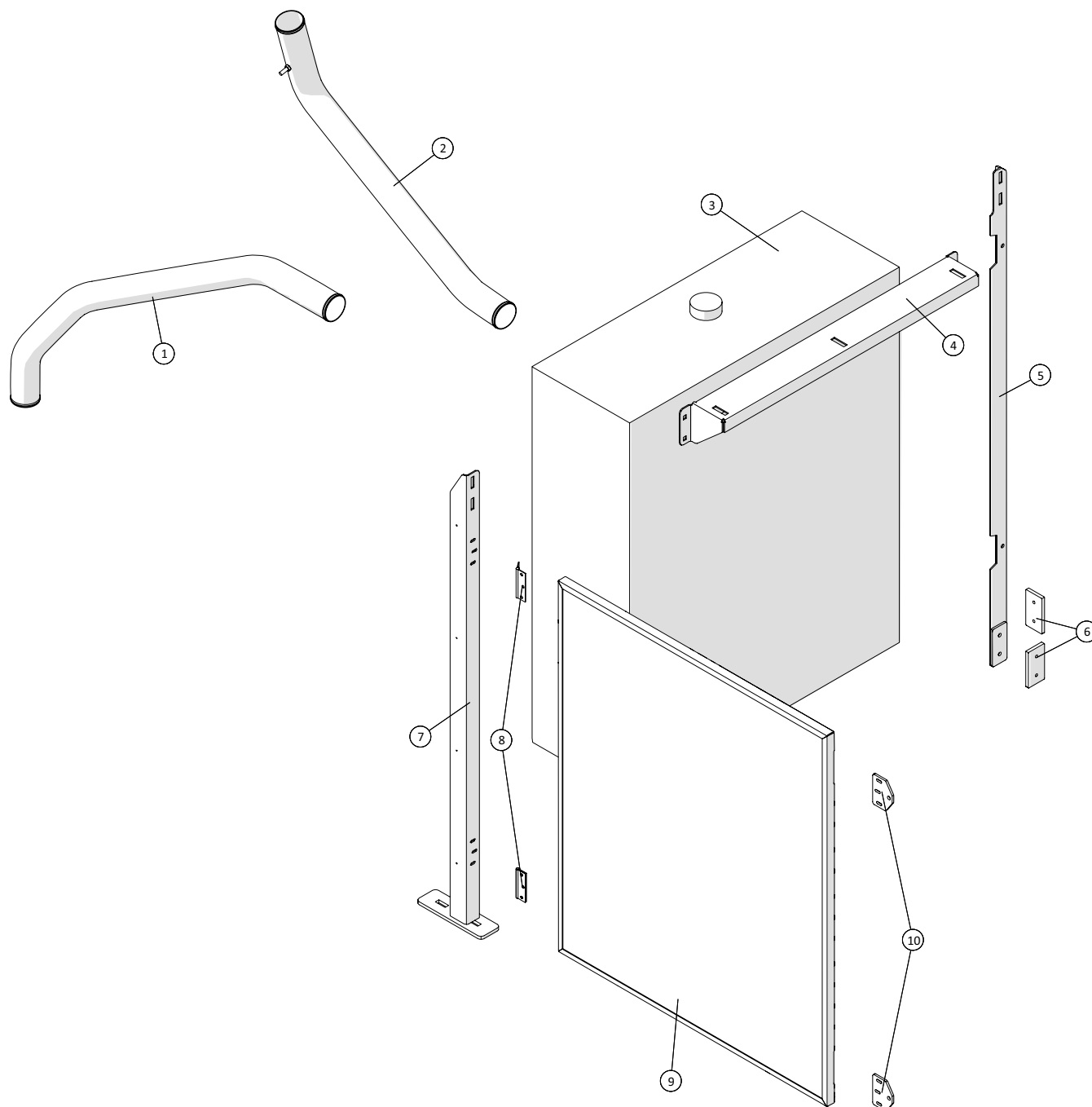
Hydraulik

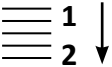


 1 ↓ 2 ↓	<b>A-Z</b>	<b>Pump Unit APV250</b> Model year 2018 -	Date: 01-2019
			44

Hydraulik				
Pos. no.	Item no.	Pcs.	Description	Note
1	250180399	1	Radiator HPA36 2PAS	
2	250181290	1	Bracket	
3	250181293	1	Bracket for oil cooler	
4	250180200	1	Bracket for hydraulic control	
5	136311074181	1	12 slice PVG block	
6	1362SPG063250SB	1	Pressure gauge 0-250bar w/glycerin ¼"	
7	1362XMLA300D1S11	1	Pressure switch 20-300 BAR wo/scale	
8	25017180-01	1	Return filter element	
9	25017180	1	High pressure filter 90LPM ¾" A10MY	
10	2514861061	3	Work lamp	
11	250181248	1	Bracket for hydraulic tank	
12	000300408	1	Endcap	
13	13100028	1	Ball valve male/male 1"	
14	031741165	1	Stainless sleeve nut	
15	250181254	1	Hydraulic tank	
16	25017005	1	Filter element	
17	25017190	1	Return filter 185LPM 1¼"	
18	2514851239	1	Fuel gauge	
19	21201065	1	Lid w/10my filter	
20	250181257	1	Heat shield for hydraulic tank	
21	25017180-01	1	Return filter element	
22	000092111	1	Elbow 90° No.92	
23	13100072	1	Ball valve female/male 1½"	
24	2501790248	1	Suction nozzle for hydraulic tank	
25	16200716	2	Clamp 60-63mm	
26	2112811-32	1	Rubber hose NBR	

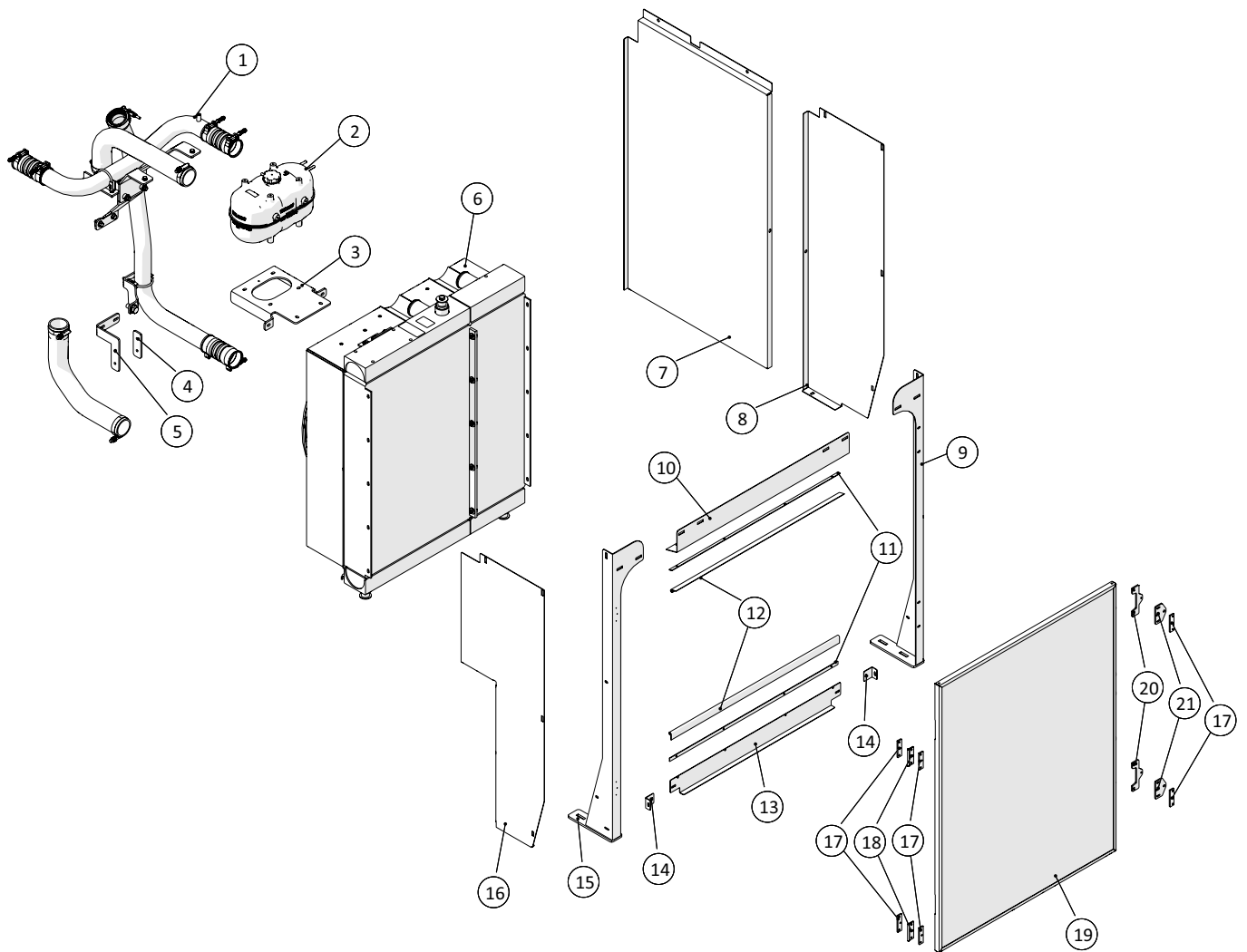
Radiator - Tier 3A

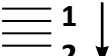


 <b>A-Z</b>	<b>Pump Unit APV250</b> Model year 2018 -	Date: 01-2019
		46

<b>Radiator - Tier 3A</b>				
<b>Pos. no.</b>	<b>Item no.</b>	<b>Pcs.</b>	<b>Description</b>	<b>Note</b>
1	250180774	1	Outlet pipe from intercooler	
2	250180824	1	Inlet pipe for intercooler	
3	25016W031-1		Radiator HPA36 2PAS	
4	250180253	1	Front crossbar for roof suspension	
5	250180803	1	Bracket 1	
6	250180215	2	Bracket with thread. holes	
7	250180805	1	Bracket 2	
8	1513820114	2	Hinge	
9	250180807	1	Framework for grille	
10	250180809	2	Sealing plate for radiator grille	
	25016W031	1	Cooling Package	Incl. Pos. no. 1, 2 and 3

Radiator - Tier 3B

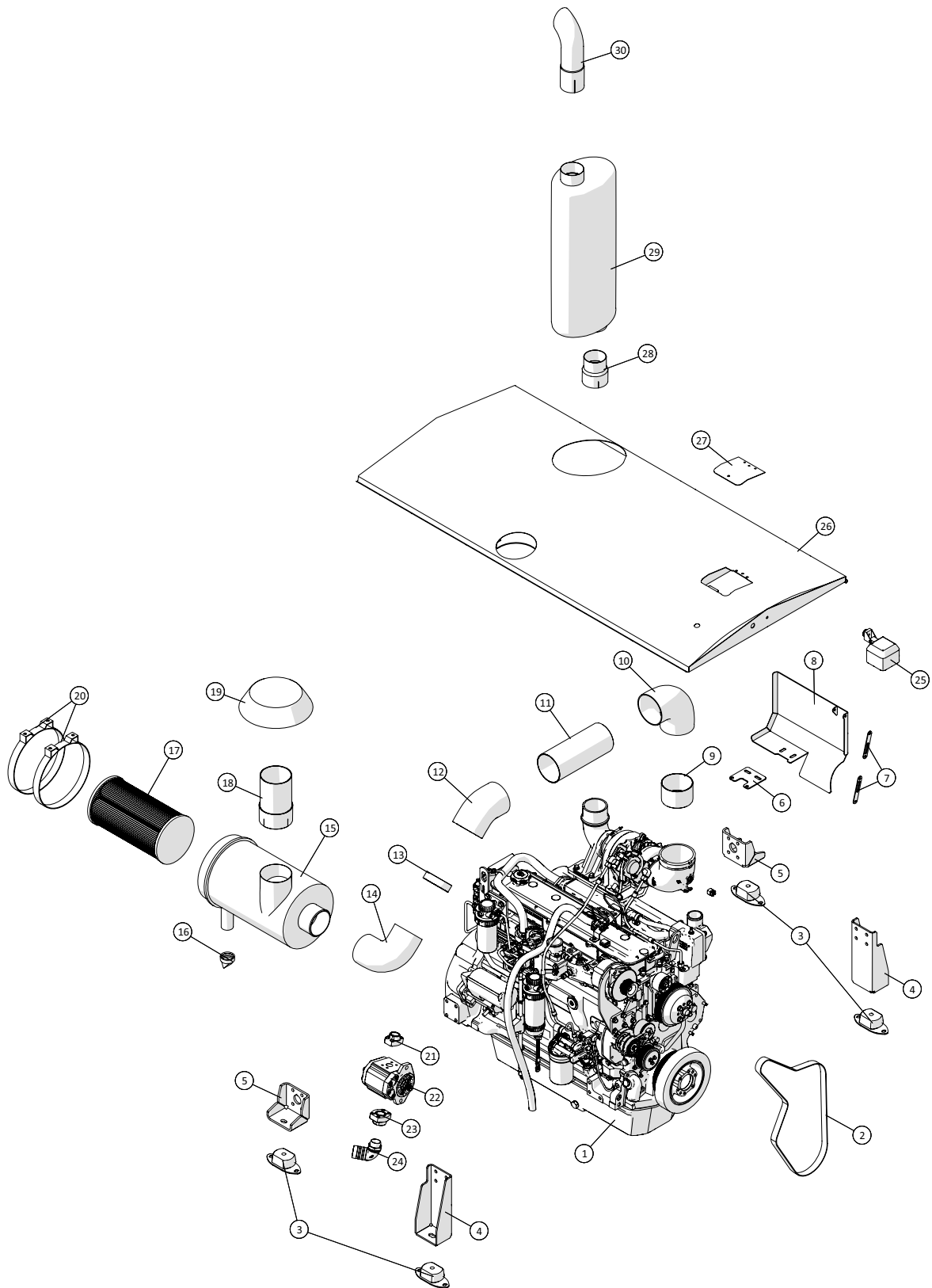


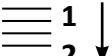
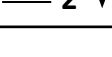
 1 ↓ 2 ↓	<b>A-Z</b>	<b>Pump Unit APV250</b> Model year 2018 -	Date: 01-2019
			48

Radiator - Tier 3B				
Pos. no.	Item no.	Pcs.	Description	Note
1	2501RE544024	1	Pipes	
2	2501AT381935	1	Container	
3	2501R533830	1	Bracket	
4	250181224	1	Bracket for pipe for the turbo	
5	250181222	1	Bracket for pipe for the turbo	
6	2501RE542759	1	Radiator	
7	250181347	1	Side cover 1	
8	250181395	1	Side cover 2	
9	250181235	1	Support backet	
10	250181346	1	Cover	
11	250181397	2	Mounting plate	
12	250181394	2	Rubber seal	
13	250181348	1	Cover 2	
14	250181398	2	Angle bracket	
15	250181227	1	Support backet	
16	250181396	1	Side cover 3	
17	250181006	6	Monting plate for hinge	
18	1513820114	2	Hinge	
19	250181238	1	Grille	
20	250181242	2	Fastening plate	
21	250180809	2	Sealing plate for radiator grille	



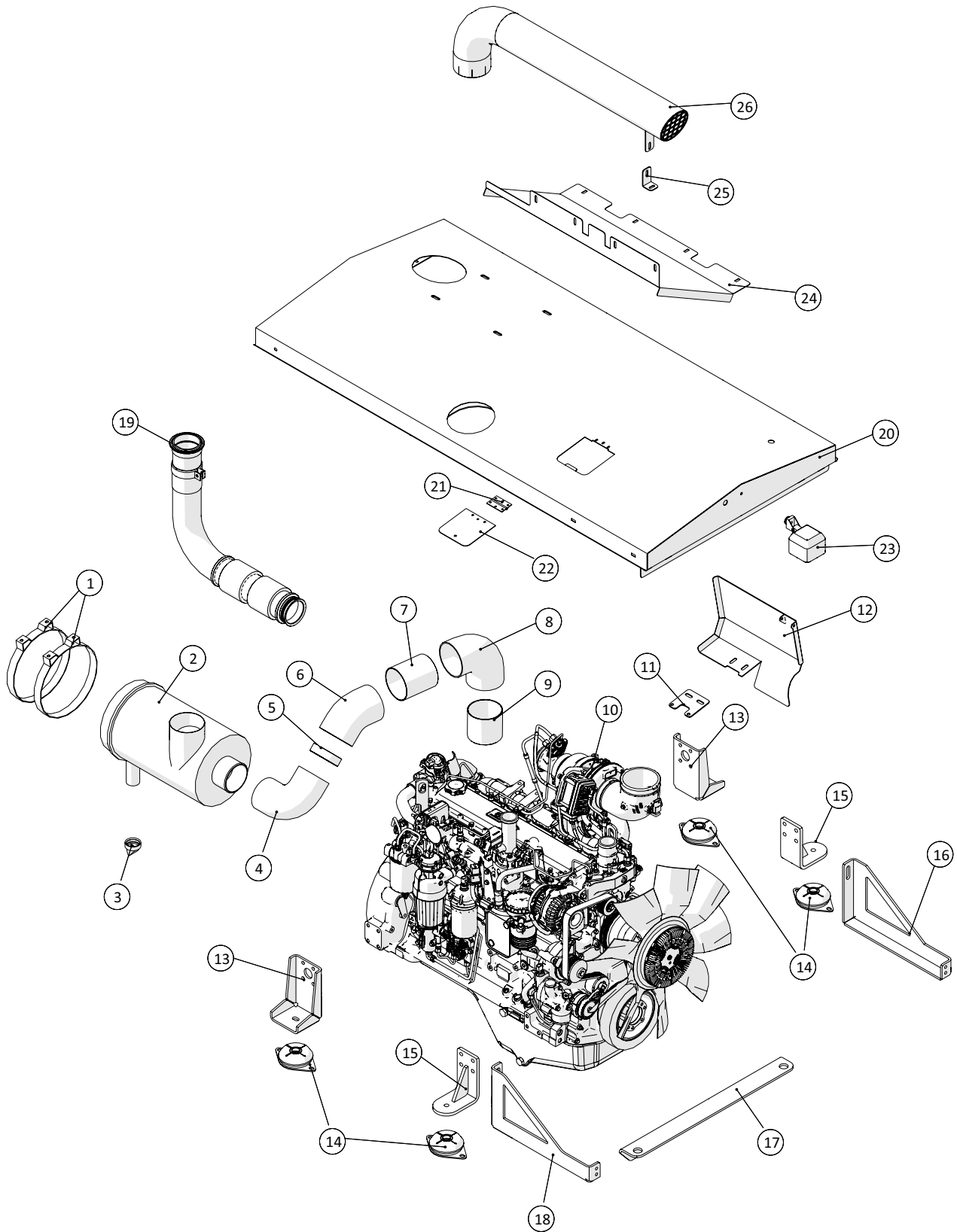
Engine - Tier 3A

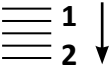


 1 ↓  2 ↓	<b>A-Z</b>	<b>Pump Unit APV250</b> Model year 2018 -	Date: 01-2019
			50

Engine - Tier 3A				
Pos. no.	Item no.	Pcs.	Description	Note
1	25010060-1	1	Engine	
2	2501R135592	1	Fan belt	
3	25017055	4	Vibration absorber SIM200B-60 shore	
4	250180755	2	Engine suspension	
5	250180044	2	Engine suspension	
6	250180402	1	Bracket for heat shield	
7	250180403	2	Mounting bracket for heat shield	
8	250180685	1	Heat Shield	
9	250180406	1	Pipe 2 for intake	
10	2514850422	1	Elbow for inlet 90° 127mm	
11	250180405	1	Pipe 1 for intake	
12	2514850421	1	Elbow for inlet 45°	
13	250180407	1	Pipe 3 for intake	
14	250180394	1	Rubber elbow 90° 114mm	
15		1	Air Filter	
16	2514853840	1	Air filter vacuator valve	
17	2501G110382	1	Air Filter	
18	250180594	1	Pipe for intake	
19	250180393	1	Rain Cap 127mm	
20	2501P004079	2	Clamp	
21	2514851507	1	Flange SAE 3000PSI 1"	
22	1363111250150A	1	Gear pump SNP 044 SAE	
23	1363YFA03728U	1	Flange 210BAR 3000PSI 1¼"	
24	9034616	1	Elbow 90° 1¼" union X 2" hose connector	
25	2514861061	1	Work lamp	
26	250180247	1	Roof	
27	250180417	1	Lid for coolant	
28	250180420	1	Transition nozzle for exhaust	
29	250180400	1	Exhaust	
30	25017374	1	Outlet pipe	

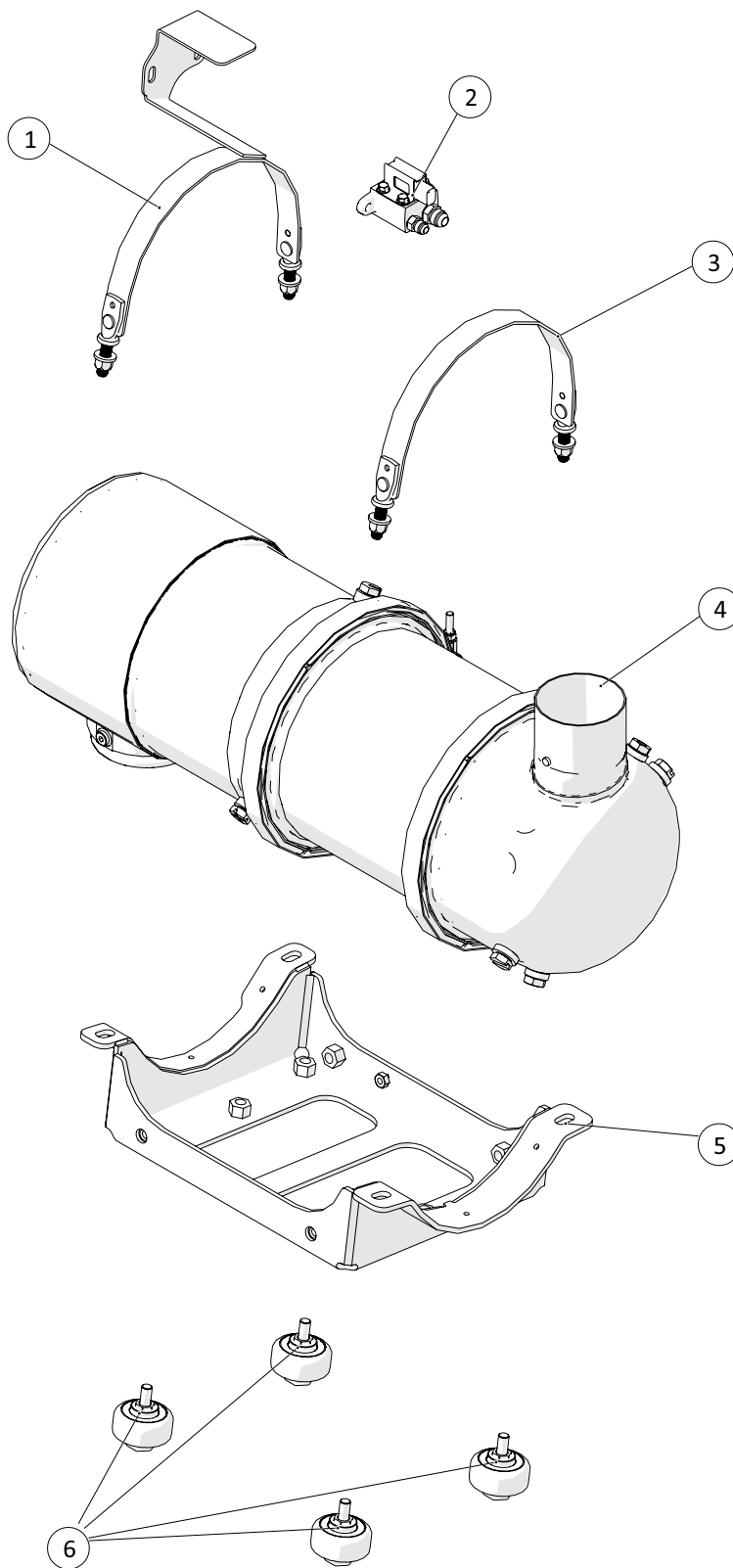
Engine - Tier 3B

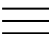
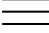


 1 ↓ 2 ↓	<b>A-Z</b>	<b>Pump Unit APV250</b> Model year 2018 -	Date: 01-2019
			52

Engine - Tier 3B				
Pos. no.	Item no.	Pcs.	Description	Note
1	2501P004079	2	Bracket for air filter	
2	2501G110382-1	1	Air filter	
3	2514853840	1	Air filter vacuator valve	
4	250180394	1	Rubber elbow 90° 114mm	
5	250180407	1	Pipe 3 for intake	
6	2514850421	1	Elbow for inlet 45°	
7	250181245	1	Pipe 1 for intake	
8	2514850422	1	Elbow for inlet 90° 127mm	
9	250181223	1	Pipe 2 for intake	
10	25010053	1	Engine	
11	250180402	1	Bracket for heat shield	
12	250180685	1	Heat Shield	
13	250181565	2	Engine suspension in back	
14	2514850199	4	Engine absorber	
15	250181566	2	Engine suspension	
16	251476804160	1	Suspension left side	
17	251476804159	1	Angle bracket	
18	251476804158	1	Suspension	
19	250181260	1	Exhaust	
20	250181230	1	Roof	
21	1513820114	1	Hinge	
22	250181278	1	Lid for antifreeze	
23	2514861061	1	Work lamp	
24	250181272	1	Cover	
25	250181402	1	Bracket for intake	
26	250181345	1	Intake for Tier 3B	

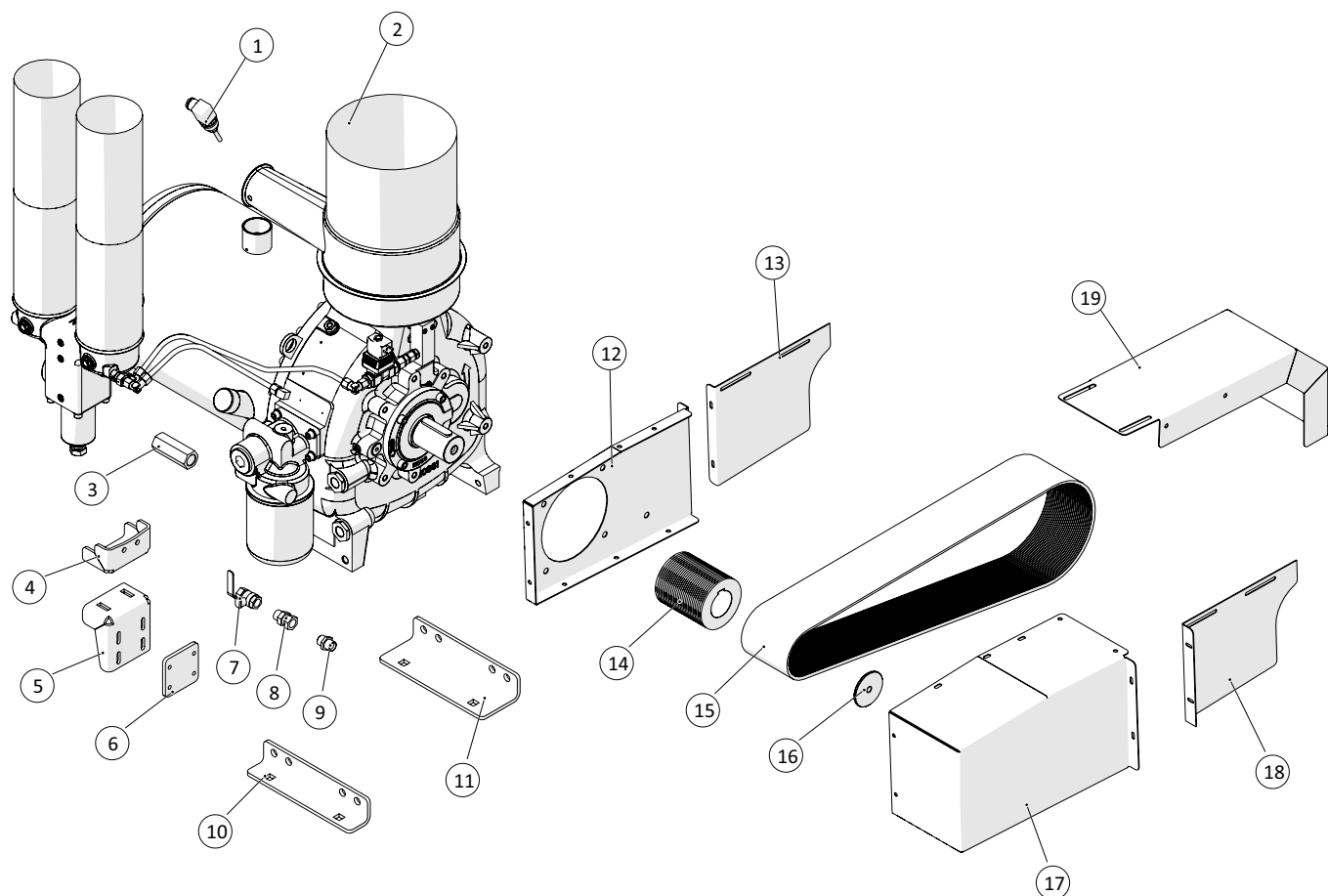
Exhaust Filter - Tier 3B

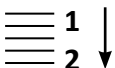


 1 ↓  2 ↓	<b>A-Z</b>	<b>Pump Unit APV250</b> Model year 2018 -	Date: 01-2019
			54

Exhaust Filter - Tier 3B				
Pos. no.	Item no.	Pcs.	Description	Note
1	250181466	1	Clamp for exhaust filter	
2	2501RE543189	1	Sensor for particulate filter	
3	2501AT366596	1	Mounting tape for particulate filter	
4	2501RE542265_S1D0	1	Particulate Filter	
5	2501AT366825	1	Bottomframe particulate filter	
6	2501AT375421_MIS01	4	Vibration absorber for particulate filter	

## Compressor

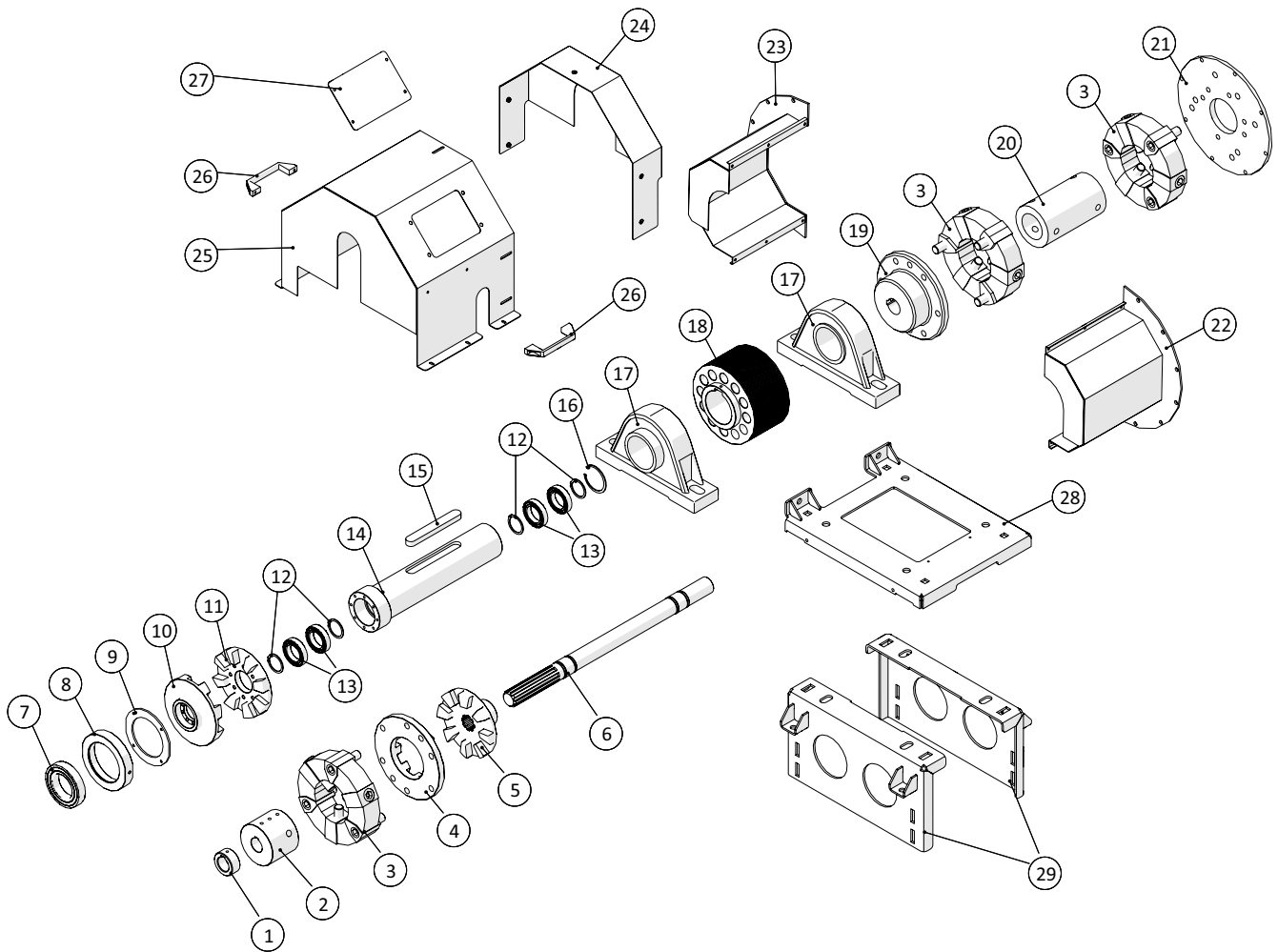


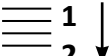
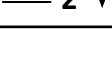
 <b>A-Z</b>	<b>Pump Unit APV250</b> Model year 2018 -	Date: 01-2019
		56

<b>Compressor</b>				
Pos. no.	Item no.	Pcs.	Description	Note
1	1363084Z4035	1	Temperature sensor	
2	25030505	1	Compressor NK200	
3	2514702325	1	Non return valve	
4	250180489	1	Bracket 2 for rear of compressor	
5	250180488	1	Bracket 1 for rear of compressor	
6	250182533	1	Mounting plate	
7	13708012	1	Ball valve dual stainless steel ½"	
8	5050108053	1	High pressure nipple union ½"	
9	50501003	1	High pressure Adaptor ½"	
10	250180469	1	Bracket for compressor	
11	250180470	1	Bracket 2 for compressor	
12	250180307	1	Protective shield for compressor	
13	250180310	1	Protective shield 4 compressor	
14	250180522	1	Poly-V pulley ø114,7mm 28 ribs PL	
15	250180520	1	Poly-V belt 18 ribs PL 1422	
16	250180512	1	Bushing for complete Poly-V pulley	
17	250180498	1	Protective shield for compressor	
18	250180309	1	Protective shield 3 for compressor	
19	250180308	1	Protective shield 2 compressor	



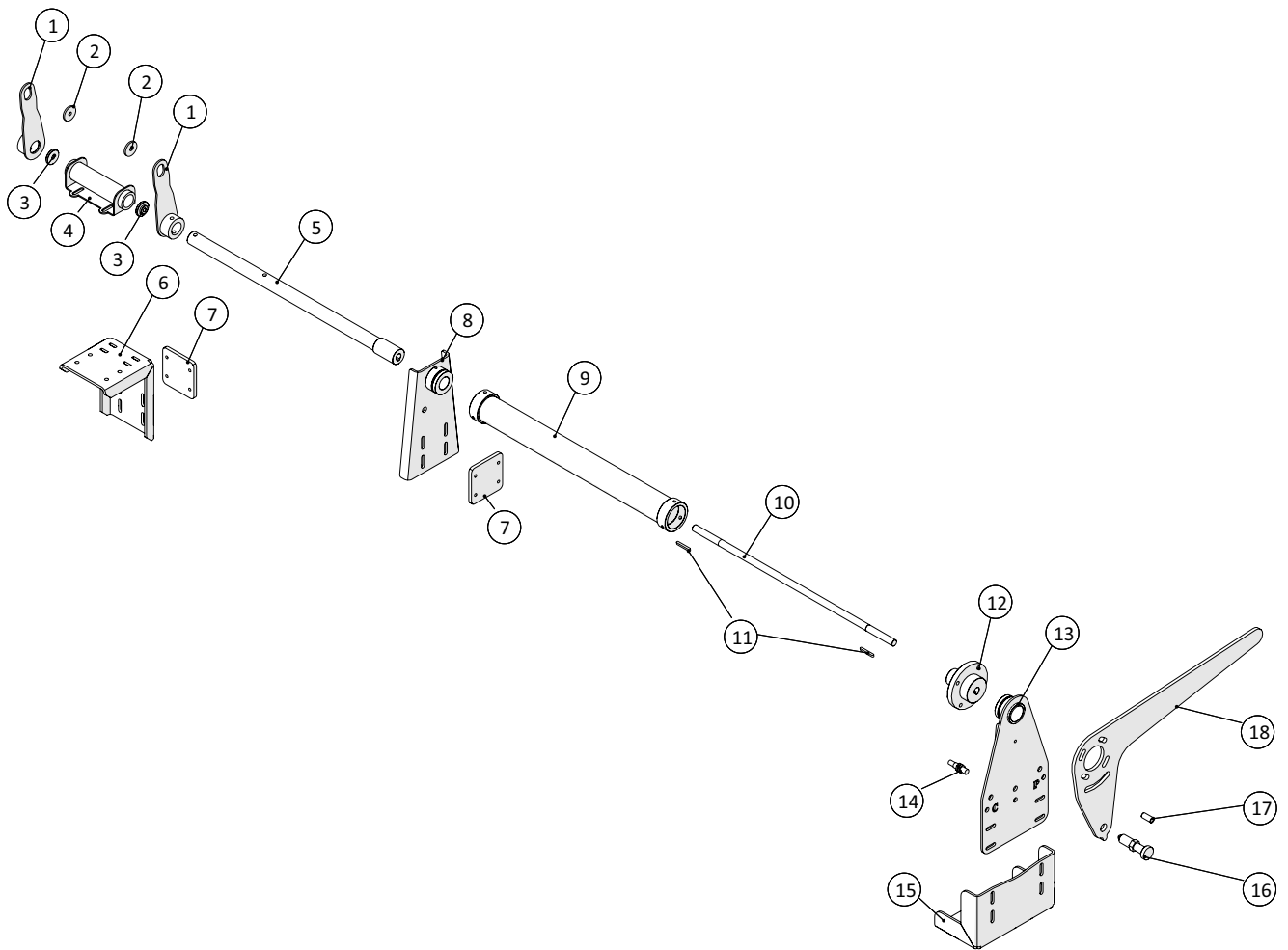
Coupling

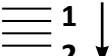
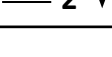


 1 ↓  2 ↓	<b>A-Z</b>	<b>Pump Unit APV250</b> Model year 2018 -	Date: 01-2019
			58

Coupling				
Pos. no.	Item no.	Pcs.	Description	Note
1	250181514	1	Spacer	
2	250180004	1	Shaft fastening on pump	
3	25030062	3	CENTAFLEX element A90 incl. bolts	
4	250180003	1	Coupling part for pump connection and housing	
5	250180006	1	Coupling part for pump connection	
6	250180005	1	Shaft for pump	
7	19300621502	1	Ball bearing	
8	250180010	1	Bracket for clutch bearing	
9	250180011	1	Plate for clutch bearing	
10	250180007	1	Coupling part	
11	250180008	1	Coupling part	
12	210422220019	4	Retaining ring A50	
13	19300601002	4	Ball bearing	
14	250180009	1	Shaft for compressor	
15	250180358	1	Parallel key A28x16x200	
16	15110616087	1	Retaining ring J80x2, 5	
17	19320100	2	Plummer block bearing	
18	250180521	1	Poly-V Pulley	
19	25030066	1	CENTAFLEX hub A90 Ø48mm	
20	25030064	1	Central pipe A90	
21	25030063	1	CENTAFLEX plate A90	
22	250180695	1	Housing	
23	250180699	1	Housing	
24	250180624	1	Shield 2	
25	250180619	1	Shield	
26	2514803066	2	Handle	
27	250181074	1	Inspection Hatch	
28	250180055	1	Base plate for bearing assembly	
29	250180053	2	Bracket for bearing assembly	

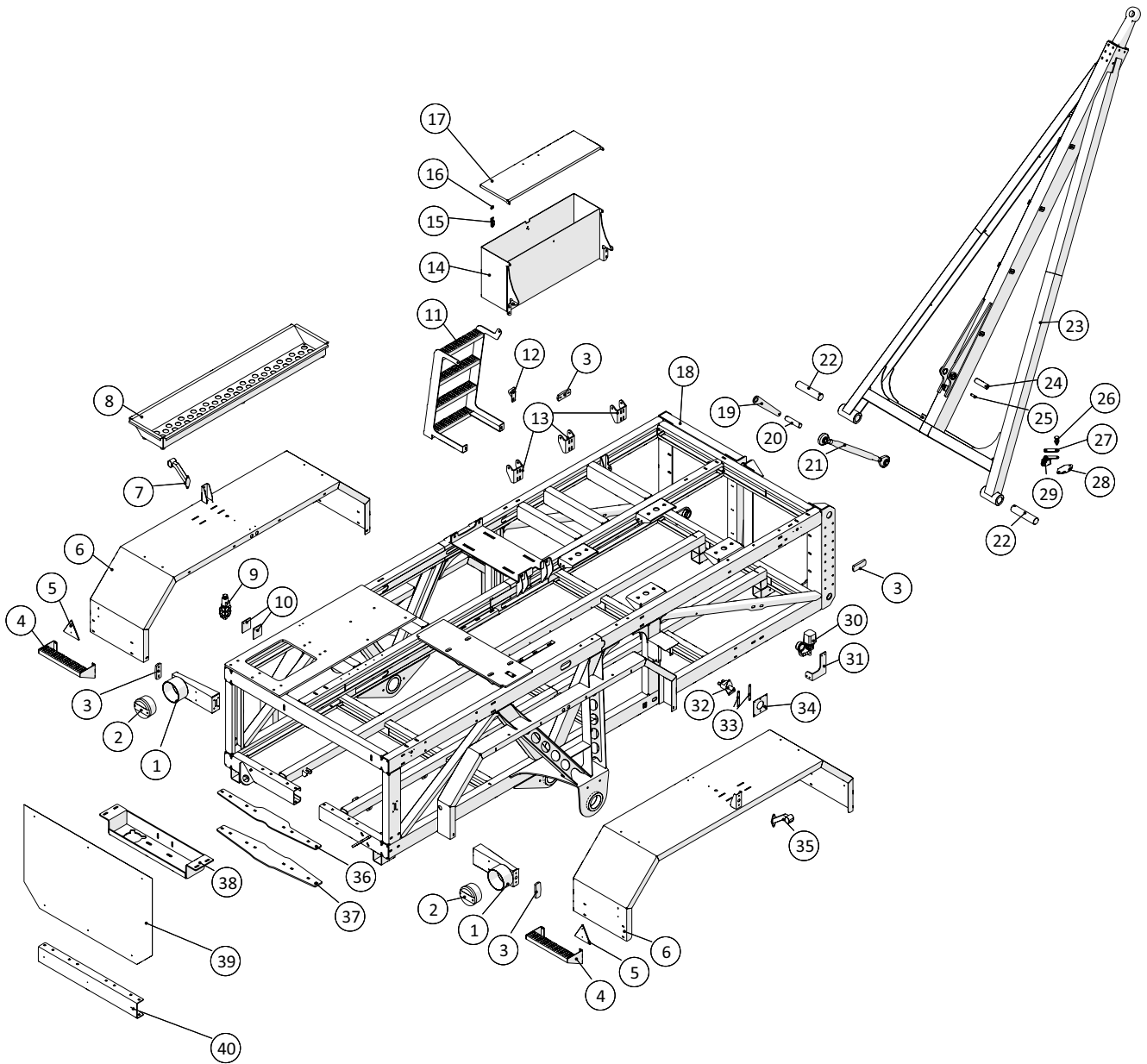
**Gear shifting function**



 1 ↓  2 ↓	<b>A-Z</b>	<b>Pump Unit APV250</b> Model year 2018 -	Date: 01-2019
			60

Gear shifting function				
Pos. no.	Item no.	Pcs.	Description	Note
1	250181070	2	Switch arm	
2	250180086	2	Washer for switch arm	
3	250180012	2	Spacer	
4	250181075	1	Bearing	
5	250181067	1	Shaft	
6	250180083	1	Bracket for switch system	
7	250180084	2	Mounting plate	
8	250181078	1	Plate for switch arm	
9	250181303	1	Spacer	
10	250180577	1	Spring	
11	15140038005040	2	Parallel key A5x5x40	
12	250181071	1	Bushing	
13	250181300	1	Bracket for switch system	
14	25030013	1	Inductive sensor	
15	250180566	1	Bracket 2 for switch system	
16	250120151008	1	Spring latch	
17	250181066	1	Spacer	
18	250181072	1	Trigger arm	

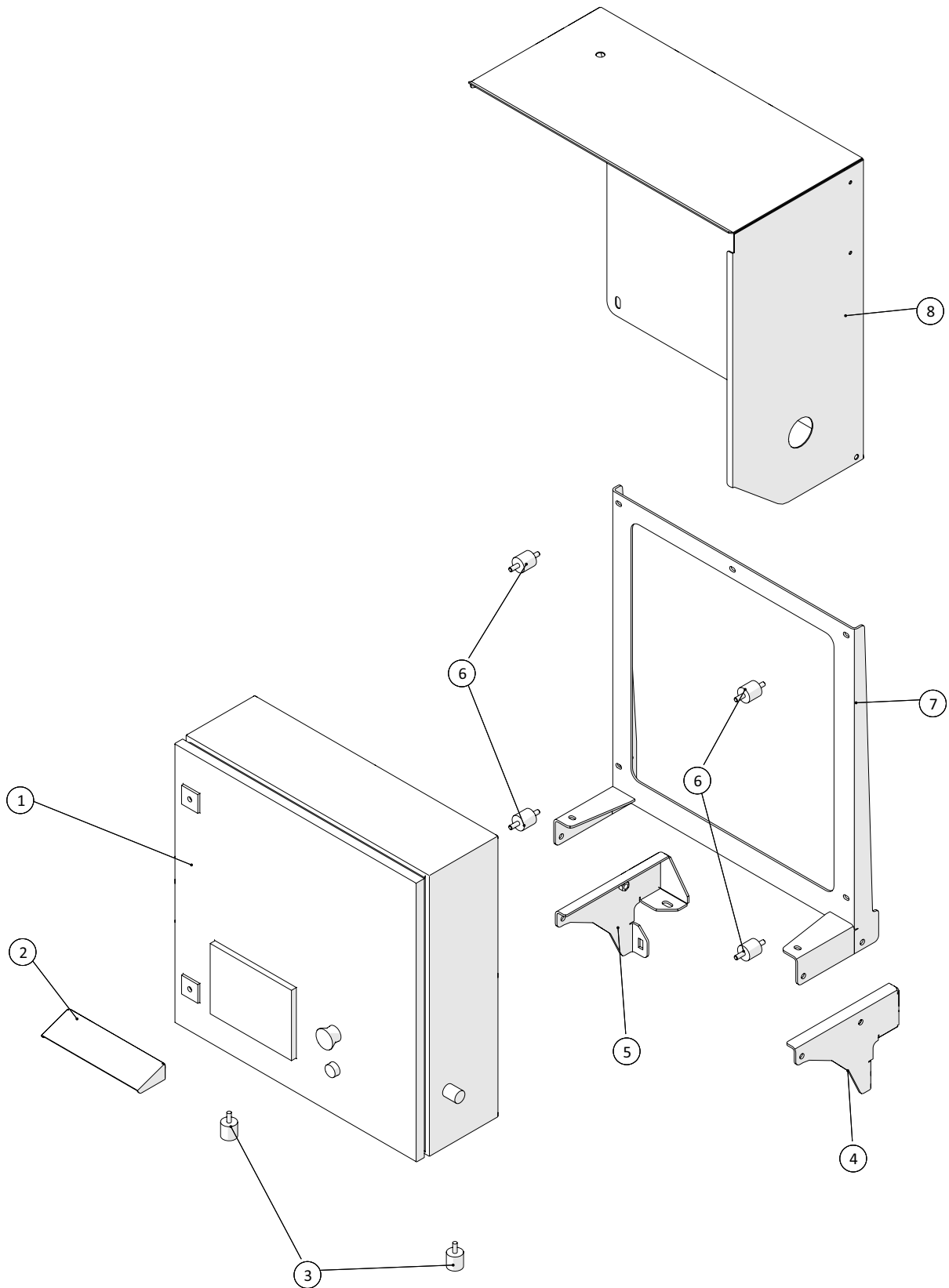
Chassis

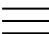
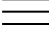


 1 ↓ 2 ↓	<b>A-Z</b>	<b>Pump Unit APV250</b> Model year 2018 -	Date: 01-2019
			62

Chassis				
Pos. no.	Item no.	Pcs.	Description	Note
1	250180199	2	Bracket for tail light	
2	1229140075	2	Tail light Stop / blink	
3	1229140053	4	Side marker yellow LED	
4	250180673	2	Step	
5	210434566501	2	Red triangular reflex	
6	250180497	2	Mudguard w/bracket	
7	1229140072	1	End outline marker left	
8	250180553	1	Toolbox	
9	25017645	1	6-way valve 24Volt 3/8"	
10	250180589	2	Bracket for 6-way valve	
11	250180531	1	Ladder	
12	250180534	1	Brackets for ladder	
13	250180129	3	Bracket for tank on frame	
14	250180290	1	Toolbox	
15	122500041	1	Lock	
16	122500042	1	Hook	
17	250180293	1	Lid for toolbox	
18	250180002	1	Chassis Frame	
19	250180273	1	Bracket for drawbar	
20	250180352	1	Pin for top link	
21	25017251	1	Top link	
22	250180337	2	Pin of drawbar	
23	250180790	1	Reinforced drawbar	
24	250180353	1	Pin 2 of the top link	
25	250180529	1	Pin of drawbar hook	
26	1513ks66030000	1	Lock pedal	
27	250180781	1	Arm for parking brake valve	
28	250180780	1	Plate for parking brake valve	
29	25017188	1	Tip limiter valve	
30	25010994	1	Compressor with parts	
31	250181764	1	Bracket	
32	2514862521	1	Main switch	
33	250180709	2	Threadplate for main switch	
34	250180682	1	Front panel for box for main switch	
35	1229140073	1	End outline marker right	
36	250180386	1	Reinforcement 2 below rear profile	
37	250180385	1	Reinforcement below rear profile	
38	250181685	1	Rear suspension for Cornell pump	
39	250180834	1	Mounting bracket for water outlet in chassis	Used only without water tank
40	250180835	1	Mounting plate for chassis	Used only without water tank

Control box

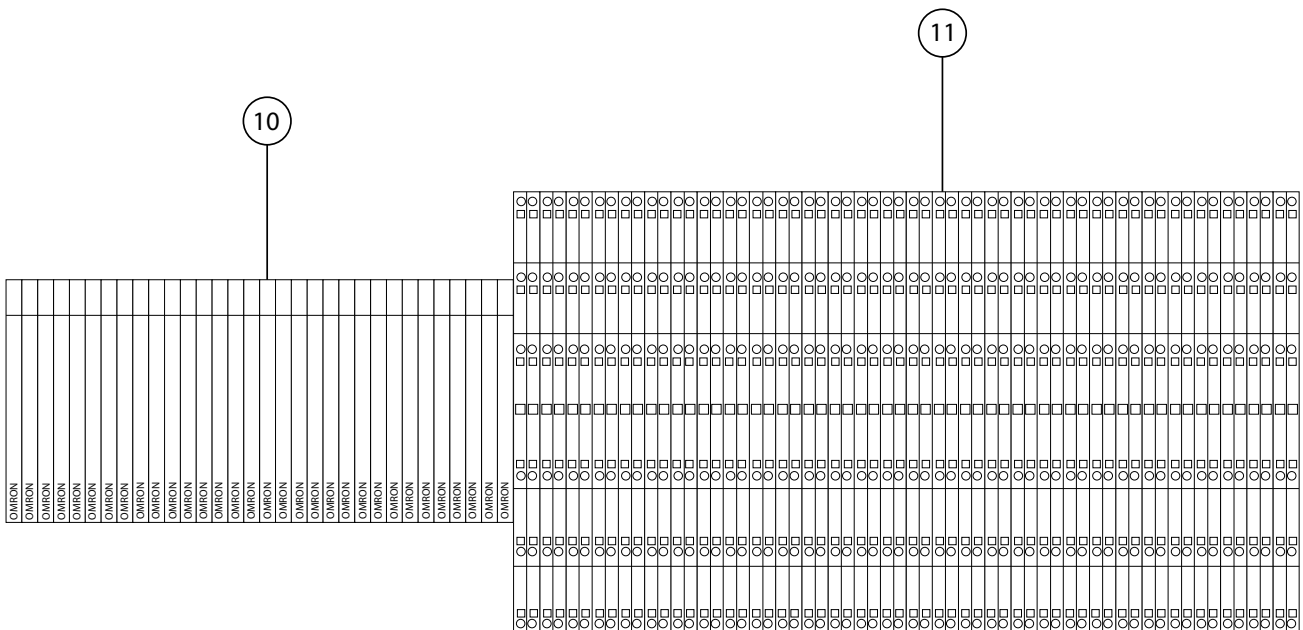
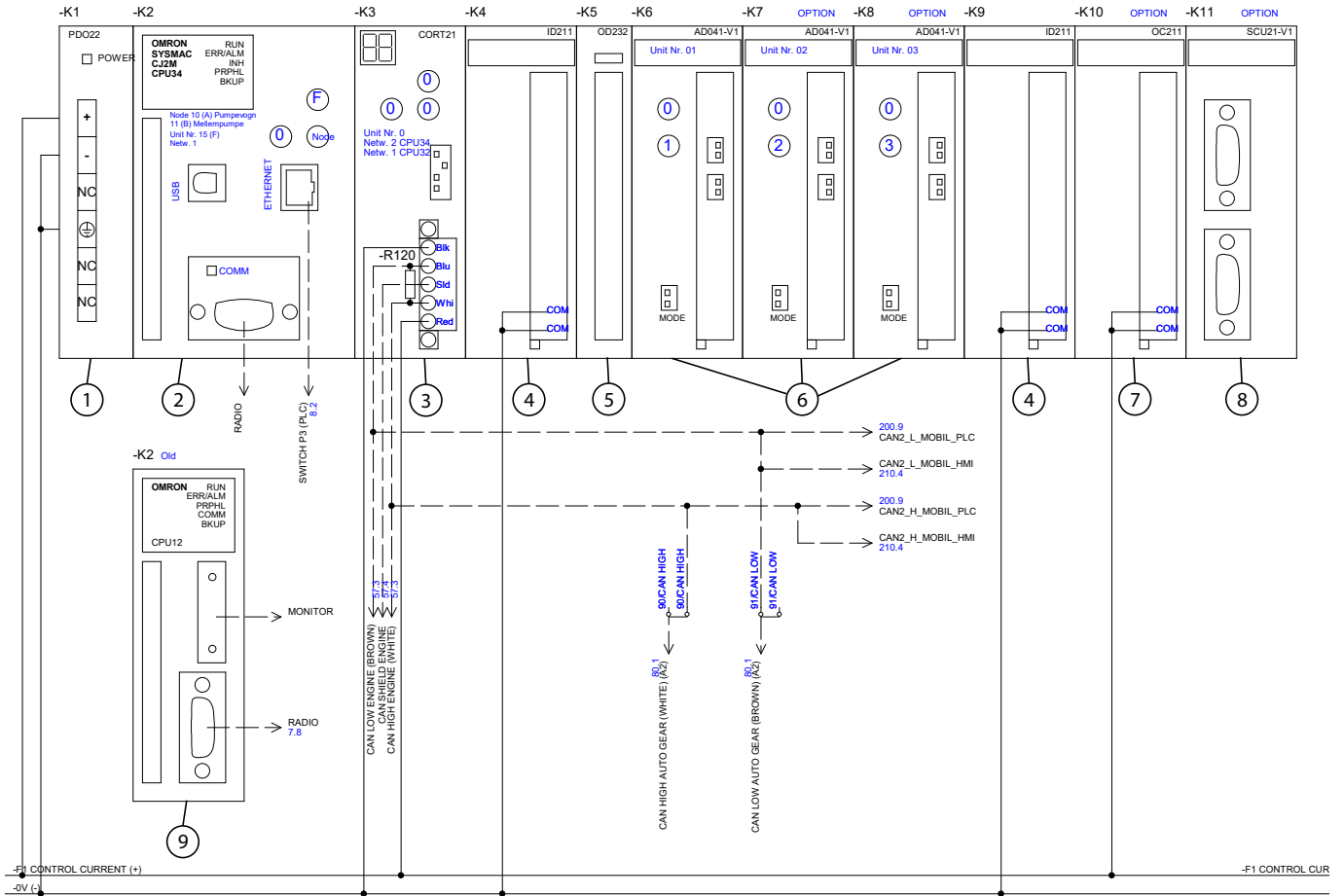


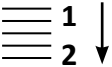
 1 ↓  2 ↓	<b>A-Z</b>	<b>Pump Unit APV250</b> Model year 2018 -	Date: 01-2019
			64

Control box				
Pos. no.	Item no.	Pcs.	Description	Note
1	25019013-1	1	Controlbox	
2	250180597	1	Rain Cover up screen	
3	25017401	2	Vibration absorber D30x30	
4	250180801	1	Bracket 2 for tiltable control box	
5	250180800	1	Bracket for tiltable control box	
6	25057413	4	Vibration absorber A30x30	
7	250180789	1	Top part for tiltable control box	
8	250180596	1	Rain Cover for control box	



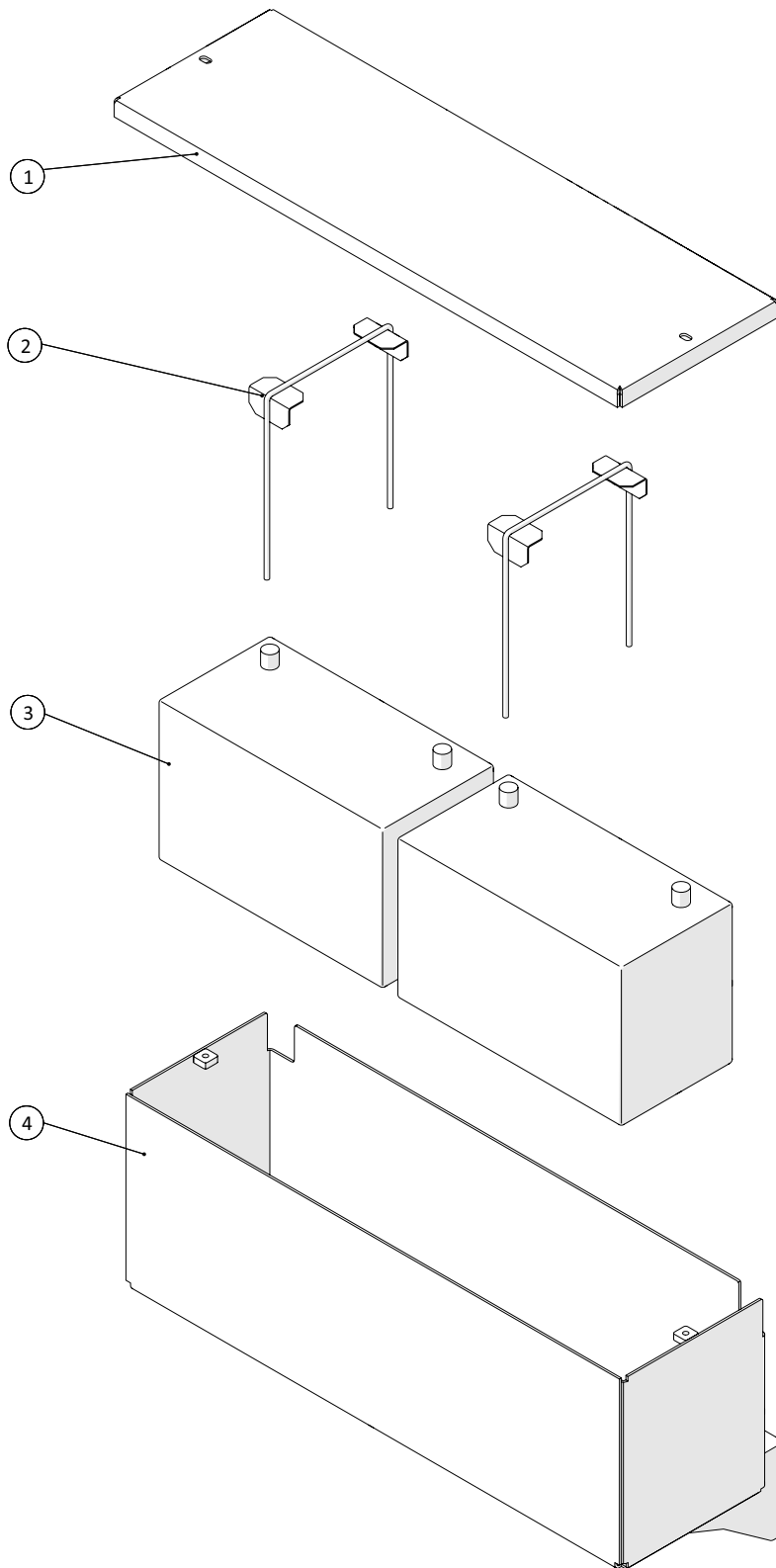
Electrical cabinet - internal components

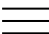
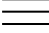


 <b>1</b> ↓ <b>2</b> ↓	<b>A-Z</b>	<b>Pump Unit APV250</b> Model year 2018 -	Date: 01-2019
			66

Pos. No.	Item no.	Pcs.	Description	Note
1	25032AS1040	1	Sitemanager 4G Secomea MODEM	
2	25017678	1	Omron PLC CPU CJ2M-CPU34	
3	25017670	1	Can module CJ1W-Cort21	
4	25017671	2	Input kort CJW ID221	
5	25017672	1	32 stk. output card CJ1W OD232	
6	2514853891	1 to 3	Omron analogue card CJ1W-AD041	Option
7	25017659	0 to 1	Input card CJ1W OC211	Option
8	25017674	0 to 1	Serial com port CJ1W sch21-v1	Option
9	25017662	1	CPU CJ2M-CPU12	
10	1229160140	32	Relay MRZ 24VDC	
11	1229030230	30	Terminal block 3 row ZDLD 2,5/3AN	
12	2514890370	1	Display NS5-TQ11B-V2 HMI	
13	25019002	1	Ethernet radio WDM9000, 8-60Vdc	
14	25019010-02	1	TP radio TP6000I 12V/25W	

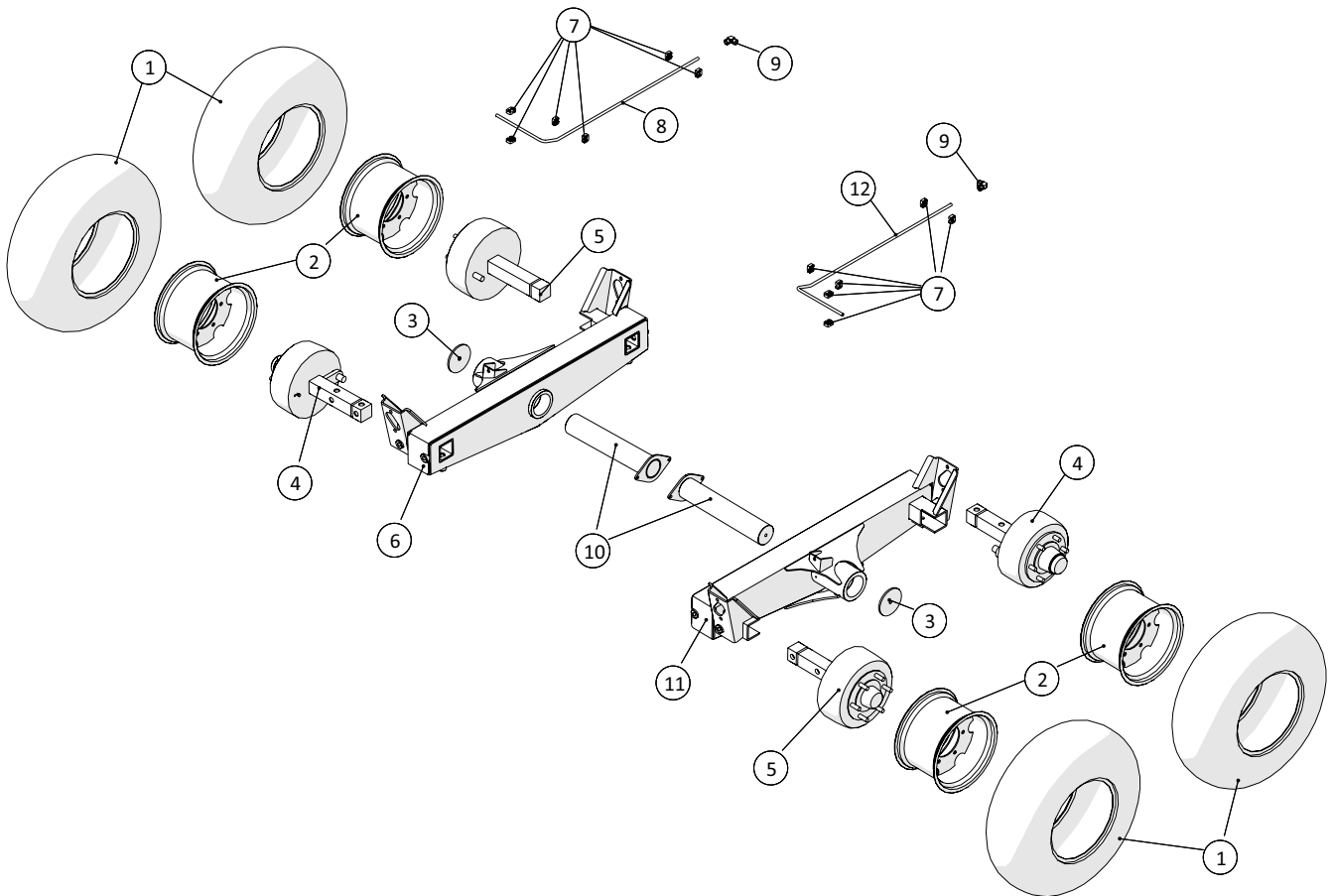
**Battery box**

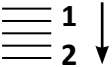


 1 ↓  2 ↓	<b>A-Z</b>	<b>Pump Unit APV250</b> Model year 2018 -	Date: 01-2019
			68

Battery box				
Pos. no.	Item no.	Pcs.	Description	Note
1	250180206	1	Lid for battery box	
2	251476636540	2	Battery bracket	
3	25017385	2	Battery 61047 type643	
4	250180205	1	Battery Box	

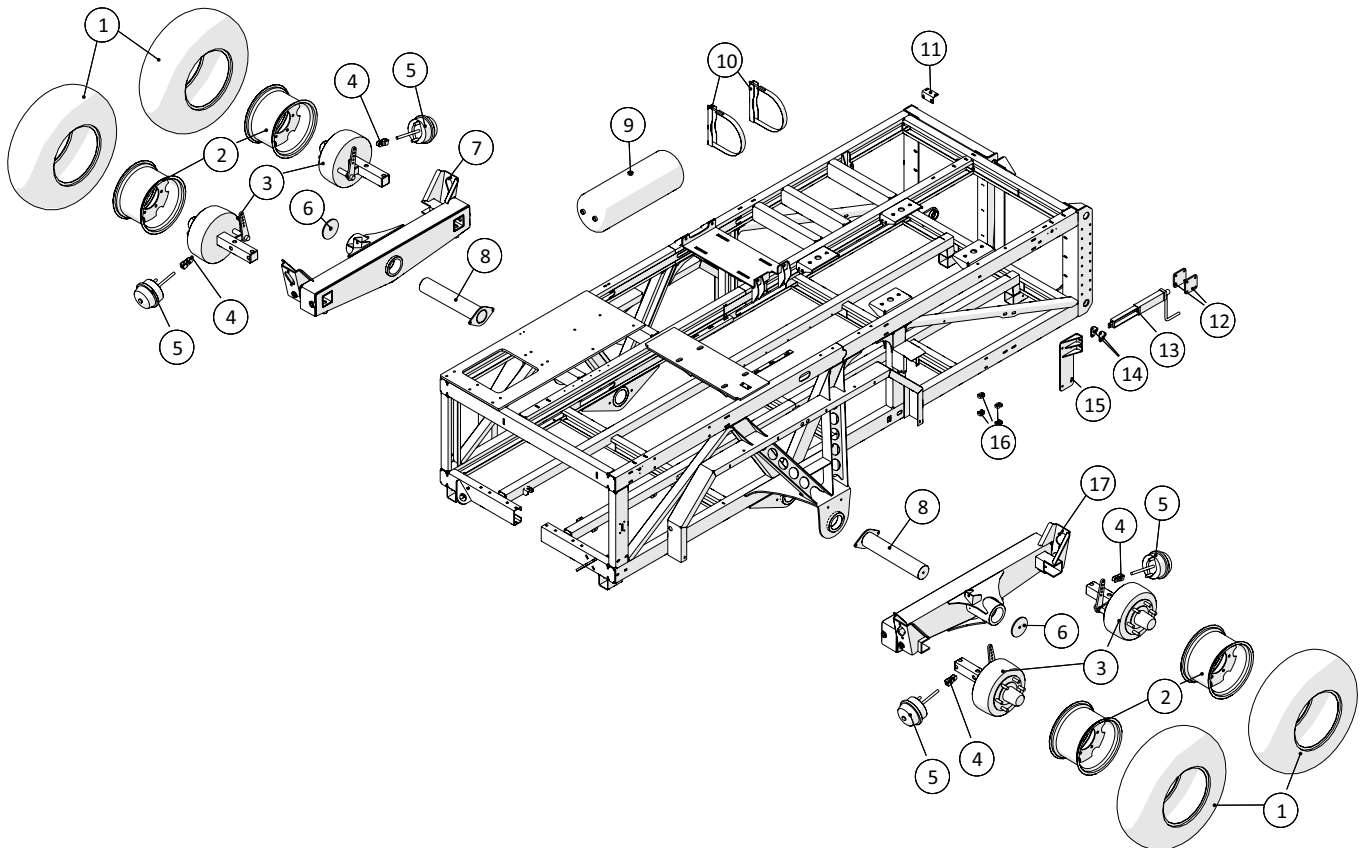
**Brakes - Hydraulic**

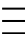
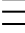


 1 ↓ 2 ↓	<b>A-Z</b>	<b>Pump Unit APV250</b> Model year 2018 -	Date: 01-2019
			70

Brakes - Hydraulic				
Pos. no.	Item no.	Pcs.	Description	Note
1	25017305	4	Allianca tire 11,5/80x15,3/14TT 320	
2	25017310	4	Rim 9,00x15,3	
3	250180464	2	End cover for axle	
4	250180631	2	Hydraulic hub	
5	250180649	2	Hydraulic hub	
6	250180495	1	Suspension, right	
7	51000012-01	12	Clamp - single, 12mm	
8	250180588	1	Pipe 2 for hydraulic brakes	
9	503373388	2	Union elbow L12	
10	250180463	2	Shaft for suspension	
11	250180448	1	Suspension, left	
12	250180587	1	Pipe for hydraulic brakes	

Brakes - Pneumatic

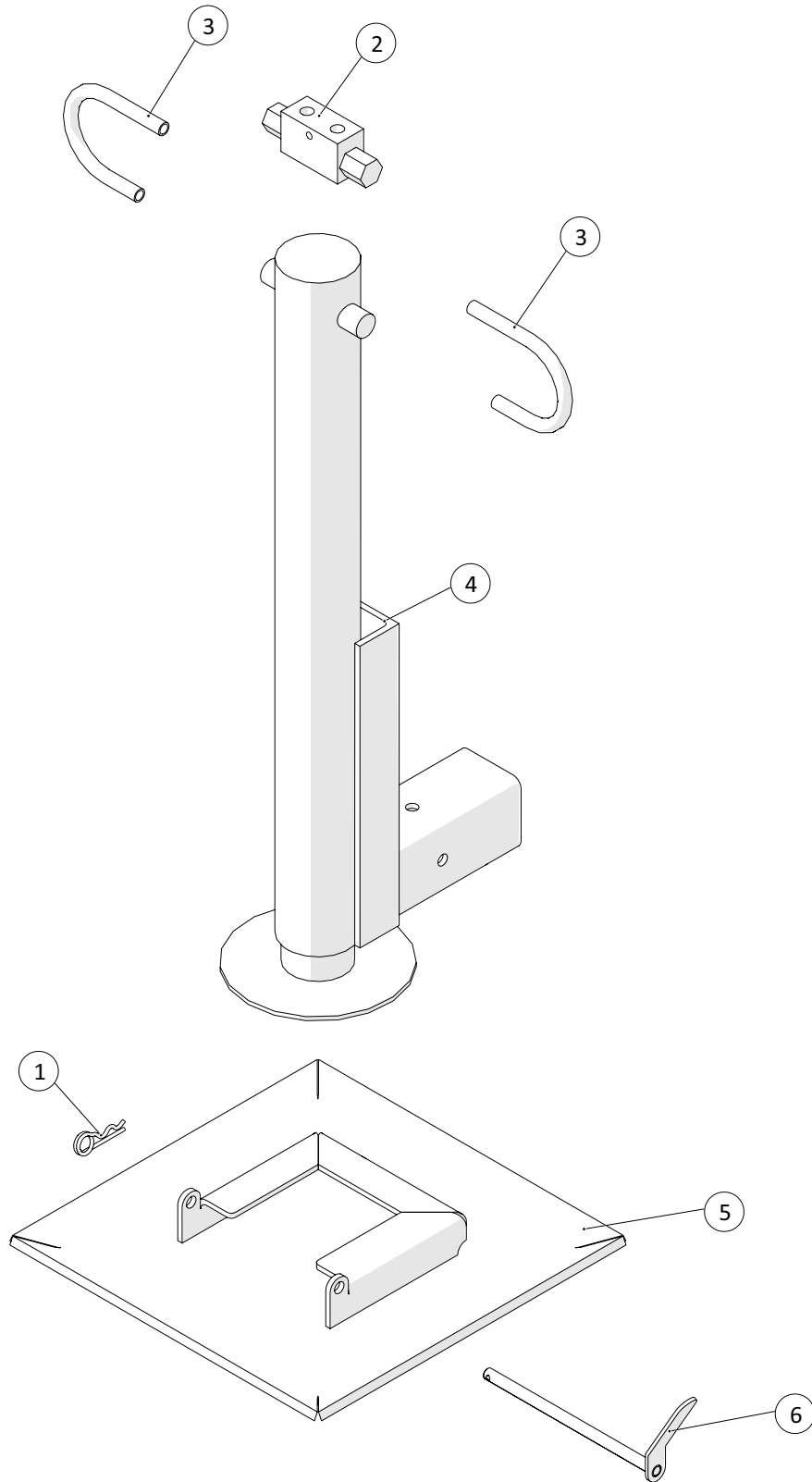


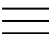
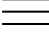
 1 ↓  2 ↓	<b>A-Z</b>	<b>Pump Unit APV250</b> Model year 2018 -	Date: 01-2019
			72

Brakes - Pneumatic				
Pos. no.	Item no.	Pcs.	Description	Note
1	25017305	4	Allianca tires	
2	25017310	4	Rim 9,00x15,3	
3	25017311	4	Pneumatic brake	
4	250180545	4	Clips for pneumatic brakes	
5	250180436	4	Pressurized air membrane	
6	250180464	2	End cover for axle	
7	250180495	1	Suspension, right	
8	250180463	2	Shaft for suspension	
9	25017710	1	Pressurized air tank 40ltr	
10	25017711	2	Tank mounting	
11	250180689	1	Plate for air valve for pneumatic brakes	
12	250180479	2	Plate for parking brake	
13	250180472	1	Parking brake release	
14	250180473	2	Brackets for end to parking brake	
15	250180481	1	Bracket for parking brake cable	
16	51000015-01	4	Clamp - single, 15mm	
17	250180448	1	Suspension, left	



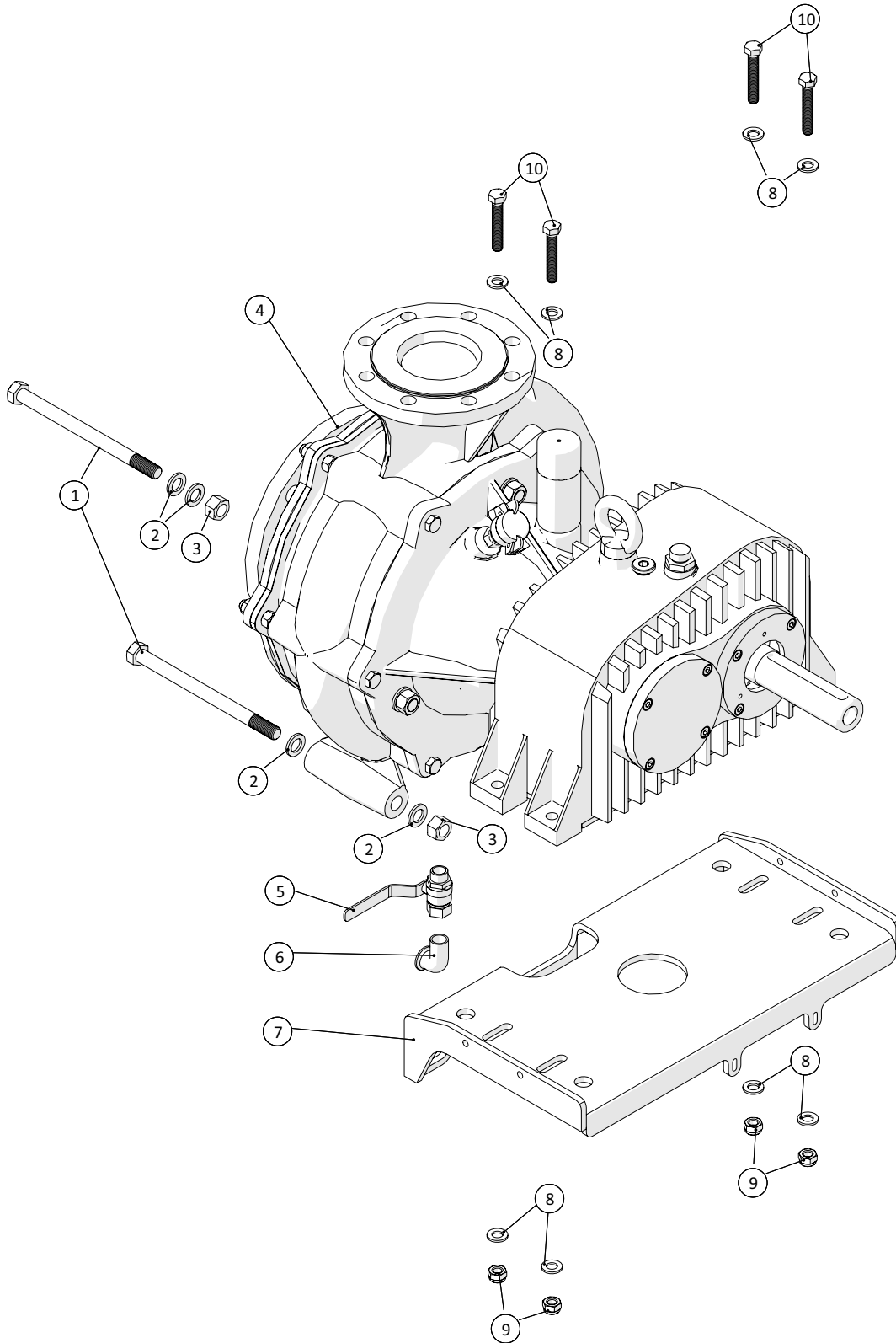
Support leg

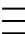
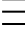


 1 ↓  2 ↓	<b>A-Z</b>	<b>Pump Unit APV250</b> Model year 2018 -	Date: 01-2019
			74

Support leg				
Pos. no.	Item no.	Pcs.	Description	Note
1	1514009550030	1	Double Loop Hair Pin 3mm galv.	
2	25017185	1	Double locking valve 1/4" VBPDE	
3	2501790288	2	Hydraulic pipes	
4	250180659	1	Support leg	
5	250180740	1	Base for support leg	
6	250180744	1	Pin for lock of base	

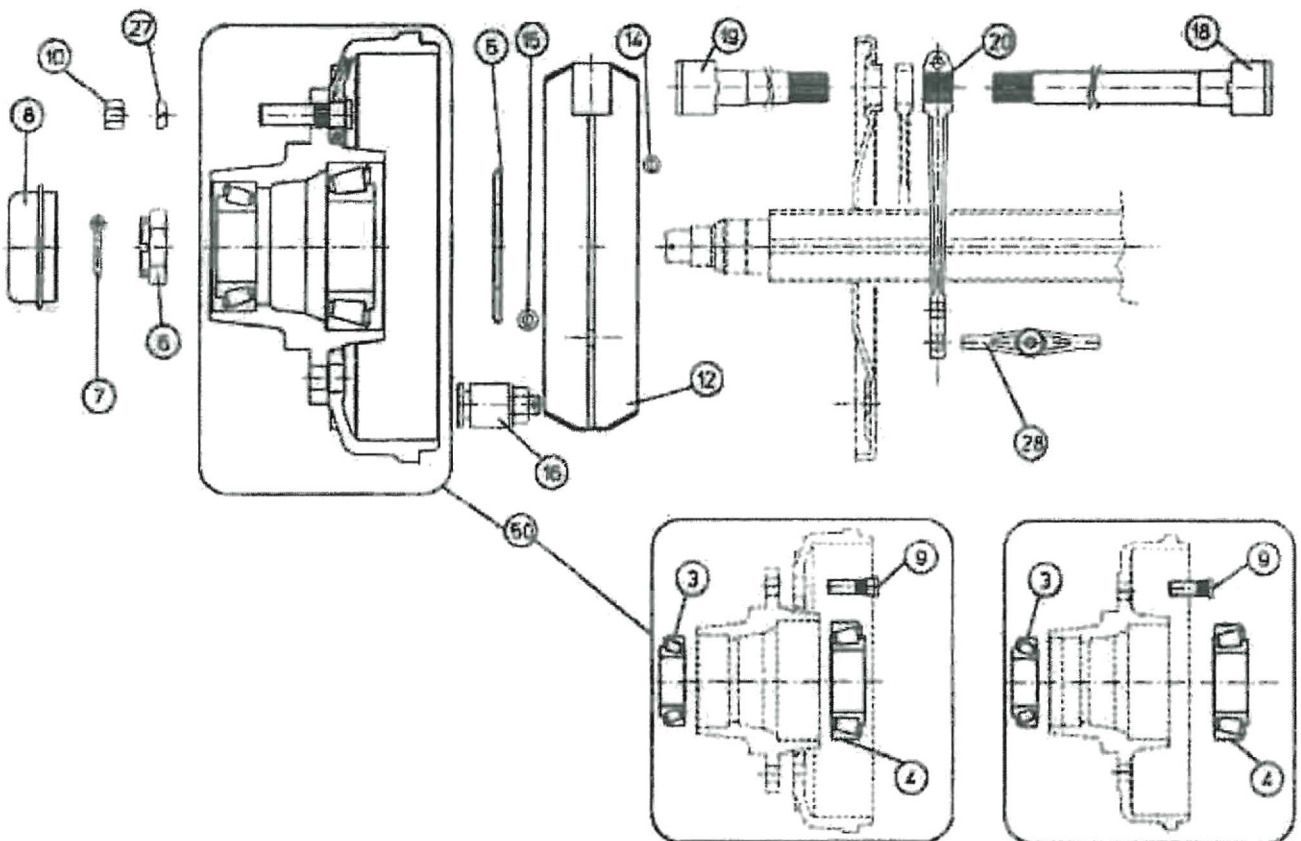
BAUER SX2000 pump

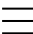
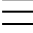


 1 ↓  2 ↓	<b>A-Z</b>	<b>Pump Unit APV250</b> Model year 2018 -	Date: 01-2019
			76

BAUER SX2000 pump				
Pos. no.	Item no.	Pcs.	Description	Note
1	132616220	2	Steel Bolt	
2	132601116	4	Washer	
3	132602016	2	Lock nut	
4	23053450030	1	Bauer Slurry Pump SX2000	
5	13100064	1	Ball valve female/male ½"	
6	00092404	1	Elbow 90° No.92 ½"	
7	132602012	1	Plate for pump	
8	132601112	8	Washer	
9	132602012	4	Lock nut M12	
10	132612070	4	Bolt	

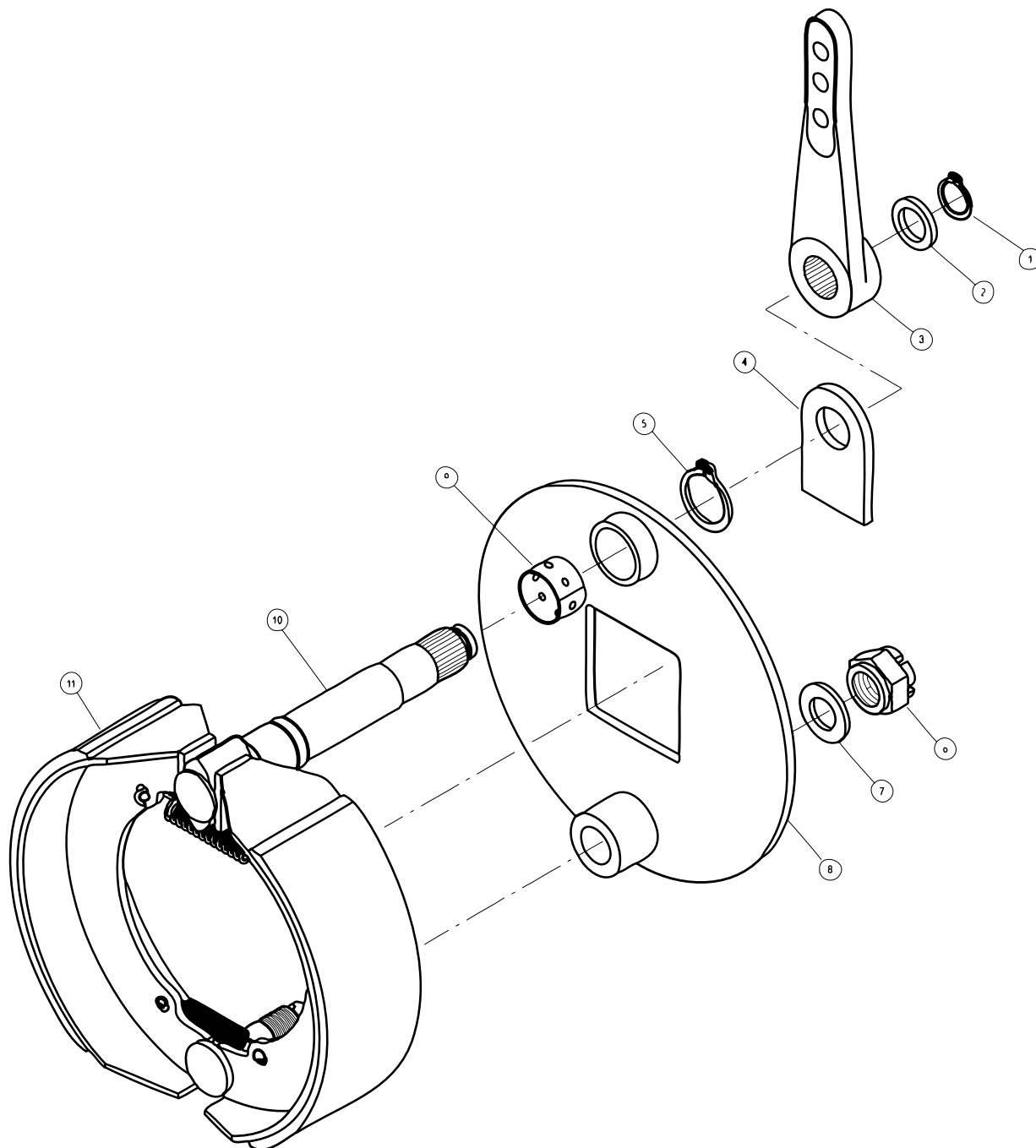
Hub for Hydraulic brake

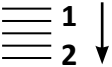


 1 ↓  2 ↓	<b>A-Z</b>	<b>Pump Unit APV250</b> Model year 2018 -	Date: 01-2019
			78

Hub for Hydraulic brake				
Pos. no.	Item no.	Pcs.	Description	Note
3	2502311F034		Wheel bearings outside 30210	
4	2502311F040		Wheel bearings inside 30213	
5	2502324F003		Seal 65-120	
6	2502328F012		Crown nut M39x2 60x25	
7	2502310F006		Pin 6,3 x55	
8	2502307F049		Fat cap D.90mm	
9	2502309F024		Wheel bolts M18x1, 5x62	
10	2502312F010		Wheel nut M18x1, 5 spheric flange	
12	2502316A052		Brake shoes complete fixed 3009/1	
14	2502322F006		Spring top 18x4, 5x170 322F006	
16	2502356A0341		Hydraulic brake cylinder	
19	2502301F502		Brake shaft 30x24 100-180	
20			Brake lever	Not available
50	2502323092FX		Drum hub - Aggregate	
	2502331F043		Brake drum 300x90 6L	

Hub for Pneumatic brake



 1 ↓ 2 ↓	<b>A-Z</b>	<b>Pump Unit APV250</b> Model year 2018 -	Date: 01-2019
			80

Hub for Pneumatic brake				
Pos. no.	Item no.	Pcs.	Description	Note
1	250258508		Retaining ring	
2	25029812601		Washer	
3	25027611503		Brake lever	
4	250274402106		Bracket	
5	250258513		Retaining ring	
6	250297124B1		Castle nut	
7	25029800241		Washer	
8	2502741IC7015		Anchor Plate	
9	2502921B38		Bush	
10	250275A3552003		Brake shaft	
11	2502731IC01		Brake shoes	



Date: 01-2019

81

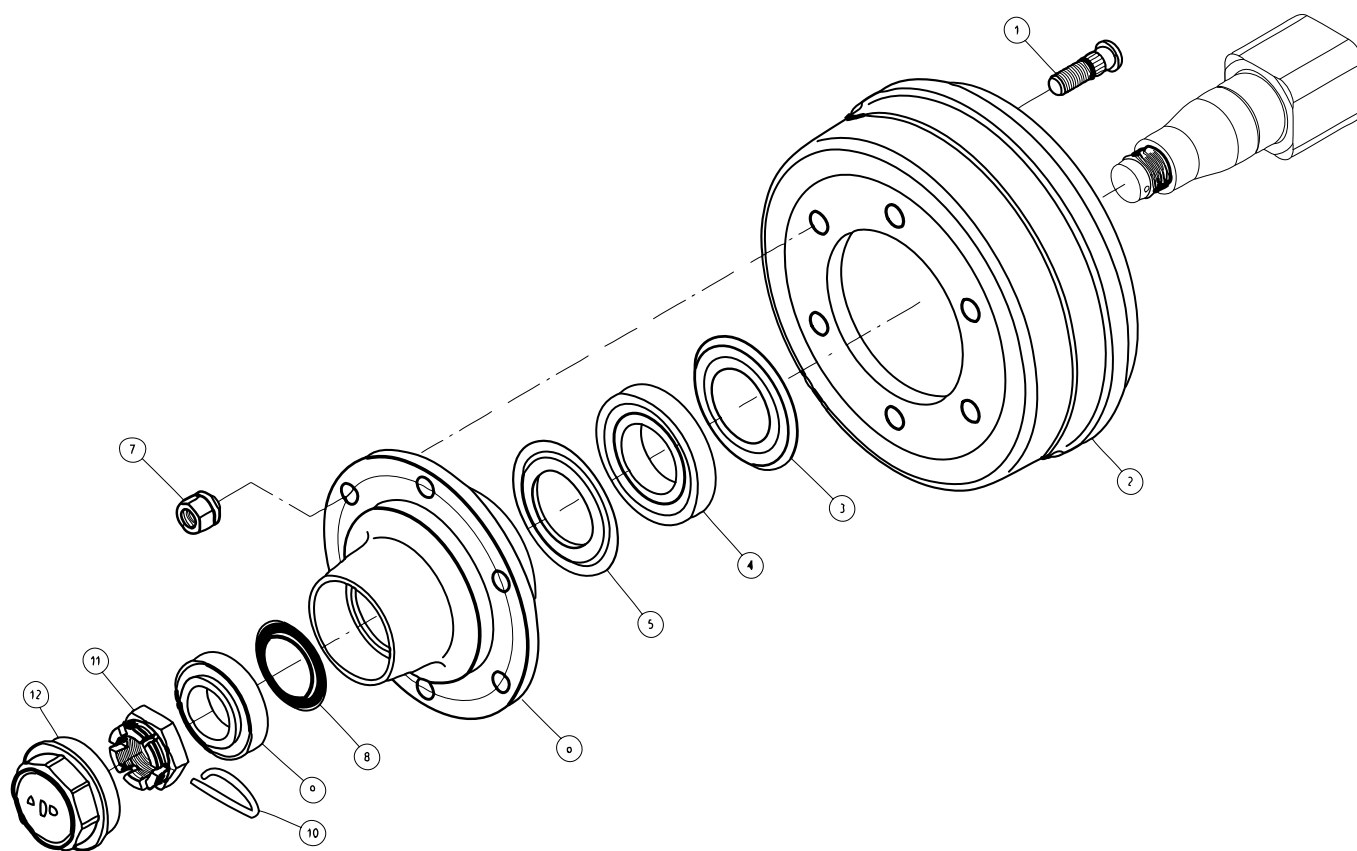
**Pump Unit APV250**

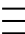
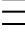
Model year 2018 -

≡ 1 ↓  
≡ 2 ↓

**A-Z**

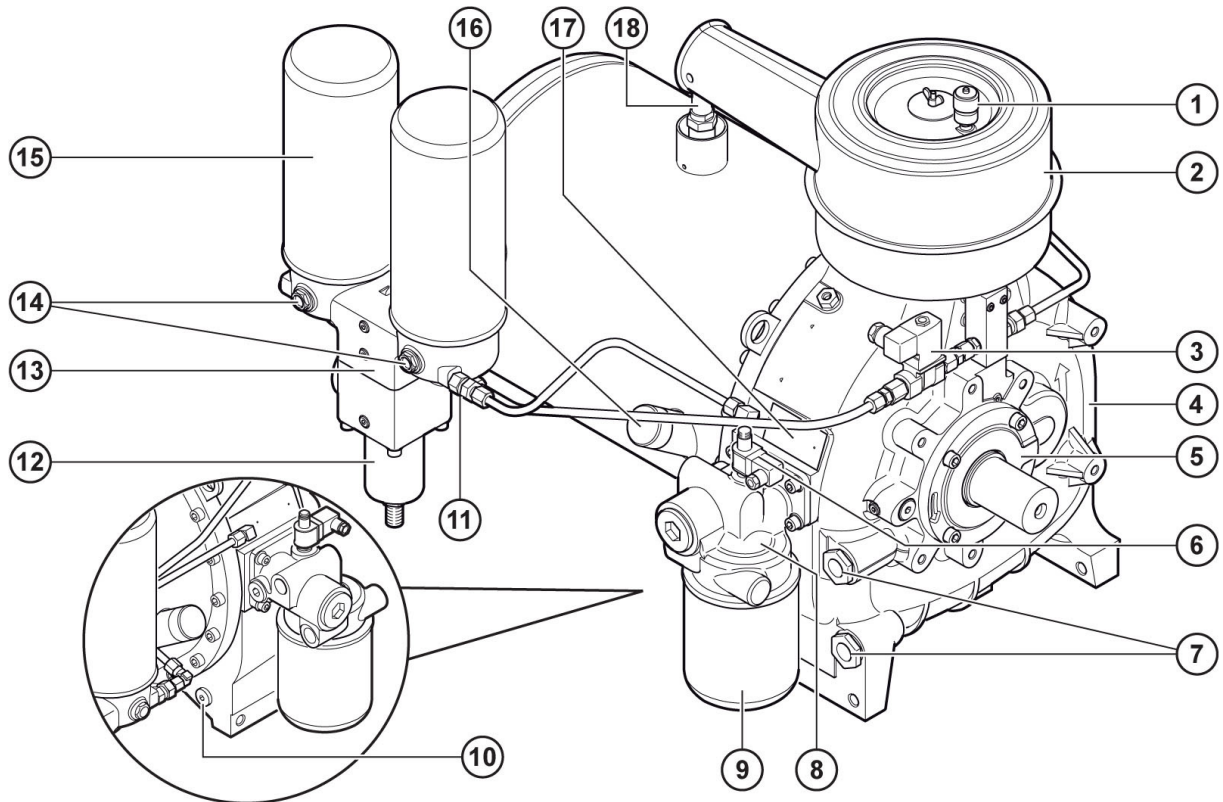
### Hub for Pneumatic brake

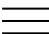
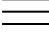


 1 ↓  2 ↓	<b>A-Z</b>	<b>Pump Unit APV250</b> Model year 2018 -	Date: 01-2019
			82

Hub for Pneumatic brake				
Pos. no.	Item no.	Pcs.	Description	Note
1	250257118B4		Wheel Bolt	
2	250266LJB0605		Brake Drum	
3	25025411201		Sealing ring	
4	250259130213		Bearing	
5	25025511201		Sealing ring	
6	250261NA002		Hub	
7	250257318B4		Wheel nut	
8	25025530801		Sealing ring	
9	250259132210		Bearing	
10	250258205		Pin	
11	25025753B2		Castle nut	
12	250256109003		Grease Cap	

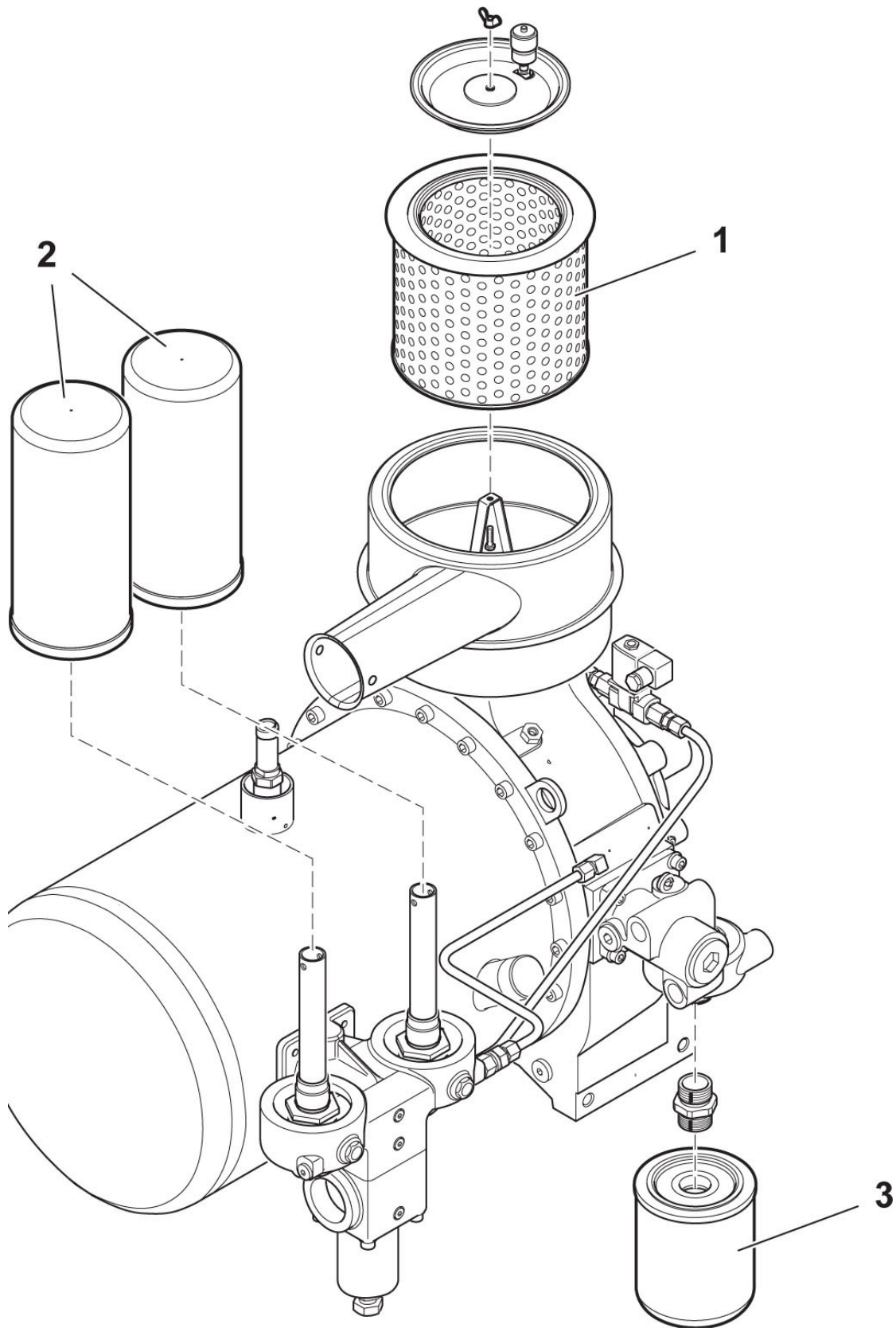
## Screw compressor NK 200 - Compact module

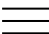
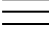


 1 ↓  2 ↓	<b>A-Z</b>	<b>Pump Unit APV250</b> Model year 2018 -	Date: 01-2019
			84

Screw compressor NK 200 - Compact module				
Pos. no.	Item no.	Pcs.	Description	Note
1	25030509		Maintenance indicator for intake filter	(Optional)
2			Intake filter	
3			Control unit, electric	
4			NK 200 basic module	
5			End cover	
6			Differential pressure indicator	(Optional)
7			Inspection glasses, oil level indicator	
8			Thermostat head	
9	25030506		Oil filter	
10			Oil drain screw	
11			Oil intake non-return valve	
12			Minimum pressure valve	
13			Double separator head	
14			Inspection glasses, oil separation	
15	25030508		Fine separator cartridge	
16			Oil filler opening	
17			Nameplate	
18	25017054		Safety valve	(Optional)

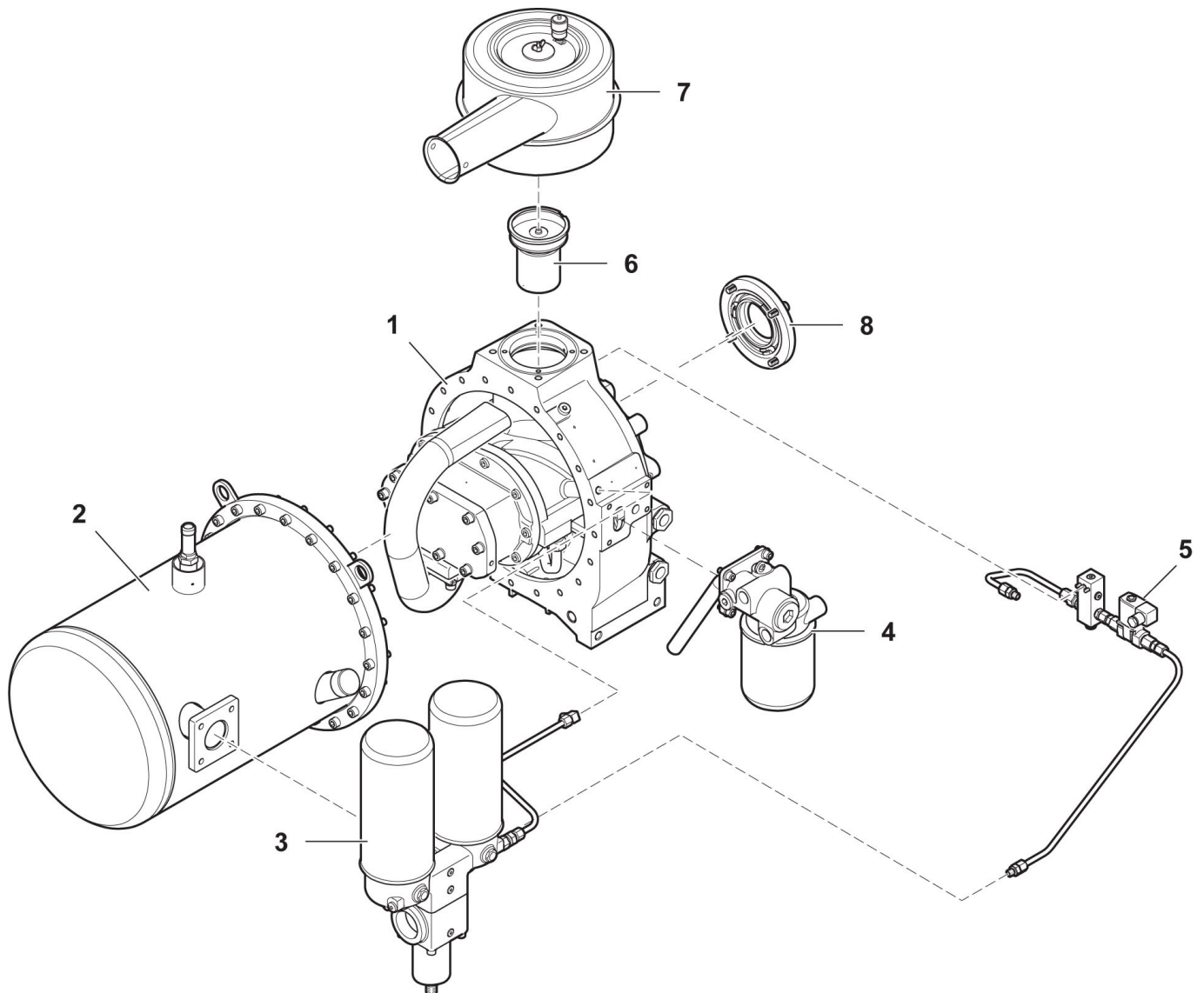
Screw compressor NK 200 - Filter

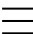
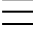


 1 ↓  2 ↓	<b>A-Z</b>	<b>Pump Unit APV250</b> Model year 2018 -	Date: 01-2019
			86

Screw compressor NK 200 - Filter				
Pos. no.	Item no.	Pcs.	Description	Note
1	25030507	1	Intake filter cartridge	
2	25030508	2	Separator cartridge	
3	25030506	1	Oil filter	

**Screw compressor NK 200 - Components**

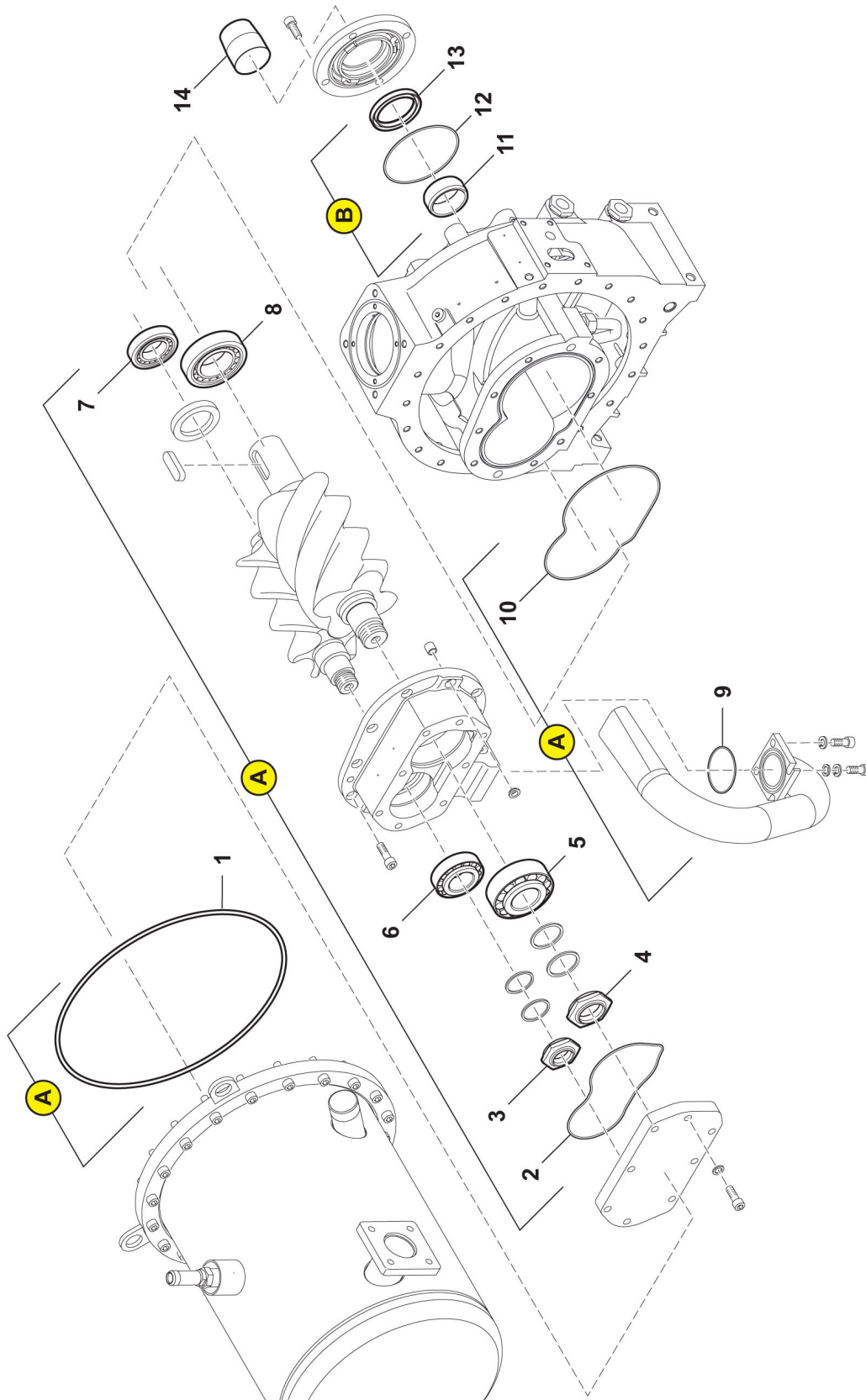


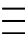
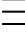
 1 ↓  2 ↓	<b>A-Z</b>	<b>Pump Unit APV250</b> Model year 2018 -	Date: 01-2019
			88

Screw compressor NK 200 - Components				
Pos. no.	Item no.	Pcs.	Description	Note
1		1	Basic module cpl.; standard version	See Single Parts, Basic Module
2			Separator vessel cpl., Variants Parts List	
		1	Separator vessel cpl. up to 75kW, Demister	See Single Parts, Separator vessel and Double separator
[ ]		1	Separator vessel cpl. up to 55kW, (short version)	Not shown in drawing
3		1	Double separator cpl	See Single Parts, Separator vessel and Double separator
4			Thermostat head with Oil-Filter cpl., Variants Parts List	
	2501110331	1	Thermostat head with Oil-Filter 70°C cpl.	See Single Parts, Thermostat head
[ ]	250186954	1	Thermostat head with Oil-Filter 83° cpl.	Not shown in drawing
5			Control block electric cpl., Variants Parts List	
	2501120680	1	Control block electric cpl., with 2/2-way solenoid valve; 3/8"; 230V 50Hz; FPM; NO; PN16	See Single Parts, Control Block Electric
	2501120681	1	Control block electric cpl., with 2/2-way solenoid valve; 3/8"; 24V 50Hz; FPM; NO; PN16	See Single Parts, Control Block Electric
	2501120682	1	Control block electric cpl., with 2/2-way solenoid valve; 3/8"; 110V; 50-60Hz; FPM; NO; PN16	See Single Parts, Control Block Electric
	2501120683	1	Control block electric cpl., with 2/2-way solenoid valve; 3/8"; 24V; DC; FPM; NO; PN16	See Single Parts, Control Block Electric
6		1	Intake control cpl.	See Single Parts, Intake Control and Intake Filter
7		1	Intake filter cpl.	See Single Parts, Intake Control and Intake Filter
8			Front cover cpl., Variants Parts List	
		1	Front cover cpl.	See Single Parts Front Cover
[ ]		1	Front cover cpl.; with dust cover	Not shown in drawing



Screw compressor NK 200 - Maintenance Kit, Bearing and Shaft Sealing

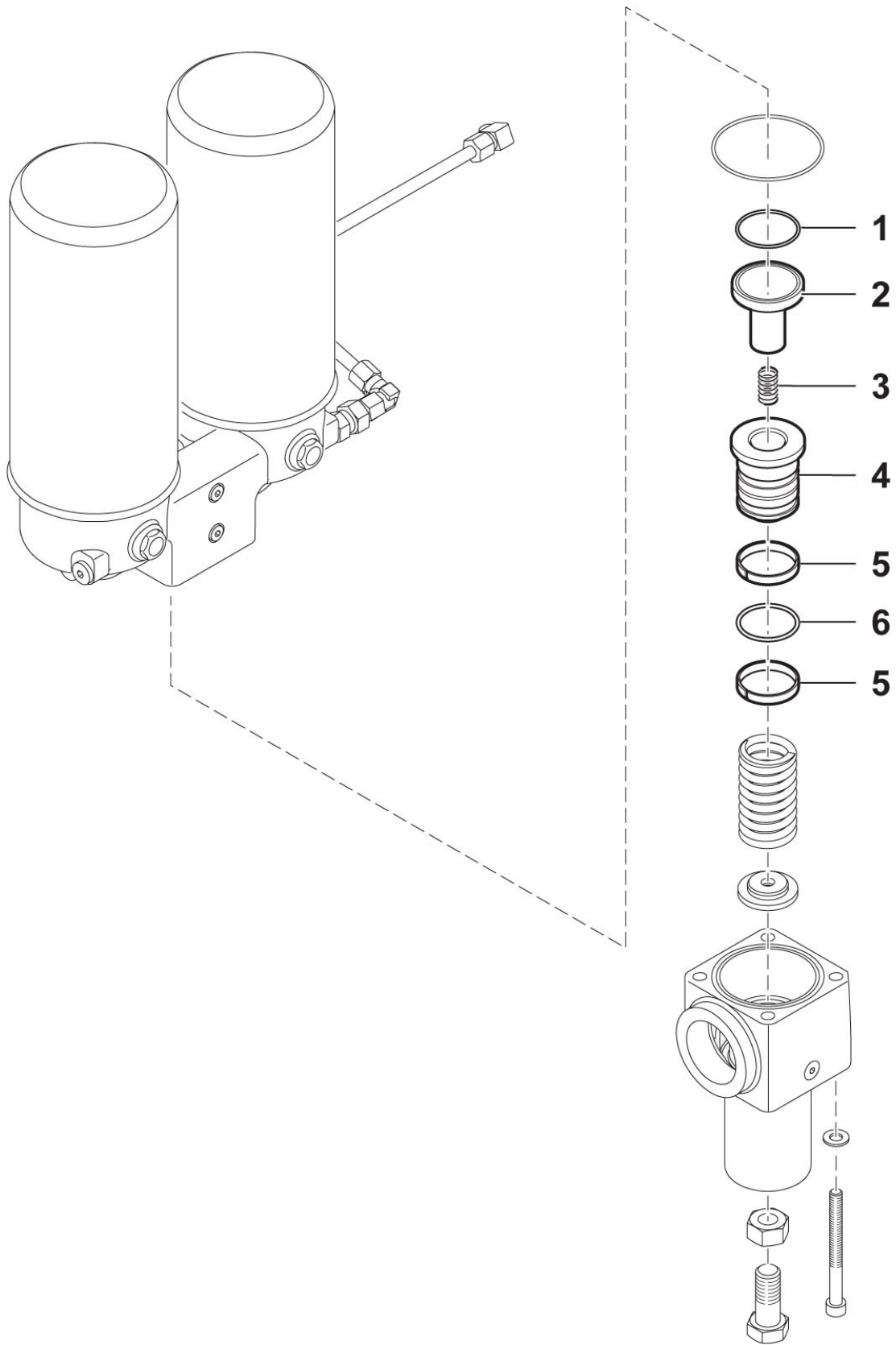


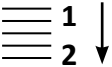
 1 ↓  2 ↓	<b>A-Z</b>	<b>Pump Unit APV250</b> Model year 2018 -	Date: 01-2019
			90

**Screw compressor NK 200 - Maintenance Kit, Bearing and Shaft Sealing**

Pos. no.	Item no.	Pcs.	Description	Note
A	250187215	1	Maintenance Kit Bearing	
1	2501N28867	1	O-ring	
2	2501110265	1	O-ring	
3	2501111536	1	Shaft nut	
4	2501111535	1	Shaft nut	
5	2501111512	1	Taper roller bearing	
6	2501111520	1	Taper roller bearing	
7	2501111516	1	Roller bearing	
8	2501111515	1	Roller bearing	
9	2501100636	1	O-ring	
10	2501111532	1	O-ring	
B	2501111547	1	Maintenance Kit Shaft Sealing	
11	2501111522	1	Inner ring	
12	2501111531	1	O-ring	
13	2501111538	1	Shaft sealing ring	
14	2501110318	1	Mounting bush	
[15]	2501102017	1	Silicone	

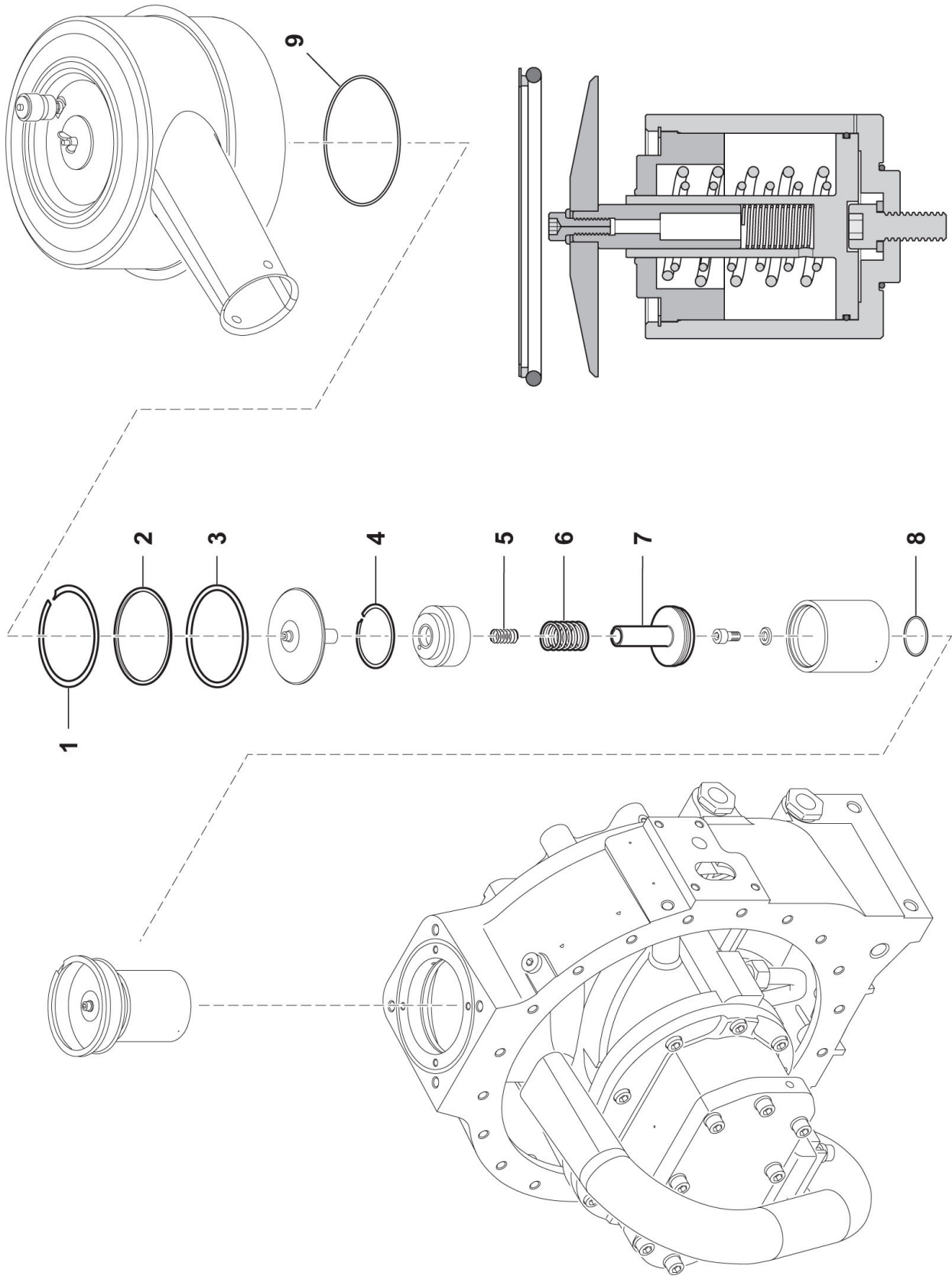
Screw compressor NK 200 - Maintenance Kit: Minimum Pressure Valve, Double Separator

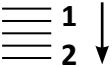


 <b>A-Z</b>	<b>Pump Unit APV250</b> Model year 2018 -	Date: 01-2019
		92

Screw compressor NK 200 - Maintenance Kit: Minimum Pressure Valve, Double Separator				
Pos. no.	Item no.	Pcs.	Description	Note
	2501N29070	1	Maintenance Kit Minimum Pressure Valve	
1	2501N29071	1	O-ring	
2	2501106426	1	Non return valve	
3	2501106427	1	Pressure spring	
4	2501106425	1	Piston package	
5	2501N29072	2	Slide ring sealing	
6	2501N29077	1	Gasket	

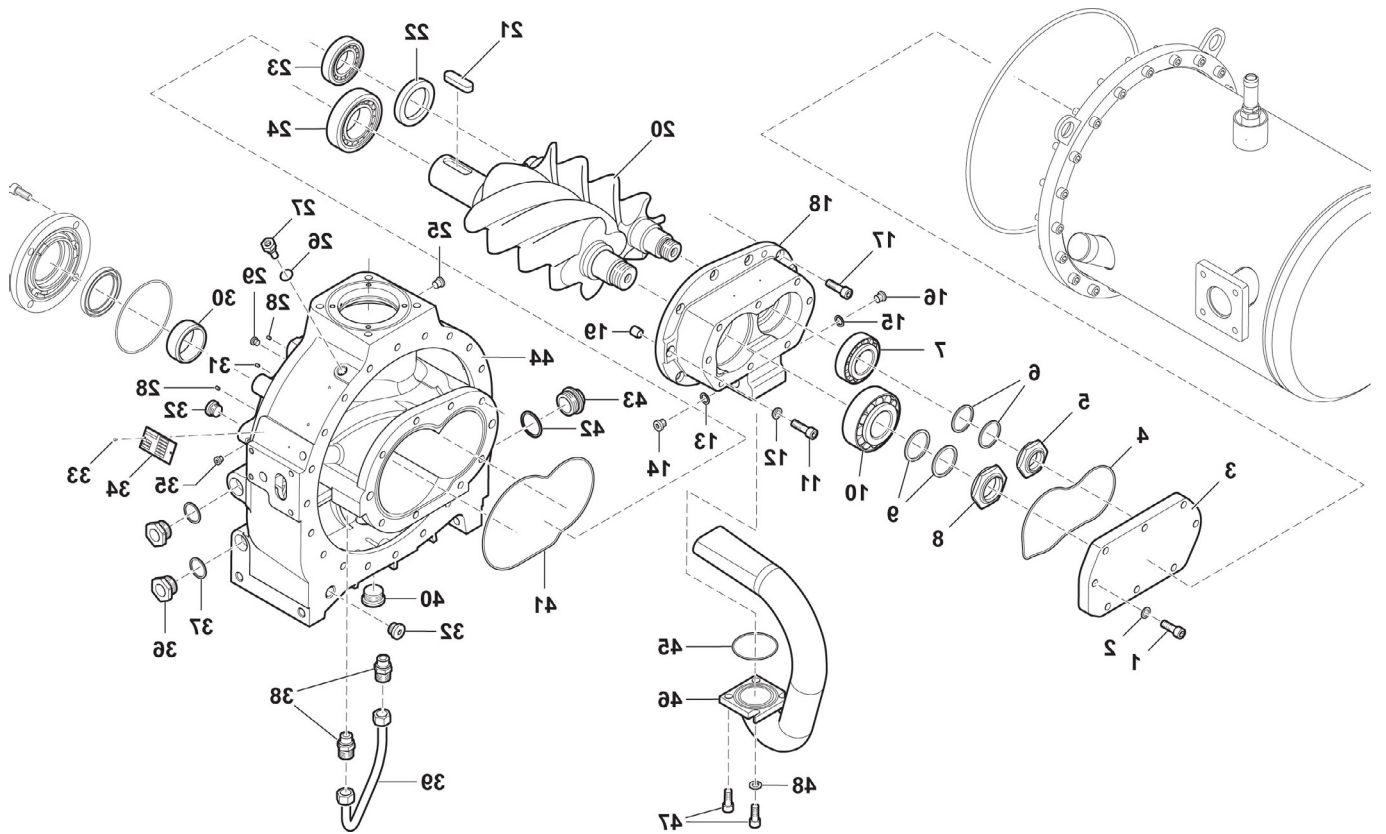
Screw compressor NK 200 - Maintenance Kit: Intake Valve

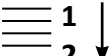


 1 ↓ 2 ↓	<b>A-Z</b>	<b>Pump Unit APV250</b> Model year 2018 -	Date: 01-2019
			94

Screw compressor NK 200 - Maintenance Kit: Intake Valve				
Pos. no.	Item no.	Pcs.	Description	Note
	2501120710	1	Maintenance Kit Intake Valve	
1	2501110946	1	Snap ring CSSS Light	
2	2501116994	1	Ring	
3	2501110363	1	O-ring	
4	2501110947	1	Snap ring CSSS Light	
5	2501N28871	1	Pressure spring	
6	2501N28872	1	Pressure spring	
7	2501110356	1	Piston cpl.	
8	2501N28868	1	O-ring	
9	2501N19123	1	O-ring	

Screw compressor NK 200 - Single Parts: Basic Module



 <b>1</b> ↓ <b>2</b>	<b>A-Z</b>	<b>Pump Unit APV250</b> Model year 2018 -	Date: 01-2019
			96

Screw compressor NK 200 - Single Parts: Basic Module				
Pos. no.	Item no.	Pcs.	Description	Note
1	2501N4569	8	Pan head screw	
2	2501111126	8	Washer	
3	250186808	1	End cover	
4	2501110265	1	O-ring	
5	2501111536	1	Shaft nut	
6	2501110227	2	Spacer	
7	2501111520	1	Tapper roller bearing	
8	2501111535	1	Shaft nut	
9	2501110226	2	Spacer	
10	2501111512	1	Tapper roller bearing	
11	2501N4569	2	Pan head screw	
12	2501111311	2	Ring	
13	2501106592	1	Sealing ring	
14	2501115409	1	Locking screw	
15	2501114250	1	Sealing ring	
16	2501112763	1	Locking screw	
17	2501114911	8	Pan head screw	
18	2501111653	1	Bearing Cover	
19	2501113365	2	Centering device	
20	2501111517	1	Rotor pair	
21	2501111533	1	Key	
22	2501111539	1	Ring	
23	2501111516	1	Roller bearing	
24	2501111515	1	Roller bearing	
25	2501N16394	1	Locking screw	
26	2501N1314	1	Sealing ring	
27	2501104565	1	Locking screw	
28	2501113932	2	Threated pin with nozzle	
29	2501N16504	1	Locking screw	
30	2501111522	1	Inner ring	
31	2501113931	1	Threated pin	
32	2501N90040	2	Locking screw	
33	2501103620	2	Pin	
34	2501110376	1	Name plate	
35	2501N16504	2	Locking screw	
36	2501111029	2	Oil level check	
37	2501N8114	2	Sealing ring	
38	2501N20075	2	Straight union	
39	250187335	1	Tube cpl.	
40	2501N16391	1	Locking screw	
41	2501111532	1	O-ring	



Date: 01-2019

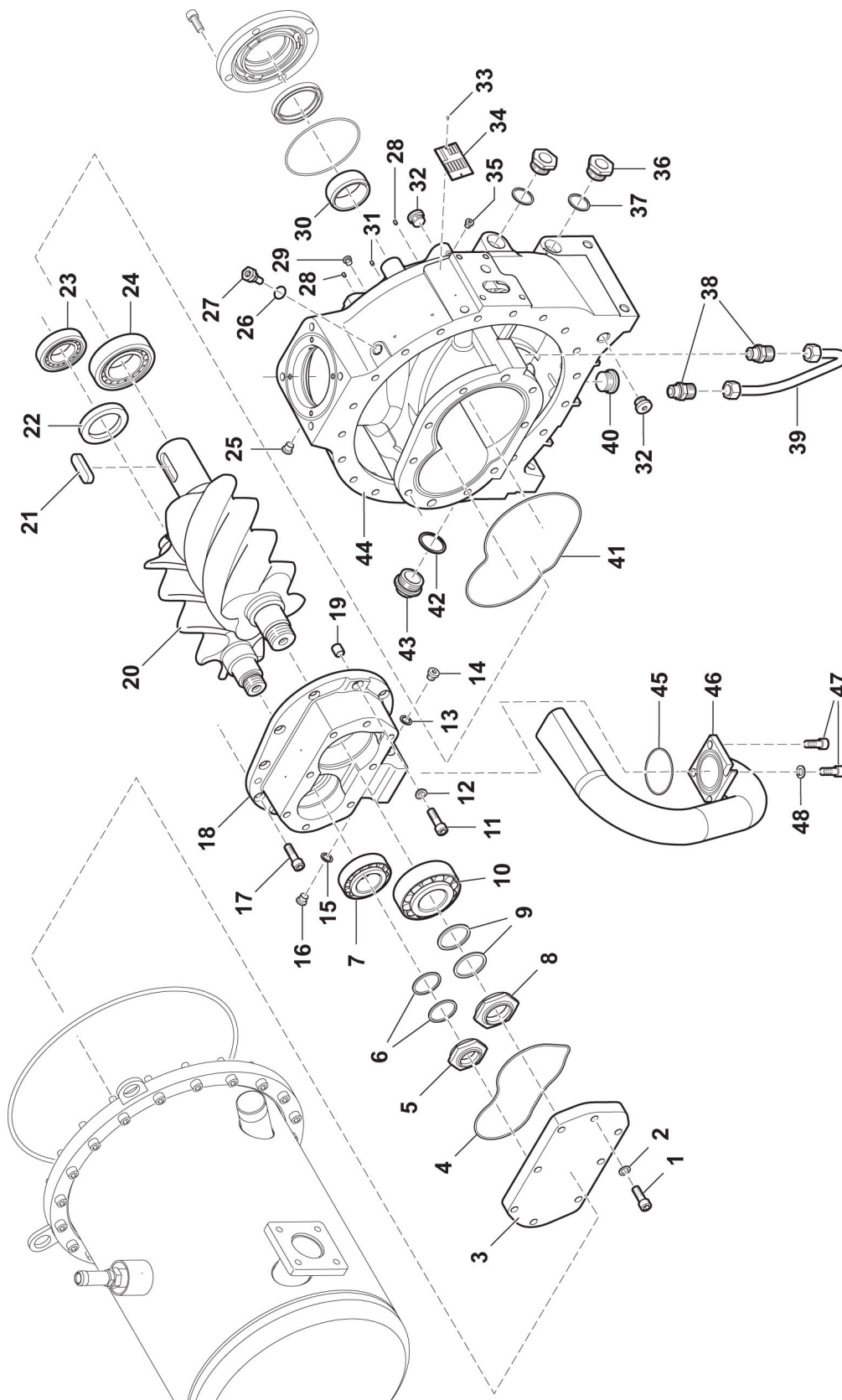
97-1

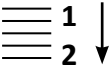
**Pump Unit APV250**  
Model year 2018 -

1 ↓  
2 ↓

**A-Z**

**Screw compressor NK 200 - Single Parts: Basic Module**



 1 ↓ 2 ↓	<b>A-Z</b>	<b>Pump Unit APV250</b> Model year 2018 -	Date: 01-2019
			98-1

Screw compressor NK 200 - Single Parts: Basic Module				
Pos. no.	Item no.	Pcs.	Description	Note
42	2501N7758	1	Sealing ring	
43	2501114993	1	Locking screw	
44	2501110662	1	Housing	
45	2501100636	1	O-ring	
46	250185180	1	Outlet tube	
47	2501112765	4	Pan head screw	
48	2501103582	2	Lock washer	

Date: 01-2019

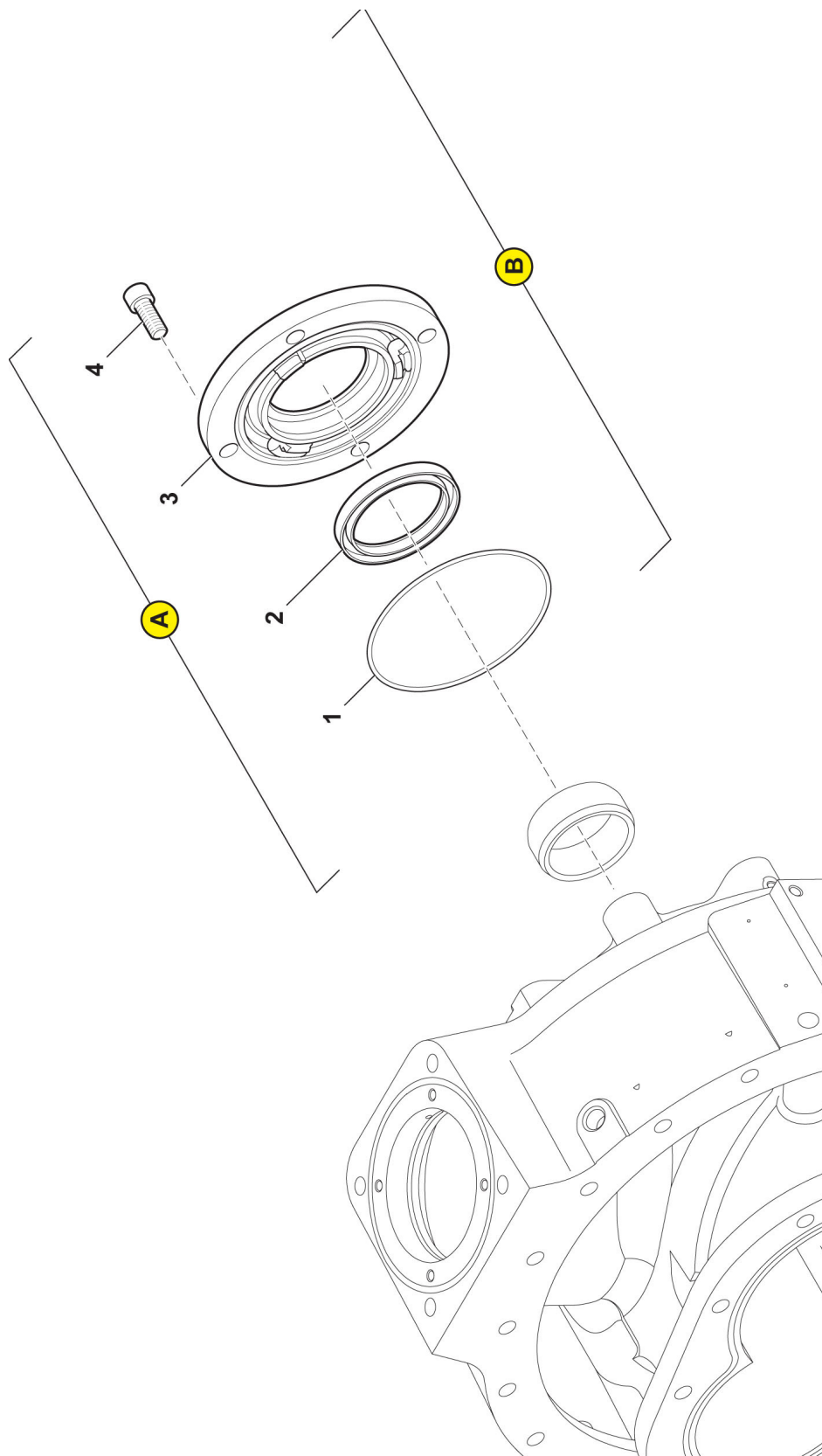
99

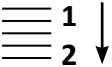
**Pump Unit APV250**  
Model year 2018 -

≡ 1 ↓  
≡ 2 ↓

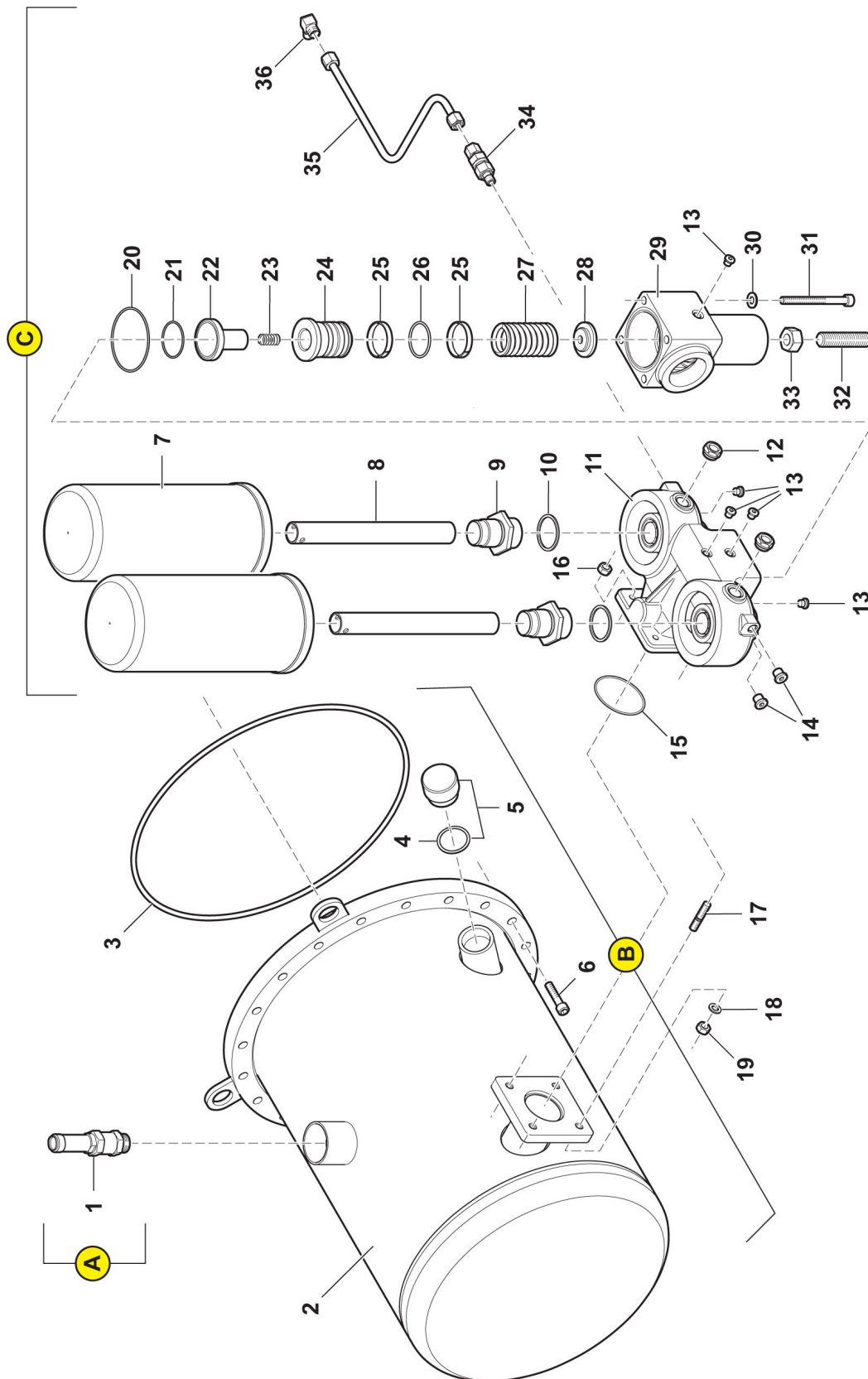
**A-Z**

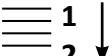
**Screw compressor NK 200 - Single Parts: Front Cover**



 1 ↓ 2 ↓	<b>A-Z</b>	<b>Pump Unit APV250</b> Model year 2018 -	Date: 01-2019
			100

Screw compressor NK 200 - Single Parts: Front Cover				
Pos. no.	Item no.	Pcs.	Description	Note
A	2501120125	1	Front Cover cpl.; Standard	
1	2501111531	1	O-ring	
2	2501111538		Shaft sealing ring	
3	2501111514	1	Front cover	
4	2501112765	4	Pan head screw	
B	250187866	1	Front cover cpl.; with Dust Cover	
1	2501111531	1	O-ring	
[2]	250187860		Shaft sealing ring with dust cover	
3	2501111514	1	Front cover	
4	2501112765	4	Pan head screw	

**Screw compressor NK 200 - Single Parts: Separator vessel and Double separator**


 <b>1</b> ↓ <b>2</b> ↓	<b>A-Z</b>	<b>Pump Unit APV250</b> Model year 2018 -	Date: 01-2019
			102

Screw compressor NK 200 - Single Parts: Separator vessel and Double separator				
Pos. no.	Item no.	Pcs.	Description	Note
A			Front Cover cpl.	
1	25017054	1	Viton sealed safety valve; 3/4"; 10 bar	
B			Separator Vessel	
2			Separator vessel, Variants Parts List	
	250187681	1	Separator vessel (long) for Separator vessel 87849 cpl. up to 75 kW, Demister	Variant
[]	2501110812	1	Separator vessel (short) for Separator vessel 87250 cpl. up to 55 kW	Variant
3	2501N28867	1	O-ring	
4	2501115068	1	Gasket	
5	2501115100	1	Union	
6	2501115087	20	Pan head screw	
C			Double separator	
7	25030508	2	Separator cartridge	
8	2501109032	2	Tube, air guide tube	
9	2501109033	2	Double nipple	
10	2501N7758	2	Sealing ring	
11	2501110351	1	Double separator head	
12	2501115477	2	Gauge glas	
13	2501N16504	5	Locking screw	
14	2501N16394	2	Locking screw	
15	2501100636	1	O-ring	
16	2501N177	4	Hexagon nut	
17	2501N15972	4	Stud bolt	
18	2501N16	4	Washer	
19	2501N644	4	Hexagon nut	
20	2501N29082	1	O-ring	
21	2501N29071	1	O-ring	
22	2501115605	1	Non return valve	
23	2501106427	1	Pressure spring	
24	2501106425	1	Piston package	
25	2501N29072	2	Slide ring sealing	
26	2501N29077	1	Gasket	
27	2501106428	1	Pressure spring	
28	2501111289	1	Retainer	
29	2501110342	1	Valve housing	
30	2501N16	4	Washer	
31	2501N15650	4	Pan head screw	
32	2501N15653	1	Threated pin	
33	2501104791	1	Hexagon nut	
34	2501115605	1	Non return valve	
35	250186665	1	Tube with union	
36	2501N20007	1	Union	

Date: 01-2019

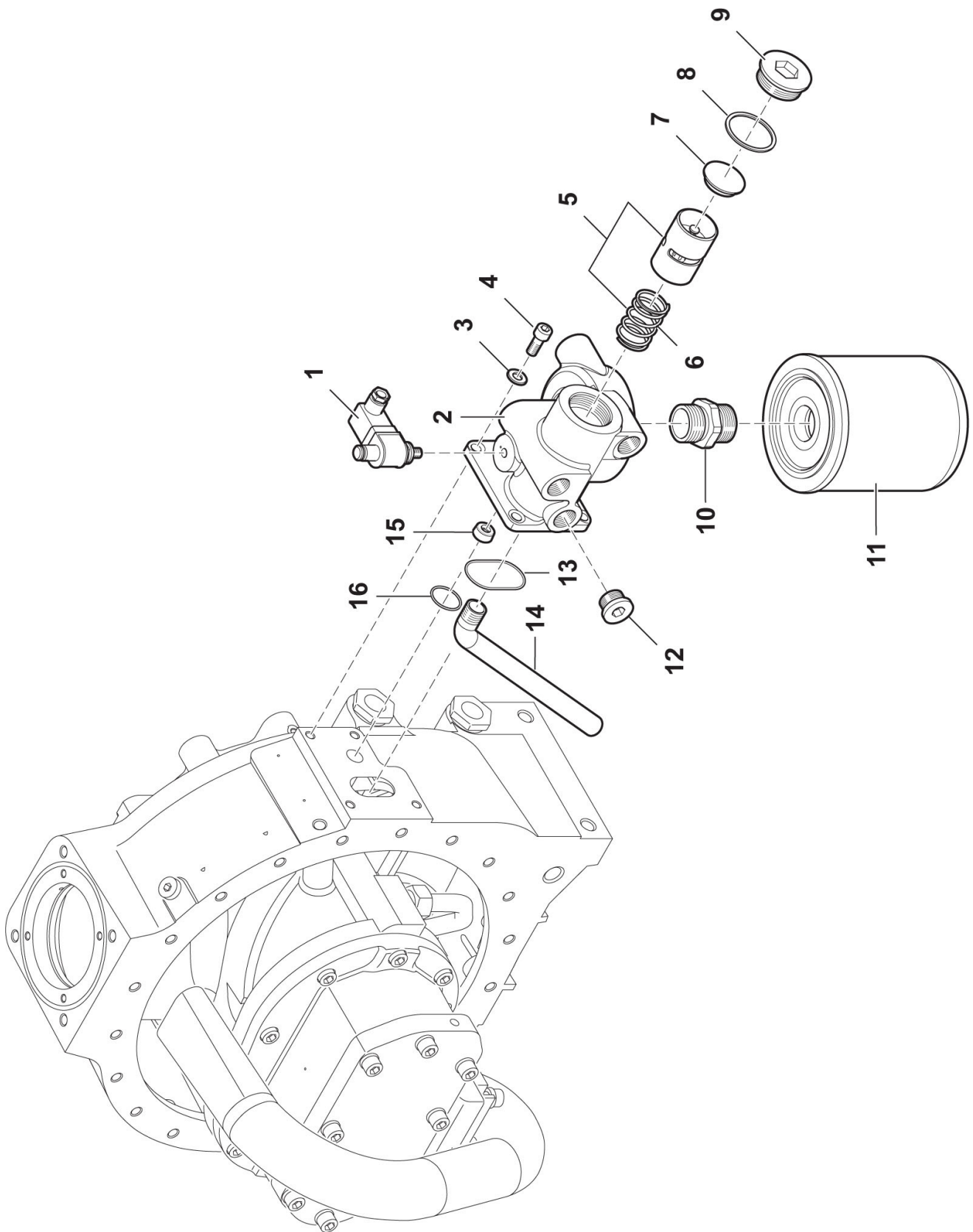
103

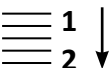
**Pump Unit APV250**  
Model year 2018 -

1  
2 ↓

**A-Z**

**Screw compressor NK 200 - Single Parts: Thermostat head**

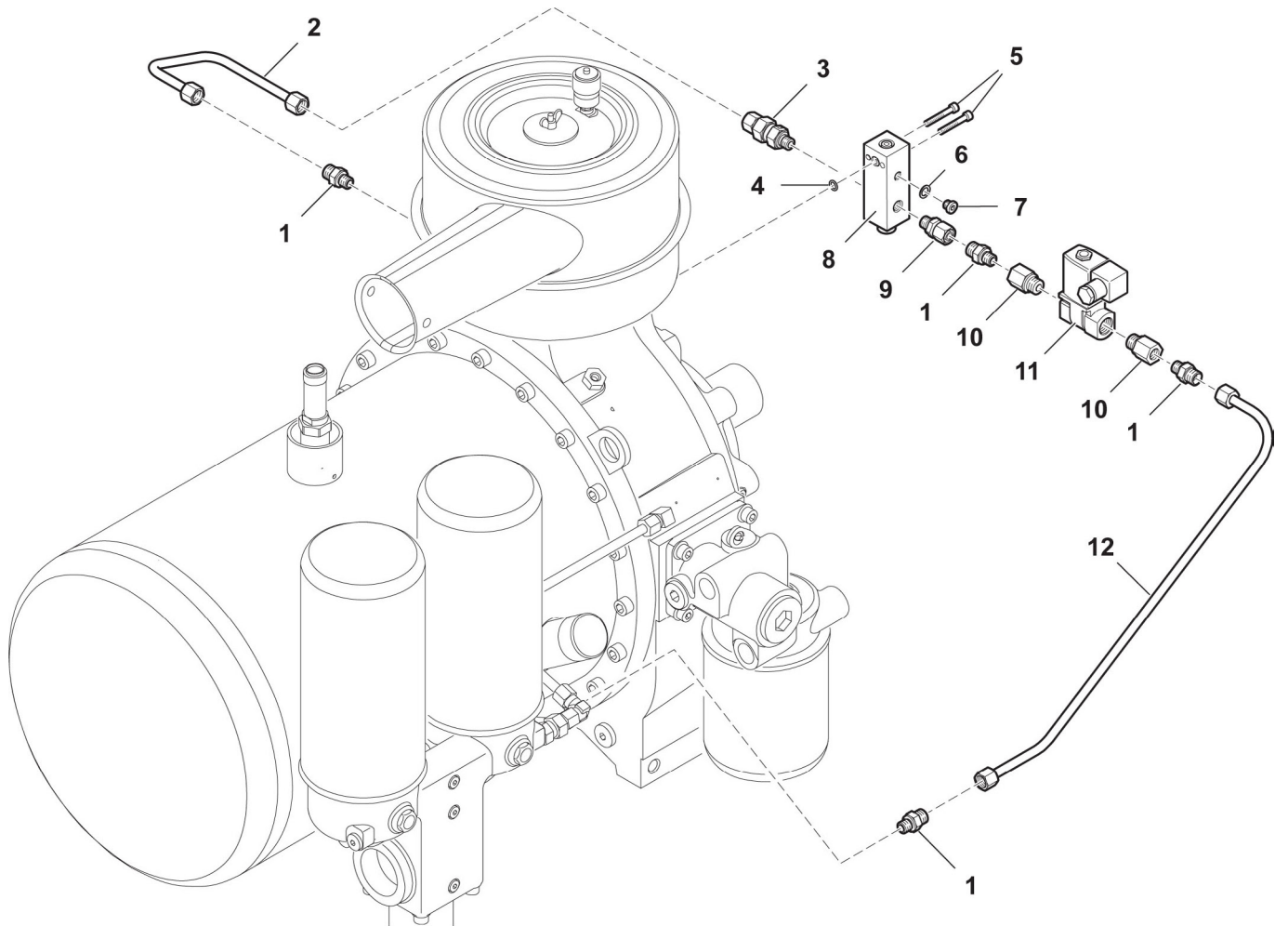


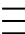
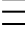
 <b>A-Z</b>	<b>Pump Unit APV250</b> Model year 2018 -	Date: 01-2019
		104

Screw compressor NK 200 - Single Parts: Thermostat head				
Pos. no.	Item no.	Pcs.	Description	Note
1	2501105572	1	Differential pressure indicator	
2	2501110326	1	Thermostat head	
3	2501N16	4	Washer	
4	2501N19566	4	Pan head screw	
5		1	Thermostat slider, Variants Parts List	
	2501110330	1	Thermostat slider with pressure spring for Thermostat head cpl. 110331 with Oil-Filter 70°	Variant
	2501N30026		Thermostat slider pressure spring for Thermostat head cpl. 86954 with Oil-Filter 83°	Variant
6	2501110329	1	Pressure spring	
7	2501120079	1	Washer	
8	2501N9522	1	Sealing ring	
9	2501N29025	1	Locking screw	
10	2501110338	1	Double nipple	
11	2501111350	1	Oil filter	
12	2501N4976	1	Locking screw	
13	2501110955	1	O-ring	
14	2501110888	1	Pipe	
15	250186694		Locking screw	
16	2501106461	1	O-ring	



Screw compressor NK 200 - Single Parts: Control Block Electric

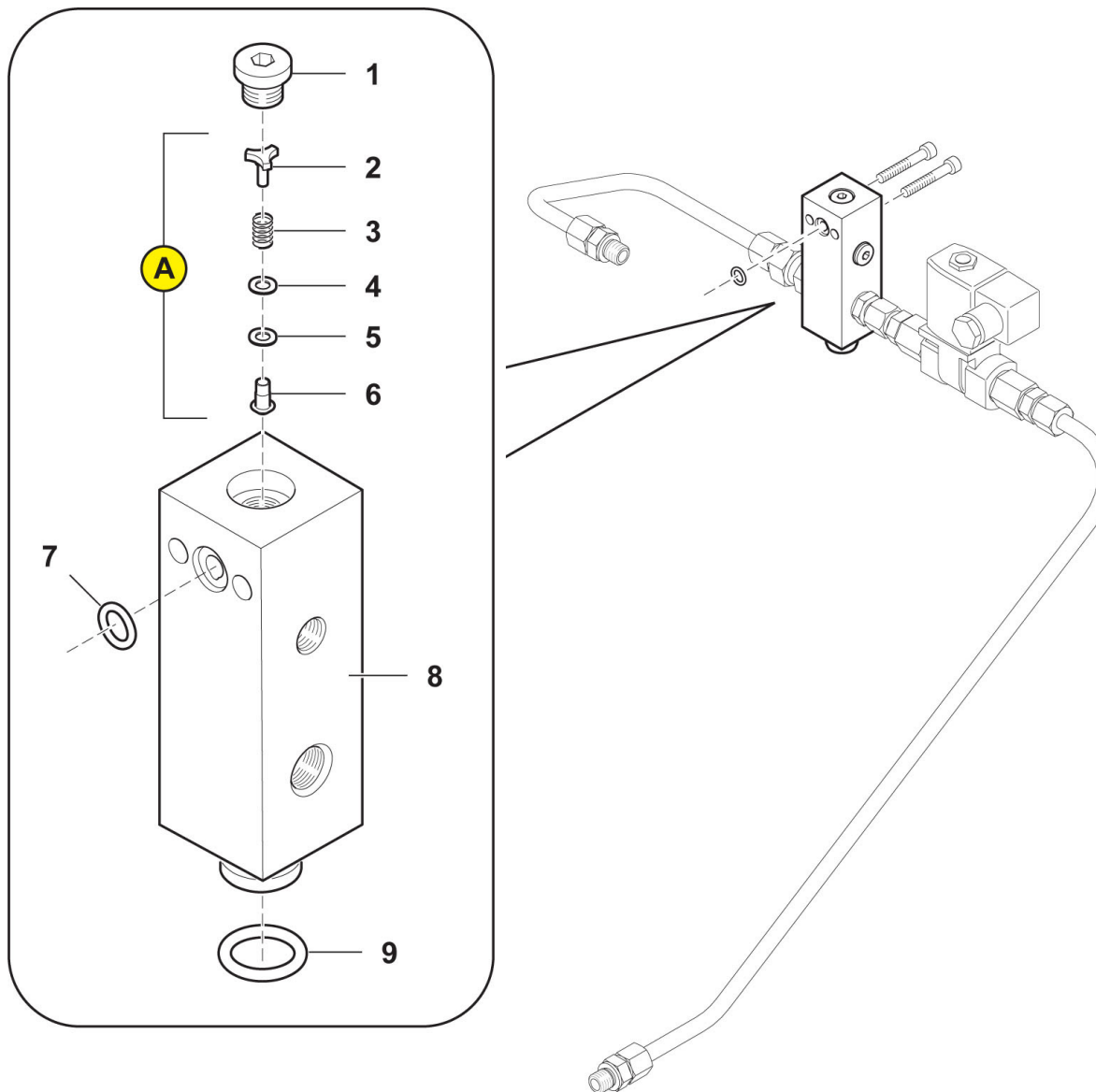


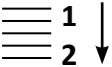
 1 ↓  2 ↓	<b>A-Z</b>	<b>Pump Unit APV250</b> Model year 2018 -	Date: 01-2019
			106

**Screw compressor NK 200 - Single Parts: Control Block Electric**

Pos. no.	Item no.	Pcs.	Description	Note
1	2501N20017	4	Straight union	
2	250186567	1	Pipe cpl.	
3	2501108106	1	Non-return-valve	
4	2501N16628	1	O-ring	
5	2501N19538	2	Pan head screw	
6	2501N4051	1	Sealing ring	
7	2501N15688	1	Locking screw	
8	250186512-KD	1	Control valve cpl.	
9	2501101908	1	Straight union	
10	2501N9941		Reducing fitting with treat	
11			Solonoid Valve, Variants Parts List	
	2501N29860	1	2/2-way solonoid valve; 3/8"; 230 V 50 Hz; FPM; NO; PN 16. For control block electric 120680	Variant
	2501N29864	1	2/2-way solonoid valve; 3/8"; 24 V; 50 Hz; FPM; NO; PN 16. For control block electric 120681	Variant
	2501N30050	1	2/2-way solonoid valve; 3/8"; 110 V; 50 - 60 Hz; FPM; NO; PN 16. For control block electric 120682	Variant
	2501N30294	1	2/2-way solonoid valve; 3/8"; 24 V; DC; FPM; NO; PN 16. For control block electric 120683	Variant
12	2501111268		Hose with screw connection	

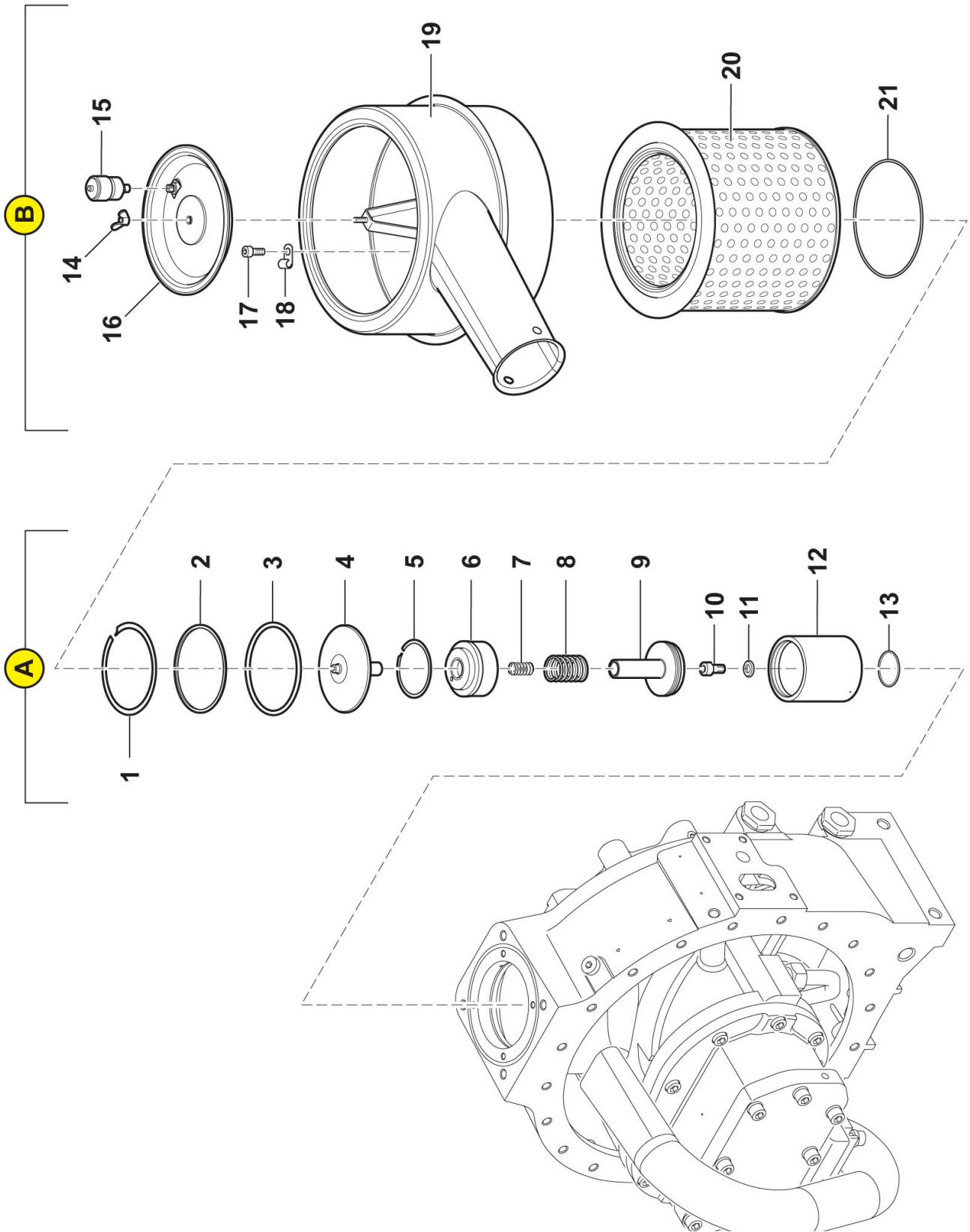
Screw compressor NK 200 - Single Parts: Electric Control Block, Control Valve

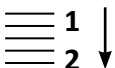


 1 ↓ 2 ↓	<b>A-Z</b>	<b>Pump Unit APV250</b> Model year 2018 -	Date: 01-2019
			108

Screw compressor NK 200 - Single Parts: Electric Control Block, Control Valve				
Pos. no.	Item no.	Pcs.	Description	Note
1	2501N16504		Locking screw	
A	2501N28955		Valve Element	Available completely only
2	2501N28954	1	Washer	
3	2501N28953	1	Pressure spring	
4	2501N28952	1	Washer	
5	2501N28950	1	Washer	
6	2501N28949	1	Cone	
7	2501N16628	1	O-ring	
8	250186566	1	Control Valve	
9	2501N28935	1	O-ring	

Screw compressor NK 200 - Single Parts: Intake Control and Intake Filter

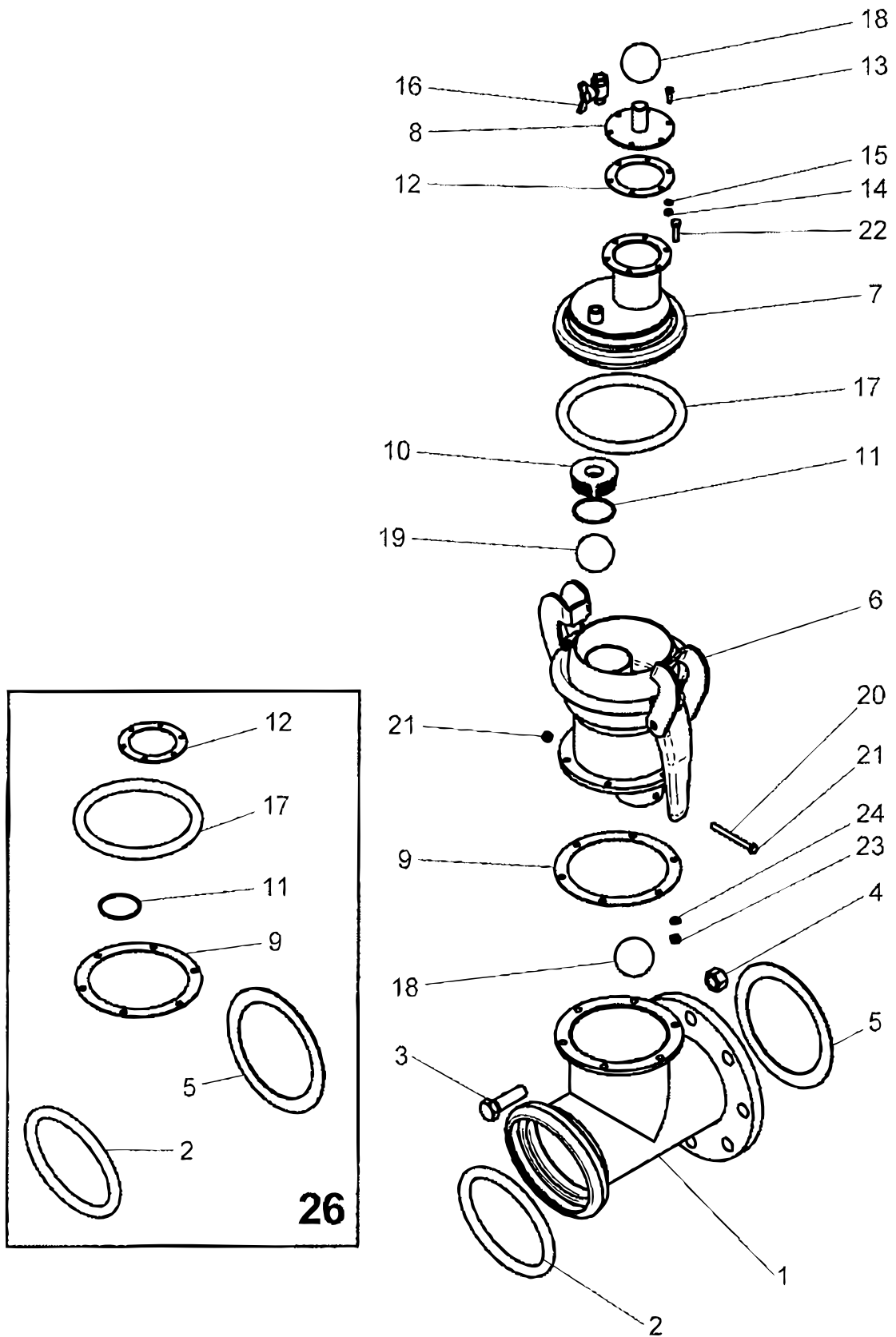


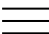
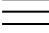
 <b>A-Z</b>	<b>Pump Unit APV250</b> Model year 2018 -	Date: 01-2019
		110

### Screw compressor NK 200 - Single Parts: Intake Control and Intake Filter

Pos. no.	Item no.	Pcs.	Description	Note
A			Intake Control	
1	2501110946	1	Snap ring CSSS Light	
2	2501116994	1	Ring	
3	2501110363	1	O-ring	
4	2501110356	1	Plate cpt.	
5	2501110947	1	Snap ring CSSS Light	
6	2501110355	1	Barrel head	
7	2501N28871	1	Pressure spring	
8	2501N28872	1	Pressure spring	
9	2501110356	1	Piston cpl.	
10	2501N1469	1	Pan head screw	
11	2501103820	1	Lock washer	
12	2501110354	1	Piston valve cylinder	
13	2501N28868	1	O-ring	
B			Intake Filter	
14	2501N36	1	Wing nut	
15	2501N2221	1	Underpressure controller	
16	2501N18904	1	Filter cap	
17	2501N19546	4	Pan head screw	
18	2501N18905	4	Clamp spring	
19	2501112016	1	Filter housing	
20	25030507	1	Intake filter cartridge	
21	2501N19123	1	O-ring	

BAUER Self-priming Unit - T-piece

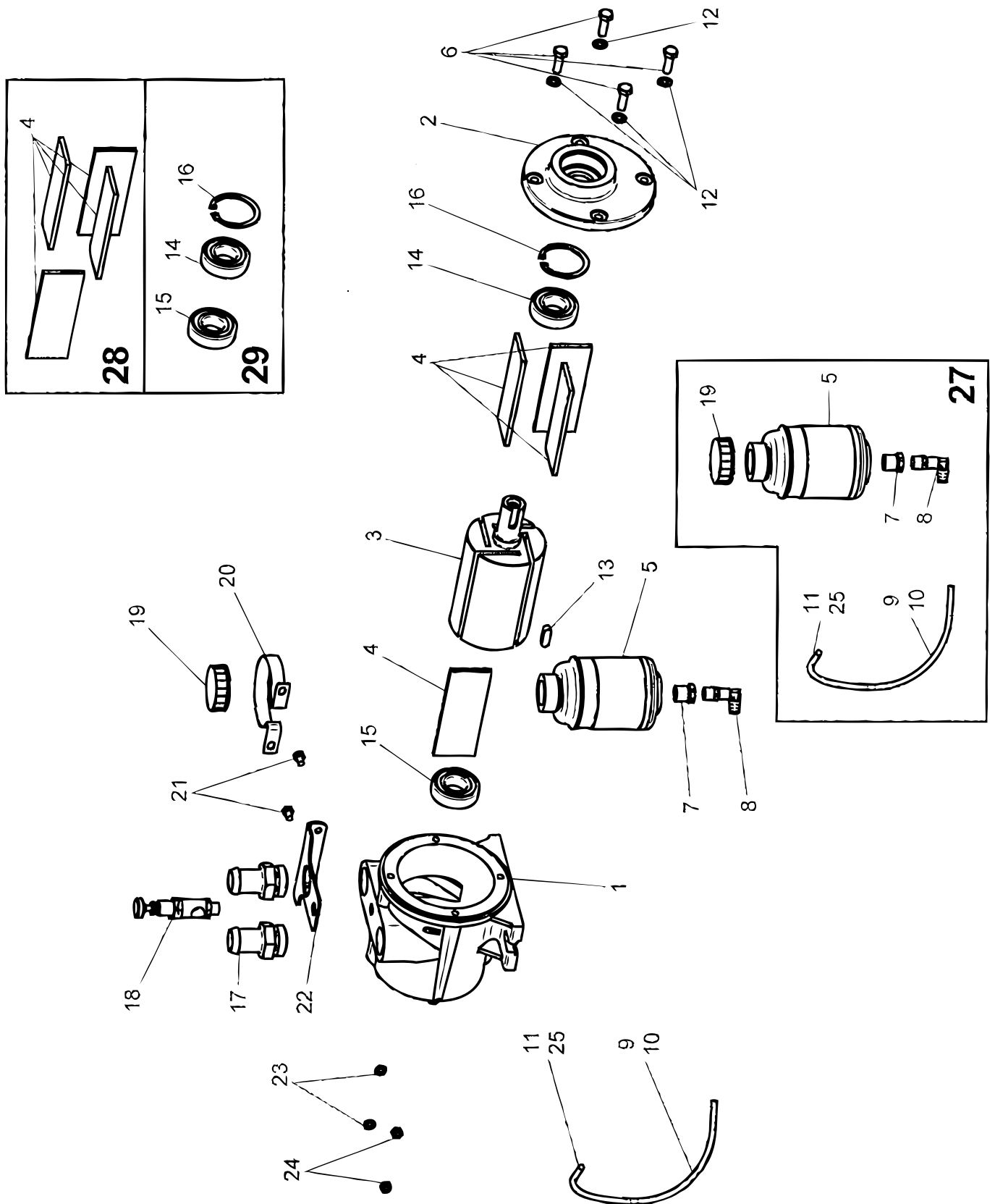


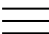
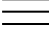
 1 ↓  2 ↓	<b>A-Z</b>	<b>Pump Unit APV250</b> Model year 2018 -	Date: 01-2019
			112

BAUER Self-priming Unit - T-piece				
Pos. no.	Item no.	Pcs.	Description	Note
1		1	Tee heavy HK159	
2		1	Rubber sealing ring S4/194	
3		8	Screw M20x70 DIN931 galv.	
4		8	Hex. nut DIN934 galv. M20	
5		1	Paper gasket NW150, ND16	
6		1	Separator, heavy	
7		1	Socket, heavy	
8		1	Connector, heavy	
9		1	Flange	
10		1	Rotating part with seal kit	
11		1	O-ring NBR70 64x3	
12		1	Cover gasket	
13		6	Hex. screw DIN933 galv. M6x20	
14		6	Hex. nut DIN934 galv. M6	
15		6	Spring washer DIN127-B6-VZ	
16		1	Ball valve male/female 3/8"	
17		1	Rubber sealing ring S4/159	
18		2	Siphon ball 60 100g	
19		1	Valve ball 160-180g	
20		1	Threaded rod DIN975 A2 RF M8 L=96	
21		2	Hex. nut DIN980 M8 self-locking	
22		6	Hex. screw DIN933 galv. M8x30	
23		6	Hex. nut DIN934 galv. M8	
24		6	Washer DIN126-9-vz.	
26	23093442150	1	Rep. Kit: Seal	



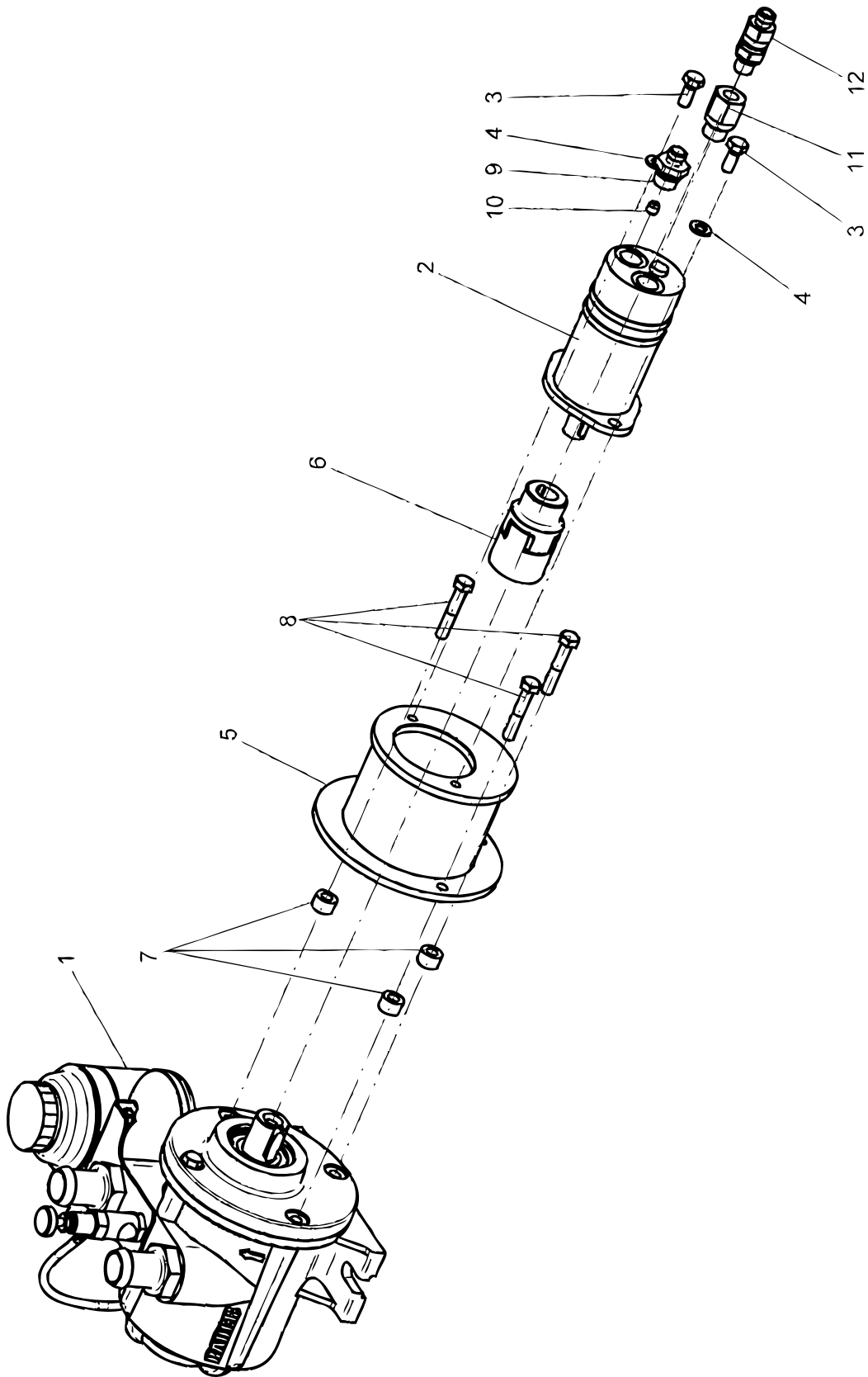
BAUER Self-priming Unit - Evacuating pump

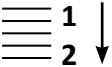


 1 ↓  2 ↓	<b>A-Z</b>	<b>Pump Unit APV250</b> Model year 2018 -	Date: 01-2019
			114

BAUER Self-priming Unit - Evacuating pump				
Pos. no.	Item no.	Pcs.	Description	Note
1		1	Housing	
2		1	Housing cover	
3		1	Rotor	
4		4	Lamelle HGW 2082 120X45	
5		1	Oil tank	
6		4	Hex screw DIN933 M8x30	
7		1	Plug, short 3/8" with 1/8" thread	
8		1	Elbow 4241-4-1/8"	
9		1	Polyamid hose 4X1 PA12	
10		2	Sleeve	
11		1	Serto SO 21-4-1/8"	
12		4	Lock washer DIN127 - B 8 galv	
13		1	Key A8X7X25	
14		1	Riku 6205 2RS	
15		1	Riku 6003 2RS	
16		1	Retaining ring DIN 472 52 X 2	
17		1	Hose nozzle 1"x27	
18		1	Oiler	
19		1	Cover	
20		1	Bracket	
21		2	Hex. Screw DIN933 M6x10	
22		1	Bracket	
23		2	Flat Washer A 6,4	
24		2	Lock nut M6	
25		1	Clamping ring	
27	23093442158	1	Repair kit: oil tank	
28	23093442160	1	Repair kit: Vanes	
29	23093442162	1	Repair kit: bearing - protection	

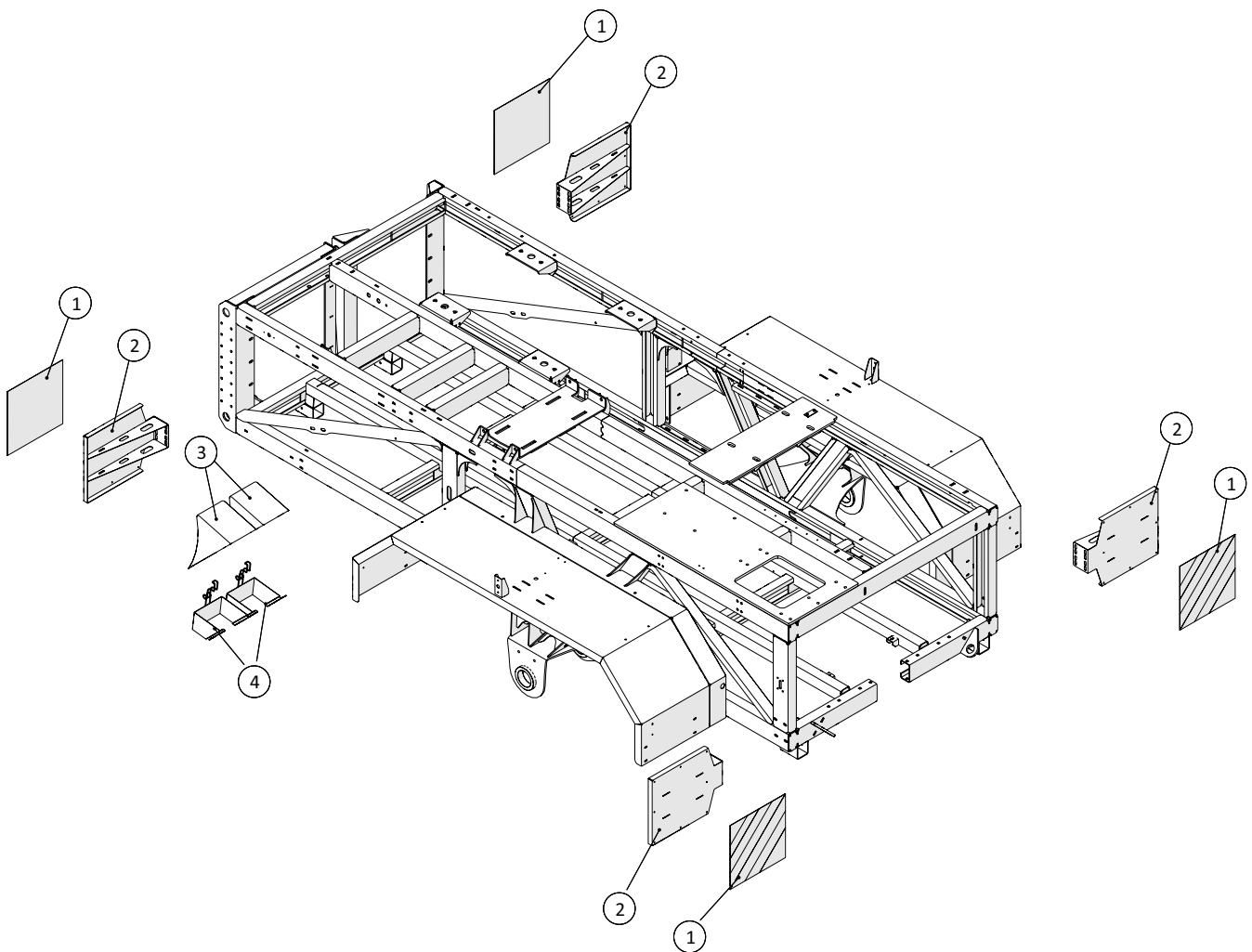
BAUER Self-priming Unit - Evacuating pump with hydro gear

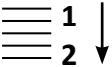


 1 ↓ 2 ↓	<b>A-Z</b>	<b>Pump Unit APV250</b> Model year 2018 -	Date: 01-2019
			116

<b>BAUER Self-priming Unit - Evacuating pump with hydro gear</b>				
Pos. no.	Item no.	Pcs.	Description	Note
1	23093431310	1	Vacuum pump	
2	23093431485	1	Hydro motor for Primer	
3		2	Hex. Screw DIN933 galv. M8x16 8.8	
4		2	Lock washer DIN127 B8 galv.	
5		1	Spacer heavy	
6	23093431495	1	Coupling	
7		3	Spacer sleeve	
8		3	Hex. Screw DIN933 M8x40	
9		1	Screw 3/8" with thread	
10		1	Throttle	
11		1	Reduction 3/8"x1/4"	
12		1	Return valve 1/4"	

TÜV



 <b>A-Z</b>	<b>Pump Unit APV250</b> Model year 2018 -	Date: 01-2019
		118

TÜV				
Pos. no.	Item no.	Pcs.	Description	Note
1	25017036	4	Reflex	
2	250181816	4	Mountingbracket for Reflex	
3	25017037	2	Stop block for TÜV	
4	25017038	2	Holder for stop block	