

Pump Unit

Spare Parts for
APV250
Model year 2012 - 2015

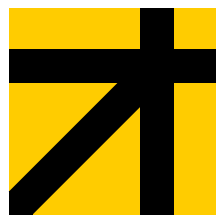
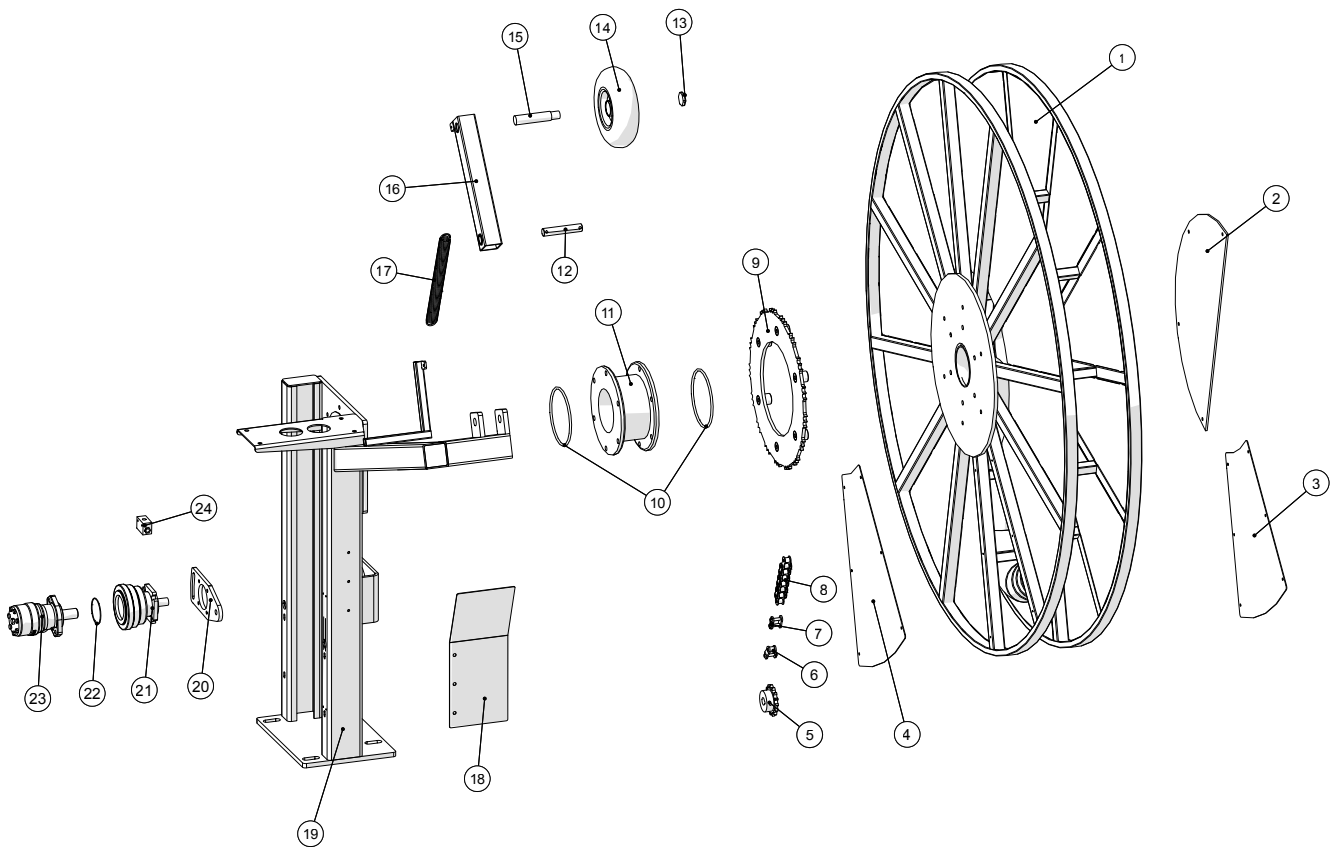


Table of Contents

Hose reel	3
Hose protection	4
Crane	5
Suction Hose	6
AGM Turbo filler 6"	7
Support Bearing Assembly	8
Hose guide rollers	9
Pipe system	10
Pipe system - Anti Cavitation.....	11
Pipe system - Flow Meter	12
Pipe system - Self-priming Unit	13
Pipe system - Water input	14
Pipe system - Air	15
Water Tank.....	16
Diesel Tank.....	17
Hydraulic	18
Radiator	19
Engine.....	20
Compressor	21
Coupling.....	22
Gear shifting function.....	23
Chassis.....	24
Control box	25
Battery Box	26
Brakes - Hydraulic	27
Brakes - Pneumatic	28
Support leg.....	29
BAUER SX2000 pump.....	30
Hub for Hydraulic brake.....	31
Hub for Pneumatic brake.....	32
Screw compressor compact module NK 200.....	33
Screw compressor NK 200 - Filter.....	34
Screw compressor NK 200 - Components	35
Screw compressor NK 200 - Maintenance Kit, Bearing and Shaft Sealing	36
Screw compressor NK 200 - Maintenance Kit: Minimum Pressure Valve, Double Separator	37
Screw compressor NK 200 - Maintenance Kit: Intake Valve	38
Screw compressor NK 200 - Single Parts: Basic Module	39
Screw compressor NK 200 - Single Parts: Front Cover	40
Screw compressor NK 200 - Single Parts: Separator vessel and Double separator.....	41
Screw compressor NK 200 - Single Parts: Thermostat head	42
Screw compressor NK 200 - Single Parts: Control Block Electric	43
Screw compressor NK 200 - Single Parts: Electric Control Block, Control Valve	44
Screw compressor NK 200 - Single Parts: Intake Control and Intake Filter	45
BAUER Self-priming Unit - T-piece	46
BAUER Self-priming Unit - Evacuating pump with hydro gear.....	47
BAUER Self-priming Unit - Evacuating pump	48

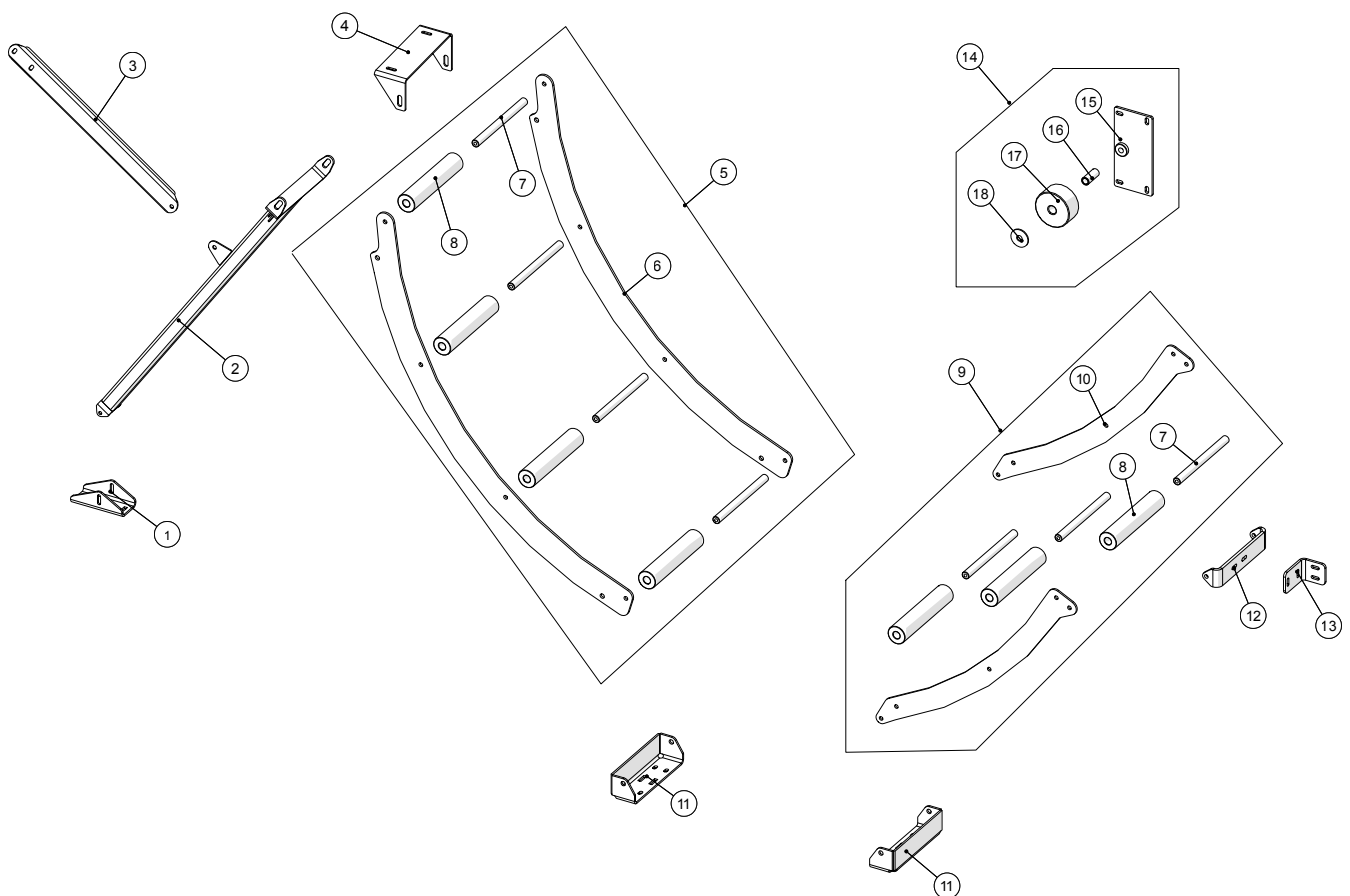
Hose reel



Pump Unit APV250 Model year 2012 - 2015	Date: 18/6-2015
	3

Hose reel				
Pos. no.	Item no.	Pcs.	Description	Note
1	2501790415	1	Hose reel	
2	2501790415-12	1	Removable plate	
3	250179785	1	Removable plate outside	
4	250179787	1	Removable plate inside	
5	25017275	1	Chain wheel ¾" z=15	
6	1535191-12	1	Closing links cranked ¾"	
7	1535191-11	1	Closing links ¾"	
8	15351911	1	Roller chain ¾"	
9	2501790420	1	Plate wheels for hose reel ¾" z=85	
10	21040837	2	O-ring for slewing ring	
11	21040820	1	Slewing ring MZ DN150	
12	2501790480	1	Pin	
13	15110611575	1	Nut M16x1, 5	
14	25017329	1	Crane wheel	
15	25017345	1	Shaft 25mm	
16	25030122	1	Lever for wheel	
17	1514004232350	1	Tension spring Ø32x3,5x88vx350	
18	2501790410-07	1	Chain guard	
19	250180071	1	Hose reel Stand	
20	2501790421	1	Console for S.A.H.R brake	
21	2514851451	1	S.A.H.R brake	
22	2514851451-1	1	O-ring	
23	25017265	1	Oil motor OMR 200 HPS Ø25 DANFOSS	
24	25017270	1	Exchange valve VT-1/4	

Hose protection



Pump Unit APV250
Model year 2012 - 2015

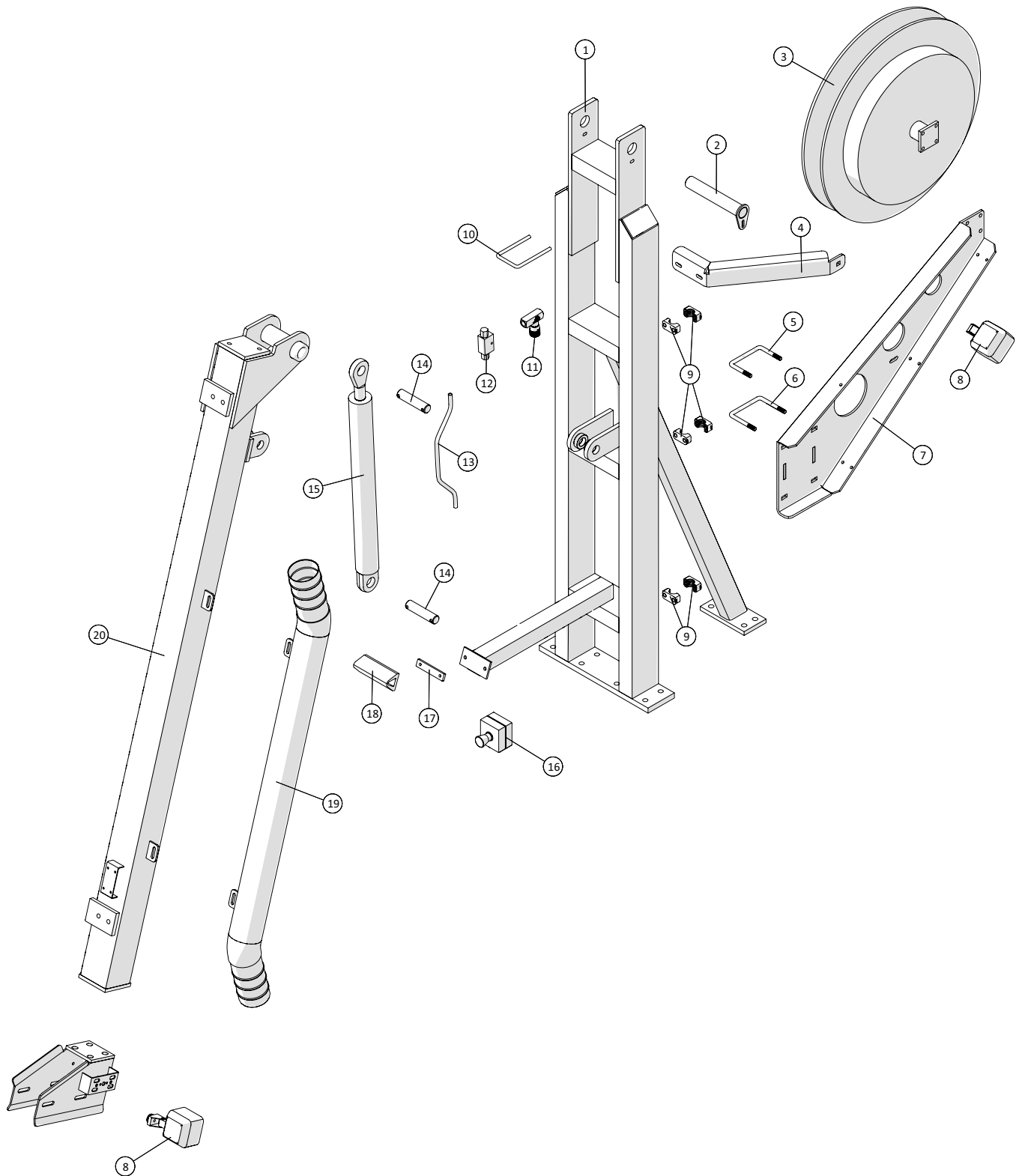
Date: 18/6-2015

4

Hose protection

Pos. no.	Item no.	Pcs.	Description	Note
1	250180615	1	Bottom attachment for hose guide	
2	250180541	1	Cross brace for hose guide	
3	250180542	1	Cross brace for roof	
4	250180502	1	Bracket for roof	
5	250180546	1	Hose protection	
6	250180514	2	Hose protection plate	
7	250180515	7	Shaft for hose reel	
8	250180516	7	POM roller for hose	
9	250180551	1	Small hose guide	
10	250180547	2	Side plate for small hose guide	
11	250180537	2	Bracket for hose guide	
12	250180549	1	Clamp for hose guide	
13	250180550	1	Bracket for clamp for hose guide	
14	250180635	1	Roller by crane stand	
15	250180640	1	Backplate for roller by crane stand	
16	250180641	1	Shaft for roller by crane stand	
17	250180636	1	Roller by crane stand	
18		1	Washer 16mm	

Crane



Pump Unit APV250
Model year 2012 - 2015

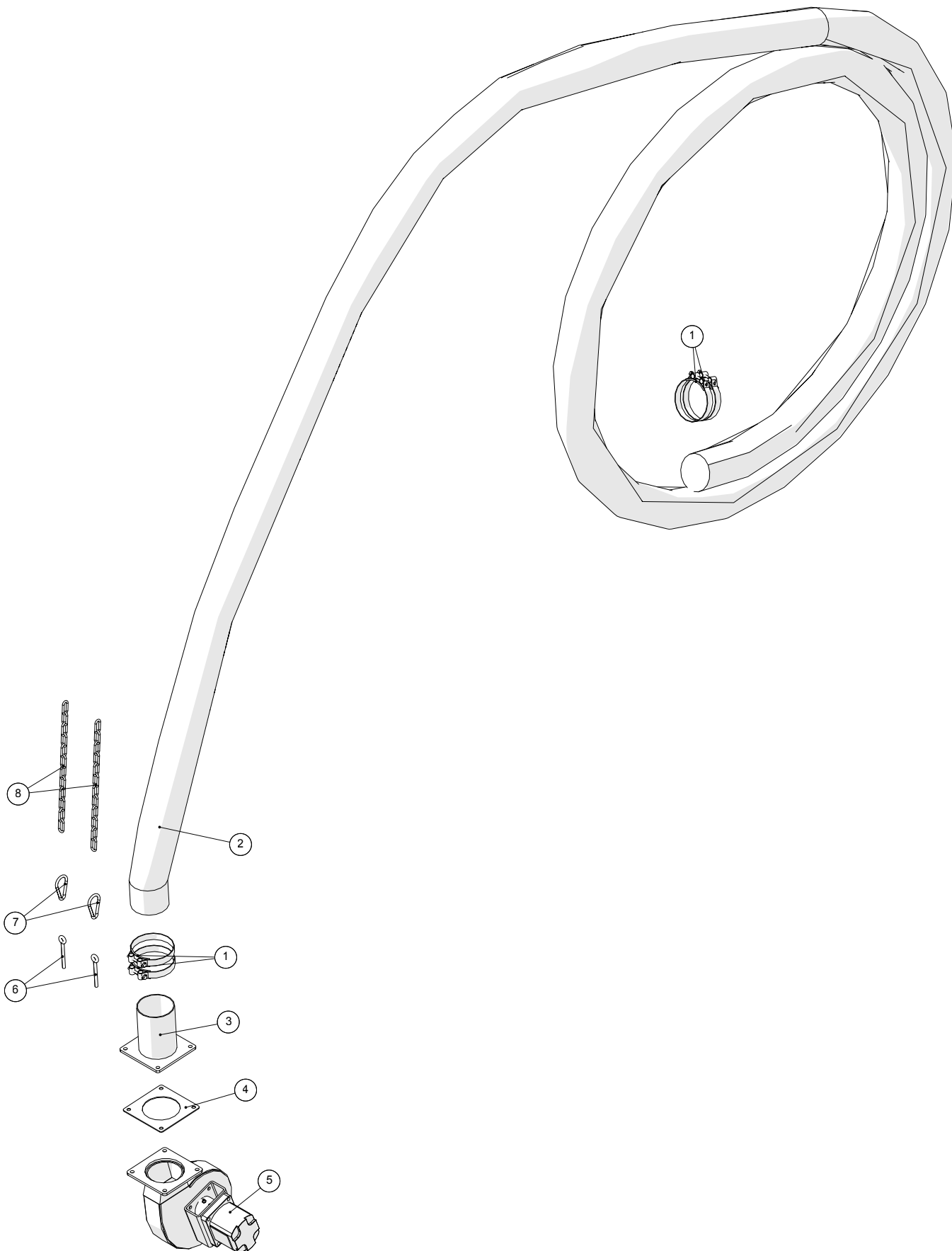
Date: 18/6-2015

5

Crane

Pos. no.	Item no.	Pcs.	Description	Note
1	250179032	1	Crane stand	
2	2501790388	1	Pin Ø40	
3	250179673-01	1	Hose reel	
4	250181329	1	Bracing for hose reel	
5	250179637	1	Bracket	
6	251476634940	1	U-clamp M12	
7	250179659	1	Suspension for hydraulic hose reel	
8	2514861061	2	Work lamp	
9	51000030-01	6	STAUFF Clamp Body, single 30mm	
10	251476634580	1	U-clamp	
11	25017200	1	Throttle-valve - TOGNELLA	
12	25017185	1	Double locking valve ¼" VBPDE	
13	2501790287	1	Hydraulic pipe for crane cylinder	
14	2501790389	2	Pin Ø30	
15	25017105	1	Hydraulic cylinder Lmin=915mm	
	250135106035	1	Seal kits for cyl. 25017105	
16	25030020	1	Emergency stop	
17	250180925	1	Mounting plate	
18	21201052	0,15m	Fender Rubber 60x50mm	
19	250180428	1	Pipe for stirring	
20	2501790325	1	Lever High Flow	

Suction Hose



Pump Unit APV250 Model year 2012 - 2015	Date: 18/6-2015
	6

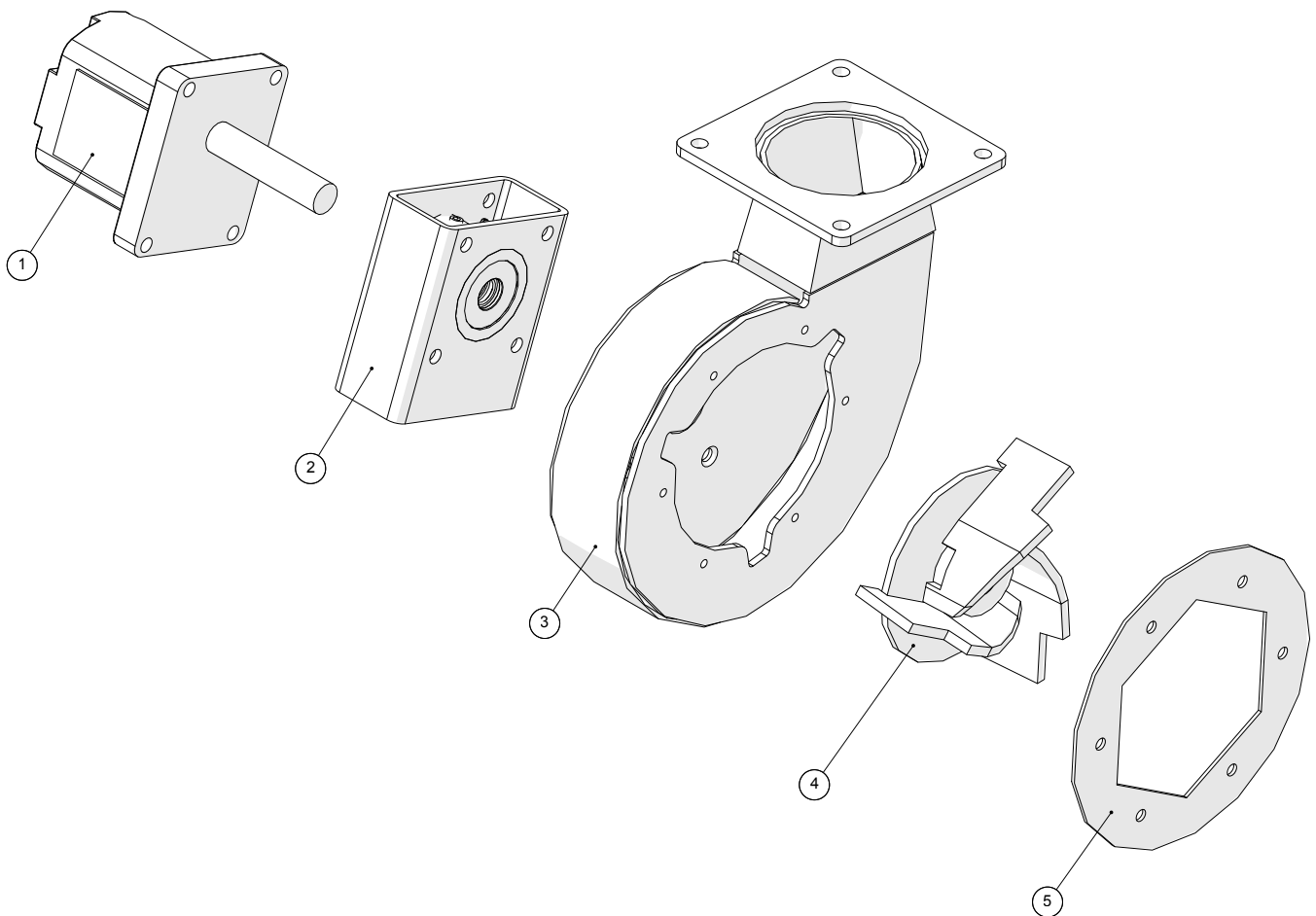
Suction Hose				
Pos. no.	Item no.	Pcs.	Description	Note
1	16200740	4	Hoseclamp 140-148mm	
2	16010180	1	HEDUFLEX rubber hose 5"/ \varnothing 127	
3	20140845	1	Hose connector 5" MZ flange x 127mm	
4	20140715	1	MZ rubber gasket 4", 5", 6"	
5	23500060	1	AGM Turbo Filler w/hydraulic engine 6"	
6	1326901085	2	Eye bolts M10x100	
7	12280102	2	Snap hook stainless steel	
8	1513KS10020110	2x0,45m	Chain	

Date: 18/6-2015

7

Pump Unit APV250
Model year 2012 - 2015

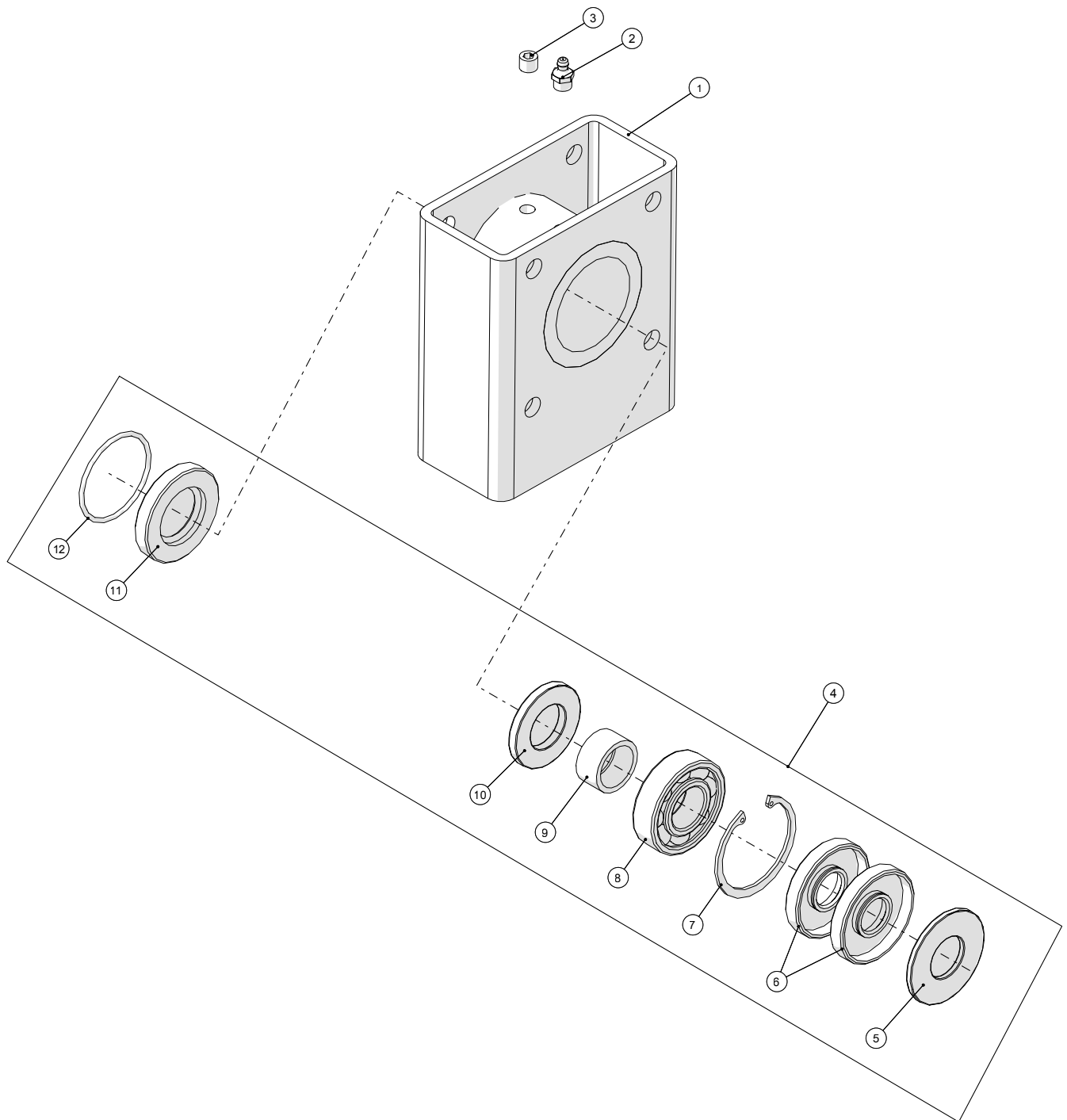
AGM Turbo filler 6"



Pump Unit APV250 Model year 2012 - 2015	Date: 18/6-2015
	7

AGM Turbo filler 6"				
Pos. no.	Item no.	Pcs.	Description	Note
1	2350218732000	1	Hydraulic engine 6"	
2	2350772562000	1	Support Bearing - complete	
3	2350771515	1	Pump housing 6"	
4	2350770112	1	Impeller 6"	
5	2350402035	1	Inlet knife	

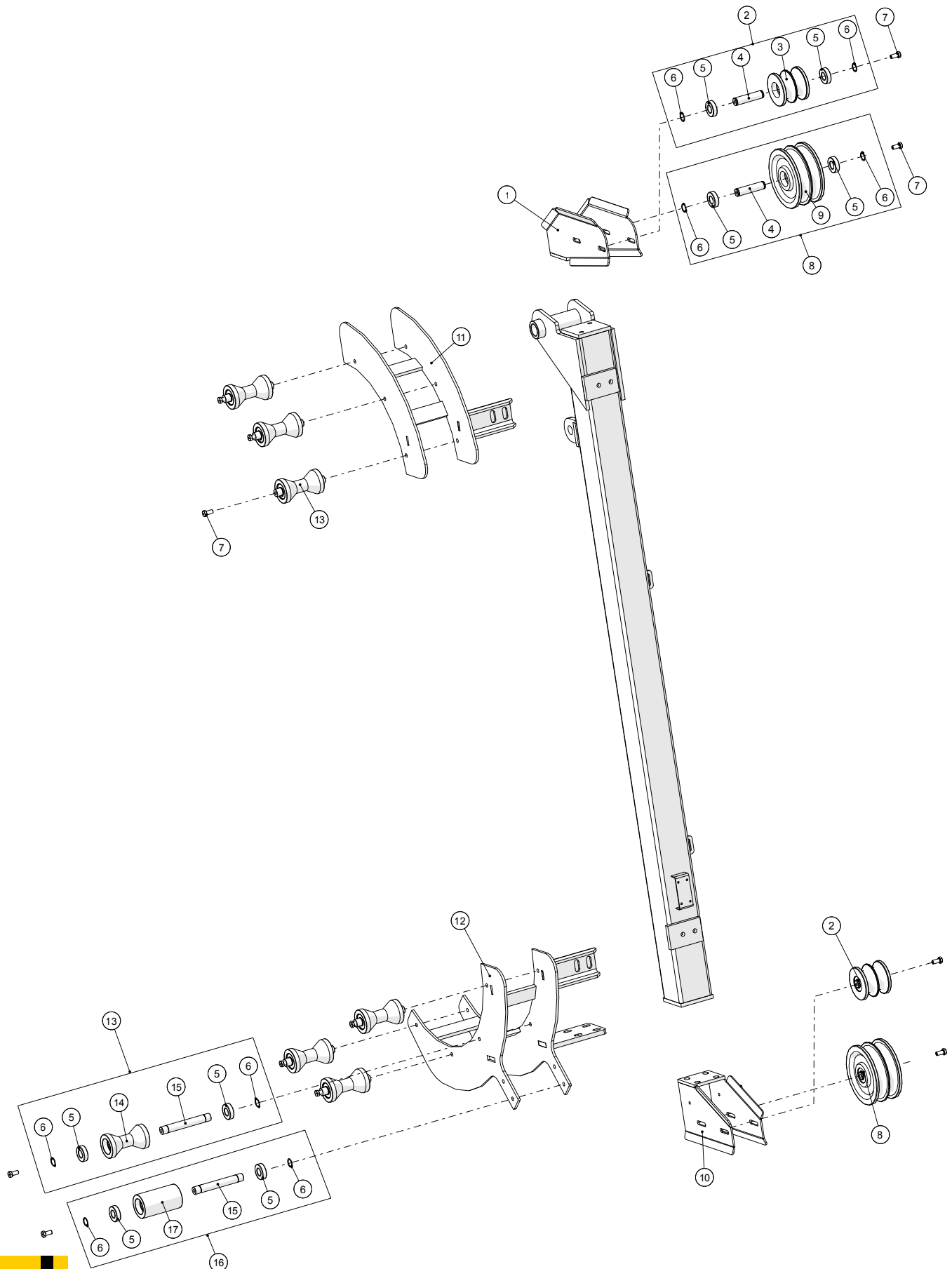
Support Bearing Assembly



Pump Unit APV250 Model year 2012 - 2015	Date: 18/6-2015
	8

Support Bearing Assembly				
Pos. no.	Item no.	Pcs.	Description	Note
1	2350772561000	1	Housing Support Bearing	
2	2350208392000	1	Grease nipple 1/8"	
3	2350228670000	1	Plug 1/8"	
4	2350772561000-1	1	Repair kit support bearing COBRA	
5	2350405991000	1	Washer $\varnothing 57 \varnothing 25,5$	
6	2350219158000	2	Simmerring 25,4x57,15x9,52	
7	2350229927000	1	Retaining ring	
8	2350218429000	1	Ball bearing SKF RLS8	
9	2350408417000	1	Spacer ring $\varnothing 32 \times \varnothing 25 \times 16$	
10	2350219162000	1	Simmerring 31,75x57,15x9,52	
11	2350405992000	1	Washer $\varnothing 50,5 \times \varnothing 27$	
12	2350219159000	1	O-ring	

Hose guide rollers



Pump Unit APV250
Model year 2012 - 2015

Date: 18/6-2015

9

Hose guide rollers

Pos. no.	Item no.	Pcs.	Description	Note
1	250179690	1	Rear suspension for reversing rollers	
2	250179749	2	Counterroller complete	
3	250179669	2	Counterroller for hydraulic hose reeling	
4	250179696	4	Shaft for roller - hydraulic hose reeling	
5	19300620502	24	Ball bearing 6205 2RS	
6	15110616037	24	Retaining ring A25	
7	2501790390	12	Lubricating Bolt (crane lever)	
8	250179748	2	Turning Roller complete	
9	250179668	2	Turning rollers for hose reels	
10	250179700	1	Rear suspension for turning rollers	
11	2501790335-01	1	Rear hose guide	
12	2501790330-10	1	Front hose guide	
13	2501790384	7	Roller - complete	
14	2501790385	7	Roller - separately	
15	2501790370	8	Shaft for roller	
16	2501790364	1	Top roller - complete	
17	2501790365	1	Top roller - separately	



Pump Unit APV250
Model year 2012 - 2015

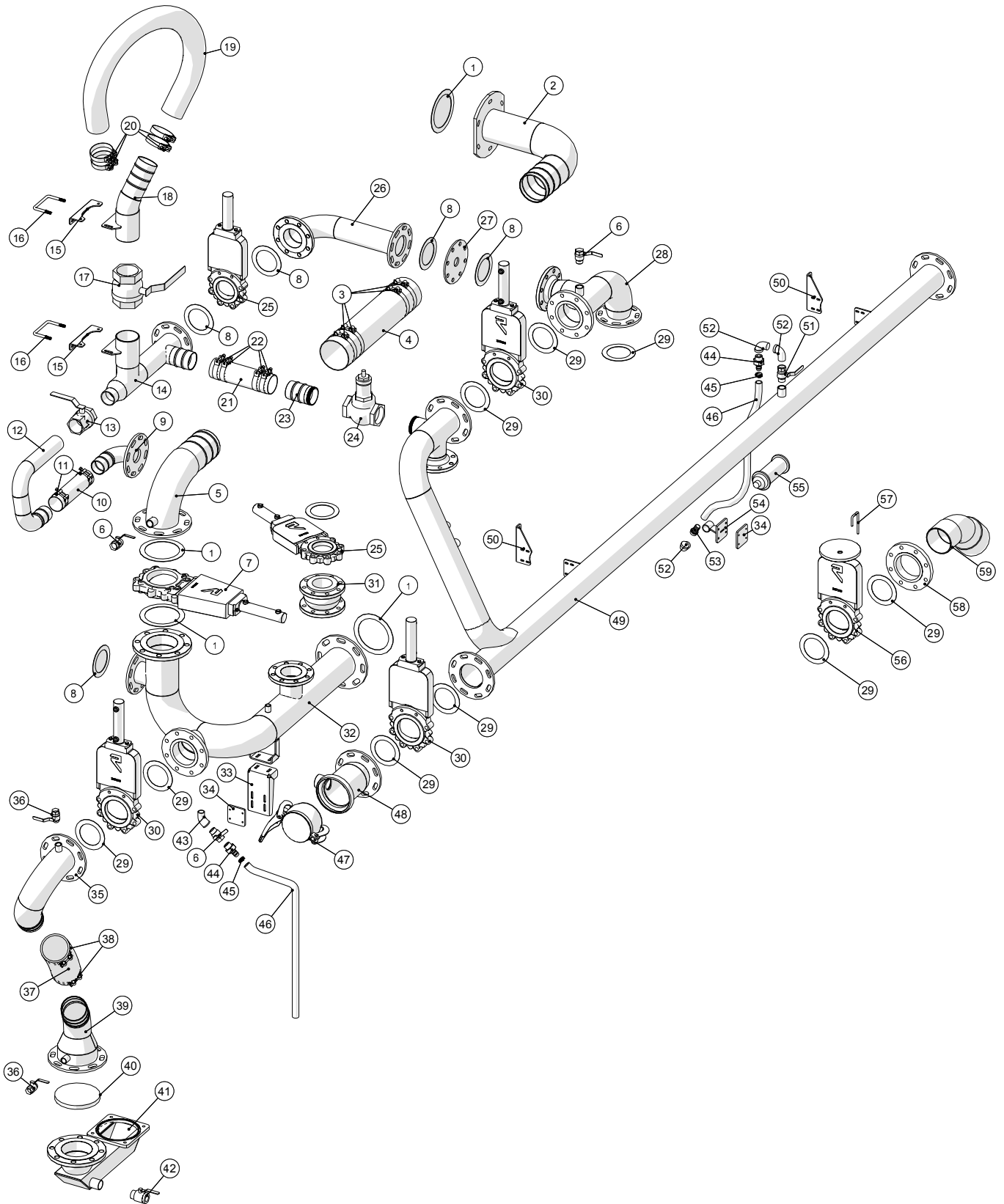
Date: 18/6-2015

10

Pipe system

Pos. no.	Item no.	Pcs.	Description	Note
1	13250555	4	Flange gasket NW150 218x169mm	
2	250180148	1	Outlet from hose reel	
3	16200744	4	Clamp 162-174mm	
4	16010185	0,8m	HEDUFLEX rubber hose 6"/Ø152	
5	250180146	1	Pipe for bypass	
6	13100068	3	Ball valve female/male 1"	
7	20144150	1	Ramus gate-valve w/cylinder DN150 6"	
8	13250546	6	Fiber Gasket NW100 162x115mm (3mm)	
9	250180983	1	Pipe 2 for switching	
10	16050200	0,3m	ARMTEX pressure hose black 2½"	
11	16200325	2	Clamp 75-85mm	
12	250180984	1	Pipe 2 sekund part for switching	
13	13100016	1	Ball valve female 2 ½"	
14	250180714	1	Pipe for switching	
15	250180334	2	Brackets for return	
16	250179637	2	Bracket	
17	13100020	1	Ball valve female 4"	
18	250180722	1	Pipe 3 for switching	
19	16010175	3m	HEDUFLEX rubber hose 4"/ Ø102	
20	16200734	4	Clamp 113-121mm	
21	16050210	0,4m	ARMTEX pressure hose black 3½"	
22	16200728	4	Clamp 92-97mm	
23	250180195	1	Short pipe for pressure	
24	13080025	1	Relief Valve w/spring 3"	
25	20144100	2	Ramus gate-valve w/cylinder DN100 4"	
26	250180372	1	Bypass pipe	
27	250179745	1	Flange Ø60 hole 4"	
28	250180185	1	Front pipe for outlet	
29	13250545	9	Flange gasket NW100 162x115mm	
30	20144125	3	Ramus gate-valve w/cylinder DN125 5"	
31	13250700DN100	1	Rubber compensator DN100 4"	
32	250180143	1	Inlet pipe	
33	250180147	1	Mounting plate for pipe	
34	250180084	2	Mounting plate	
35	250180373	1	Pipe 1 for water	
36	13100066	2	Ball valve female/male ¾"	
37	16010177	0,4m	HEDUFLEX rubber hose 4½"/ Ø110	
38	16200740	2	Clamp 140-148mm	
39	250180374	1	Pipe 2 for water	

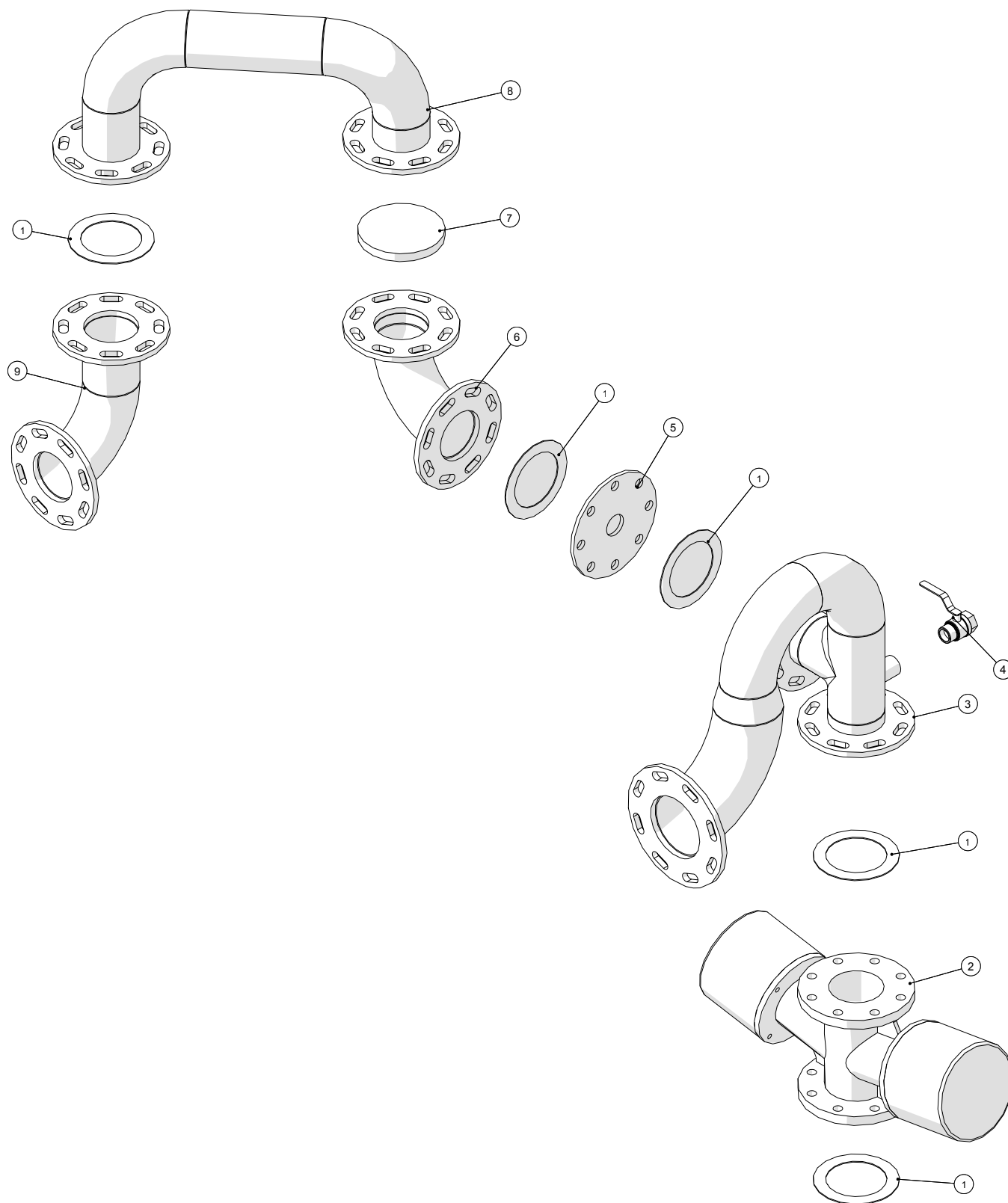
Pipe system



Pump Unit APV250 Model year 2012 - 2015	Date: 18/6-2015
	10-1

Pipe system				
Pos. no.	Item no.	Pcs.	Description	Note
40	13692125	1	Check valve INOX DN150	
41	250180376	1	Outlet pipe for water tank	
42	13100070	1	Ball valve female/male 1¼"	
43	000121408	1	Elbow 45° No.121 galv. 1"	
44	1044629425	2	Plastic connector w/BSP 1"x25mm	
45	16200666	2	Clamp 20-32mm	
46	16080240	1m	Clear reinforced hose 1" (25.0x32,0)	
47	14050125	1	BAUER HK end ball 159mm	
48	250180194	1	Pipe for ball	
49	250180186	1	Outlet pipe large	
50	250180158	2	Bracket for outlet pipe	
51	13100098	1	Ball valve female 1"	
52	000092408	3	Elbow 90° No.92 galv. 1"	
53	14250035	1	Hose connector brass w/BSP 1"	
54	250180667	1	Bracket for silencer	
55	25017552	1	Silencer	
56	20144130	1	Ramus gate valve w/handwheel DN125	
57	250180750	1	Locking pin for Ramus handwheel	
58	13250242	1	Threaded flange DS581 galv. DN125x5"	
59	25017470	1	Elbow 45° 5"x6" BSP	

Pipe system - Anti Cavitation



Pump Unit APV250 Model year 2012 - 2015	Date: 18/6-2015
	11

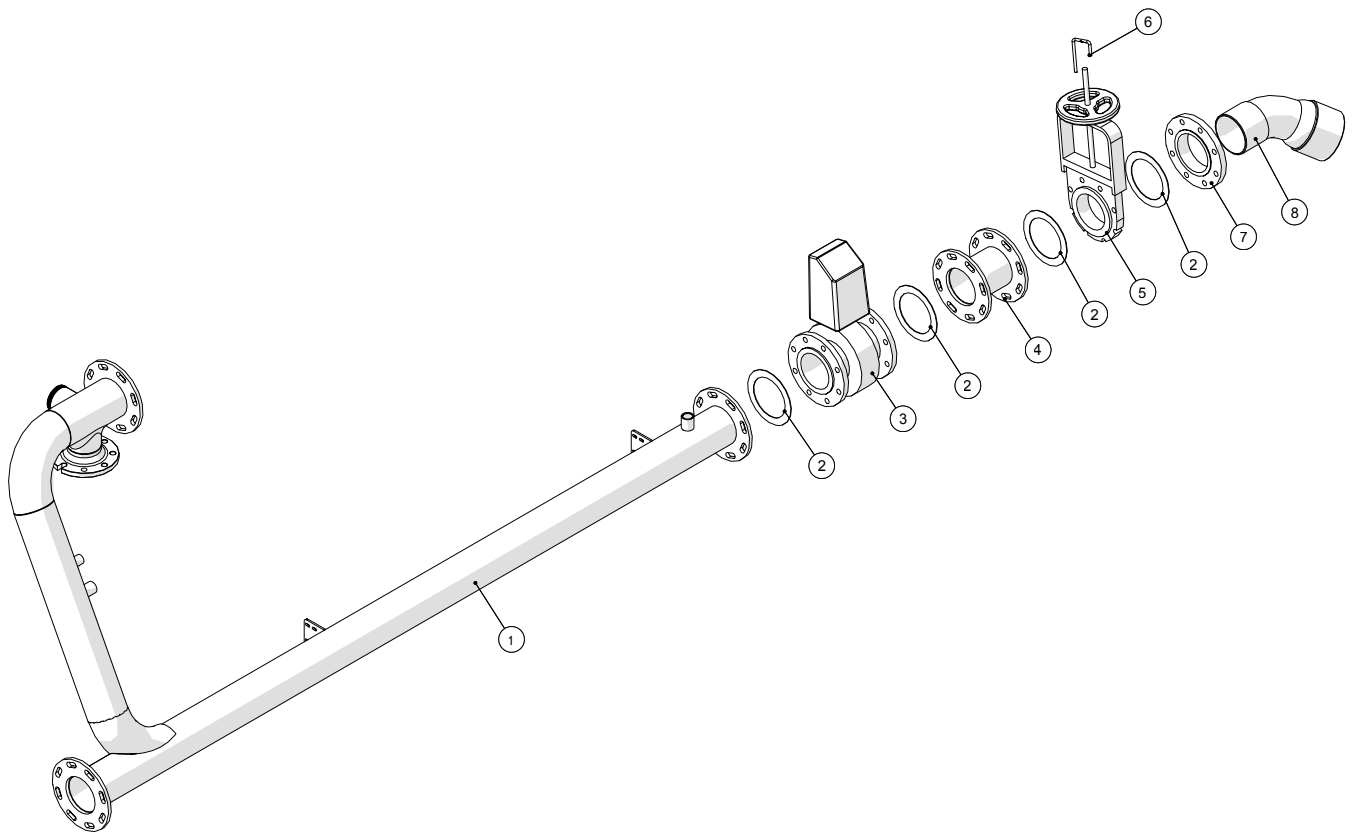
Pipe system - Anti Cavitation				
Pos. no.	Item no.	Pcs.	Description	Note
1	13250545	5	Flange gasket NW100 162x115mm	
2	23093441000	1	Anti Cavitation Valve	
3	250180752	1	Outlet pipe for pressure control valve	
4	13100068	1	Ball valve female/male 1"	
5	250179745	1	Flange Ø60 hole 4"	
6	250180761	1	Bypass pipe 1	
7	13692100	1	Check valve INOX DN100	
8	250180762	1	Bypass pipe 2	
9	250180815	1	Bypass pipe 3	

Date: 18/6-2015

12

Pump Unit APV250
Model year 2012 - 2015

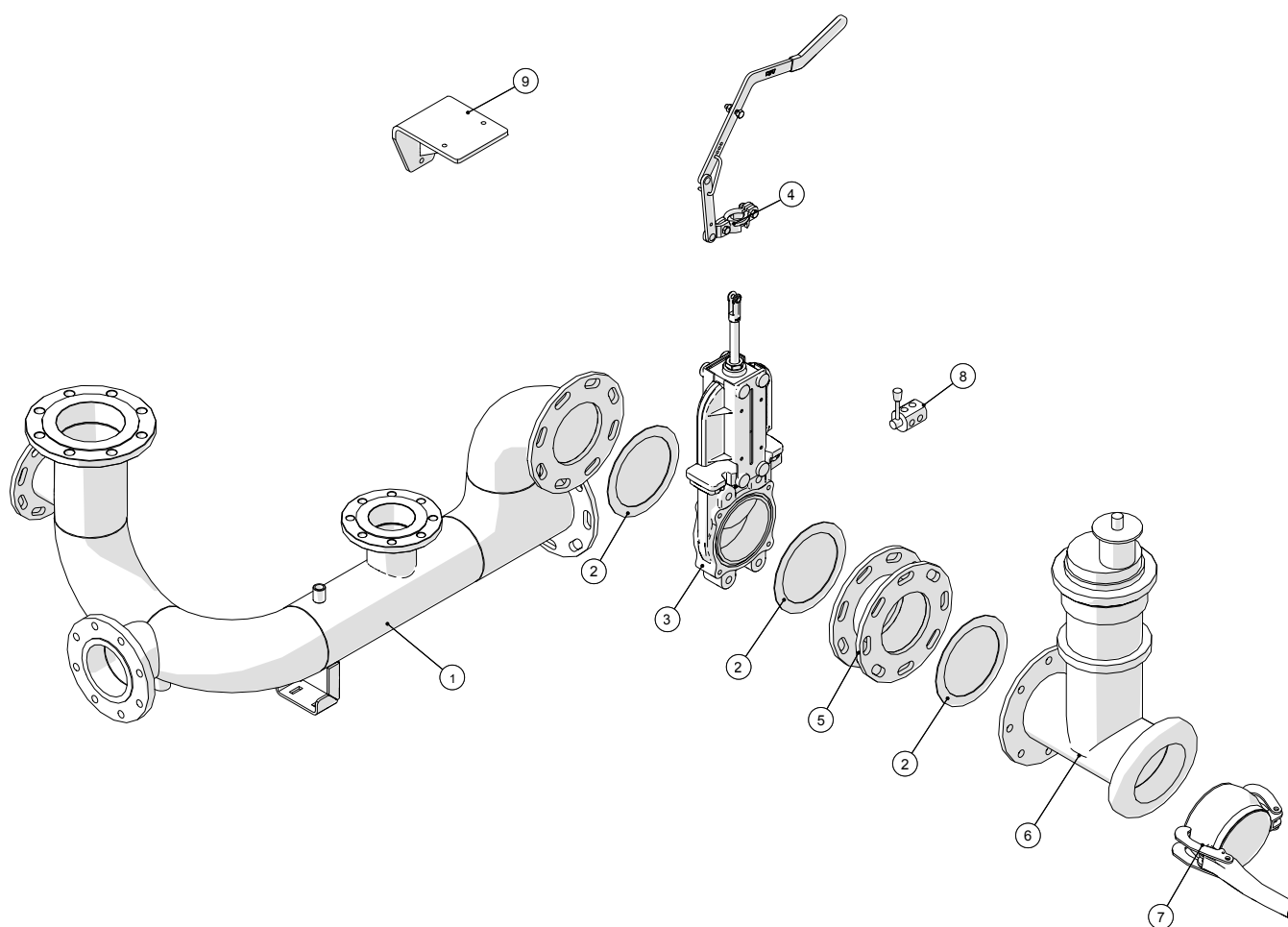
Pipe system - Flow Meter



Pump Unit APV250 Model year 2012 - 2015	Date: 18/6-2015
	12

Pipe system - Flow Meter				
Pos. no.	Item no.	Pcs.	Description	Note
1	250180960	1	Outlet pipe	
2	13250550	4	Flange gasket NW125 192x141mm	
3	2514850374	1	Flow Meter 24V MAG3100W DN125/5"	
	2513023-1		MAG500 Signal converter MK1 24Volt	
4	250180962	1	Outlet pipe	
5	20144130	1	Ramus gate valve w/handwheel DN125	
6	250180750	1	Locking pin for Ramus handwheel	
7	13250242	1	Threaded flange DS581 galv. DN125x5"	
8	25017470	1	Elbow 45° 5"x6" BSP	

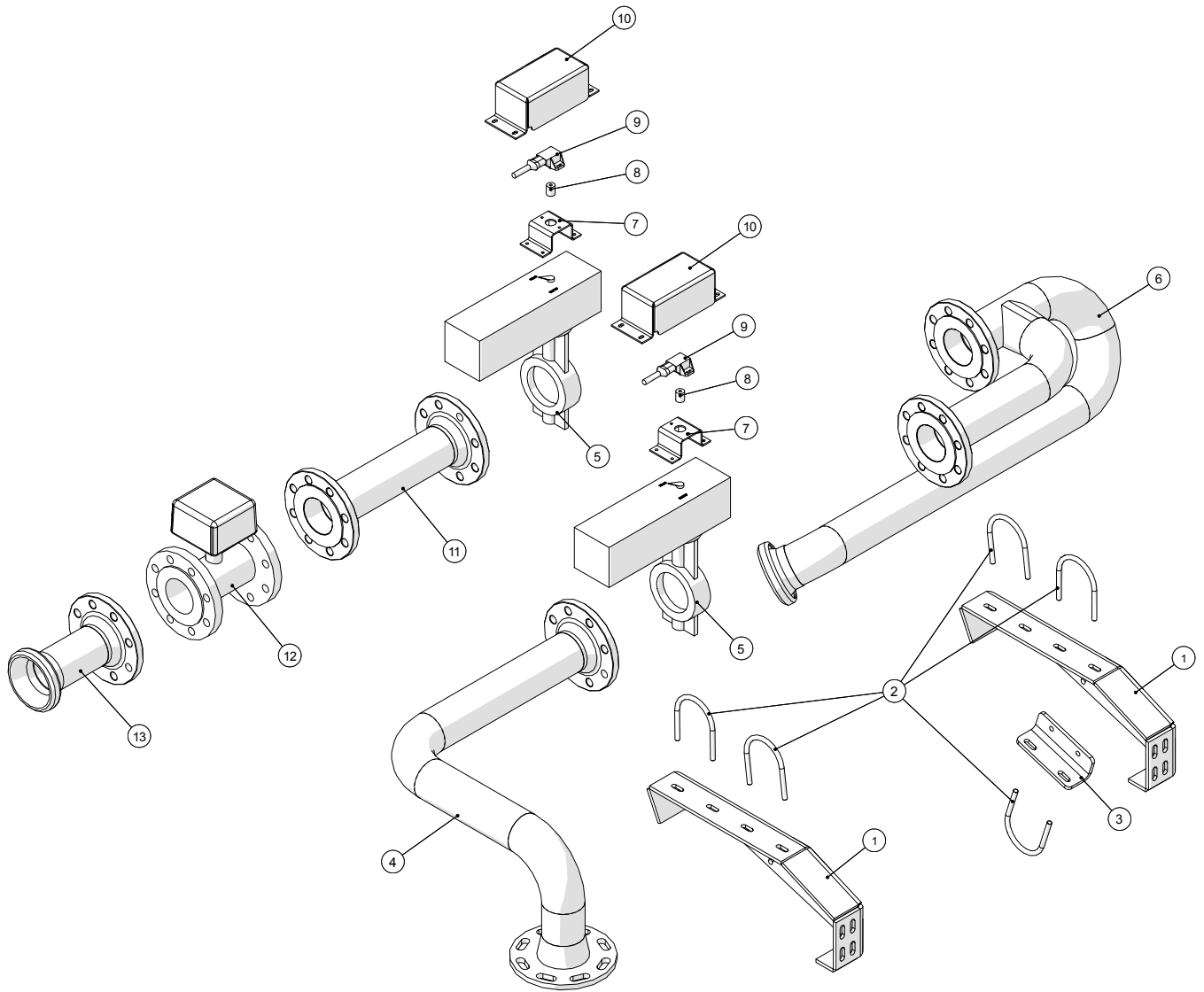
Pipe system - Self-priming Unit



Pump Unit APV250 Model year 2012 - 2015	Date: 18/6-2015
	13

Pipe system - Self-priming Unit				
Pos. no.	Item no.	Pcs.	Description	Note
1	250180763	1	Inlet pipe	
2	13250555	3	Flange gasket NW150 218x169mm	
3	20145154	1	RIV gate-valve w/spindle DN150 6"	
4	20140299	1	Lever with opening stop, RIV model 4/5/6"	
5	250180767	1	Joint by the self-priming unit	
6	23093431610	1	BAUER Self-priming unit	
7	14050125	1	BAUER HK end ball 159mm	
8	25017644	1	6-ways diverter valve 3/8"	
9	250181054	1	Bracket for BAUER Vacuum pump	

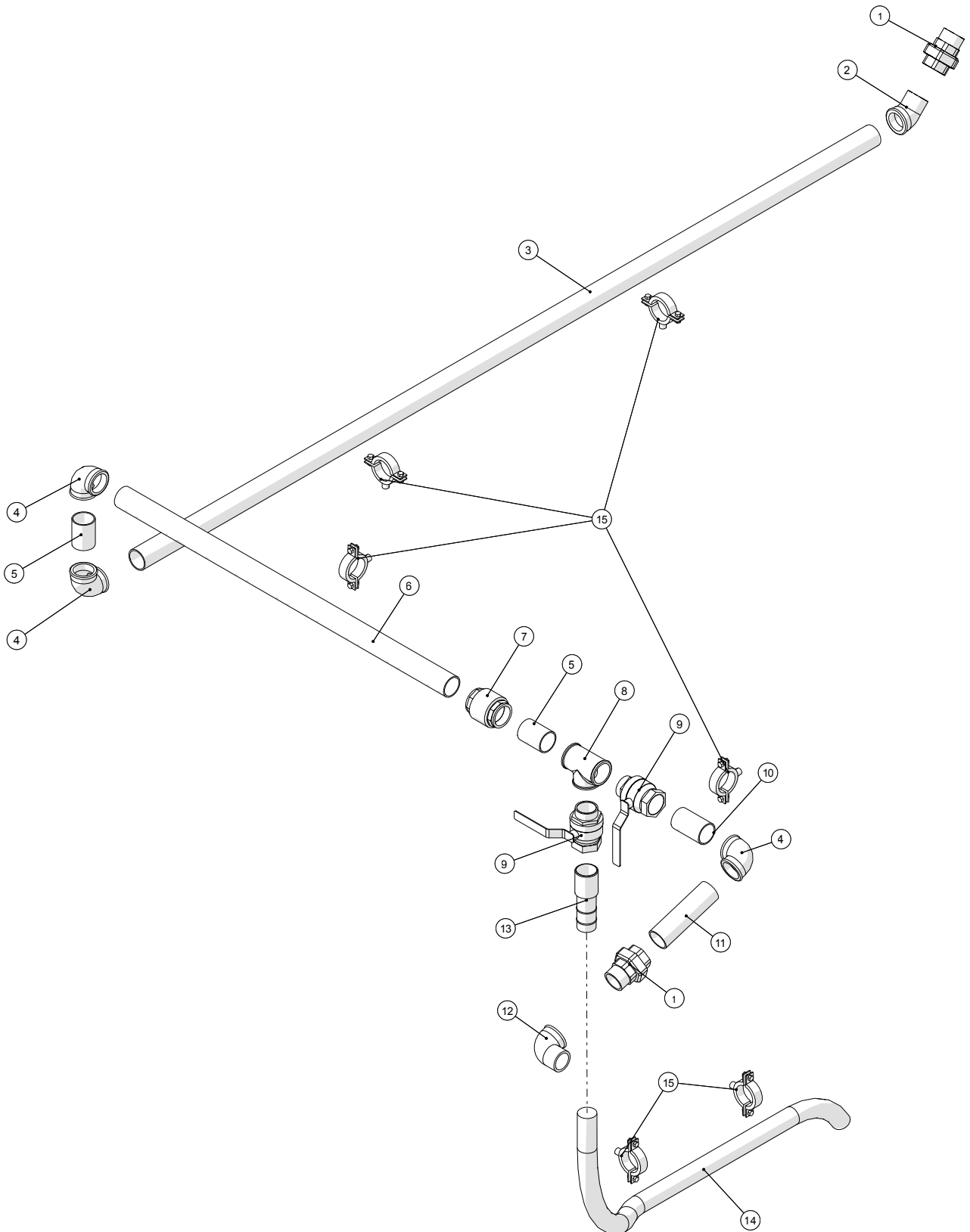
Pipe system - Water input



Pump Unit APV250 Model year 2012 - 2015	Date: 18/6-2015
	14

Pipe system - Water input				
Pos. no.	Item no.	Pcs.	Description	Note
1	250180973	2	Bracket	
2	10381092	5	Pipe U-clamp $\varnothing 92 \times 120$	
3	250180975	1	Bracket	
4	250180976	1	Outlet pipe from the water tank	
5	15019009	2	DN80/DA80 engine valve for Program Rain w/ DN80 butterfly + motor actuator	
6	250180977	1	Inlet pipe for water	
7	250180974	2	Bracket	
8	25017561	2	Sensor	
9	25017560	2	Coupling E6C	
10	250180981	2	Cover for angle	
11	250180979	1	Connection pipes for the water	
12	2514850375	1	Flowmeter MAG3100 24V DN80 / 3"	
	25130203-1	1	MAG5000 Signal converter MK1 24Volt	
13	250180978	1	Outlet pipe for turbo filler	

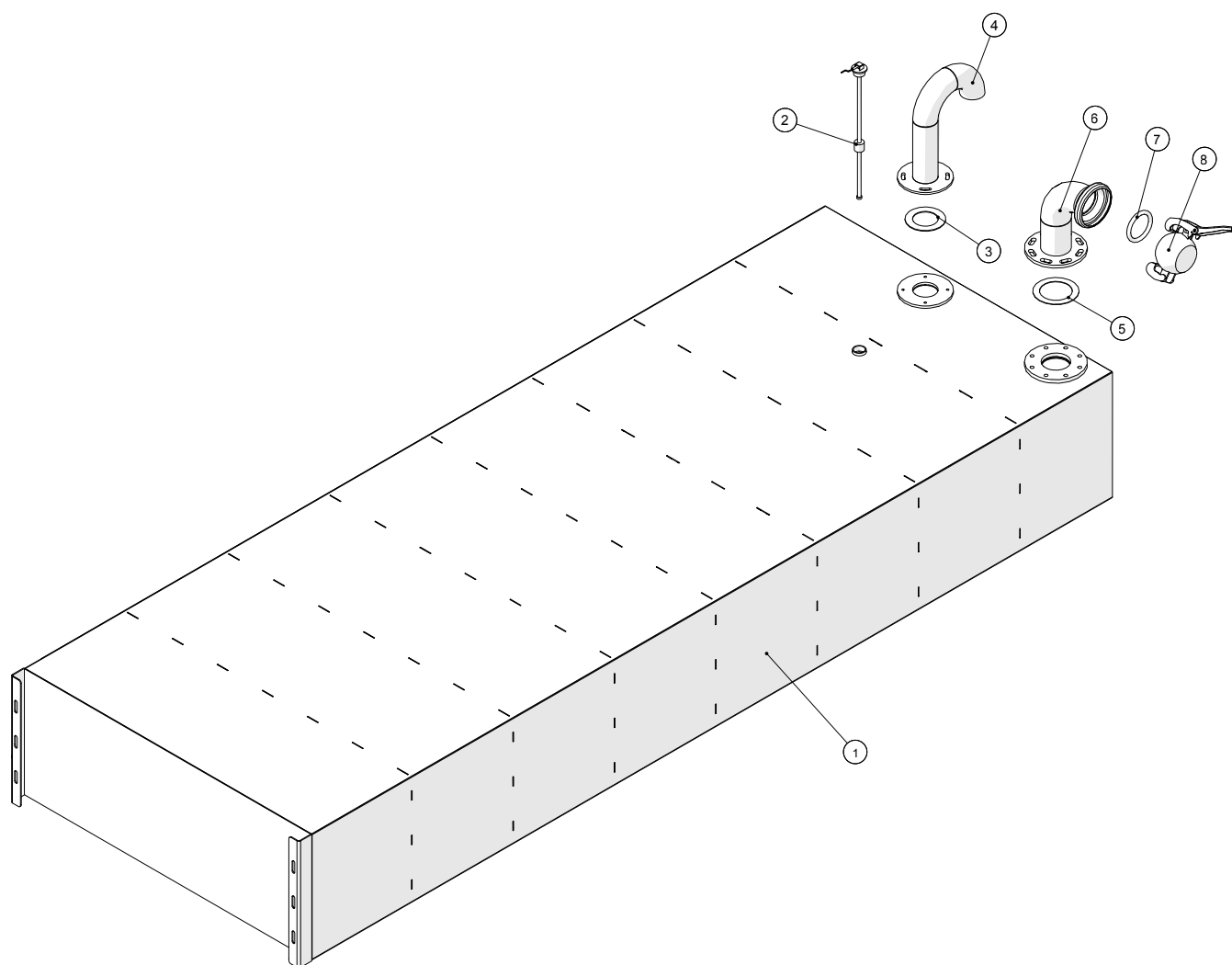
Pipe system - Air



Pump Unit APV250 Model year 2012 - 2015	Date: 18/6-2015
	15

Pipe system - Air				
Pos. no.	Item no.	Pcs.	Description	Note
1	000341412	2	Union No.341 galv. 2"	
2	000121412	1	Elbow 45° No.121 galvanized 2"	
3	250180506	1	Pipe 1 for air	
4	000090412	3	Elbow 90° No.90 galv. 2"	
5	012080412	2	Nipple galv. 2"x80mm	
6	250180509	1	Pipe 3 for air	
7	13031012	1	Valve EUROPA 2"	
8	000130412	1	Tee No.130 galv. 2"	
9	13100074	2	Ball valve female/male 2"	
10	012100412	1	Nipple galv. 2"x100mm	
11	250180507	1	Pipe 2 for air	
12	000092412	1	Elbow 90° No.92 galv. 2"	
13	14380045	1	Hose pipe w/BSP 2"x50mm	
14	16010096	1,5m	Clear hose w/steel coil 51mm	
15	10380494	6	Clamp galv. 58-64mm	

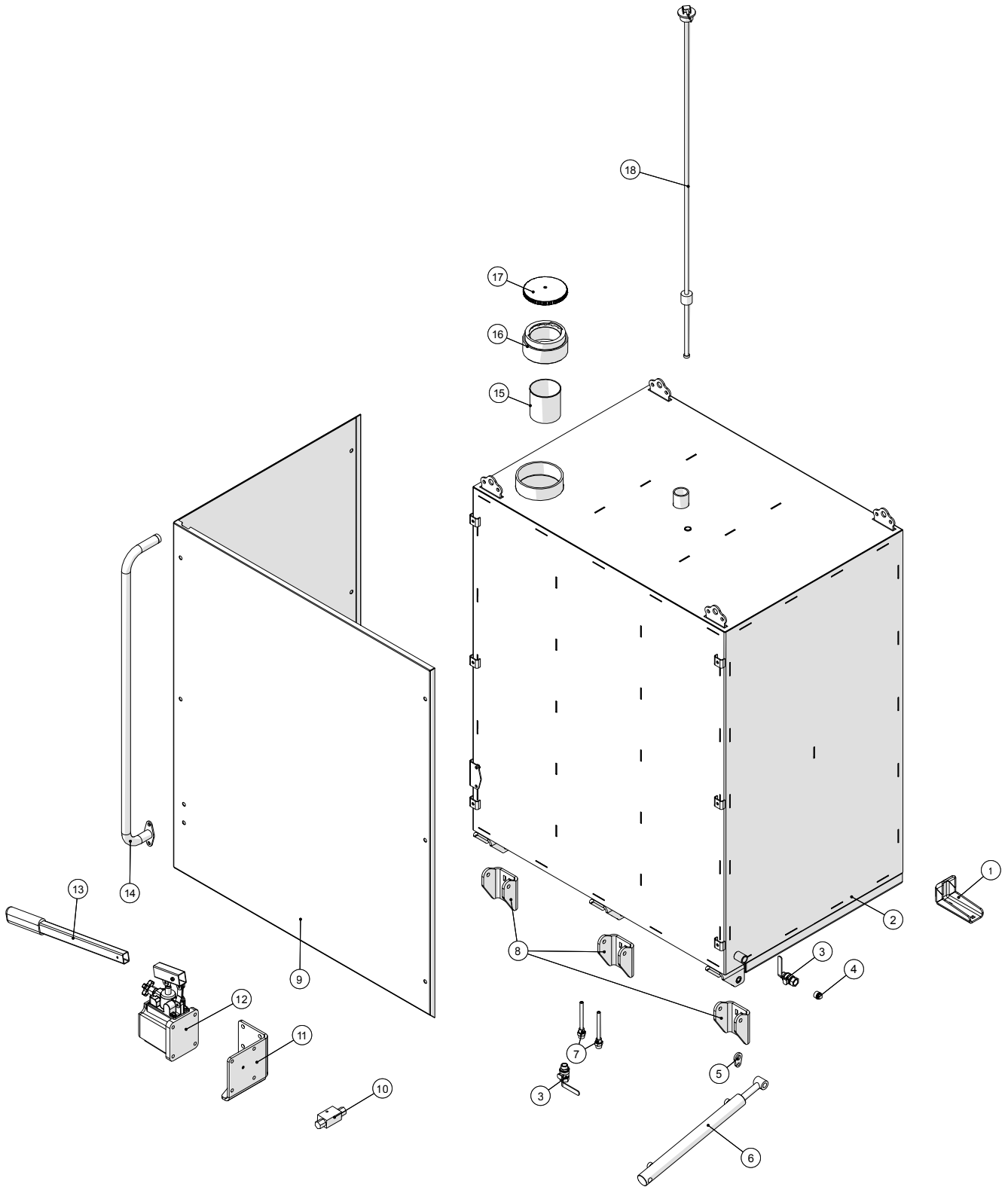
Water Tank



Pump Unit APV250 Model year 2012 - 2015	Date: 18/6-2015
	16

Water Tank				
Pos. no.	Item no.	Pcs.	Description	Note
1	250180037	1	Water Tank	
2	25017058	1	Sensor for water tank 55cm	
3	13250541	1	Fiber Seal NW80 142x90mm (3mm)	
4	250180136	1	breather	
5	13250546	1	Fiber Gasket NW100 162x115mm (3mm)	
6	250180284	1	Inlet pipe for water tank	
7	14050043	1	BAUER HK Rubber sealing ring S4	
8	14050123	1	BAUER HK End ball 108mm	

Diesel Tank



Pump Unit APV250
Model year 2012 - 2015

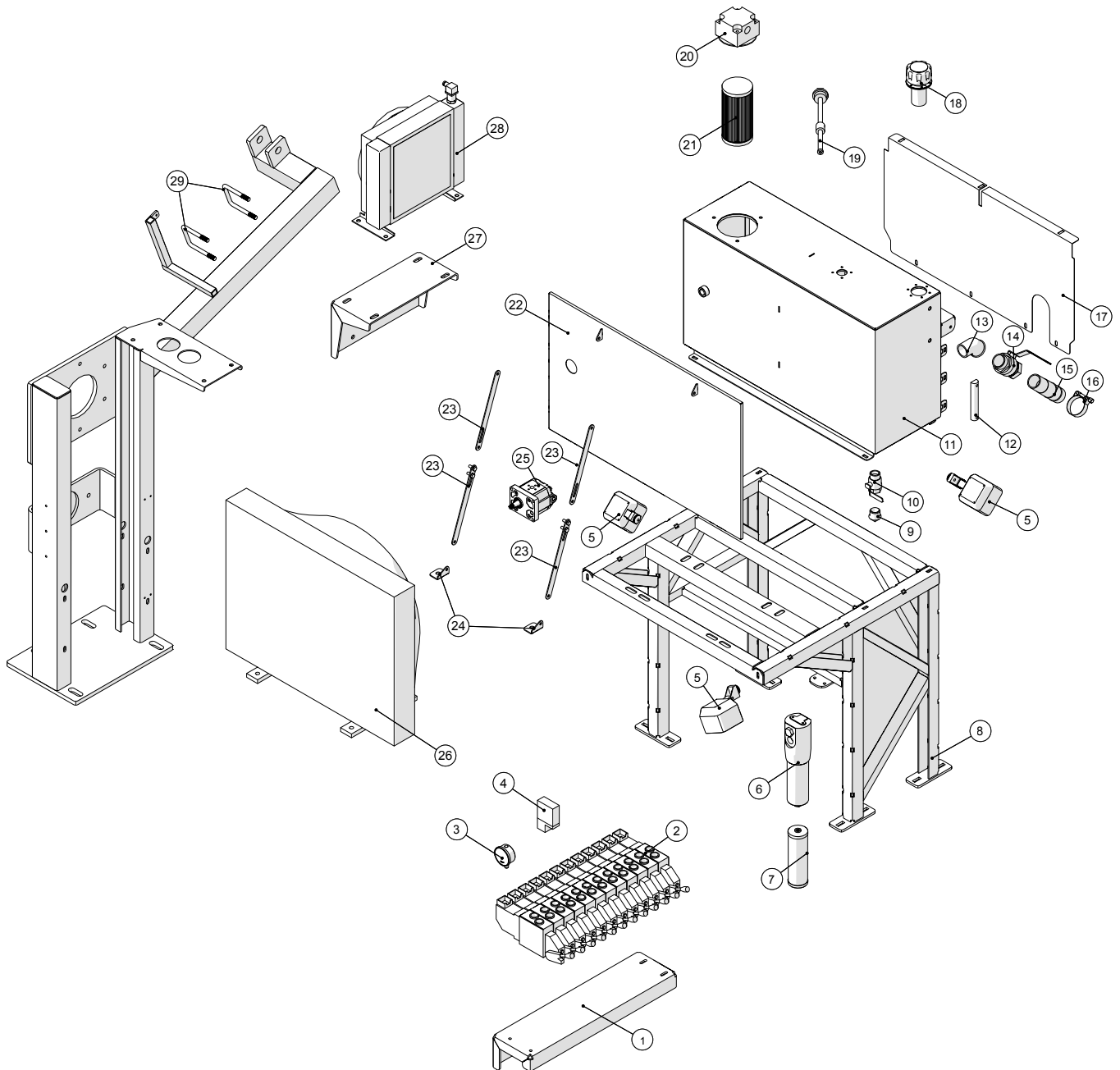
Date: 18/6-2015

17

Diesel Tank

Pos. no.	Item no.	Pcs.	Description	Note
1	250180333	1	Stop for tank	
2	250180362	1	Diesel Tank	
3	13100064	2	Ball valve female/male ½"	
4	000291404	1	Plug No.291 galv. ½"	
5	250180679	1	Eye for safety wire	
6	250180132	1	Cylinder	
	250180132-1		Seal kits	
7	250180816	2	Diesel nozzle inlet/return	
8	250180129	3	Bracket for tank	
9	250180812	1	Cover for fuel tank	
10	25017185	1	Double locking valve ¼" VBPDE	
11	250180672	1	Bracket for pump	
12	25017048	1	Hand pump PMI12 + tank	
13	25017049	1	Lever for pump	
14	250180820	1	Handle for diesel tank	
15	250180732	1	Strainer for 100mm collar	
16	250180733	1	Tank Flange for strainer	
17	25017651	1	Fuel cap Ø135	
18	25017064	1	Sensor for water tank	

Hydraulic



Pump Unit APV250
Model year 2012 - 2015

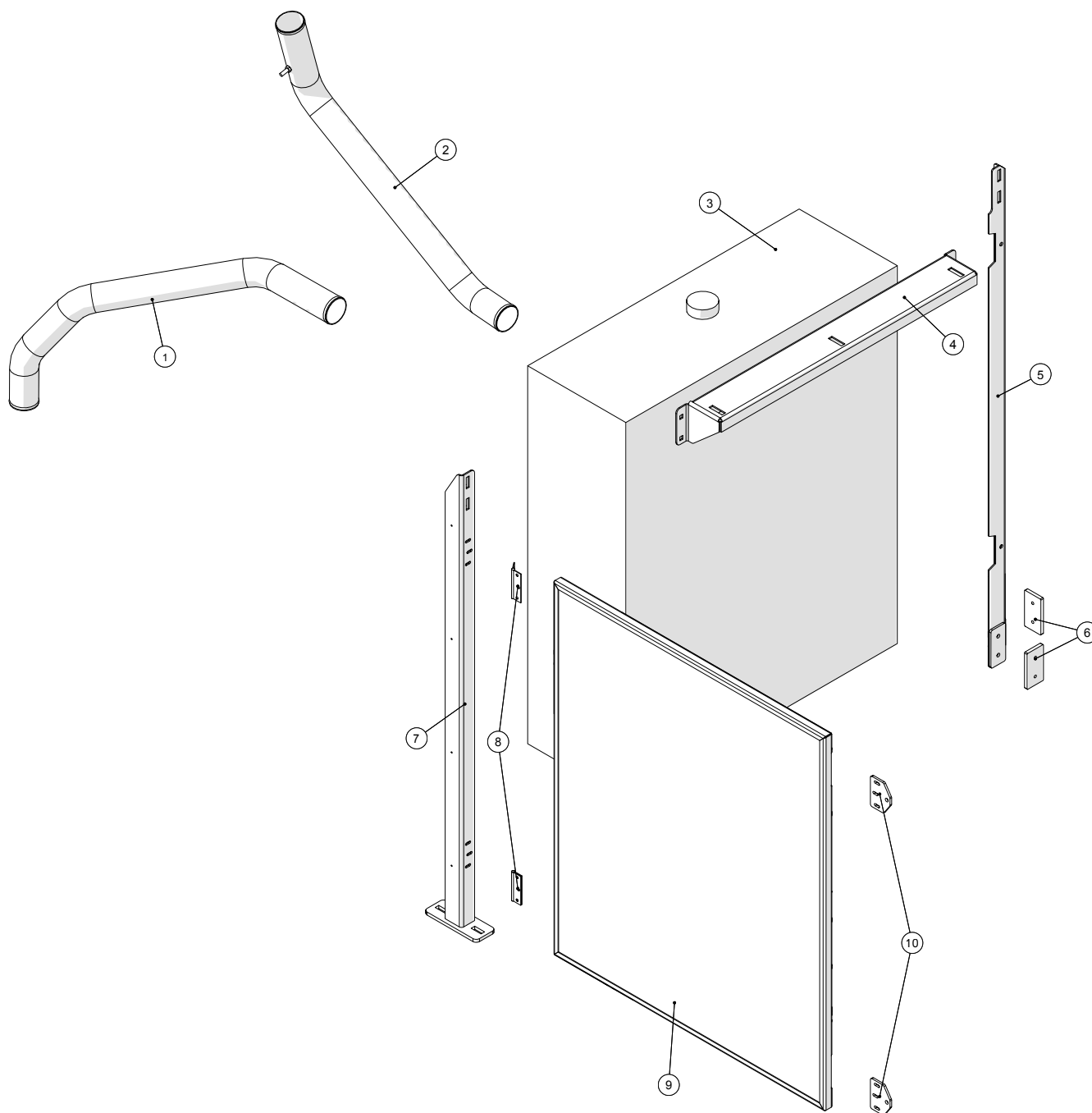
Date: 18/6-2015

18

Hydraulic

Pos. no.	Item no.	Pcs.	Description	Note
1	250180200	1	Bracket for hydraulic control	
2	136311074181	1	12 slice PVG block	
3	1362SPG063250SB	1	Pressure gauge 0-250bar w/glycerin ¼"	
4	1362XMLA300D1S11	1	Pressure switch 20-300 BAR wo/scale	
5	2514861061	3	Work lamp	
6	25017180	1	High pressure filter 90LPM ¾" A10MY	
7	25017180-01	1	Return filter element	
8	250180218	1	Eager for hydraulic tank	
9	000291408	1	Plug No.291 galv. 1"	
10	13100068	1	Ball valve female/male 1"	
11	250180227	1	Hydraulic Tank	
12	25017205	1	Oil Level Gauges 127/M12 TEMP MP	
13	000121111	1	Angle 45° No.121 Black 1½"	
14	13100072	1	Ball valve female/male 1½"	
15	2501790248	1	Suction nozzle for hydraulic tank	
16	16200716	1	Clamp 60-63mm	
17	250180826	1	Heat shield for hydraulic tank	
18	21201065	1	Lid w/10my filter	
19	2514851239	1	Fuel gauge	
20	25017190	1	Return filter 185LPM 1¼"	
21	25017005	1	Filter element	
22	250180828	1	Heat shield 2 for hydraulic tank	
23	250180831	4	Mounting Bracket 2 for heat shield	
24	250180830	2	Mounting Bracket for heat shield	
25	13631212058400	1	Radiator for compressor	
26	250180399	1	Radiator HPA36 2PAS	
27	250181043	1	Bracket for oil cooler	
28	25132374	1	Oil cooler 2024KBV 24VDC	
29	151377801073	2	Clamp	

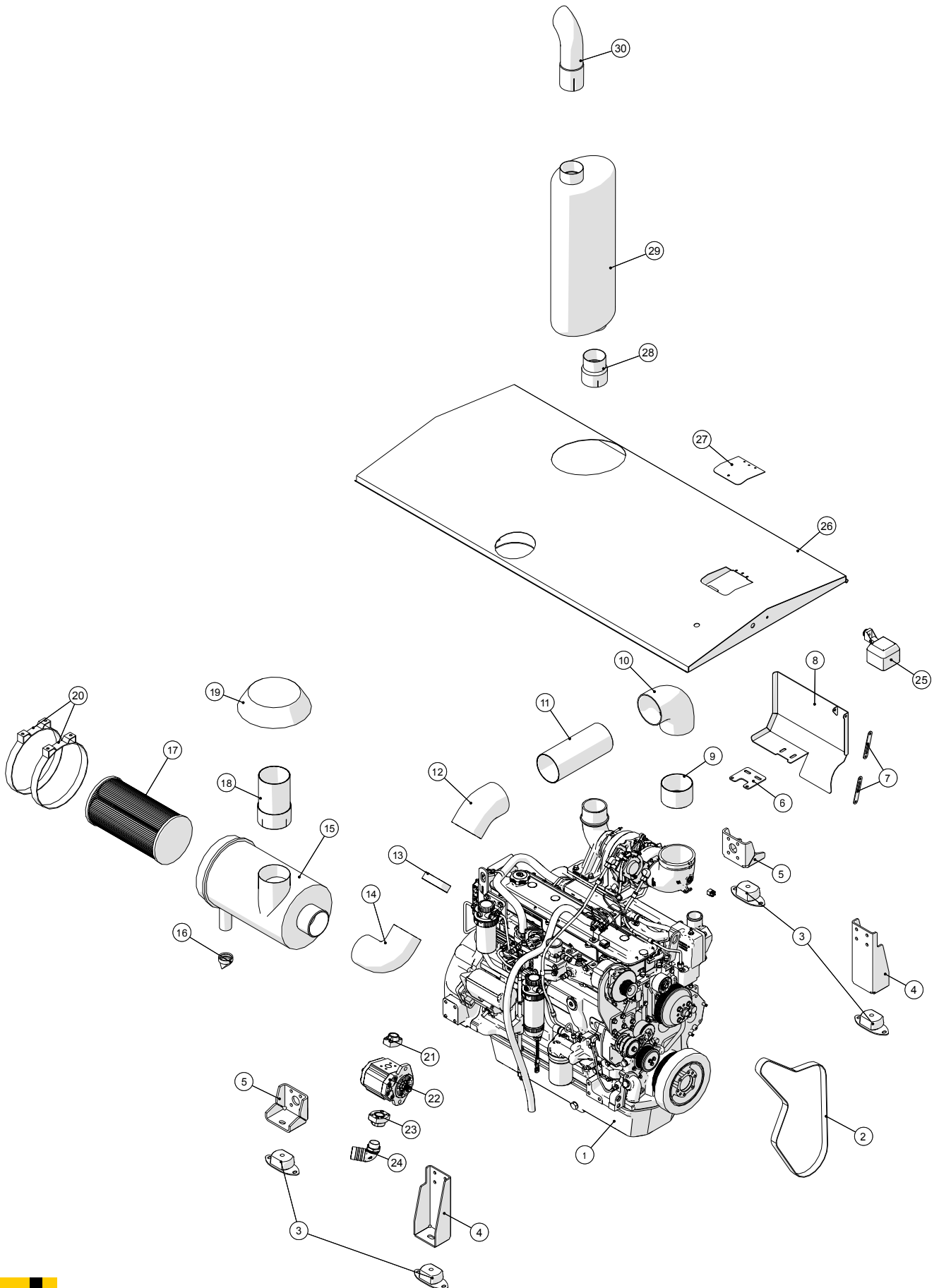
Radiator



Pump Unit APV250 Model year 2012 - 2015	Date: 18/6-2015
	19

Radiator				
Pos. no.	Item no.	Pcs.	Description	Note
1	250180774	1	Outlet pipe from intercooler	
2	250180824	1	Inlet pipe for intercooler	
3	250180399		Radiator HPA36 2PAS	
4	250180253	1	Front crossbar for roof suspension	
5	250180803	1	Bracket 1	
6	250180215	2	Bracket with thread. holes	
7	250180805	1	Bracket 2	
8	1513820114	2	Hinge	
9	250180807	1	Framework for grille	
10	250180809	2	Sealing plate for radiator grille	

Engine



Pump Unit APV250
Model year 2012 - 2015

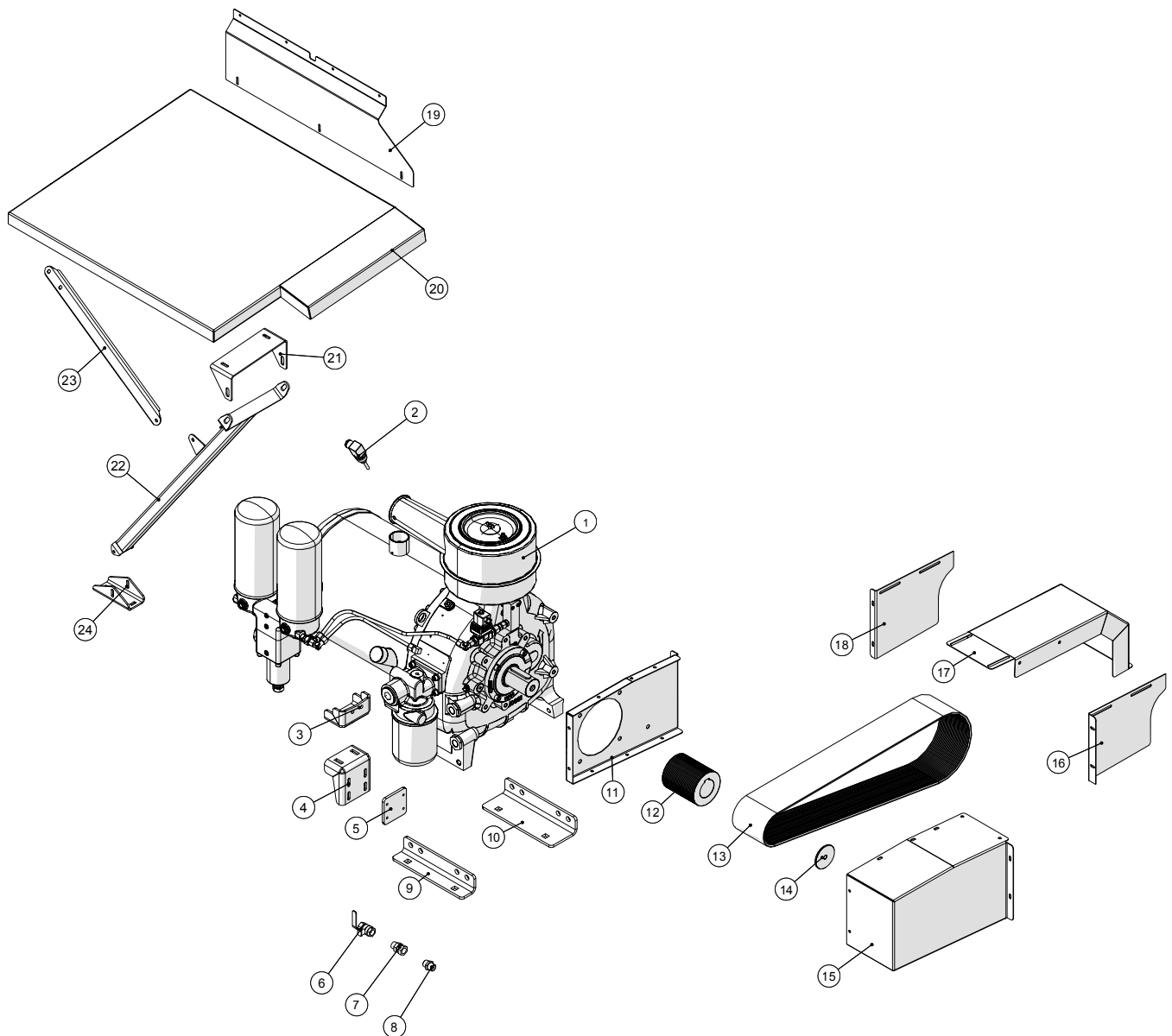
Date: 18/6-2015

20

Engine

Pos. no.	Item no.	Pcs.	Description	Note
1	25010060-1	1	Engine	
2	2501R135592	1	Fan belt	
3	25017055	4	Vibration absorber SIM200B-60 shore	
4	250180755	2	Engine suspension	
5	250180044	2	Engine suspension	
6	250180402	1	Bracket for heat shield	
7	250180403	2	Mounting bracket for heat shield	
8	250180685	1	Heat Shield	
9	250180406	1	Pipe 2 for intake	
10	2514850422	1	Elbow for inlet 90° 127mm	
11	250180405	1	Pipe 1 for intake	
12	2514850421	1	Elbow for inlet 45°	
13	250180407	1	Pipe 3 for intake	
14	250180394	1	Rubber elbow 90° 114mm	
15		1	Air Filter	
16	2514853840	1	Air filter vacuator valve	
17	2501G110382	1	Air Filter	
18	250180594	1	Pipe for intake	
19	250180393	1	Rain Cap 127mm	
20	2501P004079	2	Clamp	
21	2514851507	1	Flange SAE 3000PSI 1"	
22	1363111350150A	1	Gear pump SNP 044 SAE	
23	1363YFA03728U	1	Flange 210BAR 3000PSI 1¼"	
24	9034616	1	Elbow 90° 1¼" union X 2" hose connector	
25	2514861061	1	Work lamp	
26	250180247	1	Roof	
27	250180417	1	Lid for coolant	
28	250180420	1	Transition nozzle for exhaust	
29	250180400	1	Exhaust	
30	25017374	1	Outlet pipe	

Compressor



Pump Unit APV250
Model year 2012 - 2015

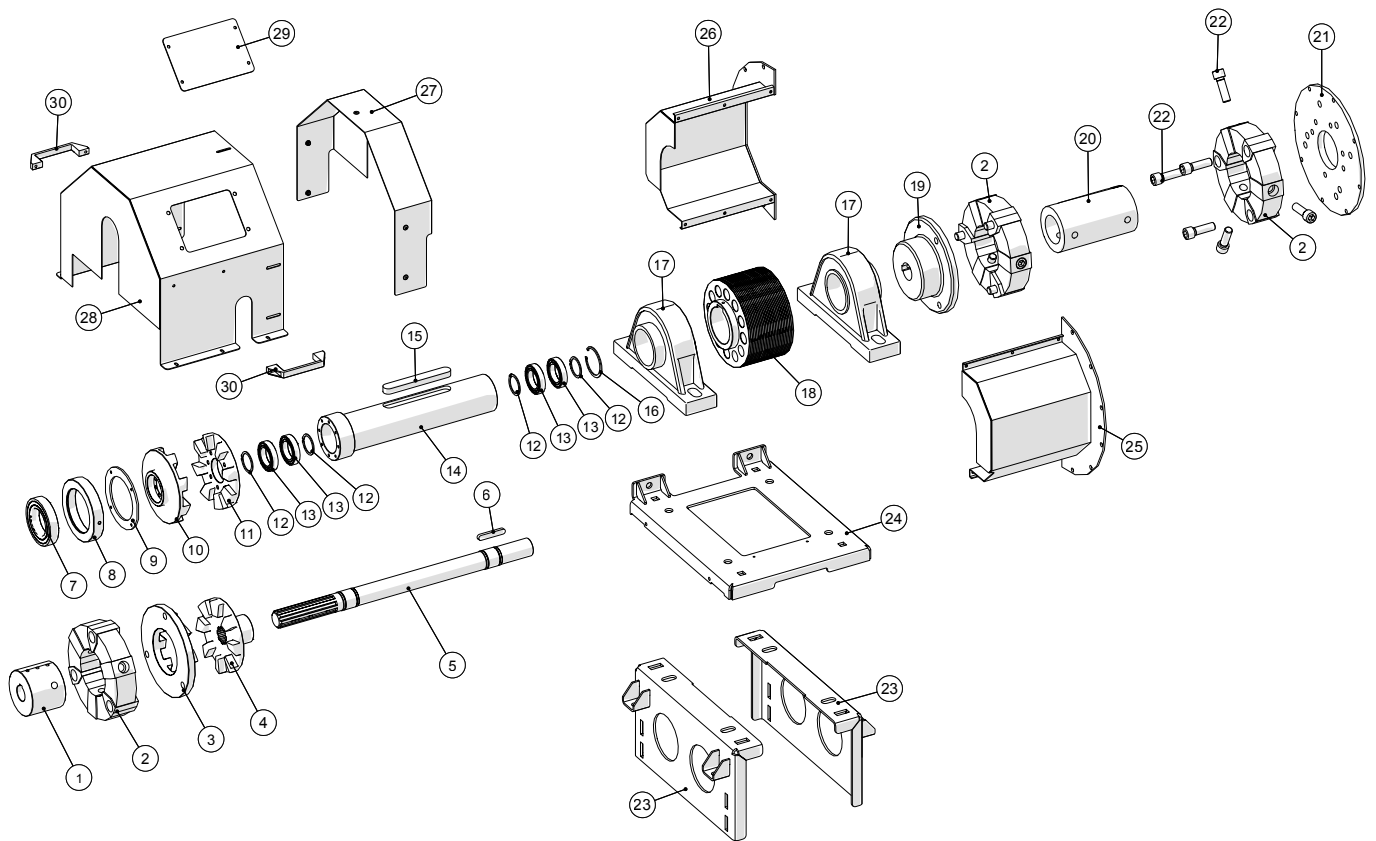
Date: 18/6-2015

21

Compressor

Pos. no.	Item no.	Pcs.	Description	Note
1	25030505	1	Compressor NK200	
2	1363084Z4035	1	Temperature sensor	
3	250180489	1	Bracket 2 for rear of compressor	
4	250180488	1	Bracket 1 for rear of compressor	
5	250180084	1	Mounting plate	
6	13708012	1	Ball valve dual stainless steel ½"	
7	5050108053	1	High pressure nipple union ½"	
8	50501003	1	High pressure Adaptor ½"	
9	250180469	1	Bracket for compressor	
10	250180470	1	Bracket 2 for compressor	
11	250180307	1	Protective shield for compressor	
12	250180522	1	Poly-V pulley ø114,7mm 28 ribs PL	
13	250180520	1	Poly-V belt 18 ribs PL 1422	
14	250180512	1	Bushing for complete Poly-V pulley	
15	250180498	1	Protective shield for compressor	
16	250180309	1	Protective shield 3 for compressor	
17	250180308	1	Protective shield 2 compressor	
18	250180310	1	Protective shield 4 compressor	
19	250180500	1	Bracket for compressor roof	
20	250180513	1	Roof for compressor	
21	250180502	1	Bracket for roof	
22	250180541	1	Cross brace for hose guide	
23	250180542	1	Cross brace for roof	
24	250180615	1	Bottom attachment for hose guide	

Coupling



Pump Unit APV250
Model year 2012 - 2015

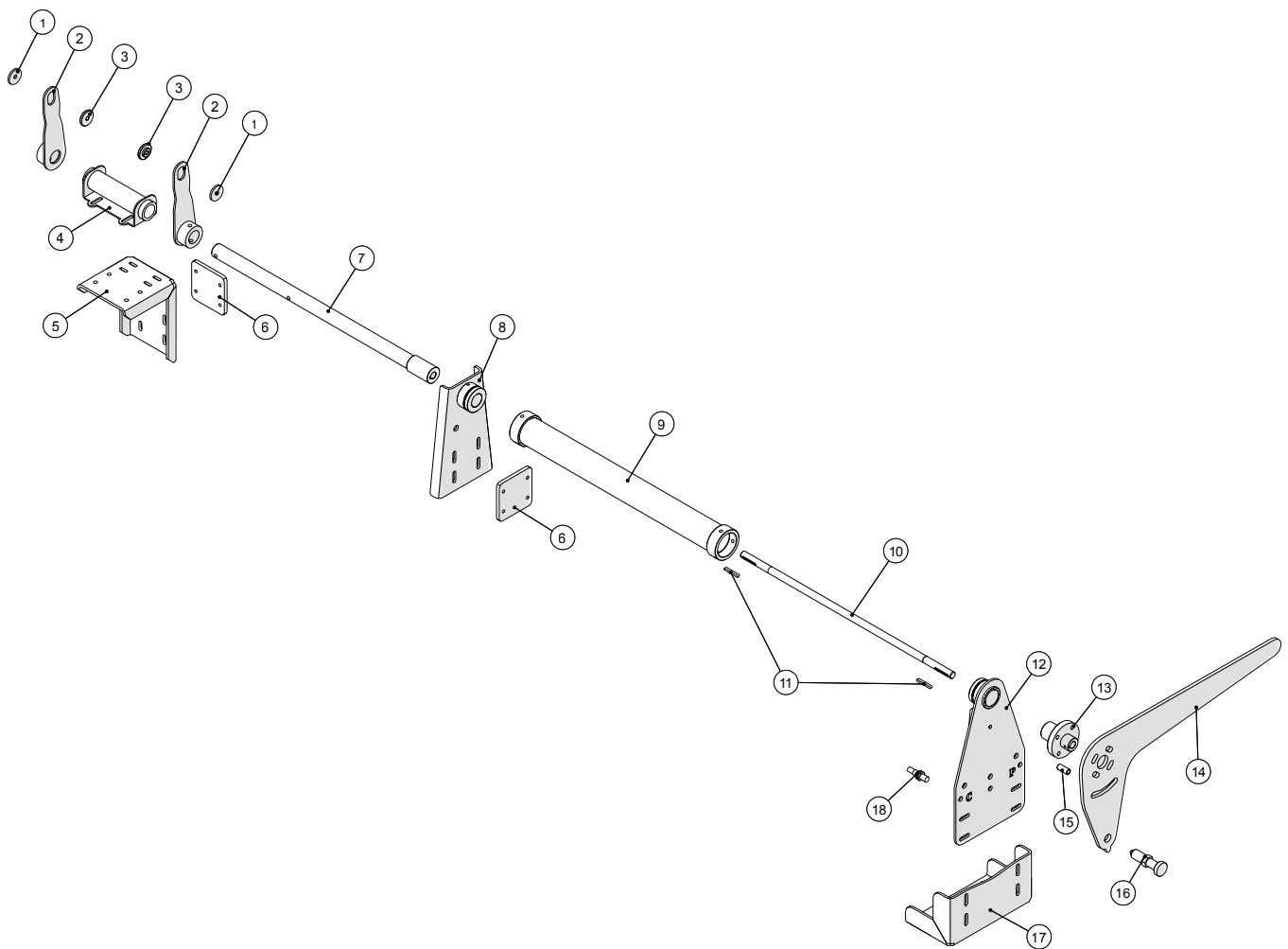
Date: 18/6-2015

22

Coupling

Pos. no.	Item no.	Pcs.	Description	Note
1	250180004	1	Shaft fastening on pump	
2	25030062	3	CENTAFLEX element A90 incl. bolts	
3	250180003	1	Coupling part for pump connection and housing	
4	250180006	1	Coupling part for pump connection	
5	250180005	1	Shaft for pump	
6	15140038014080	1	Key A14x9x80	
7	19300621502	1	Ball bearing	
8	250180010	1	Bracket for clutch bearing	
9	250180011	1	Plate for clutch bearing	
	13268606012	4	Umbracobolt 6x12 (for pos. 9)	
10	250180007	1	Coupling part	
11	250180008	1	Coupling part	
	13268508025	8	Umbracobolt 8x25 (for pos. 11)	
12	210422220019	4	Retaining ring A50	
13	19300601002	4	Ball bearing	
14	250180009	1	Shaft for compressor	
15	250180358	1	Parallel key A28x16x200	
16	15110616087	1	Retaining ring J80x2, 5	
17	19320100	2	Plummer block bearing	
18	250180521	1	Poly-V Pulley	
19	25030066	1	CENTAFLEX hub A90 Ø48mm	
20	25030064	1	Central pipe A90	
21	25030063	1	CENTAFLEX plate A90	
22	25030068	9	Cylinder screw M20x65	
23	25030069	9	Cylinder screw M20x80	
24	250180053	2	Bracket for bearing assembly	
25	250180055	1	Base plate for bearing assembly	
26	250180695	1	Housing	
27	250180699	1	Housing	
28	250180624	1	Shield 2	
29	250180619	1	Shield	
30	250181074	1	Inspection Hatch	
31	2514803066	2	Handle	

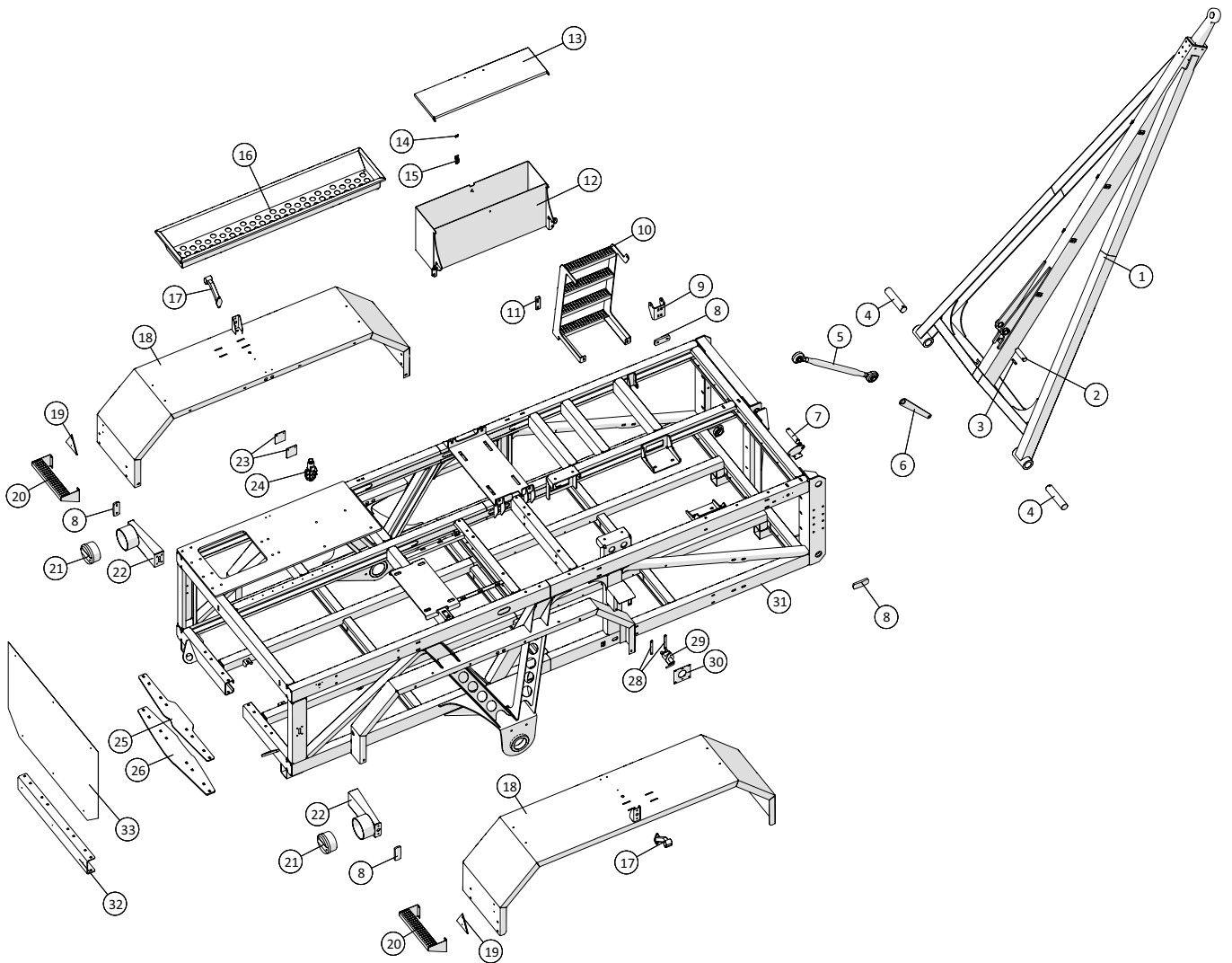
Gear shifting function



Pump Unit APV250 Model year 2012 - 2015	Date: 18/6-2015
	23

Gear shifting function				
Pos. no.	Item no.	Pcs.	Description	Note
1	250180086	2	Washer for switch arm	
2	250181070	2	Switch arm	
3	250180012	2	Spacer	
4	250181075	1	Bearing	
5	250180083	1	Bracket for switch system	
6	250180084	2	Mounting plate	
7	250181067	1	Shaft	
8	250181078	1	Plate for switch arm	
9	250181303	1	Spacer	
10	250180577	1	Spring	
11	15140038005040	2	Parallel key A5x5x40	
12	250181300	1	Bracket for switch system	
13	250181071	1	Bushing	
14	250181072	1	Trigger arm	
15	250181066	1	Spacer	
16	250120151008	1	Spring latch	
17	250180566	1	Bracket 2 for switch system	
18	25030010	1	Inductive sensor	

Chassis



Pump Unit APV250
Model year 2012 - 2015

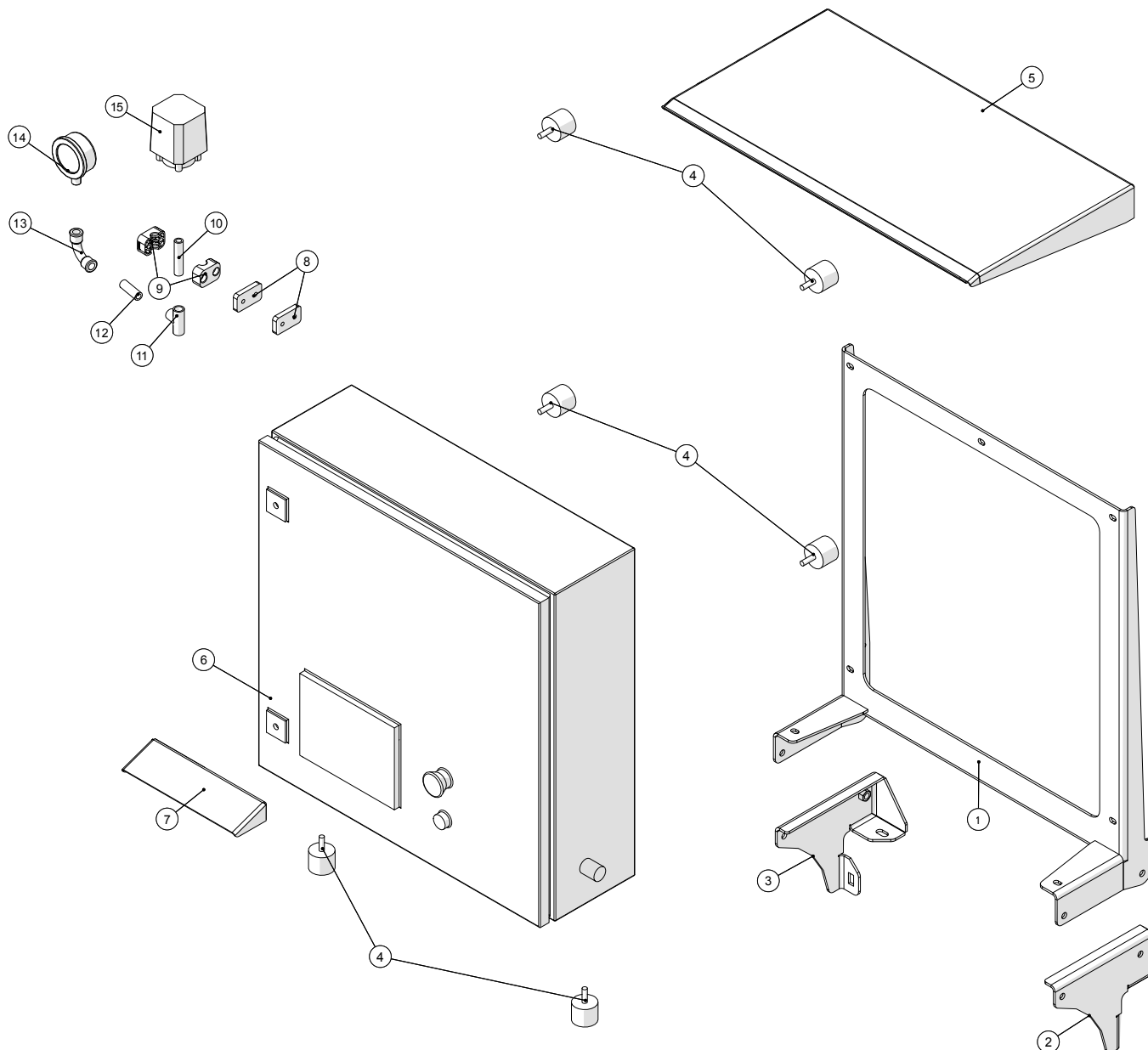
Date: 18/6-2015

24

Chassis

Pos. no.	Item no.	Pcs.	Description	Note
1	250180790	1	Reinforced drawbar	
2	250180353	1	Pin 2 of the top link	
3	250180529	1	Pin of drawbar hook	
4	250180337	2	Pin of drawbar	
5	25017251	1	Top link	
6	250180273	1	Bracket for drawbar	
7	250180352	1	Pin for top link	
8	1229140053	4	Side marker yellow LED	
9	250180129	1	Bracket for tank on frame	
10	250180531	1	Ladder	
11	250180534	1	Brackets for ladder	
12	250180290	1	Toolbox	
13	250180293	1	Lid for toolbox	
14	122500042	1	Hook	
15	122500041	1	Lock	
16	250180553	1	Toolbox	
17	1229140072	1	End outline marker left	
18	250180497	2	Mudguard w/bracket	
19	210434566501	2	Red triangular reflex	
20	250180673	2	Step	
21	1229140075	2	Tail light Stop / blink	
22	250180199	2	Bracket for tail light	
23	250180589	2	Bracket for 6-way valve	
24	25017645	1	6-way valve 24Volt 3/8"	
	25017645-1	1	Coil 24Volt	
25	250180386	1	Reinforcement 2 below rear profile	
26	250180385	1	Reinforcement below rear profile	
27	1229140073	1	End outline marker right	
28	250180709	2	Threadplate for main switch	
29	2514862521	1	Main switch	
30	250180682	1	Front panel for box for main switch	
31	250180002	1	Chassis Frame	
32	250180834	1	Mounting bracket for water outlet in chassis	Used only without a water tank
33	250180835	1	Mounting plate for chassis	Used only without a water tank

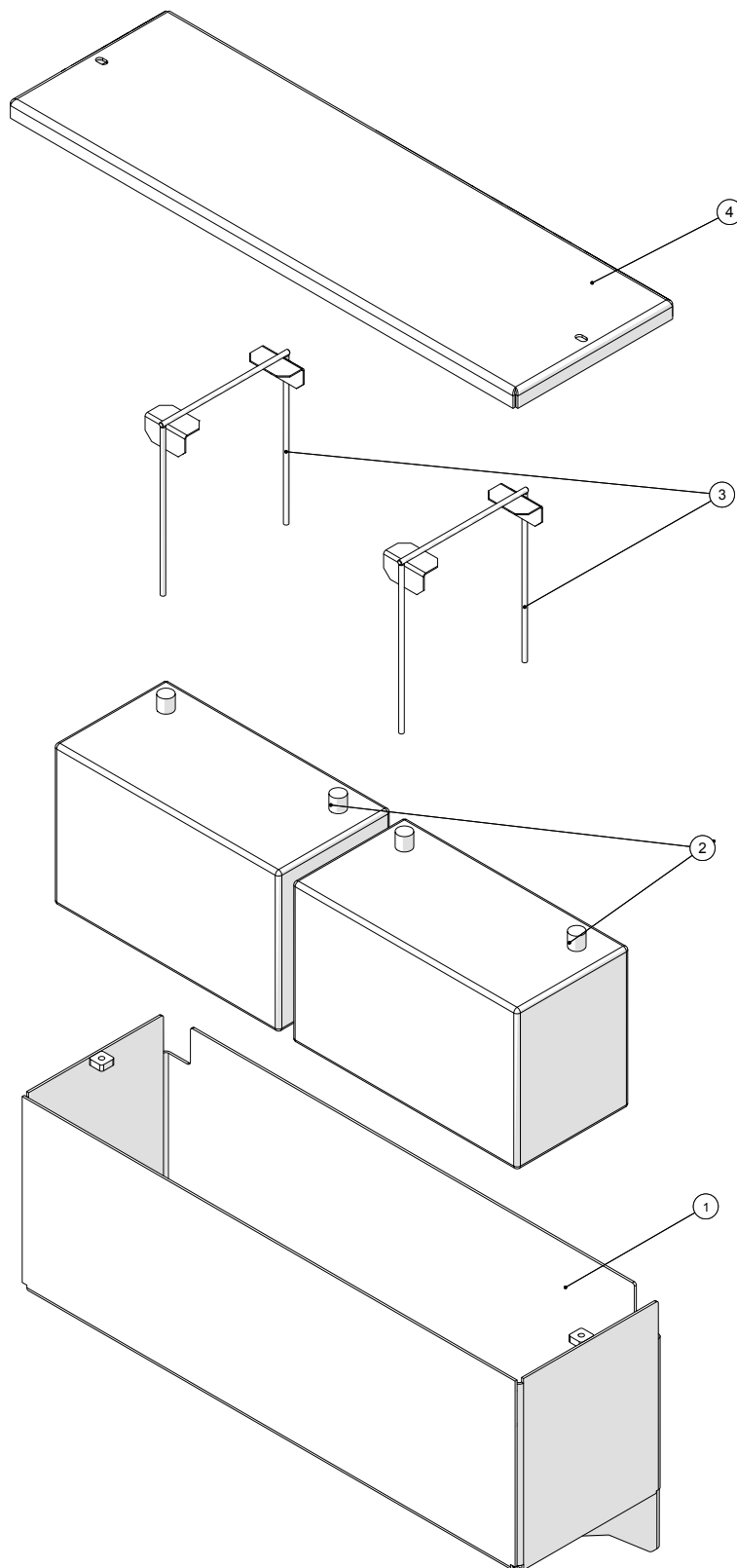
Control box



Pump Unit APV250 Model year 2012 - 2015	Date: 18/6-2015
	25

Control box				
Pos. no.	Item no.	Pcs.	Description	Note
1	250180789	1	Top part for tiltable control box	
2	250180801	1	Bracket 2 for tiltable control box	
3	250180800	1	Bracket for tiltable control box	
4	25017400	6	Vibration absorber	
5	250180596	1	Rain Cover for control box	
6		1	Control box	
7	250180597	2	Rain Cover up screen	
8	250180634	2	Distance plate at fuse box	
9	51000015-01	2	Clamp single 15mm	
10	012060402	1	Nipple galv. ¼"x60mm	
11	000130402	1	Tee No.130 galv. ¼"	
12	012040402	1	Nipple galv. ¼"x40mm	
13	000002402	1	Elbow No.2 galv. ¼"	
14	13180060	1	Glycerin pressure gauge 0-10bar ¼"	
15	25017051	1	Pressure switch 7-22Bar	

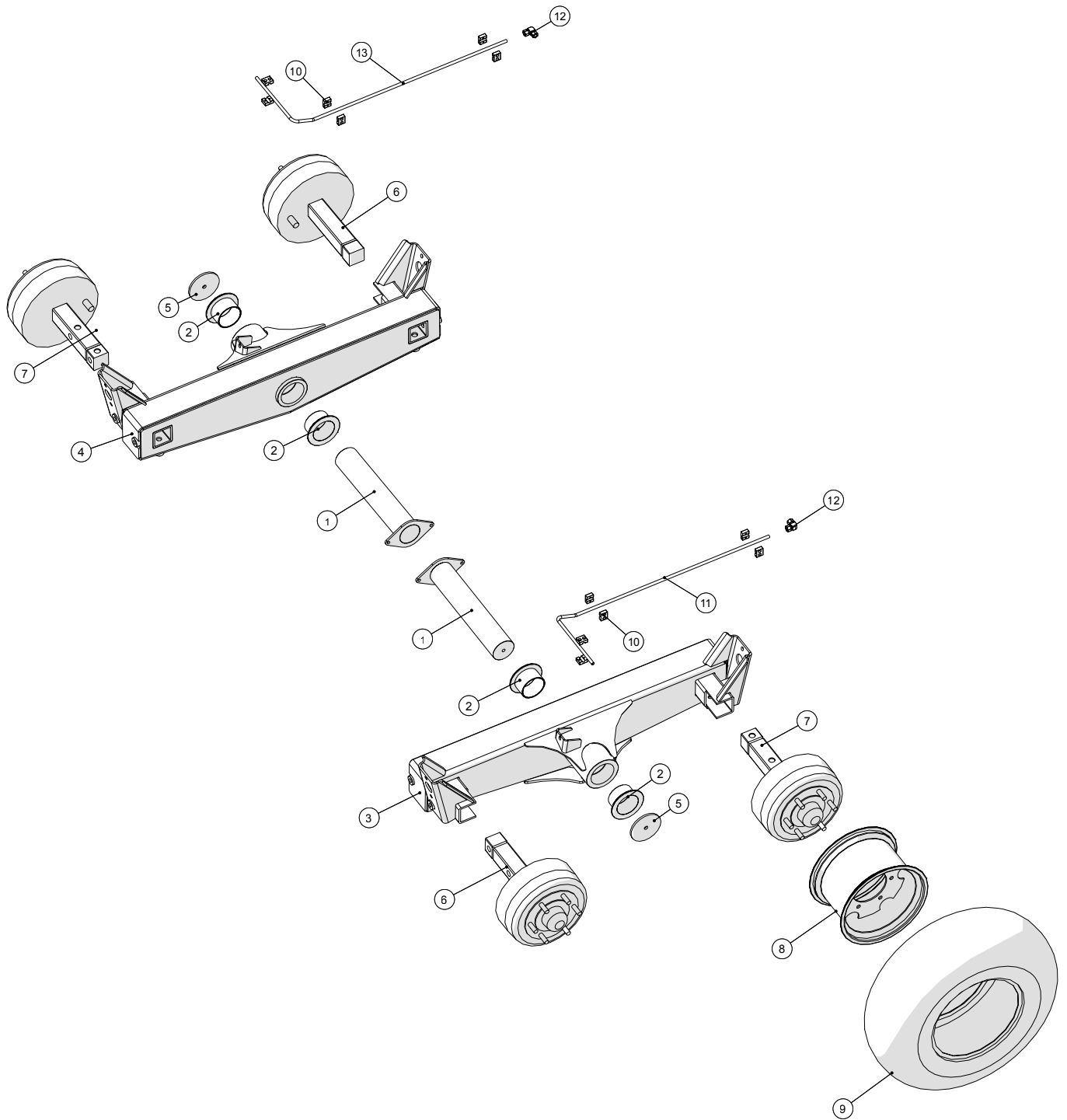
Battery Box



Pump Unit APV250 Model year 2012 - 2015	Date: 18/6-2015
	26

Battery Box				
Pos. no.	Item no.	Pcs.	Description	Note
1	250180205	1	Battery Box	
2	25017385	2	Battery 61047 type643	
3	251476636540	2	Battery bracket	
4	250180206	1	Lid for battery box	

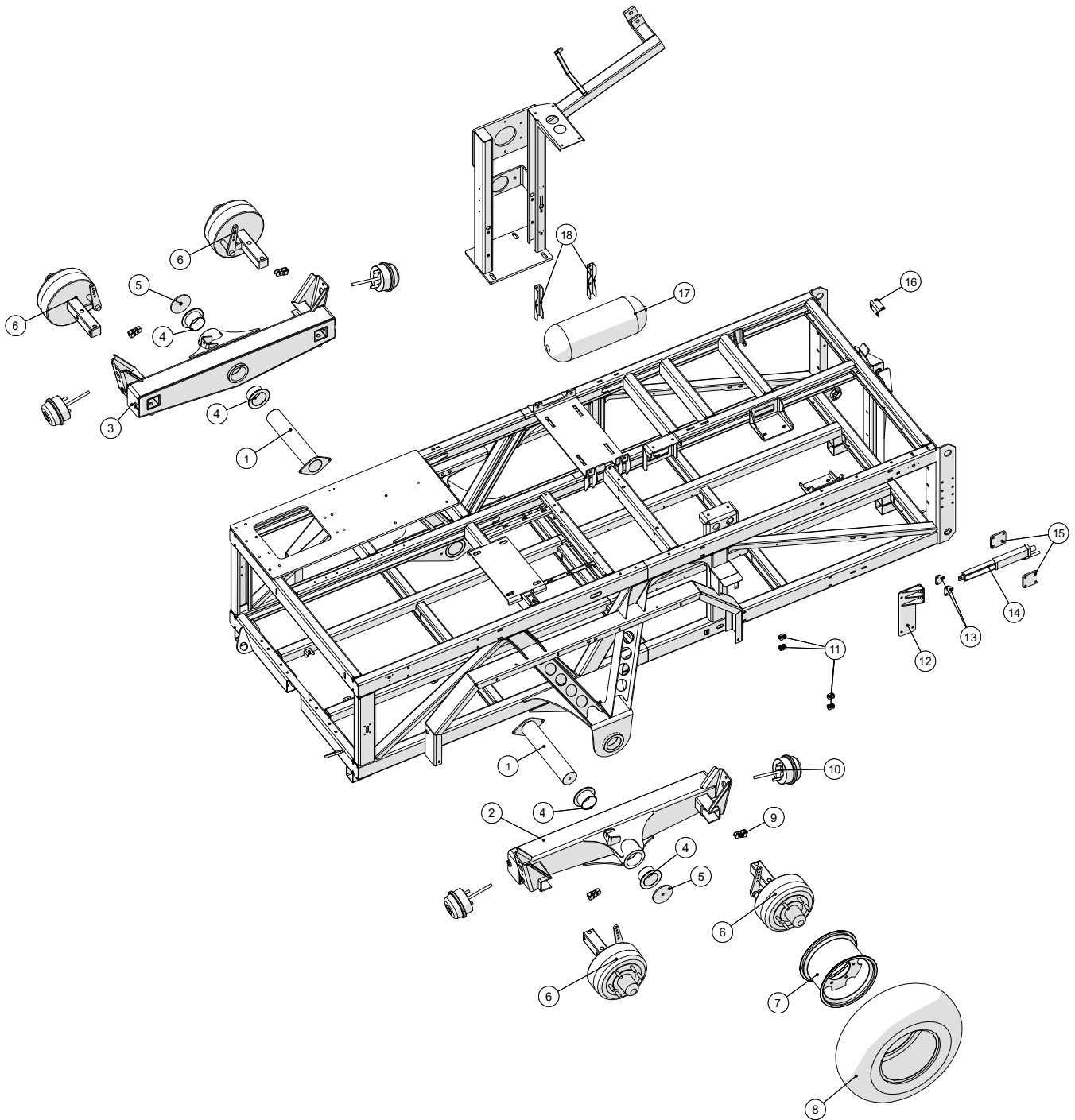
Brakes - Hydraulic



Pump Unit APV250 Model year 2012 - 2015	Date: 18/6-2015
	27

Brakes - Hydraulic				
Pos. no.	Item no.	Pcs.	Description	Note
1	250180463	2	Shaft for suspension	
2	250180584	4	Bushing for mounting shaft	
3	250180448	1	Suspension, left	
4	250180495	1	Suspension, right	
5	250180464	2	End cover for axle	
6	250180649	2	Hydraulic hub	
7	250180631	2	Hydraulic hub	
8	25017310	4	Rim 9,00x15,3	
9	25017305	4	Allianca tire 11,5/80x15,3/14TT 320	
10	51000012-01	12	Clamp - single, 12mm	
11	250180587	1	Pipe for hydraulic brakes	
12	503373388	2	Union elbow L12	
13	250180588	1	Pipe 2 for hydraulic brakes	

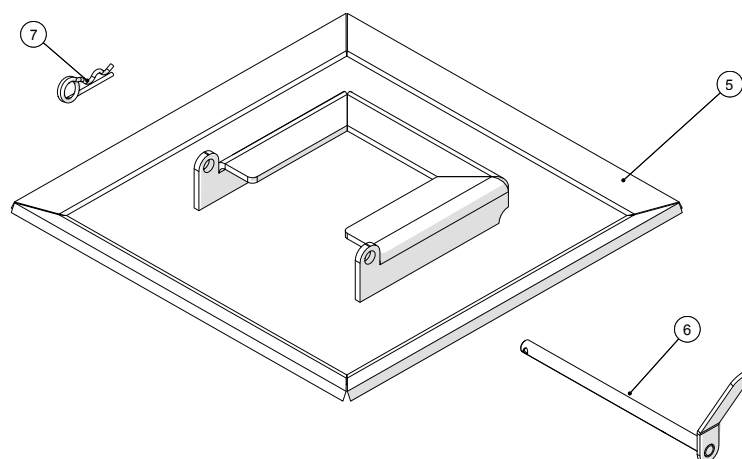
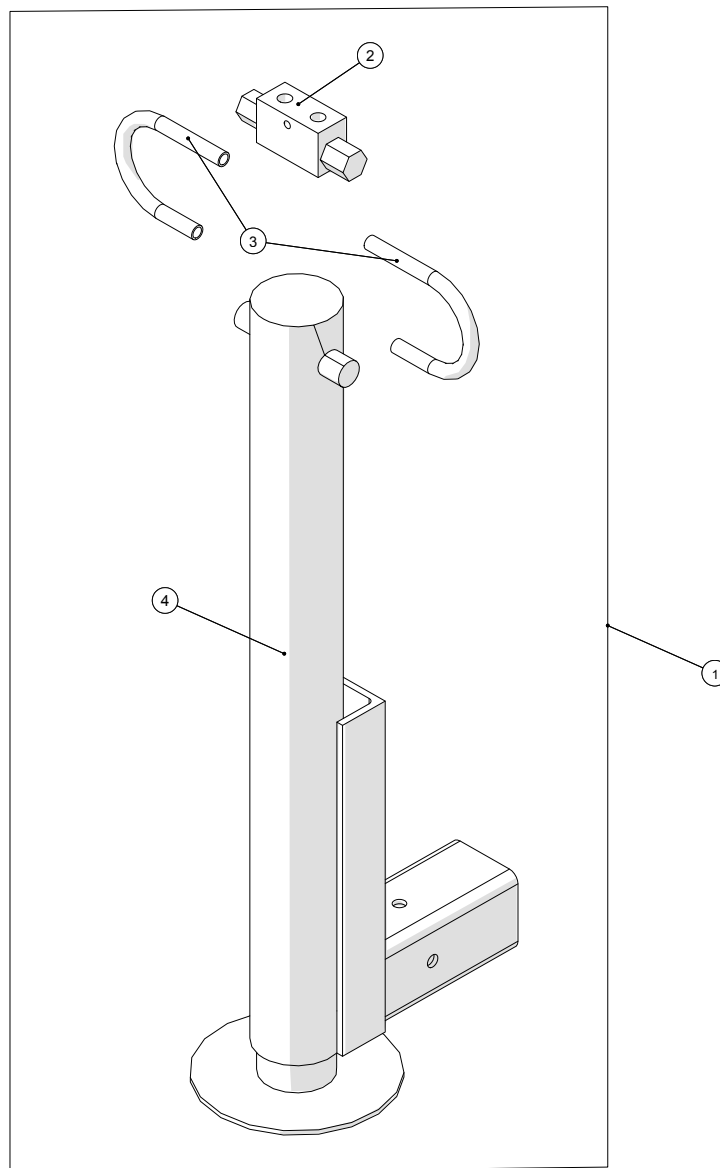
Brakes - Pneumatic



Pump Unit APV250 Model year 2012 - 2015	Date: 18/6-2015
	28

Brakes - Pneumatic				
Pos. no.	Item no.	Pcs.	Description	Note
1	250180463	2	Shaft for suspension	
2	250180448	1	Suspension, left	
3	250180495	1	Suspension, right	
4	250180584	4	Bushing for mounting shaft	
5	250180464	2	End cover for axle	
6	25017311	4	Hub w/pneumatic brake	
7	25017310	4	Rim 9,00x15,3	
8	25017306	4	Allianca tires 11,5/80x15,3/18TT 320	
	25017315	4	Hose	
9	250180545	4	Clips for pneumatic brakes	
10	250180436	4	Pressurized air membrane	
11	51000015-01	4	Clamp - single, 15mm	
12	250180481	1	Bracket for parking brake cable	
13	250180473	2	Brackets for end to parking brake	
14	25017715	1	Parking brake release	
15	250180479	2	Plate for parking brake	
16	250180689	1	Plate for air valve for pneumatic brakes	
17	25017710	1	Pressurized air tank 40ltr.	
18	25017711	2	tank mounting	

Support leg



Pump Unit APV250 Model year 2012 - 2015	Date: 18/6-2015
	29

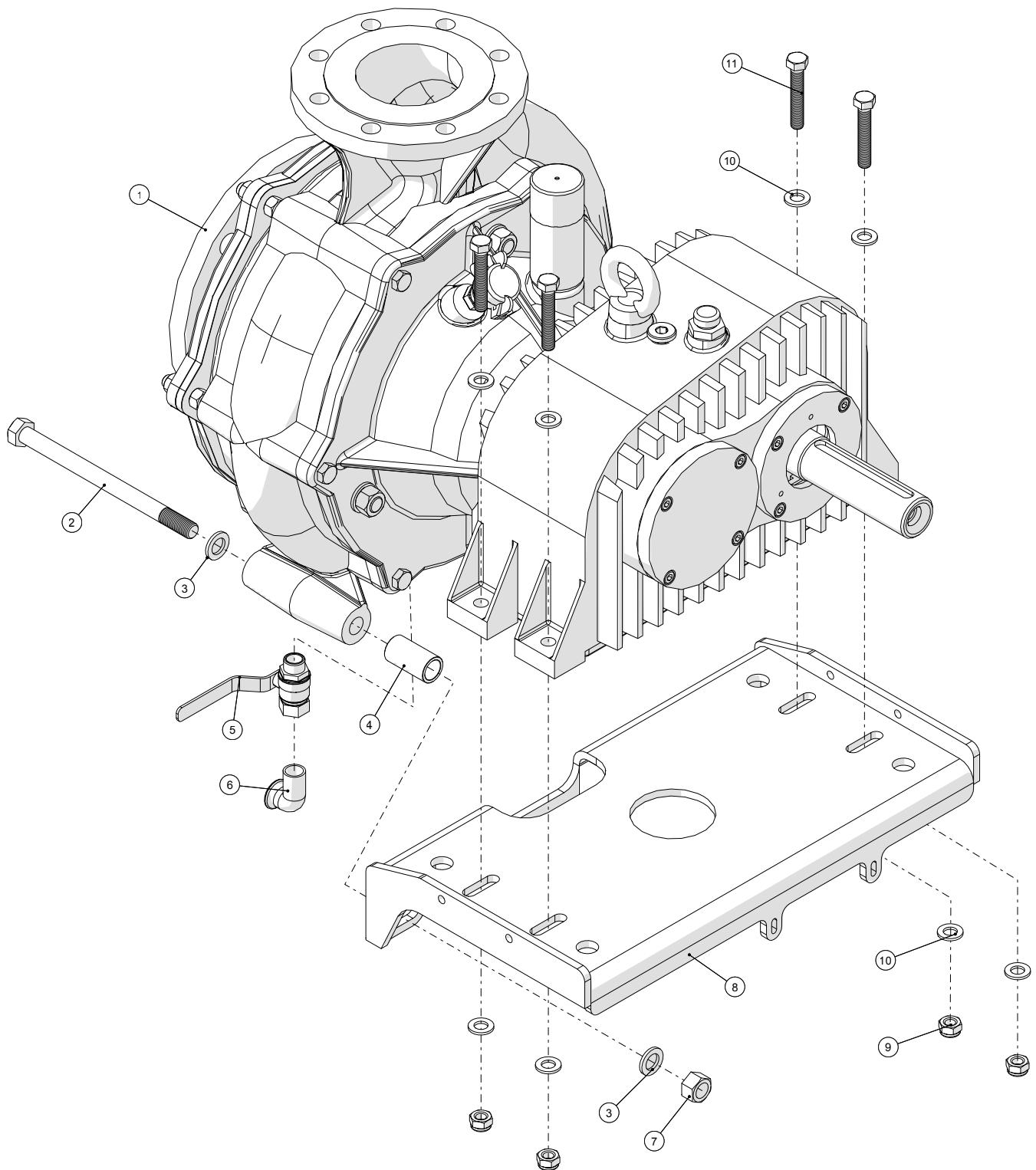
Support leg				
Pos. no.	Item no.	Pcs.	Description	Note
1	250180663	1	Support leg complete	
2	25017185	1	Double locking valve 1/4" VBPDE	
3	2501790288	2	Hydraulic pipes	
4	250180659	1	Support leg	
5	250180740	1	Base for support leg	
6	250180744	1	Pin for lock of base	
7	1514009550030	1	Double Loop Hair Pin 3mm galv.	

Date: 18/6-2015

30

Pump Unit APV250
Model year 2012 - 2015

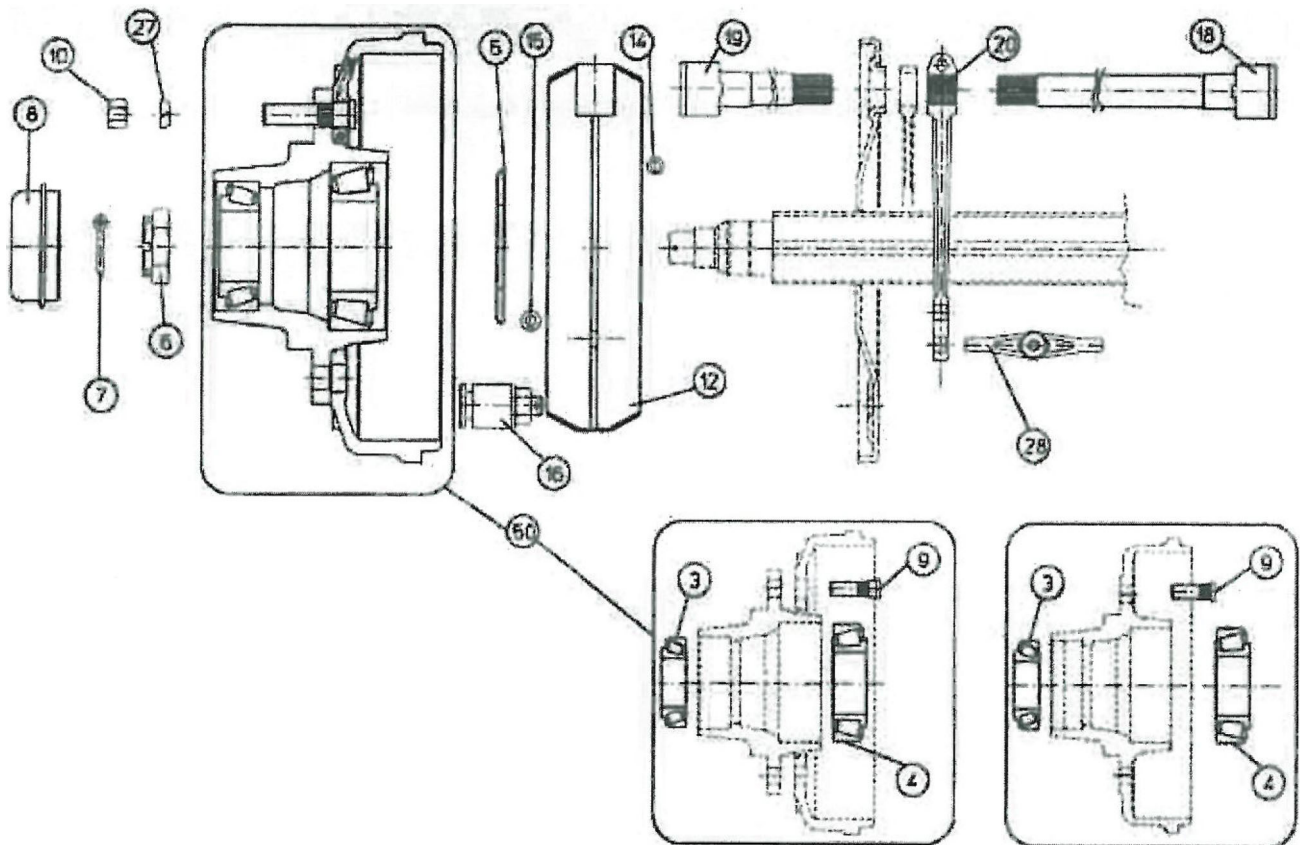
BAUER SX2000 pump



Pump Unit APV250 Model year 2012 - 2015	Date: 18/6-2015
	30

BAUER SX2000 pump				
Pos. no.	Item no.	Pcs.	Description	Note
1	23053450030	1	Bauer Slurry Pump SX2000	
2		2	Steel Bolt M16x220	
3		4	Washer M16	
4	250180336	2	Spacer for pump	
5	13100064	1	Ball valve female/male ½"	
6	000092404	1	Elbow 90° No.92 ½"	
7		2	Lock nut M16	
8	250180063	1	Plate for pump	
9		4	Lock nut M12	
10		8	Washer M12	
11		4	Bolt M12x70	

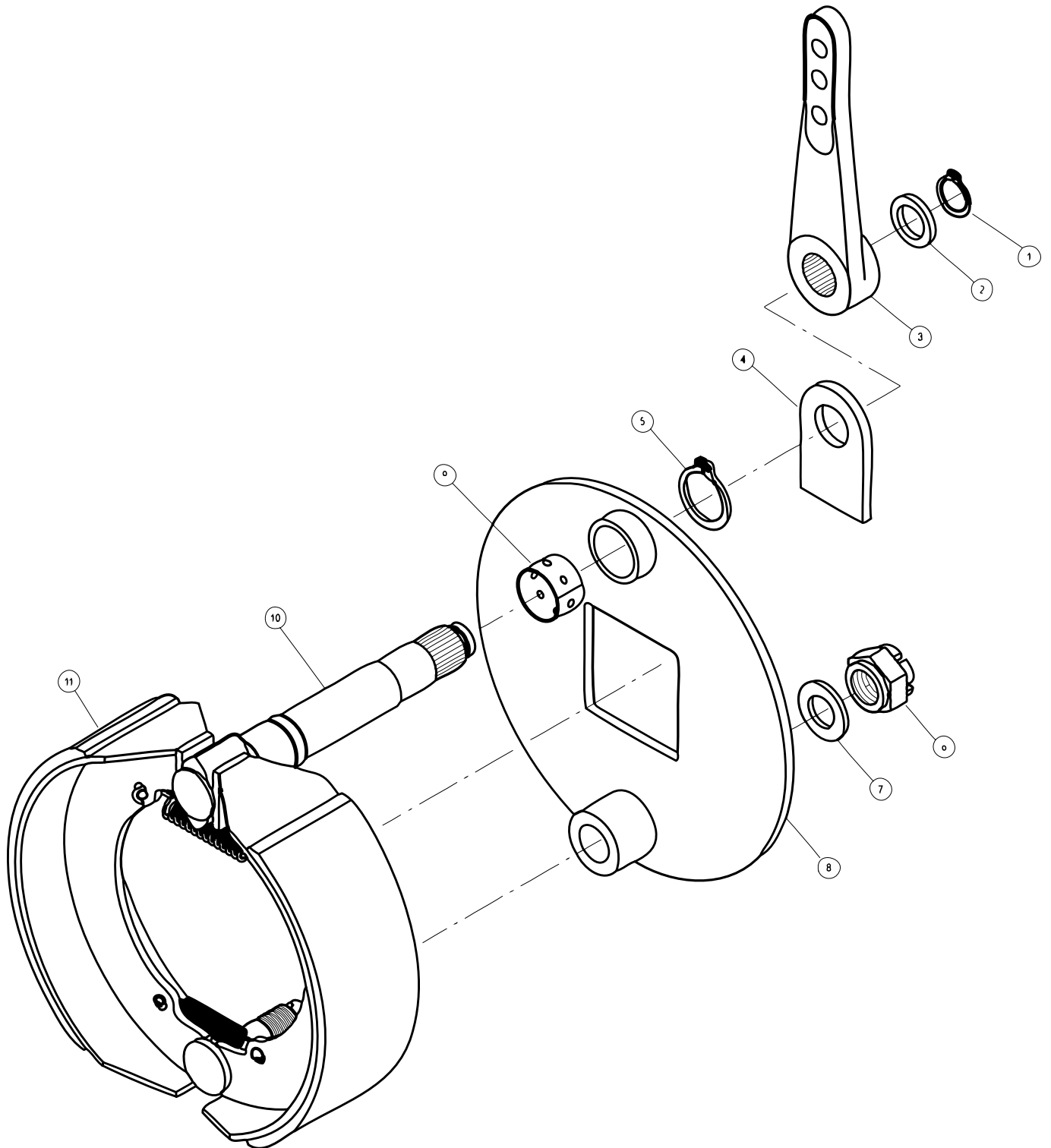
Hub for Hydraulic brake



Pump Unit APV250 Model year 2012 - 2015	Date: 18/6-2015
	31

Hub for Hydraulic brake				
Pos. no.	Item no.	Pcs.	Description	Note
3	2502311F034		Wheel bearings outside 30210	
4	2502311F040		Wheel bearings inside 30213	
5	2502324F003		Seal 65-120	
6	2502328F012		Crown nut M39x2 60x25	
7	2502310F006		Pin 6,3 x55	
8	2502307F049		Fat cap D.90mm	
9	2502309F024		Wheel bolts M18x1, 5x62	
10	2502312F010		Wheel nut M18x1, 5 spheric flange	
12	2502316A052		Brake shoes complete fixed 3009/1	
14	2502322F006		Spring top 18x4, 5x170 322F006	
16	2502356A0341		Hydraulic brake cylinder	
19	2502301F502		Brake shaft 30x24 100-180	
20			Brake lever	not available
50	2502323092FX		Drum hub - Aggregate	
	2502331F043		Brake drum 300x90 6L	

Hub for Pneumatic brake



Pump Unit APV250 Model year 2012 - 2015	Date: 18/6-2015
	32

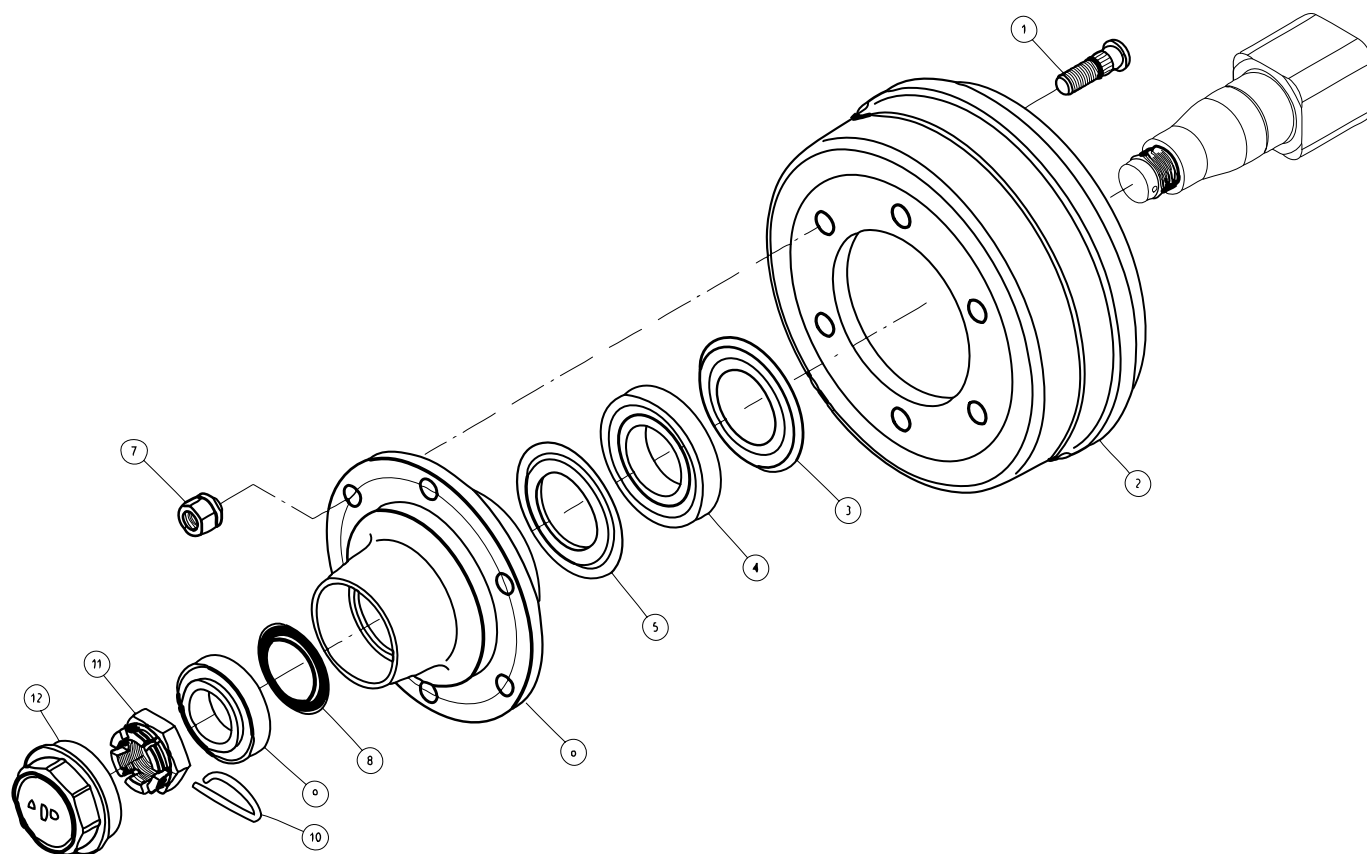
Hub for Pneumatic brake				
Pos. no.	Item no.	Pcs.	Description	Note
1	250258508		Retaining ring	
2	25029812601		Washer	
3	25027611503		Brake lever	
4	250274402106		Bracket	
5	250258513		Retaining ring	
6	250297124B1		Castle nut	
7	25029800241		Washer	
8	25027411C7015		Anchor Plate	
9	2502921B38		Bush	
10	250275A3552003		Brake shaft	
11	25027311C01		Brake shoes	

Date: 18/6-2015

32-1

Pump Unit APV250
Model year 2012 - 2015

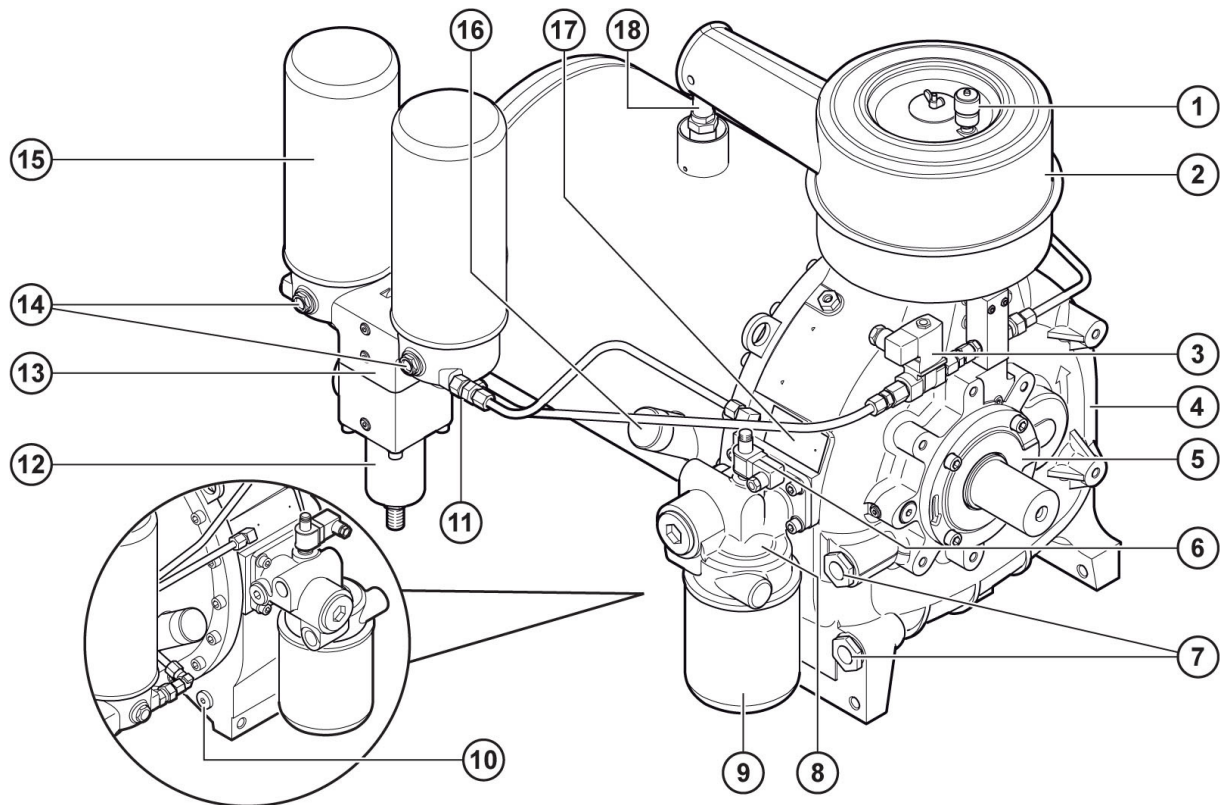
Hub for Pneumatic brake



Pump Unit APV250 Model year 2012 - 2015	Date: 18/6-2015
	32-1

Hub for Pneumatic brake				
Pos. no.	Item no.	Pcs.	Description	Note
1	250257118B4		Wheel Bolt	
2	250266LJB0605		Brake Drum	
3	25025411201		Sealing ring	
4	250259130213		Bearing	
5	25025511201		Sealing ring	
6	250261NA002		Hub	
7	250257318B4		Wheel nut	
8	25025530801		Sealing ring	
9	250259132210		Bearing	
10	250258205		Pin	
11	25025753B2		Castle nut	
12	250256109003		Grease Cap	

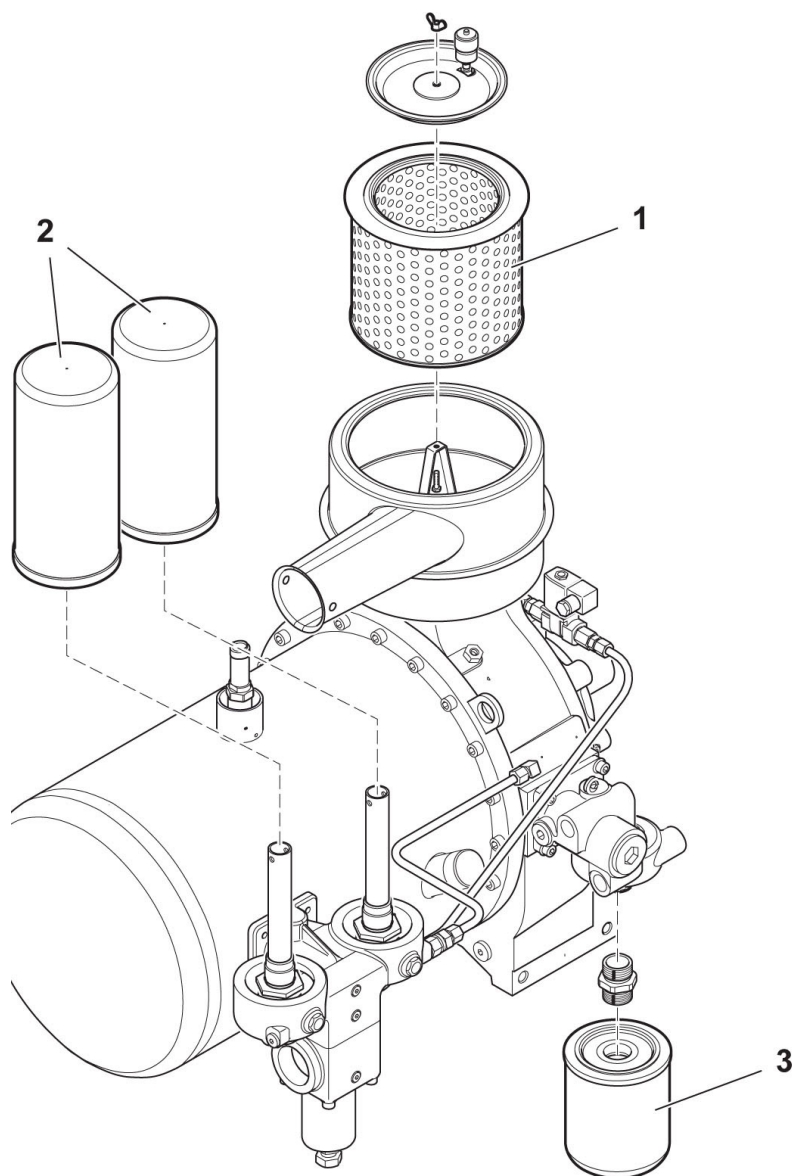
Screw compressor compact module NK 200



Pump Unit APV250 Model year 2012 - 2015	Date: 18/6-2015
	33

Screw compressor compact module NK 200				
Pos. no.	Item no.	Pcs.	Description	Note
1	25030509		Maintenance indicator for intake filter	(optional)
2			Intake filter	
3			Control unit, electric	
4			NK 200 basic module	
5			End cover	
6			Differential pressure indicator	(optional)
7			Inspection glasses, oil level indicator	
8			Thermostat head	
9	25030506		Oil filter	
10			Oil drain screw	
11			Oil intake non-return valve	
12			Minimum pressure valve	
13			Double separator head	
14			Inspection glasses, oil separation	
15	25030508		Fine separator cartridge	
16			Oil filler opening	
17			Nameplate	
18	25017054		Safety valve	(optional)

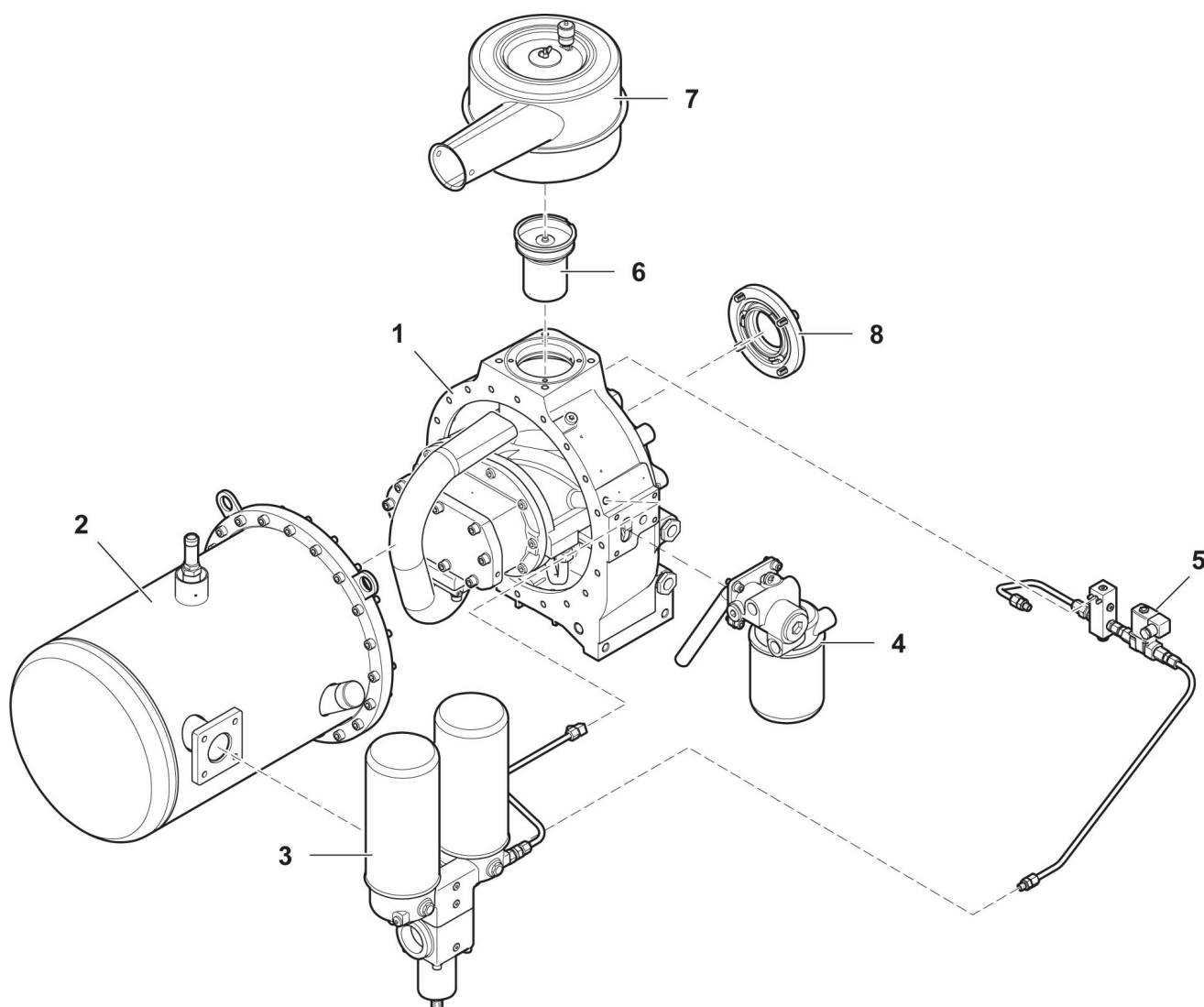
Screw compressor NK 200 - Filter



Pump Unit APV250 Model year 2012 - 2015	Date: 18/6-2015
	34

Screw compressor NK 200 - Filter				
Pos. no.	Item no.	Pcs.	Description	Note
1	25030507	1	Intake filter cartridge	
2	25030508	2	Separator cartridge	
3	25030506	1	Oil filter	

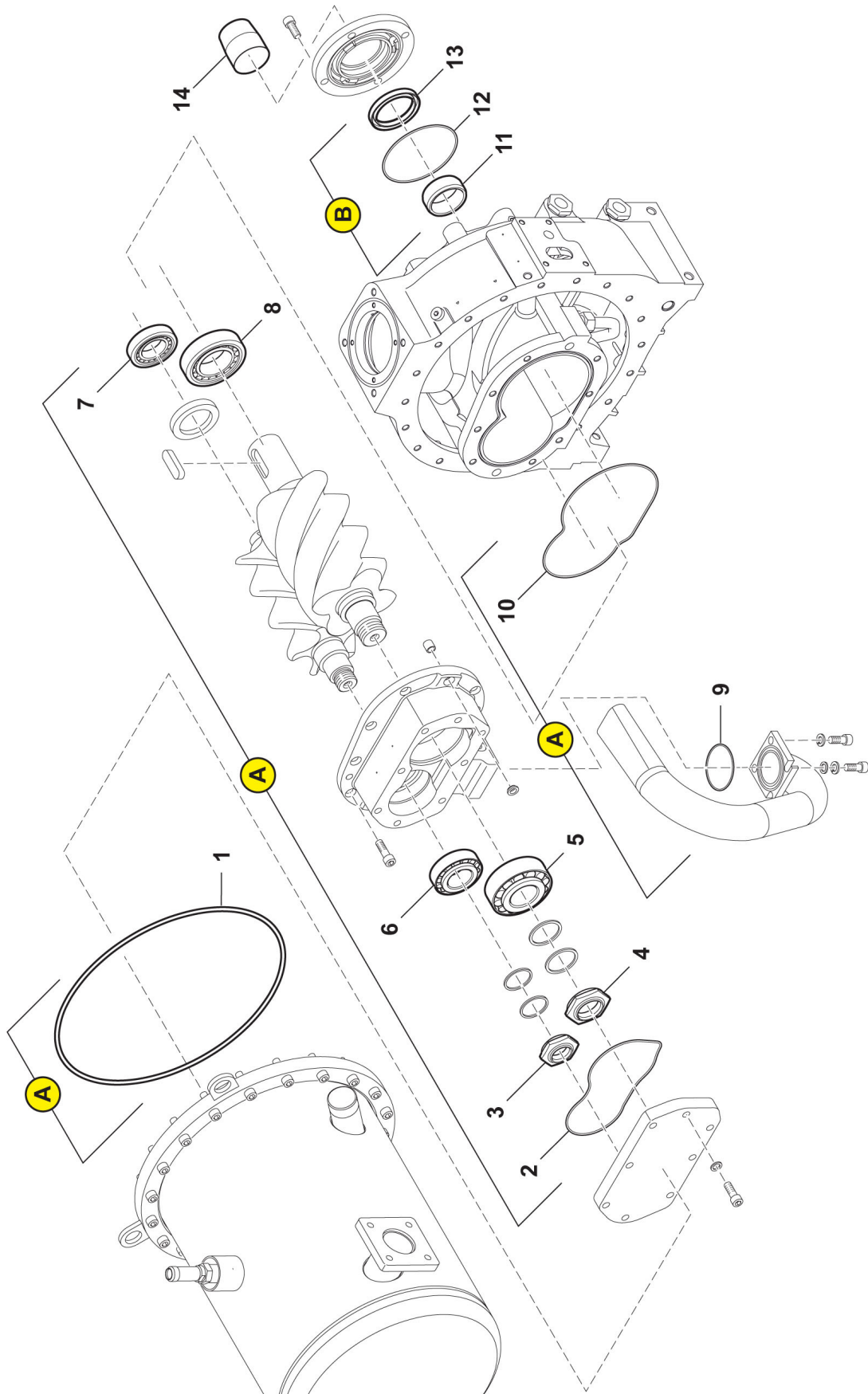
Screw compressor NK 200 - Components



Pump Unit APV250 Model year 2012 - 2015	Date: 18/6-2015
	35

Screw compressor NK 200 - Components				
Pos. no.	Item no.	Pcs.	Description	Note
1		1	Basic module cpl.; standard version	See Single Parts, Basic Module
2			Separator vessel cpl., Variants Parts List	
		1	Separator vessel cpl. up to 75kW, Demister	See Single Parts, Separator vessel and Double separator
[]		1	Separator vessel cpl. up to 55kW, (short version)	Not shown in drawing
3		1	Double separator cpl	See Single Parts, Separator vessel and Double separator
4			Thermostat head with Oil-Filter cpl., Variants Parts List	
	2501110331	1	Thermostat head with Oil-Filter 70°C cpl.	See Single Parts, Thermostat head
[]	250186954	1	Thermostat head with Oil-Filter 83° cpl.	Not shown in drawing
5			Control block electric cpl., Variants Parts List	
	2501120680	1	Control block electric cpl., with 2/2-way solenoid valve; 3/8"; 230V 50Hz; FPM; NO; PN16	See Single Parts, Control Block Electric
	2501120681	1	Control block electric cpl., with 2/2-way solenoid valve; 3/8"; 24V 50Hz; FPM; NO; PN16	See Single Parts, Control Block Electric
	2501120682	1	Control block electric cpl., with 2/2-way solenoid valve; 3/8"; 110V; 50-60Hz; FPM; NO; PN16	See Single Parts, Control Block Electric
	2501120683	1	Control block electric cpl., with 2/2-way solenoid valve; 3/8"; 24V; DC; FPM; NO; PN16	See Single Parts, Control Block Electric
6		1	Intake control cpl.	See Single Parts, Intake Control and Intake Filter
7		1	Intake filter cpl.	See Single Parts, Intake Control and Intake Filter
8			Front cover cpl., Variants Parts List	
		1	Front cover cpl.	See Single Parts Front Cover
[]		1	Front cover cpl.; with dust cover	Not shown in drawing

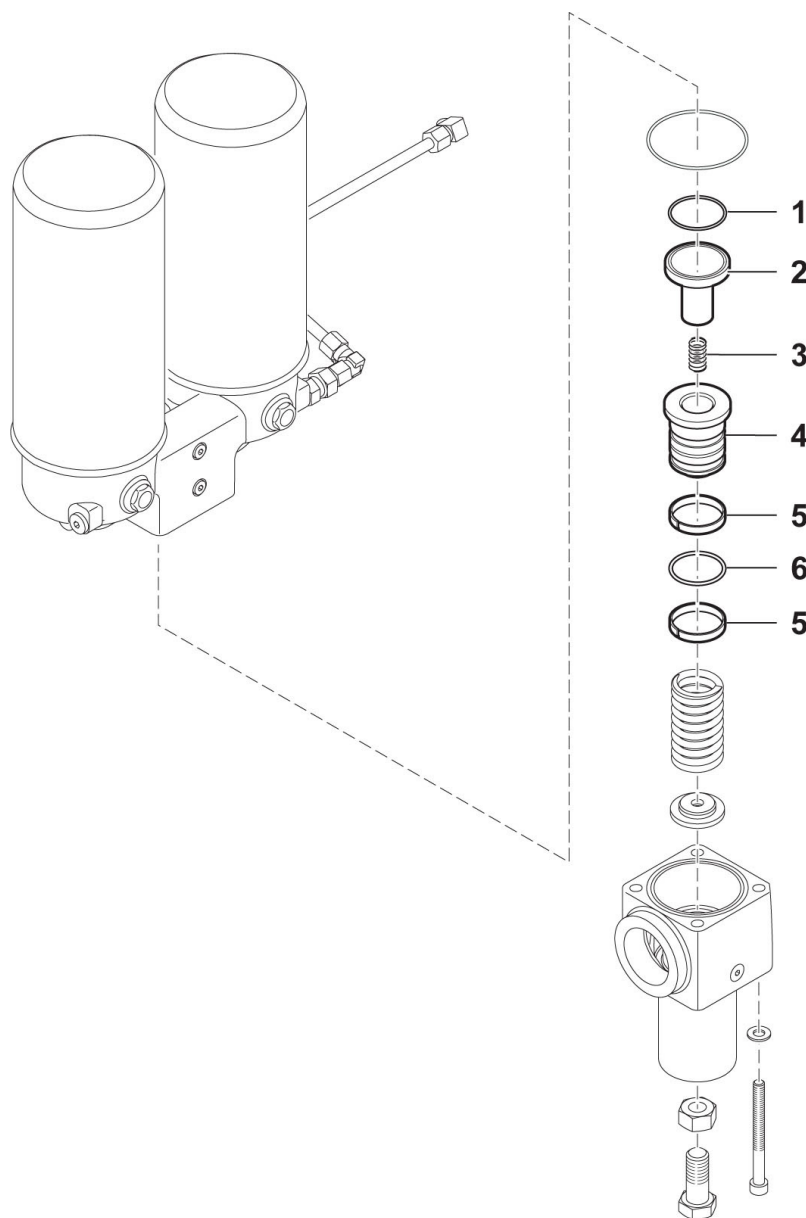
Screw compressor NK 200 - Maintenance Kit, Bearing and Shaft Sealing



Pump Unit APV250 Model year 2012 - 2015	Date: 18/6-2015
	36

Screw compressor NK 200 - Maintenance Kit, Bearing and Shaft Sealing				
Pos. no.	Item no.	Pcs.	Description	Note
A	250187215	1	Maintenance Kit Bearing	
1	2501N28867	1	O-ring	
2	2501110265	1	O-ring	
3	2501111536	1	Shaft nut	
4	2501111535	1	Shaft nut	
5	2501111512	1	Taper roller bearing	
6	2501111520	1	Taper roller bearing	
7	2501111516	1	Roller bearing	
8	2501111515	1	Roller bearing	
9	2501100636	1	O-ring	
10	2501111532	1	O-ring	
B	2501111547	1	Maintenance Kit Shaft Sealing	
11	2501111522	1	Inner ring	
12	2501111531	1	O-ring	
13	2501111538	1	Shaft sealing ring	
14	2501110318	1	Mounting bush	
[15]	2501102017	1	Silicone	

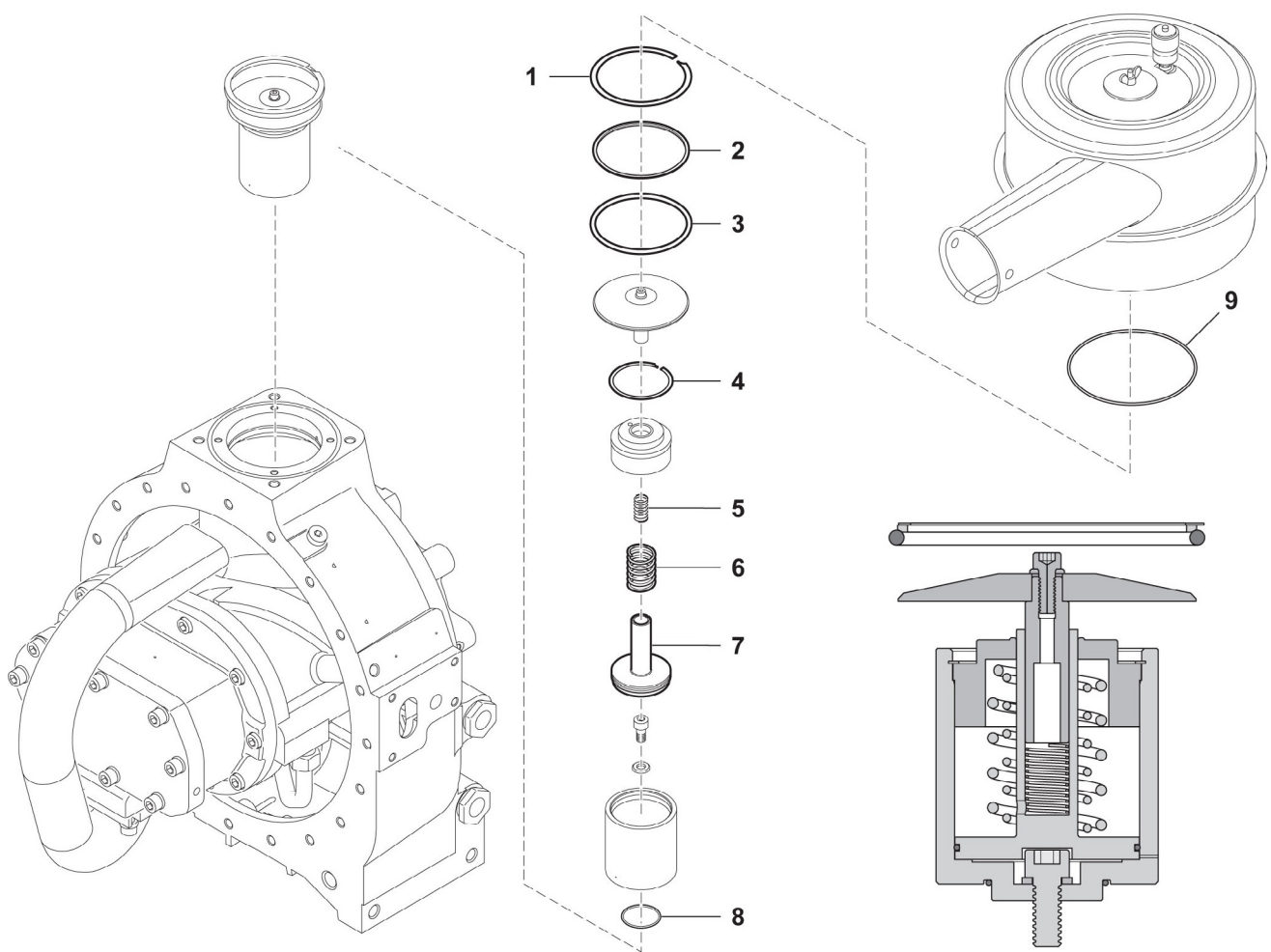
Screw compressor NK 200 - Maintenance Kit: Minimum Pressure Valve, Double Separator



Pump Unit APV250 Model year 2012 - 2015	Date: 18/6-2015
	37

Screw compressor NK 200 - Maintenance Kit: Minimum Pressure Valve, Double Separator				
Pos. no.	Item no.	Pcs.	Description	Note
	2501N29070	1	Maintenance Kit Minimum Pressure Valve	
1	2501N29071	1	O-ring	
2	2501106426	1	Non return valve	
3	2501106427	1	Pressure spring	
4	2501106425	1	Piston package	
5	2501N29072	2	Slide ring sealing	
6	2501N29077	1	Gasket	

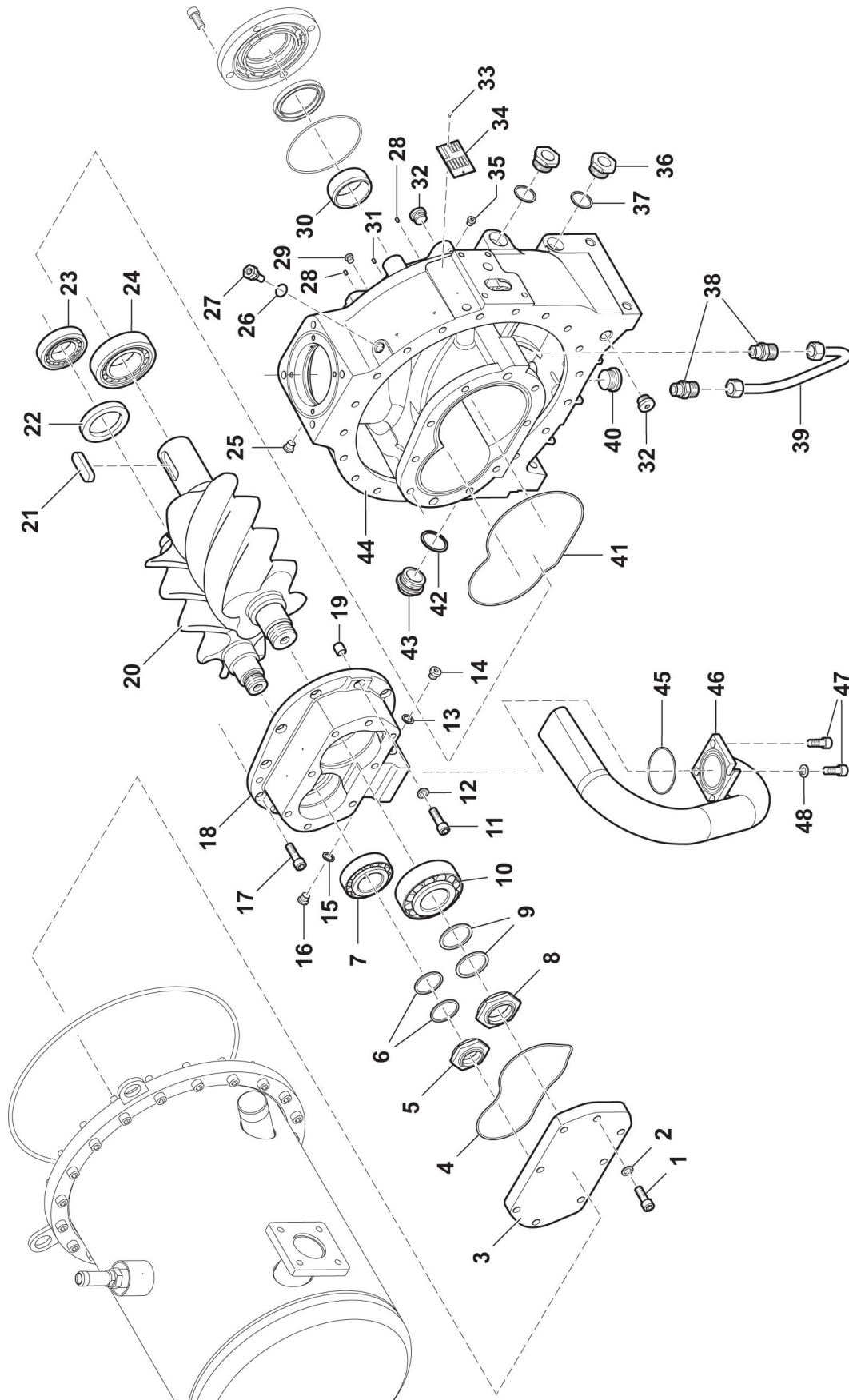
Screw compressor NK 200 - Maintenance Kit: Intake Valve



Pump Unit APV250 Model year 2012 - 2015	Date: 18/6-2015
	38

Screw compressor NK 200 - Maintenance Kit: Intake Valve				
Pos. no.	Item no.	Pcs.	Description	Note
	2501120710	1	Maintenance Kit Intake Valve	
1	2501110946	1	Snap ring CSSS Light	
2	2501116994	1	Ring	
3	2501110363	1	O-ring	
4	2501110947	1	Snap ring CSSS Light	
5	2501N28871	1	Pressure spring	
6	2501N28872	1	Pressure spring	
7	2501110356	1	Piston cpl.	
8	2501N28868	1	O-ring	
9	2501N19123	1	O-ring	

Screw compressor NK 200 - Single Parts: Basic Module



Pump Unit APV250
Model year 2012 - 2015

Date: 18/6-2015

39

Screw compressor NK 200 - Single Parts: Basic Module

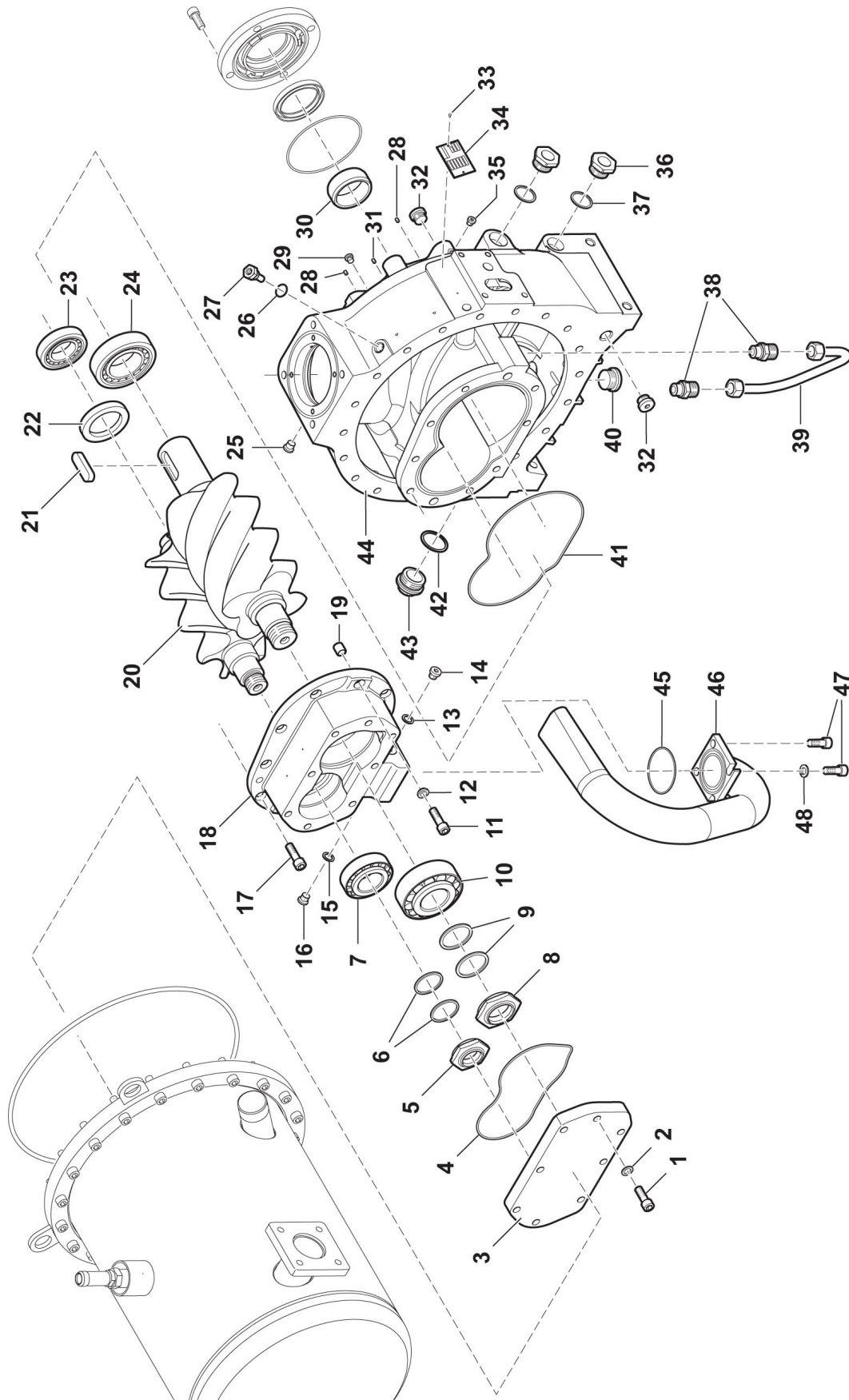
Pos. no.	Item no.	Pcs.	Description	Note
1	2501N4569	8	Pan head screw	
2	2501111126	8	Washer	
3	250186808	1	End cover	
4	2501110265	1	O-ring	
5	2501111536	1	Shaft nut	
6	2501110227	2	Spacer	
7	2501111520	1	Tapper roller bearing	
8	2501111535	1	Shaft nut	
9	2501110226	2	Spacer	
10	2501111512	1	Tapper roller bearing	
11	2501N4569	2	Pan head screw	
12	2501111311	2	Ring	
13	2501106592	1	Sealing ring	
14	2501115409	1	Locking screw	
15	2501114250	1	Sealing ring	
16	2501112763	1	Locking screw	
17	2501114911	8	Pan head screw	
18	2501111653	1	Bearing Cover	
19	2501113365	2	Centering device	
20	2501111517	1	Rotor pair	
21	2501111533	1	Key	
22	2501111539	1	Ring	
23	2501111516	1	Roller bearing	
24	2501111515	1	Roller bearing	
25	2501N16394	1	Locking screw	
26	2501N1314	1	Sealing ring	
27	2501104565	1	Locking screw	
28	2501113932	2	Threated pin with nozzle	
29	2501N16504	1	Locking screw	
30	2501111522	1	Inner ring	
31	2501113931	1	Threated pin	
32	2501N90040	2	Locking screw	
33	2501103620	2	Pin	
34	2501110376	1	Name plate	
35	2501N16504	2	Locking screw	
36	2501111029	2	Oil level check	
37	2501N8114	2	Sealing ring	
38	2501N20075	2	Straight union	
39	250187335	1	Tube cpl.	

Date: 18/6-2015

39-1

Pump Unit APV250
Model year 2012 - 2015

Screw compressor NK 200 - Single Parts: Basic Module



Pump Unit APV250 Model year 2012 - 2015	Date: 18/6-2015
	39-1

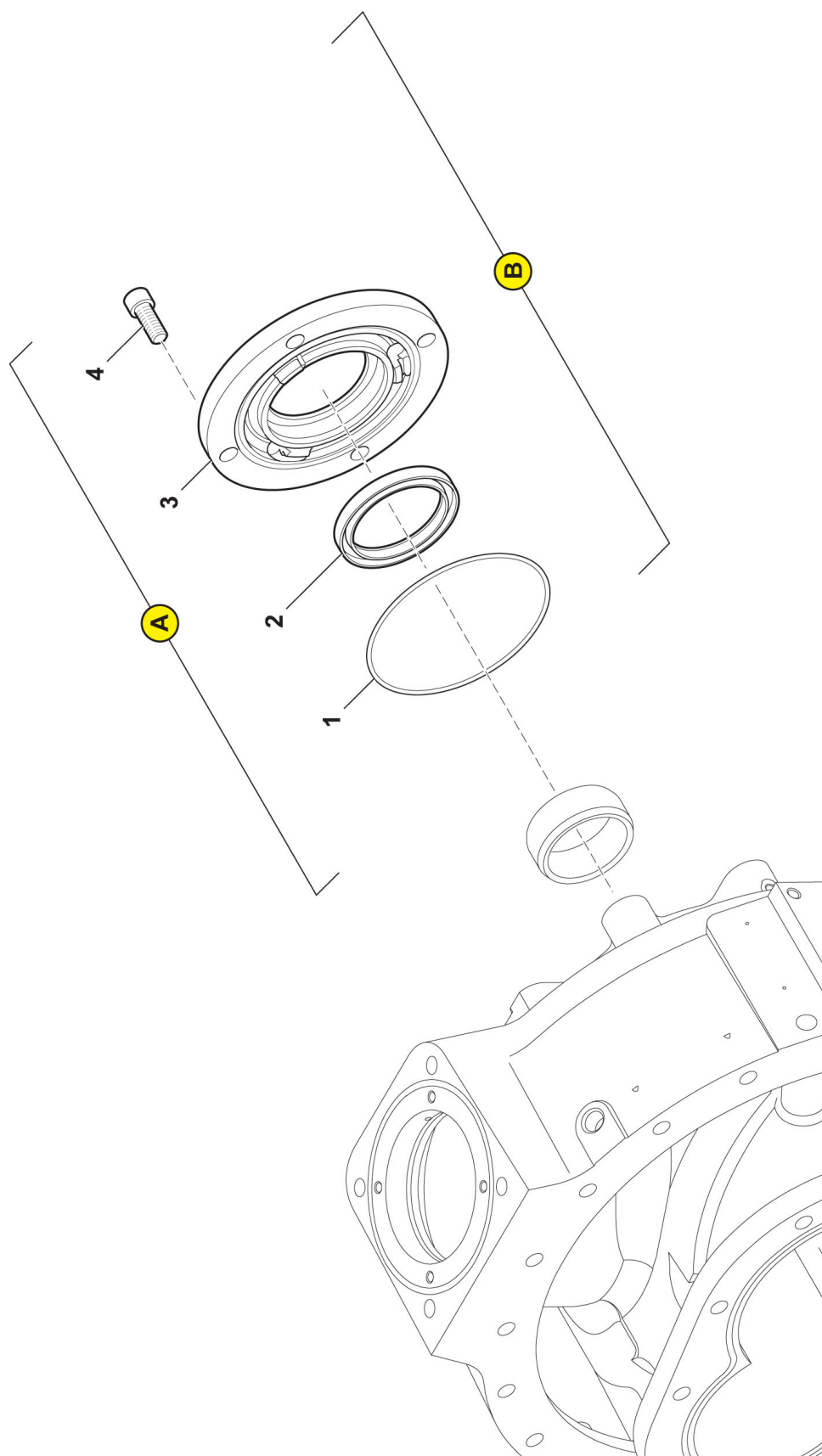
Screw compressor NK 200 - Single Parts: Basic Module				
Pos. no.	Item no.	Pcs.	Description	Note
40	2501N16391	1	Locking screw	
41	2501111532	1	O-ring	
42	2501N7758	1	Sealing ring	
43	2501114993	1	Locking screw	
44	2501110662	1	Housing	
45	2501100636	1	O-ring	
46	250185180	1	Outlet tube	
47	2501112765	4	Pan head screw	
48	2501103582	2	Lock washer	

Date: 18/6-2015

40

Pump Unit APV250
Model year 2012 - 2015

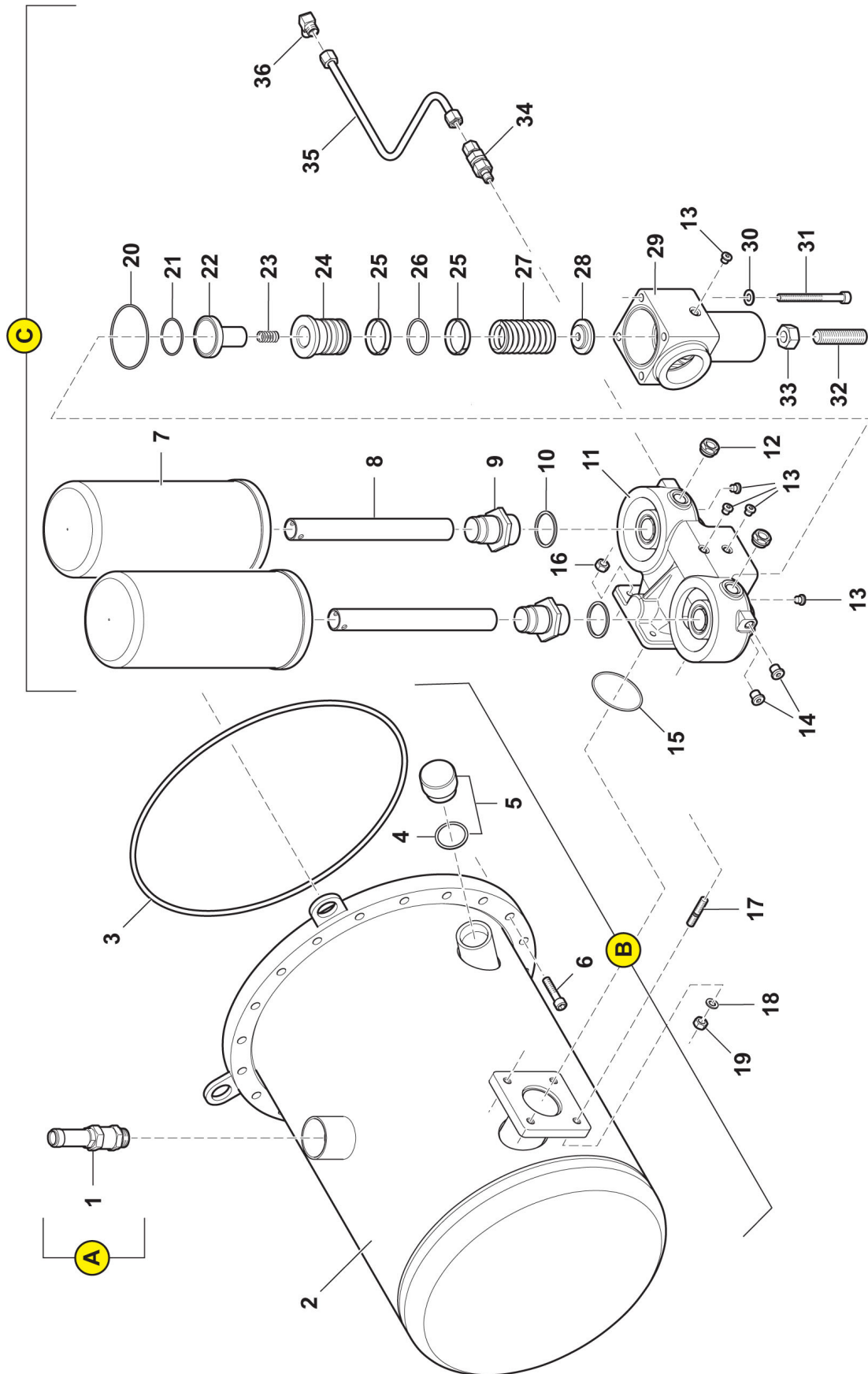
Screw compressor NK 200 - Single Parts: Front Cover



Pump Unit APV250 Model year 2012 - 2015	Date: 18/6-2015
	40

Screw compressor NK 200 - Single Parts: Front Cover				
Pos. no.	Item no.	Pcs.	Description	Note
A	2501120125	1	Front Cover cpl.; Standard	
1	2501111531	1	O-ring	
2	2501111538		Shaft sealing ring	
3	2501111514	1	Front cover	
4	2501112765	4	Pan head screw	
B	250187866	1	Front cover cpl.; with Dust Cover	
1	2501111531	1	O-ring	
[2]	250187860		Shaft sealing ring with dust cover	
3	2501111514	1	Front cover	
4	2501112765	4	Pan head screw	

Screw compressor NK 200 - Single Parts: Separator vessel and Double separator



Pump Unit APV250
Model year 2012 - 2015

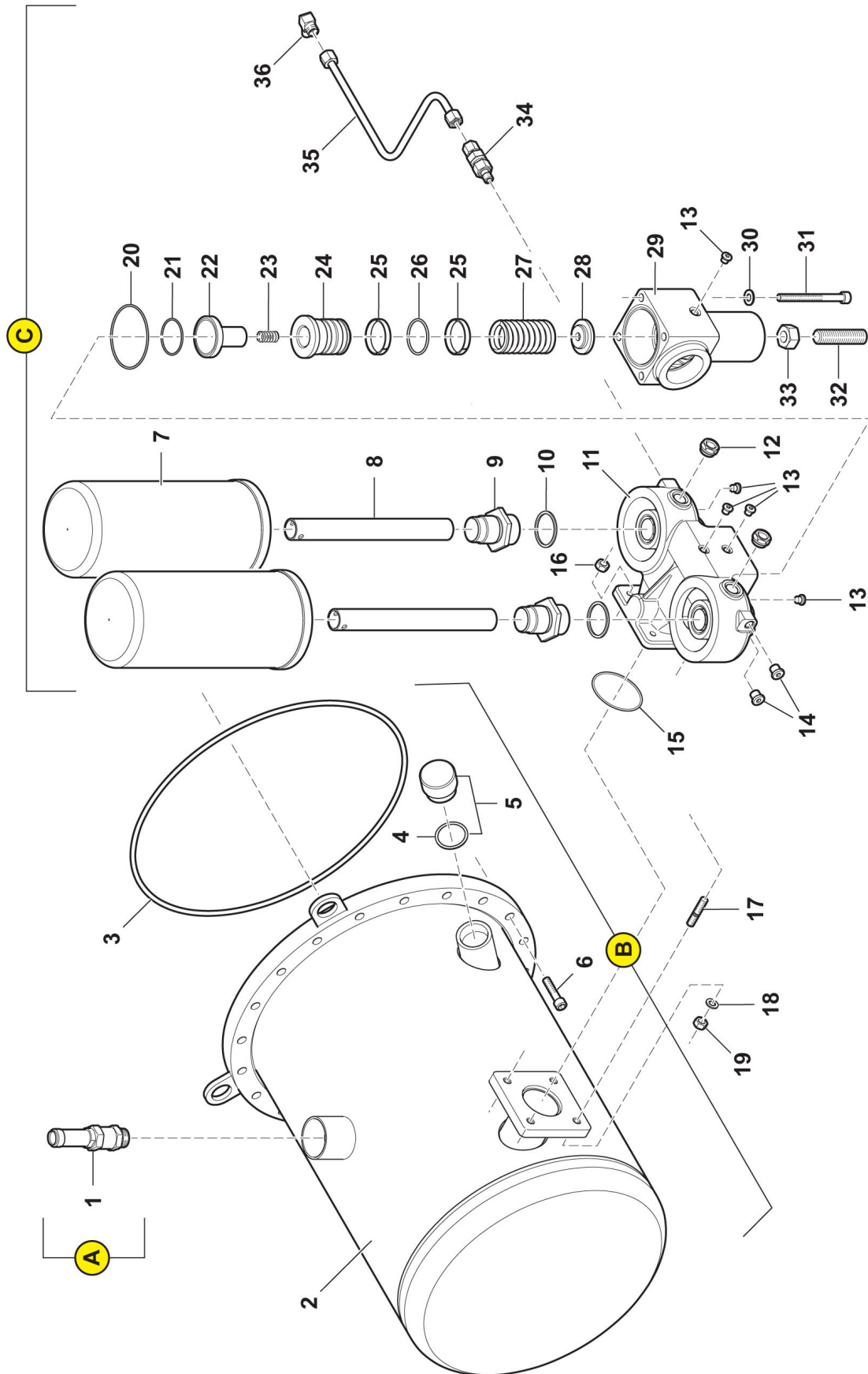
Date: 18/6-2015

41

Screw compressor NK 200 - Single Parts: Separator vessel and Double separator

Pos. no.	Item no.	Pcs.	Description	Note
A			Front Cover cpl.	
1	25017054	1	Viton sealed safety valve; 3/4"; 10 bar	
B			Separator Vessel	
2			Separator vessel, Variants Parts List	
	250187681	1	Separator vessel (long) for Separator vessel 87849 cpl. up to 75 kW, Demister	Variant
[]	2501110812	1	Separator vessel (short) for Separator vessel 87250 cpl. up to 55 kW	Variant
3	2501N28867	1	O-ring	
4	2501115068	1	Gasket	
5	2501115100	1	Union	
6	2501115087	20	Pan head screw	
C			Double separator	
7	25030508	2	Separator cartridge	
8	2501109032	2	Tube, air guide tube	
9	2501109033	2	Double nipple	
10	2501N7758	2	Sealing ring	
11	2501110351	1	Double separator head	
12	2501115477	2	Gauge glas	
13	2501N16504	5	Locking screw	
14	2501N16394	2	Locking screw	
15	2501100636	1	O-ring	
16	2501N177	4	Hexagon nut	
17	2501N15972	4	Stud bolt	
18	2501N16	4	Washer	
19	2501N644	4	Hexagon nut	
20	2501N29082	1	O-ring	
21	2501N29071	1	O-ring	
22	2501115605	1	Non return valve	
23	2501106427	1	Pressure spring	
24	2501106425	1	Piston package	
25	2501N29072	2	Slide ring sealing	
26	2501N29077	1	Gasket	
27	2501106428	1	Pressure spring	
28	2501111289	1	Retainer	
29	2501110342	1	Valve housing	

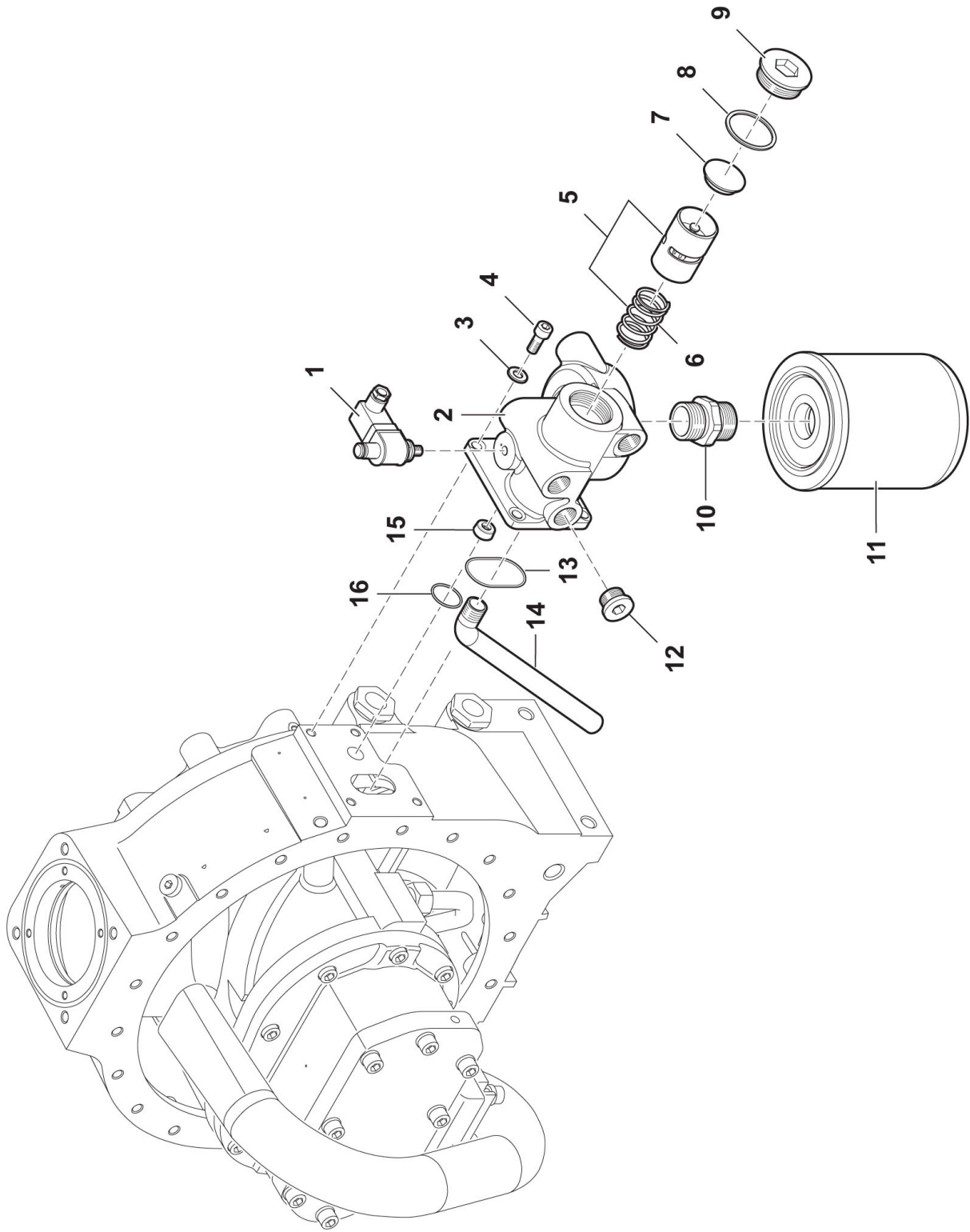
Screw compressor NK 200 - Single Parts: Separator vessel and Double separator



Pump Unit APV250 Model year 2012 - 2015	Date: 18/6-2015
	41-1

Screw compressor NK 200 - Single Parts: Separator vessel and Double separator				
Pos. no.	Item no.	Pcs.	Description	Note
30	2501N16	4	Washer	
31	2501N15650	4	Pan head screw	
32	2501N15653	1	Threated pin	
33	2501104791	1	Hexagon nut	
34	2501115605	1	Non return valve	
35	250186665	1	Tube with union	
36	2501N20007	1	Union	

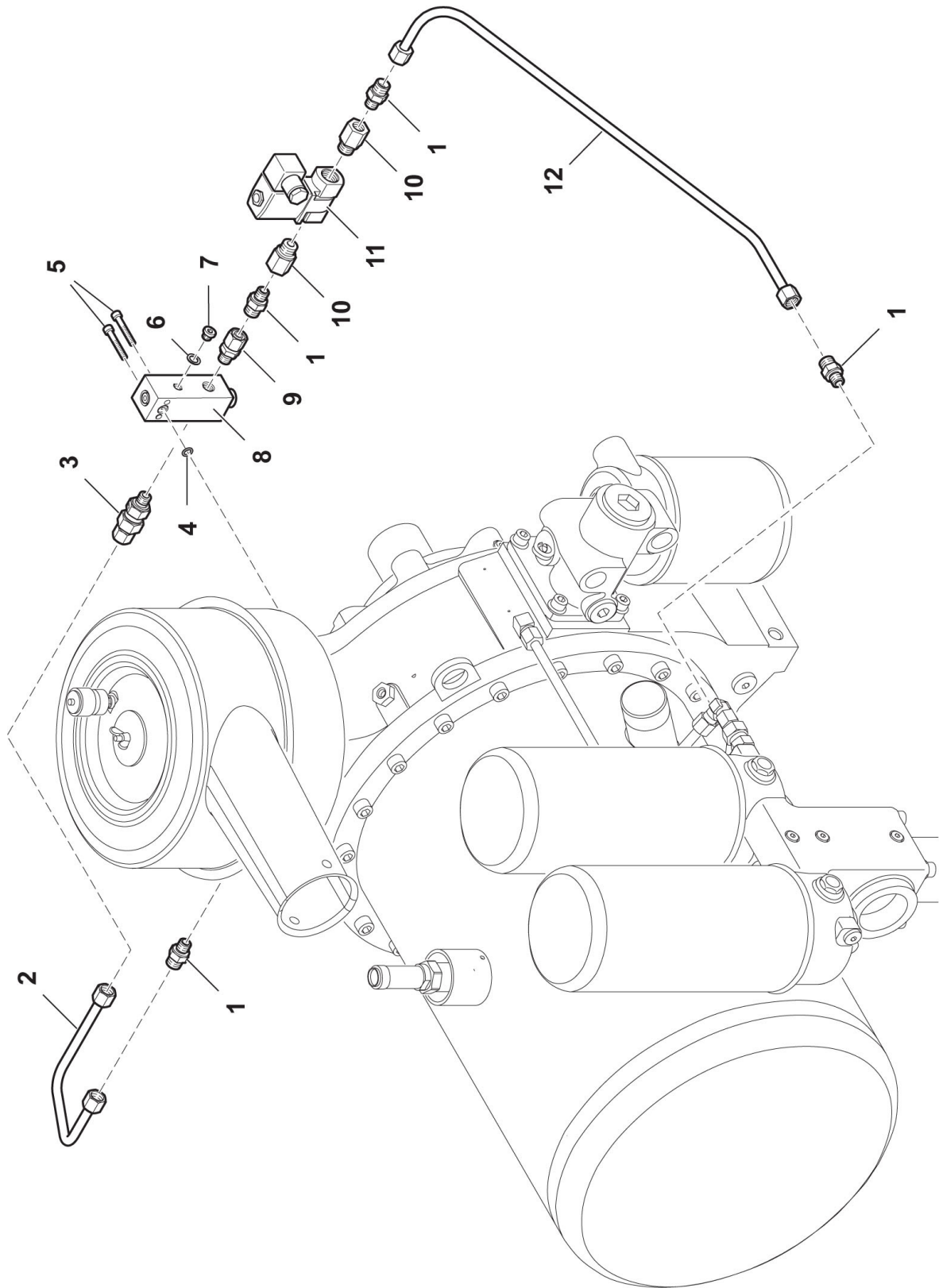
Screw compressor NK 200 - Single Parts: Thermostat head



Pump Unit APV250 Model year 2012 - 2015	Date: 18/6-2015
	42

Screw compressor NK 200 - Single Parts: Thermostat head				
Pos. no.	Item no.	Pcs.	Description	Note
1	2501105572	1	Differential pressure indicator	
2	2501110326	1	Thermostat head	
3	2501N16	4	Washer	
4	2501N19566	4	Pan head screw	
5		1	Thermostat slider, Variants Parts List	
	2501110330	1	Thermostat slider with pressure spring for Thermostat head cpl. 110331 with Oil-Filter 70°	Variant
	2501N30026		Thermostat slider pressure spring for Thermostat head cpl. 86954 with Oil-Filter 83°	Variant
6	2501110329	1	Pressure spring	
7	2501120079	1	Washer	
8	2501N9522	1	Sealing ring	
9	2501N29025	1	Locking screw	
10	2501110338	1	Double nipple	
11	2501111350	1	Oil filter	
12	2501N4976	1	Locking screw	
13	2501110955	1	O-ring	
14	2501110888	1	Pipe	
15	250186694		Locking screw	
16	2501106461	1	O-ring	

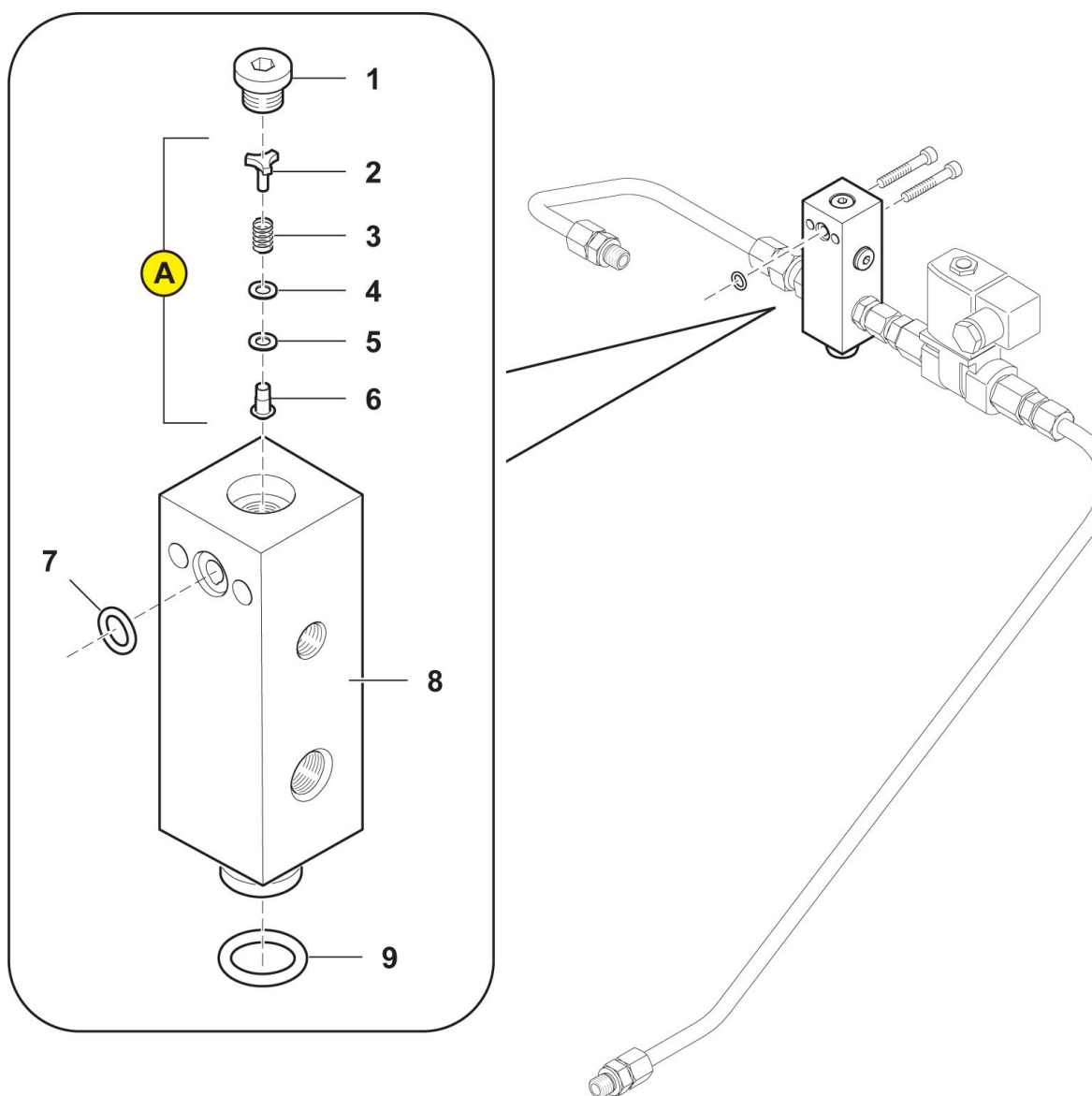
Screw compressor NK 200 - Single Parts: Control Block Electric



Pump Unit APV250 Model year 2012 - 2015	Date: 18/6-2015
	43

Screw compressor NK 200 - Single Parts: Control Block Electric				
Pos. no.	Item no.	Pcs.	Description	Note
1	2501N20017	4	Straight union	
2	250186567	1	Pipe cpl.	
3	2501108106	1	Non-return-valve	
4	2501N16628	1	O-ring	
5	2501N19538	2	Pan head screw	
6	2501N4051	1	Sealing ring	
7	2501N15688	1	Locking screw	
8	250186512-KD	1	Control valve cpl.	
9	2501101908	1	Straight union	
10	2501N9941		Reducing fitting with treat	
11			Solonoid Valve, Variants Parts List	
	2501N29860	1	2/2-way solonoid valve; 3/8"; 230 V 50 Hz; FPM; NO; PN 16. For control block electric 120680	Variant
	2501N29864	1	2/2-way solonoid valve; 3/8"; 24 V; 50 Hz; FPM; NO; PN 16. For control block electric 120681	Variant
	2501N30050	1	2/2-way solonoid valve; 3/8"; 110 V; 50 - 60 Hz; FPM; NO; PN 16. For control block electric 120682	Variant
	2501N30294	1	2/2-way solonoid valve; 3/8"; 24 V; DC; FPM; NO; PN 16. For control block electric 120683	Variant
12	2501111268		Hose with screw connection	

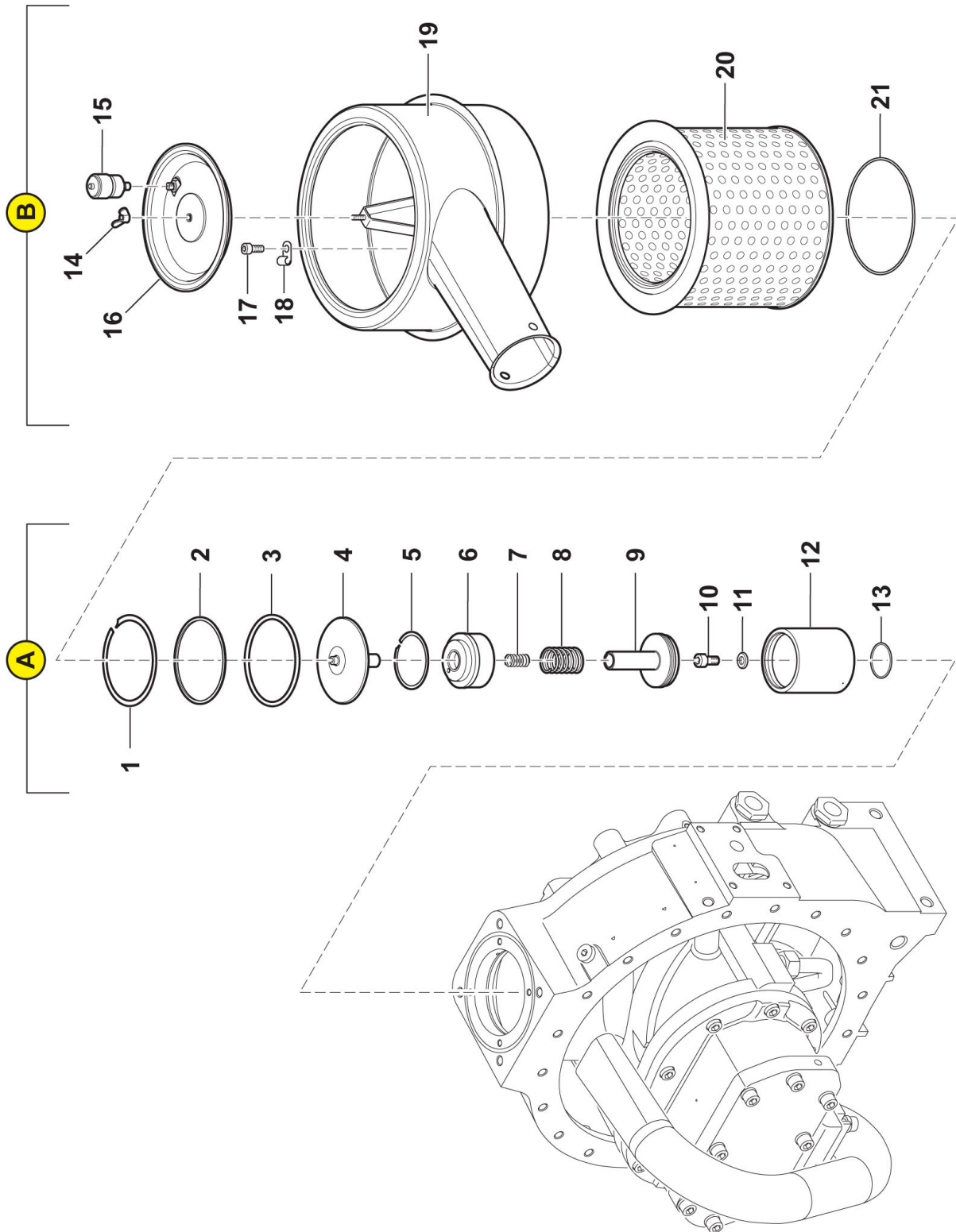
Screw compressor NK 200 - Single Parts: Electric Control Block, Control Valve



Pump Unit APV250 Model year 2012 - 2015	Date: 18/6-2015
	44

Screw compressor NK 200 - Single Parts: Electric Control Block, Control Valve				
Pos. no.	Item no.	Pcs.	Description	Note
1	2501N16504		Locking screw	
A	2501N28955		Valve Element	Available completely only
2	2501N28954	1	Washer	
3	2501N28953	1	Pressure spring	
4	2501N28952	1	Washer	
5	2501N28950	1	Washer	
6	2501N28949	1	Cone	
7	2501N16628	1	O-ring	
8	250186566	1	Control Valve	
9	2501N28935	1	O-ring	

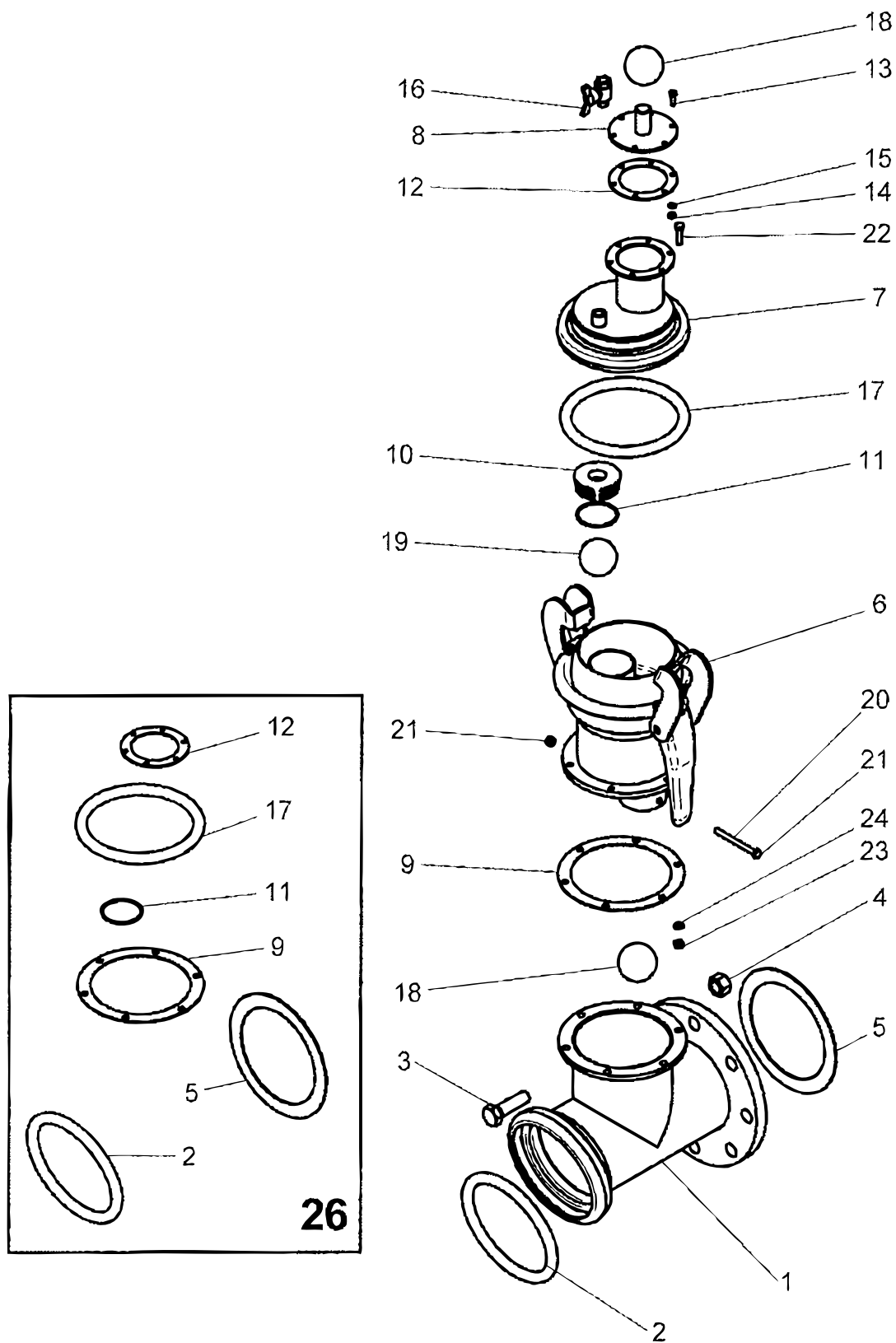
Screw compressor NK 200 - Single Parts: Intake Control and Intake Filter



Pump Unit APV250 Model year 2012 - 2015	Date: 18/6-2015
	45

Screw compressor NK 200 - Single Parts: Intake Control and Intake Filter				
Pos. no.	Item no.	Pcs.	Description	Note
A			Intake Control	
1	2501110946	1	Snap ring CSSS Light	
2	2501116994	1	Ring	
3	2501110363	1	O-ring	
4	2501110356	1	Plate cpt.	
5	2501110947	1	Snap ring CSSS Light	
6	2501110355	1	Barrel head	
7	2501N28871	1	Pressure spring	
8	2501N28872	1	Pressure spring	
9	2501110356	1	Piston cpl.	
10	2501N1469	1	Pan head screw	
11	2501103820	1	Lock washer	
12	2501110354	1	Piston valve cylinder	
13	2501N28868	1	O-ring	
B			Intake Filter	
14	2501N36	1	Wing nut	
15	2501N2221	1	Underpressure controller	
16	2501N18904	1	Filter cap	
17	2501N19546	4	Pan head screw	
18	2501N18905	4	Clamp spring	
19	2501112016	1	Filter housing	
20	25030507	1	Intake filter cartridge	
21	2501N19123	1	O-ring	

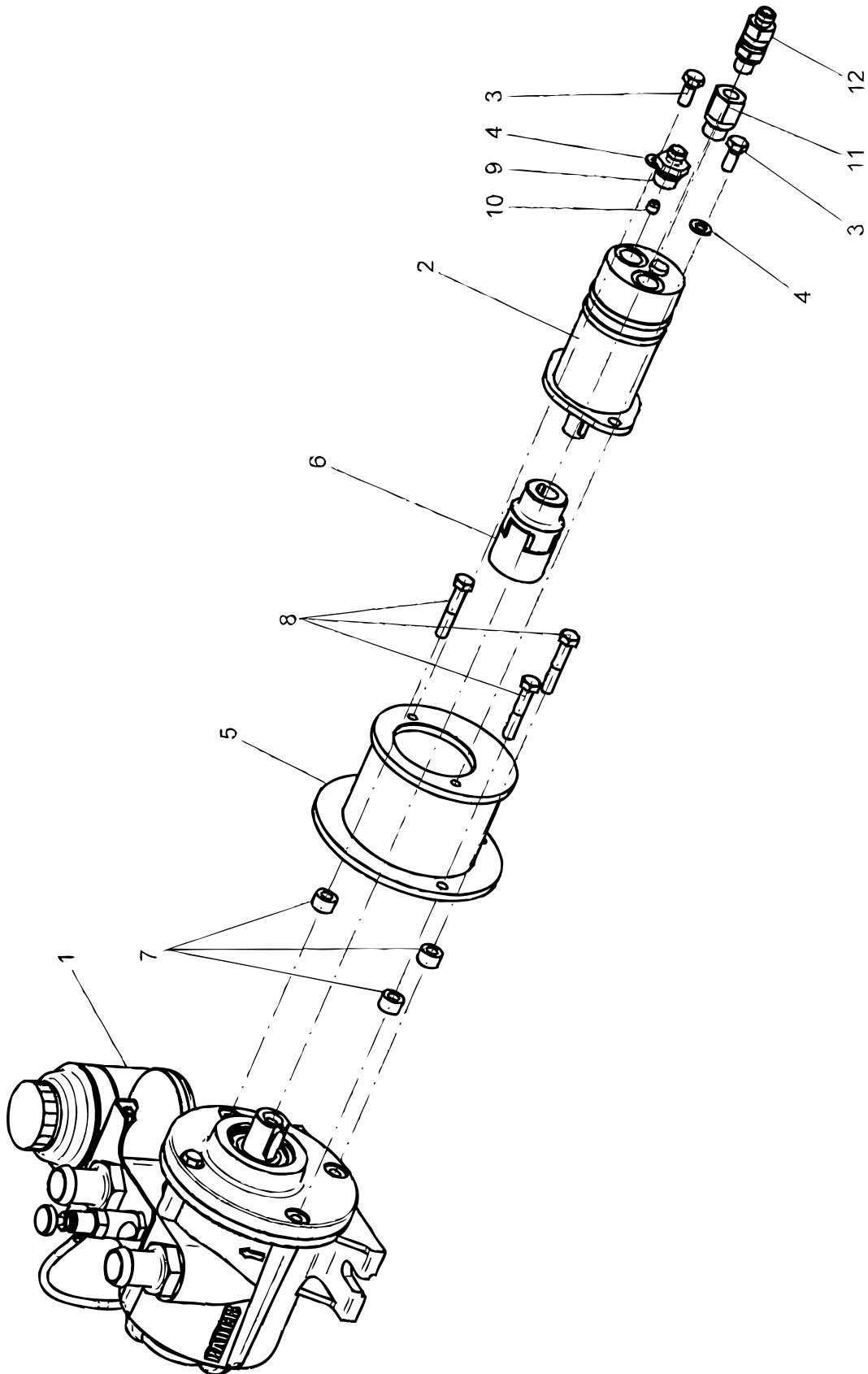
BAUER Self-priming Unit - T-piece



Pump Unit APV250 Model year 2012 - 2015	Date: 18/6-2015
	46

BAUER Self-priming Unit - T-piece				
Pos. no.	Item no.	Pcs.	Description	Note
1		1	Tee heavy HK159	
2		1	Rubber sealing ring S4/194	
3		8	Screw M20x70 DIN931 galv.	
4		8	Hex. nut DIN934 galv. M20	
5		1	Paper gasket NW150, ND16	
6		1	Separator, heavy	
7		1	Socket, heavy	
8		1	Connector, heavy	
9		1	Flange	
10		1	Rotating part with seal kit	
11		1	O-ring NBR70 64x3	
12		1	Cover gasket	
13		6	Hex. screw DIN933 galv. M6x20	
14		6	Hex. nut DIN934 galv. M6	
15		6	Spring washer DIN127-B6-VZ	
16		1	Ball valve male/female 3/8"	
17		1	Rubber sealing ring S4/159	
18		2	Siphon ball 60 100g	
19		1	Valve ball 160-180g	
20		1	Threaded rod DIN975 A2 RF M8 L=96	
21		2	Hex. nut DIN980 M8 self-locking	
22		6	Hex. screw DIN933 galv. M8x30	
23		6	Hex. nut DIN934 galv. M8	
24		6	Washer DIN126-9-vz.	
26	23093442150	1	Rep. Kit: Seal	

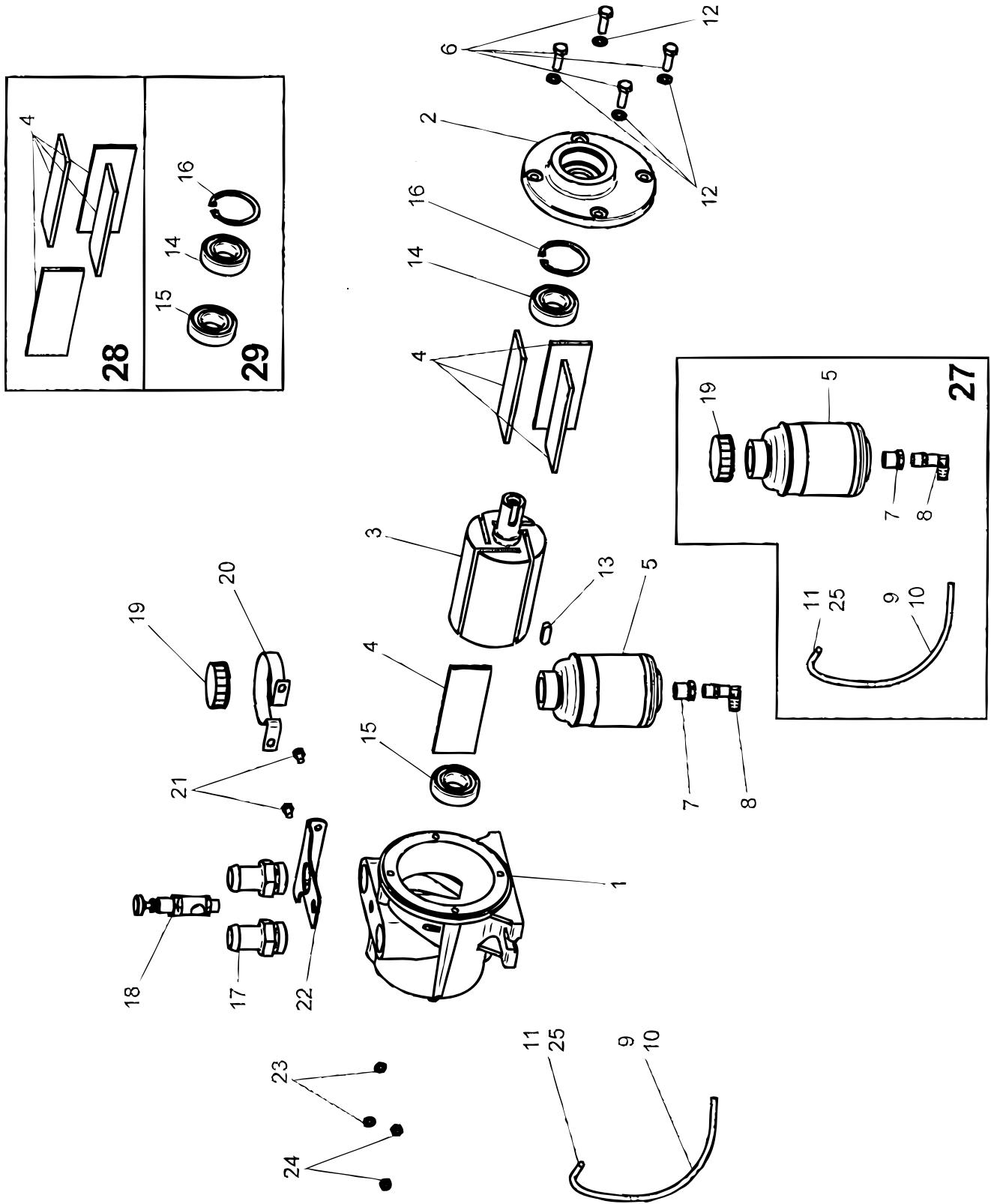
BAUER Self-priming Unit - Evacuating pump with hydro gear



Pump Unit APV250 Model year 2012 - 2015	Date: 18/6-2015
	47

BAUER Self-priming Unit - Evacuating pump with hydro gear				
Pos. no.	Item no.	Pcs.	Description	Note
1	23093431310	1	Vacuum pump	
2	23093431485	1	Hydro motor for Primer	
3		2	Hex. Screw DIN933 galv. M8x16 8.8	
4		2	Lock washer DIN127 B8 galv.	
5		1	Spacer heavy	
6	23093431495	1	Coupling	
7		3	Spacer sleeve	
8		3	Hex. Screw DIN933 M8x40	
9		1	Screw 3/8" with thread	
10		1	Throttle	
11		1	Reduction 3/8"x1/4"	
12		1	Return valve 1/4"	

BAUER Self-priming Unit - Evacuating pump



Pump Unit APV250
Model year 2012 - 2015

Date: 18/6-2015

48

BAUER Self-priming Unit - Evacuating pump

Pos. no.	Item no.	Pcs.	Description	Note
1		1	Housing	
2		1	Housing cover	
3		1	Rotor	
4		4	Lamelle HGW 2082 120X45	
5		1	Oil tank	
6		4	Hex screw DIN933 M8x30	
7		1	Plug, short 3/8" with 1/8" thread	
8		1	Elbow 4241-4-1/8"	
9		1	Polyamid hose 4X1 PA12	
10		2	Sleeve	
11		1	Serto SO 21-4-1/8"	
12		4	Lock washer DIN127 - B 8 galv	
13		1	Key A8X7X25	
14		1	Riku 6205 2RS	
15		1	Riku 6003 2RS	
16		1	Retaining ring DIN 472 52 X 2	
17		1	Hose nozzle 1"x27	
18		1	Oiler	
19		1	Cover	
20		1	Bracket	
21		2	Hex. Screw DIN933 M6x10	
22		1	Bracket	
23		2	Flat Washer A 6,4	
24		2	Lock nut M6	
25		1	Clamping ring	
27	23093442158	1	Repair kit: oil tank	
28	23093442160	1	Repair kit: Vanes	
29	23093442162	1	Repair kit: bearing - protection	