

Rain Bird sprinkler reservedele

Klik på tekst for at gå direkte til den ønskede side:

Emne **Side**

Rain Bird:

47 DR / DS sektorsprinkler	2
51 DR / DS cirkelsprinkler	7
Eagle 700 cirkelsprinkler	12
Eagle 750 sektorsprinkler	14
91 DR / DS / DH cirkelsprinkler	16
95 Dr / DS / DH sektorsprinkler.....	19
Eagle 900 cirkelsprinkler	22
Eagle 950 sektorsprinkler	24

Grønne katalog side 6-1

Alle priser er excl. moms. Der tages forbehold for trykfejl, prisstigninger og konstruktionsændringer. Maj 2007.



Agrometer a/s

Fælledvej 10 • 7200 Grindsted • Tlf. 76 72 13 00 • Fax 76 72 13 98
www.agrometer.dk • agrometer@agrometer.dk

Res.dele Rain Bird 47DR / 47DS

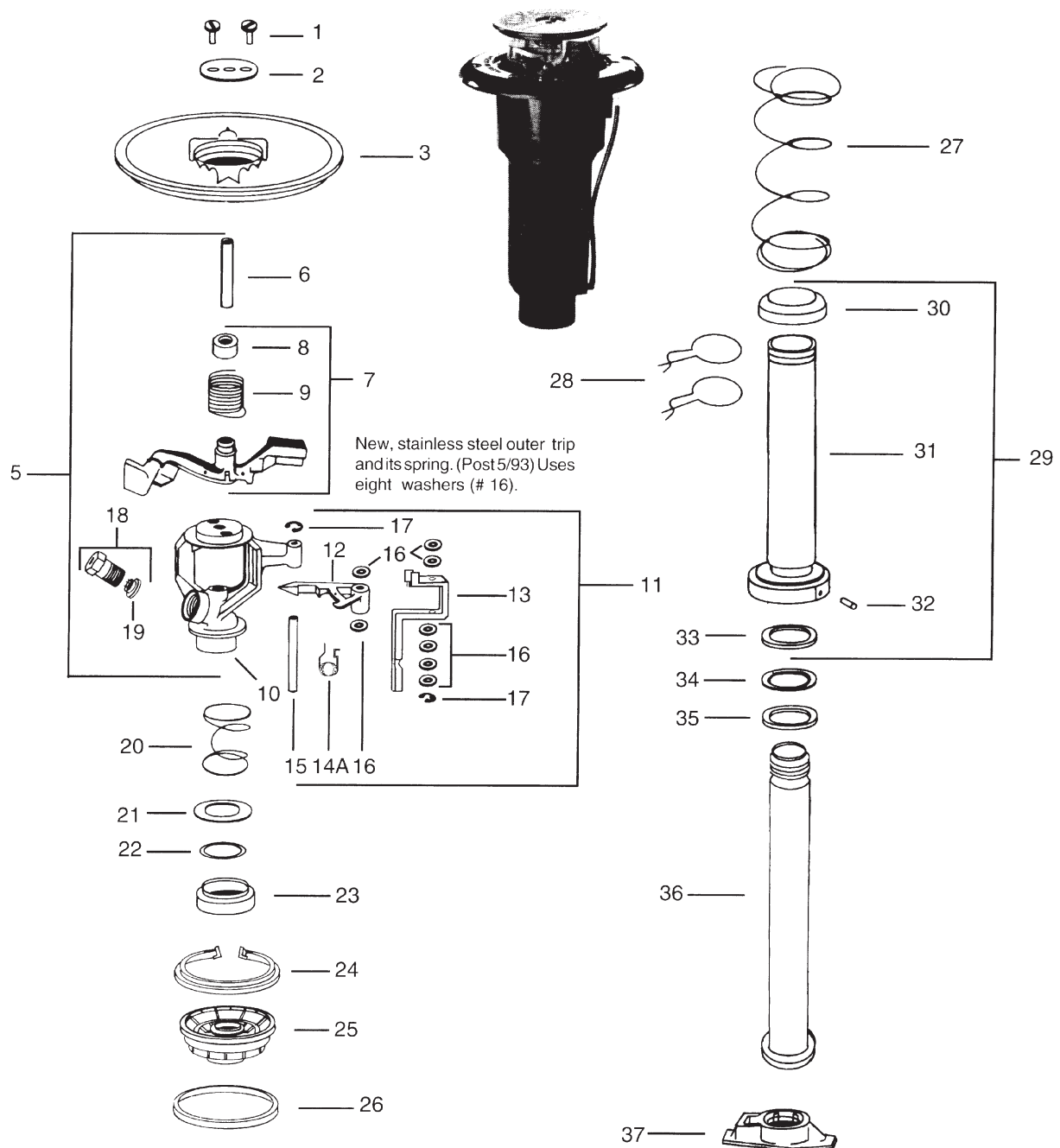
RAIN BIRD®

PART CIRCLE ROTOR 47DR / 47DS

Ref. No. : 447

Date : 03/2000

Page : 1 of 5



Agrometer a/s

Grønne katalog side 6-2

Alle priser er excl. moms. Der tages forbehold for trykfej, prisstigninger og konstruktionsændringer. Maj 2007.



Fælledvej 10 • 7200 Grindsted • Tlf. 76 72 13 00 • Fax 76 72 13 98
www.agrometer.dk • agrometer@agrometer.dk

Res.dele Rain Bird 47DR / 47DS

RAIN BIRD®

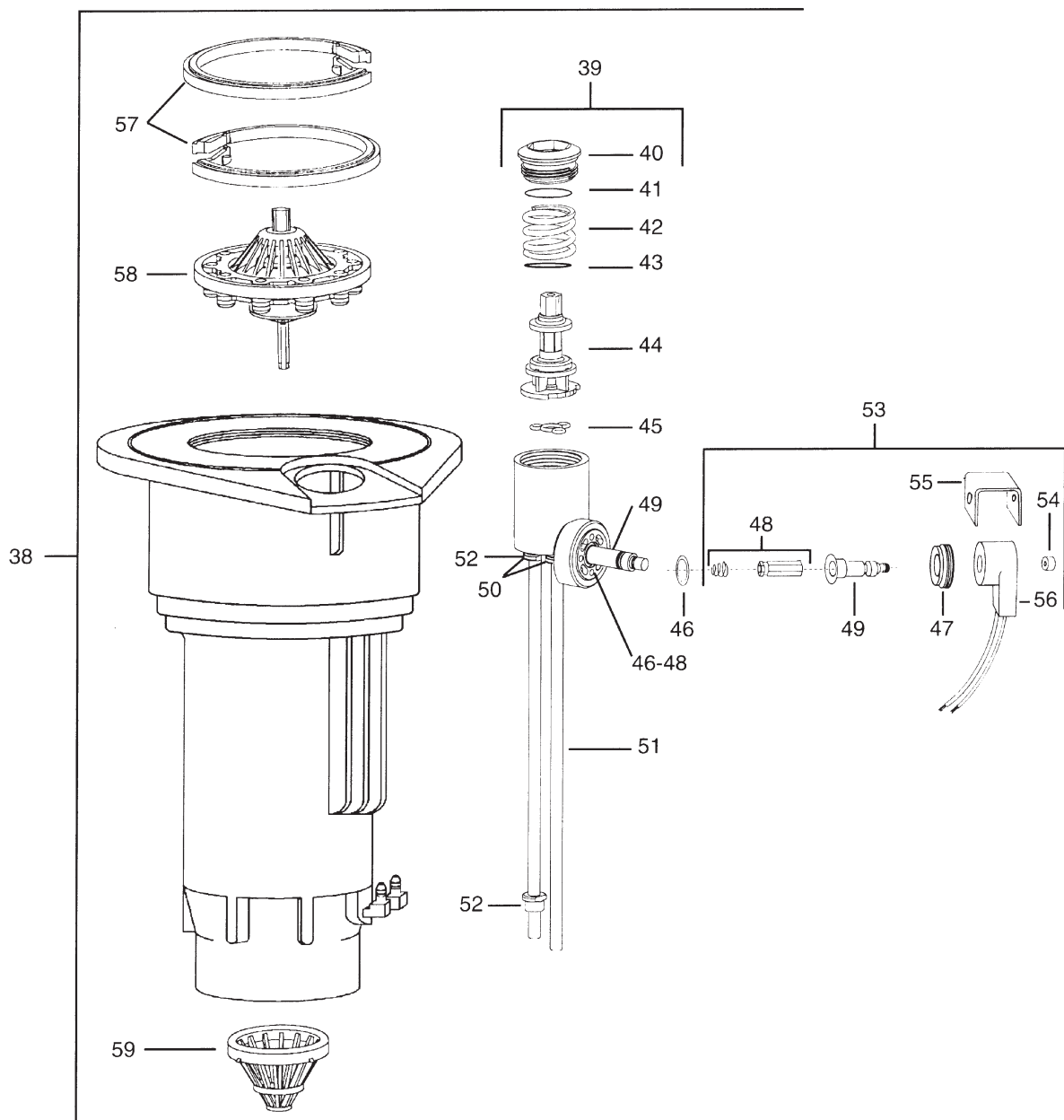
**PART CIRCLE ROTOR
47DR / 47DS**

Ref. No. : 447

Date : 03/2000

Page : 2 of 5

1 - PIECE CASE ASSEMBLY (POST 5/93) (SEE PAGE 4)



Grønne katalog side 6-3

Alle priser er excl. moms. Der tages forbehold for trykfejl, prisstigninger og konstruktionsændringer. Maj 2007.



Agrometer a/s

Fælledvej 10 • 7200 Grindsted • Tlf. 76 72 13 00 • Fax 76 72 13 98
www.agrometer.dk • agrometer@agrometer.dk



Res.dele Rain Bird 47DR / 47DS

RAIN BIRD®

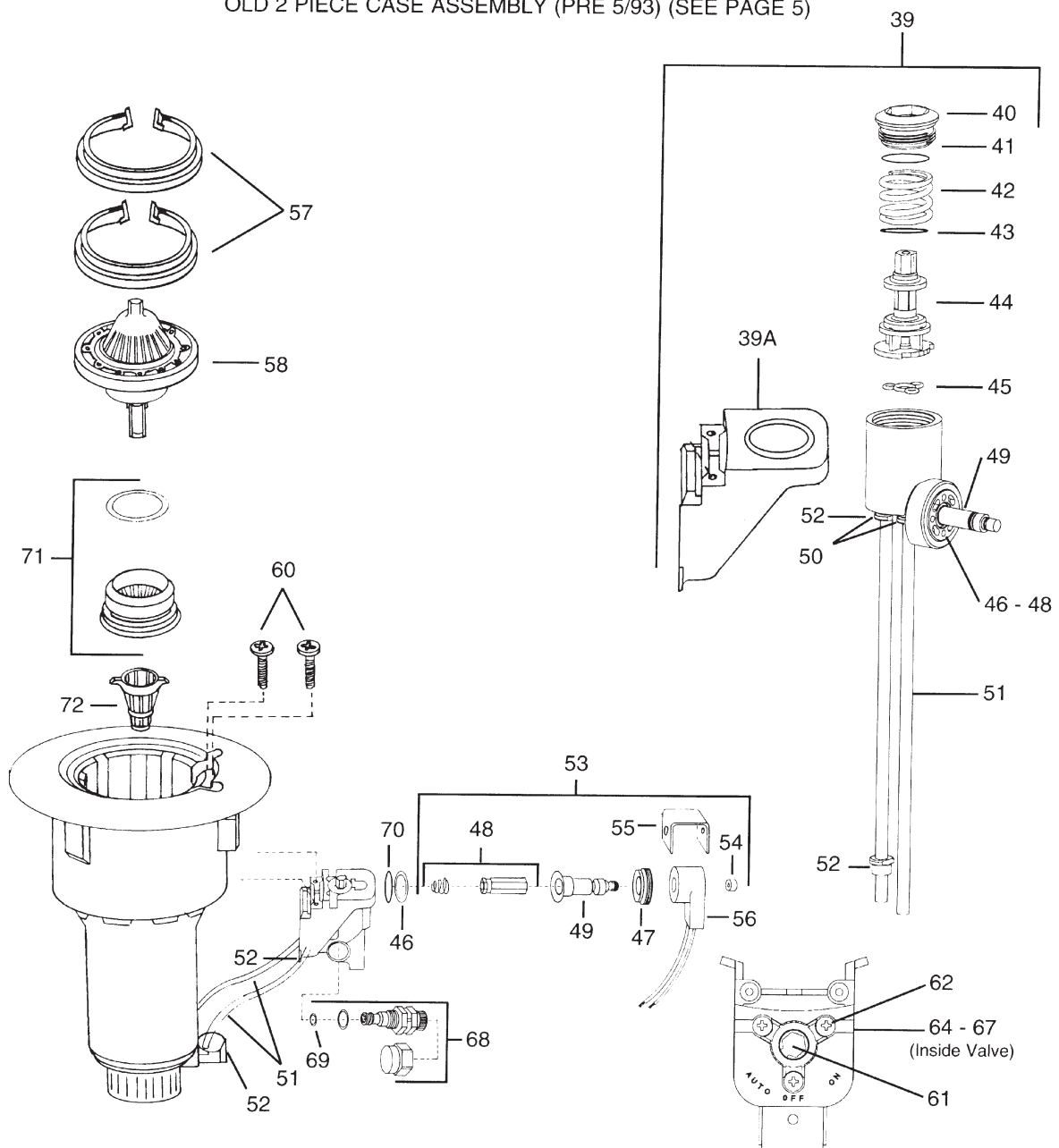
**PART CIRCLE ROTOR
47DR / 47DS**

Ref. No. : 447

Date : 03/2000

Page : 3 of 5

OLD 2 PIECE CASE ASSEMBLY (PRE 5/93) (SEE PAGE 5)



Grønne katalog side 6-4

Alle priser er excl. moms. Der tages forbehold for trykfejl, prisstigninger og konstruktionsændringer. Maj 2007.



Agrometer a/s

Fælledvej 10 • 7200 Grindsted • Tlf. 76 72 13 00 • Fax 76 72 13 98
www.agrometer.dk • agrometer@agrometer.dk

Res.dele Rain Bird 47DR / 47DS



PART CIRCLE ROTOR 47DR / 47DS

Ref. No. : 447

Date : 03/2000

Page : 4 of 5

Ref.	Part Description	47DR	47DS	Ref.	Part Description	47DR	47DS
COVER ASSEMBLY (Page 1)				1 - PIECE CASE ASSEMBLIES (Page 3)			
1	Cover Screws, Standard (2)	200974	200974	38	Case Assembly (BSP)	207955-04	208456-02
2	Retainer, Steel	200740	200740	39	PRS/Selector Assembly	210808-03	—
3	Plastic Cover	208227	208227	40	Cover, Threaded	—	—
INTERNAL ASSEMBLY				41	O-Ring, Stem Cover (F)	(F)	—
		204113-16	204113-16	42	Spring, Compression	—	—
UPPER ASSEMBLY				43	Selector Washer	—	—
5	Arm/Body Assembly (A)	200130-16	200130-16	44	PRS Cartridge (F)	(F)	—
6	Fulcrum Pin	200076	200076	45	Seal, Selector (F)	(F)	—
7	Arm Spring Assembly	203725	203725	46	O-Ring, Solenoid Base	202882	—
8	Arm Hood	—	—	47	Base Nut	602606	—
9	Arm Spring	—	—	48	Plunger Assembly	629453	—
10	Body	200092	200092	49	Tube, Welded	630028	—
TRIP MECHANISM (A)				50	Elbow, Barbed	—	—
11	Trip Repair Kit	203719	203719	51	Tubing (2)	205920-02	205920-02
12	Inner Trip	200060	200060	52	Ferrule, Barbed (2)	206409	—
13	Outer Trip	—	—	53	Solenoid Assembly	206920-01	—
14A	Trip Spring	209363	209363	47	Base Nut	602606	—
15	Trip Shaft	201932	201932	48	Plunger Assembly	629453	—
16	Spacer Washers (8)	201933	201933	49	Tube, Welded	630028	—
17	E-Ring (2)	200975	200975	54	Retainer, Rubber	627167	—
NOZZLES (C)				55	U-Frame	210914	—
18	Range Nozzle Assembly	200079	200079	56	Coil	602118	—
19	Vane	202143	202143	57	Snap Ring, Lower (2)	208396	208396
BEARING ASSEMBLY				58	HFDV Valve Assembly	207653	208440
20	Bearing Spring	(D)	(D)		HFDV Repair Kit	207594	208439
21	Steel Top Seal Washer	(D)	(D)	59	Screen, Inlet	209923	209923
22	Teflon Top Seal Washer	(E)	(E)		Top Serviceable Rock Screen	211714-02	211714-02
23	Buna-N Guide Seal (Black)	(D)	(D)	Notes:			
24	Upper Snap Ring	208395	208395	(A)	Arm/Body Assy includes range nozzle and trip mechanism.		
25	Bearing Guide, Plastic	207569	207569	(C)	Specify nozzle sizes when ordering.		
	Bearing Guide Ring	207415	207415	(D)	Included in Upper Bearing Spring Washer Kit # 203731.		
26	Lower Seal	211239	211239	(E)	Included in Bearing Washer Kit # 203732.		
27	Retract Spring	201113	201113	(F)	Included in PRS/Selector Repair Kit # 210166.		
28	Friction Collars (2)	200164	200164				
29	Bearing Sleeve Assembly	202068	202068				
30	Buna-N Lower Seal (Black)	(E)	(E)				
31	Bearing Sleeve	—	—				
32	Bearing Sleeve Pin	200064	200064				
33	Wear Ring (Gold)	(E)	(E)				
34	Teflon Speed Washer (White)	(E)	(E)				
35	Buna-N Washer Seal (Gray)	(E)	(E)				
36	Bearing Nipple	200037	200037				
37	Part Circle Adapter	203936	203936				



Res.dele Rain Bird 47DR / 47DS



PART CIRCLE ROTOR 47DR / 47DS

Ref. No. : 447

Date : 03/2000

Page : 5 of 5

OLD 2 PIECE CASE (PRE 5/93)
NEW PRS/SELECTOR VALVE WITH ADAPTER (SEE PAGE 5)
OLD PRS/SELECTOR VALVE PARTS (SEE PAGE 5)

Ref.	Part Description	47DR	47DS	Ref.	Part Description	47DR	47DS
NEW PRS/SELECTOR VALVE ASSEMBLY WITH ADAPTER				2-PIECE CASE PARTS			
39	PRS/Selector Assembly	210808-03	—	57	Lower Snap Rings (2)	208396	208396
39A	Selector Adapter	—	—	58	HFDV Valve	207653	208440
40	Cover, Threaded	—	—		HFDV Repair Kit	207594	208439
41	O-Ring, Stem Cover (G)	(G)	—	71	Inlet Adapter	207654	207654
42	Spring, Compression	—	—	72	Inlet Screen	207173	207173
43	Selector Washer	—	—	52	Ferrule (4-DR,2-DS)	206409	206409
44	PRS Cartridge (G)	(G)	—				
45	Seal, Selector (G)	(G)	—				
46	O-Ring, Solenoid Base	202882	—				
47	Base Nut	602606	—				
48	Plunger Assembly	629453	—				
49	Tube, Welded	630028	—				
50	Elbow, Barbed	—	—				
51	Tubing (2)	205920-02	205920-02				
52	Ferrule, Barbed (2)	206409	—				
OLD SELECTOR VALVE PARTS (Pre 5/93)							
60	Selector Valve Screws (2)	—	—				
	Selector Valve Stem Repair Kit	210069	—				
61	Stem Assy	—	—				
62	Screws (3)	—	—				
63	O-Ring (4)	(H)	—				
64	Compression Spring	—	—				
65	Spring Washer (2 or 3)	—	—				
66	Seal Washer	204942	—				
67	Seal O-Ring	209656	—				
68	Pressure Regulator	208206	—				
69	O-Ring, Selector Valve	—	—				
46	O-Ring	202882	—				
47	Base Nut	602606	—				
48	Plunger Assembly	629453	—				
49	Tube, Welded	630028	—				
70	Screen	203327	—				
51	Tubing (2)	205920-02	205920-02				
SOLENOID ASSEMBLY - ALL CASE TYPES							
53	Solenoid Assembly	206920-01	—				
47	Base Nut	602606	—				
48	Plunger Assembly	629453	—				
49	Tube, Welded	630028	—				
54	Retainer, Rubber	627167	—				
55	U-Frame	210914	—				
56	Coil	602118	—				

(G) Included in new style PRS/Selector Repair Kit # 210166.
(H) Selector Valves made before 6/88 used three (3) O-Rings # 211238.



Res.dele Rain Bird 51DR / 51DS

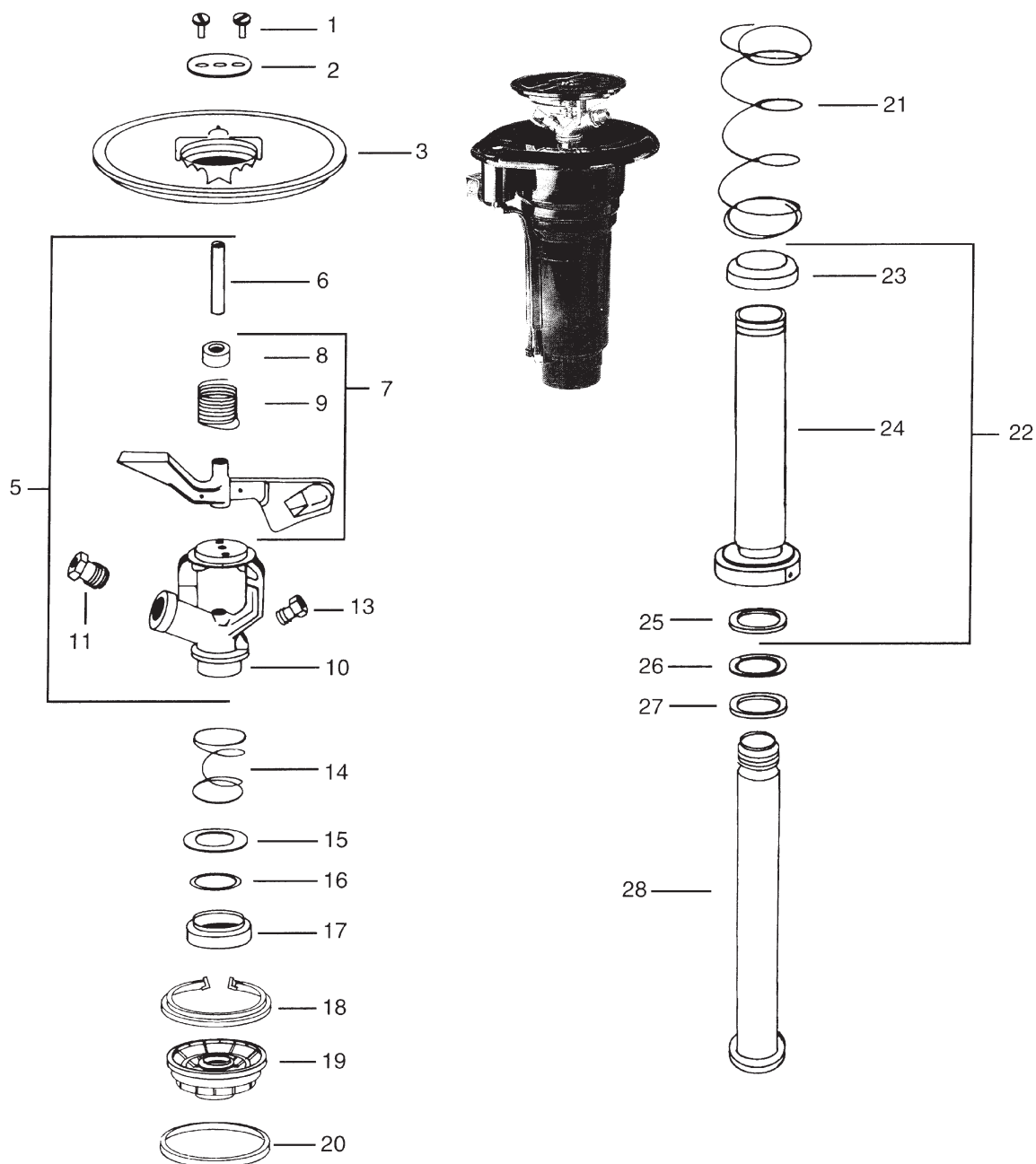


FULL CIRCLE ROTOR 51DR / 51DS

Ref. No. : 451

Date : 03/2000

Page : 1 of 5



Grønne katalog side 6-7

Alle priser er excl. moms. Der tages forbehold for trykfej, prisstigninger og konstruktionsændringer. Maj 2007.



Agrometer a/s

Fælledvej 10 • 7200 Grindsted • Tlf. 76 72 13 00 • Fax 76 72 13 98
www.agrometer.dk • agrometer@agrometer.dk



Res.dele Rain Bird 51DR / 51DS

RAIN BIRD®

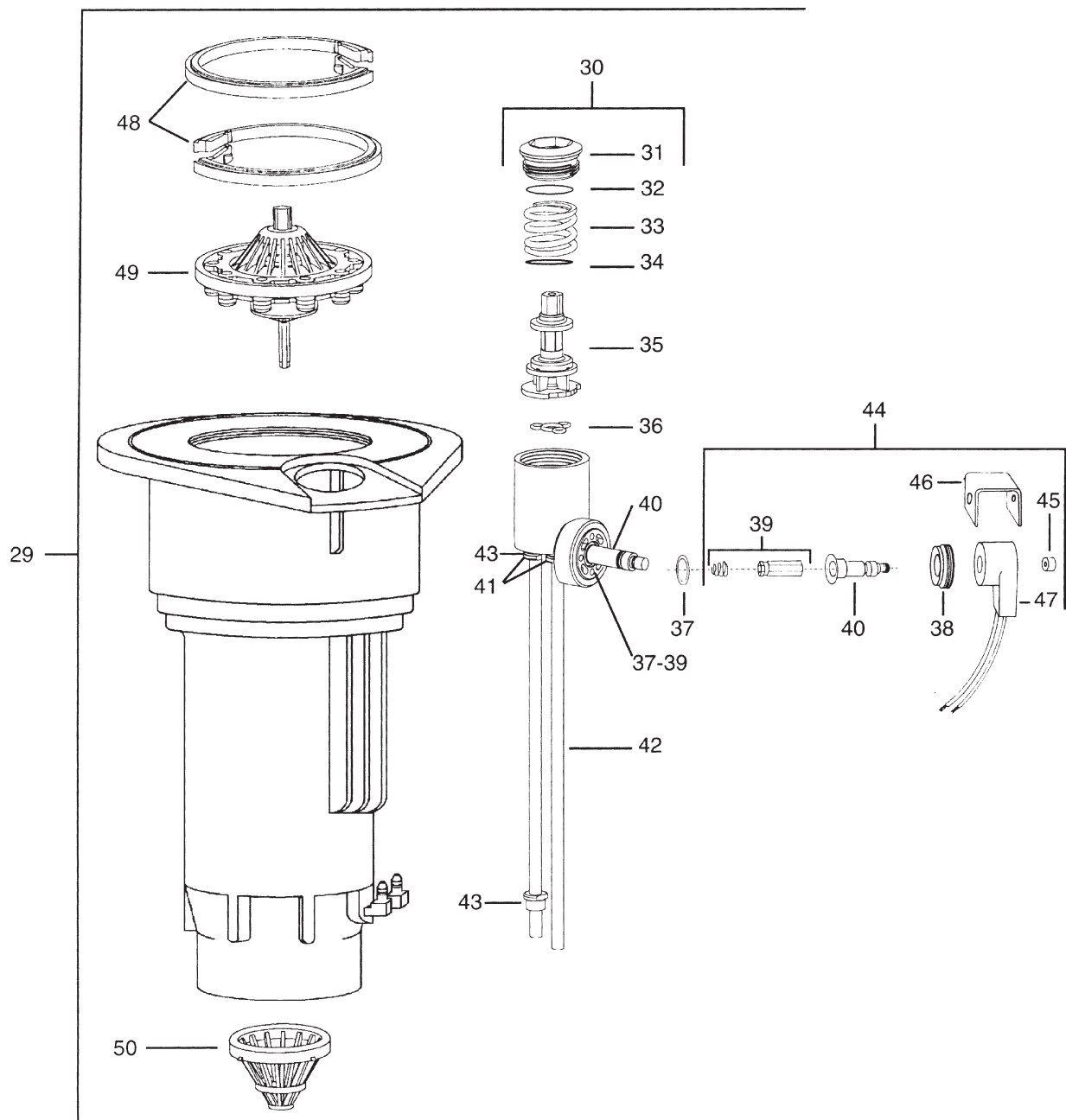
**FULL CIRCLE ROTOR
51DR / 51DS**

Ref. No. : 451

Date : 03/2000

Page : 2 of 5

1 - PIECE CASE ASSEMBLY (POST 5/93) (SEE PAGE 4)



Grønne katalog side 6-8

Alle priser er excl. moms. Der tages forbehold for trykfejl, prisstigninger og konstruktionsændringer. Maj 2007.



Agrometer a/s

Fælledvej 10 • 7200 Grindsted • Tlf. 76 72 13 00 • Fax 76 72 13 98
www.agrometer.dk • agrometer@agrometer.dk

Res.dele Rain Bird 51DR / 51DS

RAIN BIRD®

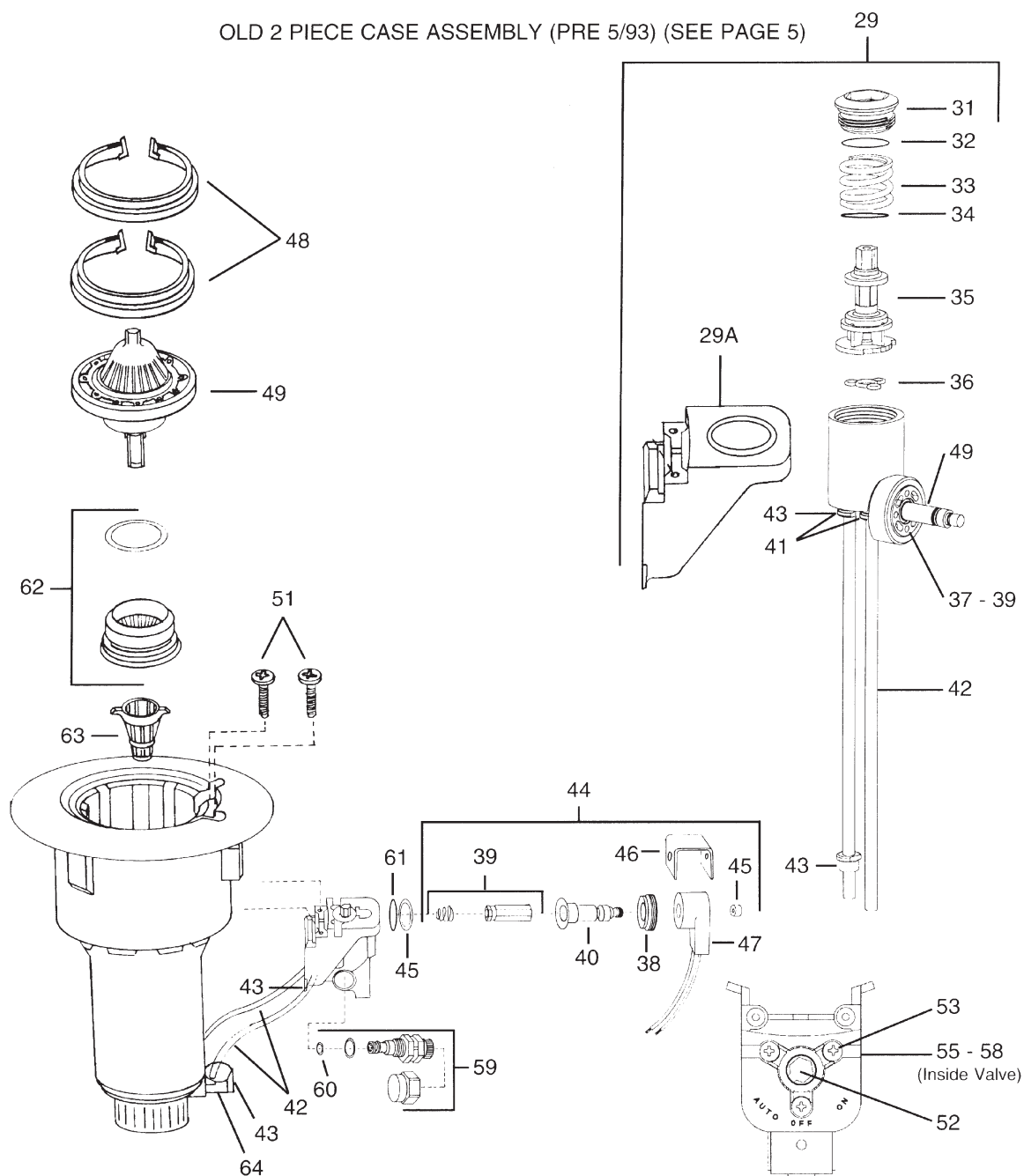
**FULL CIRCLE ROTOR
51DR / 51DS**

Ref. No. : 451

Date : 03/2000

Page : 3 of 5

OLD 2 PIECE CASE ASSEMBLY (PRE 5/93) (SEE PAGE 5)



Grønne katalog side 6-9

Alle priser er excl. moms. Der tages forbehold for trykfejl, prisstigninger og konstruktionsændringer. Maj 2007.



Agrometer a/s

Fælledvej 10 • 7200 Grindsted • Tlf. 76 72 13 00 • Fax 76 72 13 98
www.agrometer.dk • agrometer@agrometer.dk



Res.dele Rain Bird 51DR / 51DS



FULL CIRCLE ROTOR 51DR / 51DS

Ref. No. : 451

Date : 03/2000

Page : 4 of 5

Ref.	Part Description	51DR	51DS	Ref.	Part Description	51DR	51DS
COVER ASSEMBLY (Page 1)				1 - PIECE CASE ASSEMBLIES (Post 5/93) (Page 2)			
1	Cover Screws, Standard (2)	200974	200974	29	Case Assembly (BSP)	207955-04	208456-02
2	Retainer, Steel	200740	200740	30	PRS/Selector Assembly	210808-03	—
3	Plastic Cover	208227	208227	31	Cover, Threaded	—	—
INTERNAL ASSEMBLY 204130-18-11.5				32	O-Ring, Stem Cover (D)	(D)	—
UPPER ASSEMBLY				33	Spring, Compression	—	—
5	Arm/Body Assembly	200132-18-11.5	200132-18-11.5	34	Selector Washer	—	—
6	Fulcrum Pin	200076	200076	35	PRS Cartridge (D)	(D)	—
7	Arm Spring Assembly	203728	203728	36	Seal, Selector (D)	(D)	—
8	Arm Hood	—	—	37	O-Ring, Solenoid Base	202882	—
9	Arm Spring	—	—	38	Base Nut	602606	—
10	Body	200101	200101	39	Plunger Assembly	629453	—
NOZZLES (A)				40	Tube, Welded	630028	—
*11	Plastic Range Nozzle	211203	211203	41	Elbow, Barbed (2)	—	—
13	Drive Nozzle	201108	201108	42	Tubing (2)	205920-02	205920-02
BEARING ASSEMBLY				43	Ferrule, Barbed (2)	206409	—
14	Bearing Spring	(B)	(B)	44	Solenoid Assembly	206920-01	—
15	Steel Top Seal Washer	(B)	(B)	38	Base Nut	602606	—
16	Teflon Top Seal Washer	(C)	(C)	39	Plunger Assembly	629453	—
17	Buna-N Guide Seal (Black)	(B)	(B)	40	Tube, Welded	630028	—
18	Upper Snap Ring	208395	208395	45	Retainer, Rubber	627167	—
19	Bearing Guide, Plastic	207569	207569	46	U-Frame	210914	—
	Bearing Guide Ring	207415	207415	47	Coil	602118	—
20	Lower Seal	211239	211239	48	Snap Ring, Lower (2)	208396	208396
21	Retract Spring	201113	201113	49	HFDV Valve Assembly	207653	208440
22	Bearing Sleeve Assembly	202068	202068		HFDV Repair Kit	207594	208439
23	Buna-N Lower Seal (Black)	(C)	(C)	50	Screen, Inlet	209923	209923
24	Bearing Sleeve	—	—		Top Serviceable Rock Screen	211714-02	211714-02
25	Wear Ring (Gold)	(C)	(C)	(A) Specify nozzle sizes when ordering.			
26	Teflon Speed Washer (White)	(C)	(C)	(B) Included in Upper Bearing Spring Washer Kit # 203731.			
27	Buna-N Washer Seal (Gray)	(C)	(C)	(C) Included in Bearing Washer Kit # 203732.			
28	Bearing Nipple	200037	200037	(D) Included in PRS/Selector Repair Kit # 210166.			

* Consult current whole goods Price List.

Grønne katalog side 6-10

Alle priser er excl. moms. Der tages forbehold for trykfejl, prissigtninger og konstruktionsændringer. Maj 2007.



Agrometer a/s

Fælledvej 10 • 7200 Grindsted • Tlf. 76 72 13 00 • Fax 76 72 13 98
www.agrometer.dk • agrometer@agrometer.dk



Res.dele Rain Bird 51DR / 51DS



FULL CIRCLE ROTOR 51DR / 51DS

Ref. No. : 451

Date : 03/2000

Page : 5 of 5

OLD 2 PIECE CASE (PRE 5/93)
NEW PRS/SELECTOR VALVE WITH ADAPTER (SEE PAGE 3)
OLD PRS/SELECTOR VALVE PARTS (SEE PAGE 3)

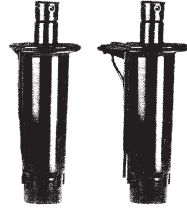
Ref.	Part Description	51DR	51DS	Ref.	Part Description	51DR	51DS
NEW PRS/SELECTOR VALVE ASSEMBLY WITH ADAPTER				2-PIECE CASE PARTS			
29	PRS/Selector Assembly	210808-03	—	48	Lower Snap Rings (2)	208396	208396
29A	Selector Adapter	—	—	49	HFDV Valve	207653	208440
31	Cover, Threaded	—	—		HFDV Repair Kit	207594	208439
32	O-Ring, Stem Cover (E)	(E)	—	62	Inlet Adapter	207654	207654
33	Spring, Compression	—	—	63	Inlet Screen	207173	207173
34	Selector Washer	—	—	43	Ferrule (4-DR,2-DS,1-DH)	206409	206409
35	PRS Cartridge (E)	(E)	—				
36	Seal, Selector (E)	(E)	—				
37	O-Ring, Solenoid Base	202882	—	(E)	Included in new style PRS/Selector Repair Kit # 210166.		
38	Base Nut	602606	—	(F)	Selector Valves made before 6/88 used three (3) O-Rings # 211238.		
39	Plunger Assembly	629453	—				
40	Tube, Welded	630028	—				
41	Elbow, Barbed (2)	—	—				
42	Tubing (2)	205920-02	205920-02				
43	Ferrule, Barbed (2)	206409	—				
OLD SELECTOR VALVE PARTS (Pre 5/93)							
51	Selector Valve Screws 6-20 (2)	—	—				
	Selector Valve Stem Repair Kit	210069	—				
52	Stem Assy	—	—				
53	Screws (3)	—	—				
54	O-Ring (4) (F)	(F)	—				
55	Compression Spring	—	—				
56	Spring Washer (2 or 3)	—	—				
57	Seal Washer	204942	—				
58	Seal O-Ring	209656	—				
59	Pressure Regulator	208206	—				
60	O-Ring, Selector Valve	—	—				
37	O-Ring	202882	—				
38	Base Nut	602606	—				
39	Plunger Assembly	629453	—				
40	Tube, Welded	630028	—				
61	Screen	203327	—				
42	Tube (2)	205920-02	205920-02				
SOLENOID ASSEMBLY - ALL CASE TYPES							
44	Solenoid Assembly	206920-01	—				
38	Base Nut	602606	—				
39	Plunger Assembly	629453	—				
40	Tube, Welded	630028	—				
45	Retainer, Rubber	627167	—				
46	U-Frame	210914	—				
47	Coil	602118	—				



Res.dele Rain Bird Eagle 700

RAIN BIRD®

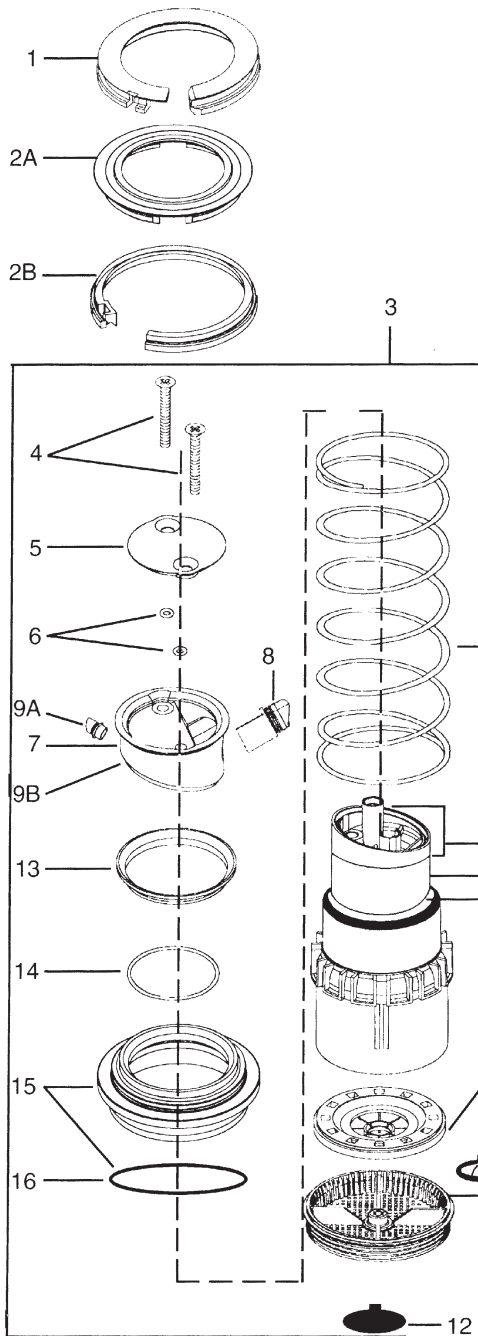
**FULL CIRCLE ROTOR
EAGLE - 700 SERIES**



Ref. No. : 470

Date : 03/2000

Page : 1 of 2



Ref.	Part Description	Qty.	700-E	700-S	700-H	700B
SNAP RINGS						
1	Snap Cover (exluding BRC)	1	211921-01	211921-01	211921-01	211921-01
2A	Cover, Rubber (BRC)	1	—	—	—	211568
2B	Snap Ring, Upper (BRC)	1	—	—	—	211298
INTERNAL ASSEMBLY						
3	Internal Assembly (B)	1	211435-40	211914-40	211435-40	211454-40
COVER ASSEMBLY						
4	Screw, Self-Tapping 1/4 - 20	2	210974	210974	210974	210974
5	Cover, Housing	1	210252	210252	210252	210252
6	O-Ring, Screw #10	2	211236	211236	211236	211236
*NOZZLES						
7	Housing, Nozzle - Black (C)	1	211745-01	211745-01	211745-01	211745-01
8	Nozzle/Stator Kit (Dual) (A)	1	211434-xx	211434-xx	211434-xx	211434-xx
10	Stator	1	—	—	—	—
10A	Valve Popet	1	—	—	—	—
11	Screen	1	210403	210403	210403	210403
9A*	Mid-range Spreader Nozzle	1	—	—	—	See Diagram on p.2
5	Plug, Dual Housing	1	211593	211593	211593	211593
9B*	Close-in Spreader Nozzle	1	—	—	—	See Diagram on p.2
12	SAM Assy. (B only)	1	—	—	—	211292
BEARING / RISER-MOTOR ASSEMBLY						
13	Seal, Retract	1	210354	210354	210354	210354
14	O-Ring, Nozzle Housing	1	210366	210366	210366	210366
15	Guide, Bearing Kit, LO-FLOW	1	—	211263(D)	—	211263(D)
15	Guide, Bearing Assy, STD	1	211147	—	211147	—
16	O-Ring, Bearing Guide	1	211242	211242	211242	211242
17	Spring, Retract	1	—	—	—	—
18	Riser Motor Assembly	1	210534	210534	210534	210534
18A	Nozzle Base Replacement Kit w/seal	1	211841	211841	211841	211841
18B	Pop-up Seal (White)	1	210399	210399	210399	210399
CASE ASSEMBLIES						
19	Rubber Cover kit (BRC only)	1	—	—	—	211355
19	Rubber Cover kit	1	211602	211602	211602	—
20	Case Assembly (BSP)	1	211794-02(F)	211796(F)	211795(F)	211489-02
21	PRS/Selector Assy (-6/95)-2 tubes	1	211418	—	—	—
23	Cap, Selector (G)	1	(G)	—	—	—
24	O-Ring, Stem Cover (G)	1	(G)	—	—	—
25	Spring, Compression	1	—	—	—	—
26	Selector Washer	1	210040	—	—	—
27	PRS Cartridge (G)	1	(G)	—	—	—
28	Seal, Selector (G)	1	(G)	—	—	—
22	PRS/Housing Kit	1	211386	—	—	—
29	Base Nut	1	602606	—	—	—
30	O-Ring, Solenoid Base	1	—	—	—	—
31	Tube, Welded	1	630028	—	—	—
31	Plunger Assy (Not Shown)	1	629453	—	—	—
32	Tubing	2	205920-02	205920-02	—	—
34	Ferrule	2	206409	—	206409	—
35	Solenoid Assembly	1	206920-01	—	—	—
36	Retainer, Rubber	1	627167	—	—	—
37	U-Frame	1	210914	—	—	—
38	Coil	1	602118	—	—	—
39	Snap Ring, Lower	2	210470	210470	210470	—
40	700/750 Valve Assembly	1	211468	211470	211469	—
41	Elbow, Probe	1	—	—	—	—
42	O-Ring, Probe	2	211238	211238	211238	—
42	Seal, Inlet (Not Shown)	1	211177	211177	211177	—
42	Filter, Universal (Not Shown)	1	206092-02	—	206092-02	—
43	Screen, Inlet (<3/98)	1	210487	210487	210487	—
44	Top Serviceable RockScreen	1	211714-01	211714-01	211714-01	—

(A) Specify Nozzle Size when ordering. Available in # 28, 32, 36, 40, 44, 48. Cascade sizes: 14, 16, 18, 20, 22, 24, 700 Dual Spreader Nozzle Kit (less Stator), 211632-xx (28, 32, 36, 40, 44, 48). Diffuser screw Kit (for any nozzle) : 211831.
 (B) Internal Assembly # 211454-40 includes 700B SEAL-A-MATIC Assembly and Lo-Flow Bearing Guide.
 (C) To convert Dual Spreader Nozzle Housing to Cascade, insert Dual Nozzle Housing Plug #211593 in place of Mid-Range Spreader #211417 (see Diagram on p.2).
 (D) The LO-FLOW Bearing Guide Kit #211263 may also be included on the 700 Series Electric/Hydraulic units.
 (F) Case Assy. with Top Serviceable Rock Screens are 1.28 cm longer than Non-Top Serviceable Rock Screen Case Assemblies.
 (G) Included in PRS/Selector Repair Kit # 210166.
 * Included in 211434-xx



Agrometer a/s

Grønne katalog side 6-12
 Alle priser er excl. moms. Der tages forbehold for trykfej, prisstigninger og konstruktionsændringer. Maj 2007.

Fælledvej 10 • 7200 Grindsted • Tlf. 76 72 13 00 • Fax 76 72 13 98
 www.agrometer.dk • agrometer@agrometer.dk



Res.dele Rain Bird Eagle 700



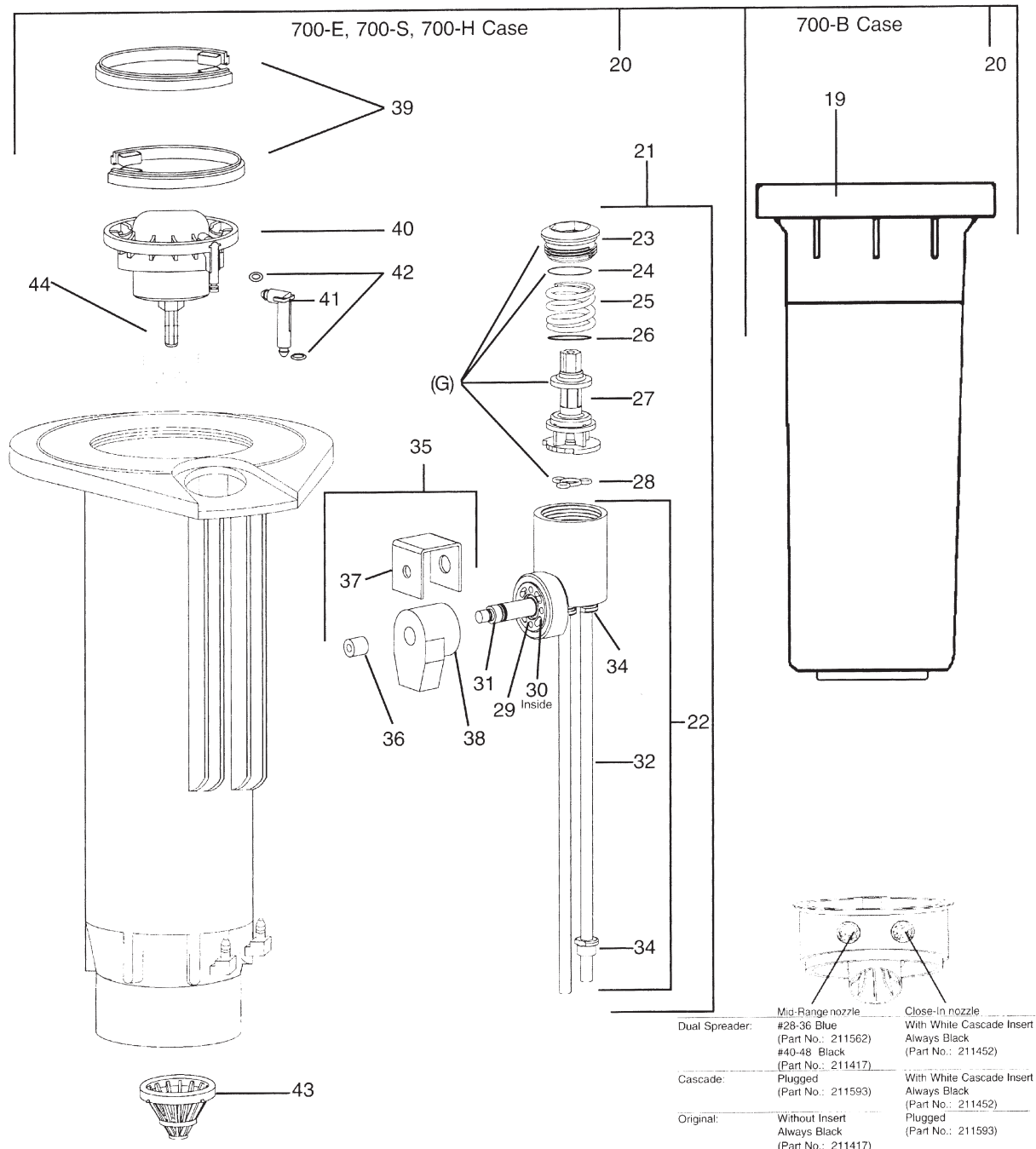
FULL CIRCLE ROTOR

EAGLE - 700 SERIES

Ref. No. : 470

Date : 03/2000

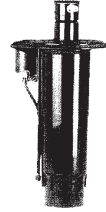
Page : 2 of 2



Res.dele Rain Bird Eagle 750

RAIN BIRD®

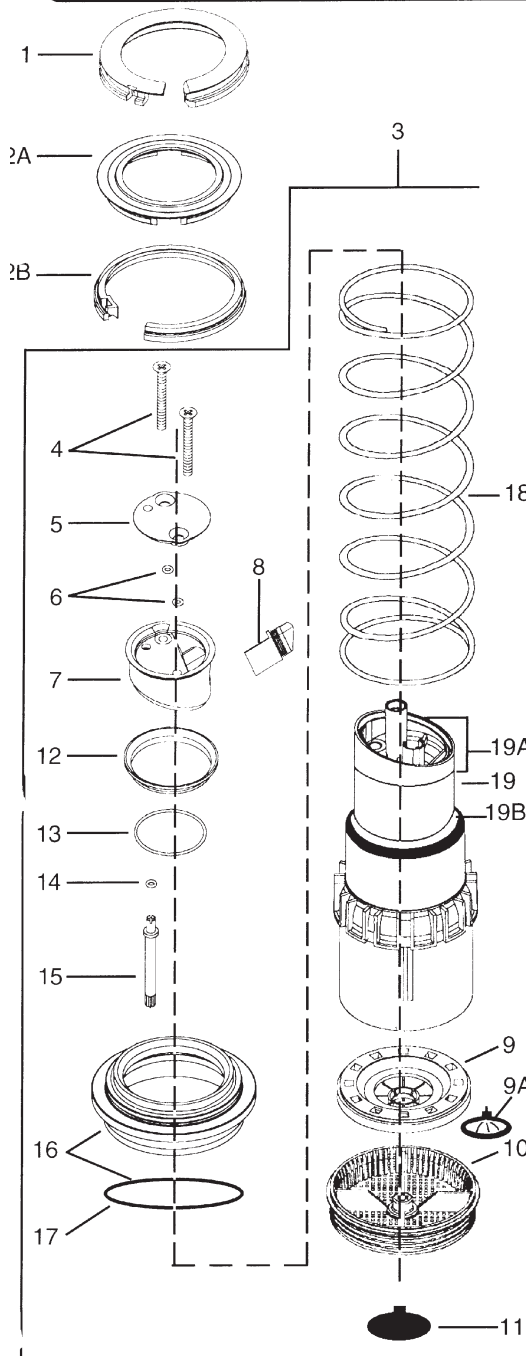
PART CIRCLE ROTOR EAGLE - 750 SERIES



Ref. No. : 475

Date : 03/2000

Page : 1 of 2



Ref.	Part Description	Qty.	750-E	750-S	750-H	750B
SNAP RINGS						
1	Snap Cover (exluding BRC)	1	211921-01	211921-01	211921-01	211921-01
2A	Cover, Rubber (BRC)	1	—	—	—	211568
2B	Snap Ring, Upper (BRC)	1	—	—	—	211298
INTERNAL ASSEMBLY						
3	Internal Assembly	1	211544-20	211915-20	211544-20	211543-20 (B)
COVER ASSEMBLY						
4	Screw, Self Tapping 1/4 - 20	2	210974	210974	210974	210974
5	Cover, Housing	1	210355	210355	210355	210355
6	O-Ring, Screw	2	211236	211236	211236	211236
NOZZLES						
7	Housing, Nozzle - Black	1	210356-01	210356-01	210356-01	210356-01
	Nozzle/Stator Kit,#24	1	211431-24	211431-24	211431-24	211431-24
	Nozzle/Stator Kit (A)	1	211545-xx	211545-xx	211545-xx	211545-xx
8	Nozzle Assembly, Range	1	—	—	—	—
9	Stator	1	—	—	—	—
9A	Poppet Valve	1	—	—	—	—
10	Screen	1	210403	210403	210403	210403
11	SAM Assy (B/BRC Only)	1	—	—	—	211292
BEARING / RISER-MOTOR ASSEMBLY						
12	Seal, Retract	1	210354	210354	210354	210354
13	O-Ring, Nozzle Housing	1	210366	210366	210366	210366
14	O-Ring, Adjustment Stem	1	211236	211236	211236	211236
15	Adjustment Stem	1	210420	210420	210420	210420
16	Guide, Bearing Kit, LO-FLOW (C)	1	—	211263	—	211263
16	Guide, Bearing Assy, STD	1	211147	—	211147	—
17	O-Ring, Bearing Guide	1	211242	211242	211242	211242
18	Spring, Retract	1	—	—	—	—
19	Riser Motor Assembly	1	210535	210535	210535	210535
19A	Nozzle Base Replacement Kit w/seal	1	211841	211841	211841	211841
19B	Pop-up Seal (White)	1	210399	210399	210399	210399
CASE ASSEMBLIES						
20	Rubber Cover Kit (BRC Only)	1	—	—	—	211355
21	Rubber Cover Kit	1	211603	211603	211603	—
21	Case Assembly (BSP)	1	211794-02(E)	211796 (E)	211795 (E)	211489-02
22	PRS/Selector Assy (>6/95)-2 Tubes	1	211418	—	—	—
24	Cap, Selector (F)	1	(F)	—	—	—
25	O-Ring, Stem Cover (F)	1	(F)	—	—	—
26	Spring, Compression	1	—	—	—	—
27	Selector Washer	1	210040	—	—	—
28	PRS Cartridge (F)	1	(F)	—	—	—
29	Seal, Selector (F)	1	(F)	—	—	—
23	PRS/Housing Kit (>6/95)	1	211386	—	—	—
30	Base Nut	1	602606	—	—	—
31	O-Ring, Solenoid Base	1	—	—	—	—
32	Tube, Welded	1	630028	—	—	—
	Plunger Assy (Not Shown)	1	629453	—	—	—
33	Tubing	2	205920-02	205920-02	—	—
35	Ferrule	2	206409	—	206409	—
33	Solenoid Assembly	1	206920-01	—	—	—
36	Retainer, Rubber	1	627167	—	—	—
37	U-Frame, Rubber	1	210914	—	—	—
38	Coil	1	602118	—	—	—
39	Snap Ring, Lower	2	210470	210470	210470	—
40	700/750 Valve Assembly	1	211468	211470	211469	—
42	Elbow, Probe	1	—	—	—	—
43	O-Ring, Probe	2	211238	211238	211238	—
	Seal, Inlet (Not Shown)	1	211177	211177	211177	—
	Filter, Universal (Not Shown)	1	206092-02	—	206092-02	—
44	Screen, Inlet (<3/98)	1	210487	210487	210487	—
45	Top Serviceable RockScreen	1	211714-01	211714-01	211714-01	—

(A) Specify Nozzle Size when ordering. (14-22). Eagle's Tail Rear Nozzle Kit: 211697.
 (B) Internal Assembly (211543-20) includes 750B SEAL-A-MATIC Assembly (# 11).
 (C) The LO-FLOW Bearing Guide Kit #211263 may also be included on the 750 Series Electric/Hydraulic units.
 (E) Case Assemblies with Top Serviceable Rock Screens are 1.28 cm longer than Non-Top Serviceable Rock Screen Case Assemblies.
 (F) Included in PRS/Selector Repair Kit # 210166.



Agrometer a/s

Grønne katalog side 6-14

Alle priser er excl. moms. Der tages forbehold for trykfej, prisstigninger og konstruktionsændringer. Maj 2007.

Fælledvej 10 • 7200 Grindsted • Tlf. 76 72 13 00 • Fax 76 72 13 98
 www.agrometer.dk • agrometer@agrometer.dk



Res.dele Rain Bird Eagle 750

RAIN BIRD®

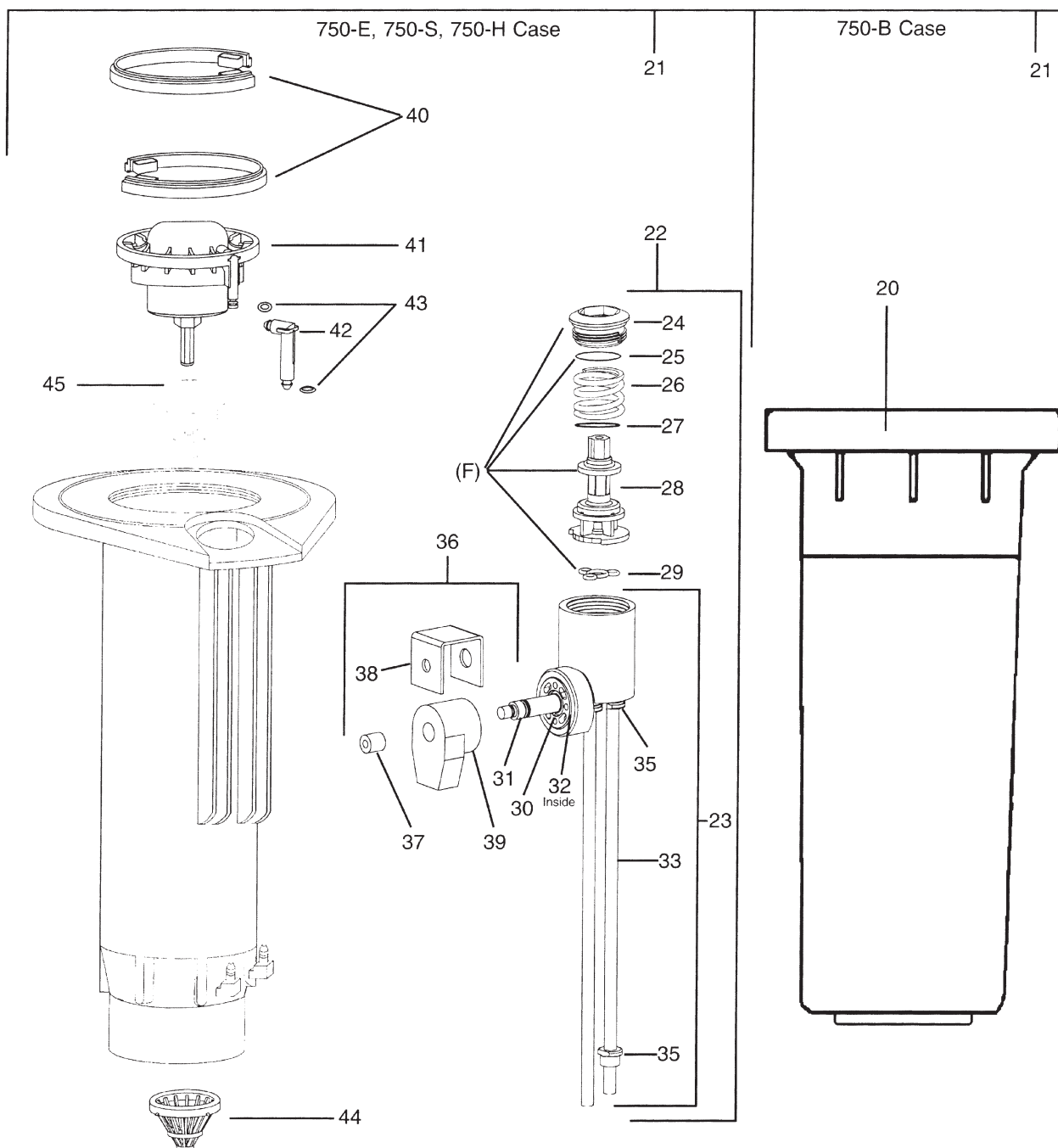
PART CIRCLE ROTOR

EAGLE - 750 SERIES

Ref. No. : 475

Date : 03/2000

Page : 2 of 2



Grønne katalog side 6-15

Alle priser er excl. moms. Der tages forbehold for trykfejle, prissigtninger og konstruktionsændringer. Maj 2007.



Agrometer a/s

Fælledvej 10 • 7200 Grindsted • Tlf. 76 72 13 00 • Fax 76 72 13 98
www.agrometer.dk • agrometer@agrometer.dk

Res.dele Rain Bird 91DR / 91DS / 91DH

RAIN BIRD®

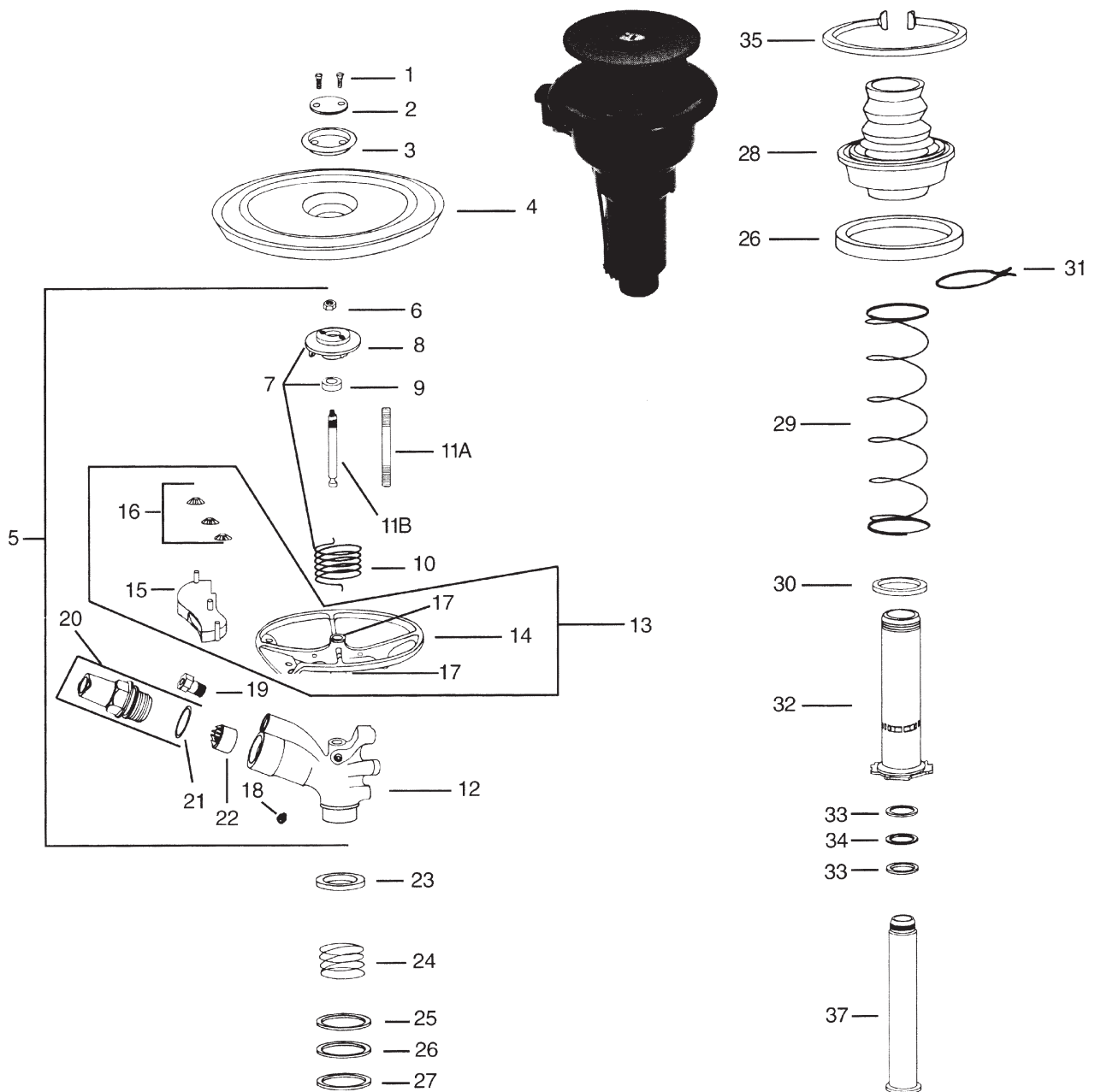
FULL CIRCLE ROTOR

91DR / 91DS / 91DH

Ref. No. : 491

Date : 03/2000

Page : 1 of 3



Agrometer a/s

Grønne katalog side 6-16

Alle priser er excl. moms. Der tages forbehold for trykfej, prisstigninger og konstruktionsændringer. Maj 2007.



Fælledvej 10 • 7200 Grindsted • Tlf. 76 72 13 00 • Fax 76 72 13 98
www.agrometer.dk • agrometer@agrometer.dk

Res.dele Rain Bird 91DR / 91DS / 91DH



FULL CIRCLE ROTOR

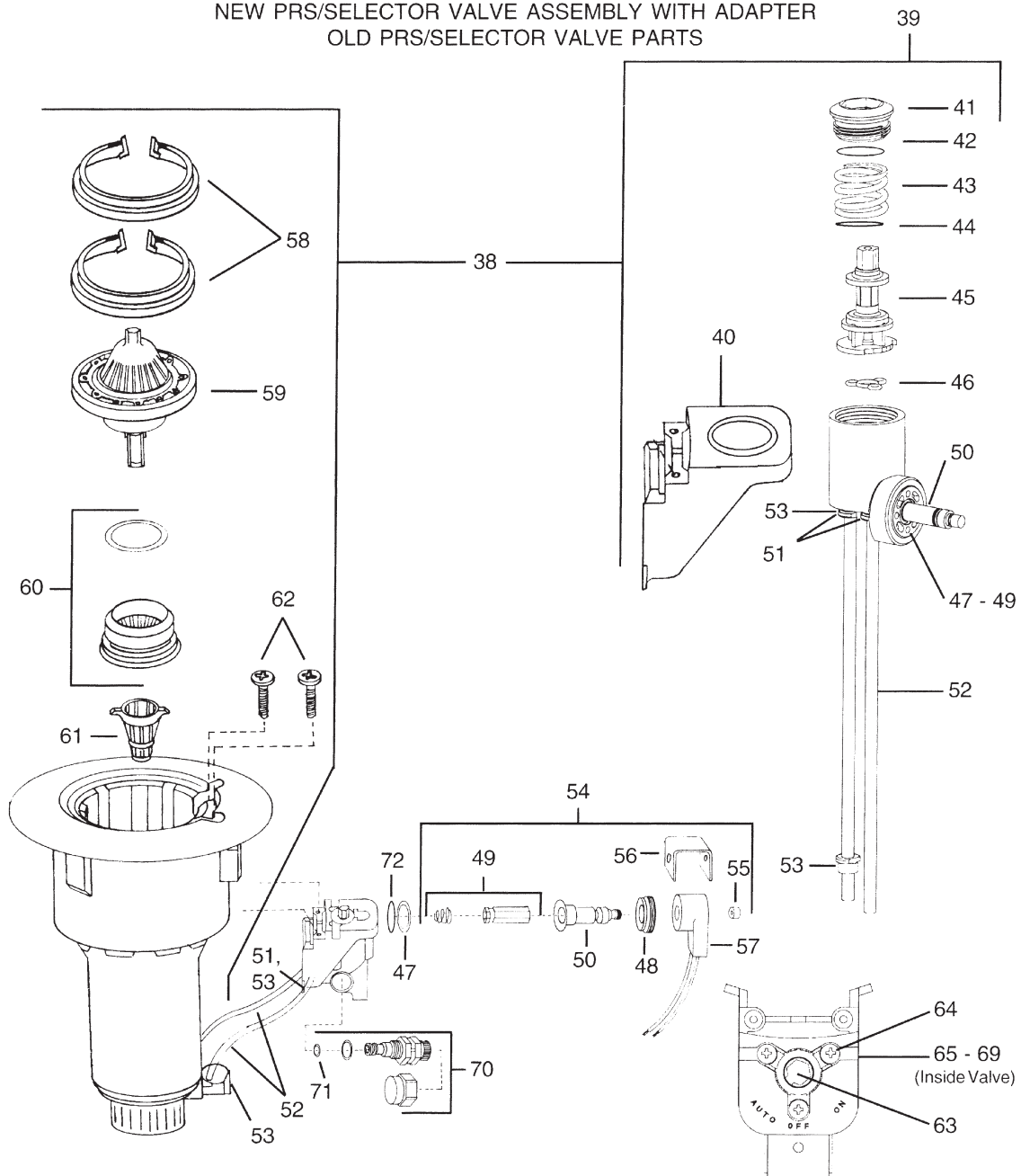
91DR / 91DS / 91DH

Ref. No. : 491

Date : 03/2000

Page : 2 of 3

NEW PRS/SELECTOR VALVE ASSEMBLY WITH ADAPTER
OLD PRS/SELECTOR VALVE PARTS



Grønne katalog side 6-17

Alle priser er excl. moms. Der tages forbehold for trykfejl, prisstigninger og konstruktionsændringer. Maj 2007.



Agrometer a/s

Fælledvej 10 • 7200 Grindsted • Tlf. 76 72 13 00 • Fax 76 72 13 98
www.agrometer.dk • agrometer@agrometer.dk

Res.dele Rain Bird 91DR / 91DS / 91DH



FULL CIRCLE ROTOR

91DR / 91DS / 91DH

Ref. No. : 491

Date : 03/2000

Page : 3 of 3

Ref. Part Description	91DR	91DS	91DH	Ref. Part Description	91DR	91DS	91DH
*COVER ASSEMBLIES				CASE ASSEMBLY WITH NEW PRS/SELECTOR VALVE (Post 5/93)			
1 Cover Screws, Standard	200974	200974	200974	38 Case Assembly (BSP)	207995-02	208514-02	—
2 Retainer, Steel	202685	202685	202685	39 PRS/Selector Assembly	210808-03	—	—
3 Plastic Sand Cover	204749	204749	204749	40 Selector Adapter	—	—	—
4 Plastic Cover	208625	208625	208625	41 Cover, Threaded	—	—	—
INTERNAL ASSEMBLY				42 O-Ring, Stem Cover (E)	(E)	—	—
208237-30-15	208237-30-15	208237-30-15	208237-30-15	43 Spring, Compression	—	—	—
UPPER ASSEMBLY (New Threaded Fulcrum Pin Version)				44 Selector Washer	—	—	—
5 Arm/Body Assy	203339-30-15	203339-30-15	203339-30-15	45 PRS Cartridge (E)	(E)	—	—
Body/Fulcrum Pin Assy	202686	202686	202686	46 Seal, Selector (E)	(E)	—	—
6 Fulcrum Nut (A)	(A)	(A)	(A)	47 O-Ring, Solenoid Base	202882	—	—
7 Cover Support Assy	210428	210428	210428	48 Base Nut	602606	—	—
8 Cover Support	—	—	—	49 Plunger Assembly	629453	—	—
9 Arm Hood	—	—	—	50 Tube, Welded	630028	—	—
10 Arm Spring	202699	202699	202699	51 Elbow, Barbed (2)	—	—	—
11A Fulcrum Pin - Threaded	(A)	(A)	(A)	52 Tubing (2)	205920-02	205920-02	—
12 Body	—	—	—	53 Ferrule (2-DR, 1-DH)	206409	—	206409
13 Arm Assembly	203944	203944	203944	54 Solenoid Assembly	206920-01	—	—
14 Arm	—	—	—	48 Base Nut	602606	—	—
15 PJ Tube Assembly	204723	204723	204723	49 Plunger Assembly	629453	—	—
16 Pushnut (3)	203638	203638	203638	50 Tube, Welded	630028	—	—
17 Arm Bushings (2)	202826	202826	202826	55 Retainer, Rubber	627167	—	—
OLDER NON THREADED FULCRUM PIN PARTS				56 U-Frame	210914	—	—
7 Cover Support Assy	203285	203285	203285	57 Coil	602118	—	—
8 Cover Support	—	—	—	58 Snap Ring, Lower (2)	208396	208396	208396
9 Arm Hood	—	—	—	59 HFDV Valve Assembly	207653	208440	208440
10 Arm Spring	202699	202699	202699	60 HFDV Repair Kit	207594	208439	208439
Fulcrum Pin Repair Kit	210068	210068	210068	61 Inlet Adapter	207654	207654	207654
6 Fulcrum Nut	—	—	—	61 Inlet Screen	209923	209923	209923
11B Fulcrum Pin-NON-THD'D	—	—	—	OLD SELECTOR VALVE PARTS (Pre 5/93)			
18 Set Screw	209803	209803	209803	62 Selector Valve Screws (2)	—	—	—
NOZZLES				63 Selector Valve Stem Repair Kit	210069	—	—
19 Drive Nozzle	206081	206081	206081	64 Stem Assembly	—	—	—
20 Range Nozzle Assy (B)	204182	(B) 204182	(B) 204182	64 Screws (3)	—	—	—
21 O-Ring	203316	203316	203316	65 O-Ring (4)	(F)	—	—
22 Vane	202441	202441	202441	66 Compression Spring	—	—	—
BEARING ASSY (Sandboot Style)				67 Spring Washer (2 or 3)	—	—	—
23 Bearing Hood (C)	(C)	(C)	(C)	68 Seal Washer	204942	—	—
24 Bearing Spring (C)	(C)	(C)	(C)	69 Seal O-Ring	209656	—	—
Sandboot Kit	208468	208468	208468	70 Pressure Regulator	208206	—	—
25 Spring Support Washer (C)	(C)	(C)	(C)	71 O-Ring, Selector Valve	—	—	—
26 Teflon Top Seal Washer (C)	(C)	(C)	(C)	47 O-Ring, Solenoid Base	202882	—	—
27 Upper Brg Seal Washer (C)	(C)	(C)	(C)	54 Solenoid Assembly	206920-01	—	—
28 Bellows/Bearing Guide (D)	(D)	(D)	(D)	48 Base Nut	602606	—	—
29 Retract Spring	—	—	—	49 Plunger Assembly	629453	—	—
30 Buna N Guide Seal (C)	(C)	(C)	(C)	50 Tube, Welded	630028	—	—
31 Friction Collar (1)	202429	202429	202429	55 Retainer, Rubber	627167	—	—
32 Bearing Sleeve Assembly	203126	203126	203126	56 U-Frame	210914	—	—
33 Brg Washer (Black) (2)	(C)	(C)	(C)	57 Coil	602118	—	—
34 Wear Washer (Gold)	(C)	(C)	(C)	51 Elbow, Barbed (2)	—	—	—
35 Upper Snap Ring	208395	208395	208395	52 Tubing (2)	205920-02	205920-02	—
36 Lower Seal	211239	211239	211239	53 Ferrule (2-DR, 1-DH)	206409	—	206409
37 Bearing Nipple	202928	202928	202928	72 Screen	203327	—	—

- (A) Included in Fulcrum Repair Kit # 211022.
 (B) Specify nozzle size when ordering.
 (C) Included in Bearing Washer Kit # 204179.
 (D) Not saleable, included in assembly listed above.
 (E) Included in new style PRS/Selector Repair Kit # 210166.

(F) Selector Valves made before 6/88 used three (3) O-Rings # 211238

* Rubber cover (# P00071) and artificial grass cover (# P00094) kits are available. Consult the current whole goods price list.

Grønne katalog side 6-18

Alle priser er excl. moms. Der tages forbehold for trykfejl, prisstigninger og konstruktionsændringer. Maj 2007.



Agrometer a/s

Fælledvej 10 • 7200 Grindsted • Tlf. 76 72 13 00 • Fax 76 72 13 98
 www.agrometer.dk • agrometer@agrometer.dk

Res.dele Rain Bird 95DR / 95DS / 95DH



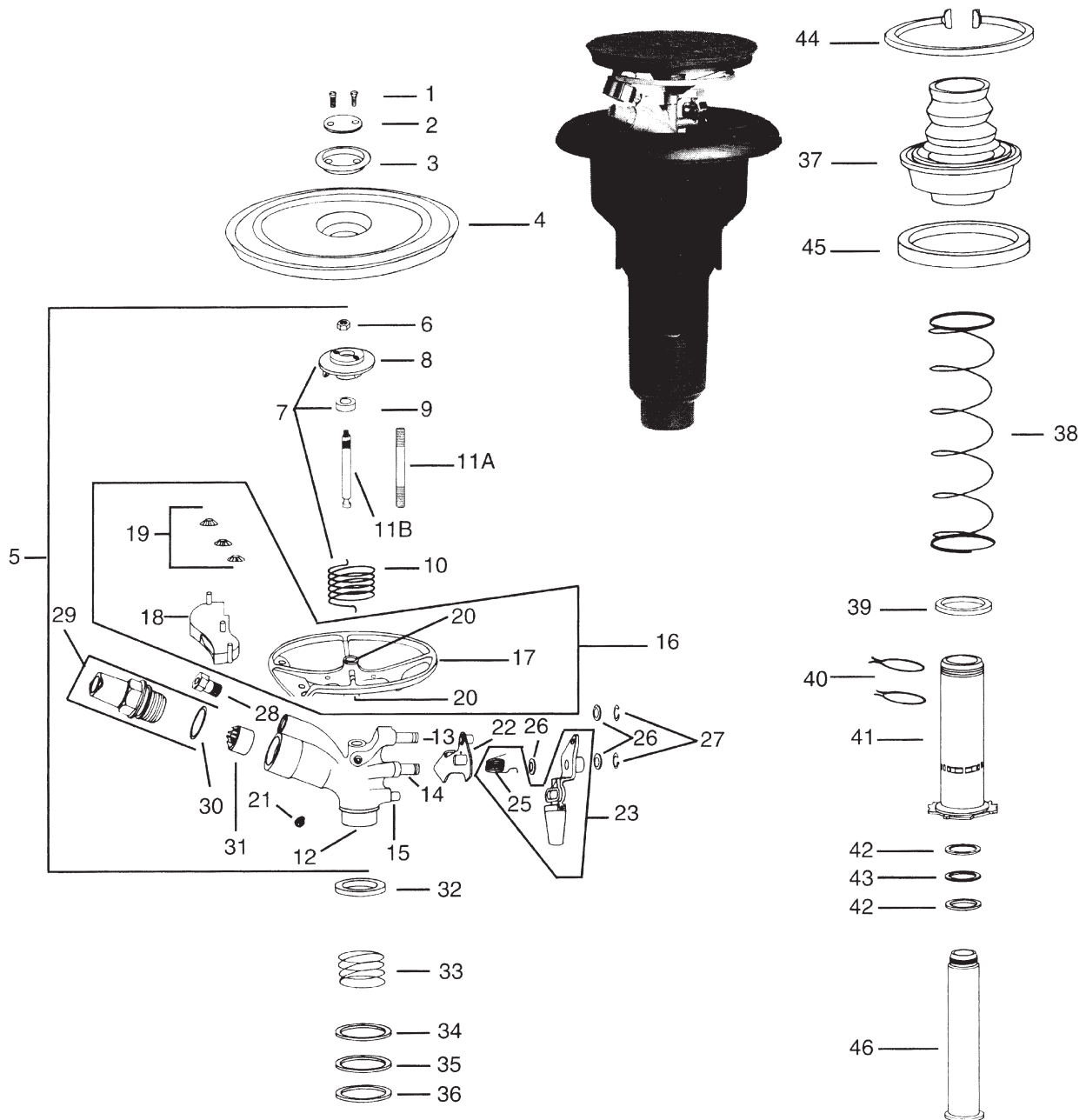
PART CIRCLE ROTOR

95DR / 95DS / 95DH

Ref. No. : 495

Date : 03/2000

Page : 1 of 3



Agrometer a/s

Grønne katalog side 6-19

Alle priser er excl. moms. Der tages forbehold for trykfej, prisstigninger og konstruktionsændringer. Maj 2007.



Fælledvej 10 • 7200 Grindsted • Tlf. 76 72 13 00 • Fax 76 72 13 98
www.agrometer.dk • agrometer@agrometer.dk

Res.dele Rain Bird 95DR / 95DS / 95DH



PART CIRCLE ROTOR

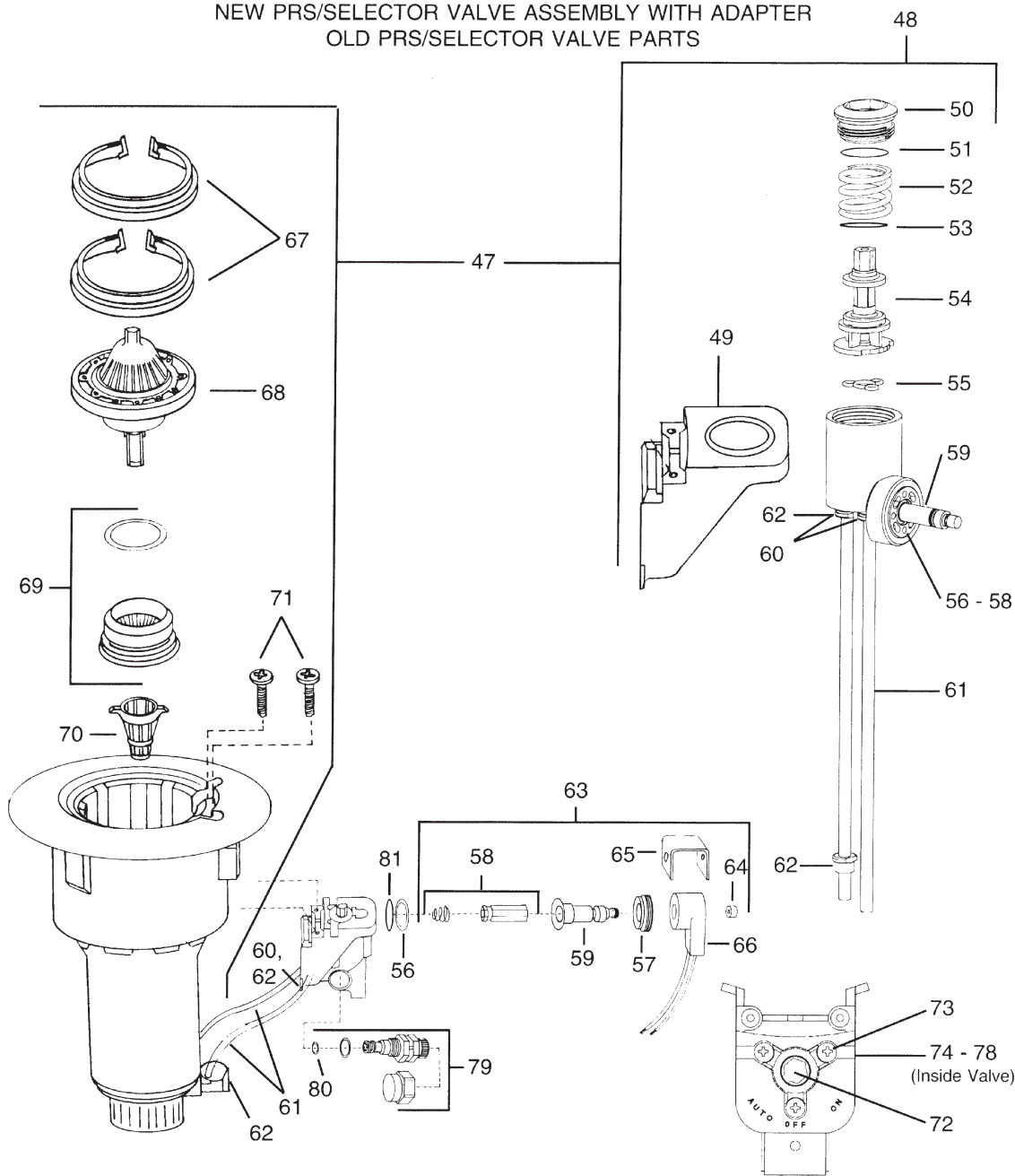
95DR / 95DS / 95DH

Ref. No. : 495

Date : 03/2000

Page : 2 of 3

NEW PRS/SELECTOR VALVE ASSEMBLY WITH ADAPTER
OLD PRS/SELECTOR VALVE PARTS



Grønne katalog side 6-20

Alle priser er excl. moms. Der tages forbehold for trykfejl, prisstigninger og konstruktionsændringer. Maj 2007.



Agrometer a/s

Fælledvej 10 • 7200 Grindsted • Tlf. 76 72 13 00 • Fax 76 72 13 98
www.agrometer.dk • agrometer@agrometer.dk

Res.dele Rain Bird 95DR / 95DS / 95DH



PART CIRCLE ROTOR

95DR / 95DS / 95DH

Ref. No. : 495

Date : 03/2000

Page : 3 of 3

Ref.	Part Description	95DR	95DS	95DH	Ref.	Part Description	95DR	95DS	95DH
* COVER ASSEMBLIES					CASE ASSEMBLY WITH NEW PRS/SELECTOR VALVE (Post 5/93)				
1	Cover Screws, Standard	200974	200974	200974	47	Case Assembly (BSP)	207995-02	208514-02	—
2	Retainer, Steel	202685	202685	202685	48	PRS/Selector Assembly	210808-03	—	—
3	Plastic Sand Cover	204749	204749	204749	49	Selector Adapter	—	—	—
4	Plastic Cover	208625	208625	208625	50	Cover, Threaded	—	—	—
INTERNAL ASSEMBLY 208236-30-15 208236-30-15 208236-30-15					51	O-Ring, Stem Cover (F)	(F)	—	—
UPPER ASSEMBLY (New Threaded Fulcrum Pin Version)					52	Spring, Compression	—	—	—
5	Arm/Body Assy	203122-30-15	203122-30-15	203122-30-15	53	Selector Washer	—	—	—
	Body/Fulcrum Pin Assy	202686	202686	202686	54	PRS Cartridge (F)	(F)	—	—
6	Fulcrum Nut (A)	(A)	(A)	(A)	55	Seal, Selector (F)	(F)	—	—
7	Cover Support Assy	210428	210428	210428	56	O-Ring, Solenoid Base	202882	—	—
8	Cover Support	—	—	—	57	Base Nut	602606	—	—
9	Arm Hood	—	—	—	58	Plunger Assembly	629453	—	—
10	Arm Spring	202699	202699	202699	59	Tube, Welded	630028	—	—
11A	Fulcrum Pin-Threaded (A)	(A)	(A)	(A)	60	Elbow, Barbed (2)	—	—	—
12	Body	—	—	—	61	Tubing (2)	205920-02	205920-02	—
13	Upper Trip Shaft	—	—	—	62	Ferrule (2-DR, 1-DH)	206409	—	206409
14	Lower Trip Shaft	—	—	—	63	Solenoid Assembly	206920-01	—	—
15	Stop Pin	—	—	—	57	Base Nut	602606	—	—
16	Arm Assembly	203944	203944	203944	58	Plunger Assembly	629453	—	—
17	Arm	—	—	—	59	Tube, Welded	630028	—	—
18	PJ Tube Assembly	204723	204723	204723	64	Retainer, Rubber	627167	—	—
19	Pushnut (3)	203638	203638	203638	65	U-Frame	210914	—	—
20	Arm Bushings (2)	202826	202826	202826	66	Coil	602118	—	—
OLDER NON THREADED FULCRUM PIN PARTS					67	Snap Ring, Lower (2)	208396	208396	208396
7	Cover Support Assy	203285	203285	203285	68	HFDV Valve Assembly	207653	208440	208440
8	Cover Support	—	—	—		HFDV Repair Kit	207594	208439	208439
9	Arm Hood	—	—	—	69	Inlet Adapter	207654	207654	207654
10	Arm Spring	202699	202699	202699	70	Inlet Screen	209923	209923	209923
	Fulcrum Pin Repair Kit	210068	210068	210068	OLD SELECTOR VALVE PARTS (Pre 5/93)				
6	Fulcrum Nut	—	—	—	71	Selector Valve Screws 6-20 (2)	—	—	—
11B	Fulcrum Pin-NON THD'D	—	—	—		Selector Valve Stem Repair Kit	210069	—	—
21	Set Screw	209803	209803	209803	72	Stem Assembly	—	—	—
TRIP MECHANISM (Included in Arm/Body Assembly # 5)					73	Screws (3)	—	—	—
22	Upper Trip Assembly	200773	200773	200773	74	O-Ring (4)	(G)	—	—
23	Lower Trip Assy (Post-6/94)	211186	211186	211186	75	Compression Spring	—	—	—
25	Trip Spring (B)	(B)	(B)	(B)	76	Spring Washer (2 or 3)	—	—	—
26	Spacer Washers (3) (B)	(B)	(B)	(B)	77	Seal Washer	204942	—	—
27	E-Ring (2) (B)	200975	200975	200975	78	Seal O-Ring	209656	—	—
NOZZLES (Included in Arm/Body Assembly # 5)					79	Pressure Regulator	208206	—	—
28	Drive Nozzle	206910	206910	206910	80	O-Ring, Selector Valve	—	—	—
29	Range Nozzle Assy	204182-xx	204182-xx	204182-xx	56	O-Ring, Solenoid Base	202882	—	—
30	O-Ring	203316	203316	203316	63	Solenoid Assembly	206920-01	—	—
31	Vane	202441	202441	202441	57	Base Nut	602606	—	—
BEARING ASSY (Sandboot Style)					58	Plunger Assembly	629453	—	—
32	Bearing Hood (D)	(D)	(D)	(D)	59	Tube, Welded	630028	—	—
33	Bearing Spring (D)	(D)	(D)	(D)	64	Retainer, Rubber	627167	—	—
	Sandboot Kit	208468	208468	208468	65	U-Frame	210914	—	—
34	Spring Support Washer (D)	(D)	(D)	(D)	66	Coil	602118	—	—
35	Teflon Top Seal Washer (D)	(D)	(D)	(D)	60	Elbow, Barbed (2)	—	—	—
36	Upper Brg Seal Washer (D)	(D)	(D)	(D)	61	Tubing (2)	205920-02	205920-02	—
37	Bellows/Bearing Guide (E)	(E)	(E)	(E)	62	Ferrule (2-DR, 1-DH)	206409	—	206409
38	Retract Spring	—	—	—	81	Screen	203327	—	—
39	Buna N Guide Seal (D)	(D)	(D)	(D)	(C) Specify nozzle size when ordering.				
40	Friction Collars (2)	202429	202429	202429	(D) Included in Bearing Washer Kit # 204179.				
41	Bearing Sleeve Assembly	203126	203126	203126	(E) Not saleable, included in assembly listed above.				
42	Brg Washer (Black) (2) (D)	(D)	(D)	(D)	(F) Included in new style PRS/Selector Repair Kit # 210166.				
43	Wear Washer (Gold) (D)	(D)	(D)	(D)	(G) Selector Valves made before 6/88 used three (3) O-Rings # 211238.				
44	Upper Snap Ring	208395	208395	208395	*Rubber cover (#P00071) and artificial grass cover (#P00094) kits are available.Consult the current whole goods price list.				
45	Seal, bearing Guide (Red)	211239	211239	211239					
46	Bearing Nipple	202928	202928	202928					

(A) Included in Fulcrum Repair Kit # 211022.
 (B) Included in Trip Spring & Washer Kit # 209361.

Grønne katalog side 6-21

Alle priser er excl. moms. Der tages forbehold for trykfejl, prissjusteringer og konstruktionsændringer. Maj 2007.



Agrometer a/s

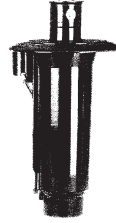
Fælledvej 10 • 7200 Grindsted • Tlf. 76 72 13 00 • Fax 76 72 13 98
 www.agrometer.dk • agrometer@agrometer.dk

Res.dele Rain Bird Eagle 900

RAIN BIRD®

FULL CIRCLE ROTOR

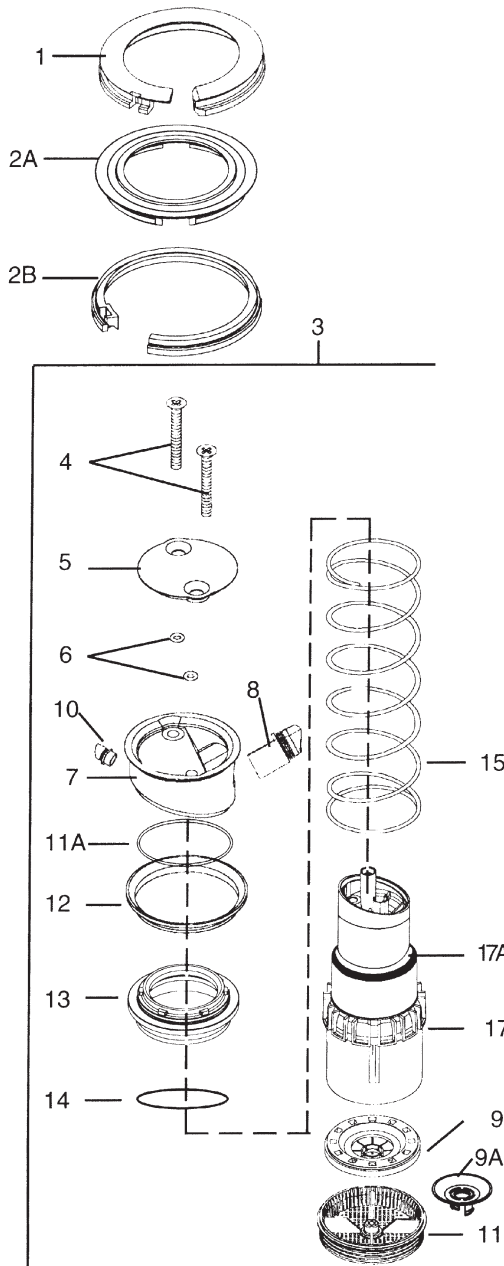
EAGLE - 900 SERIES



Ref. No. : 496

Date : 03/2000

Page : 1 of 2



Ref.	Part Description	Qty.	900-E	900-S	900-H
SNAP RINGS					
1	Snap Cover (all models)	1	211934-01	211934-01	211934-01
2A	Cover, Rubber		included in 211598		
2B	Snap Ring, Upper		included in 211598		
INTERNAL ASSEMBLY					
3	Internal Assembly	1	210786-30	211918-30	210786-30
* COVER ASSEMBLY					
4	Screw, 1/4 - 15	2	210975	210975	210975
5	Cover, Housing	1	211966	211966	211966
6	O-Ring, Screw	2	209778	209778	209778
NOZZLES					
	Nozzle/Housing/Stator Kit (B)	1	210422-xx	210422-xx	210422-xx
	Nozzle/Housing/Stator Kit (C)	1	211216-xx	211216-xx	211216-xx
7	Housing, Nozzle - Black (E)	1	211967	211967	211967
8	Nozzle Assembly, Range	1	—	—	—
10	Spreader Nozzle Assembly	1	—	—	—
9A	Poppet	1	—	—	—
9	Stator	1	—	—	—
12	Seal, Retract	1	210231	210231	210231
11	Screen	1	210232	210232	210232
BEARING / RISER-MOTOR ASSEMBLY					
11A	O-Ring, Nozzle Housing	1	210168	210168	210168
13	Guide, Bearing, STD	1	211460	—	211460
13	Guide, Bearing, LO-FLOW (A)	1	—	211461	—
14	O-Ring, Bearing Guide	1	211312	211312	211312
15	Spring, Retract	1	—	—	—
17	Riser Motor Assembly	1	209836	209836	209836
17A	Pop-up Seal (White)	1	209781	209781	209781
CASE ASSEMBLIES					
18	Case Assembly (BSP)	1	211399-03	211401	211400
	Clip, Case Housing (Not Shown)	1	210840	210840	210840
19	PRS/Selector Assy (>6/95) 2 tubes	1	211418	—	—
21	Cover, Threaded (F)	1	(F)	—	—
22	O-Ring, Stem Cover (F)	1	(F)	—	—
23	Spring, Compression	1	—	—	—
24	Selector Washer	1	210040	—	—
25	PRS Cartridge (F)	1	(F)	—	—
26	Seal, Selector (F)	1	(F)	—	—
20	PRS/Housing Kit (>6/95) 2 tubes	1	211386	—	—
27	Base Nut	1	602606	—	—
28	O-Ring, Solenoid Base	1	—	—	—
29	Tube, Welded	1	630028	—	—
	Plunger Assembly (not shown)	1	629453	—	—
30	Tubing	1	205920-02	205920-02	—
32	Ferrule	2	206409	—	206409
33	Solenoid Assembly	1	206920-01	—	—
34	Retainer, Rubber	1	627167	—	—
35	U-Frame	1	210914	—	—
36	Coil	1	602118	—	—
37	Snap Ring, Lower	2	208396	208396	208396
38	HPDV Valve Assembly	1	211266	211267	211268
	HPDV Diaphragm Assembly Kit (-899)	1	207594	208439	208439
	(Not Shown)				
39	Screen, Inlet (<9/98)	1	209923	209923	209923
40	Top Serviceable Rock Screen	1	211714-02	211714-02	211714-02
41	Probe & O-ring Assembly	1	207402	207402	207402

(A) The LO-FLOW bearing Guide #211461 may also be used on the 900 Series Electric and Hydraulic Units.

(B) Specify Nozzle Size when ordering. Available in # 18, 22, 24.

(C) Specify Nozzle Size when ordering. Available in # 20, 26, 28, 30, 32.

(E) The Nozzle Housing was changed 8/99 to accommodate the new Spreader for the High performance nozzles. All 900 rotors and nozzles/Stator kits manufactured after 8/99 have the new Nozzle Housing. If the old Nozzle Housing is required (prior to 8/99), order 210159.

(F) Included in PRS/Selector Repair Kit # 210166.

* Rubber cover (#211598) and artificial grass cover (#P00904) kits are available. Consult whole goods price list.

Grønne katalog side 6-22

Alle priser er excl. moms. Der tages forbehold for trykfejl, prissjusteringer og konstruktionsændringer. Maj 2007.



Agrometer a/s

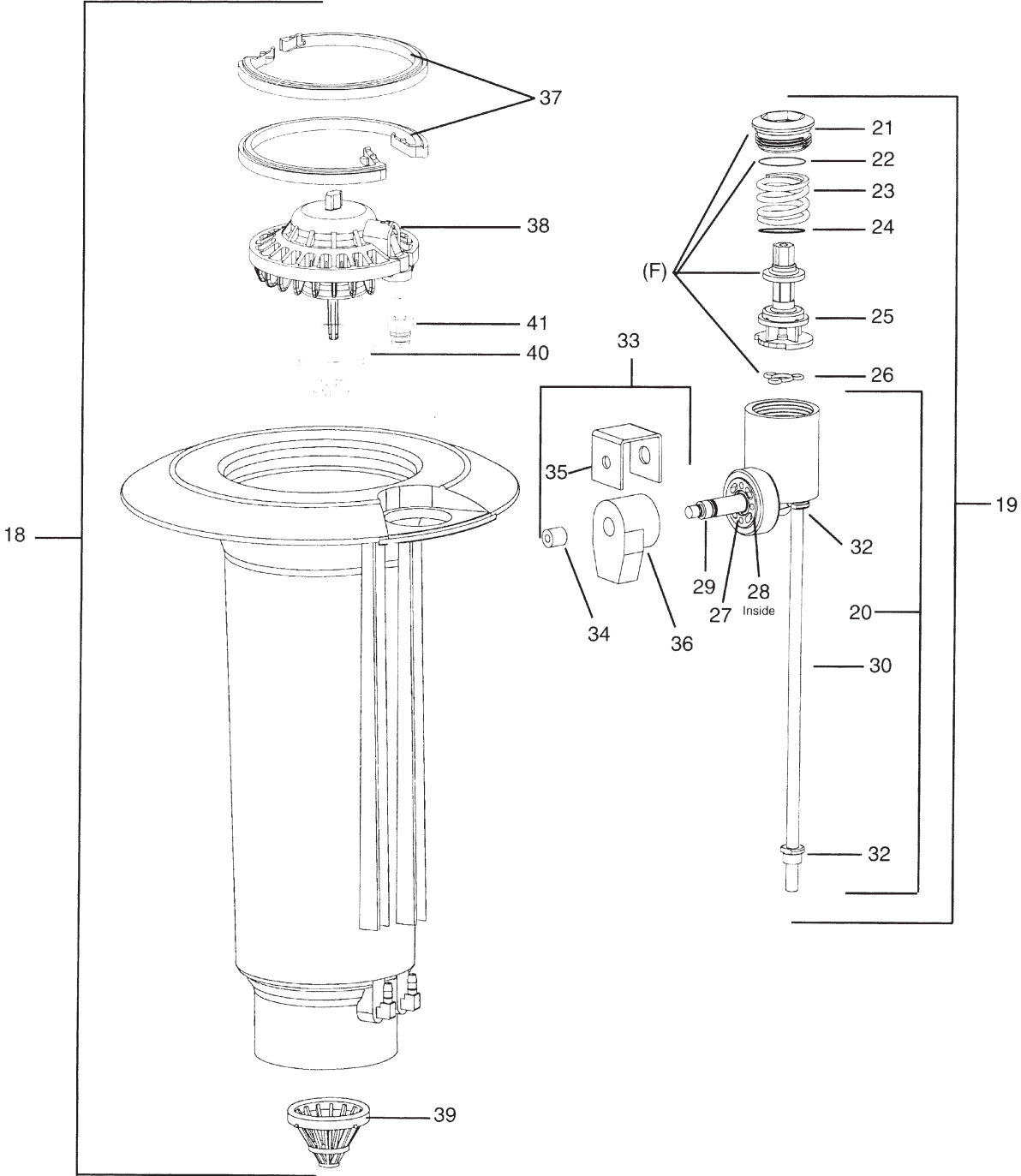
Fælledvej 10 • 7200 Grindsted • Tlf. 76 72 13 00 • Fax 76 72 13 98
www.agrometer.dk • agrometer@agrometer.dk

Res.dele Rain Bird Eagle 900



FULL CIRCLE ROTOR
EAGLE - 900 SERIES

Ref. No. : 496
Date : 03/2000
Page : 2 of 2

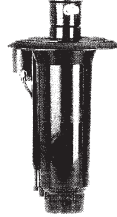


Res.dele Rain Bird Eagle 950

RAIN BIRD®

PART CIRCLE ROTOR

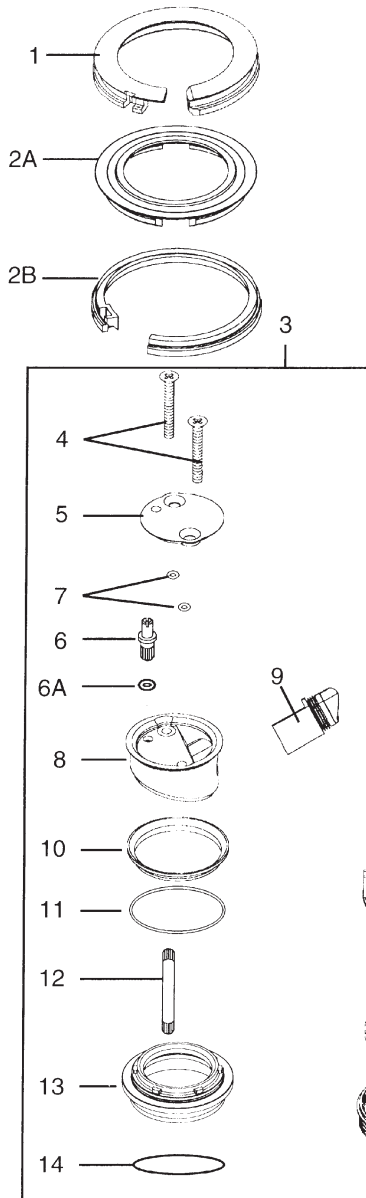
EAGLE - 950 SERIES



Ref. No. : 497

Date : 03/2000

Page : 1 of 2



Ref.	Part Description	Qty.	950-E	950-S	950-H
SNAP RINGS					
1	Snap Cover	1	211934-01	211934-01	211934-01
2A	Cover, Rubber		included in 211599		
2B	Snap Ring, Upper		included in 211599		
INTERNAL ASSEMBLY					
3	Internal Assembly	1	211442-28	211919-28	211442-28
* COVER ASSEMBLY					
4	Screw, 1/4 - 15	2	210975	210975	210975
	Oversized Arc Adjust & Cover Kit (A)		212158	212158	212158
5	Cover, Housing	1	—	—	—
6	Oversized Arc Adjust	2	—	—	—
6A	Quad Seal, Arc Adjust	1	—	—	—
7	O-Ring, Screw	1	210836	210836	210836
NOZZLES					
8	Housing, Nozzle - Black	1	210835	210835	210835
	Nozzle/Stator Kit - Cascade (B)	1	211441-xx	211441-xx	211441-xx
	Nozzle/Stator Kit - Non-Cascade (C)	1	211215-xx	211215-xx	211215-xx
9	Nozzle Assembly, Range	1	—	—	—
17	Poppet	1	—	—	—
18	Stator	1	—	—	—
10	Seal, Retract	1	210231	210231	210231
19	Screen	1	210232	210232	210232
BEARING / RISER-MOTOR ASSEMBLY					
11	O-Ring, Nozzle Housing	1	210436	210436	210436
12	Adjustment Stem	1	210837	210837	210837
13	Guide, Bearing, STD	1	211460	—	211460
13	Guide, Bearing, LO-FLOW	1	—	211461	—
14	O-Ring, Bearing Guide	1	211312	211312	211312
15	Spring, Retract	1	—	—	—
16	Riser Motor Assembly	1	210439	210439	210439
16A	Pop-up Seal (White)	1	209781	209781	209781
CASE ASSEMBLIES					
19	Case Assembly (BSP)	1	211399-03	211401	211400
	Clip, Case Housing (Not Shown)	1	210840	210840	210840
20	PRS/Selector Assy (>6/95) 2 tubes	1	211418	—	—
22	Cover, Threaded (F)	1	(F)	—	—
23	O-Ring, Stem Cover (F)	1	(F)	—	—
24	Spring, Compression	1	—	—	—
25	Selector Washer	1	210040	—	—
26	PRS Cartridge (F)	1	(F)	—	—
27	Seal, Selector (F)	1	(F)	—	—
21	PRS/Housing Kit (>6/95) 2 tubes	1	211386	—	—
28	Base Nut	1	602606	—	—
29	O-Ring, Solenoid Base	1	—	—	—
30	Tube, Welded	1	630028	—	—
	Plunger Assembly (not shown)	1	629453	—	—
31	Tubing	1	205920-02	205920-02	—
33	Ferrule	2	206409	—	206409
34	Solenoid Assembly	1	206920-01	—	—
35	Retainer, Rubber	1	627167	—	—
36	U-Frame	1	210914	—	—
37	Coil	1	602118	—	—
38	Snap Ring, Lower	2	208396	208396	208396
39	HPDV Valve Assembly	1	211266	211267	211268
	HFDV Diaphragm Assembly Kit (<8/99)	1	207594	208439	208439
	(Not Shown)				
40	Probe & O-ring Assembly	1	207402	207402	207402
41	Top Serviceable Rock Screen	1	211714-02	211714-02	211714-02
	O-Ring, Rock Screen	1	210366	210366	210366
42	Screen, Inlet (<9/98)	1	209923	209923	209923

(A) New Oversized Arc Adjust incorporated 2/00. Order kit # 212158 for new Arc Adjust.

(B) Specify Nozzle Size when ordering. Available in # 18, 20, 22, 24.

(C) Specify Nozzle Size when ordering. Available in # 26, 28, 30, 32.

(F) Included in PRS/Selector Repair Kit # 210166.

* Rubber cover (#211599) and artificial grass cover (#P00904) kits are available. Consult whole goods Price List.

Grønne katalog side 6-24

Alle priser er excl. moms. Der tages forbehold for trykfejl, prisstigninger og konstruktionsændringer. Maj 2007.



Agrometer a/s

Fælledvej 10 • 7200 Grindsted • Tlf. 76 72 13 00 • Fax 76 72 13 98
www.agrometer.dk • agrometer@agrometer.dk

Res.dele Rain Bird Eagle 950

RAIN BIRD®

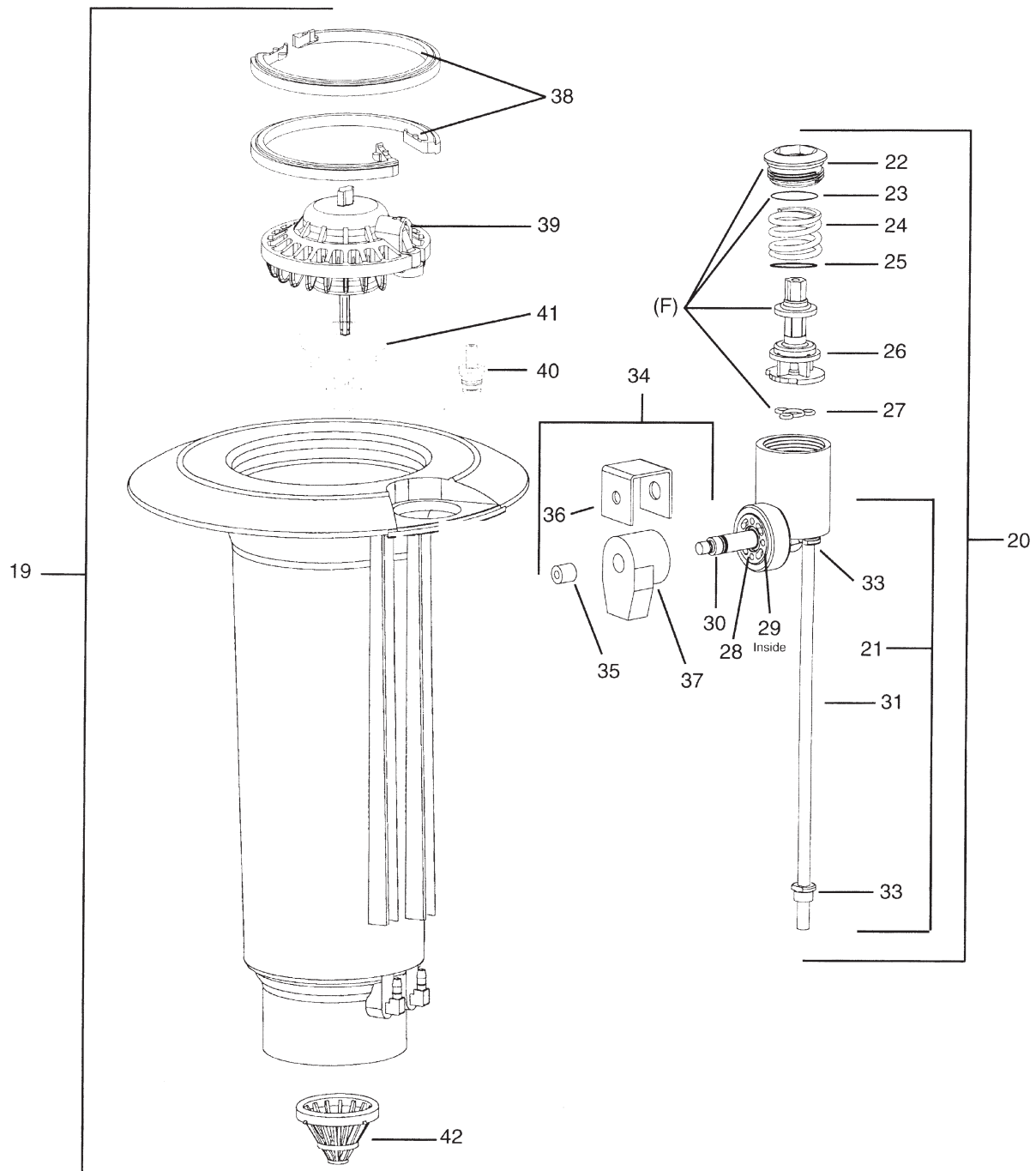
PART CIRCLE ROTOR

EAGLE - 950 SERIES

Ref. No. : 497

Date : 03/2000

Page : 2 of 2



Grønne katalog side 6-25

Alle priser er excl. moms. Der tages forbehold for trykfejl, prisstigninger og konstruktionsændringer. Maj 2007.



Agrometer a/s

Fælledvej 10 • 7200 Grindsted • Tlf. 76 72 13 00 • Fax 76 72 13 98
www.agrometer.dk • agrometer@agrometer.dk