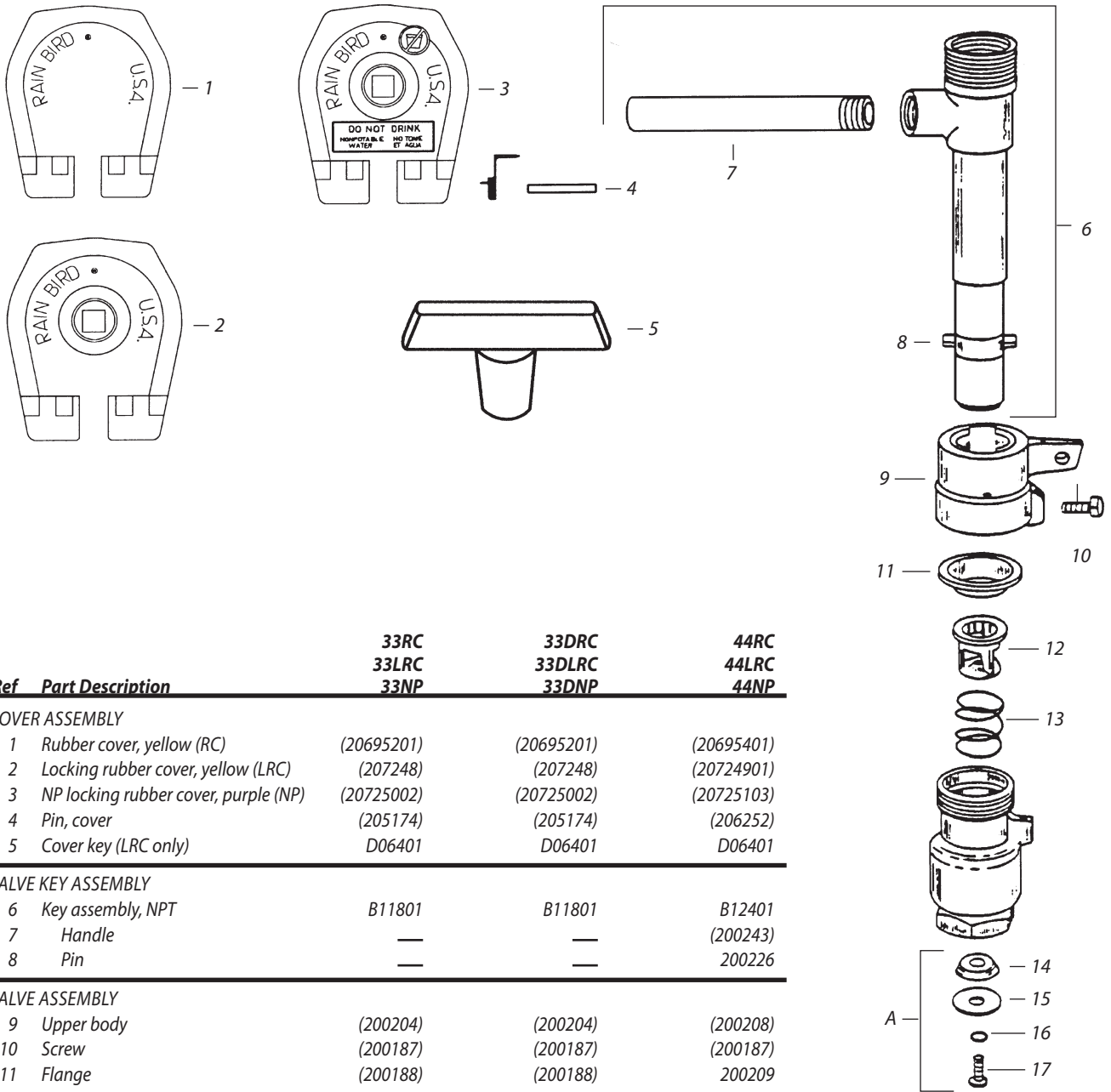
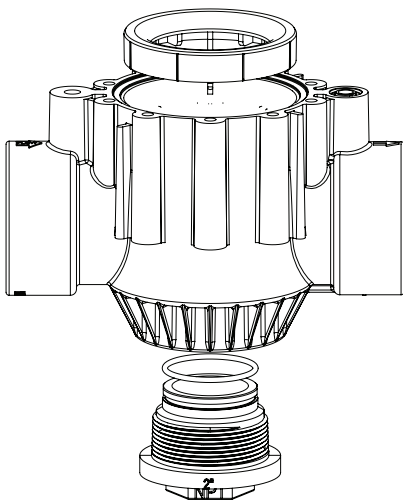
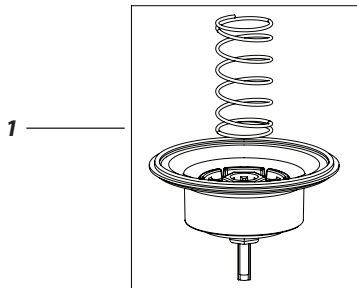
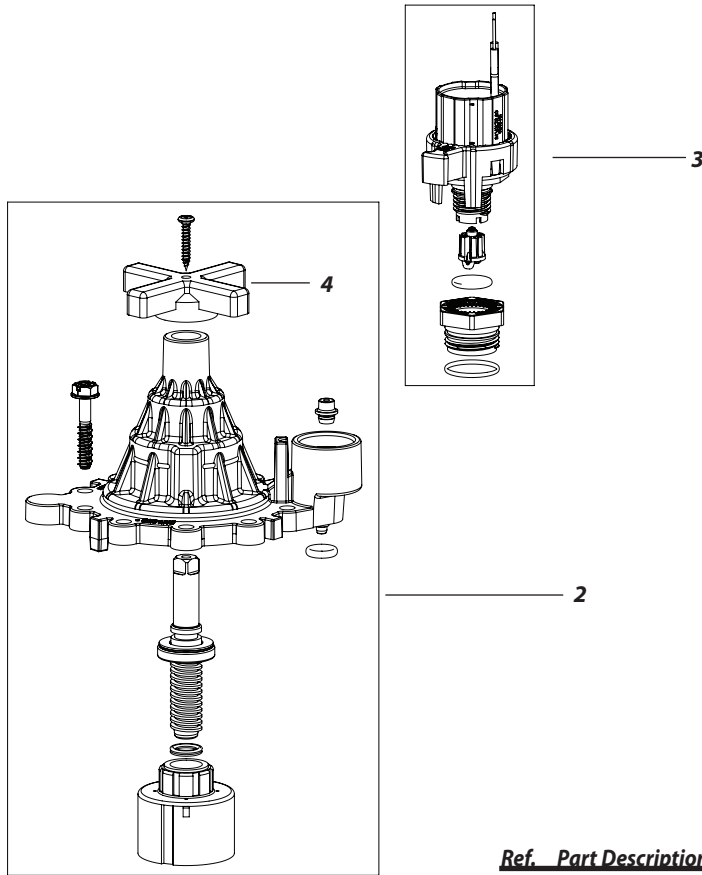


Quick coupler 3 RC / LRC - 5 RC / LRC	2
100 - 150 - 200 PEB / PESB magnetventil	3
100 - 150 - 200 PGA magnetventil.....	4
125 - 150 - 200 EF - CP / EFA-CP / EFA-CP-PRS magnetventil.....	5



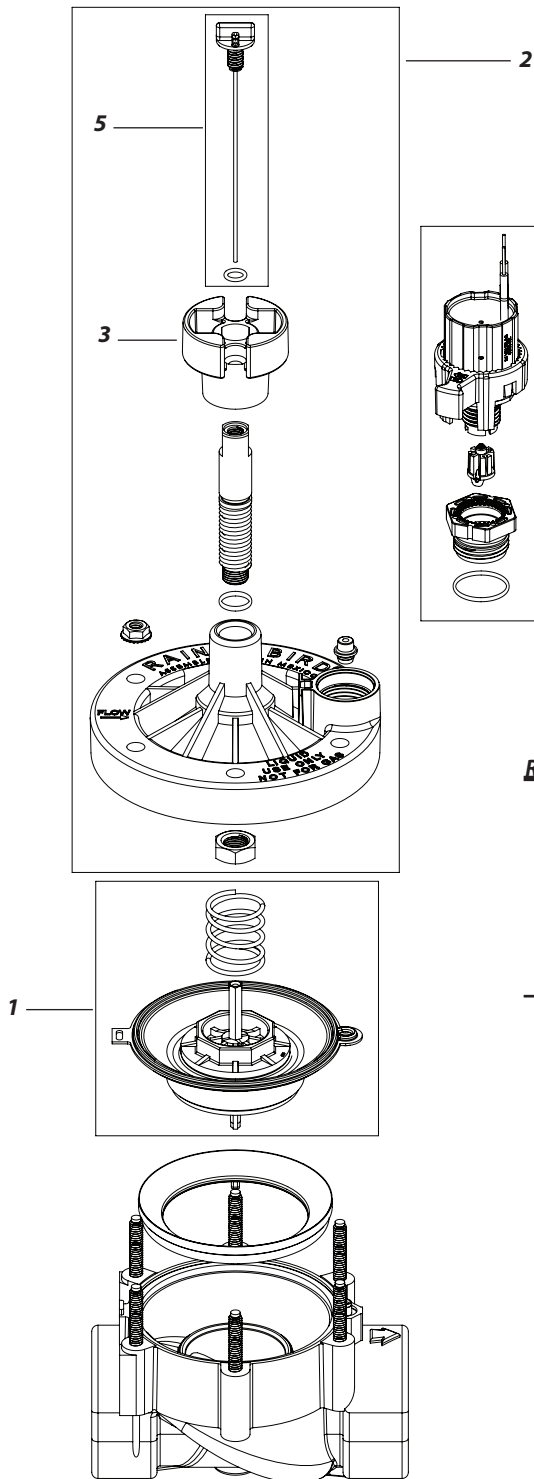
Ref	Part Description	33RC 33LRC 33NP	33DRC 33DLRC 33DNP	44RC 44LRC 44NP
COVER ASSEMBLY				
1	Rubber cover, yellow (RC)	(20695201)	(20695201)	(20695401)
2	Locking rubber cover, yellow (LRC)	(207248)	(207248)	(20724901)
3	NP locking rubber cover, purple (NP)	(20725002)	(20725002)	(20725103)
4	Pin, cover	(205174)	(205174)	(206252)
5	Cover key (LRC only)	D06401	D06401	D06401
VALVE KEY ASSEMBLY				
6	Key assembly, NPT	B11801	B11801	B12401
7	Handle	—	—	(200243)
8	Pin	—	—	200226
VALVE ASSEMBLY				
9	Upper body	(200204)	(200204)	(200208)
10	Screw	(200187)	(200187)	(200187)
11	Flange	(200188)	(200188)	200209
12	Cage	(200503)	(200503)	(200210)
13	Spring	(200502)	(200502)	200211
14	Rubber disc (Buna-N)	—	—	(200213)
15	Retainer	—	—	(200214)
16	Washer	—	—	(200215)
17	Screw	—	—	(205806)
A	Repair kit (33 series includes 12 and 13)	(204146)	(204146)	203747



Ref.	Part Description	100PGA	150PGA	200PGA
1	Diaphragm Assembly	209792	209675	209005
2	Bonnet Assembly	210858	210454	210866
3	Solenoid Assembly	236239	236239	236239
4	Handle NP	231234	231236	231236

PESB & PESB-R SERIE

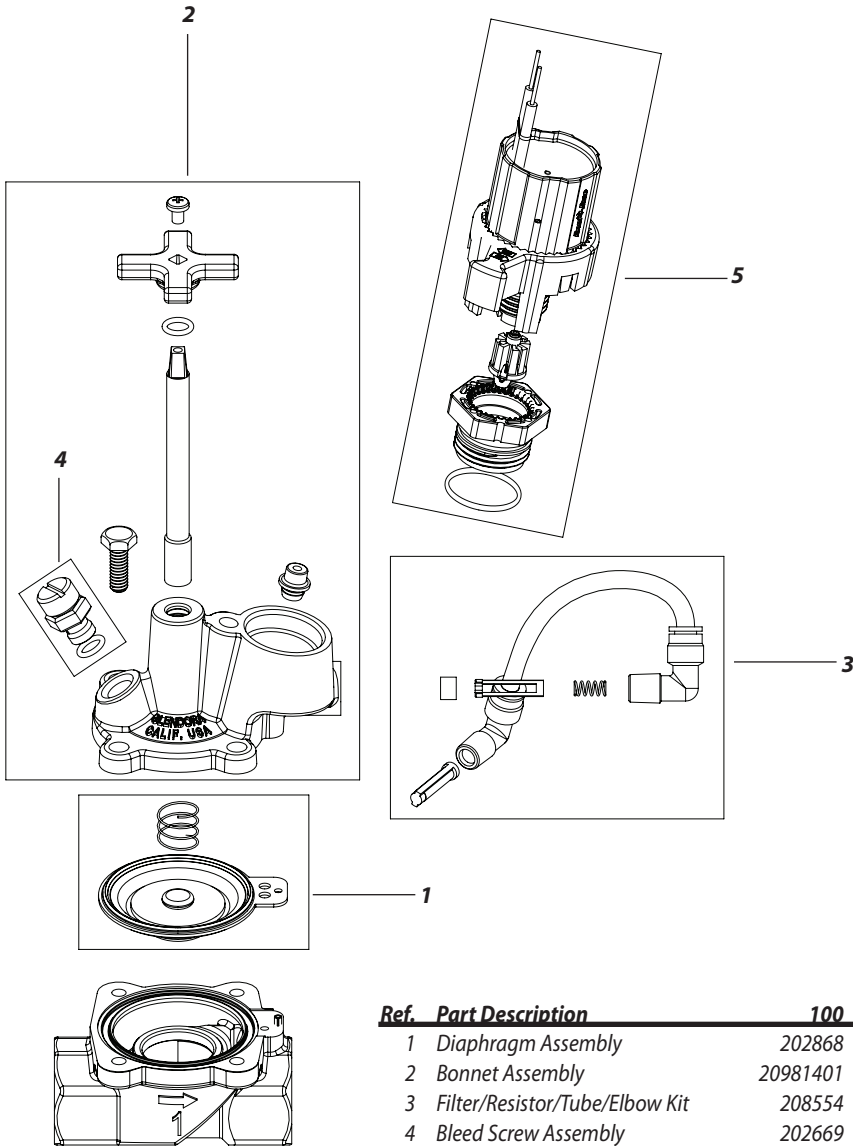
100/150/200



Ref.	Part Description	100	150	200
1	Diaphragm Assembly	208143	(234882S)	(208605)
		20814402	(23486602S)	(20851802)
		(20814404S)	(23486604S)	(20851804S)
2	Bonnet Assembly	20936701	(20936702)	(20936702)
3	Handle NP	231230	231232	231232
4	Solenoid Assembly	236239	236239	236239
5	Bleed Screw Assembly	204152	204152	204152

EFB-CP SERIE

100/125/150/200



Ref.	Part Description	100	125	150	200
1	Diaphragm Assembly	202868	203604	202614	202615
2	Bonnet Assembly	20981401	(20981402)	20981403	20981404
3	Filter/Resistor/Tube/Elbow Kit	208554	208554	208554	208554
4	Bleed Screw Assembly	202669	202669	202669	202669
5	Solenoid Assembly	236239	236239	236239	236239