



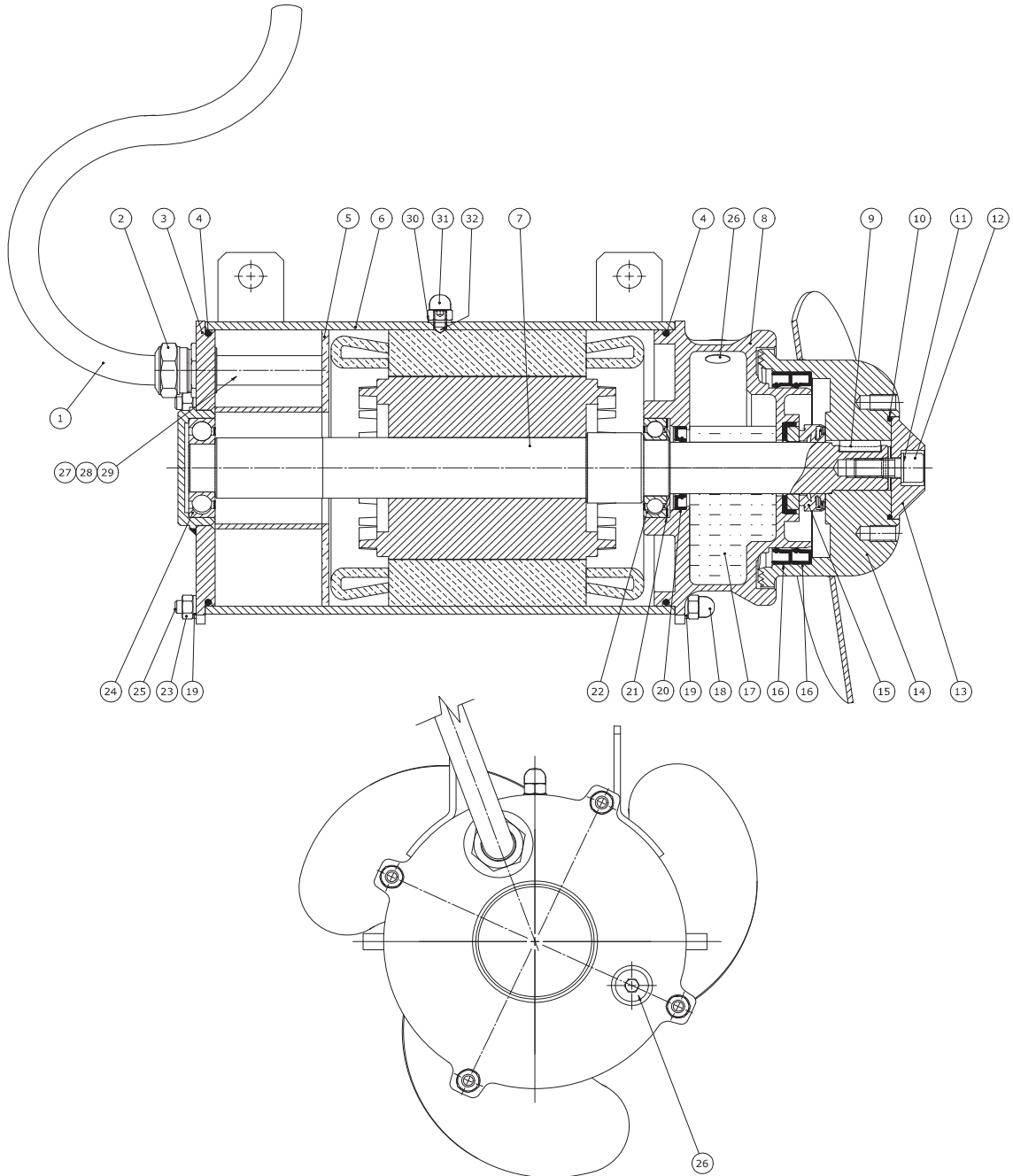
Spare Parts List
TBX Horizontal Submersible Mixers

Version

1.5/6N	2.2/6N	3/6N	
--------	--------	------	--

Bill of Materials No.

2.01920	2.01921	2.01922	
---------	---------	---------	--





Spare Parts List
TBX Horizontal Submersible Mixers

Version

1.5/6N 2.2/6N 3/6N

Bill of Materials No.

2.01920 2.01921 2.01922

Pos.	Code	Description	Quantity of Spare Parts		
1	1.00330	Electric Cable	10,30 m	10,30 m	10,30 m
2	1.01597	Cable Gland	1	1	1
3	0.04263	Back Lid	1	1	-
3	0.04799	Back Lid	-	-	1
4	1.00304	OR ring	2	2	2
5	0.04775	Ring	1	1	1
6	0.04276	Motor cover with Stator	1	1	-
6	0.04268	Motor cover with Stator	-	-	1
7	0.04280	Shaft with rotor	-	-	1
7	0.04279	Shaft with rotor	1	1	-
8	0.04687	Front Support	1	1	1
9	1.00549	Key	1	1	1
10	1.00301	OR ring	1	1	1
11	1.00461	Plain Washer	1	1	1
12	1.01836	VTCEI screw	1	1	1
13	0.03021	Washer	1	1	1
14	0.03090	Propeller	-	-	1
14	0.03089	Propeller	-	1	-
14	0.03088	Propeller	1	-	-
15	1.00523	Mechanical seal	1	1	1
16	1.02125	Lip seal	2	2	2
17	1.00665	Oil	0,5 l	0,5 l	0,5 l
18	1.01844	Nut	4	4	4
19	1.00517	Grower Washer	8	8	8
20	1.01820	Lip seal	1	1	1
21	1.02134	Ring	1	1	1
22	1.02331	Bearing	1	1	1
23	1.01845	Nut	4	4	4
24	1.02330	Bearing	1	1	1
25	0.04264	Tie-beam	4	4	4
26	1.00589	Plug	2	2	2
27	1.02226	Terminal	9	9	9
28					
29	1.01806	Insulating Sleeve	0,20 m	0,20 m	0,20 m
30	1.00457	Plain Washer	1	1	1
31	1.01844	Nut	1	1	1
32	1.00392	Screw	1	1	1