



Spare Parts List
TBX Horizontal Submersible Mixers

Version

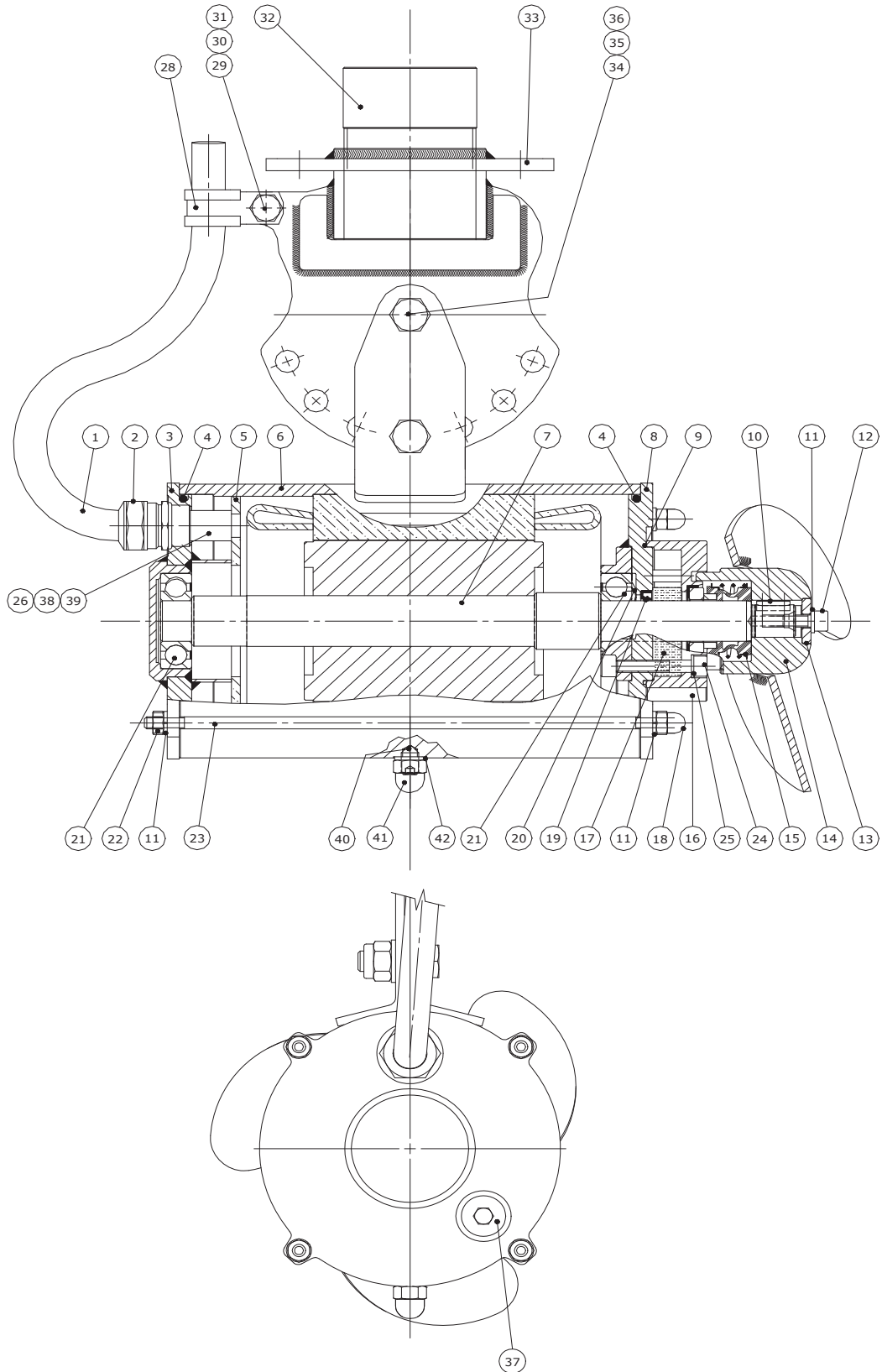
0.75/4N

1.1/4N

Bill of Materials No.

2.01918

2.01919





Spare Parts List
TBX Horizontal Submersible Mixers

Version

0.75/4N

1.1/4N

Bill of Materials No.

2.01918

2.01919

Pos.	Code	Description	Necessary Q.ty of Spare Parts		
1	1.02516	Electric Cable	10,30 m	10,30 m	
2	1.02220	Cable Gland	1	1	
3	0.04688	Back Lid	-	1	
3	0.04146	Back Lid	1	-	
4	1.02113	OR Ring	2	2	
5	0.04776	Ring	1	1	
6	0.04153	Motor cover with Stator	-	1	
6	0.04154	Motor cover with Stator	1	-	
7	0.04141	Shaft with rotor	1	-	
7	0.04140	Shaft with rotor	-	1	
8	0.04136	Front Lid	1	1	
9	1.00292	OR Ring	1	1	
10	1.00557	key	1	1	
11	1.01945	Grower Washer	9	9	
12	1.01832	VTCEI Screw	1	1	
13	0.03109	Washer	1	1	
14	0.03111	Propeller	-	1	
14	0.03110	Propeller	1	-	
15	1.00531	Mechanical seal	1	1	
16	0.03108	Hub	1	1	
17	1.00665	Oil	0,04 l	0,04 l	
18	1.01843	Nut	4	4	
19	1.00357	Lip Seal	1	1	
20	1.02135	Ring	1	1	
21	1.02333	Bearing	2	2	
22	1.02532	Nut	4	4	
23	0.04150	Tie-beam	4	4	
24	1.02030	VTCEI Screw	4	4	
25	1.01174	USIT Washer	4	4	
26	1.02226	Terminal	6	6	
27					
28	1.00341	Cable Ties	1	1	
29	1.01828	VTE Screw	1	1	
30	1.01936	Nut	1	1	
31	1.01934	Plain Washer	1	1	
32	1.01417	Threaded cylinder	1	1	
33	0.03105	Bracket	1	1	
34	1.01829	VTE Screw	2	2	
35	1.01935	Plain Washer	2	2	
36	1.01937	Nut	2	2	
37	1.02280	TCEI Plug	1	1	
38	1.02225	Morsetto volante	1	1	
39	1.01805	Insulating Sleeve	0.20 m	0.15 m	
40	1.00392	Screw	1	1	
41	1.01844	Nut	1	1	
42	1.00457	Plain Washer	1	1	