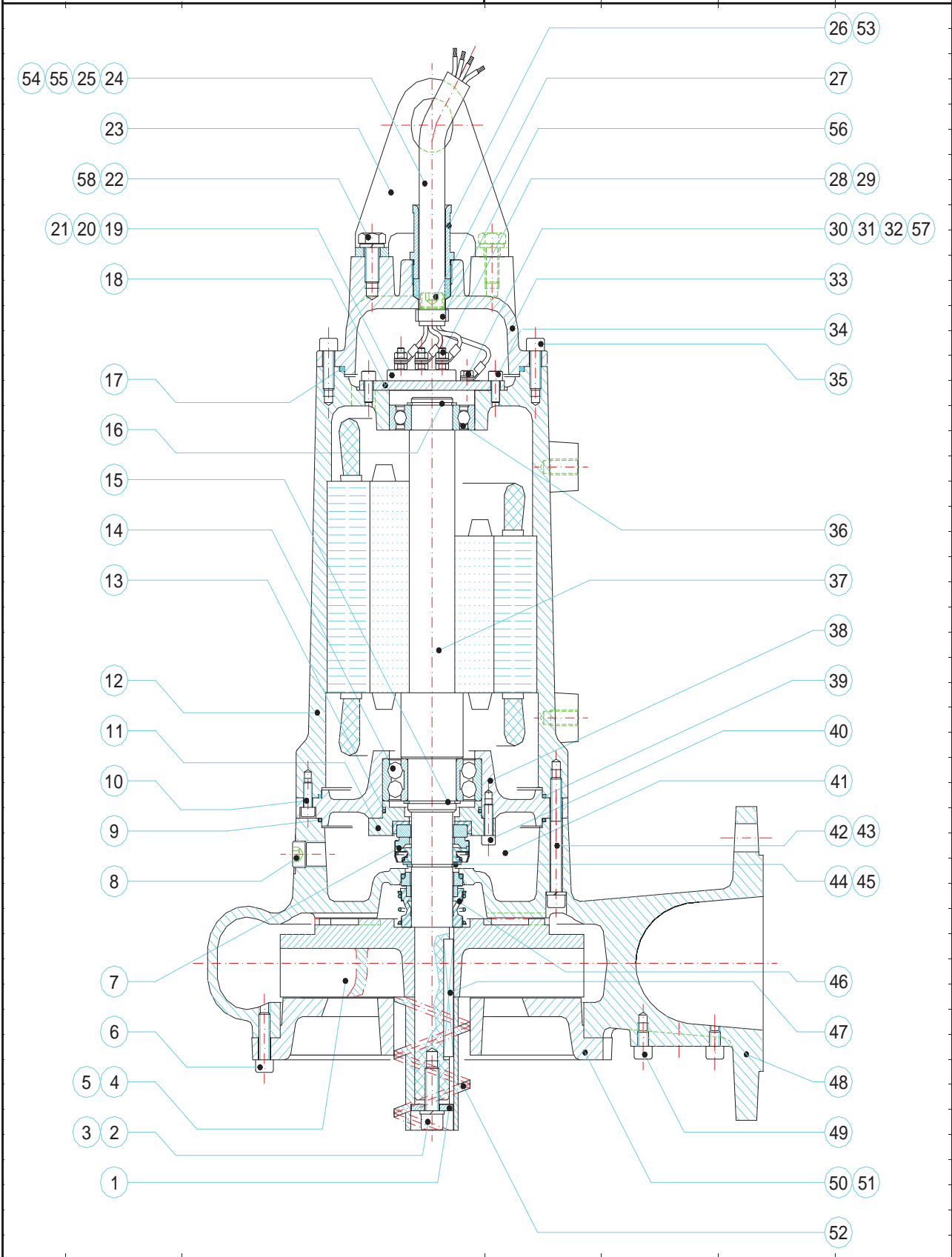





Spare Part List			
PTS-80 Submersible Pump Series			
Vertical Delivery			
PTS 2,2-80	PTS3-80	PTS4-80	
Bill of Materials No.			
2.00246	2.00247	2.00248	

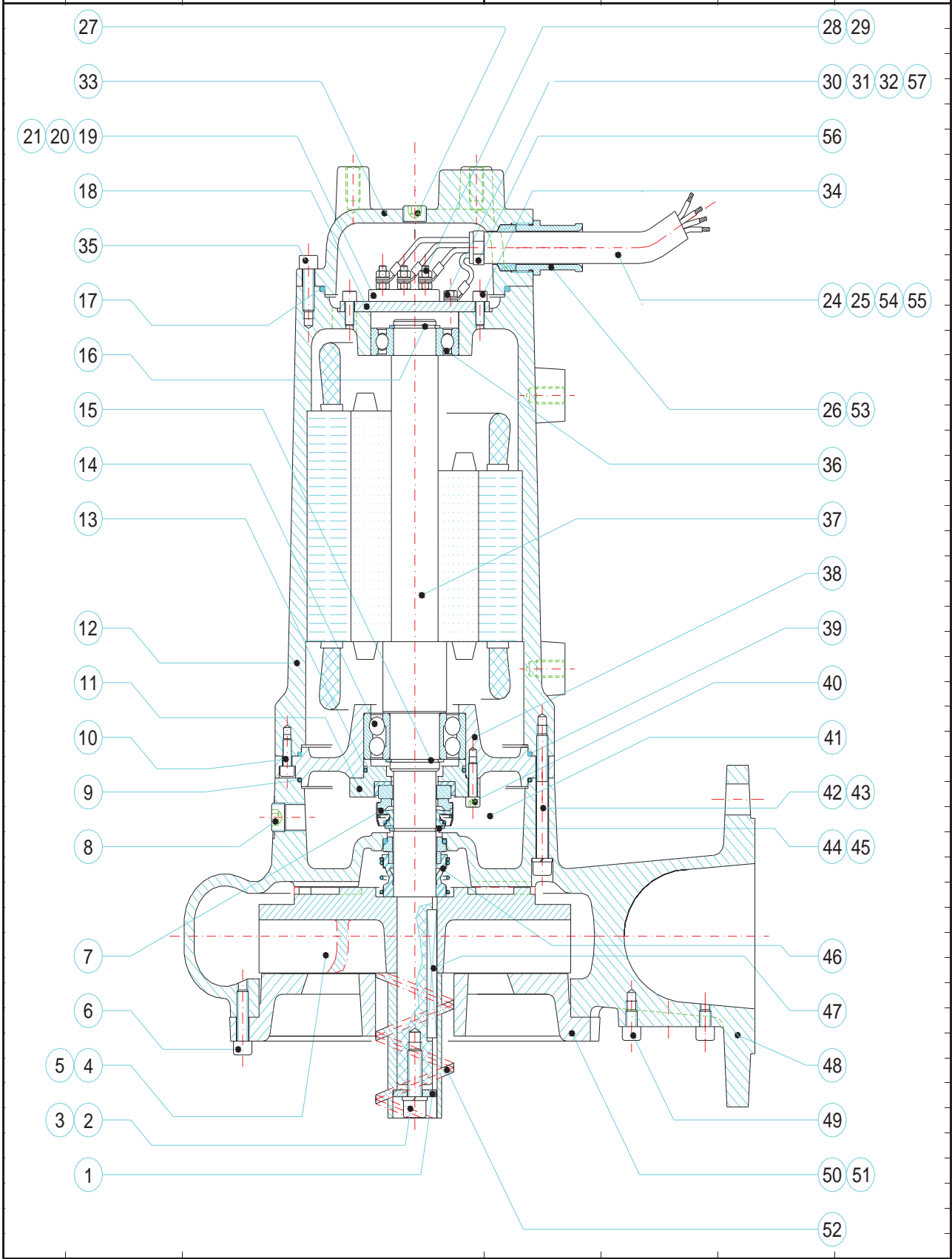



			Spare Part List			
			PTS-80 Submersible Pump Series			
			Vertical Delivery			
			PTS 2,2-80	PTS3-80	PTS4-80	
			Bill of Materials No.			
			2.00246	2.00247	2.00248	
Pos.	Code	Description	Necessary Q.ty of Spare Parts			
1	0.00900	Washer	1	1	1	
2	1.00130	VTCEI Screw	1	1	1	
3	1.00495	Washer	1	1	1	
4	0.01036	Impeller kW 2.2	1			
4	0.01037	Impeller kW 3		1		
4	0.00889	Impeller kW 4			1	
5	1.00511/2	Washer	X	X	X	
6	1.00117	VTCEI Screw	6	6	6	
7	1.00527	Mechanical seal	1	1	1	
8	1.00590	Plug	1	1	1	
9	1.00310	OR Ring	1	1	1	
10	1.00121	VTCEI Screw	2	2	2	
11	0.00893	Sealign Plate	1	1	1	
12	0.00903	Motor casing+Stator 2.2/4	1			
12	0.00904	Motor casing+Stator 3/4		1		
12	0.00905	Motor casing+Stator 4/4			1	
13	1.00317	OR Ring	1	1	1	
14	1.00216	Bearing	1	1	1	
15	1.00259	External Seeger Ring	1	1	1	
16	1.00257	External Seeger Ring	1	1	1	
17	1.00311	OR Ring	1	1	1	
18	0.01255	Terminal strip plate	1	1	1	
19	1.00340	Terminal strip plate	1	1	1	
20	1.00910	VTCEI Screw	2	2	2	
21	1.00484	Plain washer	2	2	2	
22	1.00154	VTE Screw	2	2	2	
23	0.00325	Bracket	1	1	1	
24	1.00330	Electric cable	10	10	10	
25	1.00327	Eyelet terminal	7	7	7	
26	0.01261	Cable gland	1	1	1	
27	1.00590	Plug	1	1	1	
28	1.00412	Nut	12	12	12	
29	1.00485	Plain washer	12	12	12	
30	1.00190	Screw	1	1	1	
31	1.00460	Plain washer	1	1	1	
32	1.02225	Flying terminal	1	1	1	
33	0.00906	Vertical head cover	1	1	1	
33	0.00601	Horizontal head cover				
34	1.00120	VTCEI Screw	4	4	4	
35	1.00110	VTCEI Screw	6	6	6	
36	1.00208	Bearing	1	1	1	
37	0.00907	Shaft with rotor kW 2.2 4p	1			
37	0.00908	Shaft with rotor kW 3 4p		1		
37	0.00909	Shaft with rotor kW 4 4p			1	
38	0.00890	Bearing housing	1	1	1	
39	1.00310	OR Ring	1	1	1	
40	1.00122	VTCEI Screw	4	4	4	
41	1.00665	Oil	0,5	0,5	0,5	
42	1.01340	VTCEI Screw	6	6	6	


		Spare Part List			
		PTS-80 Submersible Pump Series			
		Vertical Delivery			
		PTS 2,2-80	PTS3-80	PTS4-80	
		Bill of Materials No.			
		2.00246	2.00247	2.00248	
Pos.	Code	Description	Necessary Q.ty of Spare Parts		
43	1.00498	Grower washer	6	6	6
44	1.00257	External Seeger Ring	1	1	1
45	1.00504	Washer	1	1	1
46	1.00528	Mechanical seal	1	1	1
47	1.00553	Key	1	1	1
48	0.04329	Pump casing	1	1	1
49	N.F.				
50	1.00389	Screw	6	6	6
51	0.00892	Suction support	1	1	1
52	0.00899	Archimedean screw	1	1	1
53	0.01270	Gasket	1	1	1
54	1.01810	Sheath	1	1	1
55	1.01811	Seal	1	1	1
56	1.01472	Cable ties	1	1	1
57	1.00326	Tipped terminal	2	2	2
58	1.00495	Grower washer	2	2	2



Spare Part List			
PTS-80 Submersible Pump Series			
Horizontal Delivery			
PTS 2,2-80	PTS3-80	PTS4-80	
Bill of Materials No.			
2.00249	2.00250	2.00251	



			Spare Part List			
			PTS-80 Submersible Pump Series			
			Vertical Delivery			
			PTS 2,2-80	PTS3-80	PTS4-80	
			Horizontal Delivery			
			2.00249	2.00250	2.00251	
Pos.	Code	Description	Necessary Q.ty of Spare Parts			
1	0.00900	Washer	1	1	1	
2	1.00130	VTCEI Screw	1	1	1	
3	1.00495	Washer	1	1	1	
4	0.01036	Impeller kW 2.2	1			
4	0.01037	Impeller kW 3		1		
4	0.00889	Impeller kW 4			1	
5	1.00511/2	Washer	X	X	X	
6	1.00117	VTCEI Screw	6	6	6	
7	1.00527	Mechanical seal	1	1	1	
8	1.00590	Plug	1	1	1	
9	1.00310	OR Ring	1	1	1	
10	1.00121	VTCEI Screw	2	2	2	
11	0.00893	Sealign Plate	1	1	1	
12	0.00903	Motor casing+Stator 2.2/4	1			
12	0.00904	Motor casing+Stator 3/4		1		
12	0.00905	Motor casing+Stator 4/4			1	
13	1.00317	OR Ring	1	1	1	
14	1.00216	Bearing	1	1	1	
15	1.00259	External Seeger Ring	1	1	1	
16	1.00257	External Seeger Ring	1	1	1	
17	1.00311	OR Ring	1	1	1	
18	0.01255	Terminal strip plate	1	1	1	
19	1.00340	Terminal strip plate	1	1	1	
20	1.00910	VTCEI Screw	2	2	2	
21	1.00484	Plain washer	2	2	2	
22	1.00154	VTE Screw				
23	0.00325	Bracket				
24	1.00330	Electric cable	10	10	10	
25	1.00327	Eyelet terminal	7	7	7	
26	0.01261	Cable gland	1	1	1	
27	1.00590	Plug	1	1	1	
28	1.00412	Nut	12	12	12	
29	1.00485	Plain washer	12	12	12	
30	1.00190	Screw	1	1	1	
31	1.00460	Plain washer	1	1	1	
32	1.02225	Flying terminal	1	1	1	
33	0.00906	Vertical head cover				
33	0.00601	Horizontal head cover	1	1	1	
34	1.00120	VTCEI Screw	4	4	4	
35	1.00110	VTCEI Screw	6	6	6	
36	1.00208	Bearing	1	1	1	
37	0.00907	Shaft with rotor kW 2.2 4p	1			
37	0.00908	Shaft with rotor kW 3 4p		1		
37	0.00909	Shaft with rotor kW 4 4p			1	
38	0.00890	Bearing housing	1	1	1	
39	1.00310	OR Ring	1	1	1	
40	1.00122	VTCEI Screw	4	4	4	
41	1.00665	Oil	0,5	0,5	0,5	
42	1.01340	VTCEI Screw	6	6	6	

			Spare Part List				
			PTS-80 Submersible Pump Series				
			Horizontal Delivery				
			PTS 2,2-80	PTS3-80	PTS4-80		
			Bill of Materials No.				
			2.00249	2.00250	2.00251		
Pos.	Code	Description	Necessary Q.ty of Spare Parts				
43	1.00498	Grower washer	6	6	6		
44	1.00257	External Seeger Ring	1	1	1		
45	1.00504	Washer	1	1	1		
46	1.00528	Mechanical seal	1	1	1		
47	1.00553	Key	1	1	1		
48	0.04329	Pump casing	1	1	1		
49	N.F.						
50	1.00389	Screw	6	6	6		
51	0.00892	Suction support	1	1	1		
52	0.00899	Archimedean screw	1	1	1		
53	0.01270	Gasket	1	1	1		
54	1.01810	Sheath	1	1	1		
55	1.01811	Seal	1	1	1		
56	1.01472	Cable ties	1	1	1		
57	1.00326	Tipped terminal	2	2	2		
58	1.00495	Grower washer					