



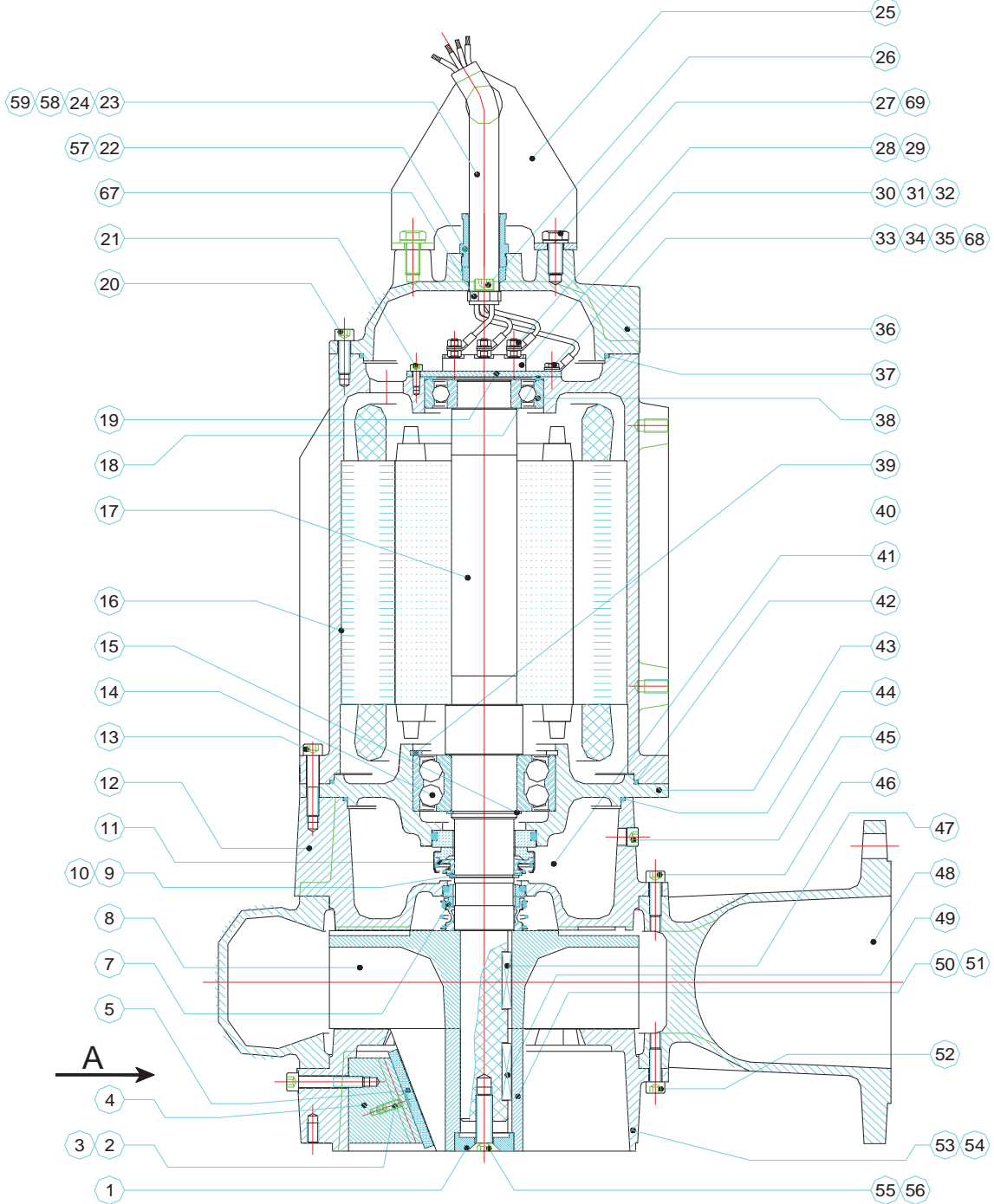
Spare Parts List
PTS-150 Submersible Pump Series

Vertical Version

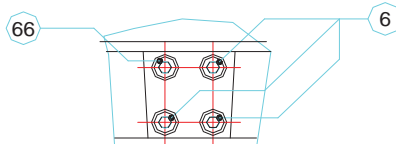
PTS 11-150	PTS 15-150	PTS 18,5-150
------------	------------	--------------

Bill of Materials No.

2.00989	2.00990	2.00991
---------	---------	---------



VISTA A





Spare Parts List
PTS-150 Submersible Pump Series

Vertical Version

PTS 11-150	PTS 15-150	PTS 18,5-150	
------------	------------	--------------	--

Bill of Materials No.

2.00989	2.00990	2.00991	
---------	---------	---------	--

Pos.	Code	Description	Necessary Q.ty of Spare Parts		
1	0.00649	Washer	1	1	1
2	1.00154	Screw	6	6	6
3	1.00472	Washer	6	6	6
4	0.00629	Support Blade	2	2	2
5	0.00630	Blade	2	2	2
6	1.00134	Screw	6	6	6
7	1.00525	Mechanical seal	1	1	1
8	0.01034	Impeller	1		
8	0.01035	Impeller		1	
8	0.00718	Impeller			1
9	1.00252	Snap ring	1	1	1
10	1.00508	Washer	1	1	1
11	1.00526	Mechanical seal	1	1	1
12	0.00642	Motor support	1	1	1
13	1.00134	Screw	6	6	6
14	1.00210	Bearing	1	1	1
15	1.00260	Snap ring	1	1	1
16	0.00653	Motor casing+Stator kW 11 - 4P	1		
16	0.00654	Motor casing+Stator kW 15 - 4P		1	
16	0.00655	Motor casing+Stator kW 18.5-4P			1
17	0.00659	Shaft with rotor	1		
17	0.00660	Shaft with rotor		1	
17	0.00661	Shaft with rotor			1
18	1.00280	Ring	1	1	1
19	0.00643	Terminal strip plate	1	1	1
20	1.00130	Screw	6	6	6
21	1.00120	Screw	4	4	4
22	0.02639	Cable gland	1	1	1
23	1.01598	Cable	10	10	10
24	1.00337	Eyelet terminal	7	7	7
25	0.00778	Handle (Vertical execution only)	1	1	1
26	1.00590	Plug	1	1	1
27	1.00145	Screw (Vertical execution only)	2	2	2
28	1.00403	Nut	12	12	12
29	1.00465	Washer	12	12	12
30	1.00339	Terminal strip	1	1	1
31	1.00120	Screw	2	2	2
32	1.00462	Washer	2	2	2
33	1.00190	Screw	1	1	1
34	1.00460	Washer	1	1	1
35	1.02225	Terminal strip	1	1	1
36	0.02637	Vertical head cover	1	1	1
36	0.02636	Horizontal head cover			
37	1.00282	OR ring	1	1	1
38	1.00211	Bearing	1	1	1
39	1.00261	Snap ring	1	1	1
40					
41	1.00665	Oil	2,4	2,4	2,4
42	1.00313	OR ring	1	1	1



Spare Parts List
PTS-150 Submersible Pump Series

Vertical Version

PTS 11-150	PTS 15-150	PTS 18,5-150	
------------	------------	--------------	--

Bill of Materials No.

2.00989	2.00990	2.00991	
---------	---------	---------	--

Pos.	Code	Description	Necessary Q.ty of Spare Parts		
43	0.00640	Bearing support	1	1	1
44	1.00314	OR ring	1	1	1
45	1.00590	Plug	1	1	1
46	1.00130	Screw	6	6	6
47	1.00551	Key	1	1	1
48	0.04328	Pump casing	1	1	1
49	1.00551	Key	1	1	1
50	0.00776	Spiral conveyor	1	1	1
51	1.00509/510	Washer	X	X	X
52	1.00130	Screw	6	6	6
53	0.02411	Support	1	1	1
54	1.00389	Screw	6	6	6
55	1.01079	Screw	1	1	1
56					
57	0.02638	Gasket	1	1	1
58	1.01810	Sheath	1	1	1
59	1.01811	Seal	1	1	1
60					
61					
62					
63					
64					
65					
66	1.00135	Screw	2	2	2
67	1.01474	Cable ties	1	1	1
68	1.00326	Tipped terminal	2	2	2
69	1.00503	Washer (Vertical execution only)	2	2	2



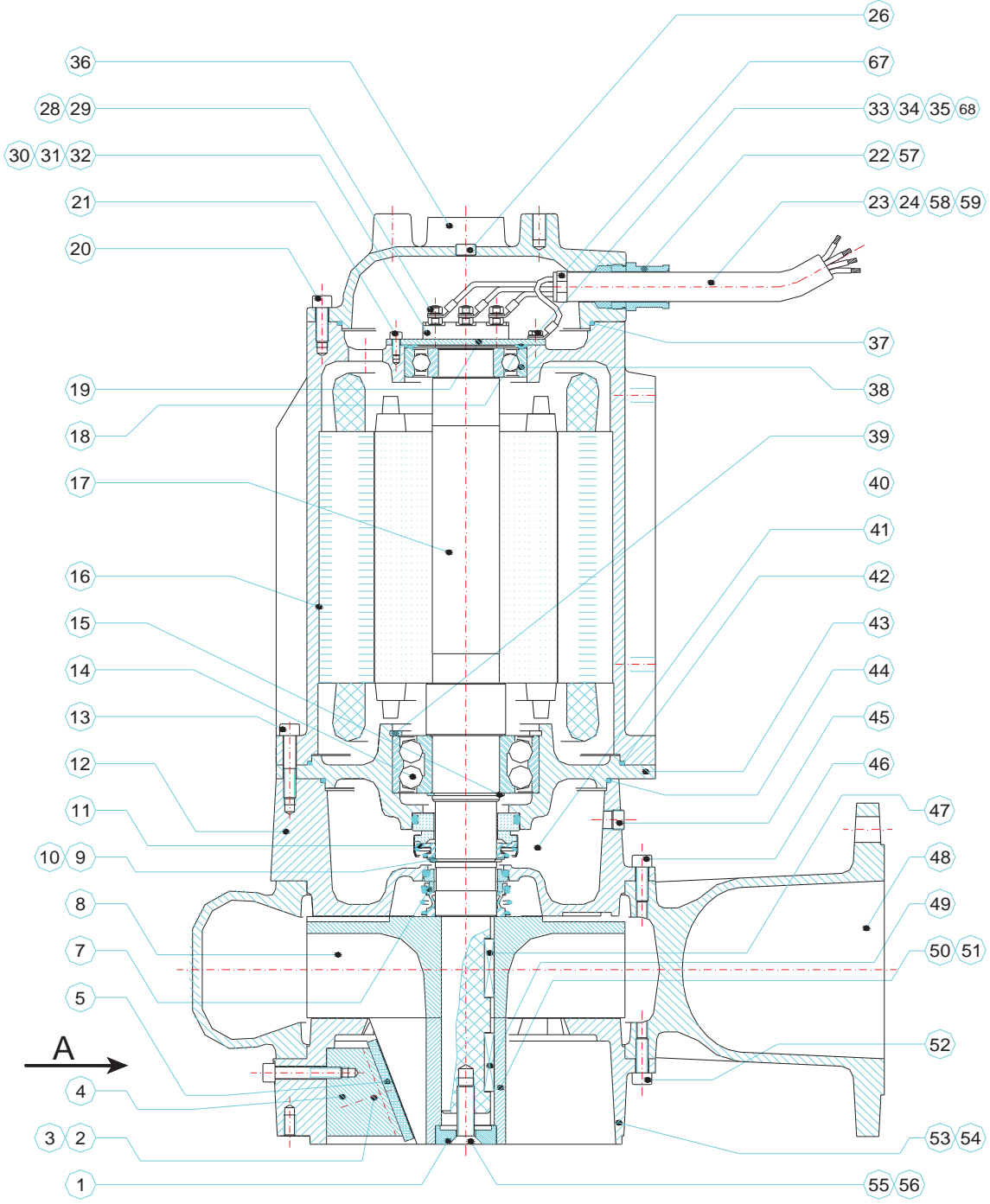
Spare Parts List
PTS-150 Submersible Pump Series

Horizontal Version

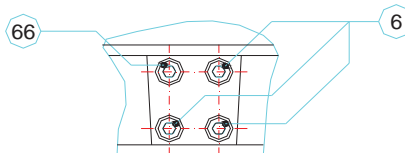
PTS 11-150	PTS 15-150	PTS 18,5-150	
------------	------------	--------------	--

Bill of Materials No.

2.00992	2.00993	2.00994	
---------	---------	---------	--



VISTA A





Spare Parts List
PTS-150 Submersible Pump Series

Horizontal Version

PTS 11-150	PTS 15-150	PTS 18,5-150
------------	------------	--------------

Bill of Materials No.

2.00992	2.00993	2.00994
---------	---------	---------

Pos.	Code	Description	Necessary Q.ty of Spare Parts		
1	0.00649	Washer	1	1	1
2	1.00154	Screw	6	6	6
3	1.00472	Washer	6	6	6
4	0.00629	Support Blade	2	2	2
5	0.00630	Blade	2	2	2
6	1.00134	Screw	6	6	6
7	1.00525	Mechanical seal	1	1	1
8	0.01034	Impeller	1		
8	0.01035	Impeller		1	
8	0.00718	Impeller			1
9	1.00252	Snap ring	1	1	1
10	1.00508	Washer	1	1	1
11	1.00526	Mechanical seal	1	1	1
12	0.00642	Motor support	1	1	1
13	1.00134	Screw	6	6	6
14	1.00210	Bearing	1	1	1
15	1.00260	Snap ring	1	1	1
16	0.00653	Motor casing+Stator kW 11 - 4P	1		
16	0.00654	Motor casing+Stator kW 15 - 4P		1	
16	0.00655	Motor casing+Stator kW 18.5-4P			1
17	0.00659	Shaft with rotor	1		
17	0.00660	Shaft with rotor		1	
17	0.00661	Shaft with rotor			1
18	1.00280	Ring	1	1	1
19	0.00643	Terminal strip plate	1	1	1
20	1.00130	Screw	6	6	6
21	1.00120	Screw	4	4	4
22	0.02639	Cable gland	1	1	1
23	1.01598	Cable	10	10	10
24	1.00337	Eyelet terminal	7	7	7
25	0.00778	Handle (Vertical execution only)			
26	1.00590	Plug	1	1	1
27	1.00145	Screw (Vertical execution only)			
28	1.00403	Nut	12	12	12
29	1.00465	Washer	12	12	12
30	1.00339	Terminal strip	1	1	1
31	1.00120	Screw	2	2	2
32	1.00462	Washer	2	2	2
33	1.00190	Screw	1	1	1
34	1.00460	Washer	1	1	1
35	1.02225	Terminal strip	1	1	1
36	0.02637	Vertical head cover			
36	0.02636	Horizontal head cover	1	1	1
37	1.00282	OR ring	1	1	1
38	1.00211	Bearing	1	1	1
39	1.00261	Snap ring	1	1	1
40					
41	1.00665	Oil	2,4	2,4	2,4
42	1.00313	OR ring	1	1	1



Spare Parts List
PTS-150 Submersible Pump Series

Horizontal Version

PTS 11-150	PTS 15-150	PTS 18,5-150	
------------	------------	--------------	--

Bill of Materials No.

2.00992	2.00993	2.00994	
---------	---------	---------	--

Pos.	Code	Description	Necessary Q.ty of Spare Parts		
43	0.00640	Bearing support	1	1	1
44	1.00314	OR ring	1	1	1
45	1.00590	Plug	1	1	1
46	1.00130	Screw	6	6	6
47	1.00551	Key	1	1	1
48	0.04328	Pump casing	1	1	1
49	1.00551	Key	1	1	1
50	0.00776	Spiral conveyor	1	1	1
51	1.00509/510	Washer	X	X	X
52	1.00130	Screw	6	6	6
53	0.02411	Support	1	1	1
54	1.00389	Screw	6	6	6
55	1.01079	Screw	1	1	1
56					
57	0.02638	Gasket	1	1	1
58	1.01810	Sheath	1	1	1
59	1.01811	Seal	1	1	1
60					
61					
62					
63					
64					
65					
66	1.00135	Screw	2	2	2
67	1.01474	Cable ties	1	1	1
68	1.00326	Tipped terminal	2	2	2
69	1.00503	Washer (Vertical execution only)			