



Spare Part List
PTS-80 Submersible Pump Series

Vertical Delivery

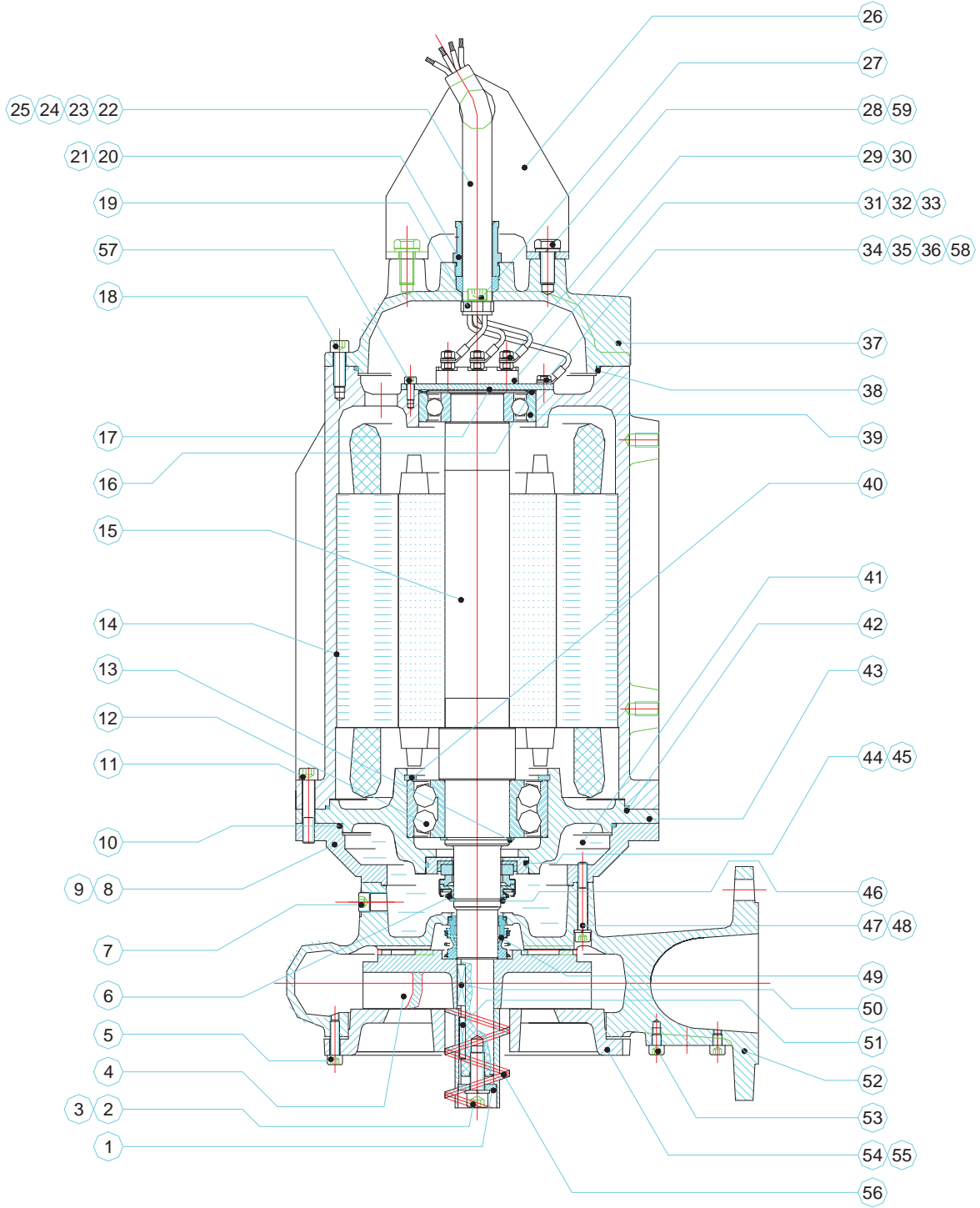
PTS 15-80

PTS 18,5-80

Bill of Materials No.

2.01579

2.01580





Spare Part List
PTS-80 Submersible Pump Series

Vertical Delivery

PTS 15-80

PTS 18,5-80

Bill of Materials No.

2.01579

2.01580

Pos.	Code	Description	Necessary Q.ty of Spare Parts		
			2.01579	2.01580	
1	0.00900	Washer	1	1	
2	1.00130	VTCEI Screw	6	6	
3	1.00495	Washer	6	6	
4	0.01539	Impeller		1	
4	0.01540	Impeller	1		
5	1.00117	VTCEI Screw	8	8	
6	1.00521	Mechanical Seal	1	1	
7	1.00590	Plug	1	1	
8	0.03129	Connection Flange	1	1	
9	0.03127	Gasket	1	1	
10	1.00314	OR Gasket	1	1	
11	1.00134	VTCEI Screw	1	1	
12	1.00210	Bearing	1	1	
13	1.00260	External Seeger Ring	1	1	
14	0.03214	Motor casing+Stator kW 15 - 2P	1		
14	0.03215	Motor casing+Stator kW 18.5-2P		1	
15	0.03131	Shaft with rotor. kW 18.5		1	
15	0.03132	Shaft with rotor kW 15	1		
16	1.00280	Ring	1	1	
17	0.00643	Terminal strip plate	1	1	
18	1.00130	VTCEI Screw	6	6	
19	1.00120	VTCEI Screw	4	4	
20	0.02639	Cable gland	1	1	
21	0.02638	Gasket	1	1	
22	1.01598	Electric Cable	10	10	
23	1.00337	Eyelet terminal	7	7	
24	1.01810	Sheath	1	1	
25	1.01811	Seal	1	1	
26	0.00778	Bracket	1	1	
27	1.00590	Plug	1	1	
28	1.00145	VTE Screw	2	2	
29	1.00401	Nut	12	12	
30	1.00463	Plain Washer	12	12	
31	1.00339	Terminal board	1	1	
32	1.00120	VTCEI Screw	2	2	
33	1.00462	Plain Washer	2	2	
34	1.00190	Screw	1	1	
35	1.00460	Plain Washer	1	1	
36	1.02225	Flying Terminal	1	1	
37	0.02637	Vertical Head Cover	1	1	
37	0.02636	Horizontal Head Cover			
38	1.00312	OR Ring	1	1	
39	1.00211	Bearing	1	1	
40	1.00261	Internal Seeger Ring	1	1	
41	1.00665	Oil	X	X	
42	1.00313	OR Ring	1	1	
43	0.00640	Bearing housing	1	1	
44	0.03128	Lip Seal	1	1	
45	1.01910	OR Ring	1	1	



Spare Part List			
PTS-80 Submersible Pump Series			
Vertical Delivery			
PTS 15-80	PTS 18,5-80		
Bill of Materials No.			
2.01579	2.01580		

Pos.	Code	Description	Necessary Q.ty of Spare Parts		
46	1.01838	VTCEI Screw	6	6	
47	1.00498	Rondella grower	6	6	
48	1.00251	External Seeger Ring	1	1	
49	1.00530	Mechanical Seal	1	1	
50	1.00551	Key	1	1	
51	1.00551	Key	1	1	
52	0.04330	Pump casing	1	1	
53	N.F.				
54	0.00892	Suction support	1	1	
55	1.00389	Screw	6	6	
56	0.01495	Archimedean screw	1	1	
57	1.01474	Cable ties	1	1	
58	1.00326	Tipped terminal	2	2	
59	1.00503	Grower Washer	2	2	



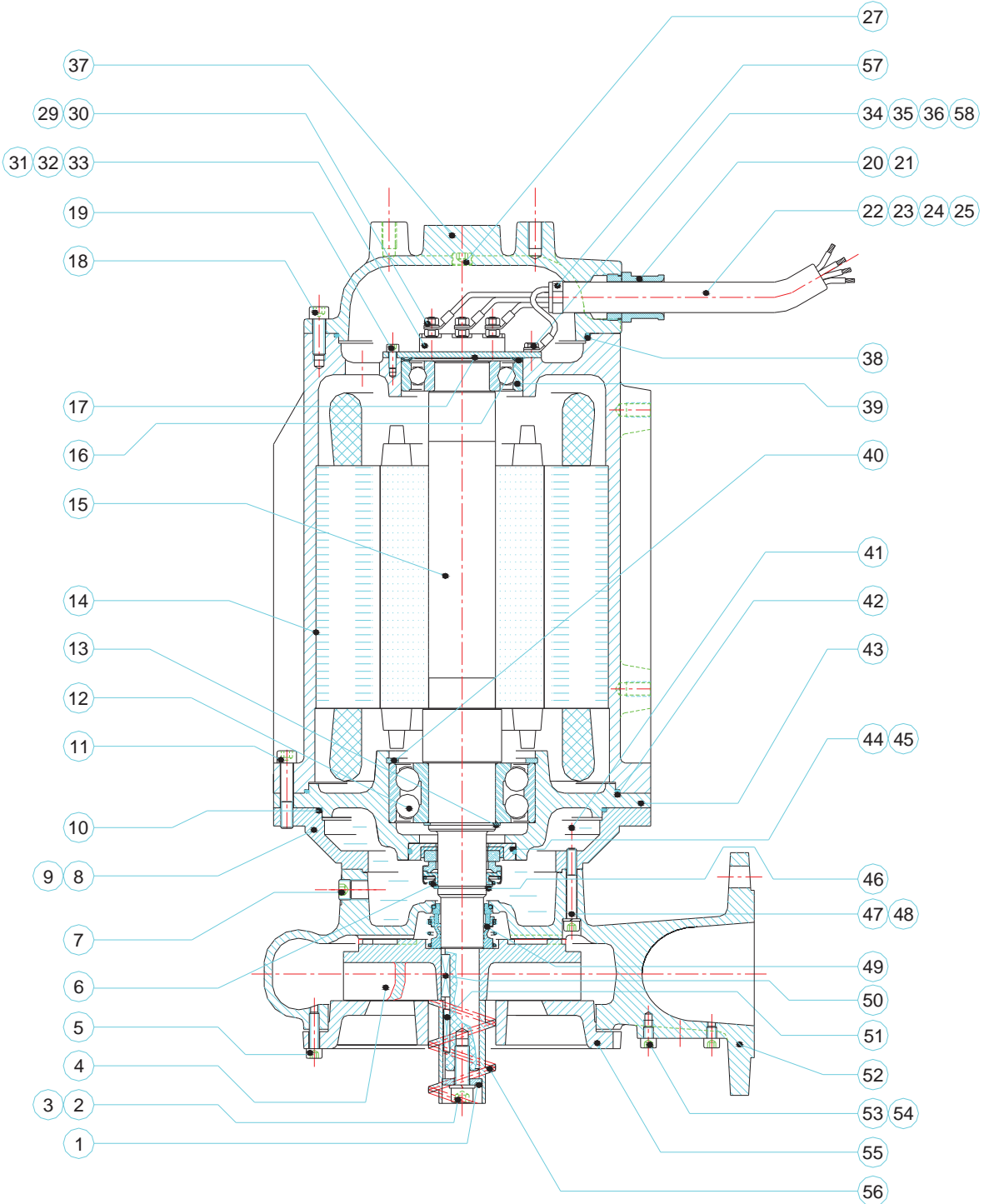
Spare Part List
PTS-80 Submersible Pump Series

Horizontal Delivery

PTS 15-80	PTS 18,5-80		
-----------	-------------	--	--

Bill of Materials No.

2.01581	2.01582		
---------	---------	--	--





Spare Part List
PTS-80 Submersible Pump Series

Horizontal Delivery

PTS 15-80 PTS 18,5-80

Bill of Materials No.

2.01581 2.01582

Pos.	Code	Description	Necessary Q.ty of Spare Parts		
1	0.00900	Washer	1	1	
2	1.00130	VTCEI Screw	6	6	
3	1.00495	Washer	6	6	
4	0.01539	Impeller		1	
4	0.01540	Impeller	1		
5	1.00117	VTCEI Screw	8	8	
6	1.00521	Mechanical Seal	1	1	
7	1.00590	Plug	1	1	
8	0.03129	Connection Flange	1	1	
9	0.03127	Gasket	1	1	
10	1.00314	OR Gasket	1	1	
11	1.00134	VTCEI Screw	1	1	
12	1.00210	Bearing	1	1	
13	1.00260	External Seeger Ring	1	1	
14	0.03214	Motor casing+Stator kW 15 - 2P	1		
14	0.03215	Motor casing+Stator kW 18.5-2P		1	
15	0.03131	Shaft with rotor. kW 18.5		1	
15	0.03132	Shaft with rotor kW 15	1		
16	1.00280	Ring	1	1	
17	0.00643	Terminal strip plate	1	1	
18	1.00130	VTCEI Screw	6	6	
19	1.00120	VTCEI Screw	4	4	
20	0.02639	Cable gland	1	1	
21	0.02638	Gasket	1	1	
22	1.01598	Electric Cable	10	10	
23	1.00337	Eyelet terminal	7	7	
24	1.01810	Sheath	1	1	
25	1.01811	Seal	1	1	
26	0.00778	Bracket			
27	1.00590	Plug	1	1	
28	1.00145	VTE Screw			
29	1.00401	Nut	12	12	
30	1.00463	Plain Washer	12	12	
31	1.00339	Terminal board	1	1	
32	1.00120	VTCEI Screw	2	2	
33	1.00462	Plain Washer	2	2	
34	1.00190	Screw	1	1	
35	1.00460	Plain Washer	1	1	
36	1.02225	Flying Terminal	1	1	
37	0.02637	Vertical Head Cover			
37	0.02636	Horizontal Head Cover	1	1	
38	1.00312	OR Ring	1	1	
39	1.00211	Bearing	1	1	
40	1.00261	Internal Seeger Ring	1	1	
41	1.00665	Oil	X	X	
42	1.00313	OR Ring	1	1	
43	0.00640	Bearing housing	1	1	
44	0.03128	Lip Seal	1	1	
45	1.01910	OR Ring	1	1	



Spare Part List			
PTS-80 Submersible Pump Series			
Horizontal Delivery			
PTS 15-80	PTS 18,5-80		
Bill of Materials No.			
2.01581	2.01582		

Pos.	Code	Description	Necessary Q.ty of Spare Parts		
46	1.01838	VTCEI Screw	6	6	
47	1.00498	Rondella grower	6	6	
48	1.00251	External Seeger Ring	1	1	
49	1.00530	Mechanical Seal	1	1	
50	1.00551	Key	1	1	
51	1.00551	Key	1	1	
52	0.04330	Pump casing	1	1	
53	N.F.				
54	0.00892	Suction support	1	1	
55	1.00389	Screw	6	6	
56	0.01495	Archimedean screw	1	1	
57	1.01474	Cable ties	1	1	
58	1.00326	Tipped terminal	2	2	
59	1.00503	Grower Washer			