



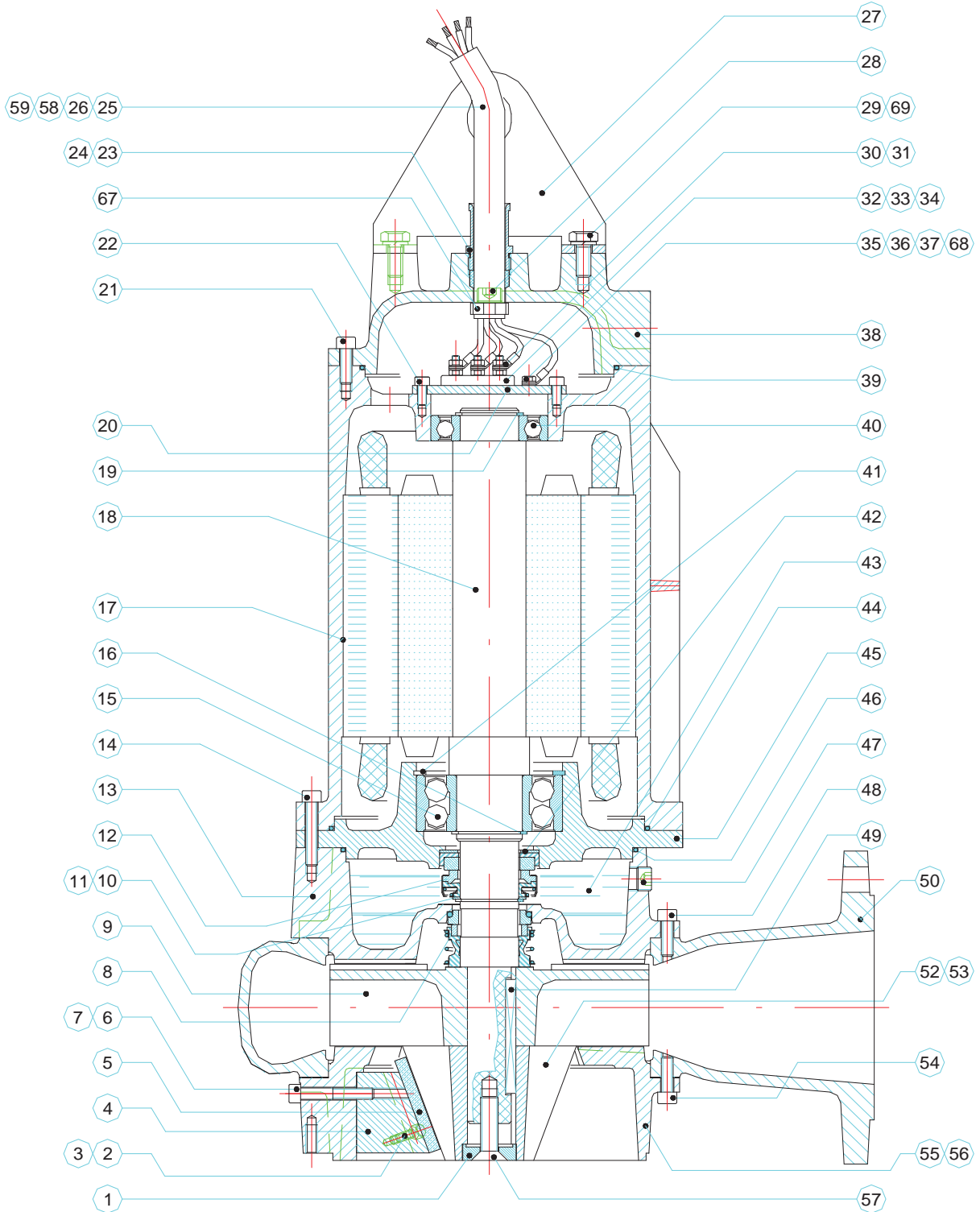
Spare Parts List
PTS-100 Submersible Pump Series

Bill of Materials No.

PTS5,5-100	PTS7,5-100	PTS9-100	
------------	------------	----------	--

Bill of Materials No.

2.01158	2.01159	2.01160	
---------	---------	---------	--





Spare Parts List
PTS-100 Submersible Pump Series

Vertical Version

PTS5,5-100 PTS7,5-100 PTS9-100

Bill of Materials No.

2.01158 2.01159 2.01160

Pos.	Code	Description	Necessary Q.ty of Spare Parts		
1	0.00371	Washer	1	1	1
2	1.00164	Screw	4	4	4
3	1.00464	Washer	4	4	4
4	0.00244	Support Blade	2	2	2
5	0.00243	Blade	2	2	2
6	1.00111	Screw	6	6	6
7	1.00112	Screw	2	2	2
8	1.00520	Mechanical seal	1	1	1
9	0.02487	Impeller	1		
9	0.02490	Impeller		1	
9	0.02550	Impeller			1
10	1.00251	Snap ring	1	1	1
11	1.00507	Washer	1	1	1
12	1.00521	Mechanical seal	1	1	1
13	0.00289	Motor support	1	1	1
14	1.00112	Screw	6	6	6
15	1.00204	Bearing	1	1	1
16	1.00254	Snap ring	1	1	1
17	0.00573	Motor casing+Stator kW 5.5 - 4P	1		
17	0.00572	Motor casing+Stator kW 7.5 - 4P		1	
17	0.00571	Motor casing+Stator kW 9 - 4P			1
18	0.00528	Shaft with rotor	1		
18	0.00321	Shaft with rotor		1	
18	0.00625	Shaft with rotor			1
19	1.00251	Snap ring	1	1	1
20	0.00324	Terminal strip plate	1	1	1
21	1.00110	Screw	6	6	6
22	1.00120	Screw	4	4	4
23	0.01262	Cable gland	1	1	1
24	0.01271	Gasket	1	1	1
25	1.00329	Cable	10	10	10
26	1.00327	Eyelet terminal	7	7	7
27	0.00325	Handle	1	1	1
28	1.00590	Plug	1	1	1
29	1.00154	Screw	2	2	2
30	1.00401	Nut	12	12	12
31	1.00463	Washer	12	12	12
32	1.00325	Terminal strip	1	1	1
33	1.00120	Screw	2	2	2
34	1.00462	Washer	2	2	2
35	1.00190	Screw	1	1	1
36	1.00460	Washer	1	1	1
37	1.02225	Terminal strip	1	1	1
38	0.00319	Vertical head cover	1	1	1
38	0.00320	Horizontal head cover			
39	1.00304	OR ring	1	1	1
40	1.00203	Bearing	1	1	1
41	1.00255	Snap ring	1	1	1
42	0.00524	Washer	1	1	1



Spare Parts List
PTS-100 Submersible Pump Series

Vertical Version

PTS5,5-100	PTS7,5-100	PTS9-100	
------------	------------	----------	--

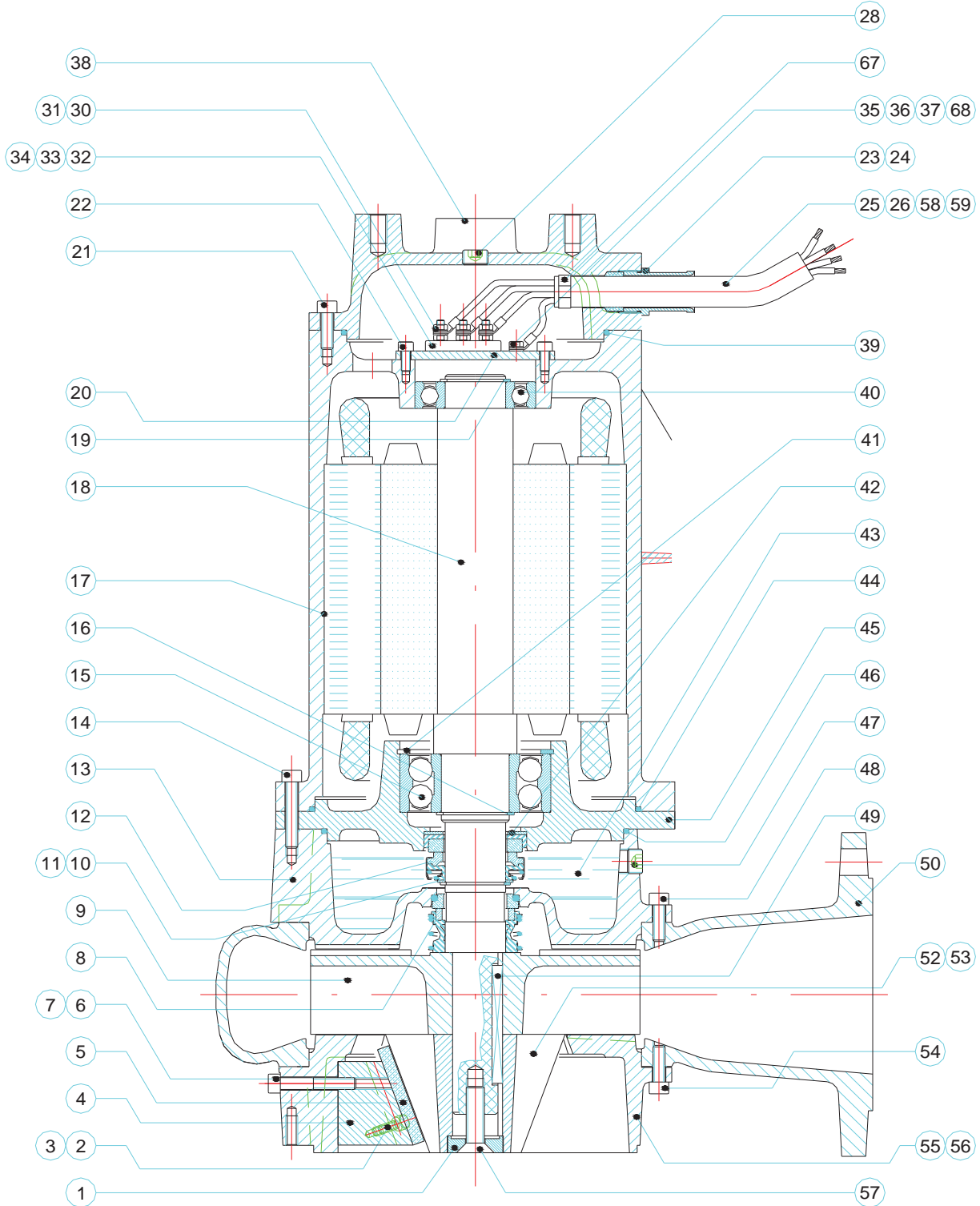
Bill of Materials No.

2.01158	2.01159	2.01160
---------	---------	---------

Pos.	Code	Description	Necessary Q.ty of Spare Parts		
43	1.00665	Oil	1,4	1,4	1,4
44	1.00300	OR ring	1	1	1
45	0.00295	Bearing support	1	1	1
46	1.00305	OR ring	1	1	1
47	1.00590	Plug	1	1	1
48	1.00110	Screw	6	6	6
49	1.00554	Key	1	1	1
50	0.04327	Pump casing	1	1	1
51					
52	0.02551	Spiral conveyor	1	1	1
53	1.00505/6	Washer	X	X	X
54	1.00110	Screw	6	6	6
55	0.02410	Support	1	1	1
56	1.00389	Screw	6	6	6
57	1.00906	Screw	1	1	1
58	1.01810	Sheath	1	1	1
59	1.01811	Seal	1	1	1
67	1.01473	Cable ties	1	1	1
68	1.00326	Tipped terminal	2	2	2
69	1.00495	Washer	2	2	2



Spare Parts List			
PTS-100 Submersible Pump Series			
Horizontal Version			
PTS5,5-100	PTS7,5-100	PTS9-100	
Bill of Materials No.			
2.01161	2.01162	2.01163	





Spare Parts List
PTS-100 Submersible Pump Series


Horizontal Version

PTS5,5-100 PTS7,5-100 PTS9-100

Bill of Materials No.

2.01161 2.01162 2.01163

Pos.	Code	Description	Necessary Q.ty of Spare Parts		
1	0.00371	Washer	1	1	1
2	1.00164	Screw	4	4	4
3	1.00464	Washer	4	4	4
4	0.00244	Support Blade	2	2	2
5	0.00243	Blade	2	2	2
6	1.00111	Screw	6	6	6
7	1.00112	Screw	2	2	2
8	1.00520	Mechanical seal	1	1	1
9	0.02487	Impeller	1		
9	0.02490	Impeller		1	
9	0.02550	Impeller			1
10	1.00251	Snap ring	1	1	1
11	1.00507	Washer	1	1	1
12	1.00521	Mechanical seal	1	1	1
13	0.00289	Motor support	1	1	1
14	1.00112	Screw	6	6	6
15	1.00204	Bearing	1	1	1
16	1.00254	Snap ring	1	1	1
17	0.00573	Motor casing+Stator kW 5.5 - 4P	1		
17	0.00572	Motor casing+Stator kW 7.5 - 4P		1	
17	0.00571	Motor casing+Stator kW 9 - 4P			1
18	0.00528	Shaft with rotor	1		
18	0.00321	Shaft with rotor		1	
18	0.00625	Shaft with rotor			1
19	1.00251	Snap ring	1	1	1
20	0.00324	Terminal strip plate	1	1	1
21	1.00110	Screw	6	6	6
22	1.00120	Screw	4	4	4
23	0.01262	Cable gland	1	1	1
24	0.01271	Gasket	1	1	1
25	1.00329	Cable	10	10	10
26	1.00327	Eyelet terminal	7	7	7
27	0.00325	Handle			
28	1.00590	Plug	1	1	1
29	1.00154	Screw			
30	1.00401	Nut	12	12	12
31	1.00463	Washer	12	12	12
32	1.00325	Terminal strip	1	1	1
33	1.00120	Screw	2	2	2
34	1.00462	Washer	2	2	2
35	1.00190	Screw	1	1	1
36	1.00460	Washer	1	1	1
37	1.02225	Terminal strip	1	1	1
38	0.00319	Vertical head cover			
38	0.00320	Horizontal head cover	1	1	1
39	1.00304	OR ring	1	1	1
40	1.00203	Bearing	1	1	1
41	1.00255	Snap ring	1	1	1
42	0.00524	Washer	1	1	1

			Spare Parts List			
			PTS-100 Submersible Pump Series			
			Horizontal Version			
			PTS5,5-100	PTS7,5-100	PTS9-100	
			Bill of Materials No.			
			2.01161	2.01162	2.01163	
Pos.	Code	Description	Necessary Q.ty of Spare Parts			
43	1.00665	Oil	1,4	1,4	1,4	
44	1.00300	OR ring	1	1	1	
45	0.00295	Bearing support	1	1	1	
46	1.00305	OR ring	1	1	1	
47	1.00590	Plug	1	1	1	
48	1.00110	Screw	6	6	6	
49	1.00554	Key	1	1	1	
50	0.04327	Pump casing	1	1	1	
51						
52	0.02551	Spiral conveyor	1	1	1	
53	1.00505/6	Washer	X	X	X	
54	1.00110	Screw	6	6	6	
55	0.02410	Support	1	1	1	
56	1.00389	Screw	6	6	6	
57	1.00906	Screw	1	1	1	
58	1.01810	Sheath	1	1	1	
59	1.01811	Seal	1	1	1	
67	1.01473	Cable ties	1	1	1	
68	1.00326	Tipped terminal	2	2	2	
69	1.00495	Washer				