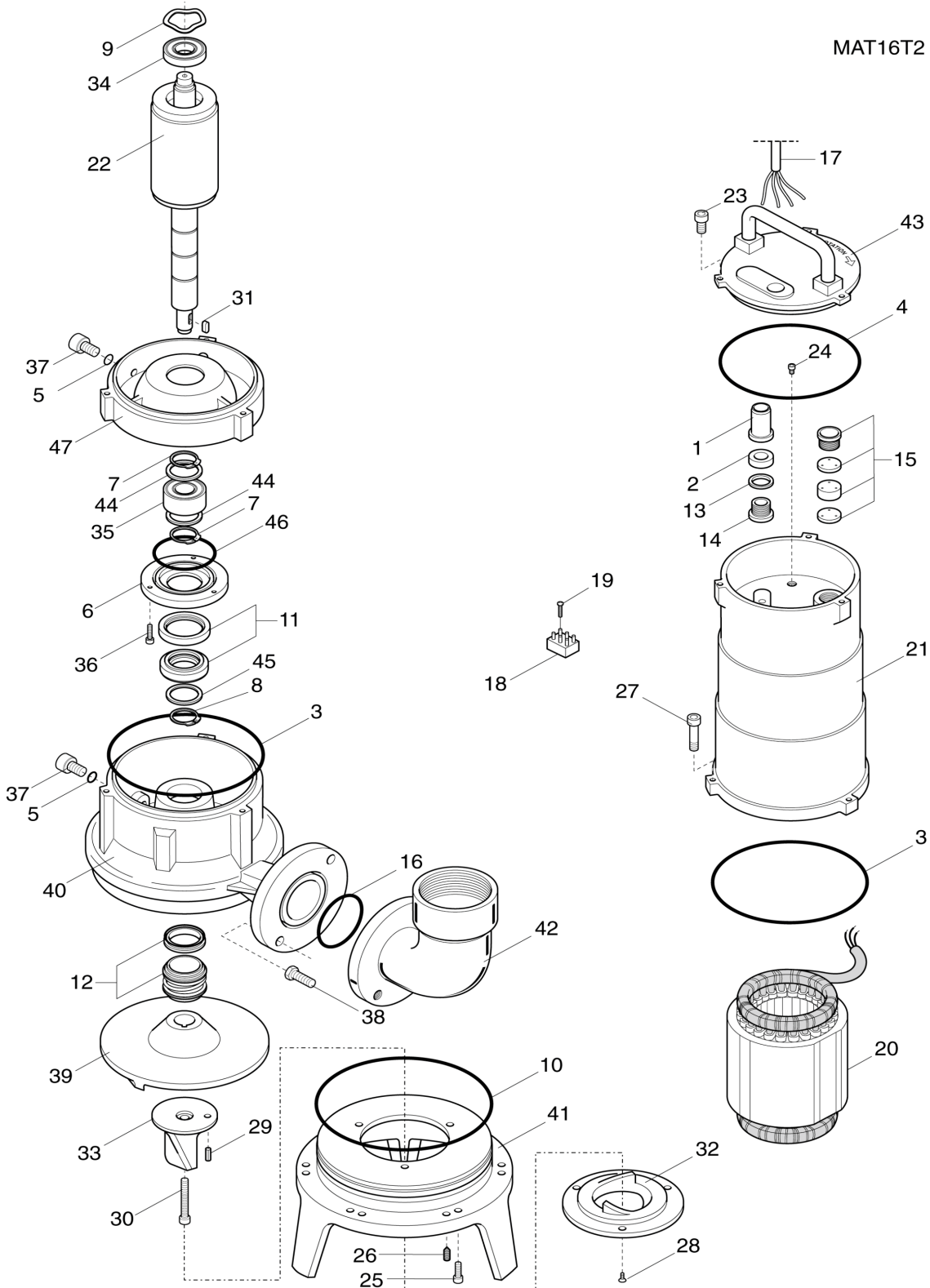


880565 - MAT16T2 400V-Y EFFLUENT SUBMERSIBLE PUMP



COMPONENTS LIST

Pos.	Code	Serial N°	Description	Qty
1	890596	10312	SHEATH	1 PZ
2	891650	102324	GASKET	1 PZ
3	890469	10332	OR SEAL	2 PZ
4	890259	10338	OR SEAL	1 PZ
5	890491	10345	OR SEAL	2 PZ
6	891552	215110	BEARING COVER	1 PZ
7	890354	30220	CIRCLIP	2 PZ
8	890354	30220	CIRCLIP	1 PZ
9	890589	10240	SAGGING RING	1 PZ
10	890480	40335	OR SEAL	1 PZ
11	890532	11350	MECHANICAL SEAL	1 PZ
12	891559	304350	MECHANICAL SEAL	1 PZ
13	891556	102356	WASHER	1 PZ
14	890450	10365	THREADED LOCKING RING	1 PZ
15	891554	10370/T	CABLE GLAND	1 PZ
16	890492	102360	OR SEAL	1 PZ
17	890330	10410	FEEDING ROUND CABLE	1 PZ
20	891504	202450	STATOR	1 PZ
21	890364	102660	MOTOR CASING	1 PZ
22	891702	215510/T	SHAFT WITH ROTOR	1 PZ
23	890549	10525	SCREW	3 PZ
24	891567	102545	SCREW	1 PZ
25	891578	215550	SCREW	6 PZ
26	891574	165562	SCREW	6 PZ
27	890674	20550	SCREW	3 PZ
28	891575	165564	SCREW	3 PZ
29	891564	165566	ELASTC INOX PLUG (HE)	1 PZ
30	891576	165535	SCREW	1 PZ
31	891561	304570	FEATHER KEY	1 PZ
32	891545	165585	FIXED CUTTING	1 PZ
33	891546	165590	ROTATING CUTTER	1 PZ
34	890398	10570	BEARING	1 PZ
35	891563	215575	BEARING	1 PZ
36	891579	215592	SCREW	3 PZ
37	890584	10595	SCREW	2 PZ
38	890586	102560	SCREW	2 PZ
39	891540	215610	IMPELLER	1 PZ
40	891543	215620	DIFFUSER	1 PZ
41	891580	215630	DUCK-FOOT PEDESTAL	1 PZ
42	890635	102640	DISHARGE ELBOW	1 PZ
43	890304	102650	COVER	1 PZ
44	891535	215530	SPACER SLEEVE	2 PZ
45	891536	215535	SPACER SLEEVE	1 PZ
46	891566	215346	OR SEAL	1 PZ
47	891533	215670	LOWER SUPPORT	1 PZ