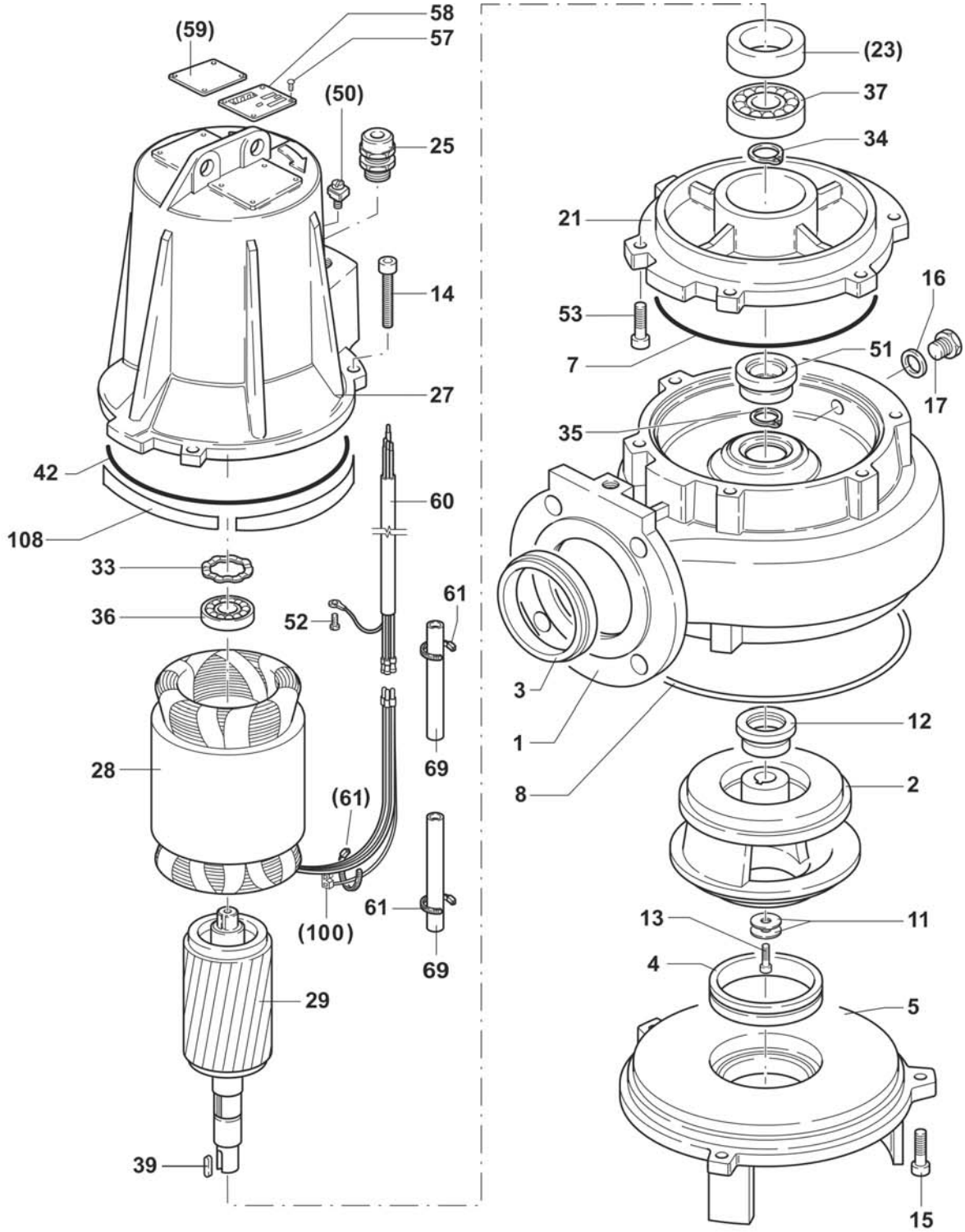


## 862289 - KCM065FA+002221N2 EFFLUENT SUBMERSIBLE PUMP



( ) PARTICOLARI PER VERSIONE ANTIDIFLAGRANTE

( ) COMPONENTS FOR VERSION FLAMEPROOF

COMPONENTES PUR VERSION ANTIDIFLAGRANTE

REJECUCION COMPONENTES ANTIDIFLAGRANTE



## COMPONENTS LIST

Pos.	Code	Serial N°	Description	Qty
	660410	KM065F2A	EFFLUENT WET END	1 PZ
1	500024	KVEF-1	DELIVERY CASING	1 PZ
2	470105	KMEFNA-5	IMPELLER D.137/132	1 PZ
3	330622	KME-146	GASKET FOR FLANGE	1 PZ
4	440520	P6CV-165	WEAR RING	1 PZ
5	500195	KMEF-3	SUCTION COVER	1 PZ
7	330479	OR02048	OR SEAL 164,69X3,53 OR4650 (AP)	1 PZ
8	330455	OR0981	OR SEAL 209,1X3,53 OR4825 (AP)	1 PZ
11	310285	RLS02050	WASHER 6,6X24X2 UNI6593-A2	2 PZ
12	330198	TFR02046	MECHANICAL SEAL BT-AR20-Q1VPFF (L4=8)	1 PZ
13	300207	VTT02582	SCREW M6X20 ISO 7380 A4-70	1 PZ
14	300065	VTT01877	SCREW M8X40 UNI5931-A2	3 PZ
15	300159	VTT01469	SCREW M8X20 UNI5931-A2	3 PZ
16	310270	RLS01907	WASHER 14X18X1,5	2 PZ
17	310694	TF01908	PLUG 1/4"GAS	1 PZ
35	310526	AE01724	CIRCLIP 20 UNI 7435 FOR SHAFT	1 PZ
51	330311	TFR02565	MECHANICAL SEAL TF 18-20 BV1PFF	1 PZ
510	572465	KC002221F090C2	ELECTRIC SUBMERSIBLE MOTOR	1 PZ

