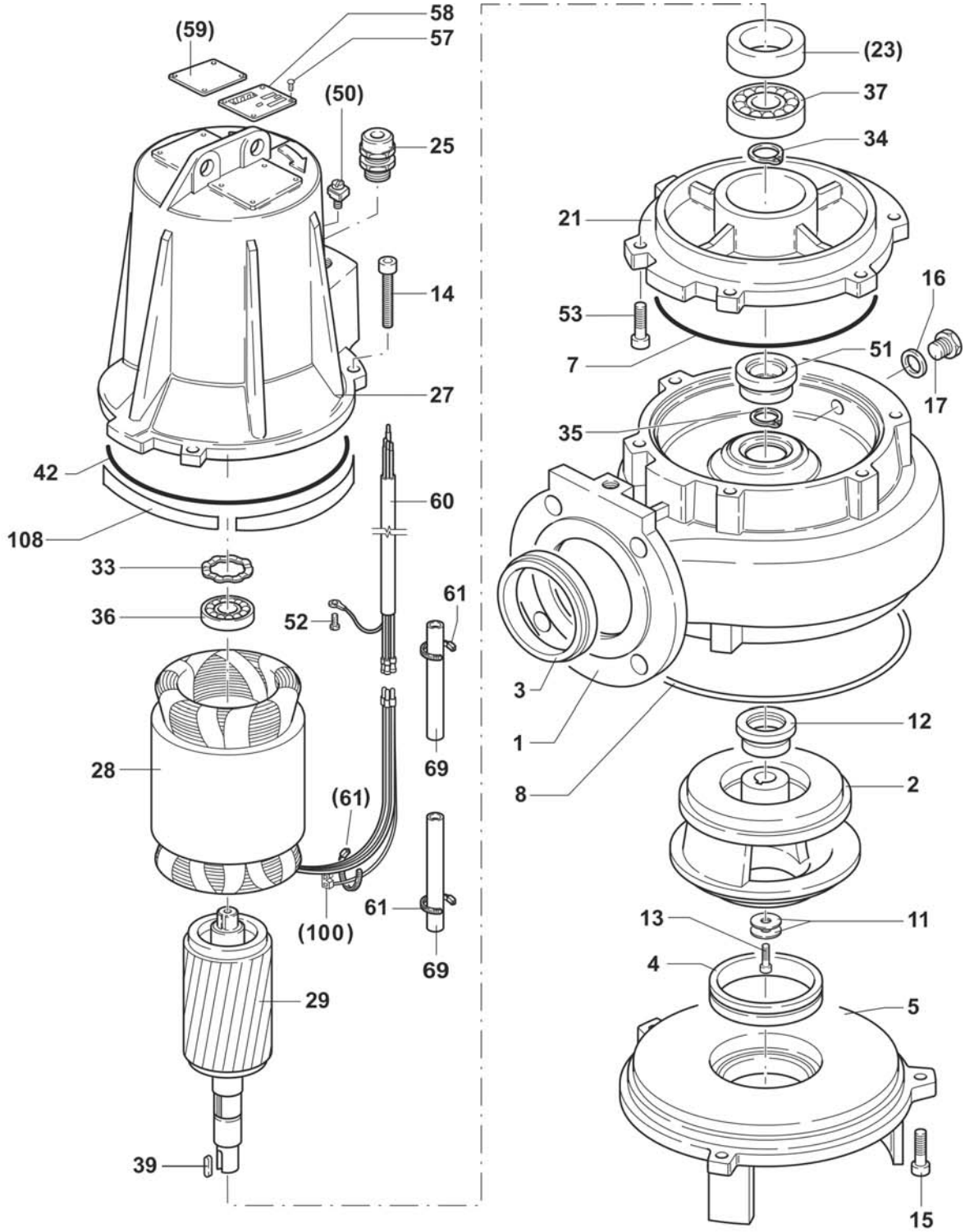


861662 - KCM065FD+001821N1 EFFLUENT SUBMERSIBLE PUMP



() PARTICOLARI PER VERSIONE ANTIDEFLAGRANTE

() COMPONENTS FOR VERSION FLAMEPROOF

COMPONENTES PUR VERSION ANTIDEFLAGRANTE

REJECUCION COMPONENTES ANTIDEFLAGRANTE



COMPONENTS LIST

Pos.	Code	Serial N°	Description	Qty
	1000825			1 PZ
1	500024	KVEF-1	DELIVERY CASING	1 PZ
2	470106	KMEFND-5	IMPELLER D.131/129	1 PZ
3	330622	KME-146	GASKET FOR FLANGE	1 PZ
4	440520	P6CV-165	WEAR RING	1 PZ
5	500195	KMEF-3	SUCTION COVER	1 PZ
7	330479	OR02048	OR SEAL 164,69X3,53 OR4650 (AP)	1 PZ
8	330455	OR0981	OR SEAL 209,1X3,53 OR4825 (AP)	1 PZ
11	310285	RLS02050	WASHER 6,6X24X2 UNI6593-A2	2 PZ
12	330198	TFR02046	MECHANICAL SEAL BT-AR20-Q1VPFF (L4=8)	1 PZ
13	300207	VTT02582	SCREW M6X20 ISO 7380 A4-70	1 PZ
14	300065	VTT01877	SCREW M8X40 UNI5931-A2	3 PZ
15	300159	VTT01469	SCREW M8X20 UNI5931-A2	3 PZ
16	310270	RLS01907	WASHER 14X18X1,5	2 PZ
17	310694	TF01908	PLUG 1/4"GAS	1 PZ
	1000801			1 PZ
21	400533	KC01841F/EX-4	BEARING HOUSING	1 PZ
25	440848	KC02221F/E-183	CABLE GLAND	1 PZ
27	470832	K4F/135/1-260	MOTOR CASING	1 PZ
28	470659	K001821/135/1-262	STATOR	1 PZ
29	470713	K00182F/135/1-265	SHAFT WITH ROTOR	1 PZ
33	310520	AE02058	CIRCLIP LMKAS 42D	1 PZ
34	310529	AE0365	CIRCLIP 25 UNI 7435 FOR SHAFT	1 PZ
35	310526	AE01724	CIRCLIP 20 UNI 7435 FOR SHAFT	1 PZ
36	350013	CSN02051	BEARING 6004-ZJ/C3(METAL CAGE)	1 PZ
37	350011	CSN01928	BEARING 6305-ZJ/C3(METAL CAGE)	1 PZ
39	310417	LCH01021	FEATHER KEY A5X5X20 UNI6604-C50	1 PZ
42	330479	OR02048	OR SEAL 164,69X3,53 OR4650 (AP)	1 PZ
51	330197	TFR02045	MECHANICAL SEAL BT-AR20-BXPFF (L4=8)	1 PZ
52	300211	VTT01919	SCREW M6X10 UNI 7687-4.8	1 PZ
53	300159	VTT01469	SCREW M8X20 UNI5931-A2	3 PZ
60	470803	CTA4X1,5-255	COMPLETE FEEDING ROUND CABLE	1 PZ
61	310504	FS01985	CLAMP 203X3,4 CL.F(PLT2I/M76 PANDUIT)	2 PZ
69	350521	301S2208	INSULATING SHEATH VES25 20X120 (COVEME)	2 PZ
102	300878	RE0425	SPRING WASHER A 6 UNI1751-C70	1 PZ
108	410453	K135F-10	SPACER SLEEVE	1 PZ

