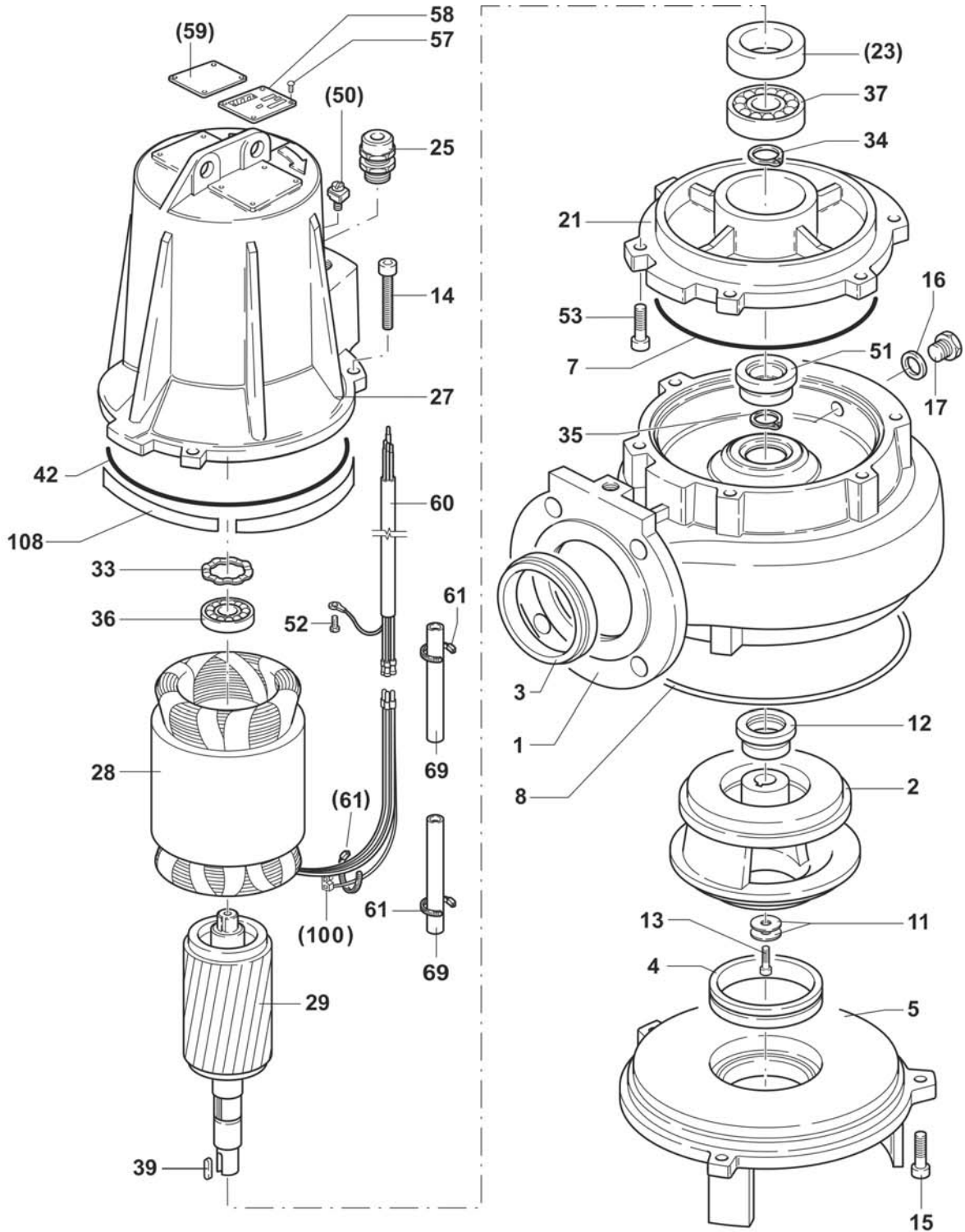


861661 - KCM065FG+001521N1 EFFLUENT SUBMERSIBLE PUMP



() PARTICOLARI PER VERSIONE ANTIDEFLAGRANTE

() COMPONENTS FOR VERSION FLAMEPROOF

COMPONENTES PUR VERSION ANTIDEFLAGRANTE

REJECUCION COMPONENTES ANTIDEFLAGRANTE



COMPONENTS LIST

| Pos. | Code | Serial N° | Description | Qty |
|------|---------|-------------------|---|------|
| | 1000825 | | | 1 PZ |
| 1 | 500024 | KVEF-1 | DELIVERY CASING | 1 PZ |
| 2 | 470107 | KMEFNG-5 | IMPELLER D.126/120 | 1 PZ |
| 3 | 330622 | KME-146 | GASKET FOR FLANGE | 1 PZ |
| 4 | 440520 | P6CV-165 | WEAR RING | 1 PZ |
| 5 | 500195 | KMEF-3 | SUCTION COVER | 1 PZ |
| 7 | 330479 | OR02048 | OR SEAL 164,69X3,53 OR4650 (AP) | 1 PZ |
| 8 | 330455 | OR0981 | OR SEAL 209,1X3,53 OR4825 (AP) | 1 PZ |
| 11 | 310285 | RLS02050 | WASHER 6,6X24X2 UNI6593-A2 | 2 PZ |
| 12 | 330198 | TFR02046 | MECHANICAL SEAL BT-AR20-Q1VPFF (L4=8) | 1 PZ |
| 13 | 300207 | VTT02582 | SCREW M6X20 ISO 7380 A4-70 | 1 PZ |
| 14 | 300065 | VTT01877 | SCREW M8X40 UNI5931-A2 | 3 PZ |
| 15 | 300159 | VTT01469 | SCREW M8X20 UNI5931-A2 | 3 PZ |
| 16 | 310270 | RLS01907 | WASHER 14X18X1,5 | 2 PZ |
| 17 | 310694 | TF01908 | PLUG 1/4"GAS | 1 PZ |
| | 1000801 | | | 1 PZ |
| 21 | 400533 | KC01841F/EX-4 | BEARING HOUSING | 1 PZ |
| 25 | 440848 | KC02221F/E-183 | CABLE GLAND | 1 PZ |
| 27 | 470832 | K4F/135/1-260 | MOTOR CASING | 1 PZ |
| 28 | 470658 | K001521/135/1-262 | STATOR | 1 PZ |
| 29 | 470712 | K00152F/135/1-265 | SHAFT WITH ROTOR | 1 PZ |
| 33 | 310520 | AE02058 | CIRCLIP LMKAS 42D | 1 PZ |
| 34 | 310529 | AE0365 | CIRCLIP 25 UNI 7435 FOR SHAFT | 1 PZ |
| 35 | 310526 | AE01724 | CIRCLIP 20 UNI 7435 FOR SHAFT | 1 PZ |
| 36 | 350013 | CSN02051 | BEARING 6004-ZJ/C3(METAL CAGE) | 1 PZ |
| 37 | 350011 | CSN01928 | BEARING 6305-ZJ/C3(METAL CAGE) | 1 PZ |
| 39 | 310417 | LCH01021 | FEATHER KEY A5X5X20 UNI6604-C50 | 1 PZ |
| 42 | 330479 | OR02048 | OR SEAL 164,69X3,53 OR4650 (AP) | 1 PZ |
| 51 | 330197 | TFR02045 | MECHANICAL SEAL BT-AR20-BXPFF (L4=8) | 1 PZ |
| 52 | 300211 | VTT01919 | SCREW M6X10 UNI 7687-4.8 | 1 PZ |
| 53 | 300159 | VTT01469 | SCREW M8X20 UNI5931-A2 | 3 PZ |
| 60 | 470803 | CTA4X1,5-255 | COMPLETE FEEDING ROUND CABLE | 1 PZ |
| 61 | 310504 | FS01985 | CLAMP 203X3,4 CL.F(PLT2I/M76 PANDUIT) | 2 PZ |
| 69 | 350521 | 301S2208 | INSULATING SHEATH VES25 20X120 (COVEME) | 2 PZ |
| 102 | 300878 | RE0425 | SPRING WASHER A 6 UNI1751-C70 | 1 PZ |
| 108 | 410453 | K135F-10 | SPACER SLEEVE | 1 PZ |

