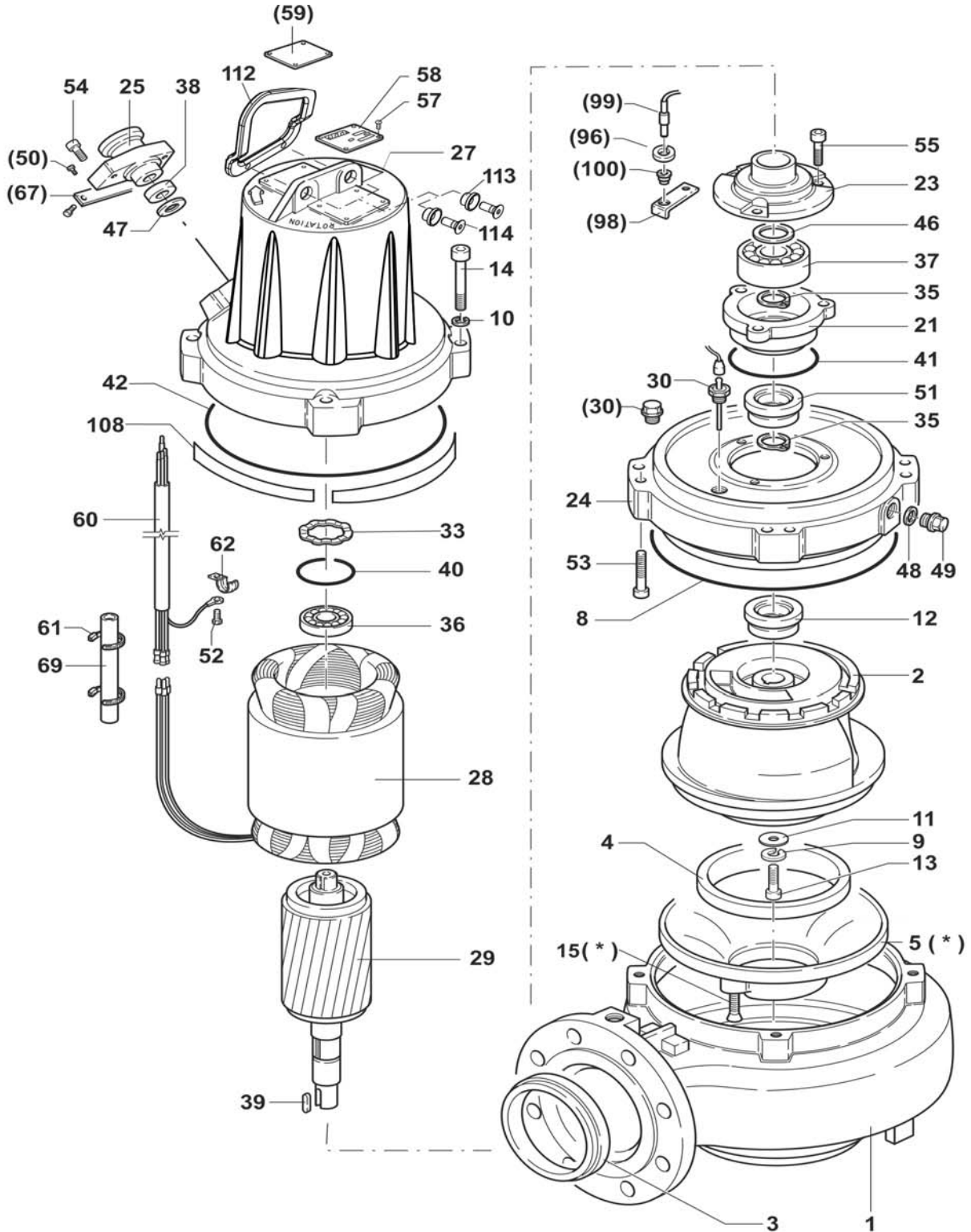


## 861614 - KCM100HL+002241N1 EFFLUENT SUBMURGIBLE PUMP



( ) PARTICOLARI PER VERSIONE ANTIDEFLAGRANTE

( ) COMPONENTS FOR VERSION FLAMEPROOF

( ) COMPONENTES PUR VERSION ANTIDEFLAGRANTE

( ) POR EJECUCION COMPONENTES ANTIDEFLAGRANTE

(\*) PARTICOLARI PER VERSIONE 60 Hz...150L...

(\*) COMPONENTS FOR 60 Hz...150L...

(\*) COMPONENTES PUR VERSION 60 Hz...150L...

(\*) POR EJECUCION 60 Hz COMPONENTES...150L...

TAV 344C



## COMPONENTS LIST

Pos.	Code	Serial N°	Description	Qty
	1000822			1 PZ
1	500282	KM100H-1	DELIVERY CASING	1 PZ
2	470113	KMGHNL-5	IMPELLER D.203	1 PZ
3	330616	KMG-146	GASKET FOR FLANGE	1 PZ
4	440500	KMGH-165	WEAR RING	1 PZ
8	330380	OR01914	OR SEAL 228,19X3,53 OR4900 (AP)	1 PZ
9	300890	RE01762	SPRING WASHER A 8 UNI1751-A2	1 PZ
10	300892	RE01913	SPRING WASHER A 10 UNI1751-A2	4 PZ
11	310272	RLS01924	WASHER 8,5X30X5	1 PZ
12	330199	TFR02123	MECHANICAL SEALMECHANICAL SEAL	1 PZ
13	300221	VTT01921	SCREW M8X25 UNI 5931 A4-80	1 PZ
14	300245	VTT02121	SCREW M10X90 UNI5931-A2	4 PZ
	1000750			1 PZ
21	400534	KC040/EX-4	BEARING HOUSING	1 PZ
23	410684	KC040/EX-9	BEARING COVER	1 PZ
24	420027	KC01841H/EX-22	OIL CHAMBER	1 PZ
25	440854	KC0404/EX-183	CABLE GLAND	1 PZ
27	470833	K4H/135/1-260	MOTOR CASING	1 PZ
28	470654	K002241/135/1-262	STATOR	1 PZ
29	470739	K00224H/135/1-265	SHAFT WITH ROTOR	1 PZ
30	470922	KC018/E-270	PROBE	1 PZ
33	310519	AE02409	CIRCLIP ART.012 52G	1 PZ
35	310556	AE0368	CIRCLIP 30 UNI 7435 FOR SHAFT	2 PZ
36	350010	CSN01911	BEARING 6304-ZJ/C3(METAL CAGE)	1 PZ
37	350112	CSN01134	BEARING 3306/C3	1 PZ
38	330709	GN02055	GASKET 17,4X40X26	1 PZ
39	310427	LCH0732	FEATHER KEY A6X6X30 (TOL.UNI6604)-C50	1 PZ
40	330382	OR01916	OR SEAL 52,39X3,53 OR156 (AP)	1 PZ
41	330391	OR02061	OR SEAL 75,87X2,62 OR3300 (AP)	1 PZ
42	330380	OR01914	OR SEAL 228,19X3,53 OR4900 (AP)	1 PZ
46	310271	RLS01909	WASHER 30X42X2,5 SEEGER TYPE SS	1 PZ
47	310286	RLS02059	WASHER 18,4X38X3	1 PZ
48	310270	RLS01907	WASHER 14X18X1,5	4 PZ
49	310694	TF01908	PLUG 1/4"GAS	2 PZ
51	330190	TFR01917	MECHANICAL SEAL BT-AR30-BXPFF	1 PZ
52	300211	VTT01919	SCREW M6X10 UNI 7687-4.8	2 PZ
53	300243	VTT02063	SCREW M10X40 UNI5931-A2	4 PZ
54	300227	VTT02062	SCREW M8X25 UNI5931-A2	2 PZ
55	300050	VTT01357	SCREW M8X25 UNI 5931-8.8	3 PZ
60	470811	CTA7X1,5/EX-255	COMPLETE FEEDING ROUND CABLE	1 PZ
61	310504	FS01985	CLAMP 203X3,4 CL.F(PLT2I/M76 PANDUIT)	2 PZ
62	310503	FS01984	CLAMP D.20 (ART.50815 GEWIS)	1 PZ
69	350521	301S2208	INSULATING SHEATH VES25 20X120 (COVEME)	1 PZ
102	300878	RE0425	SPRING WASHER A 6 UNI1751-C70	1 PZ
112	470588	K4/135-269	LIFTING EYE	1 PZ
113	310264	RLS02408	WASHER	2 PZ
114	300069	VTT02412	SCREW M10X30 UNI5933 A2-70	2 PZ

